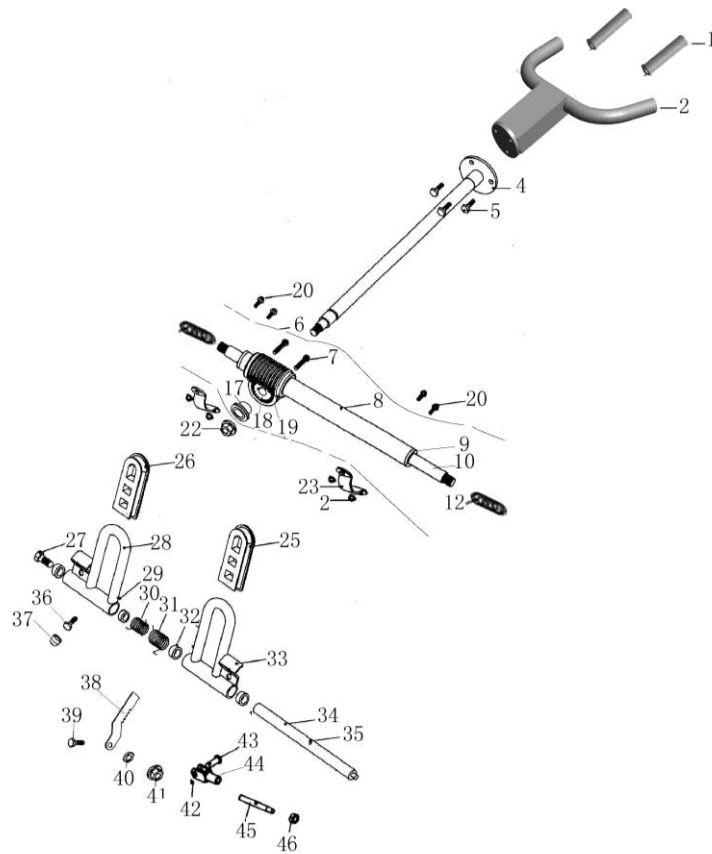




SUPER TRAXX200
PARTS MANUAL
2017-02-01

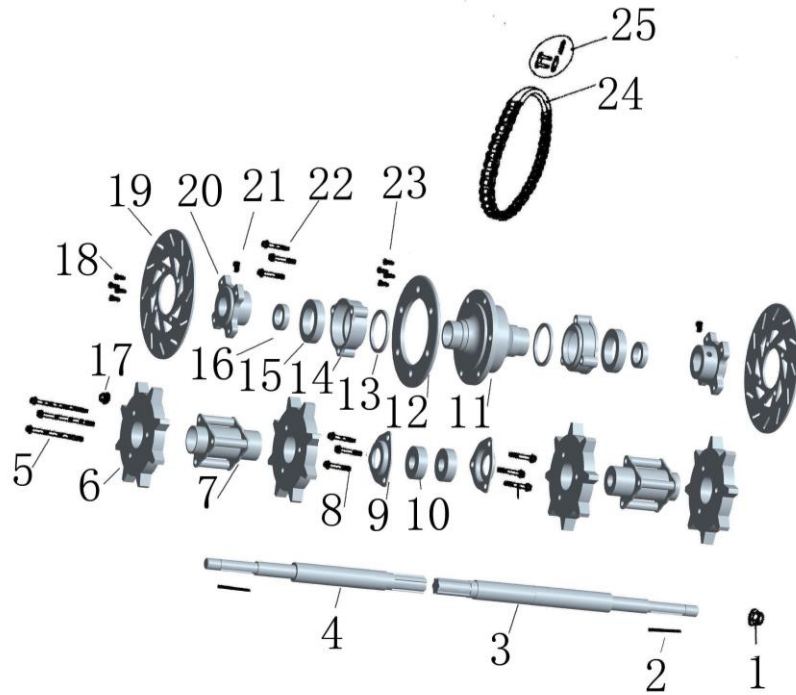
Fig 1: STEERING SHAFT ASSY



NO.	PART #	DESCRIPTION	QTY.
1	60122-80X	HAND GRIP	2
2	60120-80X-S	STEERING HANDLE BAR	1
4	40010-80X	STEERING-SHAFT	1
5	57830601610005	GB5783 BOLT M6 x16	3
6	4020000080G000	STEERING GEAR ASSY.	1
7	81800501410001	GB818 BOLT M5 x12	2
8	8010079-80X	CONNECTING PIPE	1
9	7010007080G000	STEERING GEAR BUSH	2
10	8010075-80X	STEERING AXLE GEAR	1
12	58108-80X	HAND BRAKE SPRING SEAT	2
18	8010131080G300	STEERING GEAR	1
19	4010001080G000	CONNECTING DEVICE, COVER	1
20	57870602010005	GB5787 BOLT M6 x20	4
22	61871000012502	LOCKING NUT M10*1.25	1
23	8020130080G000	STEERING GEAR BRACKET(R.S.B)	2
25	7020043080G000	BRAKE PEDAL PAD	1
26	7020044080G000	THROTTLE PEDAL PAD	1
27	70000801612505	GB70 BOLT M8X16	1
28	9500218080G000	THROTTLE PEDAL COMP	1
29	87910300160000	ROLL PIN ϕ 3 x 16	2

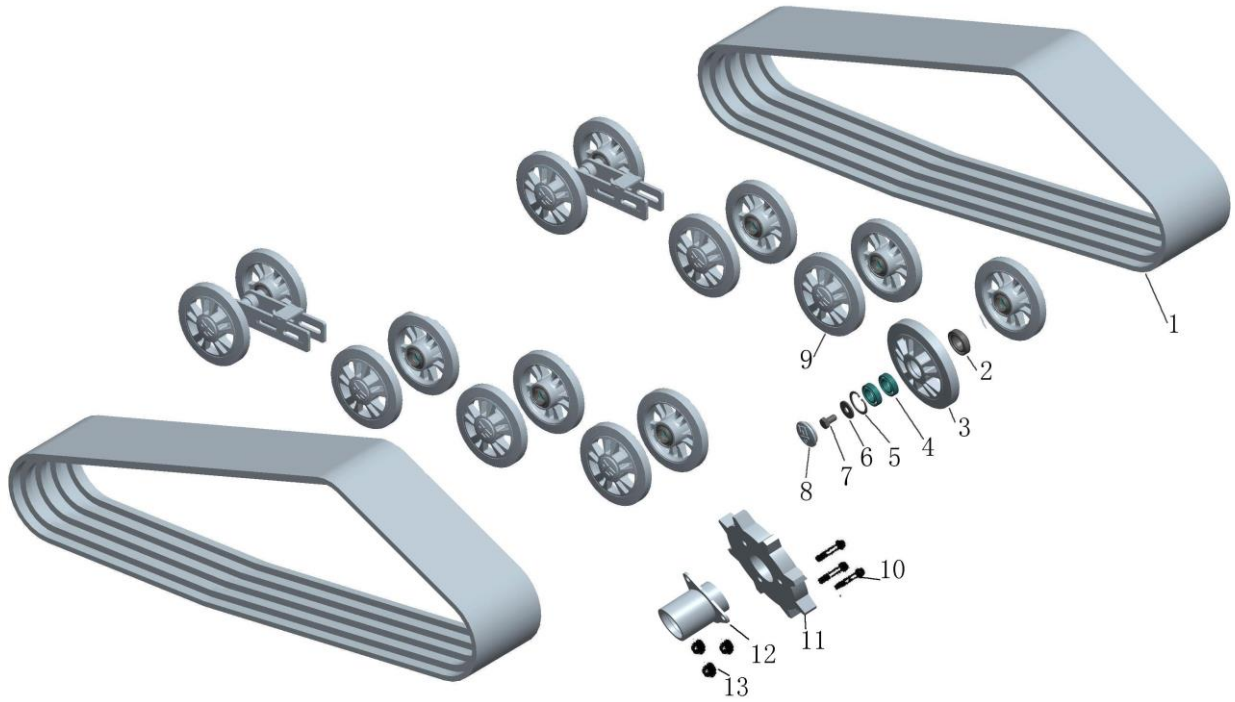
30	8040010080G000	THROTTLE PEDAL RETURN SPRING,L	1	
31	8040011080G000	BRAKE PEDAL RETURN SPRING,R	1	
32	7010003250G000	PEDAL BUSH	4	
33	4000044080G000	BRAKE PEDAL COMP.	1	
34	8010123080G000	PEDAL SHAFT	1	
35	87910300200000	ROLL PIN ϕ 3 x 20	1	
36	57820806512505	BOLT M8X65	1	
37	7010022080G000	THROTTLE PEDAL STOPPER	1	
38	8020209080G000	BRAKING PLATE	1	
39	57830801812502	GB5783 BOLT M8X18	1	
40	97000800000005	GB97 WASHER ϕ 8	1	
41	61700800012505	GB6170 NUT M8	2	
42	GB911503000002	COTTER PIN	1	
43	88200602800003	LOCKING ROLL PIN	1	
44	8020224080G000	CYIINDER ROD BRACKET	1	
45	6000306080G000	CYIINDER ROD	1	
46	61700600010001	GB6170 NUT M6	1	

Fig 2: REAR HOUSING



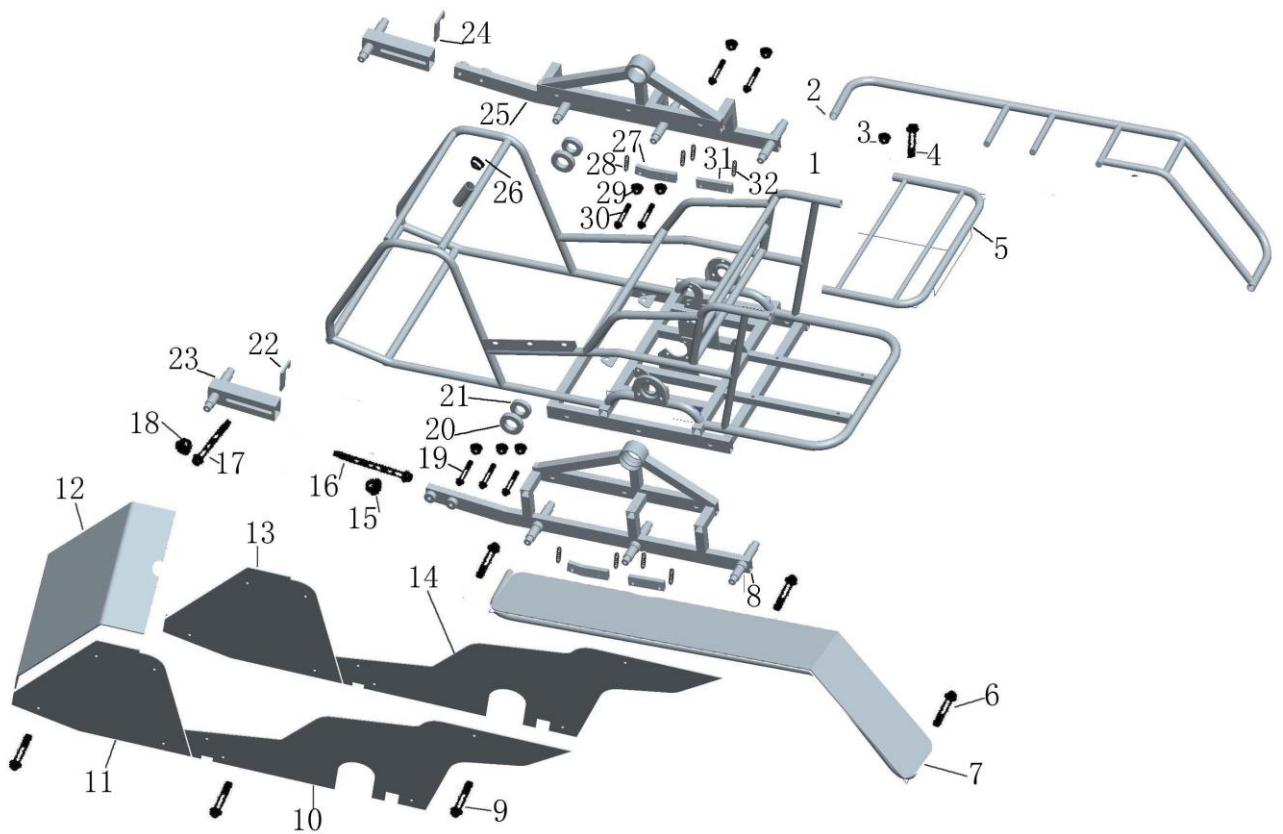
NO.	PART #	DESCRIPTION	QTY.	
1	94571600015005	CASTLE NUT M16X1.5	2	
2	PJ0505050	KEY 5X5-50	2	
3	60001-80XD-L	REAR AXLE (LONG)	1	
4	60001-80XD-D	REAR AXLE (SHORT)	1	
5	57890807512505	GB5789 M8X75	6	
6	54002-80X	TRACK DRIVING WHEEL	4	
7	54030-80X	DRIVING WHEEL BASE	2	
8	57890801612505	FLANGE BOLT M8 x1.25x16	6	
9	8.020.115	AXLE COVER	2	
10	62042RS0000000	BEARING 6204	2	
11	60110-80X	DIFFERENTIAL BOX	1	
12	60003-80X	REAR SPROCKET 38T	1	
13	60103-80X	BEARING SPACER	2	
14	8030008150G100	BEARING BASE	2	
15	69082RS0000000	BEARING 6908	2	
16	60052RS0000000	BEARING 6005	2	
17	61870800012505	NUT GB6187 M8	6	
18	70000802012505	FLANGE BOLT M8x20	8	
19	8010201080G000	DISC BRAKE,RR	2	
20	60002-80X	REAR AXLE HUB	2	
21	9110020080G000	BOLT M10x1.25x25	1	
22	57890802012505	GB5789 M8X20	6	
23	57891002012505	GB5789 M10X1.25X20	6	
24	7060016080G000	DRIVE CHAIN 420	1	
25	6000324080G000	MASTER LINK	1	

Fig 3 DRIVING SYSTEM



NO.	PART #	DESCRIPTION	QTY.	
1	60006-80X	TRACK BELT	2	
2	YF254210	OIL SEAL 42X25-10	16	
3	TR-S010-28-00	GUIDING WHEEL (SMALL)	4	
4	ZC-6004	BEARING 6004	32	
5	8941-37	SNAP RING $\phi 37$	16	
6	93001000000005	GB93 WASHER $\phi 10$	16	
7	57831002012505	GB5783 M10X1.25X20	16	
8	TR-D032-44-00	WHEEL COVER	12	
9	TR-S009-12-00	GUIDING WHEEL (LARGE)	8	
10	57890803012505	GB5789 M8x30	12	
11	54002-80X	TRACK DRIVING WHEEL	4	
12	54040-80X	GUIDING WHEEL BASE	4	
13	61870800012505	NUT M8	12	

Fig 4 FRAME COMP.



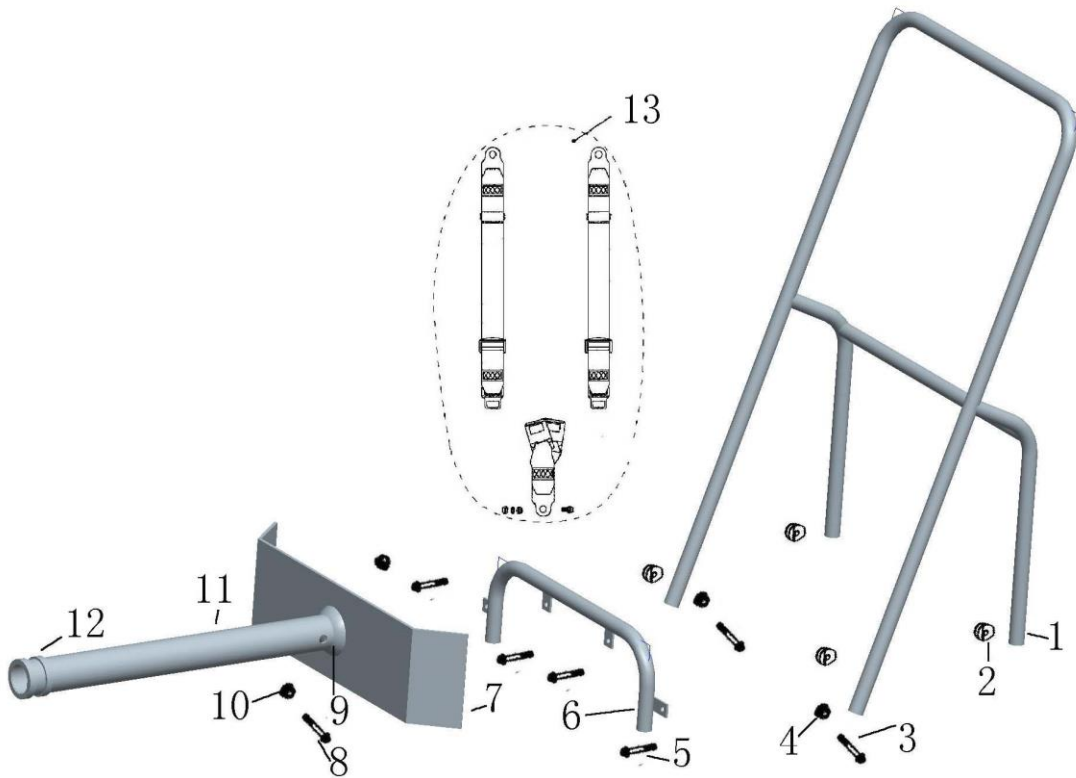
NO.	PART NO.	DESCRIPTION	QTY.
1	57100-80X	FRAME	1
2	58010-80X	TRACK PROTECTION R	1
3	61870600012505	GB6187 M6 NUT	2
4	57890603512505	GB5789 M6X35 BOLT	2
5	58030-80X	REAR PROTECTION	1
6	57890802012505	GB5789 M8X20 BOLT	10
7	58020-80X	TRACK PROTECTION PLATE L	1
8	58060-80X	LEFT TRACK MOUNT	1
9	57870602010005	GB5787 M6X20	28
10	58001-80X	LEFT REAR PROTECTION PLATE	1
11	58002-80X	LEFT FRONT PROTECTION PLATE	1
12	58003-80X	FRONT SHIELD	1
13	58004-80X	RIGHT FRONT PROTECTION PLATE	1
14	58006-80X	RIGHT REAR PROTECTION PLATE	1
15	61701000012501	GB6170 M10X1.25 NUT	4
16	57831010012505	GB5783 M10X1.25X100 BOLT	2
17	57891007012505	GB5789 M10*1.25-70 BOLT	4
18	61871000012505	GB6187 M10X1.25 NUT	10
19	57891005512505	GB5789 M10*1.25-55 BOLT	6
20	ZC-6007	BEARING 6007	2
21	ZC-6006	BEARING 6006	2

22	54050-80X	TRACK ADJUSTING DEVICE PROTECTION L	1	
23	54010-80X	TRACK ADJUSTING DEVICE	2	
24	54060-80X	TRACK ADJUSTING DEVICE PROTECTION R	1	
25	58070-80X	RIGHT TRACK MOUNT	1	
26	7010006150G000	STEERING SHAFT BUSHING	1	
27	54018-80X	FRONT GUIDING PANEL	2	
28	57019-80X	GUIDING PANEL SPRING	2	
29	58007-80X	BOLT M6X11	8	
30	58008-80X	M6 NUT; M8X30 BOLT	8	
31	54015-80X	GUIDING PANEL	2	
32	8040004150G000	HAND BRAKE SPRING	6	

Fig 5 BRAKING SYTEM AND STEERING CONTROL

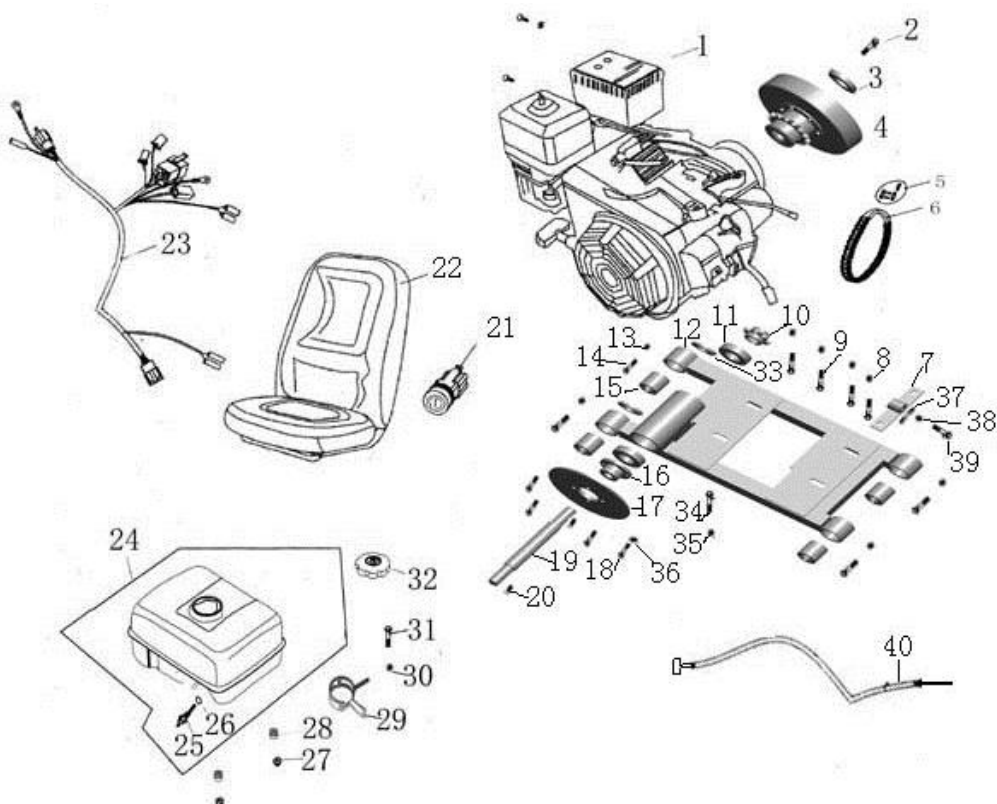
NO.	PART NO.	DESCRIPTION	QTY.	
1	BRAKING SYTEM-ST	BRAKING SYTEM ASSY.	1	
2	STEERING CONTROL-ST	STEERING CONTROL ASSY.	1	

Fig 6 ACCESORIES



NO.	PART NO.	DESCRIPTION	QTY.
1	52010-80X	ROLL CAGE	1
2	8010047250G000	R- WASHER	8
3	57870805012505	GB5787 BOLT M8x50	2
4	61870800012505	GB6187 NUT M8	4
5	57870602010005	GB5787 BOLT M8x20	4
6	52020-80X	DUMMY CANNON BRACKET	1
7	52041-80X	DUMMY CANNON MOUNTING	1
8	57870602010005	GB5787 BOLT M8x20	2
9	52030-80X	DUMMY CANNON SEAT	1
10	97000800000005	GB97 WASHER φ8	1
11	52042-80X	DUMMY CANNON	1
12	52043-80X	DUMMY CANNON HEAD	1
13	61000-80X	SAFETY BELT	1

FIG7 WIRE HARNESS/ELECTRICAL/SEAT/ENGINE



NO.	PART NO.	DESCRIPTION	QTY.
1	10000-80X	ENGINE COMP.(WITH GEARBOX)	1
2	57870802010005	BOLT M8X20	1
3	SM-WASHER	WASHER	1
4	11000-80X	CLUTCH	1
5	420-CHAIN	420 CHAIN	1
6	6000324080G00	MASTER LINK	1
7	58040-80X	ENGINE ADJUSTING PANEL	1
8	61870800010005	GB6187 M8 NUT	4
9	57870804510005	GB5787 M8X45 BOLT	4
10	8.011.077-80	10Z 420 SPROCKET	2
11	ZC-6004	BEARING 6004	2
12	58040-80X-P	ENGINE MOUNT PLATE	1
13	61870800010005	GB6187 NUT M8	4
14	57870505510005	GB5787 M8X55	4
15	7020077080G000	BUSHING, SWING ARM ISOLATOR	4
16	10250-DK80	SPROCKET MOUNT SEAT	1
17	420-35-SPROCKET	420-35-SPROCKET	1
18	70000801412505	GB70 BOLT M8X14	4
19	58045-80X	DRIVE SHAFT	1
20	PJ0505020	KEY 5x5-20	2
21	6000159250G000	ENGINE STOP BUTTON	1
22	51000-80X	SEAT	1

23	6000313080G000	WIRE HARNESS	1	
24	4000030080G000	FUEL TANK COMP	1	
25	168N080080G000	FUEL TANK JOINT	1	
26	168N090080G000	O-RING(14mm)	1	
27	61870600010005	NUT M6	2	
28	5000100080G000	00A RUBBER MOUNT	2	
29	621A0800000000	OIL TUBE CLIP φ8	1	
30	93000600000005	GB93 SPRING WASHER φ6	1	
31	57870603010005	GB5787 M6X30 BOLT	1	
32	6000145080G000	FUEL FILLER CAP COMP	1	
33	96001000000005	GB97 WASHER φ10	4	
34	57831010012505	GB5783 BOTL M10X1.25-100	1	
35	61701000012501	GB6170 NUT M10X1.25	1	
36	93000800000005	GB93 SPRING WASHER φ8	4	
37	96000800000005	GB97 WASHER φ8	1	
38	61700800012501	GB6170 NUT M8	1	
39	57830807012505	GB5783 BOLT M8X70	1	
40	60120-80X-T	THROTTLE CABLE	1	