



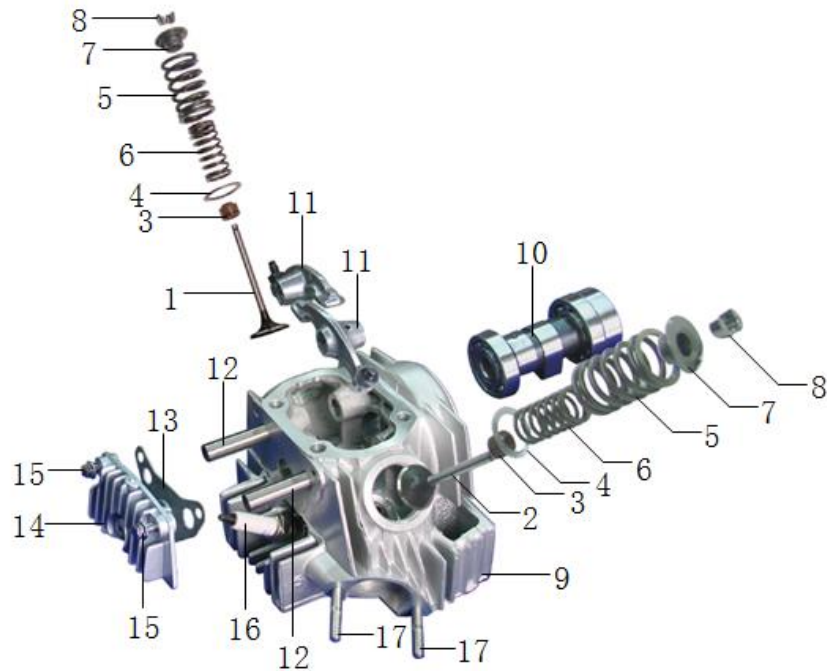
***TrailMaster* Go-Kart**

110 XRX

PARTS MANUAL

Fig 1

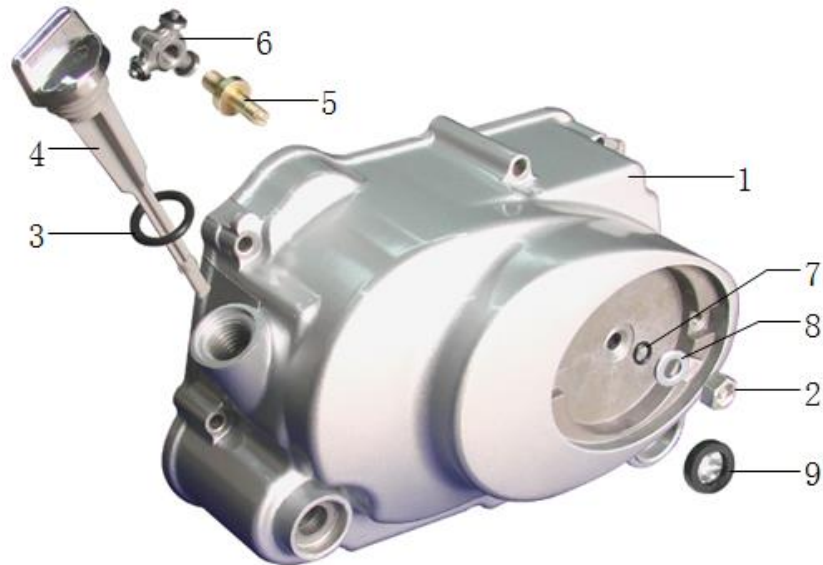
CYLINDER



REF. No.	Part No.	DESCRIPTION	Q'TY
1	104301	VALVE,INTAKE	1
2	104302	VALVE,EXHAUST	1
3	104310	OIL RETAINER	2
4	104306	SPRING BASE,OUTER VALVE	2
5	104304	SPRING,OUTER VALVE	2
6	104303	SPRING,INNER VALVE	2
7	104307	VALVE-SPRING RETAINER	2
8	104308	VALVE COLLET	4
9	102240	CYLINDER HEAD	1
10	104130	CAMSHAFT	1
11	104410	VALVE ROCKER	2
12	104411	SHAFT,VALVE ROCKER	2
13	102206	SEAL SPACER,CYLINDER HEAD,R	1
14	102290	COVER,CYLINDER HEAD,R	1
15	116101-003	BOLT M6X20	2
16	102250	SPARK PLUG	1
17	102222	BOLT,EXHAUST PIPE	2

Fig 2

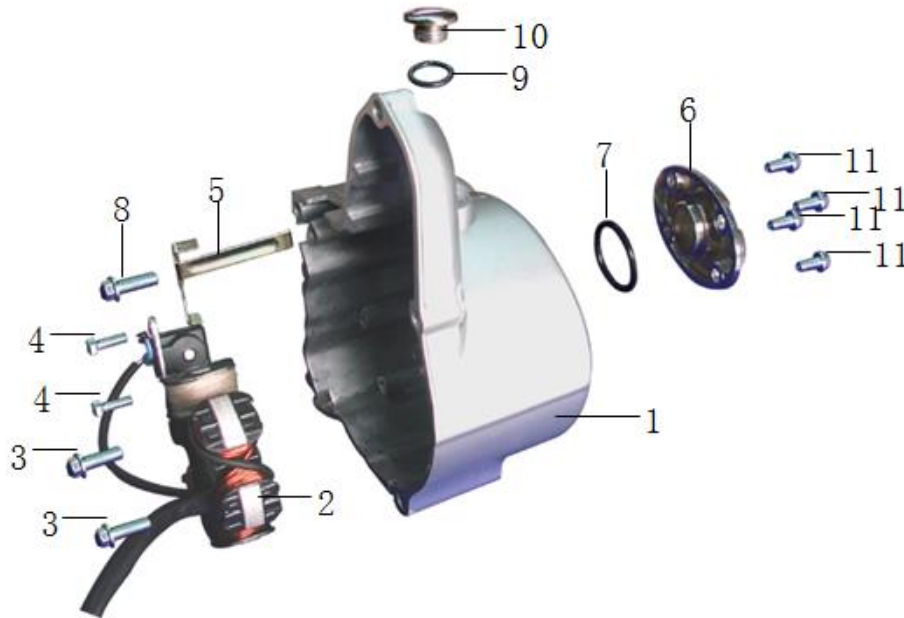
CRANKCASE COVER, R



REF. No.	Part No.	DESCRIPTION	Q'TY
1	101401	CRANKCASE COVER,R	1
2	106308	ADJUSTMENT NUT M8	1
3	101442	O-RING $\phi 18 \times 3$	1
4	101441	OIL GAGE	1
5	106307	BOLT M8	1
6	106330	TAPPET	1
7	106309	O-RING $\phi 8 \times 1.8$	1
8	106311	FLAT WANSHER $\phi 8$	1

Fig 3

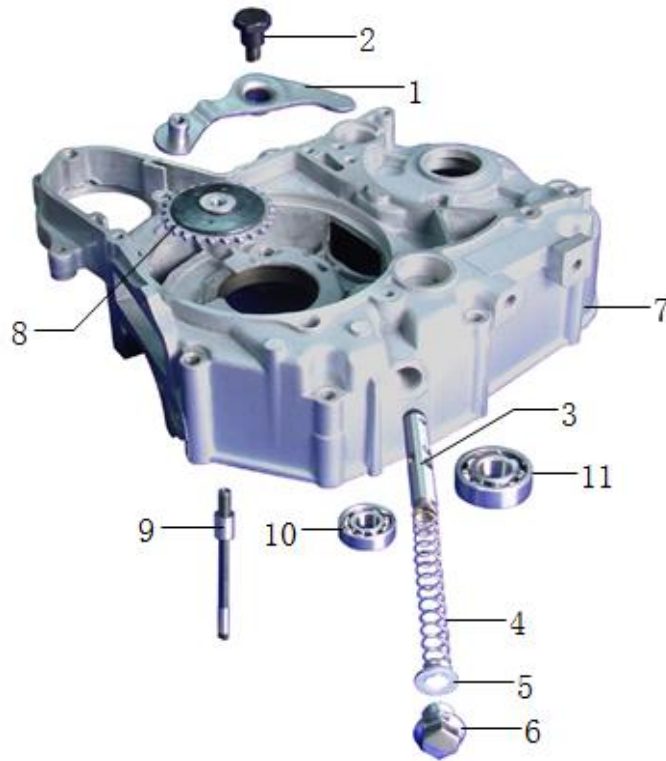
CRANKCASE COVER, L



REF. No.	Part No.	DESCRIPTION	Q'TY
1	101301	CRANKCASE COVER,L	1
2	111200	MAGNETO STATOR	1
3	116101-043	BOLT M6X16	2
4	116102-004	BOLT M5X16	2
5	101309	TENSION DISC	1
6	101316	INSPECTION PLATE 1	1
7	101312	INSPECTION O-RING 27.4×2.4	1
8	116102-020	BOLT M6X16	1
9	101313	INSPECTION O-RING 13.8×2.5	1
10	101307	INSPECTION PLATE 2	1
11	101301	BOLT M6X12	4

Fig 4

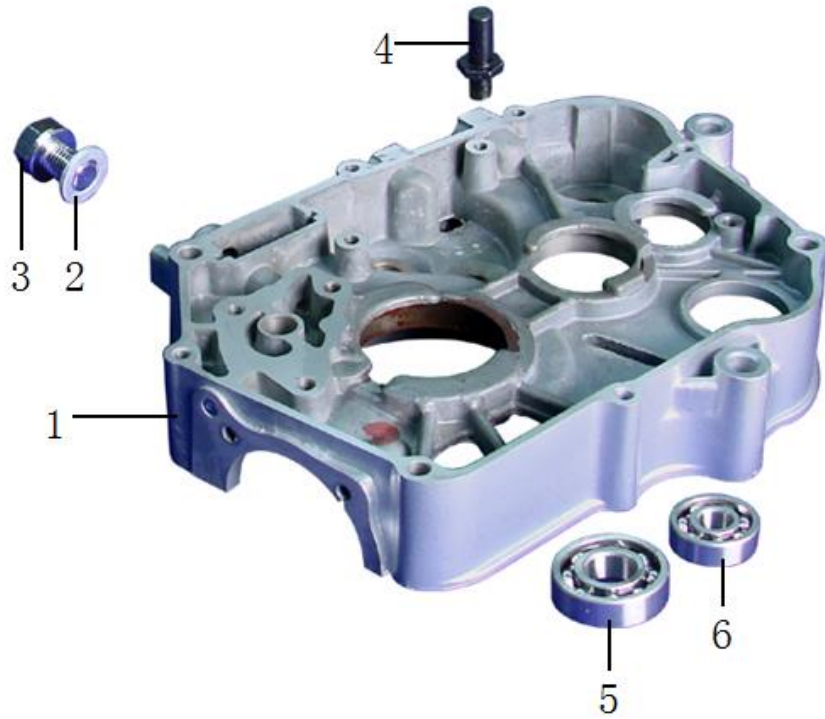
CRANKCASE, L



REF. No.	Part No.	DESCRIPTION	Q'TY
1	104220	ARM,CHAIN TENSIONING	1
2	104208	ARM PIN,CHAIN TENSIONING	1
3	104230	ROD,CHAIN TENSIONING	1
4	104203	ROD SPRING,CHAIN TENSIONING	1
5	104224	WASHER,SEAL BOLT	1
6	104223	SEAL BOLT	1
7	101140	CRANKCASE ASSY.,L	1
8	105120	DRIVEN SPROCKET,OIL PUMP	1
9	105102	SPROCKET SHAFT,OIL PUMP	1
10	116210-002	BEARING 6001	1
11	116210-005	BEARING 6203	1

Fig 5

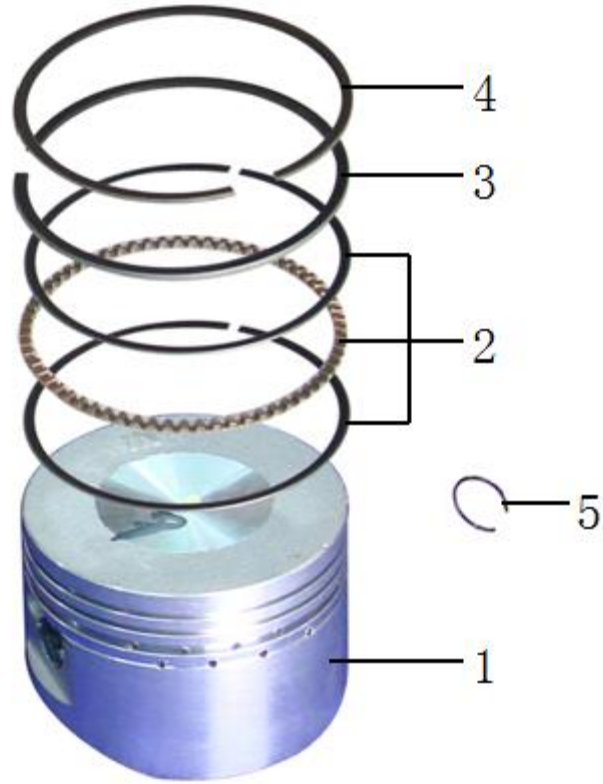
CRANKCASE,R



REF. No.	Part No.	DESCRIPTION	Q'TY
1	101220	CRANKCASE ASSY.,R	1
2	101121	WASHER, DRAIN PLUG	1
3	101119	DRAIN PLUG	1
4	108201	BOLT,SHIFTING POSITION	1
5	116210-005	BEARING 6203	1
6	116210-003	BEARING 6201	1

Fig 6

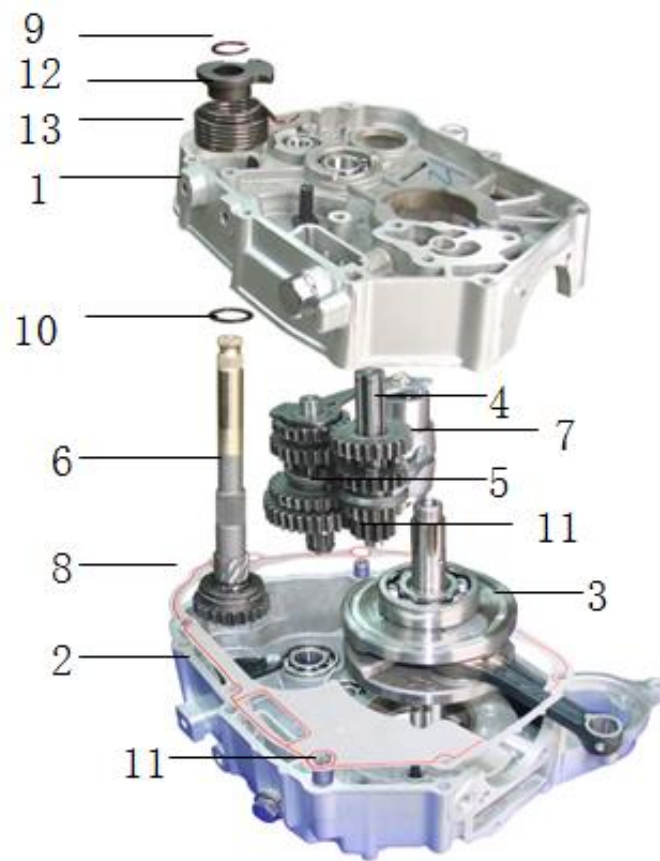
PISTON



REF. No.	Part No.	DESCRIPTION	Q'TY
1	103101	PISTON	1
2	103110	PISTON RING	1
3	103105	FIRST RING	1
4	103104	SECOND RING	1
5	103103	CIRCLIP, PISTON PIN	1

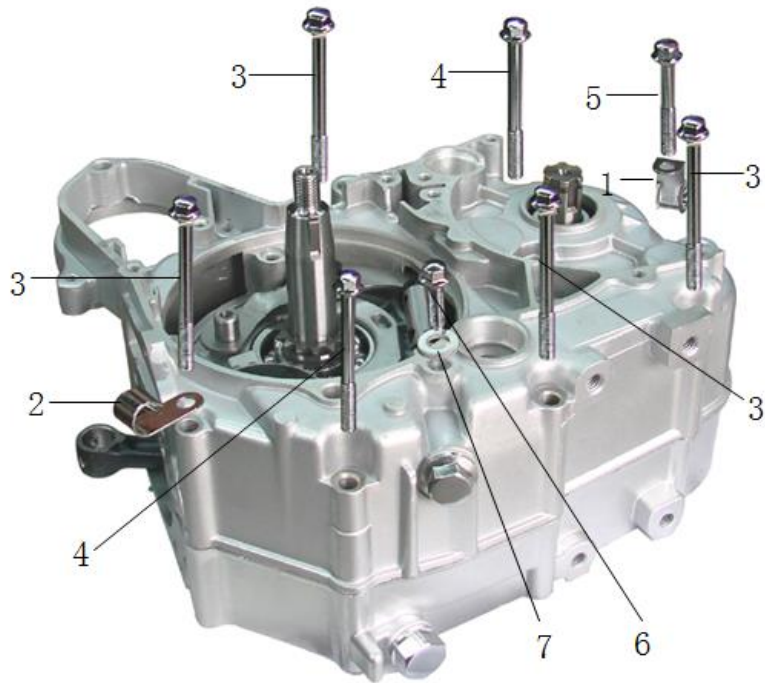
Fig 7

CRANKCASE ASSY.



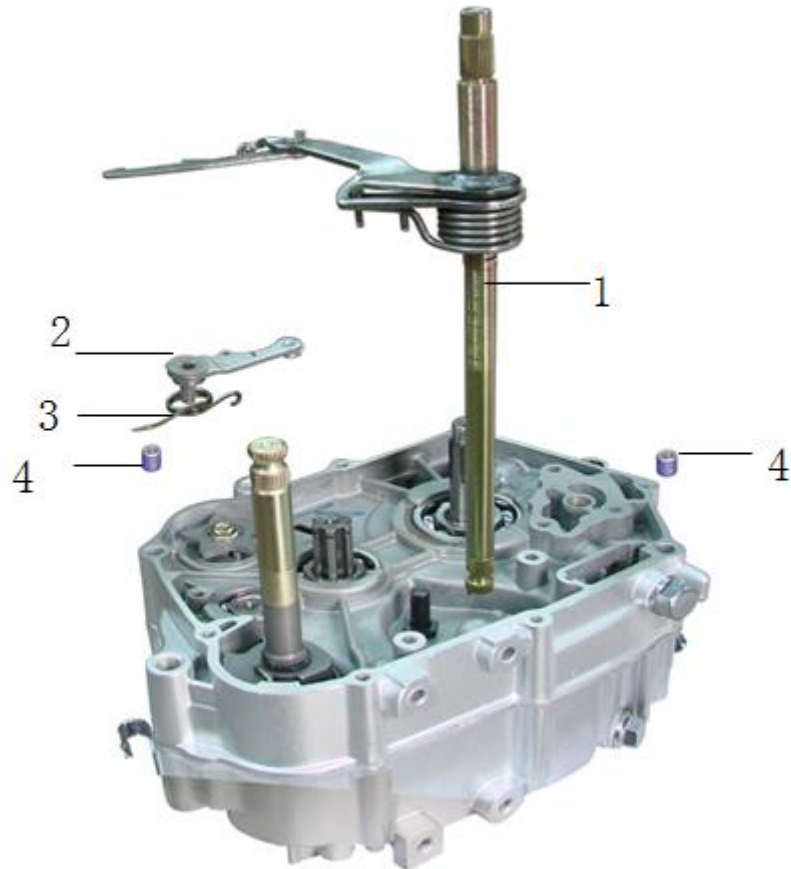
REF. No.	Part No.	DESCRIPTION	Q'TY
1	101200	CRANKCASE PART,R	1
2	101100	CRANKCASE PART,L	1
3	103200	ROD,CRANK CONNECTING	1
4	107100	MIANSHAFT	1
5	107200	COUNTERSHAFT	1
6	109300	STARTING SHAFT	1
7	108100	TRANSMISSION DRUM	1
8	101101	CRANKCASE SEAL,L	1
9	109313-003	SNAP RING ϕ 12	1
10	109313-002	SHAFT GASKET	1
11	116108-011	PIN ϕ 10 \times 14	2
12	109308	SEAT,STARTING SPRING	1
13	109304	STARTING SPRING	1

Fig 8



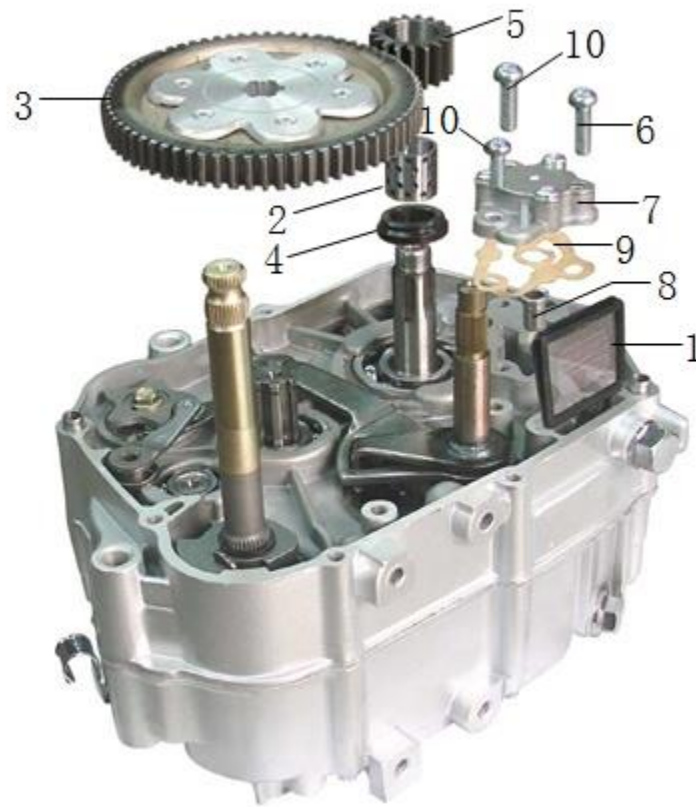
REF. No.	Part No.	DESCRIPTION	Q'TY
1	101205	PIPE CLAMP, VENTILATION	1
2	101114	PIPE CLAMP, OVER-FLOW	1
3	116101-013	BOLT M6X65	4
4	116101-012	BOLT M6X60	2
5	116101-011	BOLT M6X50	1
6	116101-002	BOLT M6X14	1
7	102221	IRON WASHER $\phi 6$	1

Fig 9



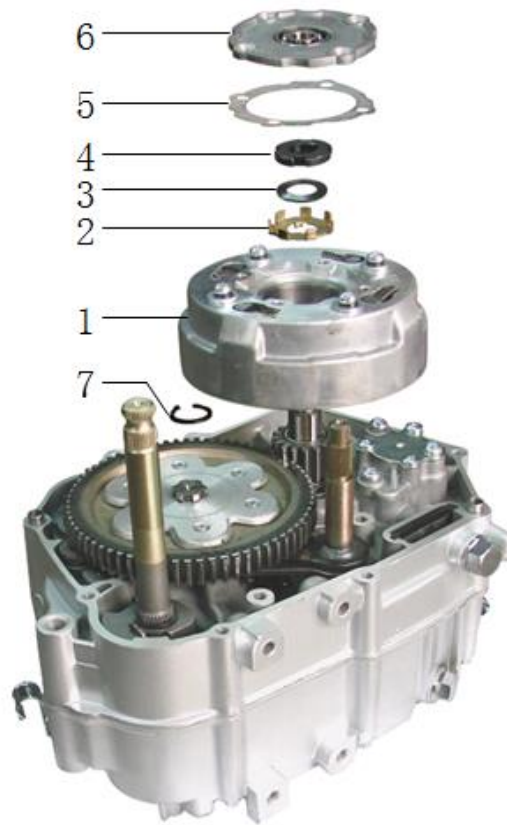
REF. No.	Part No.	DESCRIPTION	Q'TY
1	108210	SHAFT,SHIFTING GEAR	1
2	108130	GUIDE PLATE	1
3	108101	SPRING,GUIDE PLATE	1
4	116108-007	PIN ϕ 8 \times 12	2

Fig 10



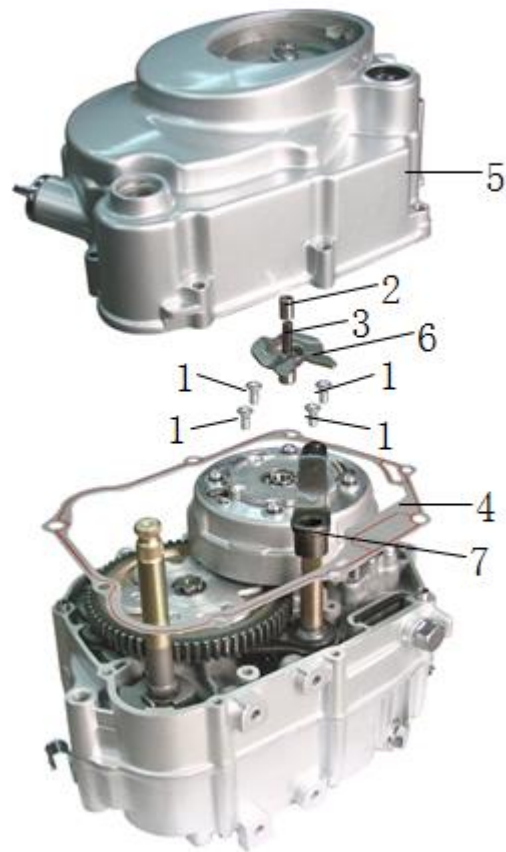
REF. No.	Part No.	DESCRIPTION	Q'TY
1	101130	GEAR OIL FILTER	1
2	106002	DRIVING GEAR SLEEVE	1
3	106020	DRIVEN GEAR ASSY.	1
4	106101	CLUTCH COLLAR	1
5	106001	DRIVING GEAR	1
6	116105-009	BOLT M6X22	1
7	105110	OIL PUMP	1
8	105103	SHAFT SLEEVE,OIL PUMP SPROCKET	1
9	105104	SEAL,OIL PUMP	2
10	116105-008	BOLT M6X16	2

Fig 11



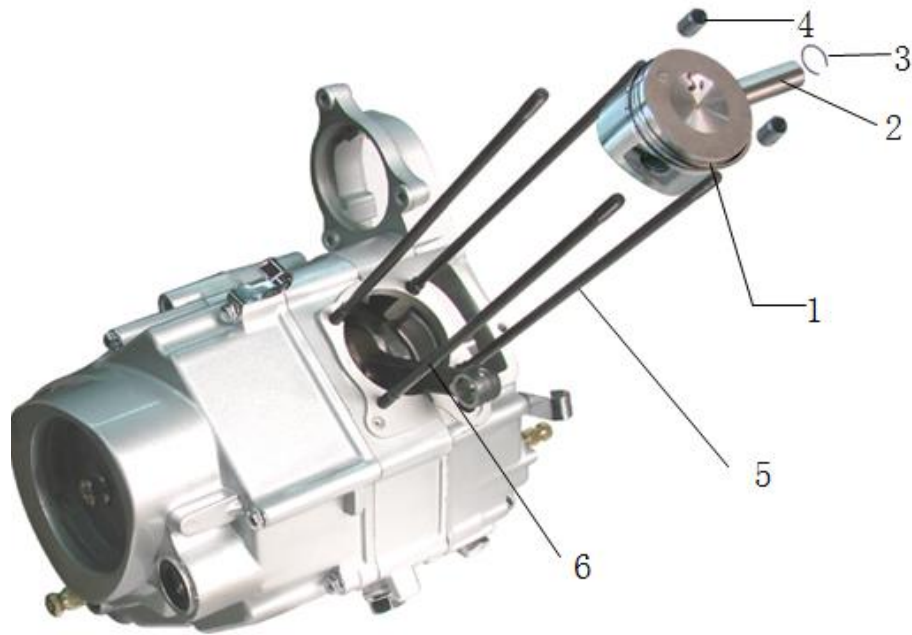
REF. No.	Part No.	DESCRIPTION	Q'TY
1	106200	CLUTCH BODY	1
2	106102	RETAINING WASHER	1
3	106112	BUTTERFLY WASHER	1
4	106111	ROUND NUT	1
5	106109	SEAL, END CAP	1
6	106108	END CAP, CLUTCH	1
7	106104	SNAP RING ϕ 17	1

Fig 12



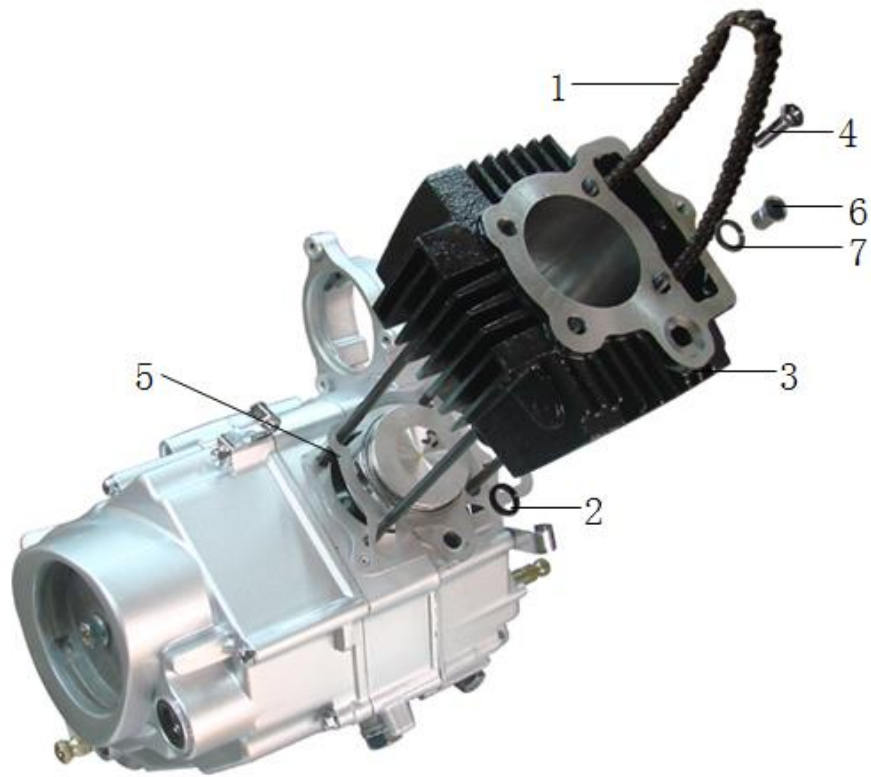
REF. No.	Part No.	DESCRIPTION	Q'TY
1	116106-001	BOLT M5X12	4
2	106105	TUBE,OIL FLOW	2
3	106106	TUBE SPRING,OIL FLOW	1
4	101403	SEAL SPACER,CRANKCASE COVER,R	1
5	101401	CRANKCASE COVER,R	1
6	106130	CAM DISC	1
7	108230	SHIFTING LEVER	1

Fig 13



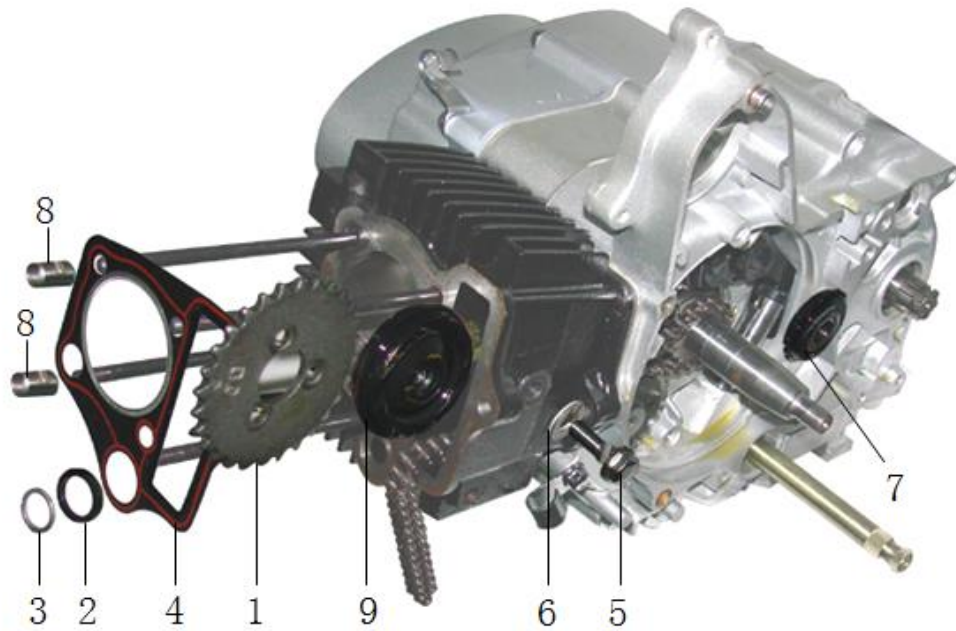
REF. No.	Part No.	DESCRIPTION	Q'TY
1	103100	PISTON	1
2	103102	PISTON PIN	1
3	103103	CIRCLIP, PISTON PIN	1
4	116108-007	PIN ϕ 8 \times 12	2
5	101103	STUD A	2
6	101104	STUD B	2

Fig 14



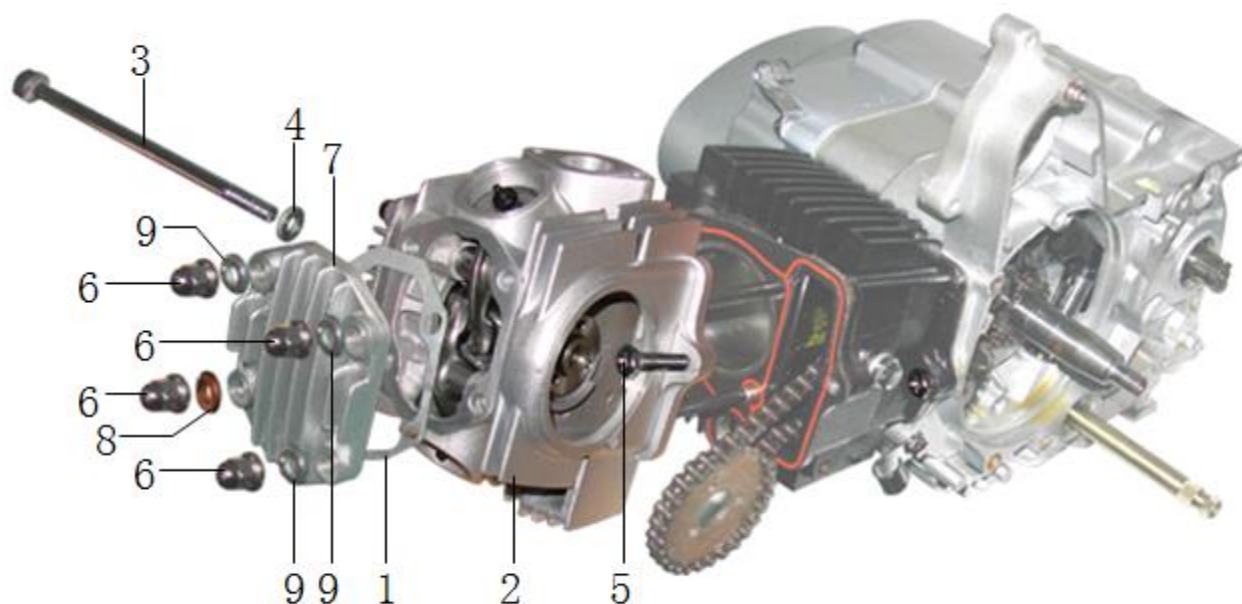
REF. No.	Part No.	DESCRIPTION	Q'TY
1	104150	TIMING CHAIN	1
2	102104	SEAL $\phi 11.5 \times \phi 14.7 \times 1.5$	1
3	102100	CYLINDER BODY	1
4	102217-004	BOLT M6X23	1
5	102108	SEAL SPACER, CYLINDER BODY	1
6	102107	BUSHING	1
7	102105	SEAL $\phi 9 \times \phi 11.7 \times 1.5$	1

Fig 15



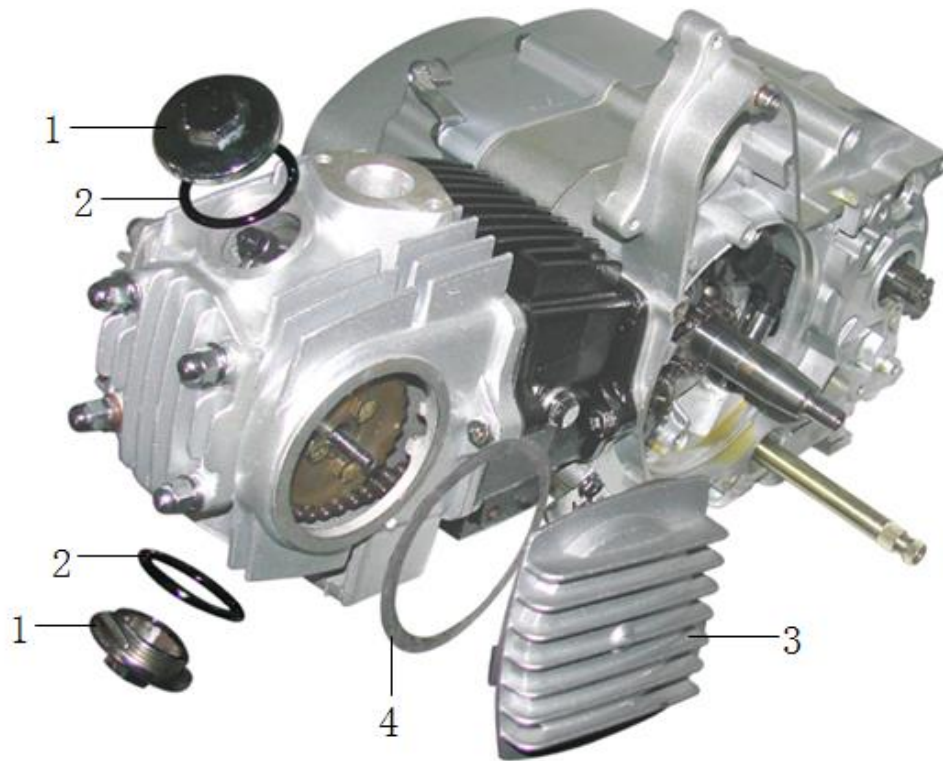
REF. No.	Part No.	DESCRIPTION	Q'TY
1	104101	DRIVEN SPROCKET,TIMING	1
2	102103	SEAL $\phi 14.5 \times \phi 18.5 \times 2.4$	1
3	102106	BUSHING $\phi 11.5$	1
4	102230	SEAL SPACER, CYLINDER HEAD	1
5	104206	CHAIN GUIDE ROLLER SHAFT	1
6	104207	WANSHER $\phi 8$,	1
7	104204	ROLLER,CHAIN TENSIONING	1
8	116108-011	PIN $\phi 8 \times 14$	2
9	10205	ROLLER,CHAIN GUIDING	1

Fig 16



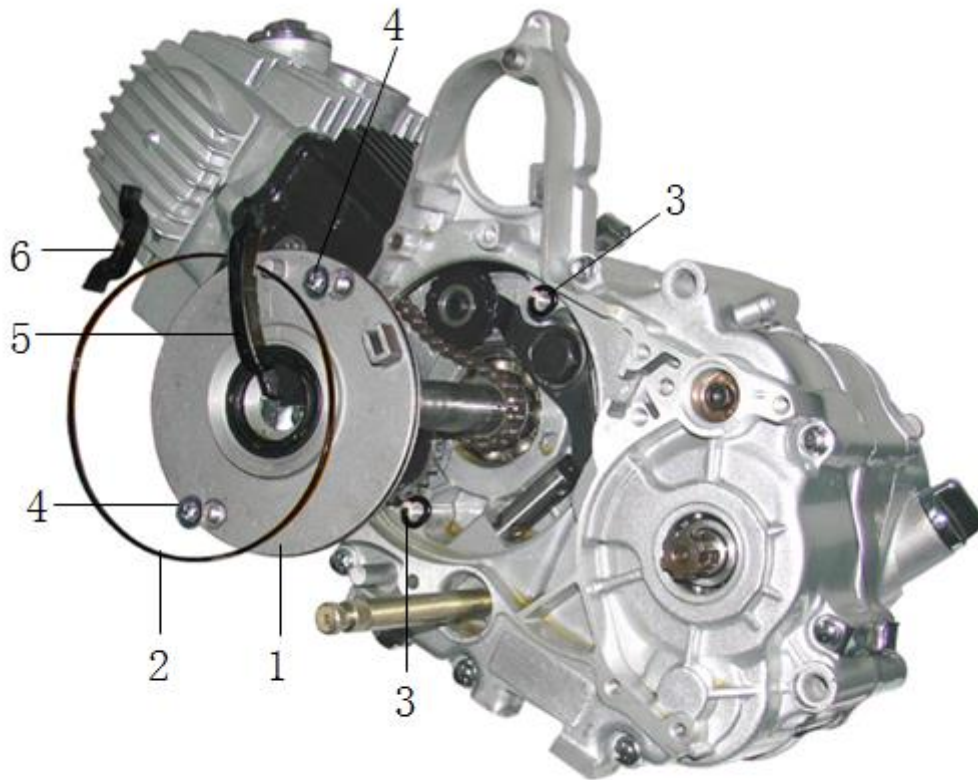
REF. No.	Part No.	DESCRIPTION	Q'TY
1	102202	SEAL SPACER,CYLINDER HEAD COVER	1
2	102200	CYLINDER HEAD PART	1
3	102223	BOLT M6X110,CYLINDER HEAD,L	1
4	102224	WASHER $\phi 6$,CYLINDER HEAD,L	1
5	102217-004	BOLT M6X23	1
6	102218	ACORN NUT M6	4
7	102201	CYLINDER HEAD COVER	1
8	102219	COPPER WASHER $\phi 6$	1
9	102221	IRON WASHER $\phi 6$	3
10	104102	TIMING BOLT M5X12	3

Fig 17



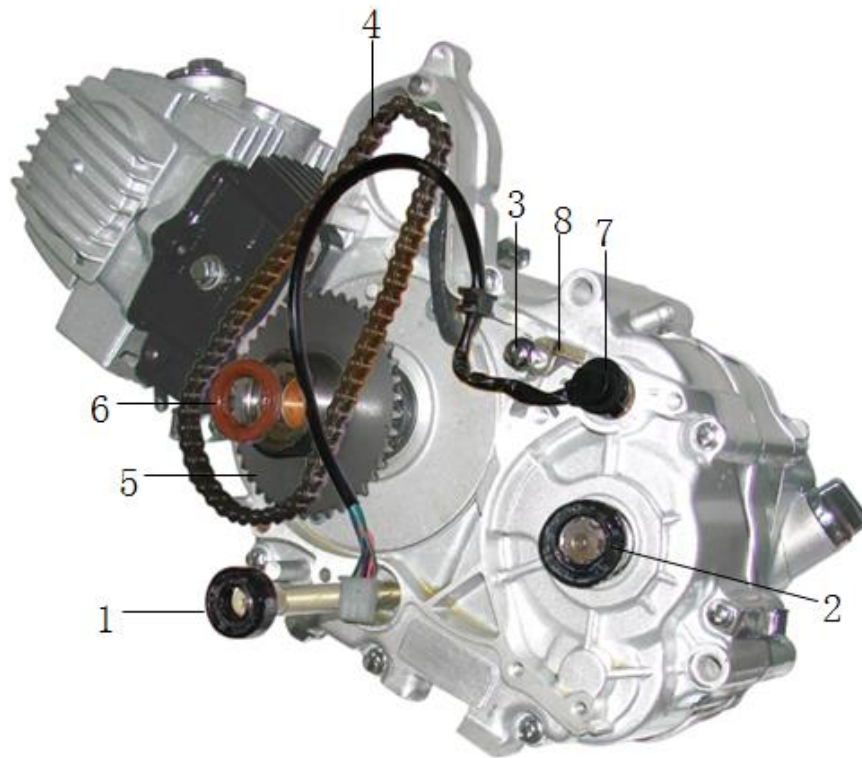
REF. No.	Part No.	DESCRIPTION	Q'TY
1	102207	VALVE COVER	2
2	102208	O-RING, VALVE COVER	2
3	102203	COVER,CYLINDER HEAD,L	1
4	102204	SEAL SPACER,CYLINDER HEAD,L	1

Fig 18



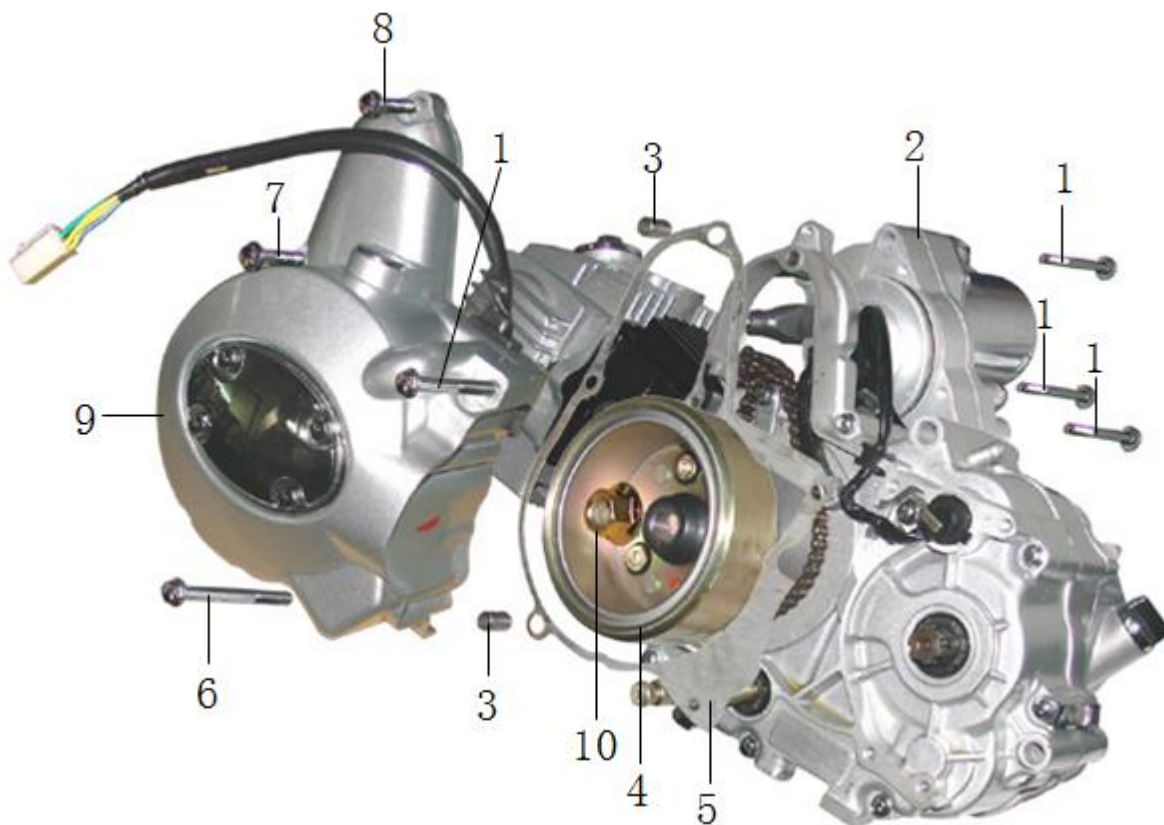
REF. No.	Part No.	DESCRIPTION	Q'TY
1	101105	SEAL PAN	1
2	101106	O-RING $\phi 107 \times 2$, SEAL PIN	1
3	101124	O-RING $\phi 5.8 \times 1.9$, SEAL PIN BOLT	2
4	116106-002	BOLT M6X16	2
5	104202	GUIDE PLATE, CHAIN	1
6	104201	TENSIONING PLATE, CHAIN	1

Fig 19



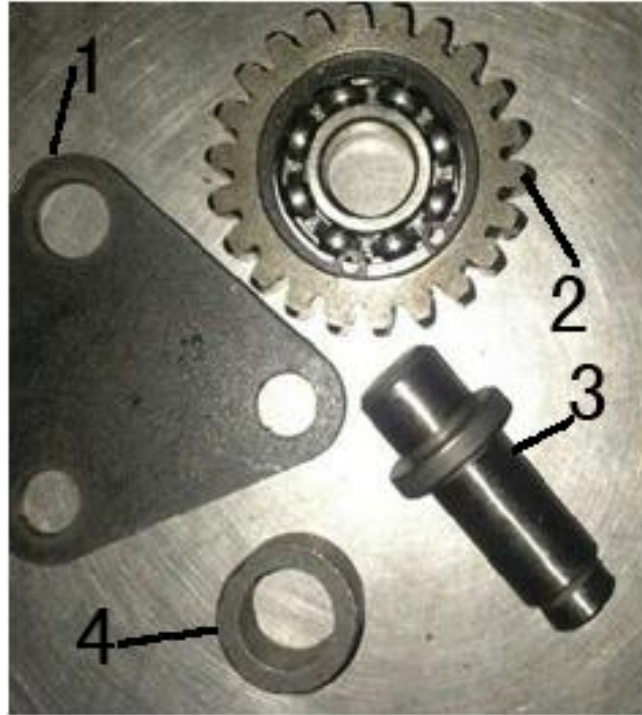
REF. No.	Part No.	DESCRIPTION	Q'TY
1	108240	OIL SEAL ϕ 11.6 \times ϕ 24 \times 10, SELECTOR SHAFT	1
2	107230	OIL SEAL ϕ 29 \times ϕ 17 \times 5,COUNTERSHAFT	1
3	116101-001	BOLT M6X12	1
4	109240	DRIVING CHAIN	1
5	109210	DRIVING SPROKET	1
6	109250	OIL SEAL ϕ 30 \times ϕ 18.9 \times 5, DRIVING SPROKET	1
7	113200	GEAR INDICATOR	1
8	113206	SWITCH PLATE	1

Fig 20



REF. No.	Part No.	DESCRIPTION	Q'TY
1	116101-011	BOLT M6X50	4
2	112000	STARTER MOTOR	1
3	116108-007	PIN ϕ 8 \times 12	2
4	111100	ROTOR	1
5	101304	SEAL SPACER,CRANKCASE COVER,L	1
6	116102-013	BOLT M6X65	1
7	116101-007	BOLT M6X32	1
8	116101-006	BOLT M6X28	1
9	101300	CRANKCASE COVER,L	1
10	103208	NUT M10	1

Fig 21



REF. No.	Part No.	DESCRIPTION	Q'TY
1	118001	PLATE, IDLER GEAR	1
2	118002	IDLER GEAR	1
3	118003	SHAFT, IDLER GEAR	1
4	118004	SHAFT SLEEVE, IDLER GEAR	1

Fig 22



REF. No.	Part No.	DESCRIPTION	Q'TY
1	121001	GB5783 M6X25	4
2	121002	CARBURETOR TUBE #67	1
3	121003	PAPER WASHER,CARBURETOR TUBE	1
4	121004	BAKELITE MAT,CARBURETOR TUBE	1
5	121005	O-RING,BAKELITE MAT	1

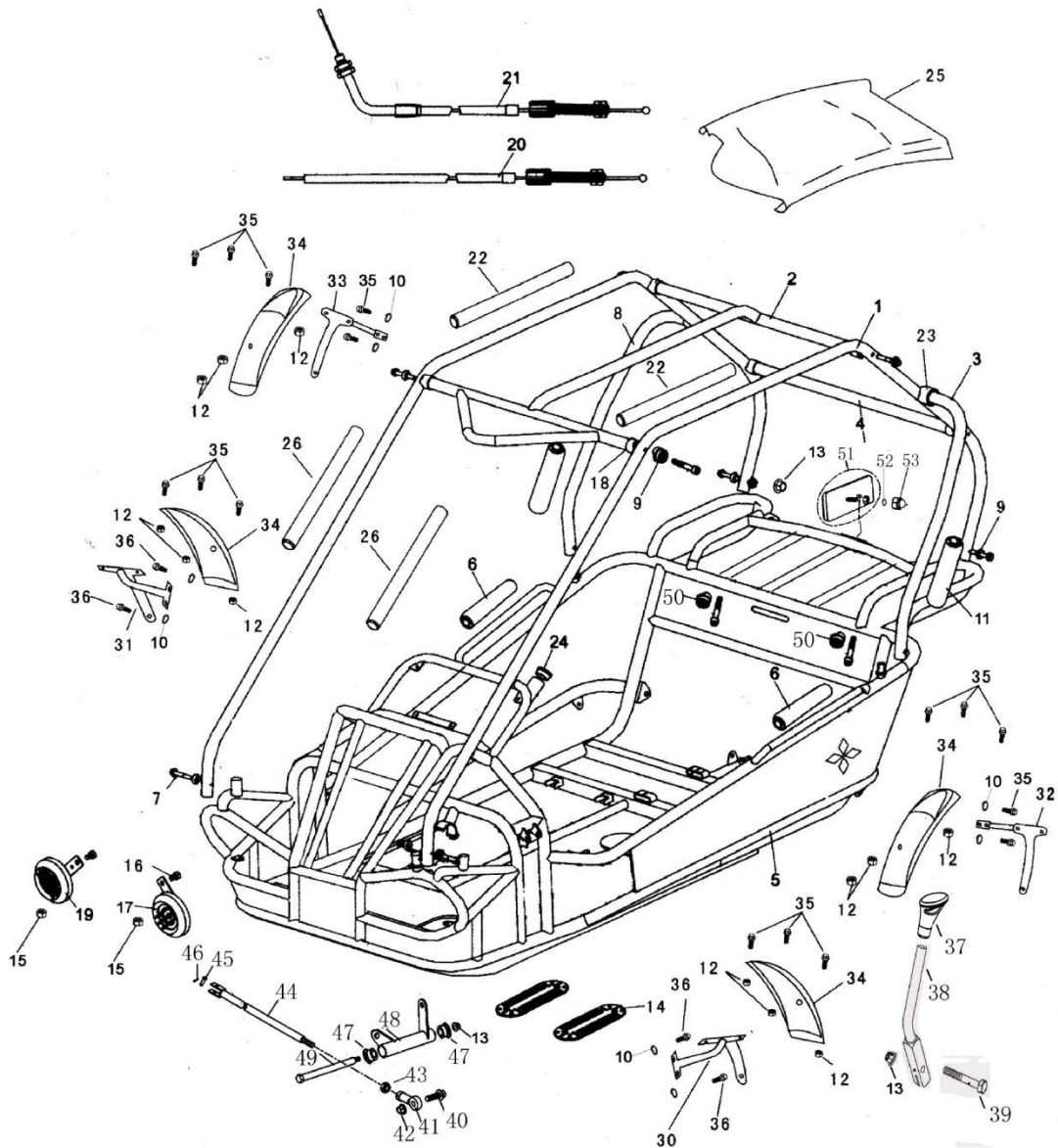
Fig 23



REF. No.	Part No.	DESCRIPTION	Q'TY
1	121006	GB5787 M6X252	2
2	121007	REAR COVER,L	1

Fig 24

FRAME GROUP

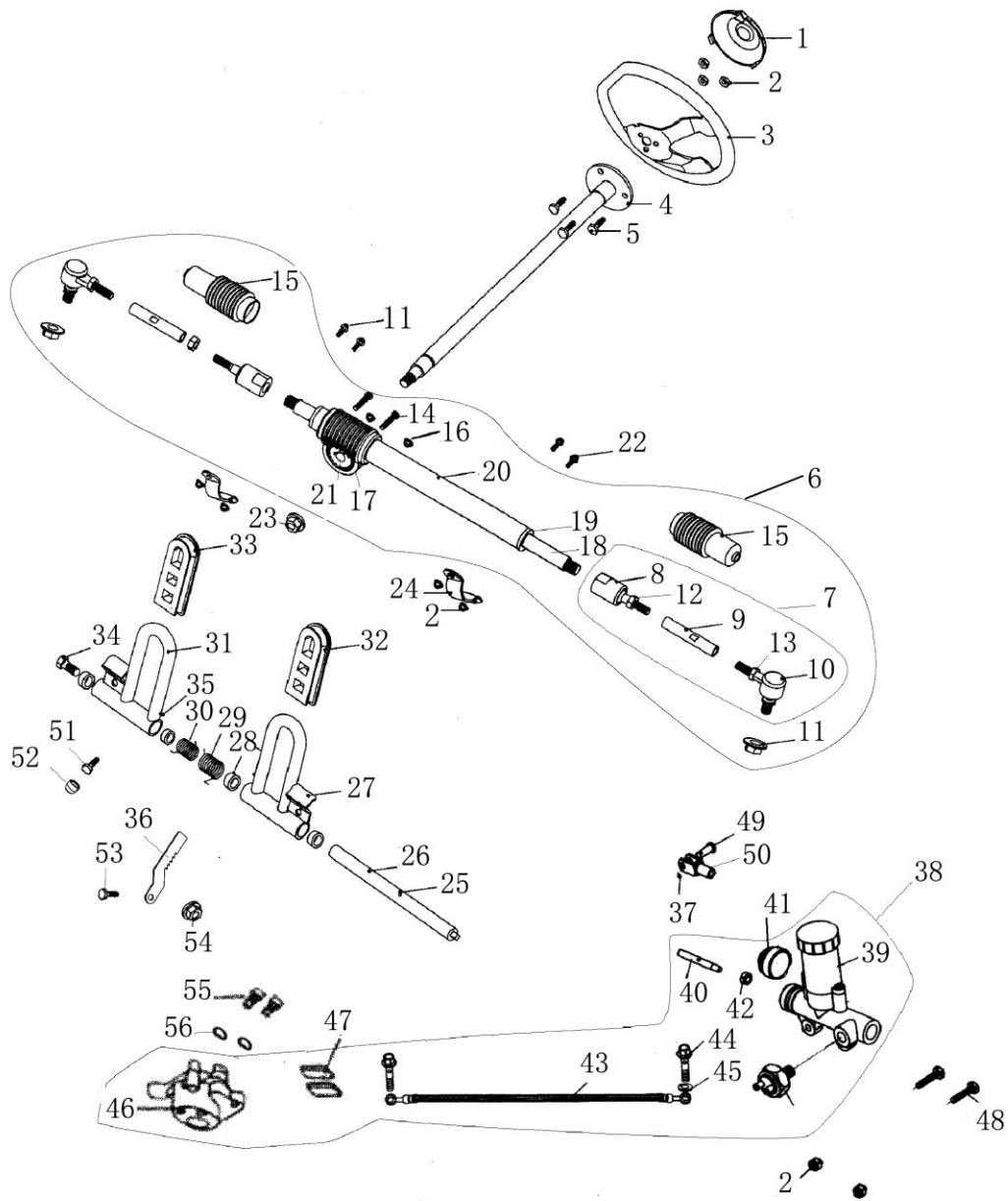


REF. No.	Part No.	DESCRIPTION	Q'TY
1	8.070.054	C.B.C.BARCAGE.(R.S.B)	2
2	6.060.300	C.B.C.CUSTOM CROSS BARTOP.FR(R.S.B)	1
3	8.070.055	C.B.C.CUSTOM J-BAR.LSIDE(R.S.B)	1
4	8.080.078	C.B.C.CUSTOM CROSS BARTOP.RR(R.S.B)	1
5	57100-110G	FRAME COMP.(R.S.B)	1
6	6.000.189	FOAM RADDING-1	2
7	GB5787 M8X50	BOLT M8x1.25x50	14
8	8.070.056	C.B.C.CUSTOM J-BAR.RSIDE(R.S.B)	1
9	8.010.047	R- WASHER	20

10	GB93 φ6	SPRING WASHER φ6	8
11	6.100.319	FOAM RADDING-4	2
12	GB6177 M6	NUT M6	12
13	GB6187 M8	NUT M8	8
14	7.020.045	RUBBER FOOLPLAIE	4
15	GB6170 M8	NUT M8	2
16	GB5789 M8X16	BOLT M8x1.25x16	2
17	6.000.136	HORN.L	1
18	7.010.017	TUBE SEAT 25	6
19	6.000.135	HORN.H	1
20	60120-110G	THROTTLE CABLE COMP.	1
21	60110-110G	CHOKE CABLE COMP.	1
22	6.000.319	FOAM RADDING-2	2
23	7.110.018	TUBE SEAT 28	2
24	7.010.006	STEERINGSHAFT BUSH	1
25	6.000.320	BIKINI TOP	1
26	7.020.111	FOAM PADDING-3	2
30	6.131.172	FRONT FENDER BRACKET,L	1
31	6.130.172	FRONT FENDER BRACKET,R	1
32	6.132.172	REAR FENDER BRACKET.L	1
33	6.133.172	REAR FENDER BRACKET,R	1
34	6.001.074	FENDER	4
35	GB5789 M6X16	BLOT M6X16	12
36	GB5789 M6X14	BLOT M6X14	8
37	4.100.034	HANGLE,GEAR LEVER	1
38	40001-110G	GEAR LEVER	1
39	GB5789-M8X30	BOLT M8X30	1
40	GB5789	BOLT M10X1.25X40	1
41	6.000.235	KNUCKLE BEARING,R	1
42	GB6187 M10X1.25	NUT M10X1.25	1
43	GB6170 M10*1.5	NUT M10X1.5	1
44	58110-110G	REVERSE ROD	1
45	9.700.518	ROUND PINφ5X18	1
46	9.500.130	COTTER PINφ1.5X30	1
47	7.010.003	BUSHING,PLASTIC	2
48	52310-110G	REVERSE ARM	1
49	9.708.145	FLANGE BOLT M8x1.25x145	1
51	6.300.111	REFLECTOR	1
52	GB97	FLAT WASHERφ5	1
53	61700500000010005	NUT M5	1

Fig 25

STEERING SHAFT ASSY



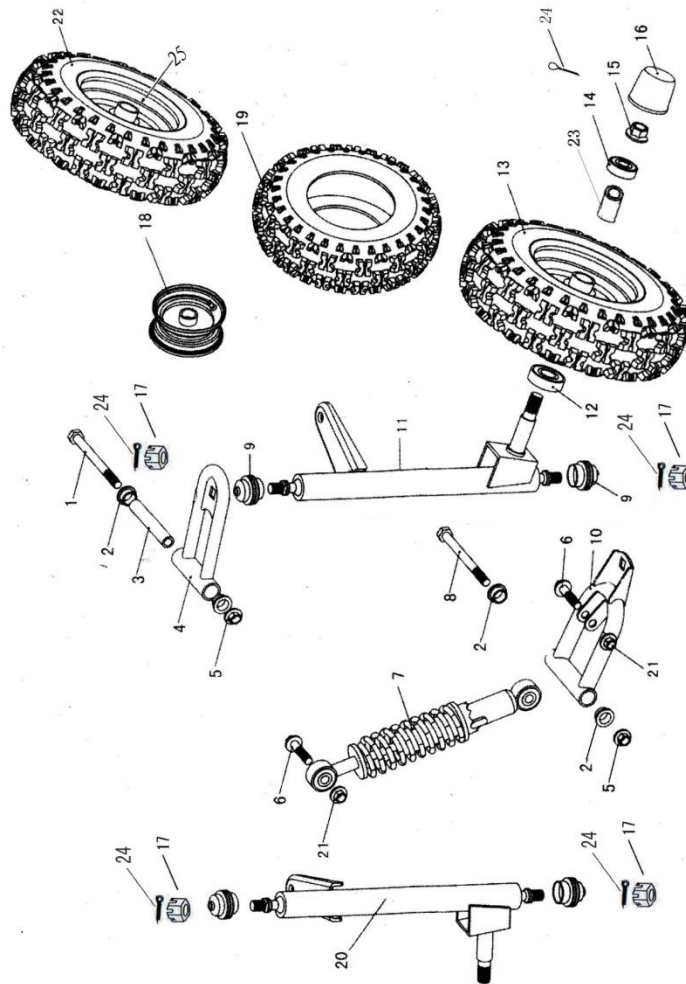
REF. No.	Part No.	DESCRIPTION	Q'TY
1	7.010.056	STEERING BOLT COVER	1
2	GB6187 M6	LOCKING NUT M6	9
3	7.020.057	STEERING WHEEL	1
4	2.000.056	STEERING-SHAFT	1
5	GB5783 M6X16	BOLT M6 x16	3
6	40100-80G	STEERING ASSY.	1
7	8.000.002	TIE ROD ASSY	2

8	6.000.180	STEERING BALL JOINT	2
9	8.010.135	TIE ROD	2
10	6.000.181	ROD END	2
11	GB6187 M8	NUT M8	2
12	GB6170 M8	NUT M8	2
13	GB6170 M8(L)	NUT M8(L)	2
14	GB818 M5X14	BOLT M5 x14	2
15	7.020.059	STEERING BALL JOINT DUST COVER	2
16	GB97 ϕ 5	FLAT WASHER ϕ 5	2
17	4.010.001	CONNECTING DEVICE	1
18	8.010.075	GEAR AXLE	1
19	7.010.007	STEERING GEAR BUSH	2
20	8.010.079	CONNECTING PIPE	1
21	8.010.131A-50A	STEERING GEAR	1
22	GB5787 M6X20	BOLT M6 x20	4
23	9.820.010	LOCKING NYLON NUT M10*1.25	1
24	8.020.130	STEERING GEAR BRACKET(R.S.B)	2
25	9.500.008	ROLL PIN ϕ 3 x 20	1
26	8.010.123	PEDAL BOLT	1
27	4.000.044	BRAKE PEDAL COMP.	1
28	7.010.003	PEDAL BUSH	4
29	8.040.011	BRAKE PEDAL RETURN SPRING,R	1
30	8.040.010	THROTTLE PEDAL RETURN SPRING,L	1
31	9.500.218	THROTTLE PEDAL COMP	1
32	7.020.043	BRAKE PEDAL PAD	1
33	7.020.044	THROTTLE PEDAL PAD	1
34	GB70 M8X12	BLOT M8X12	1
35	9.500.007	ROLL PIN ϕ 3 x 16	2
36	8.020.209	STOPPING PLATE	1
37	9.500.130	COTTER PIN ϕ 1.5x 30	1
38	6.000.000	HYDRAULIC BRAKE ASSEMBLY	1
39	6.000.305	MASTER CYLIND ER	1
40	6.000.306	CYIINDER ROD	1
41	7.020.076	DUST COVER	1
42	GB6170 M6	NUT M6	1
43	6.000.010	BRAKE HOSE ASSY	1
44	9.700.004	BOLT M10X24	2
45	9.300.010	WASHER ϕ 10	4
46	6.000.028	RR. CALIPER ASSY.	1
47	7.020.016	RR. BRAKE PAD SET	2
48	GB5789 M6X25	BOLT M6X25	2
49	9.700.628	LOCKING ROLL PIN	1

50	8.020.224	CYIINDER ROD BRACKET	1
51	GB5782 M8X65	BOLT M8X65	1
52	7.010.022	RUBBER FOOT PEDAL STOP	1
53	GB5783 M8X18	BOLT M8X18	1
54	GB6170 M8	NUT M8	1
55	GB70 M8X12	BOLT M8X12	2
56	GB93 ϕ 8	SPRING WASHER ϕ 8	2
57	GB97 ϕ 8	WASHER ϕ 8	1

Fig 26

SUSPENSION ARM ASSY

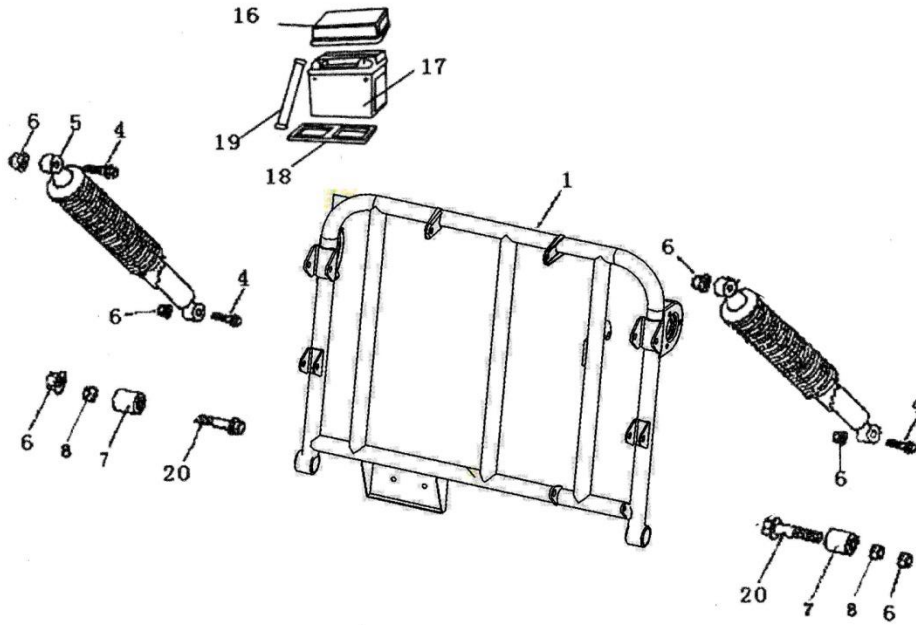


REF. No.	Part No.	DESCRIPTION	Q'TY
1	GB5789 M8 x 105	FLANGE BOLOT M8 x 1.25 x 105	2
2	7.010.003	UPPER SUSPENSION ARM BUSH	8
3	8.010.015	UPPER SUSPENSION ARM COLLAR	2
4	4.000.047	UPPER SUSPENSION ARM	2
5	GB6187 M8	LOCKING FLANGE UNT.M8	4
6	GB5787 M10 x 40	FLANGE BOLT M10 x 40x1.25	4
7	6.100.325	CUSHION ASS Y.FR	2
8	9.708.145	FLANGE BOLT M8x1.25x145	2
9	7.020.061	BALL HEAD DUST SEAL	4
10	4.000.041	LOWER SUSPENSION ARM ASS Y	2
11	2.000.055	SPINDLE AND STRUT SUPPORT,R	1
12	6202-2RS	BEARING 6202	2
13	6.000.309	FRONT WHEEL ASS Y.L.	1

14	6201-2RS	BEARING 6201	2
15	GB9457 M12*1.25	GB9457 NUT M12*1.25	2
16	7.020.039	HUB COVER FR	2
17	GB9457 M10*1.25	GB9457 NUT M10*1.25	4
18	6.100.310	RIM,FR	2
19	6.100.311	TIRE,FR 16X6-8	2
20	2.000.057	SPINDLE AND STRUT SUPPORT,L	1
21	GB6187 M10	LOCKING FLANGE M10X1.25	4
22	6.100.321	FRONT WHEEL ASSY.R.	1
23	8.010.084	FRONT WHEEL COLLAR ϕ 15* ϕ 19*24.5	2
24	9.500.230	COTTER PIN ϕ 2.5X30	6
25	7.190.018	AIR VALVE	2

Fig 27

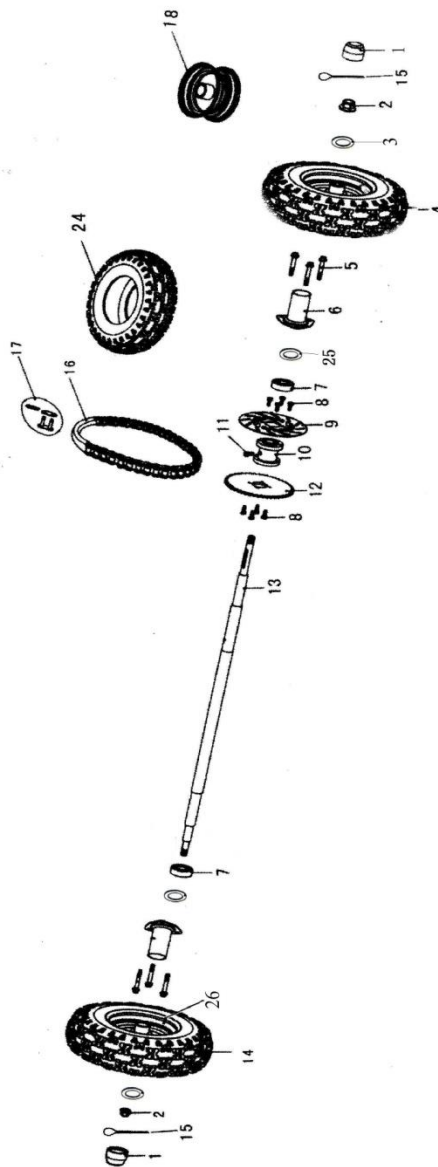
REAR SWING ARM



REF. No.	Part No.	DESCRIPTION	Q'TY
1	52100-110G	REAR SWING ARM	1
4	GB5789 M10X40	FLANGE LOCKING BOLT M10X1.25X40	4
5	6.000.325	250CUSHION ASSY. FR.	2
6	GB6187 M10	LOCKING NUT M10X1.25	6
7	7.020.077	BUSHING, SWING ARM ISOLATOR 10*30*30/35	2
8	GB6170 M10	NUT M10X1.25	2
16	7.010.028	BATTERY COVER	1
17	6.000.085	BATTERY 12V 6.5AH	1
18	7.020.020	LOWER BATTERY CUSHION	1
19	7.020.023	BATTERY STRAP	1
20	GB5789 M10X68	FLANGE LOCKING M10X1.25X68	2

Fig 28

REAR HOUSING

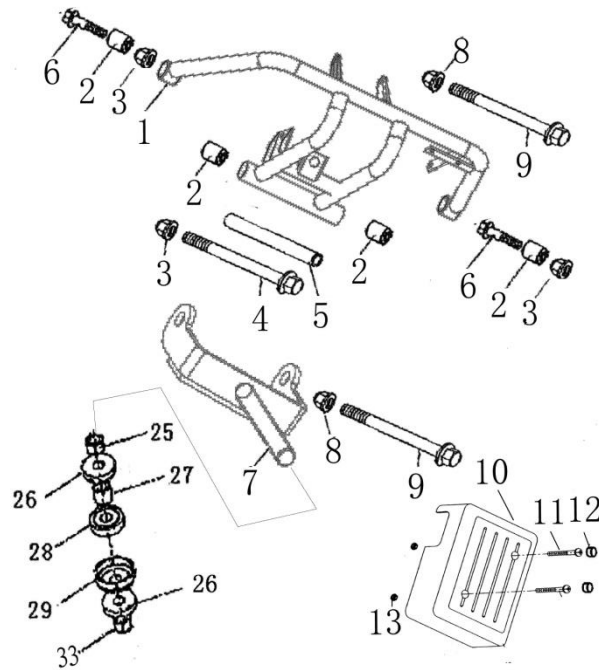


REF. No.	Part No.	DESCRIPTION	Q'TY
1	7.020.039	HUB COVER,RR	2
2	GB9457 M16*1.5	CASTLE NUT M16*1.5	2
3	GB96 φ16	WASHER Φ16	2
4	6.000.315	REAR WHEEL ASSY R.	1
5	GB5789 M8X16	FLANGE BOLT M8 x16	6
6	6.000.196	AXLE COVER	2
7	6005-2RS	BEARING,6005	2

8	GB70 M8X20	FLANGE BOLT M8x20	8
9	8.010.201	DISC BRAKE,RR	1
10	8.010.202	REAR AXLE HUB	1
11	9.110.025	BOLT M10x1.25x25	1
12	5400600050L000	REAR SPROCKET	1
13	8.010.199	REAR AXLE	1
14	6.000.316	REAR WHEEL ASS Y.L	1
15	9.500.330	COTTER PIN 3x40	2
16	420-58	DRIVE CHAIN	1
17	420-10	MASTER LINK	1
18	6.100.333	RIM,RR	2
24	7.020.078	REAR TIRE 16x7-8	2
25	7.090.001	WASHER Φ 45X35.5X2	2
26	7.190.018	AIR VALVE	2

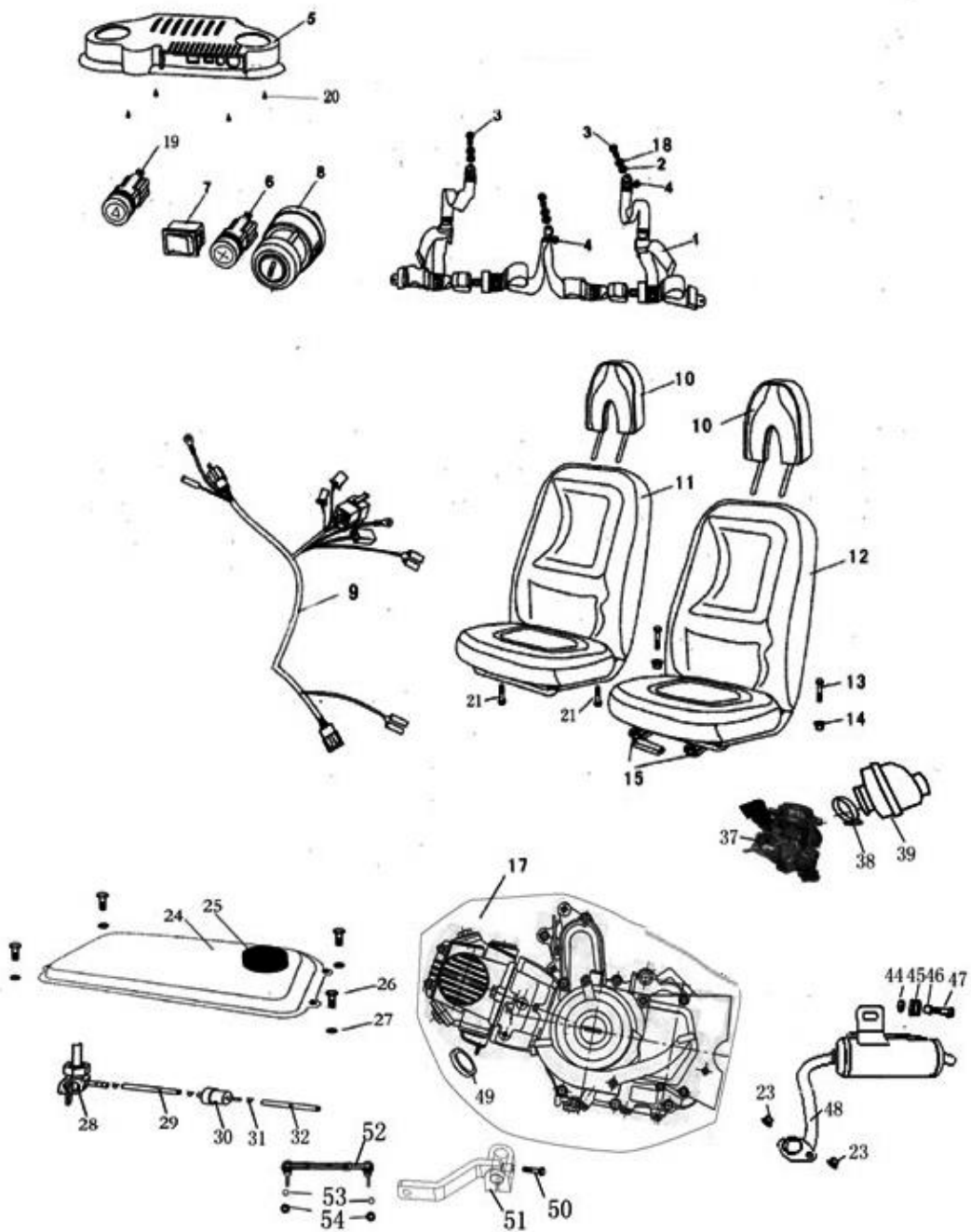
Fig 29

CLUTCH ASSY.



REF. No.	Part No.	DESCRIPTION	Q'TY
1	52200-110G	ENGINE MOUNTING PLATE-METALLIC	1
2	7.020.077	BUSHING, SWING ARM ISOLATOR 10*30*30/35	4
3	GB6187 M10	NUT M10X1.25	3
4	GB5789 M10X240	FLANGE BOLT M10 x1.25x240	1
5	5210100110G000	COLLAR,HANGING BRACKET	1
6	GB5789 M10X55	FLANGE BOLT M10 x1.25x55	2
7	10110-110G	BUSHING-CHAIN ADJUSTER	1
8	GB6187 M8	NUT M8	2
9	GB5789 M8X115	FLANGE BOLT M8x115	2
10	7.010.029	ELECTRIC ASSY. COVER	1
11	GB818	PAN SCREW M6x60	2
13	GB6177	NUT M6	2
25	GB6170 M12	NUT M12X1.25	1
26	8.010.042	WASHER-CHAIN ADJUSTER(ϕ 12X ϕ 35X6)	2
27	8.010.041	BUSHING-CHAIN ADJUSTER	1
28	7.020.001	CAP WASHER-CHAIN ADJUSTER	1
29	8.020.045	BOTTOM CAP WASHER-CHAIN ADJUSTER	1
33	GB6187 M12	NUT M12X1.25	1

Fig 30 WIRE HARNESS, ELECTRICAL/SEAT/ENGINE



REF. No.	Part No.	DESCRIPTION	Q'TY
1	6.000.328	SAFETY BELT	1
5	7.010.076	SWITCH PANEL COVER	1
6	6.000.164	ENGINE STOP BUTTON	1

7	6.000.133	HORN BUTTON	1
8	6.000.165	POWER ON SWITCH	1
9	8002500110G000	WIRE HARNESS	1
10	6.000.329	HEAD-REST	2
11	6.000.330	SEAT COMP.R	1
12	6.000.331	SEAT COMP.L	1
13	9.910.841	BOLT STRAP M8X1.25X45	2
14	GB6177 M8	FLANGE NUT M8	2
17	Engine-110	ENGINE COMP.	1
18	7.060.022	LOCKING WASHER	3
19	6.000.200	ELETRIC STARTER BUTTON	1
20	GB2823 ST4.2X13	BOLT ST4.2X13	4
21	GB5787	BOLT STRAP M8X1.25X40	2
22	GB5789	bolt M6X16	4
23	GB6187	NUT M6	4
24	50110-110G	FUEL TANK COMP	1
25	50130-110G	FUEL FILLER CAP COMP	1
26	GB70	bolt M8*16	4
27	GB6187	110 Gas tank nut	4
28	6.000.166	FUEL COCK ASS'Y	1
29	7.020.029	FUEL TUBE, #2	1
30	6.000.056	FILTER	1
31	8.040.009	FUEL TUBE CLIP	4
32	7.020.030	FUEL TUBE, #1	2
37	PZ19000110G000	PZ19 CARBURETOR	1
38	49010-110G	AIR CLEANER CLIP	1
39	49100-110G	AIR CLEANER	1
44	GB6187	NUT M8	1
45	7.020.005	BUSHING, RUBBER	1
46	8.010.034	TANK COLLAR	1
47	GB5787	BOLTM8x40	1
48	47100-110G	MUFFLER COMP.	1
49	47001-110G	BUSHING,MUFFLER	1
50	GB5789	BOLT M6x30	1
51	40010-110G	SHIFTER	1
52	60010-110G	SHIFTER MOUNTING ROD A	1
53	930006000000	WASHER 6	0
54	617706000100	JAM NUT M6	2
60	80022-110G	DIGITAL DISPLAY, GEAR	1

Fig 31

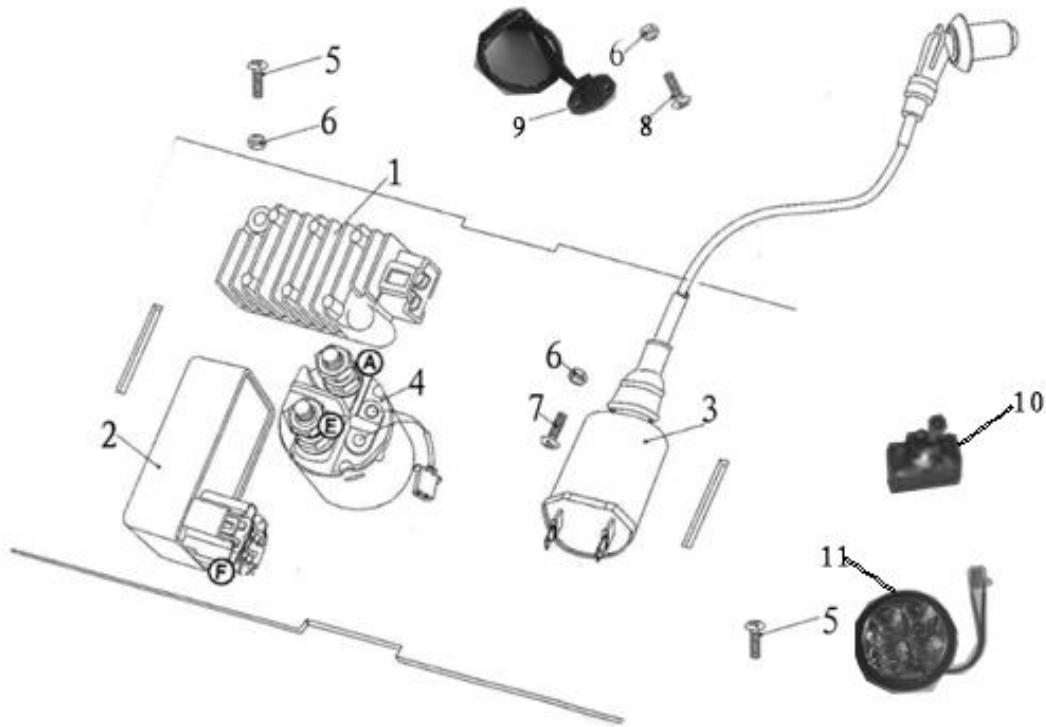
WARNING STICKERS ASSY.



REF. No.	Part No.	DESCRIPTION	Q'TY
1	14-1201-00	LABEL SEAT BELT	1
2	14-1202-00	LABEL NO CLIMBING	1
3	14-1203-00	LABEL WARNING OPERATION	1
4	14-1204-00	LABEL CHAIN GUARD	1
5	14-1205-00	LABEL NO LONG HAIR	1
6	14-1206-80	LABEL AGE	1

Fig 32

Electric ASSY.



REF. No.	Part No.	DESCRIPTION	Q'TY
1	8002400110G000	Regulator	1
2	8001600110G000	C.D.I	1
3	8001800110G000	Ignition Coil	1
4	8001700110G000	Starting relay	1
5	GB5789 M6*16	BOLT M6*16	3
6	GB6187 M6	NUT M6	5
7	GB5789 M6*20	BOLT M6*20	2
8	GB5787M6*20	BOLT M6*20	2
9	8002200110G000	Shifting Indicator	1
10	8120000080GA00	On/off switch	1
11	8110000050GB01	LED light	2