

250CC Series Off-road Kart USER' S MANUAL



[Http://www.coolster.com](http://www.coolster.com)



250CC Series Off-road Kart USER' S MANUAL

Dear Sir or Madam,

Thank you very much for your choice of 250 CC Off-road Kart.

The 250 CC Off-road Kart, is manufactured according to the full survey of market demand. We hope that it will bring you driving pleasure.

Please read the manual carefully before driving because it will help you learn the basic knowledge of structure, function, operation and maintenance of the Kart, which will be of great help for you to keep it in good condition and drive more safely.

The materials and pictures provided in the Manual is the latest information made according to the newest products. There possibly are differences between the contents in the manual and the actual situation of Kart as a result of the improvement or changes of the products. But the user has to operate by the real

situation. The producer preserves the rights revision of the Manual at any time, with no further information or notice.

No one can copy, quote or print any part of the Manual without permission from the producer.

Please contact the dealers if you have any problems about the kart's operation and maintenance.

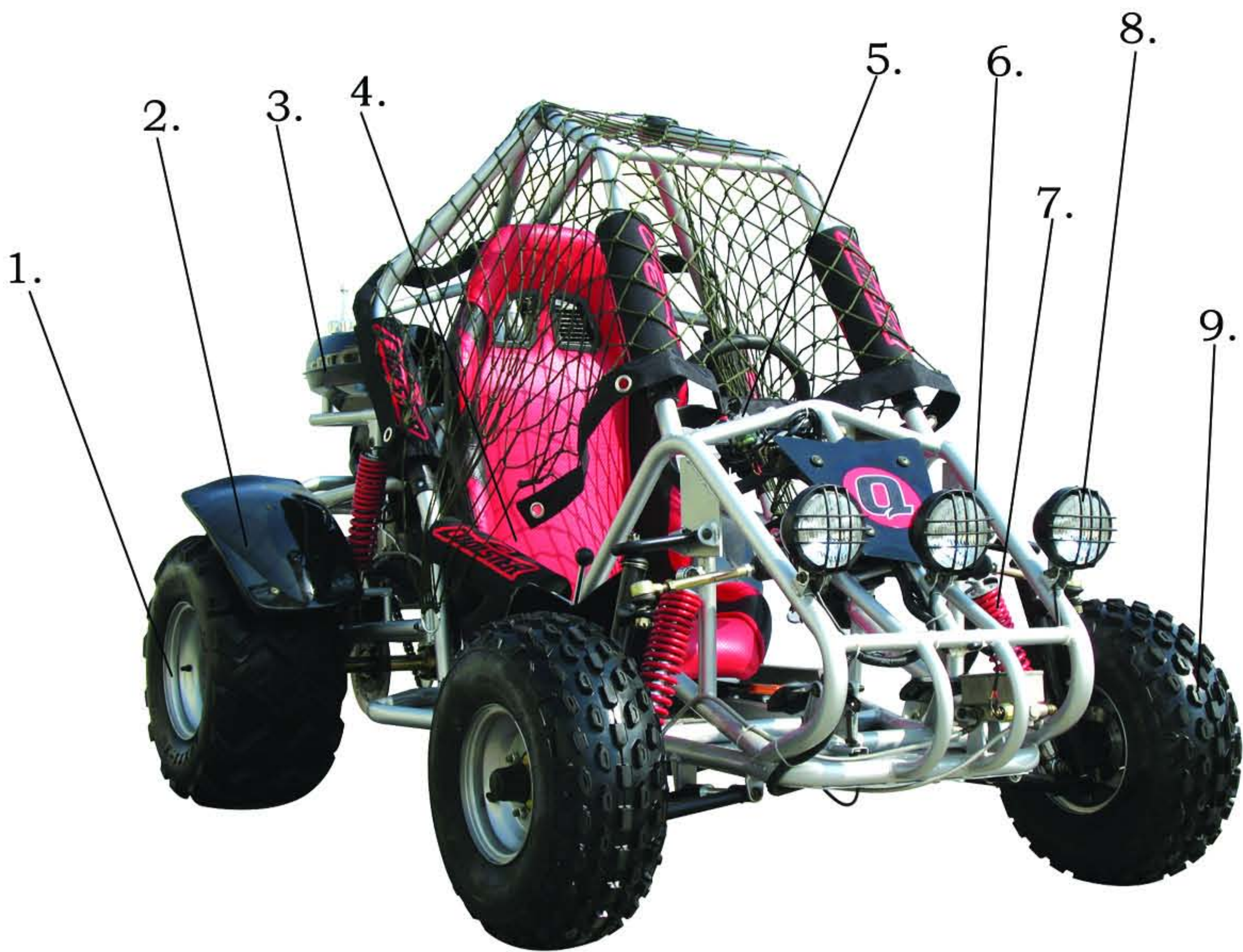
▲ Warning: Drivers and Parents should read and follow the rules in Section 5 before driving Off-road Kart, which is about the important events and safety.

Contents

- 1. Brief Introduction to Off-road Kart**
- 2. Main Technical Parameter Table**
- 3. Vehicle Assemblage**
- 4. Water box assemblage.**
- 5. Important Events and Safety**
- 6. Components and Operation Introduction**
- 7. How to Drive Off-road Kart Properly**
- 8. Maintenance of Off-road Kart**
- 9. Schematic Diagram**

1. Brief Introduction to Off-road Kart

1.1 Brief Introduction



1.Rear wheel 2.Rear fender 3.Oil tank 4.Seat 5.Control Panel
 6.Main frame 7.Suspension 8.Head light 9.Front wheel



Off switch
 Key switch
 First headlamp switch

◆ The shape of 250CC Off-road Kart for leisure and entertainment is new and unique. The frame is welded

with excellent steel pipe, which is high in structural strength with reliable safety.

◆ Front independent suspension and articulated 11 adopted, which is comfortable and is of great help to prolong the life of the components of the whole vehicle.

◆ Front wheel and rear axle fluid power disk brake is adopted, which has a good effect and easy and soft operation.

◆ This type of karts has taken 250 CC cc engine with high efficiency and low oil consumption.

◆ The electrical system is simple and reliable as well, which is a leisure and entertainment vehicle based on good function.

◆ Stepless speed changing engines are adopted in the vehicle, better and convenient customer in energy usage.

1.2 Engine and Frame Identification Numbers

Engine Identification Number: Please remember Engine Identification Number for the check when necessary. The location of Engine Identification Number is at the right side of the engine transmission shell.

Frame identification Number: Frame identification Number is the unique number for all the vehicles and please make a record for the check when necessary .It is on the rear left of framework.(See right picture)



2. Main Technical Parameter Table

Item		Parameters
Vehicle Type		250CC
External Dimension	LxWxH (mm)	2220×1390×1440
	Axle Base (mm)	1580
Weight	Dry Weight (Kg)	263
Loading Capacity	1 person	
Engine	Type	Single Cylinder, Four Strokes, Water Cooled
	Exhaust (ml)	250
	Form of Speed Changing	stepless speed changing (with back gear)
Power	Highest Speed (km/h)	70
Package Size	LxWxH (mm)	2300×1460×855
Transport	Size and Number of Container	40HQ / 30
Tire	Type/Air Pressure Front	19×7-8 11
	Type/Air Pressure Rear	22×11-10 7
Electrical System	Battery	12V 9Ah
	Safety Fuse	15A
Capacity	Engine oil capacity	1L
	Sprocket oil capacity	0.18L

Capacity	Oil tank(L)	8.0
----------	-------------	-----

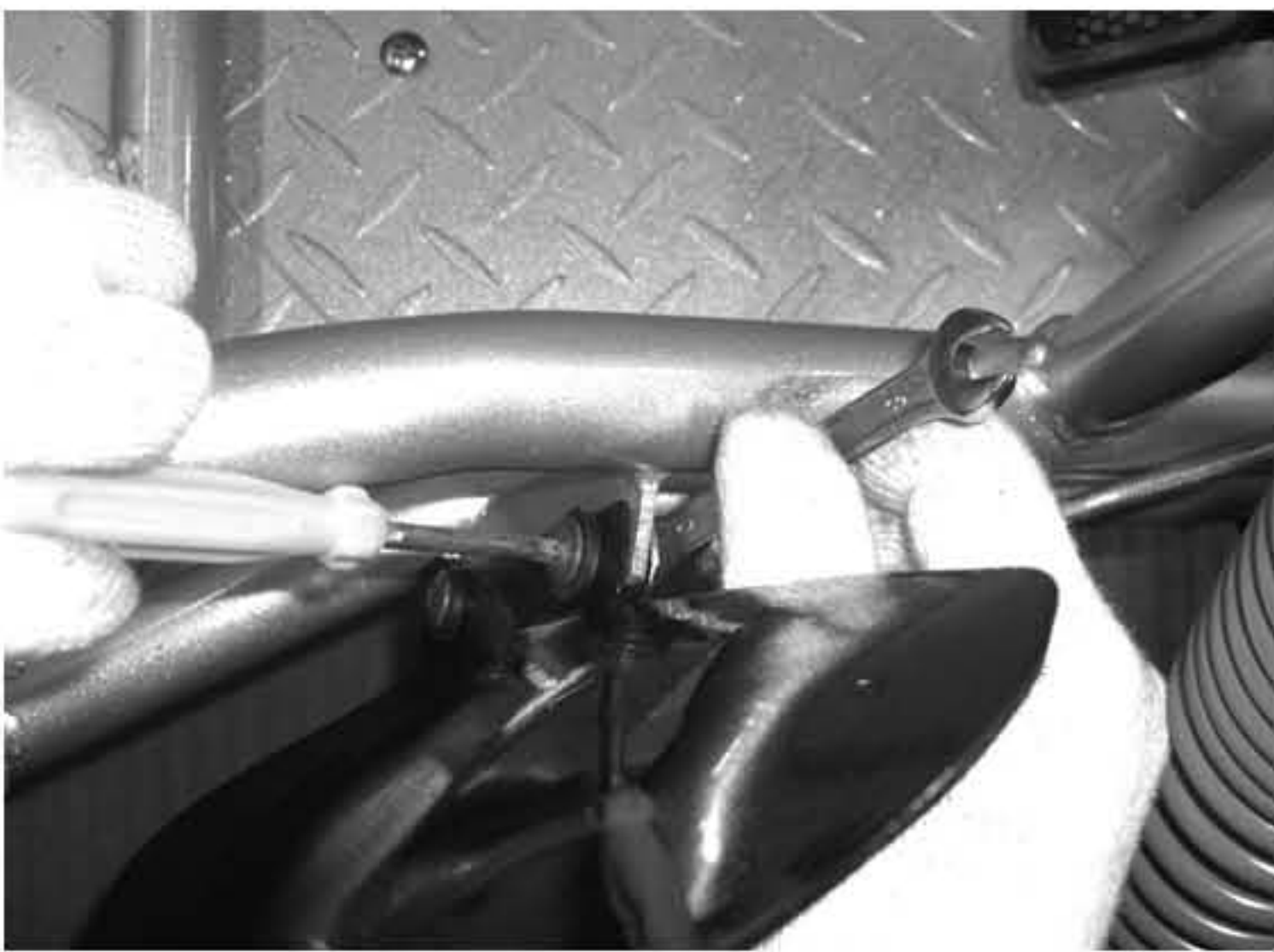
3、 Vehicle Assemblage



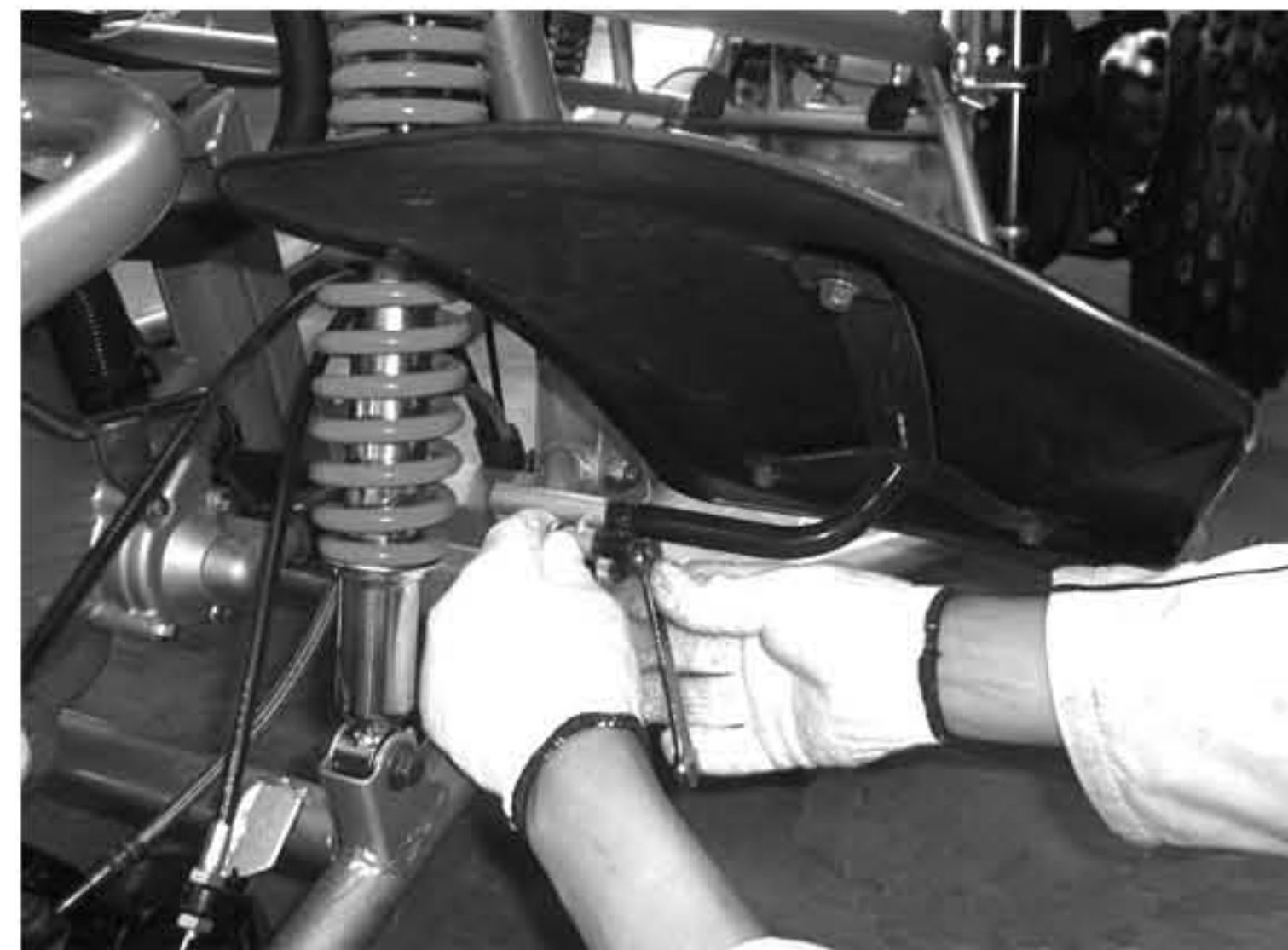
1.Assemble front tire



2.Assemble dustproof cover on front tire



3.Assemble front fender



4.Assemble rear fender



5.Assemble rear tire



6.Assemble dustproof cover on rear tire



7.Fixed black cover



8.Fixed top frame



9.Fixed down frame



10.Fixed front frame



11.Fixed screws on frame



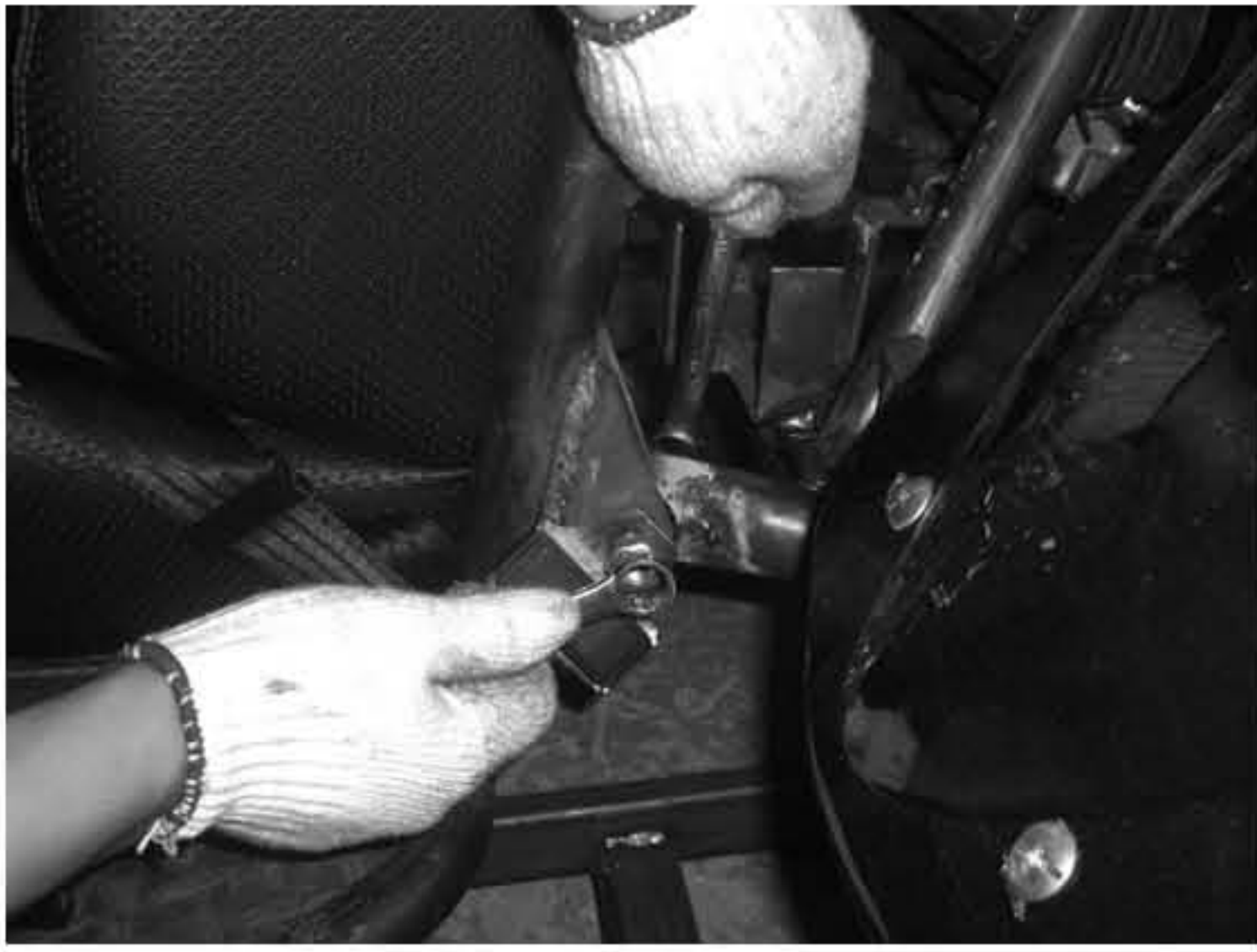
12.Fixed screws on rear frame



13.Assemble seat



14.Fixed screw of safty belt

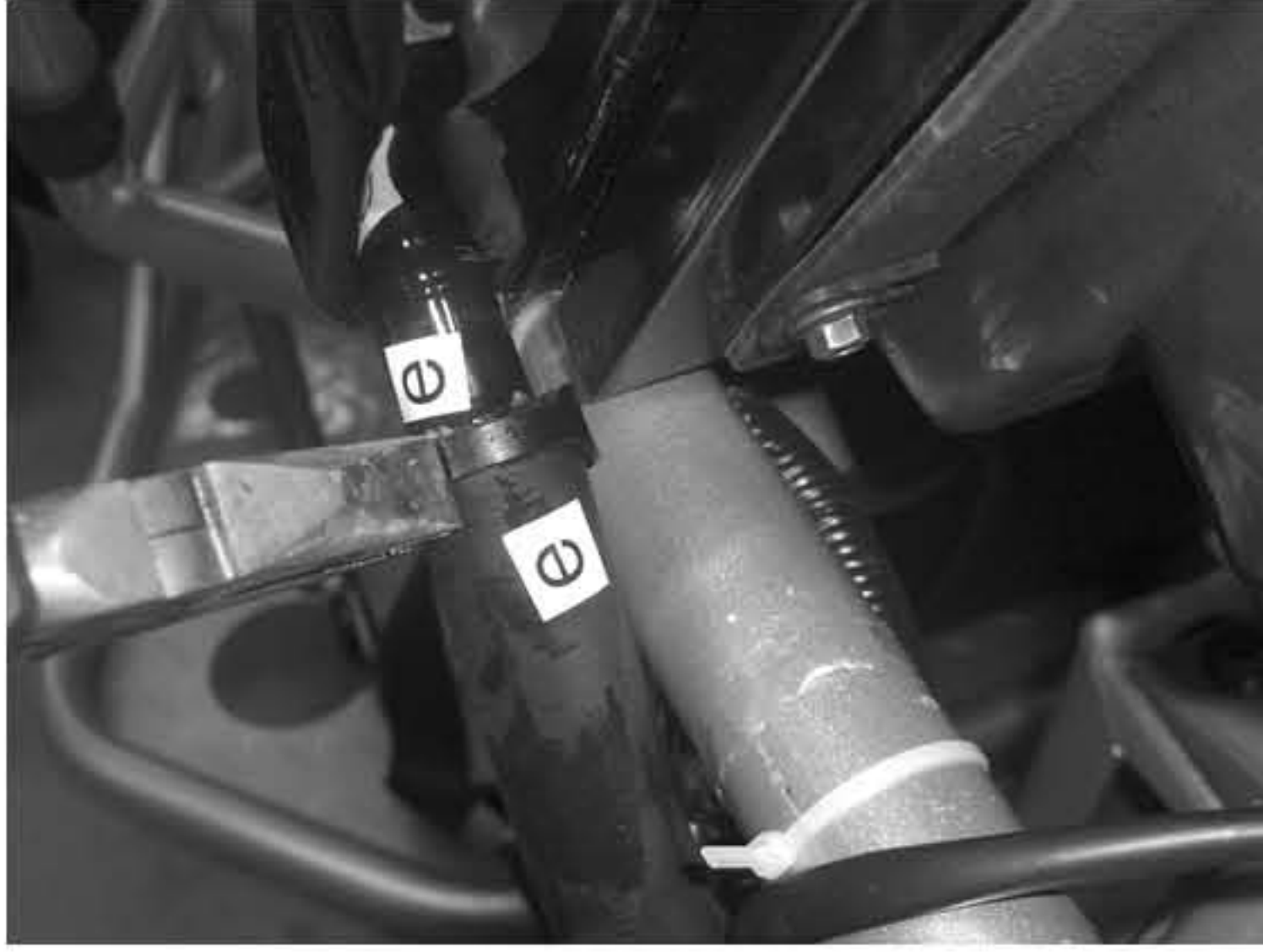


15.Fixed screw of safty belt

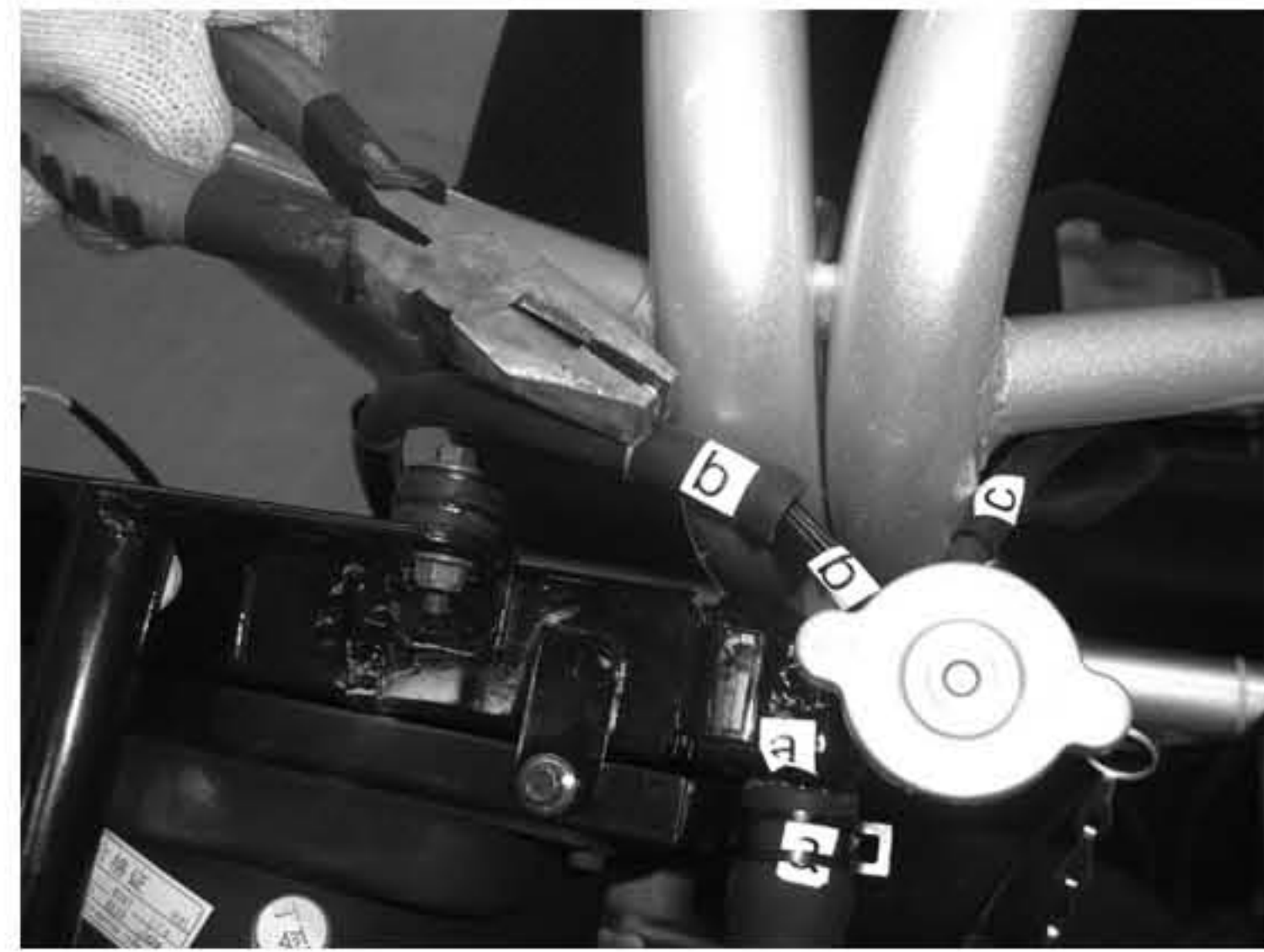
4、 Water box Assemblage



16.Install water tank



17. Connect water tube



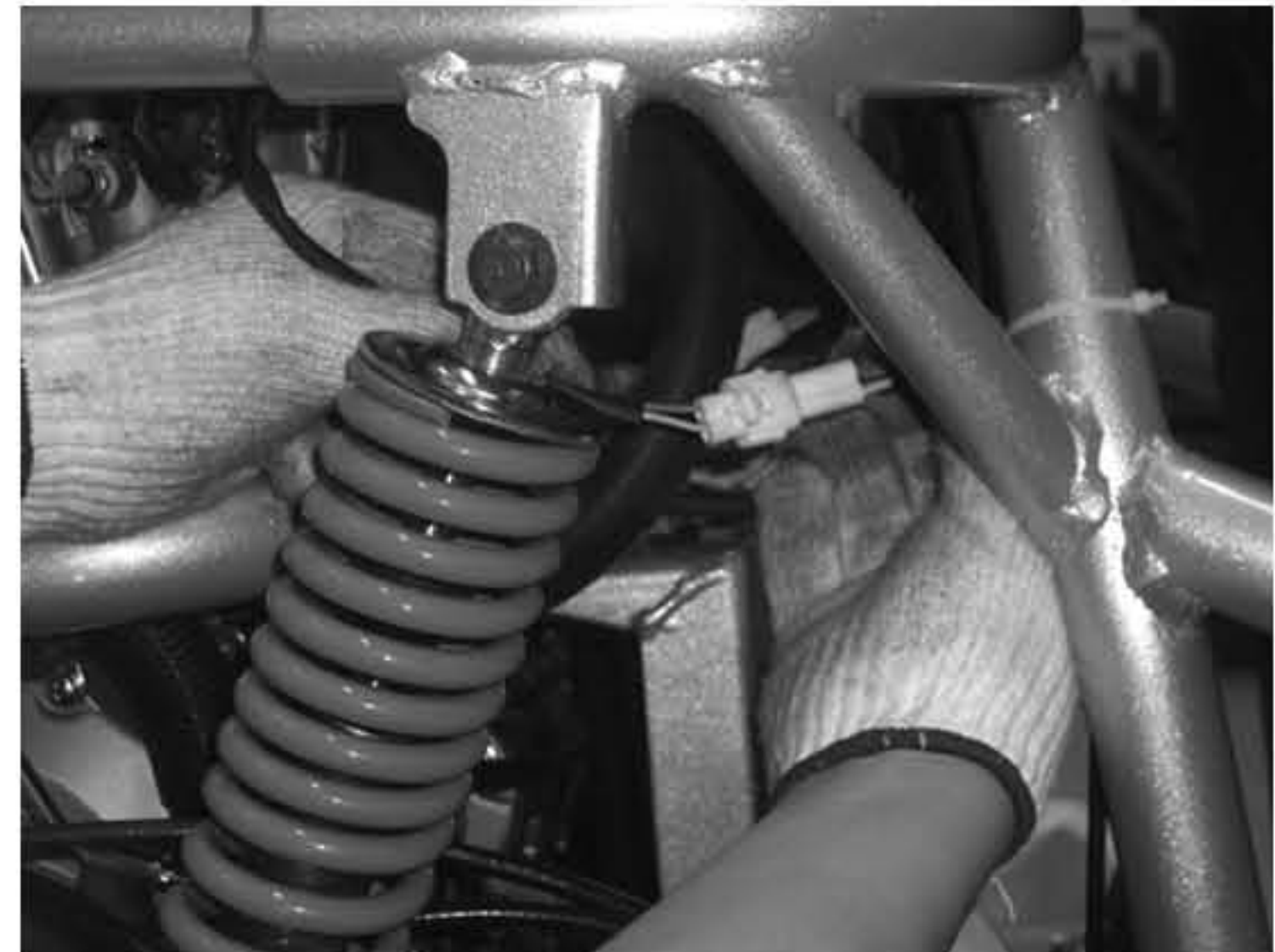
18. Connect water tube



19. Connect fan to cable of inductor



20. Connect fan to cable of inductor



21. Connect cable of oil inductor



22. Install fixed pole of frame

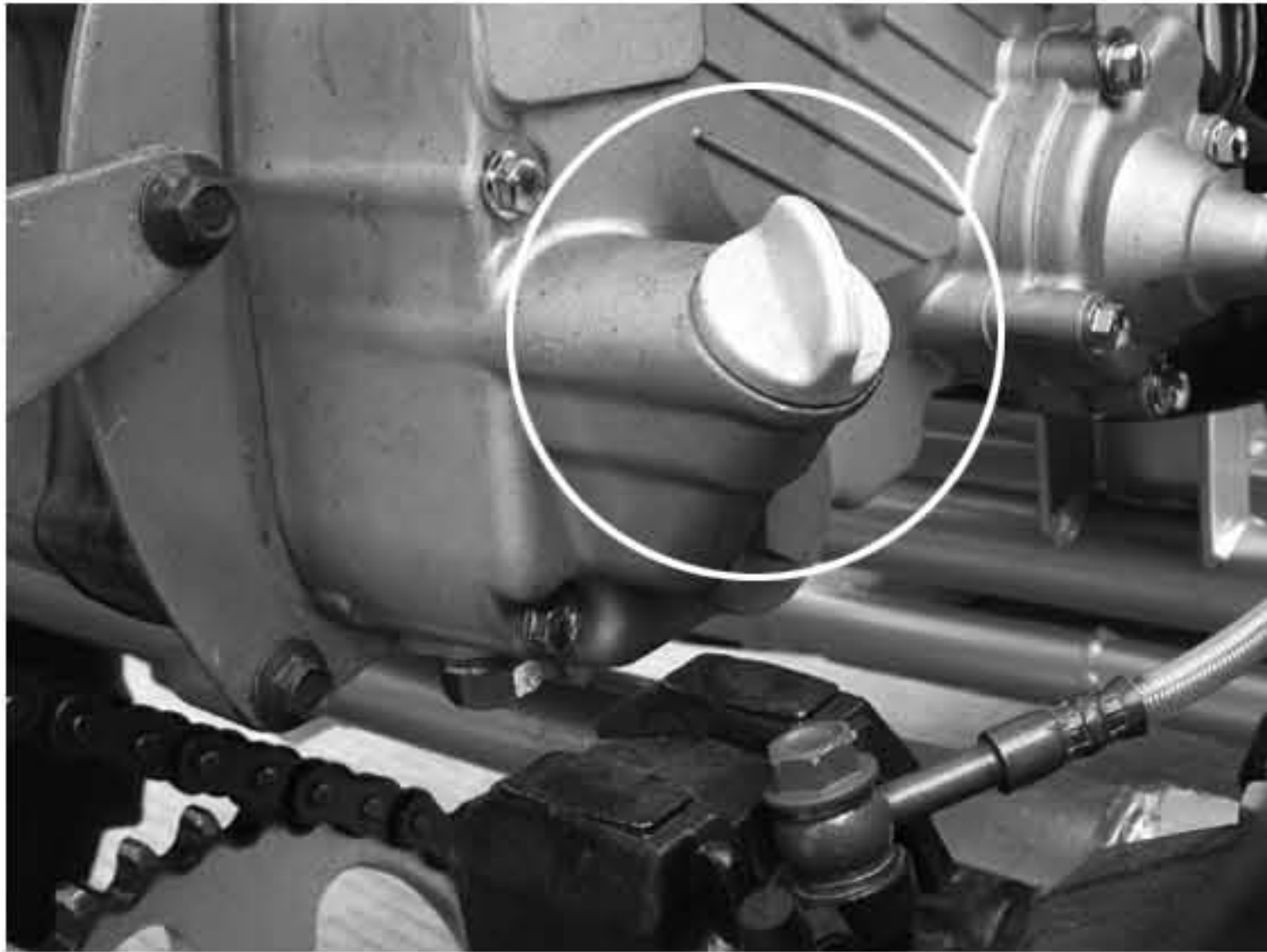


23. Fill coolant to radiator



24. Fill coolant to standby water tank in third

5、 Engine oil & sprocket oil replace



Intake for engine oil



Release engine oil



Disassemble cover—engine belt



1:In—oil 2:Out—oil

Picture for sprocket oil replacement

5.Important Events and Safety

250 CC . Off-road Kart is more than a toy and it will cause danger if driving improperly. Please abide by the following suggestions strictly to avoid the injury.

◆ You mustn't drive at an excessive speed. You must control the speed properly according to the road

Correspondence forms fastening torque

Assembly process, some of the key parts of bolts, screws, nuts, loosening occurred when the use of cars vehicle performance will cause serious harm. The importance of these key parts of bolts, screws, nuts to be the fastening torque control. Specific requirements for the following

Thread size	tightening torque N.m	standard torque N.m	thread size	tightening torque N.m	standard torque N. m	thread size	tightening torque N. m	standard torque N.m
M5	4.5-6.0	5	M10	37-79	60	M16	199-270	240
M6	8-12	9	M12	73-115	99	M18	287-346	316
M8	16-26	23	M14	146-205	180	M20	389-480	440

Note: If models cards or vehicle assembly process in benchmark testing has been conducted on the above provisions of torque, according to assembly process cards or vehicle testing benchmarks for the standards

4. Important Events and Safety

250 CC . Off-road Kart is more than a toy and it will cause danger if driving improperly. Please abide by the following suggestions strictly to avoid the injury.

◆ You mustn't drive at an excessive speed. You must control the speed properly according to the road situation, the field of vision, your driving experiences and your operating conditions.

◆ You must drive with defined number of passengers and loading capacity, with no over-loading driving.

◆ Keep a proper gap with the other vehicles to avoid collision.

◆ Please examine the off-road kart before driving, making sure that it is in the condition that safe driving can be obtained. You can inspect according to the process and maintenance specified in the Manual and the explanation attached to the components, making sure that all the joints are tightened and safe.

◆ Before starting the engine, you must make sure that the driver is on the seat and the vehicle is in the controllable state.

◆ The vehicle is designed to carry one person, please don't pick up other passengers.

◆ You must put your hands on Steer Wheel all the time when driving and make sure that the running direction is under your control.

◆ The kart should not be overloaded with passengers.

◆ You must abide by the operating procedures and methods when turning the vehicle.

◆ You must practice the low-speed turning before you conduct the high-speed operation. Please don't turn at an excessive speed.

◆ You must do warming-up exercises before driving the vehicle.

◆ Please read the Manual and all the warning notes carefully before driving and operate by following strictly the procedures and methods.

◆ You mustn't drive the vehicle on the street, driveway or sidewalk.

◆ You mustn't drive off-road kart under the influence of drink or anesthesia agents because this will badly reduce you judging ability and cause serious injury and even death.

◆ You must drive on the slippery and steep road after mastering the skills of driving for it is dangerous to do so. Attention: driving on the slippery, broken stone or soft road will prolong the braking distance.

◆ You must drive on the strange road slowly and carefully.

◆ You must learn how to drive off-road kart in a

proper way and a qualified training coach is a necessity. The driver must be more than 16 years old and of adequate understanding, intelligence and judging ability for controlling the driving safely.

◆ You must adopt the tires of size and type defined in the Manual and keep the tire at the defined air pressure. The proper air pressure can ensure the reliable braking and turning.

◆ Please don't change the position and the state of the components or add any attachments at your will.

◆ You mustn't operate the engine in a closed environment because end gas from it will be dangerous to life.

◆ It is dangerous for any parts of body or clothes to touch the engine, noise deadener or any other revolving parts. Please keep away from them.

◆ You must follow the local suggestions and rules to drive the mini off-road kart in helmet and protection clothes.

◆ You must fasten the seat belt when driving, with no hand, foot or head exposing outside of the vehicle.

◆ You must follow the rules and the regulations of the sports ground or the local authorities when driving for pleasure.

◆ Please don't drive the vehicle if your body dimension or health status are not suitable.

◆ Please keep the vehicle far away from the resource of heat and fire if you store it for a short time. Please empty the petrol in the oil tank if you store it for a long time. Please store the Manual properly for the necessary usage.

◆ Certain experiences are required to repair and maintenance the vehicle and all the actions of its kind must be done under the safe conditions.

Use:

A), motorists must drive for skilled staff, and accompanied by a guardian.

B), each driving ago, we must do a good job in traffic, including oil is not enough, whether solid fasteners. If problems should immediately adjust or repair, an "ill" driving to avoid accidents.

C), good driving to wear safety helmets, gloves, put on their boots and put on their colorful protective clothing. (Both to protect themselves, but also aroused the attention of others)

D), moving to other vehicles and pedestrians who maintain a certain distance.

E), the vehicle can not be arbitrarily modified the original installation, modification by unauthorized vehicles event of a problem, we take no responsibility.

1, engine starter

1), insert the ignition key switch into ignition switch.

2), left standing brake blocks, and then clockwise rotation to the ignition switch the second tranche (starting position), while a small amount of oil right foot gradually increase, engine starter.

3), engine start-up, plus a small amount of oil gently back and forth, gradually warming the

engine to engine can operate normally, the state will not automatically flameout. (Note: doing this step, we must bear in oil stamping on the brake blocks. To prevent refueling, the vehicles move forward.)

2, starting: 1), left foot on the brake slowly loosened after the pump.

2), right foot gradually, slowly filling the door.

3, braking: the road, when there are obstacles in front of that (pedestrians, vehicles, goods), in order to brake security measures must be taken. Divided into braking deceleration braking, parking brake and emergency brake. (As the use of a vehicle brake in the form of three trailers, in the other car with the braking different-shaped)

1), braking deceleration

Braking is deceleration in the decrease throttle alone can not meet the requirements of deceleration taken under braking, under normal circumstances, only point left foot gently braze Block can be.

2), parking brake

Parking brake in the arrival at the destination, in order to accurately stop to stop in the position taken by the brake. Generally, when the speed is higher, slightly braze focus Block.

3), emergency brake

Emergency braking is in the face of unexpected emergency situations, in order to avoid incidents taken braking. Then minded response to fast and cool. Followed by the accelerator, and then stop at the car parked bit. These order and spacing is necessary also to science. These two moves very short interval of time is almost at the same time.

1, parking

Need parking, the cars parked in a safe-ventilated places, locked, keys removed. If there is time, it can conduct the inspection parking, including lighting, fuel quantity, lubricant level. If failure should be immediately ruled out.

6. Components and Operation Introduction

6.1 Location of Components

See Picture 1.1

6.2 Operation of Components

☆ Steer Wheel

Steer Wheel is used to control the direction of the off-road kart and the kart will turn right or left according to the corresponding operation.

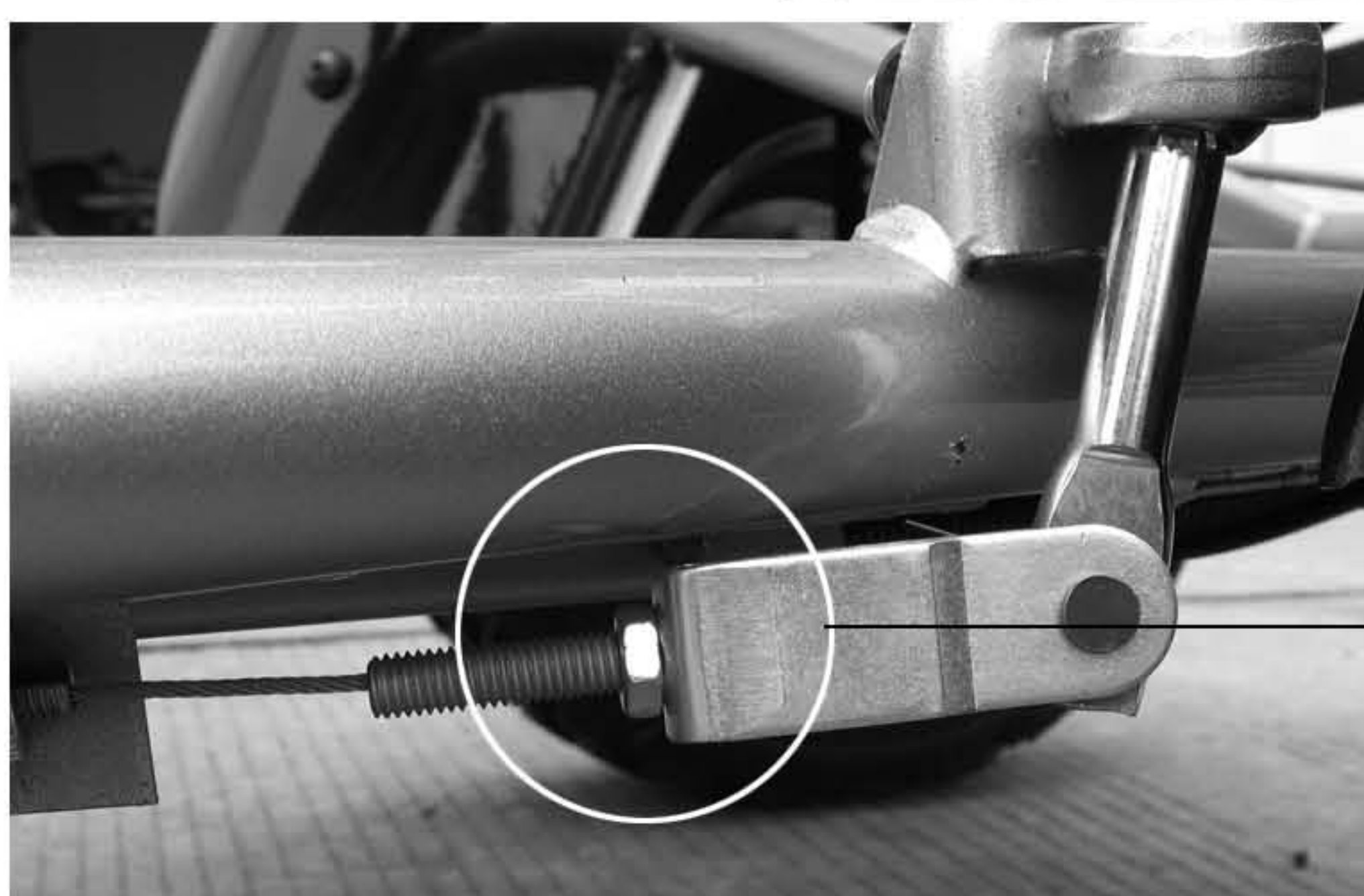
▲ Warning: You must keep the hands on Steer Wheel to avoid the losing control of the kart when driving the off-road kart. Otherwise it may cause serious accidents even death.

when step hard forward and the off-road kart will slow down.

▲ Warning: You must be skillful in the operation and the force Braking Pedal and Gas Pedal when driving initially Off-road Kart so that you can control the speed properly especially in the curves and among the karts.

☆ Gear-engaging Device

Forward Gear
Backward Gear



Adjust

If there is gear-engaging device in your kart, you must make clear the function and operating ways of each gear so that you can avoid the danger arising from the unexpected running.

The back gear device for 250 CC is located at the right and lower part of Steer Wheel.

The gear-operating ways for the engine are as follows:

Move the handle backward and locate the gear pole at the back gear, the kart will go backward.

▲Warning :

Attention : you must stop when conduct gear changes.

☆ **Turning Lamp Switch**

☆ **Light Switch**

☆ **Horn Switch**

The horn will be switched on if pressed and off if loosened.

☆ **Seat**

You can adjust the location of Seat by moving the hand lever under the cushion. You can move the hand lever right, and then move to the place necessary and loosen the hand lever. Attention: please resume the location of the hand lever.



Seat Adjuster
(back and forward)

☆ **Oil Tank (Cover)**

There is a blowhole on Oil Tank Cover, which should not be blocked.

The capacity of Oil Tank is 6.0 L. Please don't add the petrol no more than the neck bottom of oil feeding mouth when adding.

You must fasten Oil Tank Cover after finishing adding petrol.

☆ Hand Brake

The hand brake of 250 CC is located on the left of seat . The kart will be braked if you pull upward the hand brake when stopped and will be loosened if you put down the brake.



Hand bar brake

7. How to Drive the Off-road Kart Properly

▲ Special Attention:

1. The petrol in the oil tank and cooling liquid in the radiator have been emptied for the safe transportation. Before starting, please add petrol and cooling liquid to the defined place.

2. The kart has gear system and you must put the gear into neutral till the indicator is on (the gear indicator is in front of the frame) before starting the engine and then run the kart with the necessary gear.

7.1 Preparations before Driving

Such preparations are necessary as receiving the proper training and guidance, checking your off-road kart and making sure that it is in good condition and

learning the rules of driving safely. You must put on the protecting equipment, such as helmet and long-sleeve clothes.

7.2 Vehicle Check before Driving

It is necessary for you to spend few minutes on checking your off-road kart before driving so that you can save time and keep safe in the long-way driving. This include the following items:

a. Adding of engine oil

If you use it for the first time, you must add petrol and cooling liquid in it and check engine oil.

You must add oil to the engine in time according to the using requirement and the engine oil number is: SAE15W-40/SFA. total 1.18L,

▲ **Warning:**

Attention: Please don't add petrol or engine oil when the engine is running and keep the oil tank away from the heat resources and flame.

b. Quantity of Petrol

You must add petrol in time if the quantity of petrol is not adequate so that it will not break down on the way. You should check the leakage of Oil Tank. The petrol number is 90.

c. Adding of cooling liquid

When you use it for the first time or when the cooling liquid is not enough, you must add cooling liquid to the water tank. The cooling liquid must be mixed by a specific ratio. It is 60% water and 40% coolant in

summer , 50%:50% in winter. The water must be distilled water or boiled water. The volume of cooling liquid is 1.42L. You should be careful and slow to open the cap of radiator when adding cooling liquid for that water maybe is hot.

d. Brake

Please check the operation of the brake and adjust the free path when necessary.

e. Tires

You should check the tightness of the screw bolt and screw nut, the state and the air pressure of the tires to see if it is suitable to drive

f. Accelerator

Please check the accelerator if it can move freely and if it can resume its position.

g. Ignition Key and Blanket Switch

Please check the joints and plugs if they are tight and work properly.

h. Screw Bolt, Screw Nut, Fastener

Please check the wheel axles to see if the screw bolts are tight and to see if the other screw bolts and screw nuts are tight and reliable. You must make sure that the screw bolts of Steer Wheel is tight and reliable and the front wheels turn in the same direction of Steer Wheel freely.

i. The Lower Part of Vehicle and Exhaust System

Please check and clear the dust, plants and the other foreign substances that will possibly cause fire or wrong operation.

You must clear all the faults before driving and you can also ask help from the dealer of franchiser if you fail to do so.

▲ Warning: It will increase the possibility of the accidents if you don't check the vehicle and clear the faults before driving. You should check it according to the procedures and maintenance in the Manual and make sure that the vehicle is in good and safe condition.

7.3 Steps of Start the Engine

☆ Put the vehicle on the flat place.

☆ Put Ignition Key to the location of starting the engine, with no more than 10 seconds every time.

Please press slightly Gas Pedal and repeat the above-mentioned steps if you fail to start it for several times.

7.4 Running-in

Please don't run at a too fast speed or even tread Gas Pedal to the bottom in the first few weeks driving the new vehicle. The right way to run in the engine will be of great help for the life and performance. It will be better to run in the engine at a various revolving speed.

7.5 Driving

You should choose a safe and flat place without any obstacles and vehicles to conduct the initial driving.

After starting the engine and allowing running for a moment for warming-up, you can drive by grasping Steer Wheel, seeing the front ways and treading Gas Pedal gradually.

7.6 Turning

You should control the speed properly when turning and it will be difficult to run in the expected direction and track if you run at an excessive speed.

You should use Gas Pedal and Braking Pedal properly to ensure the security when turning. And you should lurch to the turning direction.

▲ Attention: You should practice the turning at a low speed firstly and increase the speed gradually to get familiar with the operating features of the off-road Kart.

7.7 Stop

It will be better for you to choose a flat place to park the vehicle.

When parking, you should loosen Gas Pedal and tread Braking Pedal, reducing the speed until it stops.

After parking the Kart, you can loosen the brake pedal only after pull up the hand brake so that you can avoid the automatic moving.

8. Maintenance of Mini Off-road Kart

8.1 Routine Maintenance

The following is the routine maintenance table. It is make according to the general situation and you must conduct the maintenance more frequently if the driving environment is worse and dust is more.

Cleaning

1, in order to keep the car clean and protect the surface appearance of the painting, electroplating, should regularly or irregularly its cleansing. When cleaning, use of external surface irrigation water will wash the soil. Use a soft cloth or sponge dip cleaning liquid bubble gently cleans the outer surface, to avoid residual gravel surface and paint scratches electroplating layer. Finally reuse water for irrigation.

2, attention:

Rinse, to avoid using the high-pressure water erosion under parts:

- (1) ignition switch;
- (2) below cushion;
- (3) The exhaust pipe muffler exports;
- (4) air filter inlet.

After the car wash thoroughly dry, and then start engine, running for a few minutes. Finally repeatedly braking performance brake inspection and adjustment until braking performance standards so far.

Special Note: in the hot engine, the first will not wash. Engine room temperature with the same question again when cleaning.

Storage:

If the park does not need to use a long time, in order to maintain a good state of the car,

you please address the following methods:
1), select the right parking place. The location should have security, ventilation, moisture-proof, anti-freezing conditions.

2), for engine lubricants.

3) in the fuel tank and the carburetor fuel release all net, oil stored properly. Within the fuel tank and sprayed with anti-rust oil. Note: Do not overlook the release carburetor net residual oil. Otherwise, no need for a long time, the surface of the plastic fuel carburetor of holes to plug, re-use of the car when trouble.

4) Throw out the cooling liquid of engine and water box.

Warning: volatile fuel in the fuel emissions, the engine must be stopped operating in the ventilation good place to prohibit smoking ban on the use of open flame and sparks objects.

4) In order to prevent cylinder rust, we should adopt the following measures:

Remove spark plugs, A Spoonful (15 ~ 20 m) from the clean engine oil into the cylinder spark plug hole with a piece of cloth cover spark plugs holes starter motors, mobile number to Detroit from top to bottom so that the oil in the cylinder wall are cloth. Finally, the spark plugs and spark plug cap installed.

5) Battery demolition down, stored in antifreeze,

sunscreen, and other items collision difficult places. Every two weeks an additional charge.

6) wash and dry your car, all the paint to paint waxing, all chrome to the painted surface anti-rust oil.

7) to inflatable tires, tire pressure up to the required standard air pressure. After stopping the car will be good, with shelves or pieces of wood and other wheels will be boosted so that the wheel does not contact with the ground.

8) will cover the car to prevent the dust down. Do not use plastic sheeting to things such as gas-tight coverage, as there are for the mechanical vapor corrosion

The re-use storage

1) Remove the guards cover the car, clean the body. If placed more than four months, the need for replacement of engine oil.

2), the battery will be sufficient to re-installed on board.

3) add fuel to the fuel tank.

4) top up the cooling liquid of water box

5) all of the pre-inspection lane.

6) before traveling during the next regular session, a choice open, pedestrian areas for less performance inspection, confirmed Properties normal traffic could resume normal rear

▲ Warning: You should cut off the engine when conducting maintenance and otherwise it will possibly damage the moving and hot parts.

▲ Warning:

1. When conducting maintenance, please read the operation guidance and warning signs and prepare the necessary tools and auxiliary materials.

2. The clean, flat, ventilating and bright place should be chosen to conduct the maintenance. The engine should be stopped unless necessary. Please choose the real products if it is necessary to change the components.

3. Please ask help from dealers of franchiser if you can not conduct the maintenance by yourself.

4. It will be better for you to ask the dealers of the producer to repair or maintenance the items with “*”, unless you have enough tools, maintenance parameters and experiences.

Maintenance:

Regular maintenance / lubrication:

Maintenance projects	The maintenance cycle	Maintenance time	time			
			The first month	The first two months	The first four months	The first six months
※	Fuel System pathway	Every two months	I	I	I	I
※	Fuel Filters		C	C	C	C
	Throttle operating system		I	I	I	I
	Carburetor resistance throttle			I	I	I
	Air Filters		C	C	C	C
	Spark Plug			I	I	I
※※	Valve Clearance		I	I	I	I
※	Engine lubricants	Annual R	R	R	R	R
※※	Lubricants filters	Annual R		C	C	C
※	When the tension of the chain is		A	A	A	A
	Carburetor Idle		I	I	I	I
	The chain drive		I、L	I、L	I、L	I、L
※	Battery	monthly	I	I	I	I
※	Brake - wear			I	I	I
※	Braking System		I	I	I	I
※※	Brake fluid hose	Every four years		I	I	I
※	Brake Fluid	Every two years	Each replacement of every two years			
※	The rear brake light switch		I	I	I	I
※	Headlamp / rear light		I	I	I	I
※	Clutch		I	I	I	I
※	rear Suspension		I	I	I	I
※	Nut bolts, fasteners		I	I	I	I
※	Cooling system	Before every driving	I、P	I、P	I、P	I、P
※	Wheels		I	I	I	I
※※	redirector		I	I	I	I

*: We propose that these items should be COOLSTER repair station for maintenance services.

** : Medium weight wheel bearing grease.

8.2 Sparking Plug

- ☆ Take off the cap of Sparkling Plug.
- ☆ Dust the tray of Sparkling Plug.
- ☆ Take out Sparkling Plug by wrench.
- ☆ Inspect the electrode and replace it if the electrode and the nonconductor are burnt in a improper way.

☆ A new one should be installed if Sparkling Plug is apparently burnt or the nonconductor is broken.

☆ Inspect the distance between the electrodes. The normal distance is 0.61-0.71 mm. You must make it to the right place carefully if the distance is not proper.

☆ Please drive the screw by hand if installing Sparkling Plug to avoid sliding-filament.

☆ After the above-mentioned step, you can drive fasten it 1/2 circle (for new Sparkling Plug) or 1/4 – 1/8 circle (for used Sparkling Plug) by the special wrench for Sparkling Plug.

▲ **Attention:** You should tighten Sparkling Plug and otherwise it will cause the damage of engine as a result of overheating.

8.3 Air Cleaner

Routine cleaning is necessary because dust will be left in Air Cleaner during the use. Frequent cleaning should be conducted if driving in the dusty area.

8.3.1 Cleaning of Air Cleaner

- ☆ Take off the plastic protecting jacket.
- ☆ Take off the cover of Air Cleaner.
- ☆ Take the filter out of the of Air Cleaner.
- ☆ You can clean the cleaner in the dissolvent of inflammable and high flash point. Then soak the filter in the clean engine oil for 5 minutes and squeeze out the rest engine oil.

▲ Attention: You should not tighten it to squeeze out the rest engine oil and the otherwise will damage the filler.

- ☆ Dust the empty Air Filter Box, the cover and the entrance and place the dry filter into Air Filter Box.

8.4 Brake Staff

Disk Brake is adopted in the vehicle and you should inspect the free path of Brake Pedal, the joints of the braking system and the leakage.

Routine inspection is necessary for the braking disks to make sure that it doesn't reach the extreme points.

☆ Free Path of Brake Pedal

The distance between the initial position of the pedal and working position means Free Path of Brake Pedal.

☆ It is necessary for you to replace the braking disk if it is less than 3 mm thick.

☆ Please replace the braking pedal if it is not active.

Please pay attention to spring, screw bolt, linchpin and the pipe when replacing.

8.5 Accelerator

☆ The Free Path of Accelerator is 3– 5 mm, which can be measured from the initial position to the position where the revolution begins to rise.

☆ It is necessary to adjust Accelerator Cable and the screw nut in the end of Carburetor if Free Path of Accelerator is not in its proper distance. You should lock it after adjustment.

☆ Please replace Accelerator Cable if it is damaged.

☆ Inspect the return spring of Accelerator Pole and replace if it can not work properly.



Accelerator distance adjuster

8.6 Tire Check

☆ The tires of the vehicle are low pressure ones, the proper pressure should be:

Front Wheels: 19×7-8 Air Pressure 11 P.S.I

Rear Wheels: 22×11-10 Air Pressure 7 P.S.I

The over-high or over-low Air Pressure benefits nothing to the proper performance. The measure of Air Pressure should be conducted under the cool state.

☆ **Depth of Tire Checker**

Please check surface and side and make sure that there is no crack on it, no foreign substances in it and no leakage of air. You should replace the tire if the depth of tire checker is less than 2 mm.

8.7 Battery

☆ You must connect the red wire to "+" pole and the black wire to "-" pole when installing the battery. You should replace the battery if it cannot store electricity. Generally speaking, battery should be replaced every 2-3 years.

☆ **Safety Wire**

Safety Fuse must be installed in the safety wire box. The size of the safety wire is 15 A.

If safety wire is frequently damaged, there is possibly a short circuit or over-loading.

The change of Safety Wire:

- a. Open safety wire box and take out the safety wire plate.
- b. Insert the new safety wire plate into safety wire box.
- c. Resume the cover of safety wire box.

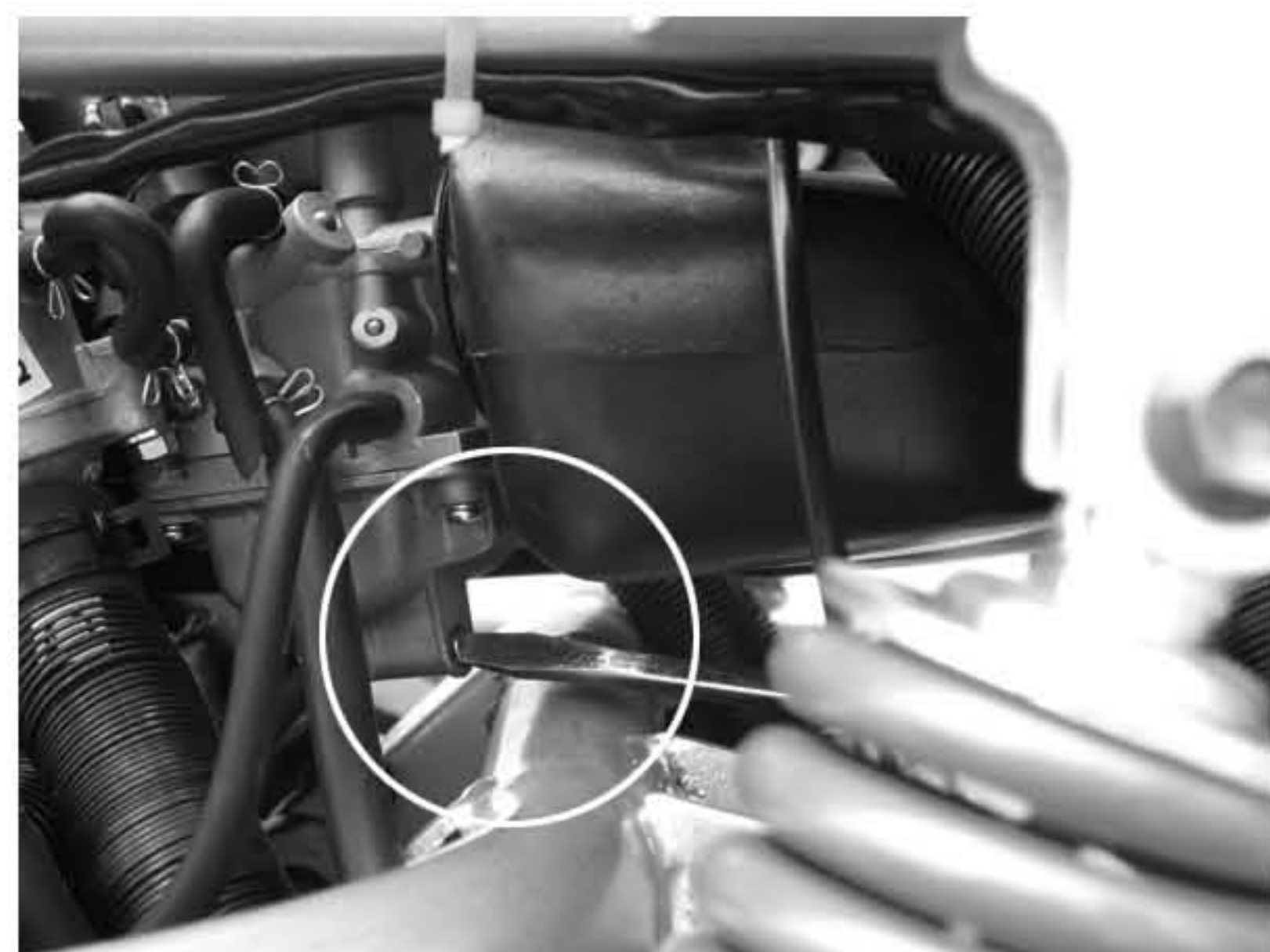
8.8 Carburetor

The idle speed adjusting screw bolt on Carburetor is used to adjust the speed of idle speed. Tighten the screw and the speed will slow down; loosen the screw and the speed will speed up. You must adjust the speed to the lowest stable position when adjusting.

The rest inspections of Carburetor need certain experiences and please contact the dealers of franchiser for technicians' help.



Idle adjusting department

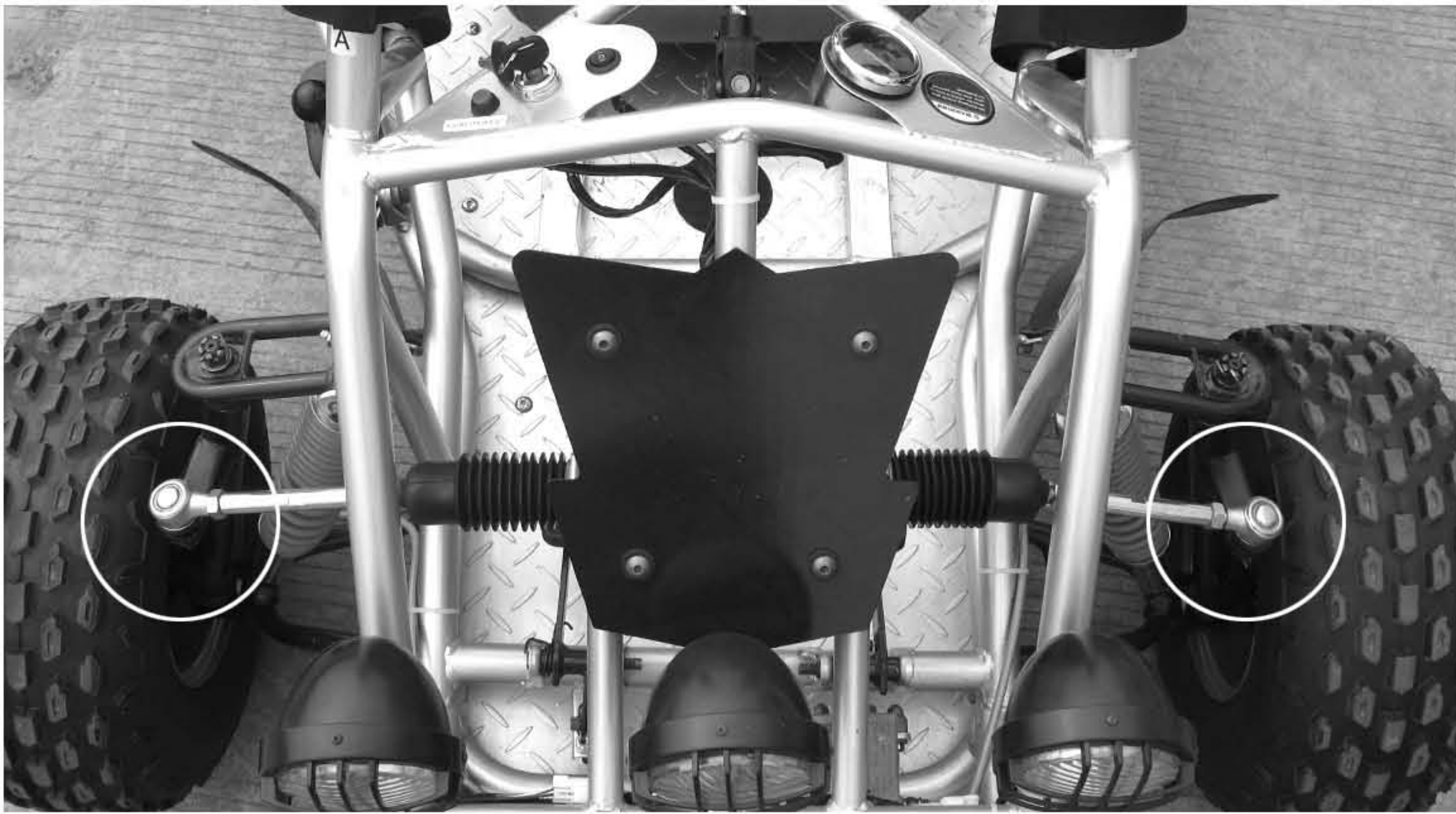


The carburetor release oil

8.9 Steering System

Routine screw inspections for the Steering Pole, Steering Machine and Turning Pole are necessary.

Front Wheels: You adjust them by Turning Pole and the distance is 3-6 mm.



Adjusting nut for direction

Users required reading

When you use the COOLSTER beach car parts manufacturing in material or adverse circumstances, the Company will provide you warranty service, which is conducted vehicle warranty adjustments, the repair or replacement of parts.

1, the duration and scope of warranty

Invoices from out of the car on the date of warranty time? Years.

✘ no warranty matters:

1), testing, processing, prices of vehicles:

2), Lamp head, fuses, spark plugs, lubricants;

3), the use, maintenance or improper or errors in the negative;

4), self demolition repair, modification, overload traffic;

5), did not affect the mechanical properties of the perceived phenomenon, such as voice, vibration, oil, etc.;

6), because of natural disasters caused by human error or bad;

7), due to storage, transportation mismanagement or over the adverse storage period, the deterioration and degeneration.

2, users must do checks

* Instruction manual was introduced by the various operators, inspection and maintenance methods is to make you safe, comfortable vehicle

use of the most essential and most basic knowledge, you must comply with the requirements in the instruction manual, is under use and regular maintenance. If ignored this inspection, maintenance or fail to comply with the provisions of adverse use, the warranty will not be available for you to understanding.

- * Please shown on the statement of compliance with the new driving regulations and operating methods used to implement the check before driving, day-to-day maintenance, regular maintenance.

- * Click maintenance requirements indicated in the table periodic replacement parts and grease category.

- * When you vehicles in the worst road, or dusty areas in a more general use of the right to use the high-rate state, please shorten the duration of a special inspection and maintenance

3, the method of receiving warranty

- * When you buy this car, please bring this within a month warranty cards, car invoices, sales units to designated repair maintenance.

- * The warranty card is the card made it clear that the conditions for free repairs for a lease, over the warranty period the undesirable situation at their own expenses.

※ accept warranty sales is the place of the maintenance unit designated points.

※ warranty at the same time, provide car back to the preservation and repair invoices card.

* Reference to the details of the warranty warranty details.

※ sell cars without warranty card units sealed invalid.

The new machine running –

In order to make vehicle engine has good performance and the use of durability, the new running-in period for 1000 KM.

Vehicle Engine relative movement for many of the parts and components, such as piston ring and cylinder block, mutual engagement, such as the transmission gear. Running-operation will enable the movement of cross-adaptation, calibration work space and create a good big load to bear the smooth friction surface, it was traveling in the 0–1000 KM the general requirements are:

Vehicle engine must be running-in strict accordance with the provisions of traffic.

Engine work, the throttle rotation should slow, the process can not be sudden small.

As far as conditions are better on the road, not long climbing and downs on the road.

Maintain lubricants Road unimpeded.

Avoid coupe or in the absence of engine load, high-speed operation.

During the run-in accordance with the provisions of day-to-day maintenance and periodic maintenance, found fault and remove.

After the run-in, we must carry out the washing of crankcase oil change, removing the top of piston cylinder head combustion chamber

and carbon deposition, adjusting spark plug electrodes and Valve Clearance to check whether lubricants Road unimpeded, according to a statement calling for a unit more comprehensive maintenance inspection adjustment only after gradually entering the normal line exit stage.

50 hour maintenance

1. The completion of day-to-day maintenance
2. Eliminate air filter and air filter with the cassette filter dust (does not allow any water or oil disseminated), such as filter too much or Humidity dust immediate replacement should avoid inadequate intake fell from power.

Air filter filter replacement approach (see P47 picture I)

Loosen five air filter lid screws ② and removed the lid ③

Twisted Pine screw ④

Since the air filter out air filter containing filter core ⑤

The new filter will be installed air filter box and tighten the screws

Installed air filter lid, and a good five-twisting screw.

With cassette air filter maintenance methods (see P47 picture II)

Discard the left posterior – boards

① twisting loose screws, removed by the air-filter element removed③ and covered ②

The use of non-combustion of high flash point solvent or wash the filter clean and fully dried.

Warning: Do not use gasoline or low flash point solvent cleaning filter.

Note: Do not put any in the filter, oil or other lubricants, otherwise, or may affect engine power.

Replacement bins oil deceleration method (see P47 picture III)

Discard bolt hole covered ② oiling ① bolts and oil spills

Note: oil spills, the engine to have a certain temperature to ensure the safe and speedy clean oil spills

The oil spills bolts pals after re-installed and twisting tight

From oiling plug holes ③ slowly injected into lubricants, lubricants begin until the overflow from the time of injection hole

Good oil increases after Reload good oiling bolts and twisted bear.

Inspect cooling device

Check water tanks, the leaking water pipes

Check whether the water in the water tank of

the ceiling UP LOW ③ ① and lower limits between the water tank not open the Deputy covered ② supplementary cooling water to partial ceiling location (See P47 picture IV)

100 hours maintenance

1. Completed 50 hours maintenance
2. Discard cylinder head, cylinder block removal of cylinder head, cylinder, the piston top, intake and exhaust doors, and other parts of carbon deposition.
3. Crankcase internal cleansing, cleansing process of constantly rotating crankshaft to achieve the cleansing main bulk of needle roller bearings and connecting rod bearing purposes.
4. Check motor stator magnetic whether fastening screws loose. Plug and electrical components remain dry and clean.

150 hours maintenance

- 1 to complete 100 hours of maintenance
- 2 Cleaning and replacement of oil crankcase
- 3 to check whether the oil seal leakage, if necessary, replacement

300 hours maintenance

- 1 complete 150 hours maintenance
- 2 Clutch Transmission check whether each part of the normal and, if necessary, adjust or replace

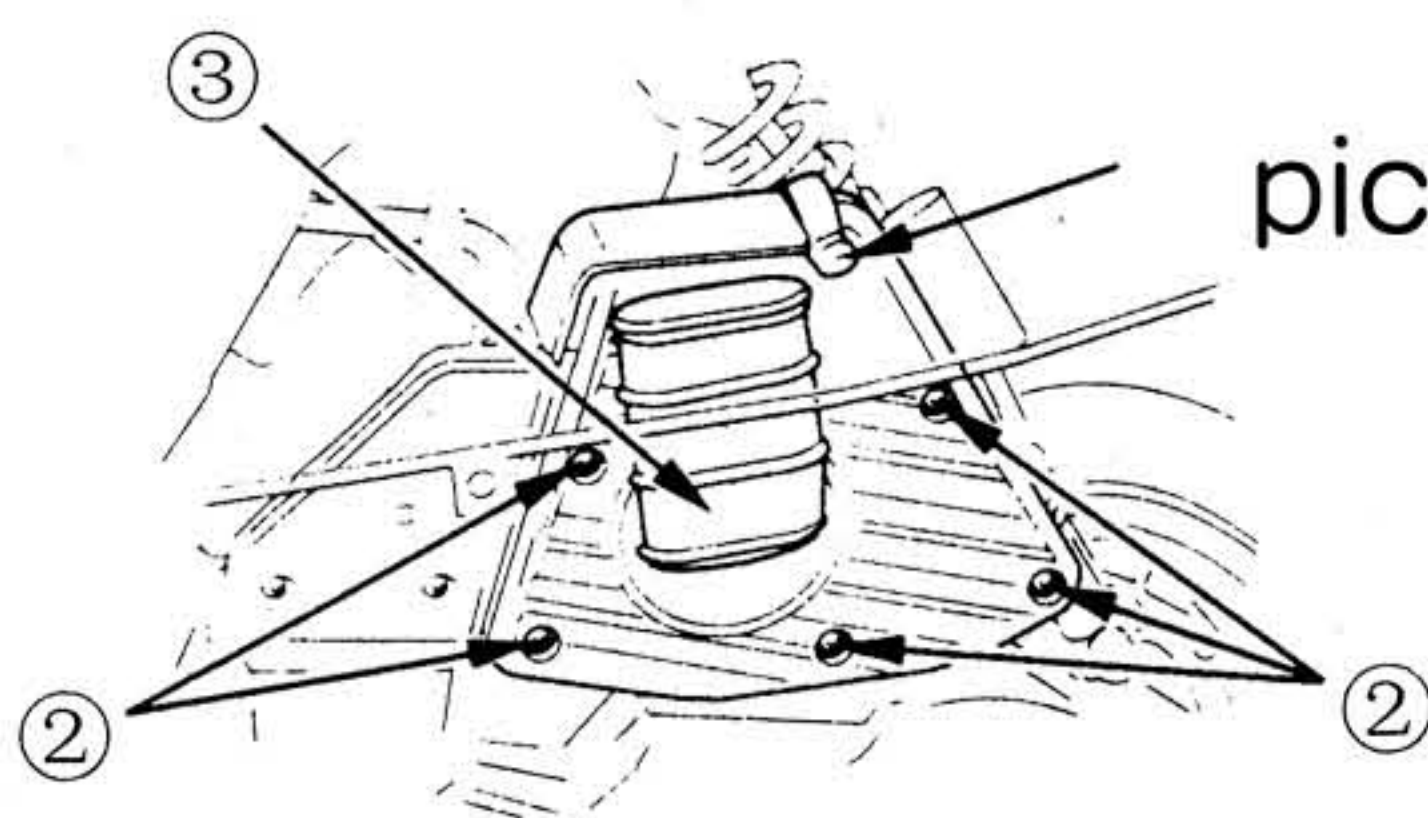
500 hours maintenance

1 complete 300 hours maintenance

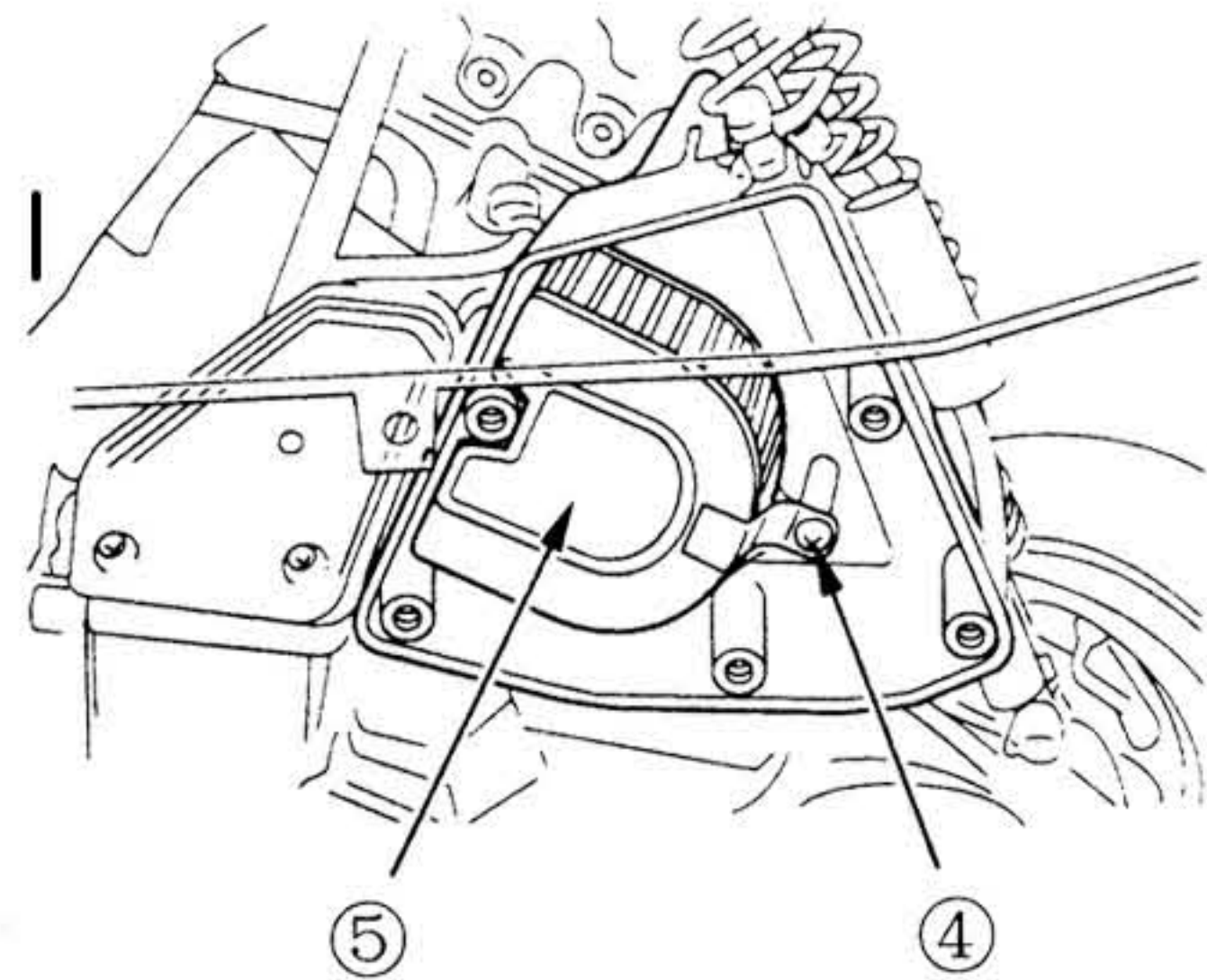
2. Demolition hosts (except crankshaft connecting rod), cleaning parts wear vulnerability check the situation. If necessary, repair or replacement.

3 cooling fluid replacement

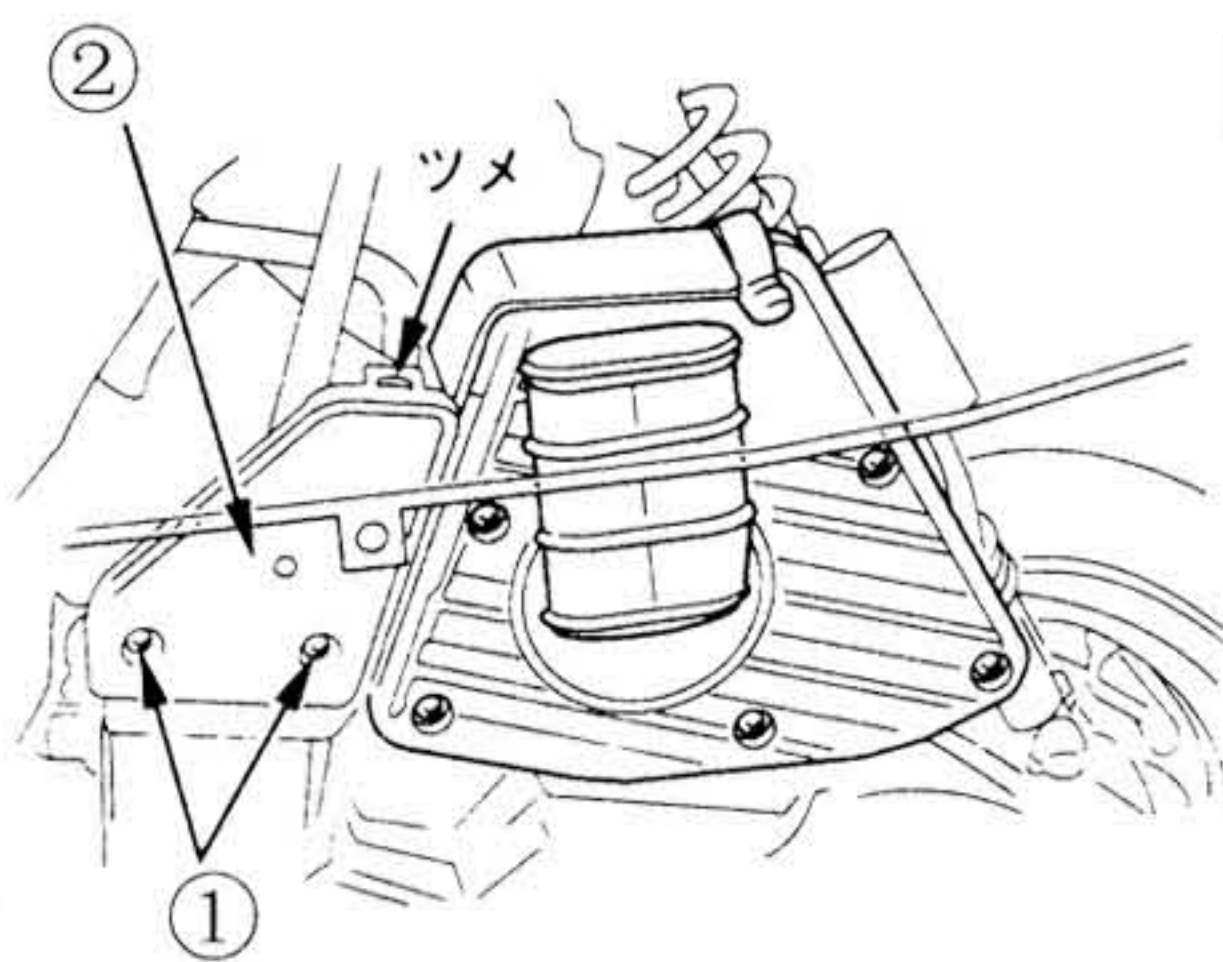
More than a gasoline engine operation cumulative time basis



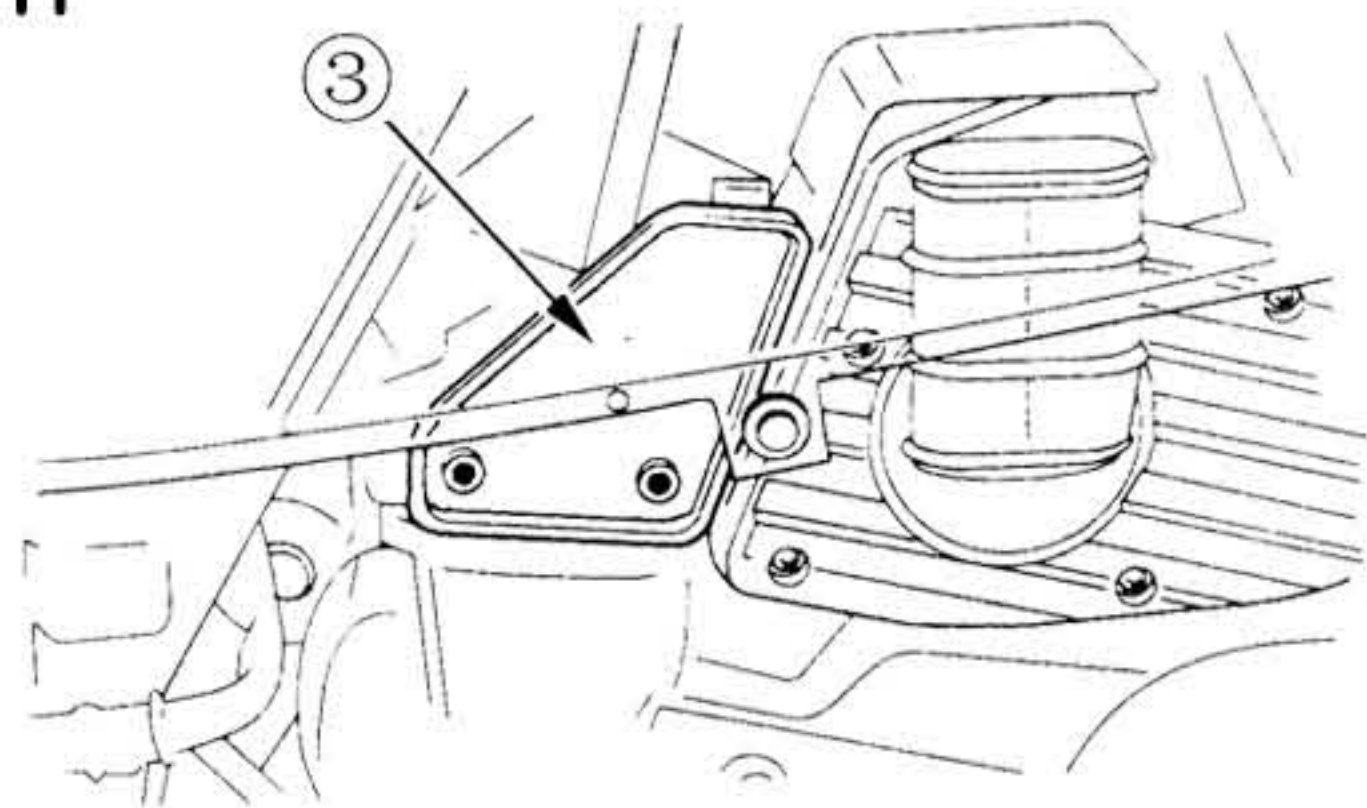
picture I



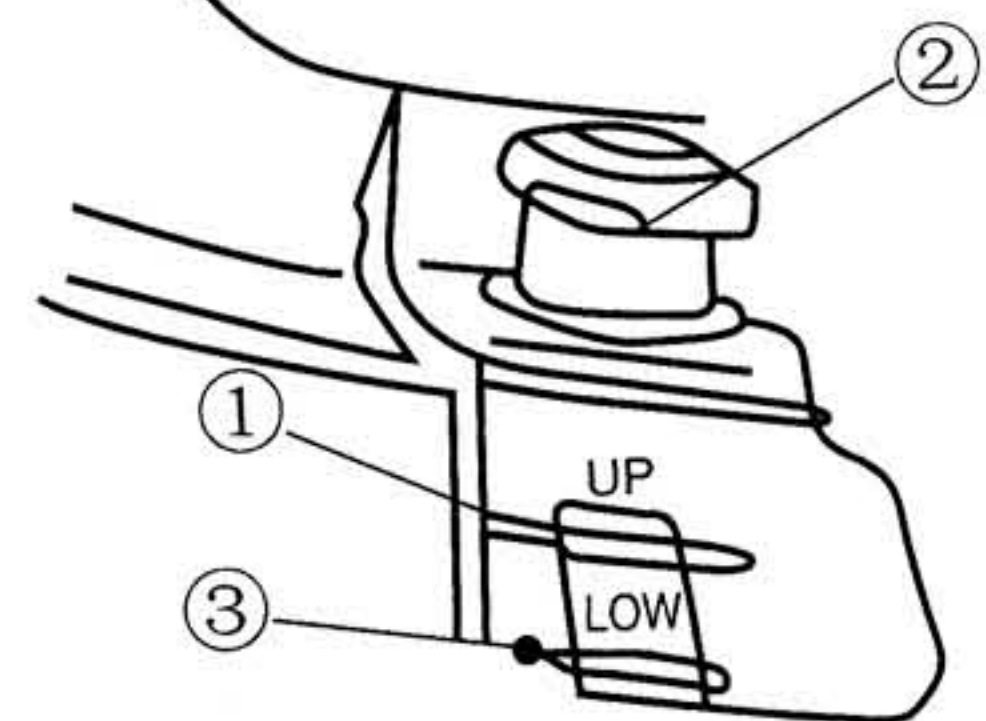
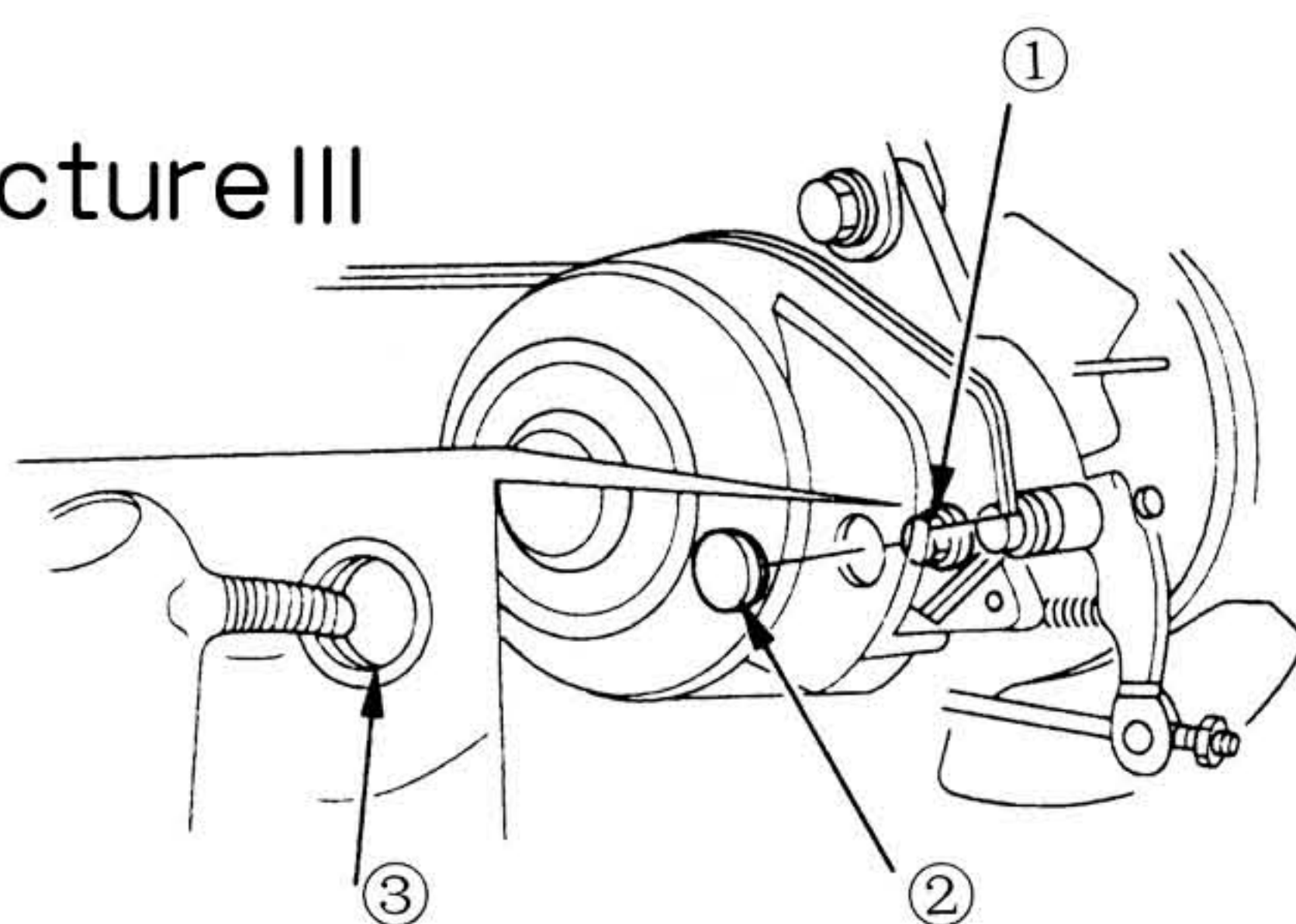
picture II



picture III



picture IV



Specifications

1. The main specs of size

1.1 Model dimensions: 2240X1260X1350(LxWxH)

1.2 Wheel base

a) wheel base front: 1060mm

b) wheel base rear: 970mm

1.3 wheel base: 1450mm

1.4 seat height: 340mm

1.5 ground clearance: 155mm

1.6 slippery: 78°

1.7 minimum turning radius: 3500 ± 300 mm

1.8 steering angle: left \ right $35^\circ \pm 1^\circ$

2. the main quality specs

2.1 dry weight: 238kg

2.2 max equipment weight: 305kg

2.3 max load: 75kg

3. engine specs

3.1 engine no: 172MM

3.2 engine type: water-cooled.cylinder.four stroke overh-
tad camshaft vertical structure

3.3 Bore x stroke: 72x60

3.4 cylinder work vol: 244CC

3.5 compression ratio: 10:1

3.6 max power: 11/7000Kw/r/min

3.7 max torque: 17.6/5500Nm/r/min

3.8 the mini speed unlade stability

1600 ± 150 r/min

3.9 gas type: $\geq 90\#$

3.10 lubricant type: SF 15W/40

3.11 crankcase lubricants capacity: 1000ml

3.12 gearbox oil vol: 180ml

- 3.13lubrication system: pressure spatter
- 3.14starting system: electric
- 3.15ignition: CDI
- 3.16clutch type: CVT auto cvt clutch
- 3.17transmission: auto cvt
- 3.18carburetor no: PD30
- 3.19carburetor type: vacuum
- 3.20spark plug no: D7RTC
- 3.21spark plug space: 0.6–0.7
- 3.22vent–pipe type: buffer
- 3.23fuel tank capacity: 8L standby:1.5L

4. operating system

4.1suspension system

- a)suspension front: traverse double–arm
- b)suspension rear: non–independent suspension

4.2shock absorber type

- a)shock absorber front: hydraulic spring
- b)shock absorber rear: hydraulic spring

4.3 tire specs pressure

- a)tires front: 19X7.00–8pressure=7Psi
- b)tires rear: 22X11–10pressure=7Psi

5 brakes system

Brakes front

Brakes rear: hydraulic disc foot brake three brake dragging

6 Electric equipment

- 6.1front light: 12V35/35W
- 6.2Generator: non–contact outside the rotor flywheel
- 6.3Battery: 12V9AH
- 6.4Rear light: 12V21/5W

GK-6250ELECTRIC DIAGRAM

