

Carter

A Better Built Machine.

Parts Manual



INTERCEPTOR GTR 250 **MODEL:2861- Differential**

This kart is designed for off-road use only
and does not comply with Federal Motor Vehicle Safety Standards.

Recommended for Ages 16+

GTR 250 PARTS MANUAL

INDEX TO ENGINEER GROUP

Head Cover -----	Fig.1
Cylinder Head Comp -----	Fig.2
Cylinder Assembly -----	Fig.3
L Cover Assembly -----	Fig.4
L Crank Case -----	Fig.5
R Crank Case -----	Fig.6
R Case Cover -----	Fig.7
Movable Drive Face -----	Fig.8
Crank Shaft -----	Fig.9
AC Gen Flywheel -----	Fig.10
Balance Shaft -----	Fig.11
Mission Case -----	Fig.12
Oil Pump Assembly -----	Fig.13
Cylinder Head Side Cover Assembly -----	Fig.14
Driven Pulley Set -----	Fig.15
A.I.C.V.Assembly -----	Fig.16
Carburetor Assembly -----	Fig.17

INDEX TO FRAME GROUP

Frame Group -----	Fig.18
Steering Shaft Assembly -----	Fig.19
Suspension Arm Assembly -----	Fig.20
Rear Cargo Rack/Seat/Belt -----	Fig.21
Engine/Muffler/Air Cleaner -----	Fig.22
Rear Swing Arm -----	Fig.23
Rear Housing -----	Fig.24
Wire Harness/Electrical -----	Fig.25
Trail Board -----	Fig.26
Tool Kit -----	Fig.27
Warning Stickers -----	Fig.28
Stickers -----	Fig.29

FIG.1 HEAD COVER

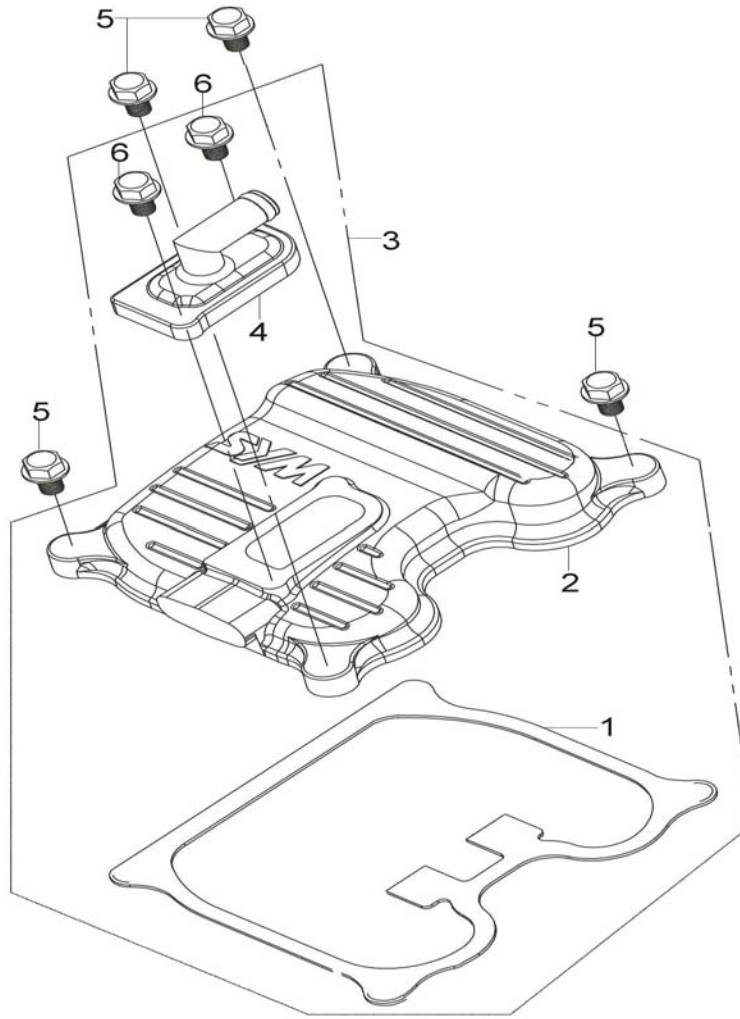
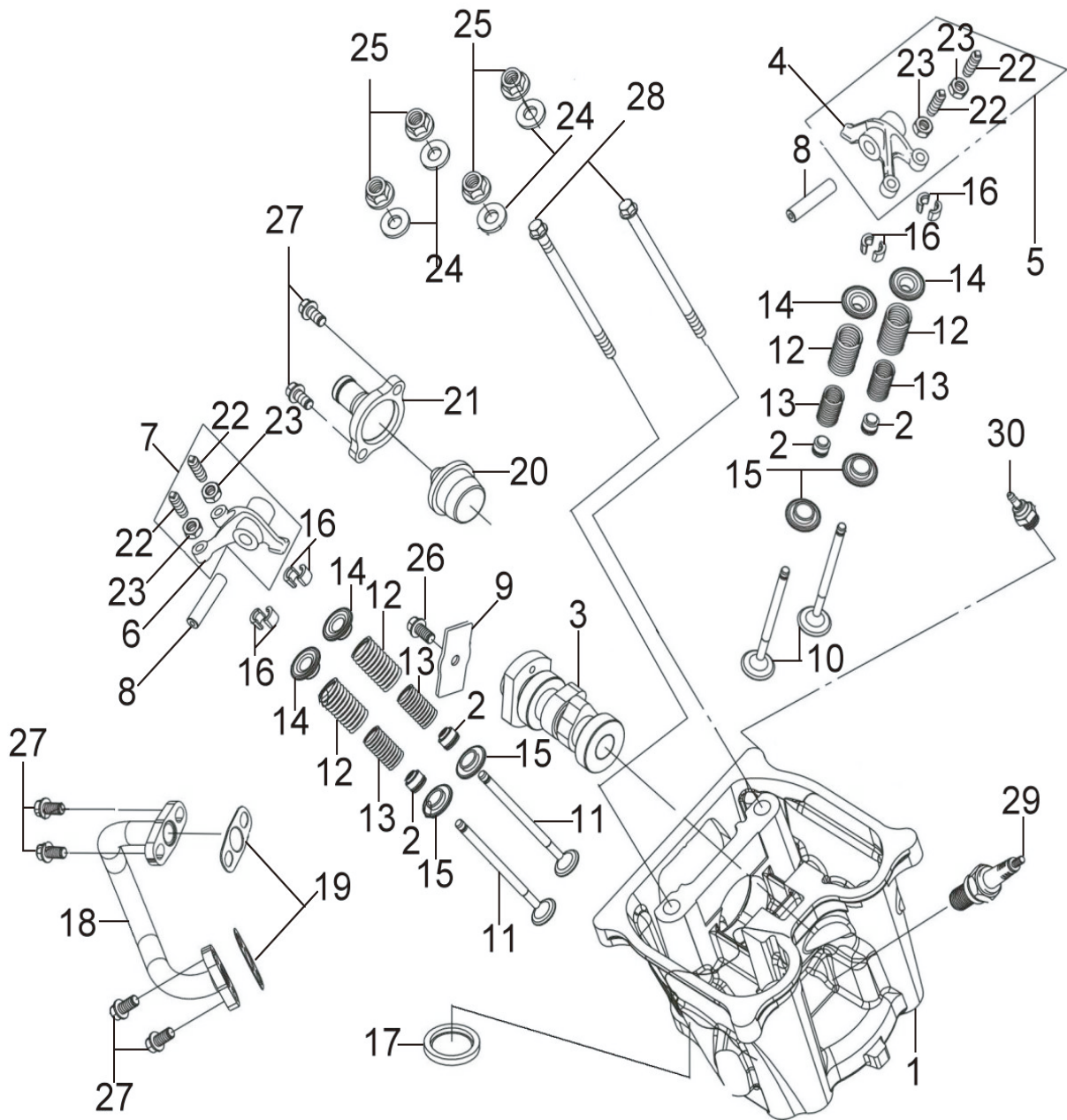


Fig.1 HEAD COVER

REF.	PART NO.	DESCRIPTION	QTY
1	8240-3107	Head Cover Gasket	1
2	8213-3001	Head Cover	1
3	8213-3002	Head Cover Assy.	1
4	8213-3003	Reed Valve Comp	1
5	8200-3190	Head Cover Bolt	4
6	8100-0161	Flange Bolt SH 6x16	2

FIG.2 CYLINDER HEAD COMP



GTR 250 PARTS MANUAL

Fig.2 CYLINDER HEAD COMP			
REF.	PARTS NO.	DESCRIPTION	QTY
1	8213-3004	Cylinder Head Comp.	1
2	8213-2002	Valve Stem Seal	4
3	8213-3005	Cam Shaft	1
4	8213-3006	In Valve Rocker Arm	1
5	8213-3007	In Valve Rocker Arm Assy.	1
6	8213-3008	EX. Valve Rocker Arm	1
7	8213-3009	EX. Valve Rocker Arm Assy.	1
8	8213-3010	Rocker Arm Shaft	2
9	8213-3011	Cam Shaft Setting Plate	1
10	8213-3012	In Valve	2
11	8213-3013	EX. Valve	2
12	8257-3011	Valve Outer Spring.	4
13	8257-3012	Valve Inner Spring.	4
14	8213-3014	Valve Spring Retainer	4
15	8213-3015	Valve Spring Seat	4
16	8213-0009	Valve Cotter Set (4pcs/set)	8
17	8213-0010	EXH. Pipe Gaske	1
18	8240-3313	Air Pipe Comp	1
19	8240-3109	Air Pipe Gasket	2
20	8213-3017	Thermostat Assy.	1
21	8213-3018	Thermostat Cover Comp	1
22	8200-3405	Tappet Adjusting Screw	4
23	8200-0291	Tappet Adjusting Screw Nut	4
24	8200-3509	Sealing Washer 10.5mm	4
25	8100-0212	Flange Nut 10mm	4
26	8200-0163	Flange Bolt 6x14	1
27	8100-0161	Flange Bolt SH 6x16	6
28	8200-3115	Flange Bolt SH 6x90	2
29	8213-0012	Spark Plug (CR8E)	1
30	8213-0019	Thermo Unit Assy	1

FIG.3 CYLINDER ASSEMBLY

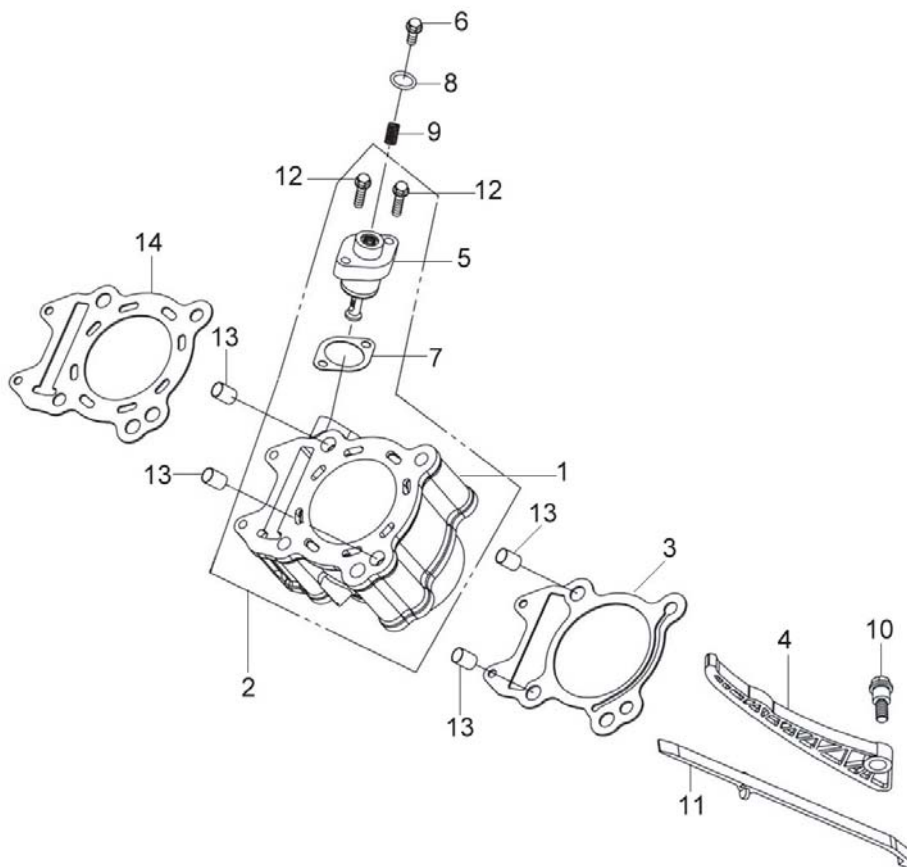


Fig.3 CYLINDER ASSEMBLY			
REF.	PART NO.	DESCRIPTION	QTY
1	8213-3019	Cylinder Comp	1
2	8213-3020	Cylinder Assy.	1
3	8240-3105	Cylinder Gasket	1
4	8213-3021	Cam Chain Tensioner	1
5	8213-3022	Tensioner Lifter Assy.	1
6	8200-3191	Adjuster Bolt-cylinder	1
7	8240-3108	Tensioner Lifter Gasket	1
8	8200-3606	O-Ring H6T	1
9	8257-3013	Adjuster Spring-cylinder	1
10	8213-0035	Cam Chain Tensionerpivot	1
11	8213-3023	Cam Chain Guide	1
12	8200-0167	Flange Bolt SHF 6x22	2
13	8200-3301	Dowel Pin 12x20	4
14	8240-3106	Cylinder Head Gasket	1

FIG.4 L COVER ASSEMBLY

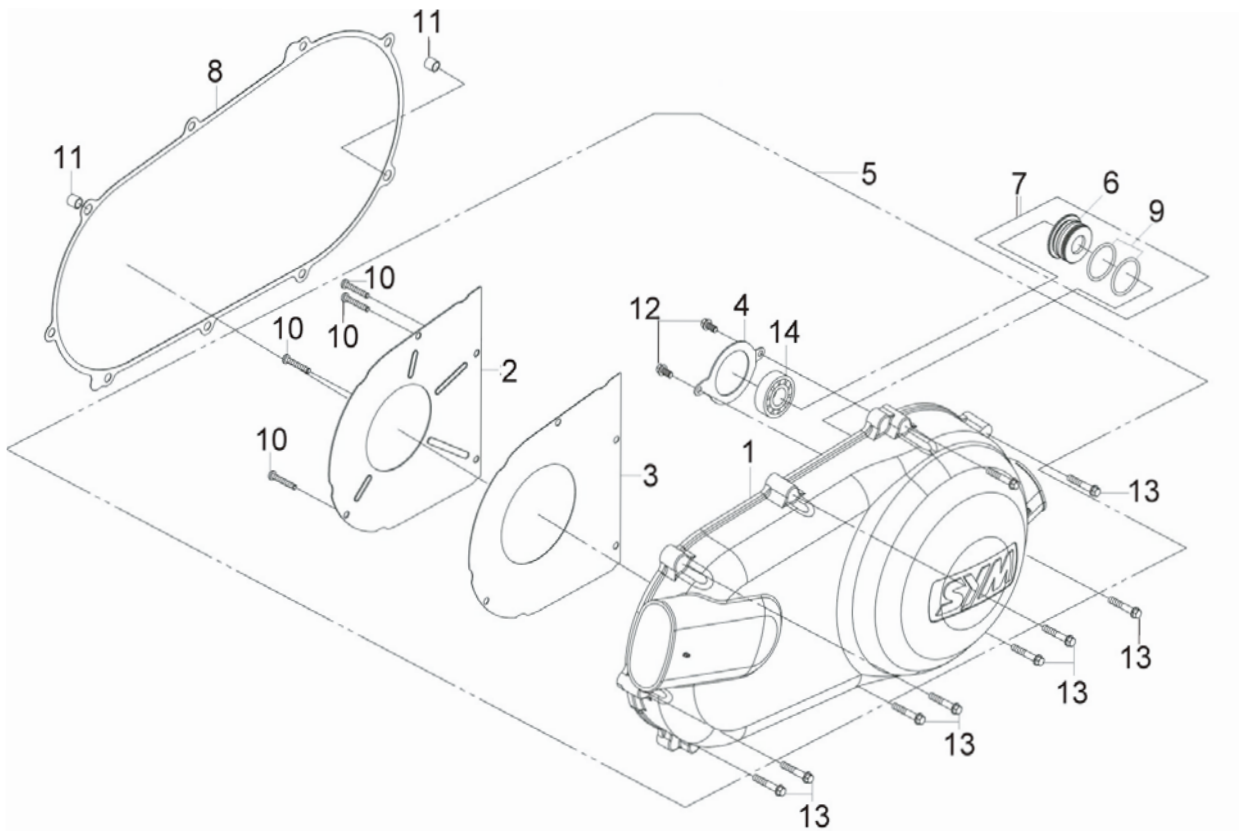


Fig.4 L COVER ASSEMBLY

REF.	PART NO.	DESCRIPTION	QTY
1	8213-3024	L Cover	1
2	8213-3025	L Cover Plate	1
3	8240-3102	L Cover Plate Gasket	1
4	8213-3026	L Bearing Setting Plate	1
5	8213-3027	L Cover Assy.	1
6	8213-3028	Bearing Stay Collar	1
7	8213-3029	Bearing Stay Collar Assy.	1
8	8240-3104	L Cover Gasket	1
9	8200-3602	O-Ring 26.5x2.0	2
10	8200-3401	Pan Screw 5x12	4
11	8200-0304	Dowel Pin 8x14	2
12	8100-0160	Flange Bolt SH 6x12	2
13	8200-3111	Flange Bolt SH 6x35	9
14	8222-3001	Radial Ball Bearing 6006LLU	1

FIG.5 L CRANK CASE

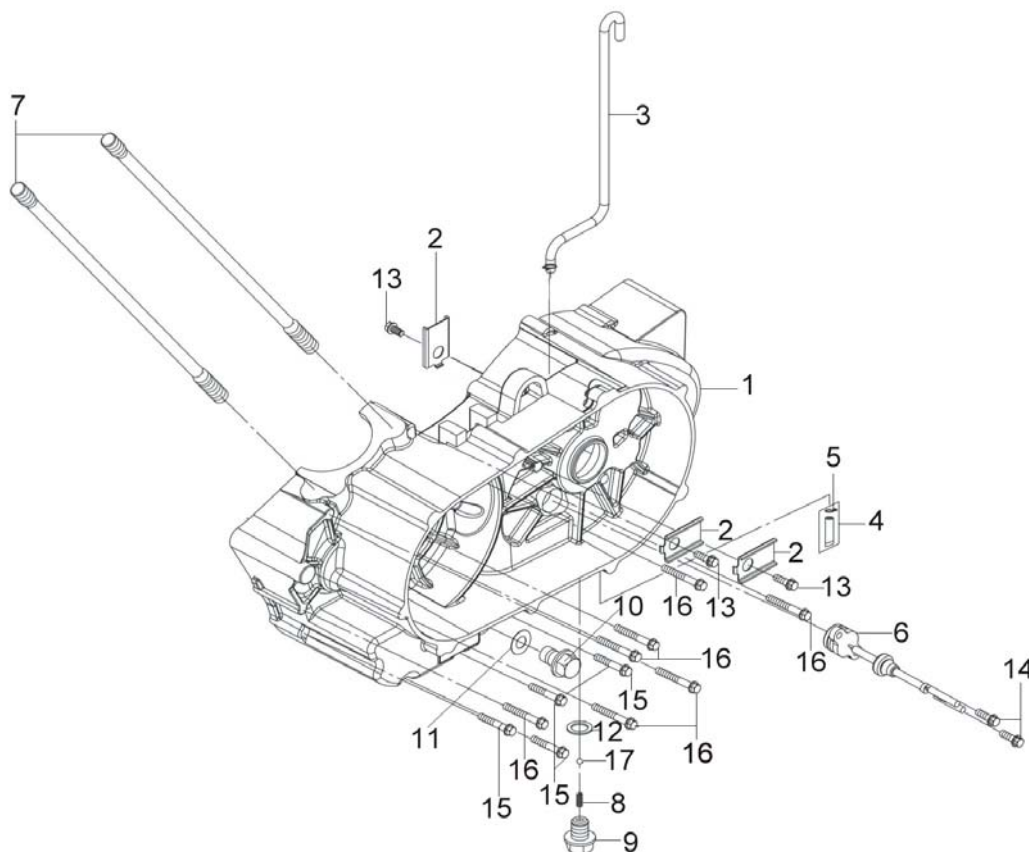


Fig.5 L CRANK CASE			
REF.	PART NO.	DESCRIPTION	QTY
1	8213-3030	L Crank Case Comp	1
2	8213-3031	Setting Plate	3
3	8240-3201	Mission Breather Tube	1
4	8213-3032	Drain Tube Assy.	1
5	8213-3033	Tube Clip-E5	1
6	8213-3034	Change SW. Assy.	1
7	8200-3193	Cylinder Stud Bolt B	2
8	8257-3014	Spring, Fixed Catch	1
9	8200-3404	Screw, Fixing	1
10	8200-0193	Drain Plug Bolt 12mm	1
11	8200-0591	Drain Plug Washer 12mm	1
12	8200-3507	Drain Plug Washer 14mm	1
13	8100-0160	Flange Bolt SH 6x12	3
14	8100-0162	Flange Bolt SH 6x18	2
15	8200-3112	Flange Bolt SH 6x50	4
16	8200-3114	Flange Bolt SH 6x70mm	7
17	8213-3035	Sted Ball #12	1

FIG.6 R CRANK CASE

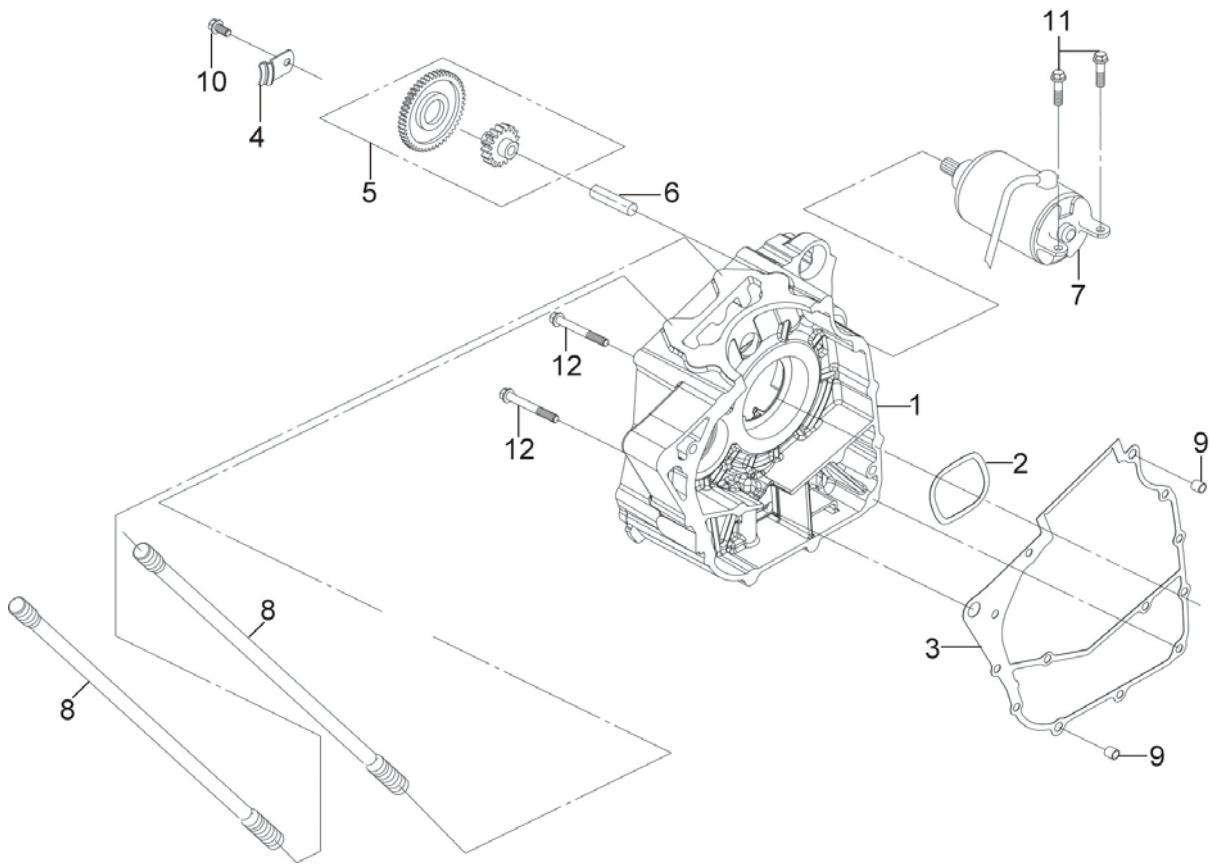
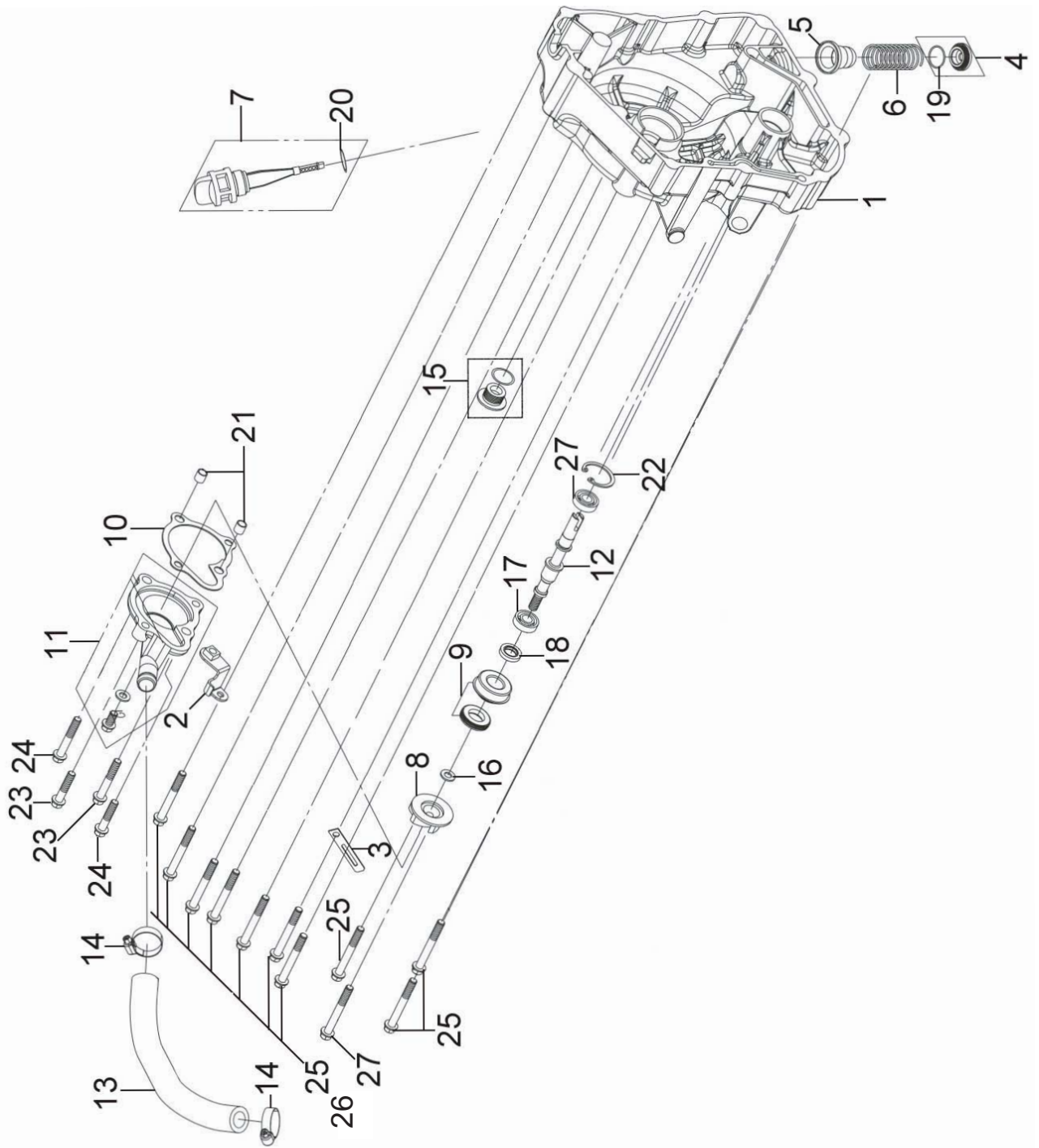


Fig.6 R CRANK CASE

REF.	PART NO.	DESCRIPTION	QTY
1	8213-3120	R Crank Case Comp	1
2	8213-3121	Wave Washer-E06	1
3	8240-3101	Crank Case Gasket	1
4	8213-3036	Cam Chain Setting Plate	1
5	8213-3037	Star. Reduction Gear Comp	1
6	8213-3038	Sta. Reduction Gear Shaft	1
7	8213-3039	Start Motor Assy.	1
8	8200-3192	Cylinder Stud Bolt A	2
9	8200-0304	Dowel Pin 8x14	2
10	8200-3110	Flange Bolt SH 6x10	1
11	8100-0164	Flange Bolt SH 6x22	2
12	8100-0169	Flange Bolt SH 6x55	2

FIG.7 R CASE COVER



GTR 250 PARTS MANUAL

Fig.7 R CASE COVER

REF.	PARTS NO.	DESCRIPTION	QTY
1	8213-3040	R Case Cover Comp	1
3	8213-3041	Clamp-E7	1
4	8213-0040	Tappet Adj Hole Cap Assy.	1
5	8213-0041	Oil Filter Screen	1
6	8257-0011	Oil Filter Screw Spring	1
7	8213-3042	Oil Level Gauge Assy.	1
8	8213-0050	Water Pump Impeller	1
9	8213-3043	Mechaniacd Seal	1
10	8240-3110	Water Pump Gasket	1
11	8213-0045	Water Pump Cover Comp	1
12	8213-3044	Water Pump Shaft	1
13	8213-3045	Water Hose	1
14	8213-3046	Water Hose Clamp A	2
15	8213-0047	Acg. Cap Assy. 14mm	1
16	8200-3501	Washer 7.2x13x1.2	1
17	8222-0001	Radial Ball Brg. 6901	1
18	8213-0048	Oil Seal 12x20x5	1
19	8213-0049	O-Ring 30.8	1
20	8200-3601	O-Ring 18x3	1
21	8200-0304	Dowel Pin 8x14	2
22	8200-0302	Circlip IN 26	1
23	8100-0164	Flange Bolt SH 6x22	2
24	8100-0166	Flange Bolt SH 6x32	2
25	8100-0168	Flange Bolt SH 6x45	10
26	8200-3113	Flange Bolt SH 6x70	1
27	8222-0002	Radial Ball Bearing. 6000	1

FIG.8 MOVABLE DRIVE FACE

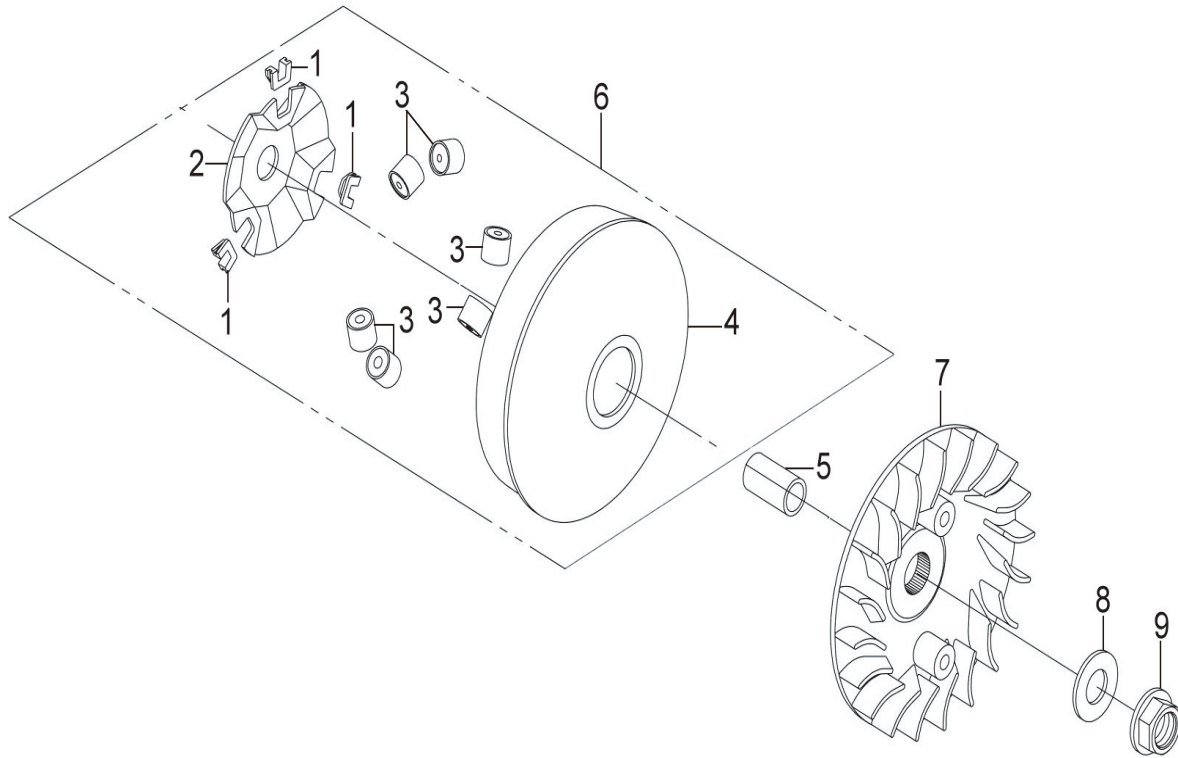


Fig.8 MOVABLE DRIVE FACE			
REF.	PART NO.	DESCRIPTION	QTY
1	8213-3047	Slide Piece Set	3
2	8213-3048	Ramp Plate	1
3	8213-3049	Weight Roller Set (6pes/set)	6
4	8213-3050	Movable Drive Face Comp.	1
5	8213-3051	Drive Face Boss	1
6	8213-3052	Movable Drive Face Assy.	1
7	8213-3053	Drive Face	1
8	8200-0551	Thrust Washer 14x28x2	1
9	8200-0214	Flange Nut 14mm	1

FIG.9 CRANK SHAFT

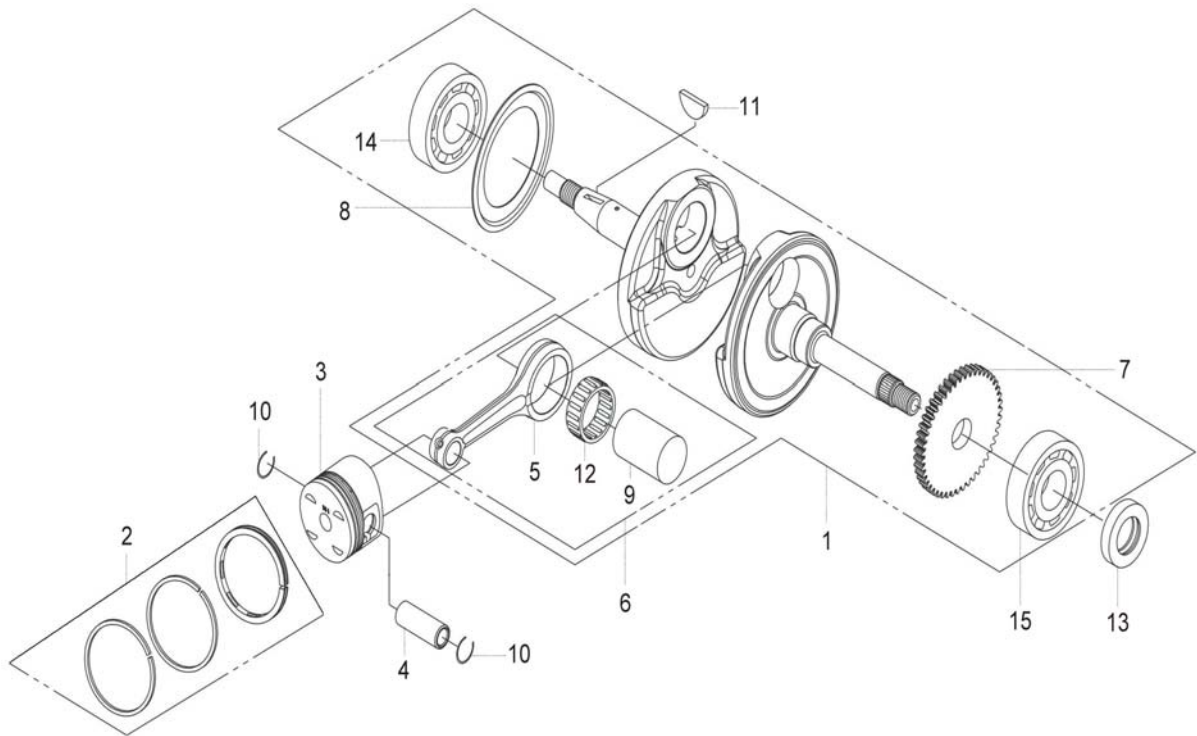


Fig.9 CRANK SHAFT

REF.	PART NO.	DESCRIPTION	QTY
1	8213-3054	Crank Shaft Comp	1
2	8213-3055	Piston Ring Set	1
3	8213-3056	Piston	1
4	8213-3057	Piston Pin	1
5	8213-3058	Connecting Rod	1
6	8213-3059	Conn. Rod Assy.	1
7	8213-3060	Balance Shaft Drive Gear	1
8	8213-3061	R Crank Side Plate	1
9	8213-3062	Crank Pin	1
10	8213-3063	Piston Pin Clip 17mm	2
11	8213-0095	Woodruff Key 25x14x4	1
12	8222-3012	Connecting Rod Bearing PK32x41x17.8	1
13	8200-3704	Oil Seal TC 27x42x7	1
14	8222-3017	Radial Ball Bearing 6207	1
15	8222-3010	Radial Ball Bearing TMB306JR2C3	1

FIG.10 AC GEN FLYWHEEL

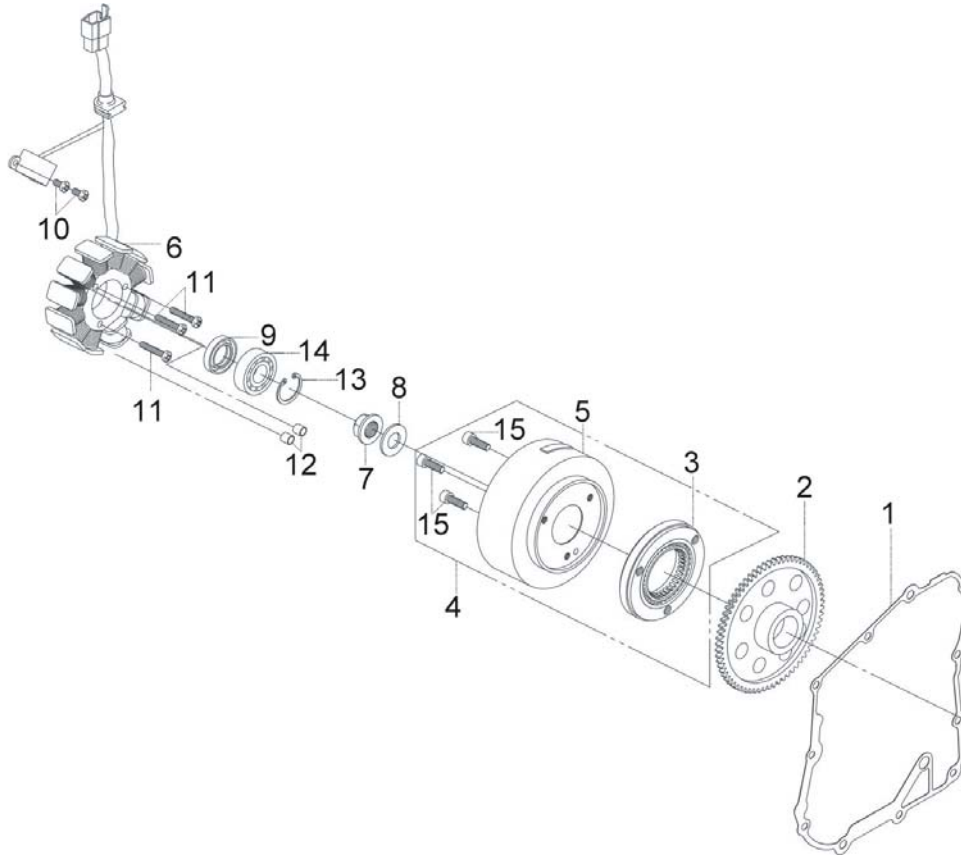


Fig.10 AC GEN FLYWHEEL

REF.	PART NO.	DESCRIPTION	QTY
1	8240-3103	R Cover Gasket	1
2	8213-3064	Starting Clutch Gear Comp	1
3	8213-3065	One Way Clutch Assy.	1
4	8213-3066	AC Gen Flywheel Set	1
5	8213-3067	Flywheel Comp.	1
6	8213-3068	Stator Comp	1
7	8200-0214	Flange Nut 14mm	1
8	8200-0551	Thrust Washer 14x28x2	1
9	8200-3701	Oil Seal TC 12x22x5	1
10	8200-0403	Pan Screw 5x16	2
11	8200-3403	Pan Screw 6x40	3
12	8200-0304	Dowel Pin 8x14	2
13	8200-3804	Circlip In 32mm	1
14	8222-3015	Radial Ball Bearing 6201LUC3	1
15	8100-0175	Socket Bolt 8x20	3

FIG.11 BALANCE SHAFT

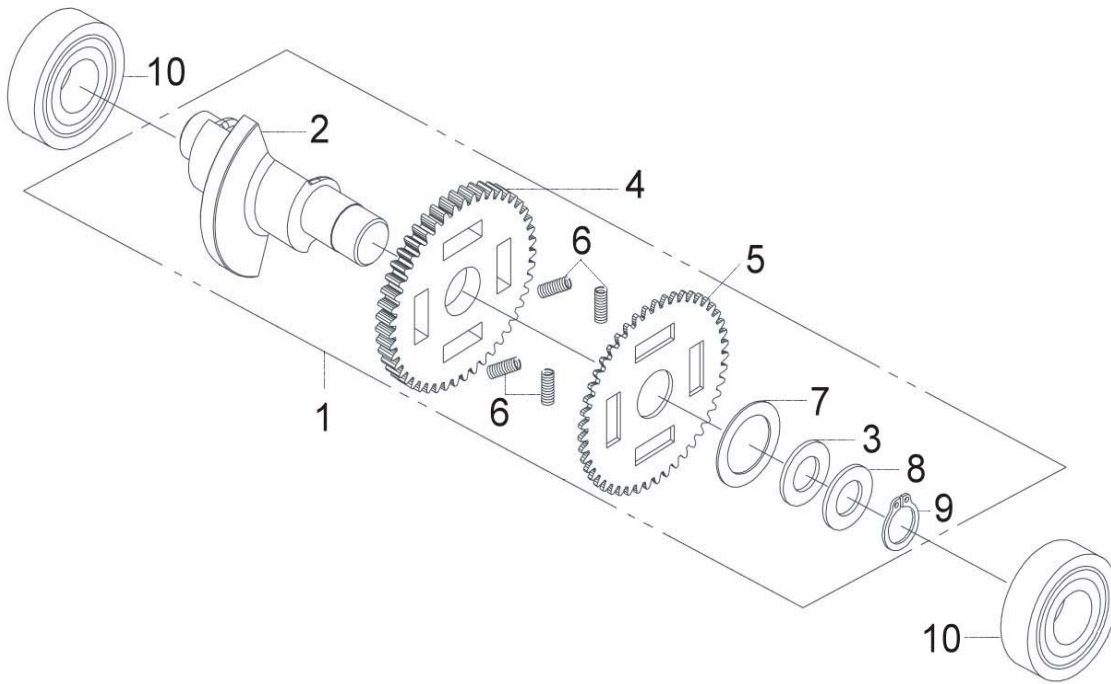
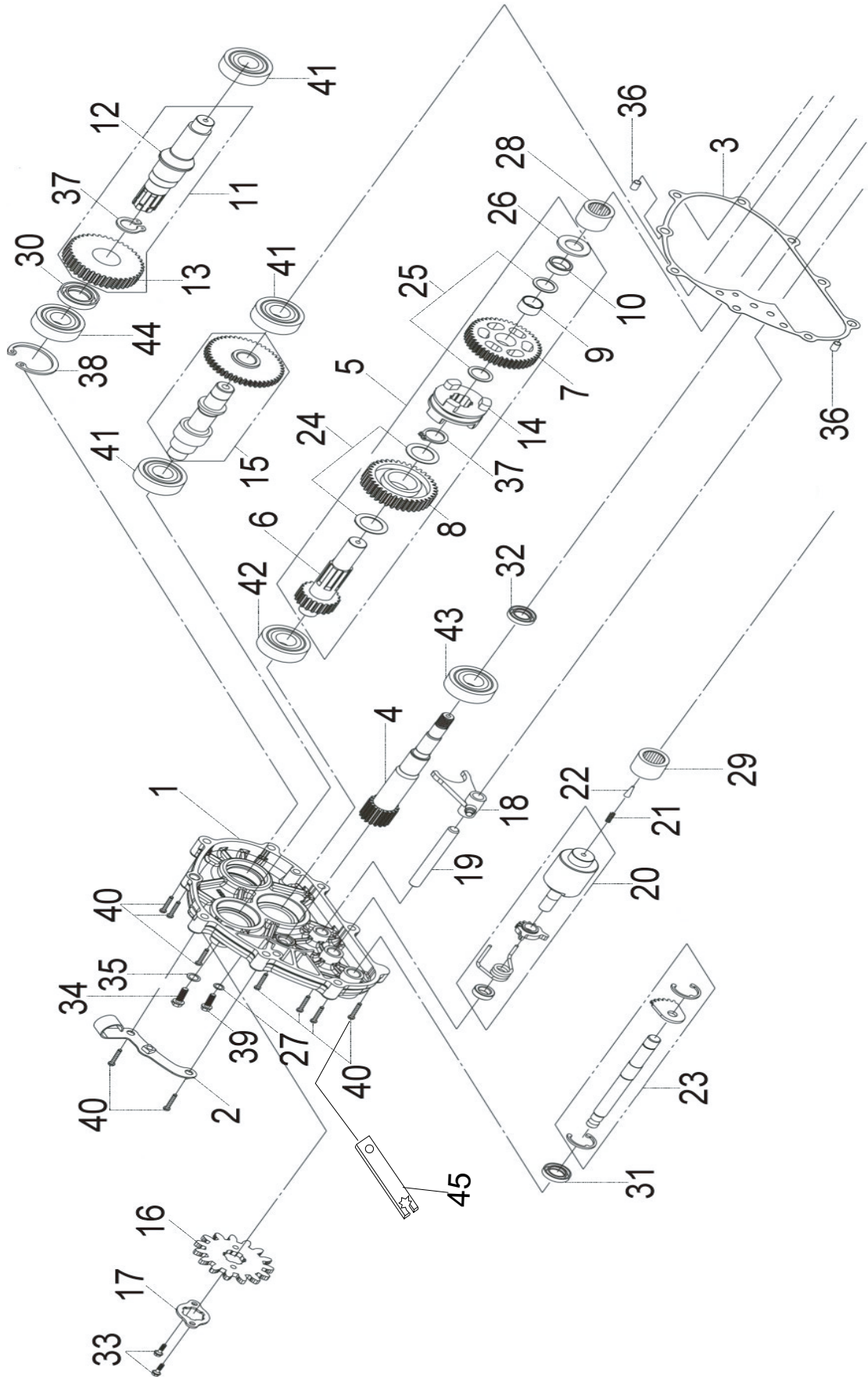


Fig.11 BALANCE SHAFT			
REF.	PART NO.	DESCRIPTION	QTY
1	8213-3069	Balance Shaft Comp	1
2	8213-3070	Balance Shaft	1
3	8200-3511	Wave Washer 28.3x36x1	1
4	8213-3071	Balance Shaft Drive Gear A	1
5	8213-3072	Balance Shaft Drive Gear B	1
6	8257-3015	Balance Shaft Drive Gear Spring	4
7	8200-3505	Washer 28.3x47.5x1.4	1
8	8200-3504	Washer 28.3x36x1	1
9	8200-3802	Circlip EX 28mm	1
10	8222-3016	Radial Ball Bearing. 6204	1

FIG.12 MISSION CASE



GTR 250 PARTS MANUAL

Fig.12 MISSION CASE			
REF.	PARTS NO.	DESCRIPTION	QTY
1	8213-3073	Mission Case	1
2	8213-3074	Inner Cover Stay A	1
3	8240-3111	Mission Case Gasket	1
4	8213-3075	Drive shaftt	1
5	8213-3076	Counter Shaft Assy.	1
6	8213-3077	Counter Shaft	1
7	8213-3078	Counter Gear A	1
8	8213-3079	Counter Gear B	1
9	8213-3080	Bush 20x13	1
10	8213-3081	Spacer	1
11	8213-3082	Final Shaft Comp	1
12	8213-3083	Final Shaft	1
13	8213-3084	Final Gear	1
14	8213-3085	Sliding Claw	1
15	8213-3086	Reverse Shaft Comp	1
16.1	8223-3001	Drive Sproket	1
16.2	623-6002	18 Tooth High Speed Sproket (Accessory)	1
17	8213-3087	Drive Sprocket Fixing Plate	1
18	8213-3088	Shift Fork Shaft	1
19	8213-3089	Shift Firk Shaft	1
20	8213-3090	Shift Drum Comp	1
21	8257-3016	Gear Indication Drill Spring	1
22	8213-3091	Gear Indication Drill	1
23	8213-3092	Gear Shift Spindle Comp.	1
24	8200-3503	Washer 25mm	2
25	8200-3502	Washer 20mm	2
26	8200-3510	Thrust Washer 20.5x38x2	1
27	8200-0511	Washer 8mm	1
28	8222-3011	Needle Bearing. HK2016	1
29	8222-3014	Needle Bearing. K25x29x10	1
30	8200-3705	Oil Seal TC 30x46x7	1
31	8200-3702	Oil Seal TC 14x26x6	1
32	8200-3703	Oil Seal TC 25x40x7	1
33	8200-3002	Hex Bolt 6x10	2
34	8200-0193	Drain Plug Bolt 12mm	1
35	8200-0591	Drain Plug Washer 12mm	1
36	8100-0302	Dowel Pin 10x14	2
37	8200-3801	Circlip EX 25	2
38	8200-3805	Circlip IN 52	1
39	8100-0131	Flange Bolt 8x12	1
40	8100-0137	Flange Bolt 8x40	9
41	8222-3016	Radial Ball Bearing 6204	3
42	8222-3019	Radial Ball Bearing 6304	1
43	8222-3020	Radial Ball Bearing 6305	1
44	8222-3018	Radial Ball Bearing 6205LLU	1
45	613-6021	Engine Shift Arm	1

FIG.13 OIL PUMP ASSEMBLY

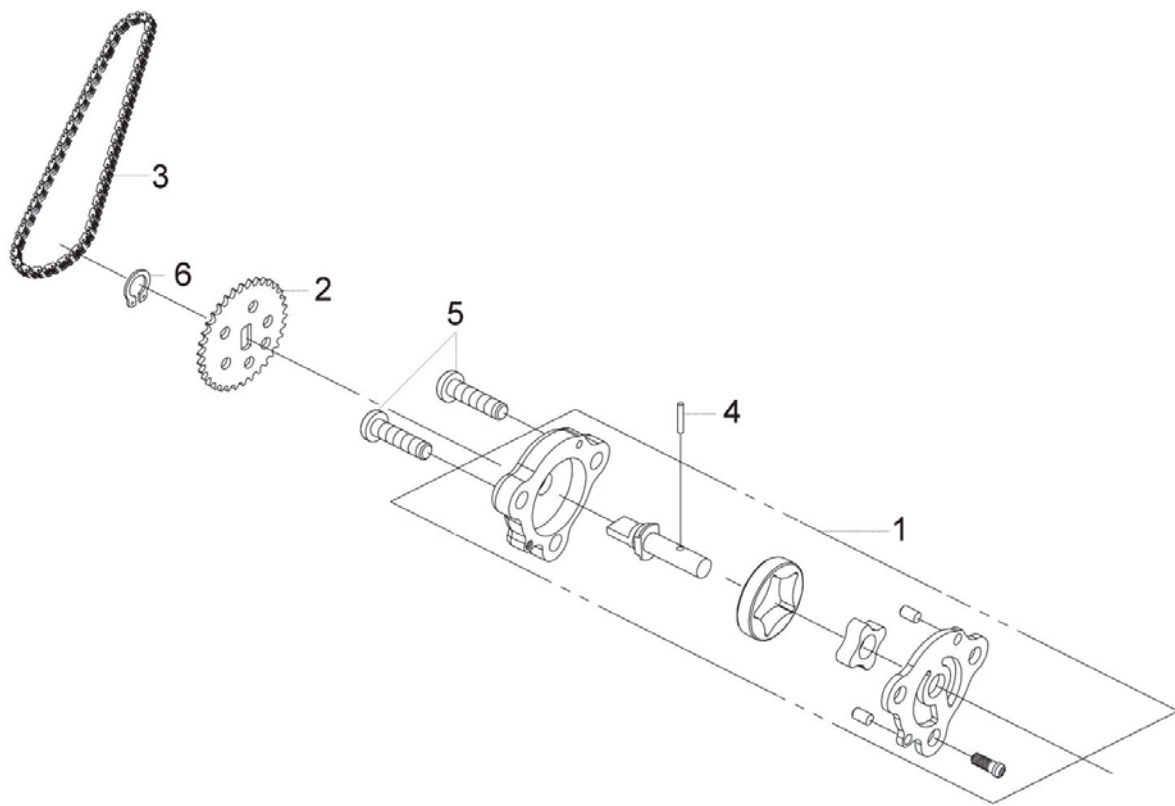


Fig.13 OIL PUMP ASSEMBLY

REF.	PART NO.	DESCRIPTION	QTY
1	8213-3093	Oil Pump Assy.	1
2	8223-3002	Oil Pump Driven Sprocket	1
3	8231-3011	Oil Pump Chain 48L	1
4	8200-3605	Roller 2.5x11.8	1
5	8200-3402	Pan Screw 6X25	2
6	8200-0801	Circlip EX 10	1

Fig.14 CYLINDER HEAD SIDE COVER ASSEMBLY

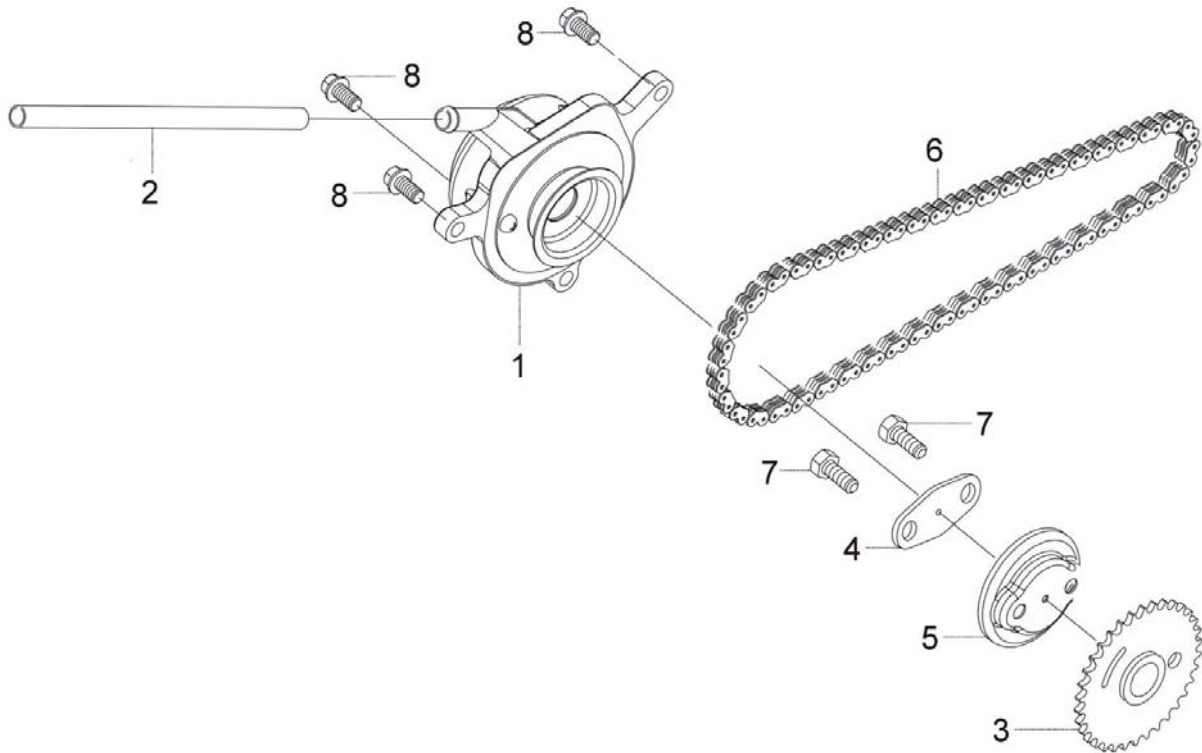
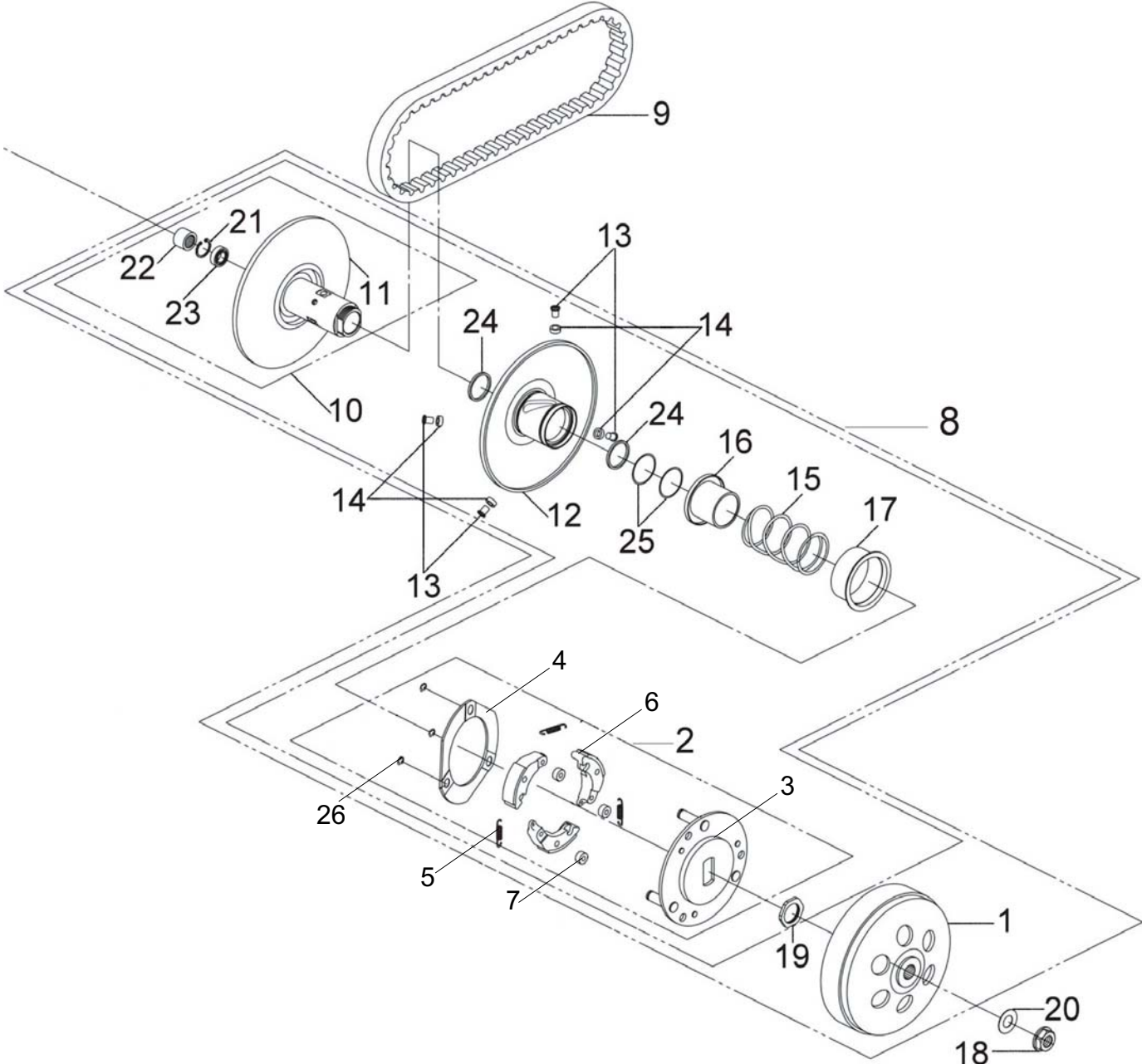


Fig.14 CYLINDER HEAD SIDE COVER ASSEMBLY

REF.	PARTS NO.	DESCRIPTION	QTY
1	8213-3094	Cyl. Head Side Cover Assy.	1
2	8213-3095	Breather Tube	1
3	8223-0001	Cam Sprocket	1
4	8200-0590	Cam Sprocket Washer	1
5	8213-0029	Centrifugal Disk	1
6	8231-3012	Cam Chain 100L	1
7	8200-0196	Lock Bolt 6mm	2
8	8100-0162	Flange Bolt SH 6x18	3

Fig.15 DRIVEN PULLEY SET



GTR 250 PARTS MANUAL

Fig.15 DRIVEN PULLEY SET

REF.	PARTS NO.	DESCRIPTION	QTY
1	8213-3096	Outer Clutch Comp	1
2	8213-3097	Drive Plate Assy.	1
3	8213-3098	Drive Plate Comp.	1
4	8213-3099	Clutch Side Plate	1
5	8257-3017	Clutch Spring	3
6	8213-3100	Clutch Weight (3pes/set)	1
7	8213-3101	Clutch Damper Rubber	3
8	8213-3102	Driven Pulley Assy.	1
9	8238-3000	Drive Belt	1
10	8213-3103	Drive Face Assy.	1
11	8213-3104	Drive Face Comp.	1
12	8213-3105	Movable Driven Face Comp.	1
13	8213-3106	Roller Guide Pin	4
14	8213-3107	Guide Roller	4
15	8257-3018	Driven Face Spring	1
16	8213-3108	Seal Collar-E15	1
17	8213-3109	Spring Collar	1
18	8200-0214	Flange Nut 14mm	1
19	8200-3293	Special Nut 36mm	1
20	8200-0551	Thrust Washer 14x28x2	1
21	8200-3803	Circlip In	1
22	8222-3013	Needle Breaing HKS 25x32x14	1
23	8222-3021	Radial Ball Bearing. 6903LU	1
24	8200-3706	Oil Seal TC 41x48x4	2
25	8200-3604	O-Ring 47x2.0	2
26	8200-3901	E-Ring 8	3

FIG.16 A. I. C. V. ASSEMBLY

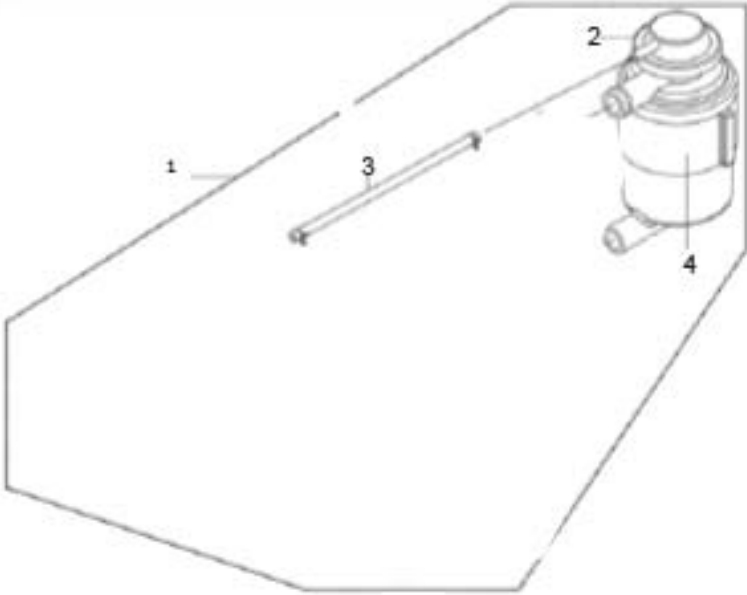


Fig.16 A. I. C. V. ASSEMBLY

REF.	PART NO.	DESCRIPTION	QTY
1	8213-3110	A.I.C.V. Unit	1
2	8213-3111	A.I.C.V. Assy.	1
3	8213-3112	A.I.C.V. Inlet Pipe Joint Tube Assy.	1
4	8213-0117	A.I.A.C Setting Band	1

FIG.17 CARBURETOR ASSEMBLY

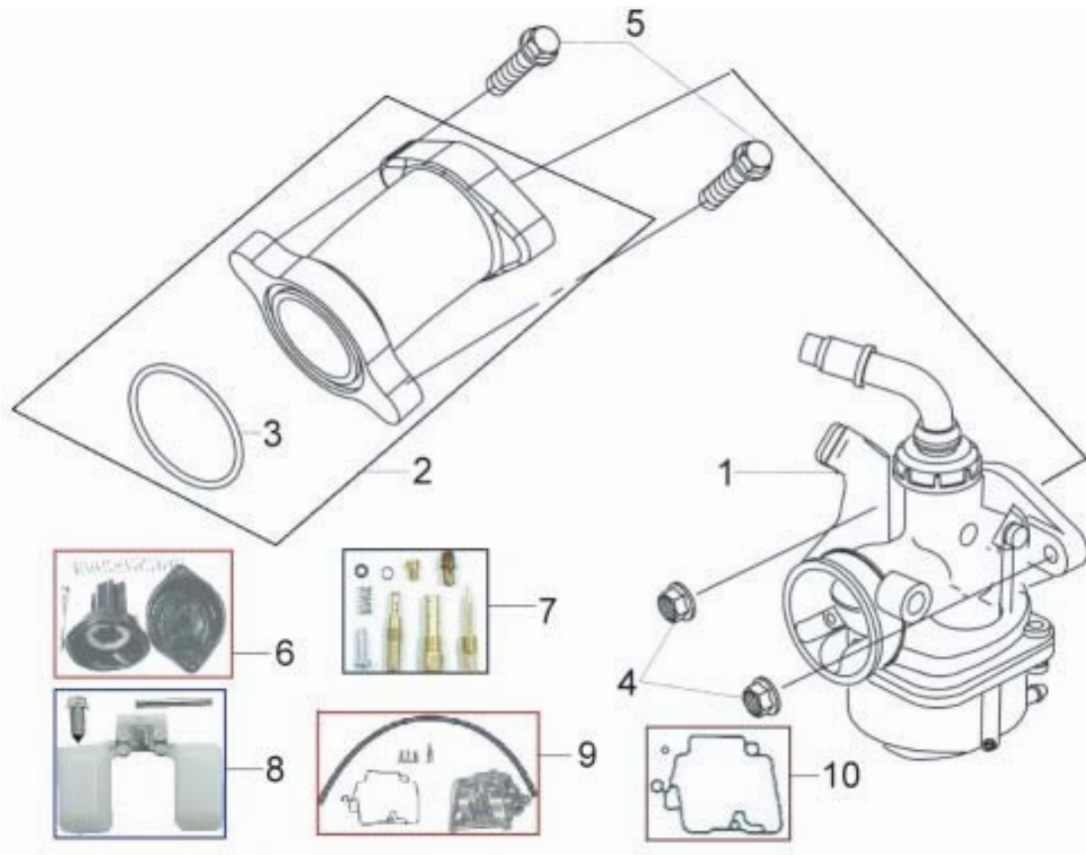


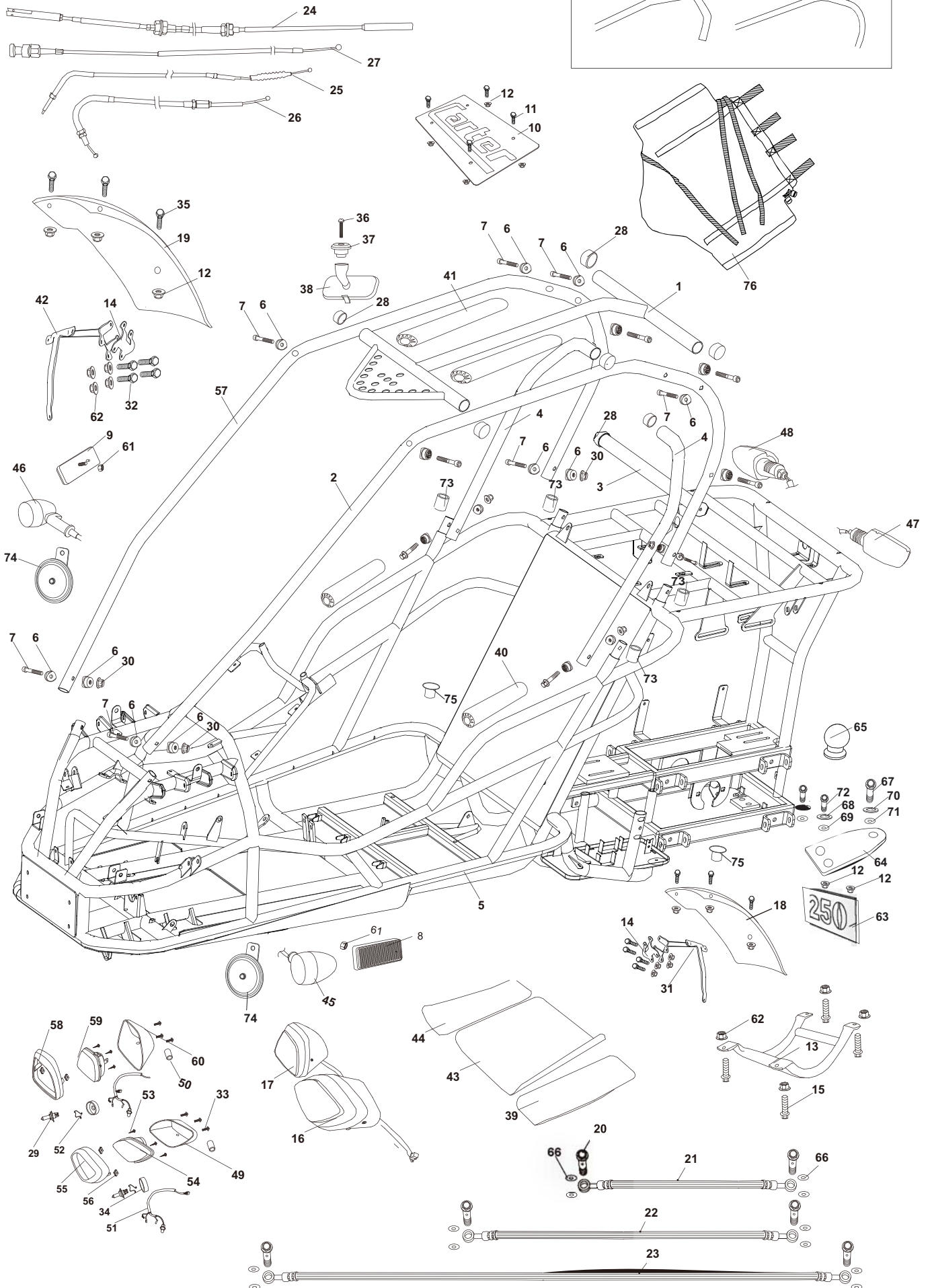
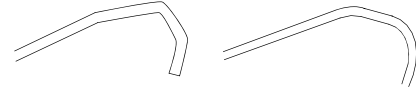
Fig.17 CARBURETOR ASSEMBLY

REF.	PART NO.	DESCRIPTION	QTY
1	8213-3113	Carb. Assy.	1
2	8213-3114	Inlet Pipe Assy.	1
3	8200-3603	O-Ring 34x2.0	1
4	8100-0206	Flange Nut 6mm	2
5	8100-0164	Flange Bolt SH 6x22	2
6	8213-3115	Carb. Needle Fixing Set	1
7	8213-3116	Carb. Screw Fixing Set	1
8	8213-3117	Carb. Float Fixing Set	1
9	8213-3118	Carb. F.C.B Fixing Set	1
10	8240-3001	Carb. Gasket Fixing Set	1

FIG.18 FRAME GROUP

2.1 square
57.1

2.a round
57.a



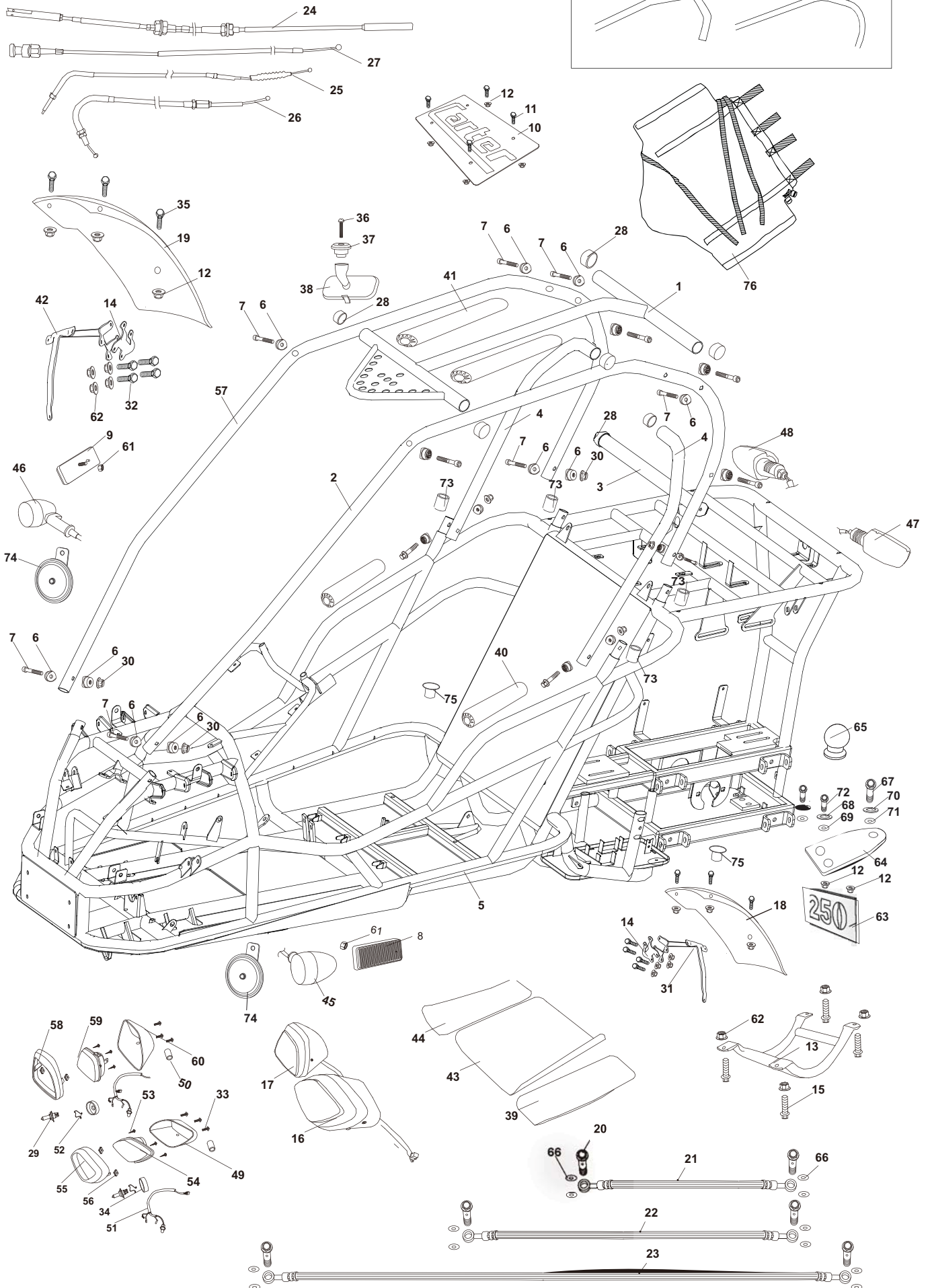
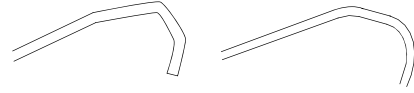
GTR 250 PARTS MANUAL

FIG.18 FRAME GROUP (1)			
REF.	PART NO.	DESCRIPTION	QTY
1.1	612-6210	C.B.C. Top Bar. FR (Blue)-square	1
1.2	612-6250	C.B.C. Top Bar. FR (Sliver)-square	1
1.3	612-6260	C.B.C. Top Bar. FR (Carbon)-square	1
1.4	612-6211	C.B.C. Top Bar. FR (Blue)-round	1
1.5	612-6251	C.B.C. Top Bar. FR (Sliver)-round	1
1.6	612-6261	C.B.C. Top Bar. FR (Carbon)-round	1
2.1	612-6012	C.B.C. Bar. L (Blue)-square	1
2.2	612-6052	C.B.C. Bar. L (Sliver)-square	1
2.3	612-6062	C.B.C. Bar. L (Carbon)-square	1
2.4	612-6013	C.B.C. Bar. L (Blue)-round	1
2.5	612-6053	C.B.C. Bar. L (Sliver)-round	1
2.6	612-6063	C.B.C. Bar. L (Carbon)-round	1
3.1	612-6310	C.B.C. Cross Bar. RR (Blue)	1
3.2	612-6350	C.B.C. Cross Bar. RR (Sliver)	1
3.3	612-6360	C.B.C. Cross Bar. RR (Carbon)	1
4.1	612-6511	C.B.C. J Bar. L/R (Blue)-square	2
4.2	612-6551	C.B.C. J Bar. L/R (Sliver)-square	2
4.3	612-6561	C.B.C. J Bar. L/R (Carbon)-square	2
4.4	612-6512	C.B.C. J Bar. L/R (Blue)-round	2
4.5	612-6552	C.B.C. J Bar. L/R (Sliver)-round	2
4.6	612-6562	C.B.C. J Bar. L/R (Carbon)-round	2
5.1	650-0611	Frame Comp (Blue)-GTR250	1
5.2	650-0615	Frame Comp (Sliver)-GTR250	1
5.3	650-0616	Frame Comp (Carbon)-GTR250	1
6	600-0001	Washer Cap (black)	20
7	600-0524	Flange Bolt M08x55 (Chrome Blackk)	14
8	640-6001	Side Reflector	1
9	640-6001	Side Reflector	1
10.1	680-0061	Rear Cargo Bottom Panel (Blue).	1
10.2	680-0065	Rear Cargo Bottom Panel (Sliver).	1
10.3	680-0066	Rear Cargo Bottom Panel (Carbon).	1
11	500-5302	Flange Bolt M06x16	4
12	500-1031	Lock Nut M06	12
13	637-6003	Drive Chain Guard	1
14	640-6401	Front Fender Bracket Clamp	2
15	500-1108	Flange Bolt M08x20	4
16	609-6001	Headlight Unit FR. L	1
17	609-6002	Headlight Unit FR. R	1
18	637-6201	Fr. Fender L/R	1

FIG.18 FRAME GROUP

2.1 square
57.1

2.a round
57.a



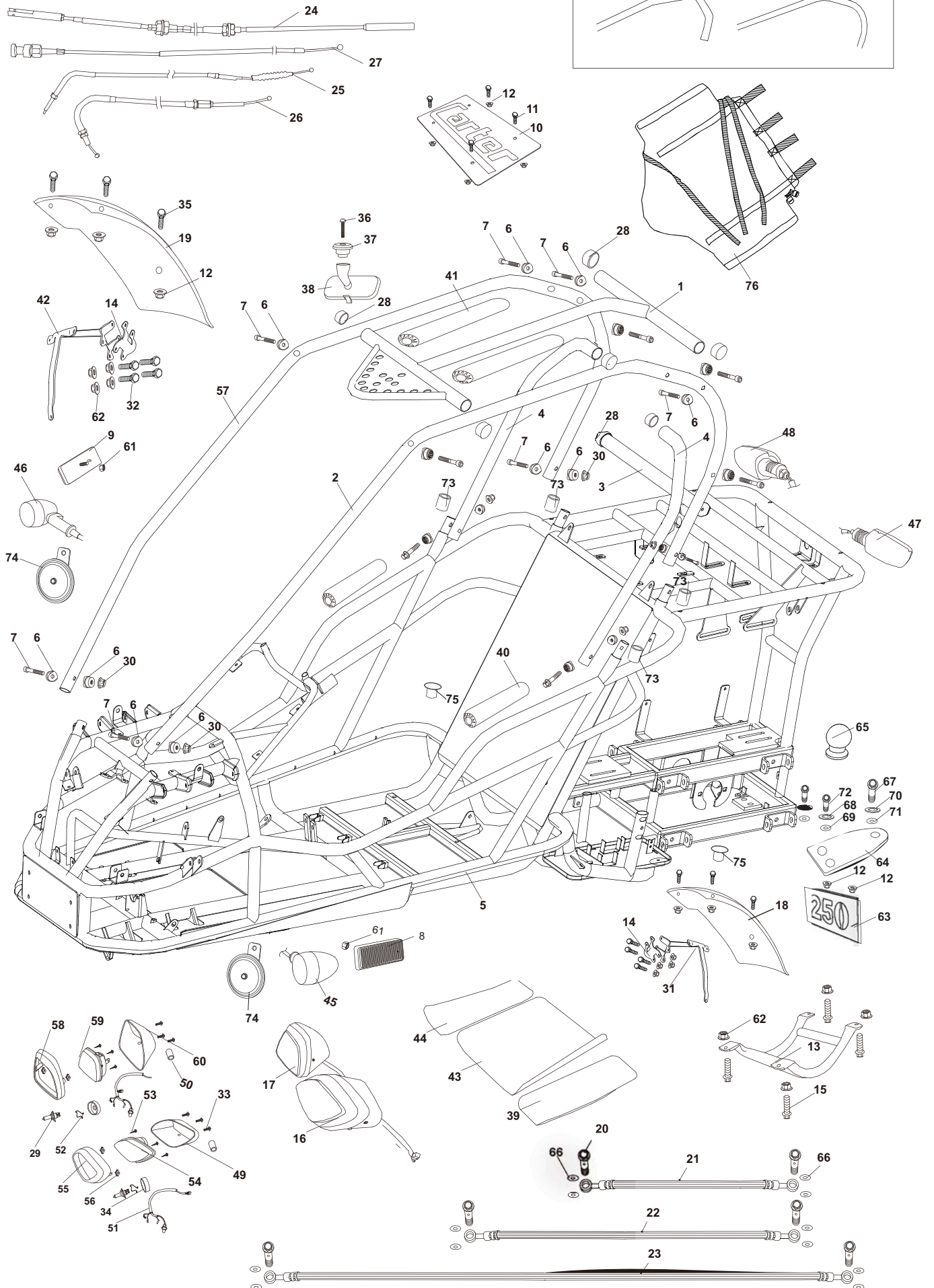
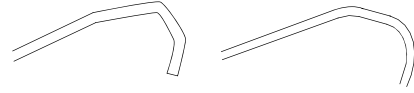
GTR 250 PARTS MANUAL

FIG.18 FRAME GROUP (2)			
REF.	PARTS NO.	DESCRIPTION	QTY
19	637-6201	Fr. Fender L/R	1
20	600-0520	Flange Bolt M10x24	6
21	652-6001	Brake Hose Assy L	1
22	652-6002	Brake Hose Assy R	1
23	652-6003	Brake Hose Assy RR	1
24	639-6003	Reverse Cable Comp.	1
25	658-0560	Throttle Cable Comp.	1
26	652-6004	Parking Brake Cable Comp.	1
27	630-6001	Manual Choke Cable	1
28	534-1002	Tube Seat 32	8
29	609-6003	Headlight Bulb 35W/12V	2
30	600-2303	Flange Lock Nut M08-black	6
31	637-6401	Fr. L. Fender Bracket	1
32	500-1079	Flange Bolt M08x30	8
33	600-0126	Bolt M05x14	6
34	640-6003	Headlight Rubber Mount	2
35	600-0061	Cross Bolt M6x20	6
36	500-3000	Pan Screw M05x25	1
37	640-5607	Rear View Mirror Bushing-540-3000	1
38	540-3001	Rear Mirror Assy.	1
39	640-6004	Left Foot Pad	1
40	640-6005	Foam Padding-short	2
41	640-6030	Foam Padding-top-long	2
42	637-6402	Fr. R. Fender Bracket	1
43	640-6006	Centre Foot Pad	1
44	640-6007	Right Foot Pad	1
45	609-6004	Fr. L Turn Signal	1
46	609-6005	Fr. R Turn Signal	1
47	609-6006	Rr. L Turn Signal	1
48	609-6007	Rr. R Turn Signal	1
49	609-6008	Left Light Rear cover	1
50	640-6602	Light Inner Bushing	2
51	609-6009	Light Joint Line	2
52	640-6701	Light Inner Collar	2
53	7200-0032	Screw ST 4.2x16	6
54	609-6010	L. Light Center cover	1
55	609-6011	L. Light Front cover	1
56	600-2003	Self Lock M6	6

FIG.18 FRAME GROUP

2.1 square
57.1

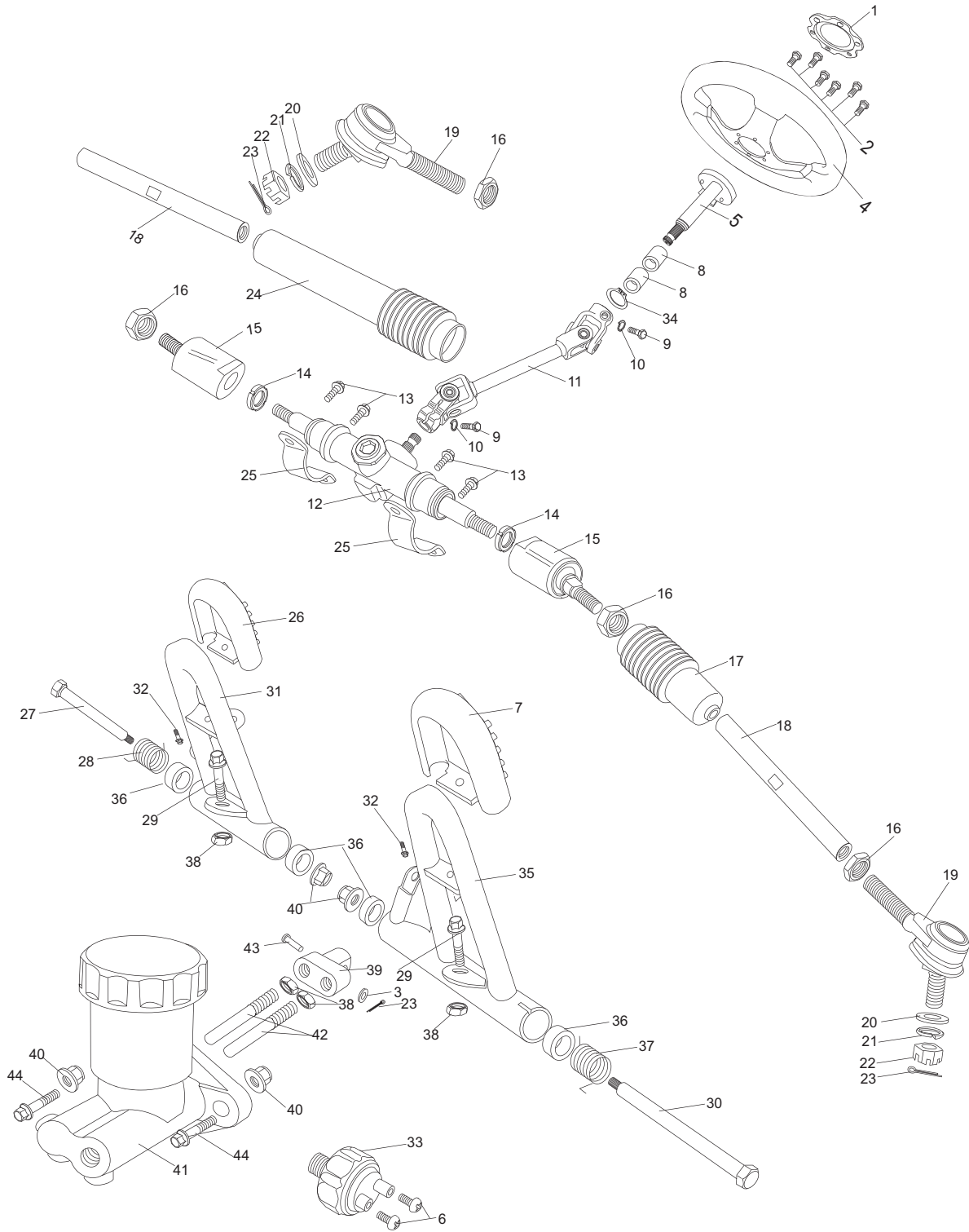
2.a round
57.a



GTR 250 PARTS MANUAL

FIG. 18 FRAME GROUP (3)			
REF.	PART NO.	DESCRIPTION	QTY
57.1	612-6113	C.B.C. Bar. R (Blue)-square	1
57.2	612-6153	C.B.C. Bar. R (Sliver)-square	1
57.3	612-6163	C.B.C. Bar. R (Carbon)-square	1
57.4	612-6114	C.B.C. Bar. R (Blue)-round	1
57.5	612-6154	C.B.C. Bar. R (Sliver)-round	1
57.6	612-6164	C.B.C. Bar. R (Carbon)-round	1
58	609-6012	R. Light Front Cover	1
59	609-6013	R. Light Center Cover	1
60	609-6014	R. Light Rear Cover	1
61	500-1076	Lock Nut M05	2
62	500-1043	Flange Lock Nut M08	12
63	640-6008	250 ID Plate	1
64	640-6009	Trailered Plates	1
65	640-6010	Trailered Hitch	1
66	500-3025	Washer M10	12
67	600-0133	Bolt M16x35	1
68	600-5811	Spring Washer M14	2
69	500-1041	Washer M14	2
70	600-5812	Spring Washer M16	1
71	600-5115	Washer M16	1
72	600-0132	Bolt M14x45	2
73.1	640-6711	C.B.C. Cross Bar Collar-blue	4
73.2	640-6751	C.B.C. Cross Bar Collar-silver	4
73.3	640-6761	C.B.C. Cross Bar Collar-carbbon	4
74	609-6017	Speaker	2
75	637-6004	RR Fender Pole Cover	2
76.1	610-6001	Soft Top (Vinyl-Black)--CBC square--ACCESSORY	1
76.2	610-6003	Soft Top (Vinyl-Black)--CBC round --ACCESSORY	1
77	337-2250	Brush Guard Assy--ACCESSORY	

FIG.19 STEERING SHAFT ASSEMBLY

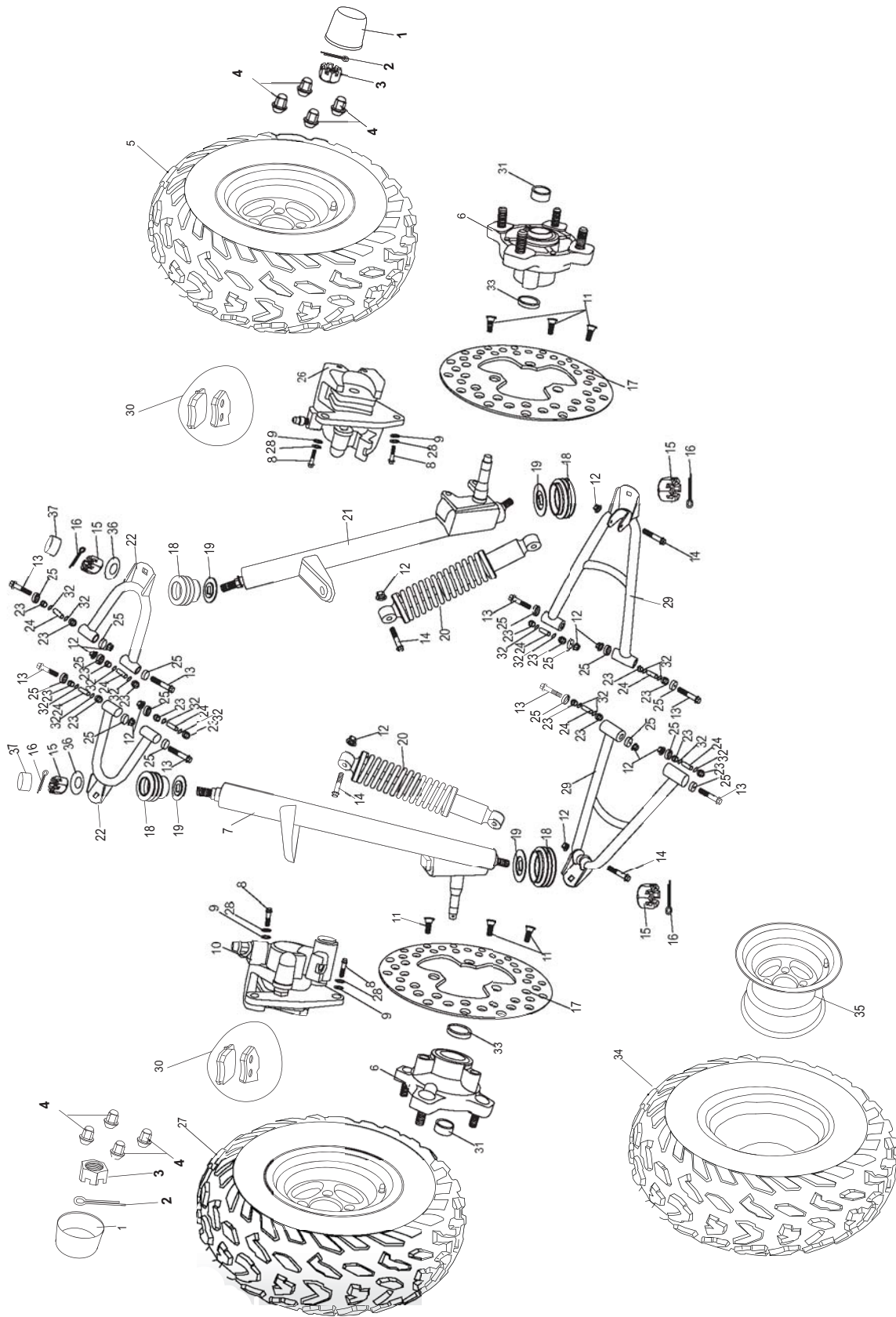


GTR 250 PARTS MANUAL

Fig.19 STEERING SHAFT ASSEMBLY

REF.	PART NO.	DESCRIPTION	QTY
1	636-6010	Steering Wheel Cover-logo	1
2	600-4602	Bolt M06x12-K61 (steering wheel)	6
3	600-5118	Washer M06	1
4	636-6007	Steering Wheel	1
5	636-6008	Steering Shaft	1
6	500-1078	Pan Screw M03X6	2
7	552-3037	Brake Pedal Pad	1
8	622-0001	Needle Bearing-2617	2
9	500-1079	Flange Bolt M08x30	2
10	500-1069	Lock Washer M08	2
11	636-6009	Steering Knuckle	1
12	636-6006	Steering Assy	1
13	600-0066	Flange Bolt M08x20	4
14	500-1018	Round Nut M16x1.5	2
15	536-3006	Steering Ball Joint	2
16	500-3003	Hex Nut M10	4
17	536-3007	L Dust Cover Ball Joint	1
18	636-6011	Tie Rod-Long	2
19	536-3009	Tie Rod End	2
20	500-3025	Washer M10	2
21	500-1071	Lock Washer M10	2
22	500-3004	Castle Nut M10	2
23	500-1090	Cotter Pin 2x20	2
24	536-3010	R Dust Cover Ball Joint	1
25.1	636-0601	Steering Gear Bracket (Blue)	2
25.2	636-0605	Steering Gear Bracket (Sliver)	2
25.3	636-0606	Steering Gear Bracket (Carbon)	2
26	558-3036	Throttle Pedal Pad	1
27	600-0100	Throttle Pedal Bolt M08x145,	1
28	557-3001	Throttle Pedal Spring	1
29	500-3044	Flange Bolt M08x50	2
30	600-0155	Bolt-Brake Pedal	1
31	558-3000	Throttle Pedal Comp	1
32	500-1074	Flange Bolt M05X16	2
33	652-0014	Brake Light Switch	1
34	600-8007	Circlip 20-round	1
35	652-6005	Brake Pedal Comp	1
36	640-6603	Pedal Bushing	4
37	557-3002	R Brake Pedal Return Spring	1
38	500-1073	Nut M08	4
39	634-6003	Spindle Bracket	1
40	500-1043	Flange Lock Nut M08	2
41	636-0002	Brake Master Cylinder	1
42	636-0561	Spindle Pin	2
43	600-3801	Lock Pin 6x22	1
44	500-1079	Flange Bolt M08x30	2

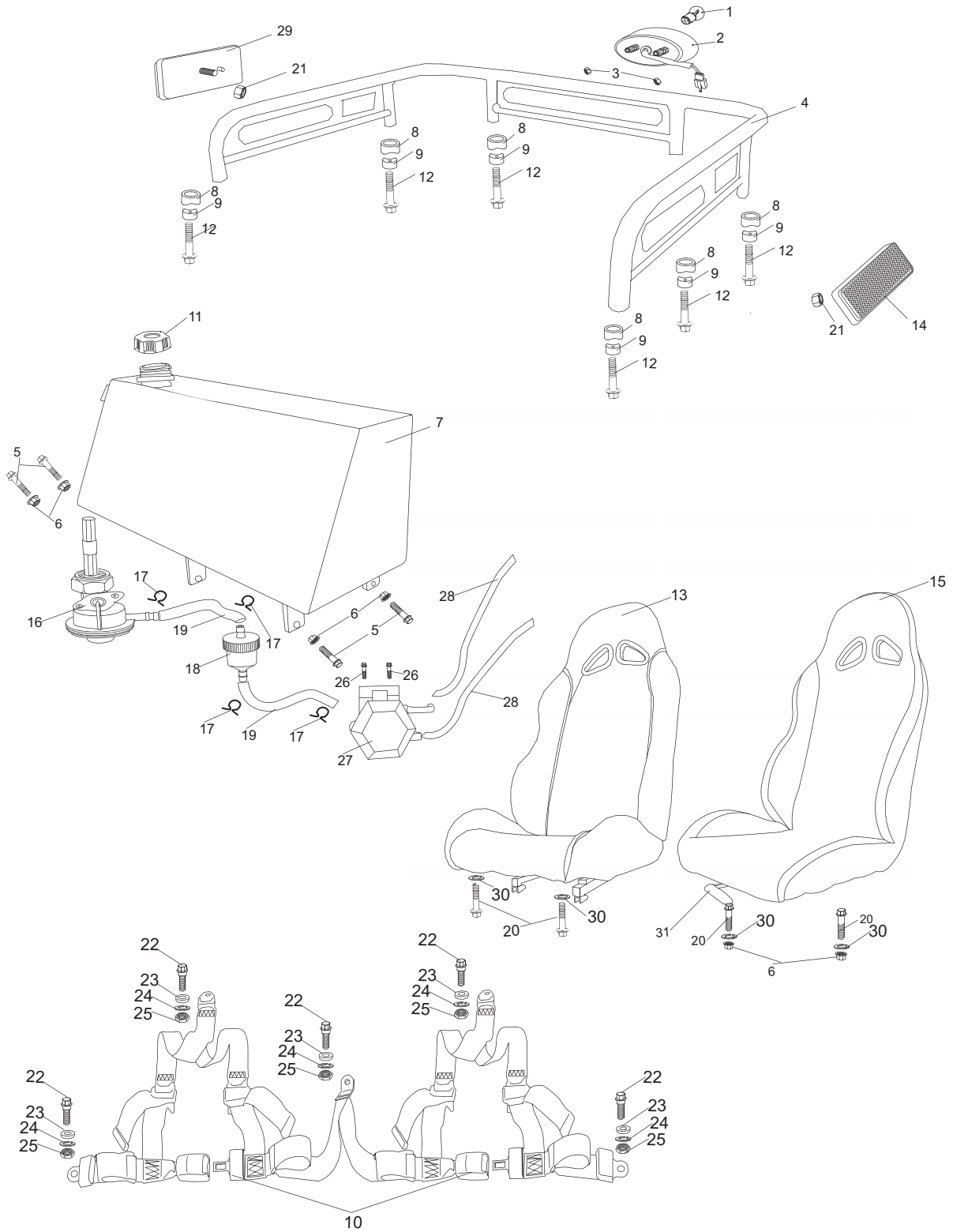
FIG.20 SUSPENSION ARM ASSEMBLY



GTR 250 PARTS MANUAL

Fig.20 SUSPENSION ARM ASSEMBLY			
REF.	PART NO.	DESCRIPTION	QTY
1	620-6012	Fr. Wheel Hub Cap	2
2	500-1040	Cotter Pin 3x30	2
3	600-2511	Castle Nut M14	2
4	500-1087	Cap Lock Nut M10	8
5	618-0611	L Fr. Wheel Assy 23x7-10	1
6	620-6001	Fr. Hub	2
7	636-6002	R. Strut & Spindle	1
8	500-3036	Flange Bolt M08x16	4
9	500-1086	Lock Washer M06	4
10	636-6004	R. Fr. Caliper	1
11	600-0159	Front Disc Brake Bolt	6
12	500-3014	Flange Lock Nut M10	12
13	500-3028	Flange Bolt M10x80	8
14	500-1091	Flange Bolt M10x40	4
15	500-1088	Castle Nut M12	4
16	600-3901	Cotter Pin 3x20	4
17	652-6007	Fr. Brake Disc	2
18	536-3016	Ball Head Dust Seal	4
19	528-3000	Ball Head Spacer	4
20	653-6001	Fr. Shock	2
21	636-6001	L Strut & Spindle	1
22	653-6011	Fr. Upper Swing Arm	2
23	500-1020	Fr. Swing Arm Internal Bushing	16
24	500-1036	Fr. Swing Arm Internal Collar	8
25	653-6020	Fr. Swing Arm Dust Cover	16
26	636-6003	L. Fr. Caliper	1
27	618-0621	R Fr. Wheel Assy 23x7-10	1
28	600-5118	Washer M06	4
29	653-6010	Fr. Lower Swing Arm	2
30	552-3012	Fr. Brake Pad Set	2
31	620-6011	Fr. Wheel Hub Outer Collar	2
32	600-6010	O-Ring (D430)	16
33	620-6010	Fr. Wheel Hub Inner Collar	2
34	616-0061	Fr. Tire	2
35	619-0061	Fr. Aluml Rim-GTR	2
36	600-5910	Strut & Spindle Washer	2
37	636-6005	Strut & Spindle Cap	2

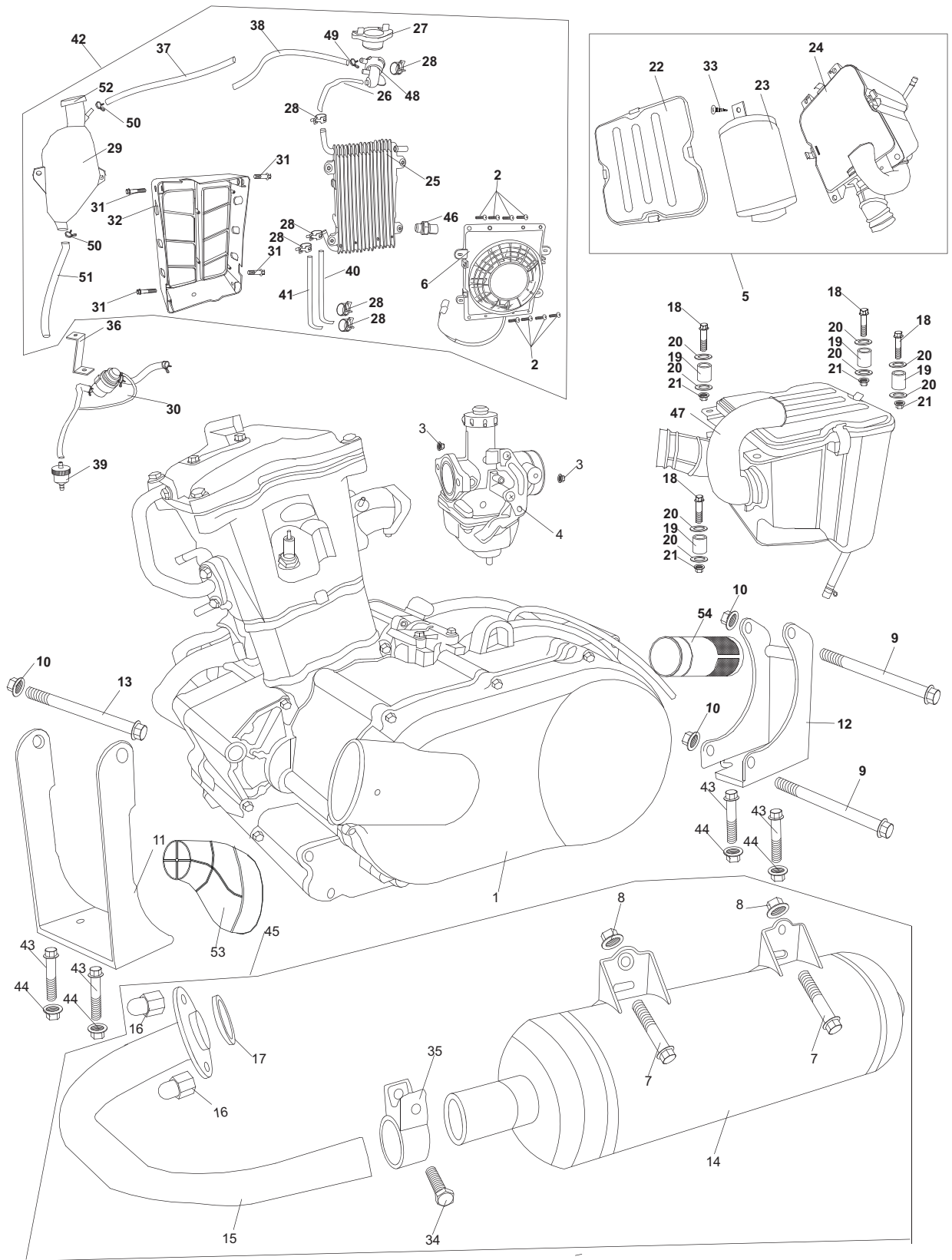
FIG.21 REAR CARGO RACK/SEAT/BELT



GTR250 PARTS MANUAL

Fig.21 REAR CARGO RACK/SEAT/BELT			
REF.	PART NO.	DESCRIPTION	QTY
1	609-6015	Tail Light Bulb 21w/5w 12v	1
2	509-3006	Tail Light (k61-500) short wire 38	1
3	500-1031	Lock Nut M06	2
4.1	650-0621	Rear Cargo Rack (Blue)	1
4.2	650-0622	Rear Cargo Rack (Sliver)	1
4.3	650-0623	Rear Cargo Rack (Carbon)	1
5	500-1079	Flange Bolt M08x30	4
6	500-1043	Flange Lock Nut M08	4
7	682-0061	Fuel Tank Comp.	1
8	512-1009	Tube seat 25 for C.B.C.Cage cap	6
9	600-0001	Washer Cap (black)	6
10	637-0014	Saftey Belt (2pcs/set-E-Mark)	2
11	640-6011	Fuel Cap	1
12	500-1051	Flange Bolt M08x55	6
13	634-6002	R Seat Comp	1
14	640-6001	Side Reflector	1
15	634-6001	L Seat Comp	1
16	613-6010	Fuel Cock Assy.	1
17	500-1098	Tube Clip (B8-98)	4
18	640-6020	Gas Filter	1
19	537-3016	Fuel Tube Comp -u	2
20	500-1026	Flange Bolt M08x40	4
21	600-2002	Lock Nut M05	2
22	600-0130	Bolt M11x25	5
23	600-5113	Washer M11	5
24	600-5413	Lock Washer M11	5
25	500-1045	Nut M11	5
26	600-0158	Bolt M06x10	2
27	613-6011	Fuel Pump	1
28	640-6201	Long Intake Fuel Tube	2
29	640-6001	Side Reflector	1
30	500-1071	Lock Washer M10	4
31	634-0004	Seat Adjuster	1

FIG.22 ENGINE/MUFFLER/AIR CLEANER

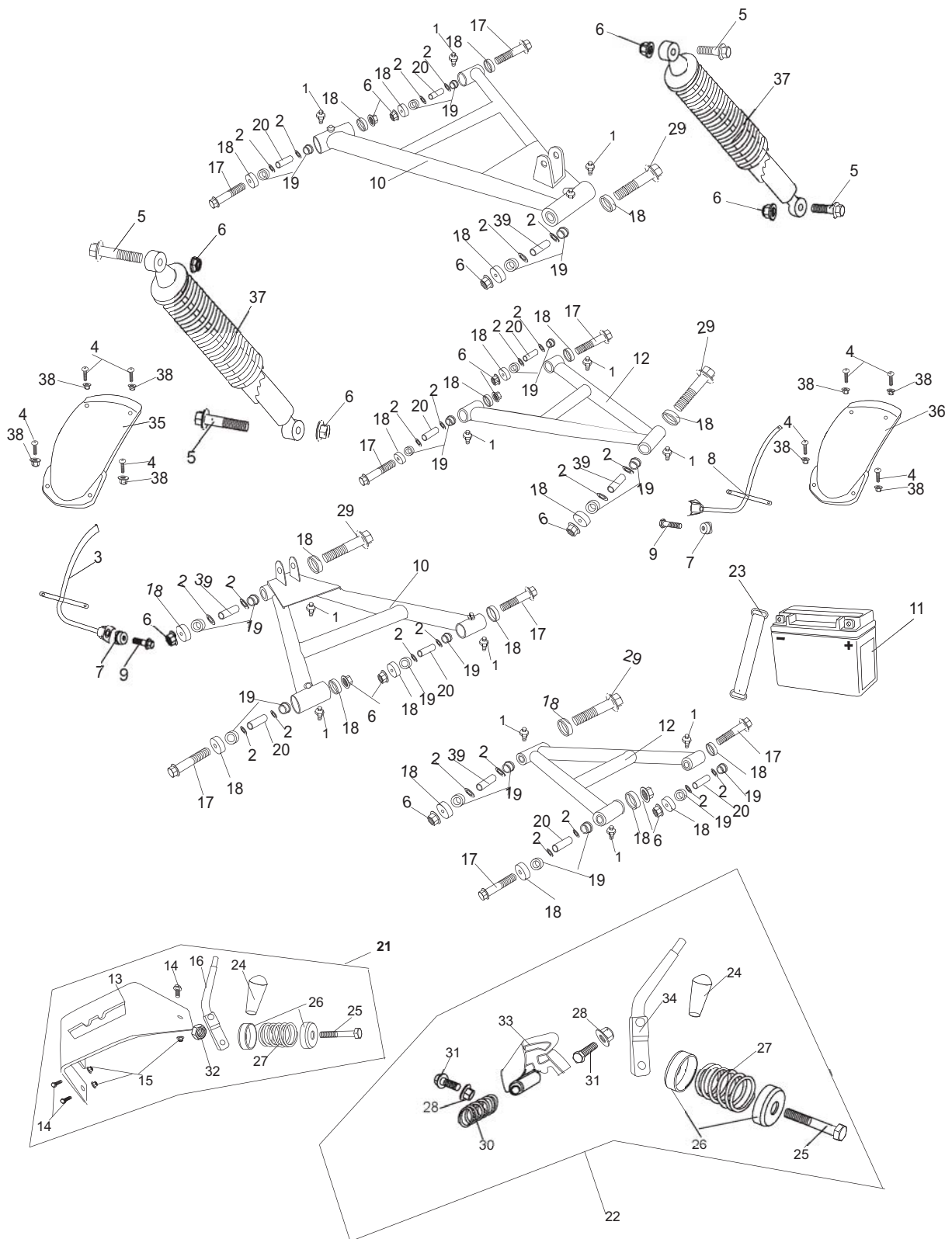


GTR 250 PARTS MANUAL

Fig.22 ENGINE/MUFFLER/AIR CLEANER

REF.	PART NO.	DESCRIPTION	QTY
1	8213-3122	Engine Assy	1
2	600-4601	Screw ST M4.2x20	8
3	8200-3291	Flange Nut M6	2
4	8213-3113	Carburetor Assy	1
5	8213-3124	Air Cleaner Assy	1
6	613-6012	Radiator Fan	1
7	500-1070	Flange Bolt M08x25 (8000)	2
8	500-1043	Flange Lock Nut M08-(8000)	2
9	600-0521	Flange Bolt M12x105	2
10	500-3006	Flange Lock Nut M12	3
11	637-6001	Engine Mount-Fr	1
12	637-6002	Engine Mount-Rr	1
13	600-0165	Engine Hanging Bolt-GTR	1
14	8240-3203	Rear Muffler	1
15	8240-3204	EX. Muffler Tube	1
16	8200-3292	Cap Nut M8	2
17	8200-3508	Muffler Tube Washer	1
18	600-0063	Flange Bolt M06x40	4
19	640-6604	Air Cleaner Bushing	4
20	600-5118	Washer M06x17	8
21	500-1031	Lock Nut M06	4
22	8213-3125	Air Cleaner Cover-s18-5	1
23	8213-3126	Air Cleaner Filter	1
24	8213-3127	Air Cleaner Case	1
25	613-6013	Radiator Body	1
26	640-6202	Radiator Intake Tube	1
27	640-6021	Radiator Cap	1
28	640-6402	Tube Clamp	6
29	640-6022	Water Reservoir	1
30	640-6023	Secondary Combust Valve	1
31	600-0512	Flange Bolt M06x10	4
32	613-6015	Radiator Cover	1
33	8200-3406	Screw ST 4.2x16	1
34	8200-3001	Bolt M08x45	1
35	513-3042	Muffler Tube Clamp-tw	1
36	613-6016	Secondary Combust Valve Fixing Base	1
37	640-6025	Overflow Pipe A	1
38	640-6026	Overflow Pipe B	1
39	613-6014	Postcombustion Air Clean	1
40	613-6017	Intake Tube	1
41	640-6203	Outer Tube	1
42	613-6020	Radiator Assy	1
43	600-0163	Bolt M10x40	4
44	500-3003	Hex Nut M10	4
45	8213-3000	Muffler Assy.	1
46	613-6019	Temperature Controller	1
47	8240-3310	Air Clean Inlet Pipe-muffler	1
48	640-6027	Filler Neck	1
49	8240-3501	Drain Tube Clip B -SD8.5	1
50	8240-3502	Drain Tube Clip A -SB12.5	2
51	640-6204	Reservoir Tube	1
52	640-6028	Water reservoir Cap	1
53	640-6029	Left Crank Case Dust Boot, Intake	1
54	640-6024	Left Crank Case Dust Boot, Extake	1

FIG.23 REAR SWING ARM

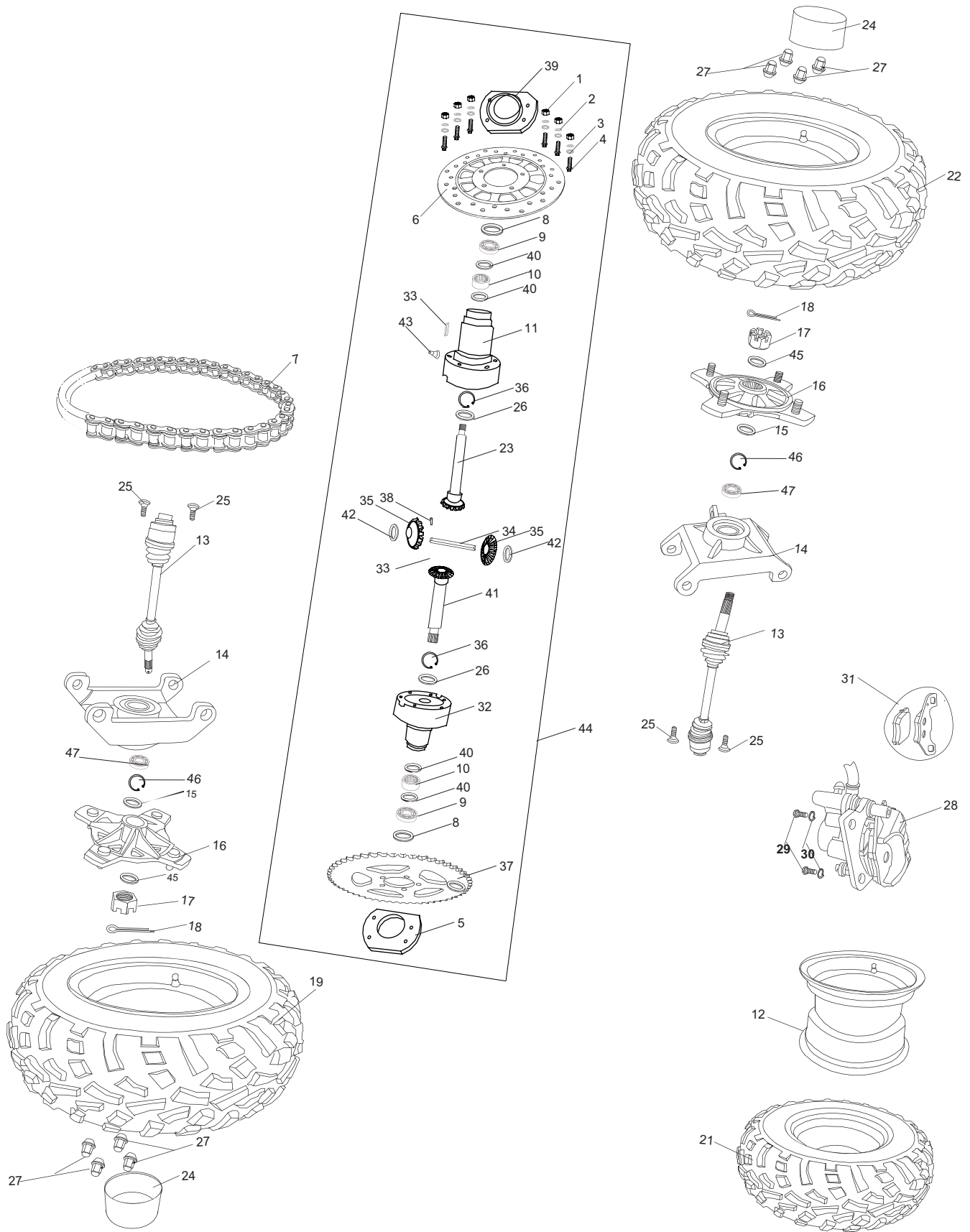


GTR 250 PARTS MANUAL

Fig.23 REAR SWING ARM

REF.	PART NO.	DESCRIPTION	QTY
1	600-9001	Grease Fitting M06	12
2	600-6011	O-Ring (D434)	24
3	637-6404	Rr. R. Fender Bracket-k61	1
4	600-0404	Cross Bolt M6x16	8
5	600-0523	Flange Bolt M12x45	4
6	500-3006	Flange Lock Nut M12	16
7	600-0001	Washer Cap (black)	2
8	637-6403	Rr. L. Fender Bracket-k61	1
9	500-3045	Flange Bolt M08x55	2
10	653-6013	Rr. Upper Swing Arm	2
11	609-6018	Battery (FPM12-12)-K61=509-3011	1
12	653-6012	Rr. Lower Swing Arm	2
13	639-6002	Reverse Lever Bracket	1
14	600-0514	Flange Bolt M06x1.25x20	3
15	500-1064	Flange Lock Nut M06	3
16	639-6001	Reverse Lever	1
17	600-0522	Flange Bolt M12x95	8
18	653-6021	Rear Swing Arm Dust Cover	24
19	653-6022	Rear Swing Arm Inner Collar	24
20	653-6023	Rear Swing Arm Short Collar	8
21	652-6012	Parking Brake Assy.	1
22	652-6013	Brake Lever Assy.	1
23	609-6016	Battery Strap	1
24	699-0003	Reverse/Parking Shifter Knob	2
25	500-3044	Flange Bolt M08x50	2
26	528-3003	Lever Spacer	4
27	557-1005	Lever Spring	2
28	500-1004	Flange Lock Nut M08	2
29	600-0113	Rear Carrier Bolt	4
30	657-0060	Cable Spring	1
31	500-1108	Flange Bolt M08x20	2
32	500-1073	Nut M08	1
33	652-6010	Parking Lever Bracket	1
34	652-5008	Brake Lever	1
35	637-6202	Rr. Fender L/R	1
36	637-6202	Rr. Fender L/R	1
37	653-6002	Rr. Shock	2
38	500-1031	Lock Nut M06	8
39	653-6024	Rear Swing Arm Long Collar	4

FIG.24 REAR HOUSING

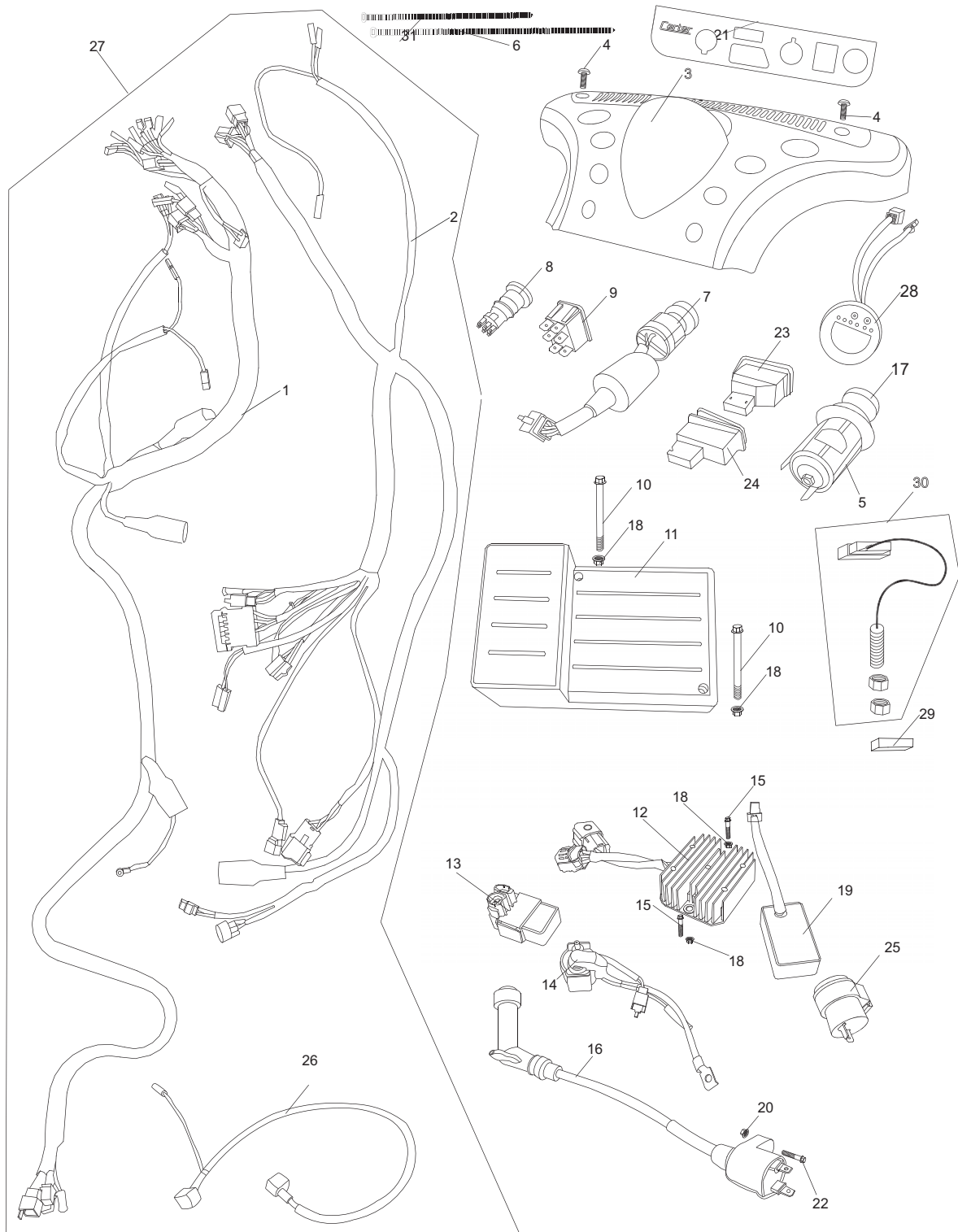


GTR 250 PARTS MANUAL

Fig.24 REAR HOUSING

REF.	PART NO.	DESCRIPTION	QTY
1	600-2701	Hex Nut M08	6
2	500-1107	Lock Washer M08	6
3	600-5119	Washer M08	6
4	600-2305	Flange Bolt M08x80	6
5	640-6907	R Bearing Holder -Rr. Housing	2
6	640-6908	Rr. Brake Disk	1
7.1	631-6001	O-ring Drive Chain	1
7.2	631-6002	68 Links Heavy Duty Chain (Accessory)	1
8	640-6910	Seal-Brake Disk	2
9	622-6901	Bearing 941/25	2
10	622-6902	Needle Bearing 6008	2
11	640-6901	L. Differential Housing (Long)	1
12	619-0062	Rr. Alum Rim	2
13	627-6062	Rr. CV Axle	2
14	637-6005	Rr. Wheel Knuckle	2
15	600-5117	Washer M27	4
16	620-6002	Rr. Hub	2
17	600-2513	Castle Nut M22	2
18	500-1040	Cotter Pin 3x30	2
19	618-0622	Rr. R Wheel Assy-K61	1
20	620-6014	Rr. Drive Axle Housing	1
21	616-0062	Rr. Tire-K61	2
22	618-0612	Rr. L Wheel Assy - K61	1
23	627-6901	Rr. Alxe-Long w/ Side Gear	1
24	620-6013	Rr. Wheel Hub Cap	2
25	600-0114	Rear Drive Axle Bolt	4
26	640-6906	Thrush Washer	4
27	600-2602	Lug Nut Cap M10	8
28	652-6011	Rear Disc Brake Pump	1
29	600-0517	Flange Bolt M08x16	2
30	600-5810	Spring Washer M08	2
31	552-3012	R Brake Pad Set	1
32	640-6902	R.Differential housing (Short)	1
33	640-6032	Speedomanet	2
34	640-6909	Spider Gear Pin	1
35	640-6904	Pinion Gear	2
36	600-8009	Circlip -Pinion Gear	2
37	623-6901	Rear. Housing Sproket-54teeth	1
38	640-6905	Shaft Pin	1
39	640-6916	L Bearing holder	1
40	640-6917	Spring Lock washer	4
41	627-6902	Rr. Alxe-Short (D20) w/ Side Gear	1
42	640-6918	Washer (Pinion Gear)	1
43	600-9003	Grease Fitting-Rr. DF Housing	1
44	640-6920	Differential Assy (D20)	1
45	600-5120	Washer M22	2
46	600-8208	Rr. Wheel Knuclke Circlip	2
47	640-6032	Bearing	2

FIG.25 WIRE HARNESS/ELECTRICAL



GTR 250 PARTS MANUAL

Fig.25 WIRE HARNESS/ELECTRICAL

REF.	PART NO.	DESCRIPTION	QTY
1	609-6019	Front Wire Harness	1
2	609-6020	Rear Wire Harness	1
3	609-6021	Switch Panel Cover-power supply L ** (609-6033 power supply R)	1
4	500-1066	Pan Screw M05X12	2
5	609-6031	Power Outlet	1
6	609-0015	Wire Harness zip Tie	10
7	609-6022	Ignition Start Switch	1
8	609-0006	Engine Stop Button	1
9	509-1005	Light Switch	1
10	600-0515	Flange Bolt M06x70	2
11	640-6016	Electric Cover Lid	1
12	8209-3001	Regulate Rectifier Comp	1
13	8209-3002	C.D.I. Unit Comp	1
14	8209-3003	Starting Relay	1
15	500-1313	Flange Bolt M06x20	2
16	8209-3004	Ignition Coil Comp	1
17	609-6032	Power Outlet cover	1
18	500-1031	Lock Nut M06	4
19	609-6023	Water Temperature Warning Unit	1
20	500-1048	Hex Nut M05	1
21	640-6018	Decal Panel Cover	1
22	600-0511	Flange Bolt M05x20	1
23	609-0007	Direction Indicator Lamp Switch	1
24	609-6024	Speaker Switch	1
25	609-6025	Blinker Relay	1
26	609-6026	Negative Wire	1
27	609-6027	Wire Harness set	1
28	609-6028	Odometer	1
29	609-6029	Ceramic Cladding Cylinder	1
30	609-6030	Velocity Transducer	1
31	640-6017	Shorter Wire harness Lace	18

FIG.26 Side Panels & Hood Cover

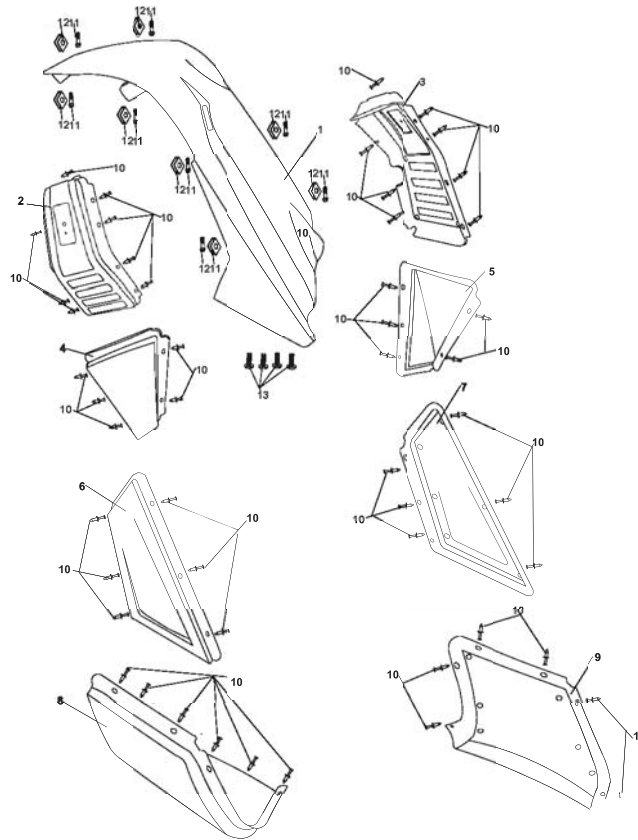


Fig.26 SIDE PANEL & HOOD COVER

REF.	PART NO.	DESCRIPTION	QTY
1	680-0601	Hook	1
2	680-0602	Front Left Trail Board	1
3	680-0603	Front Right Trail Board	1
4	680-0604	Front Middle Left Trail Board	1
5	680-0605	Front Middle Right Trail Board	1
6	680-0606	Rear Middle Left Trail Board	1
7	680-0607	Rear Middle Right Trail Board	1
8	680-0608	Rear Left Trail Board	1
9	680-0609	Rear Right Trail Board	1
10	600-0135	Rubber Bolt (10PCS/SET)	50
11	640-6019	Self Lock M6	8
12	500-1009	Flange Bolt M06x12	8
13	600-4601	Screw ST M4.2x20	4

Fig.27 TOOL KIT

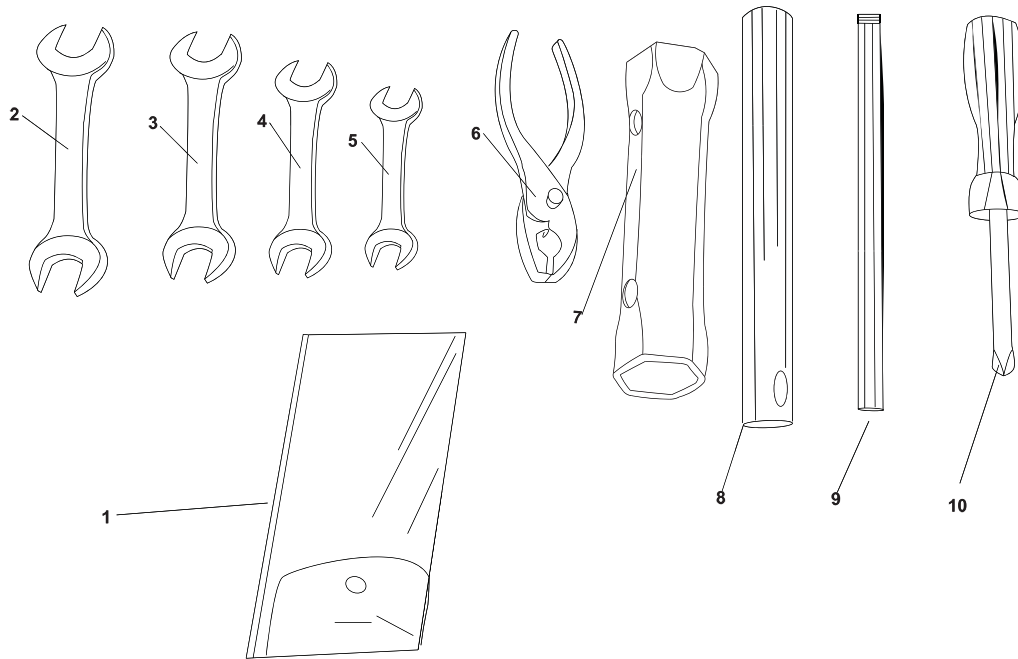


Fig.27 TOOL KIT			
REF.	PART NO.	DESCRIPTION	QTY
1	608-0001	Tool Bag	1
2	608-0002	Open-Ended Wrench 17x19	1
3	608-0009	Open-Ended Wrench 13x15	1
4	608-0004	Open-Ended Wrench 12x14	1
5	608-0005	Open-Ended Wrench 8x10	1
6	608-0006	Slip-Joint Pliers	1
7	608-0007	Spark Plug Wrench	1
8	608-0008	Tube Wrench	1
9	608-0003	ROD	1
10	608-0010	Screw Drive Handle Stem	1

FIG.28 WARNING STICKERS



FIG.28 WARNING STICKERS			
REF.	PART NO.	DESCRIPTION	QTY
1	503-3000	Label, Parking Brake	1
2	603-0005	Hot, Dot Touch Sticker	1
3	503-3014	Label, Chain Guard	1
4	503-3002	Label, No Long Hair	1
5	503-3003	Label, Warning HAZ	1
6	503-3004	Label, No Riding	1
7	503-3005	Label, Warning LOSS	1
8	503-3006	Label, Seat Belt	1
9	503-3012	Label, Warning VEH	1
10	603-0006	Rear Cargo Max. Loading Sticker	1

FIG.29 STICKERS



Fig.29 STICKERS

REF.	PART NO.	DESCRIPTION	QTY
1	603-0061	Botton Front Sticker	1
2	603-0062	Front Pannel Sticker	1
3	603-0063	Sterring Wheel Sticker	1
4	603-0064	Center Left Side Sticker	1
5	603-0065	Center Right Side Sticker	1
6	603-0066	Rear Decoration Sticker	1
7	603-0067	Rear Cargo Sticker	2



Carter Brothers Manufacturing, Co. , Inc.
1871 U.S. Highway 231 South
Brundidge, Alabama 36010
Phone: 800-523-5278