



# 2020 Torpedo 208

10th letter in VIN: L



## ILLUSTRATED PARTS BOOK

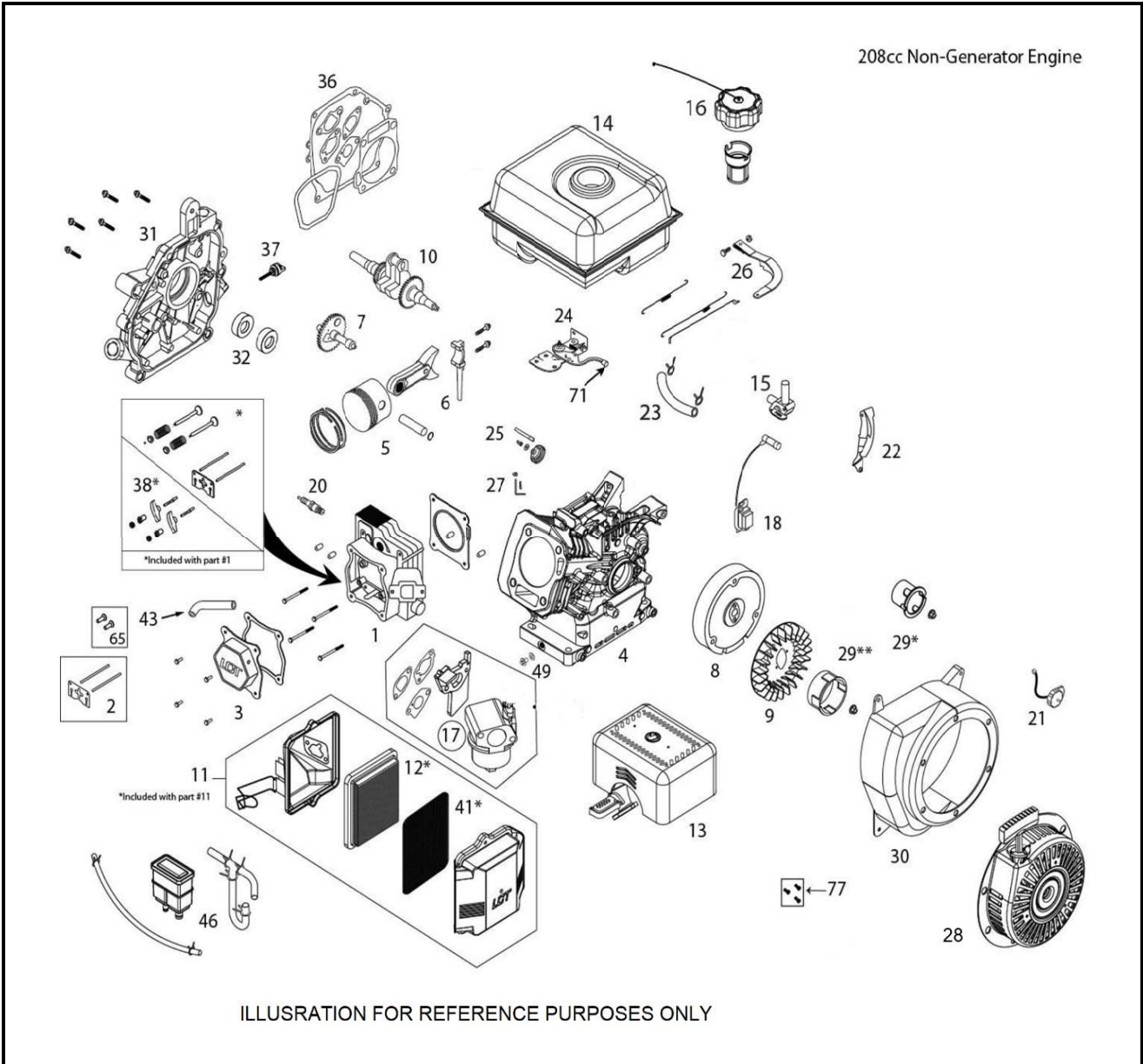


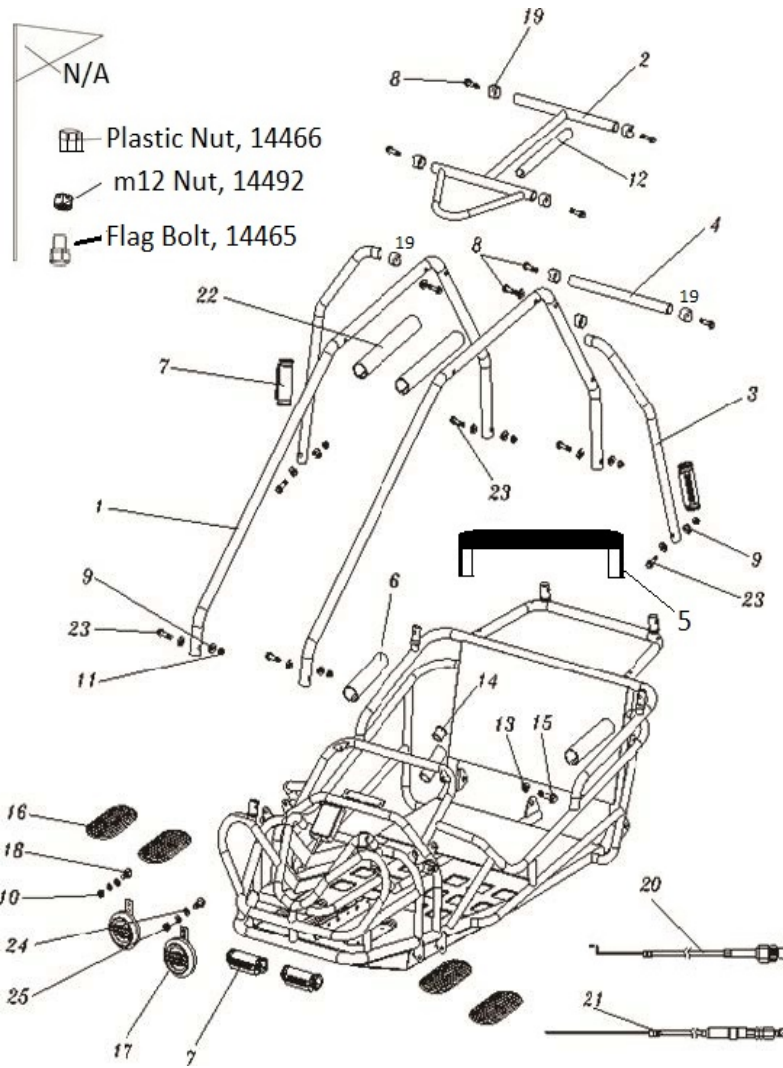
ILLUSTRATION FOR REFERENCE PURPOSES ONLY

PLMHK14650124PBKPOQTUV36E1M

Ref#	CPC #	Description
1	20810001	Cylinder Head Assembly
2	20810011	Push Rod Kit (208cc)(incl. valve cover gskt)
3	20845011	Valve Cover (208cc)
4	20813061	Cylinder (Gen Ii- No Low Oil Sensor)(208cc)
5	20814001	Piston Assembly
6	20815001	Connecting Rod Assembly
7	20816001	Camshaft System Assembly
8	20804151	Flywheel (208cc)
9	20840001	Cooling Fan- Flywheel
10	20818001	Crankshaft Assembly-Keyed
11	20820021	Air Filter Assembly Of Paper
12	20820121	Pleated Paper Air Filter (Ref #41 incl.)
13	20821001	Muffler Assembly
14	20822191	Fuel Tank (2.7L)(Black- W/Reg Mtg-Stant Cap)
15	20822211	1/4 Fuel Petcock (Non-Generator)

16	20822131	Fuel Tank Cap-Black Stant w/chain
17	13624001	Carburetor - incl spacer-choke-gaskets
18	20825701	Ignition Coil (Integrated CDI 208cc)(Summer)
20	20838101	Spark Plug
22	20824051	Flywheel Baffle Plate
23	20860001	Fuel Hose Kit
24	20828201	Throttle Control
25	20829001	Governor Gear Assembly
26	20830001	Governor Link Assembly(Summer)
27	20831001	Governor Arm Shaft Assembly
28	20832002	Recoil Starter Assy(Round-Black)
29	20833002	Starter Cup (Non-Slotted)
30	20834201	Blower Housing (Black)(Es Wo/Switch Hole- W/Finger Guard)
31	20836001	Crankcase Cover Assy
32	20839001	Oil Seal Kit (2 Pcs)
36	20843001	Gasket Kit
37	20837111	Small Black Dipstick
38	20811001	Rocker Arm Assembly
39	20821201	Choke Lever Assembly Kit
43	20845101	Breather Tube (136/208cc)
46	20890041	Carbon Canister Kit
49	20899111	Oil Drain Plug Kit
65	20810051	Tappet Kit (order gasket seperately)
70		
72		
77	99991	Recoil Bolt Kit

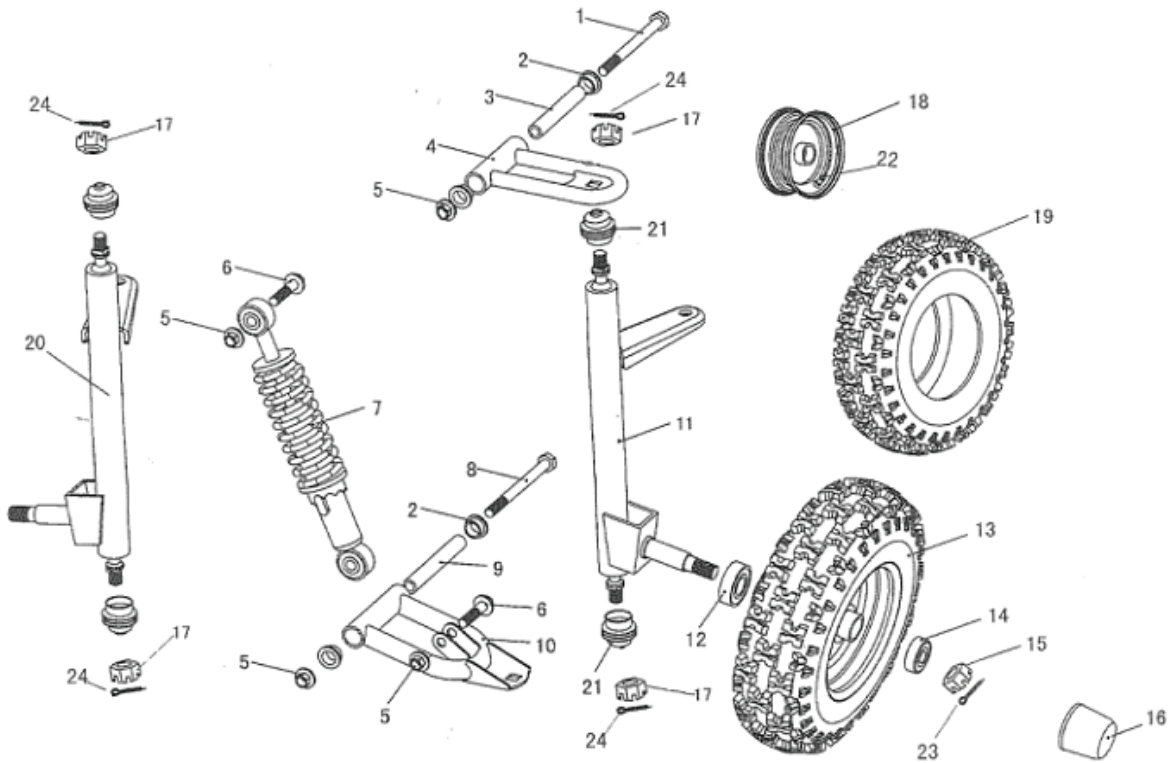
# FRAME PARTS



Ref Num	Part Num	Description	Qty
1	8.070.045	CUSTOM BAR CAGE.Black	2
2	6.000.194	CUSTOM CROSS BAR TOP.FR.Black	1
3	8.070.046	CUSTOMJ-BAR.L.R.SIDE Black	2
4	8.080.041	CUSTOM CROSS BAR.RR.Black	1
5	21-0634-00	HEAD/BACK SUPPORT BAR Black	1
6	6.000.189	FOAM PADDING--22	2
7	7.020.048	RUBBER PROTECTOR	4
8	9.108.045	BOLT m8x1.25x45	14
9	7.010.049	R-WASHER	20
10	9.220.008	LOCK NUT M8	2
11	9.220.008	LOCKING FLANGE NUT M8	6
12	6.000.191	FOAM PADDING	1
13	9.220.010	LOCKING FLANGE NUT.M10	1
14	7.010.006	STEERING SHAFT BUSH	1
15	9.110.020	BOLT m10x1.25x20	1
16	7.020.045	RUBBER FOOT PLATE	4
17	6.000.135	HORN	2
18	9.108.014	FLANGE BOLT m8x1.25x14	2
19	7.010.045	CUSTOM BAR CAGE CAP	8
20	6.030.132	THROTTL CABLE COMP.	1
21	6.000.133	BRAKE CABLE COMP.	1
22	6.000.190	FOAM PADDING--30	2
23	9.108.050	BOLT m8x1.25x50	6
24	9.300.008	FLAT WASHER M8	2
25	9.400.008	LOCK WASHER M8	2

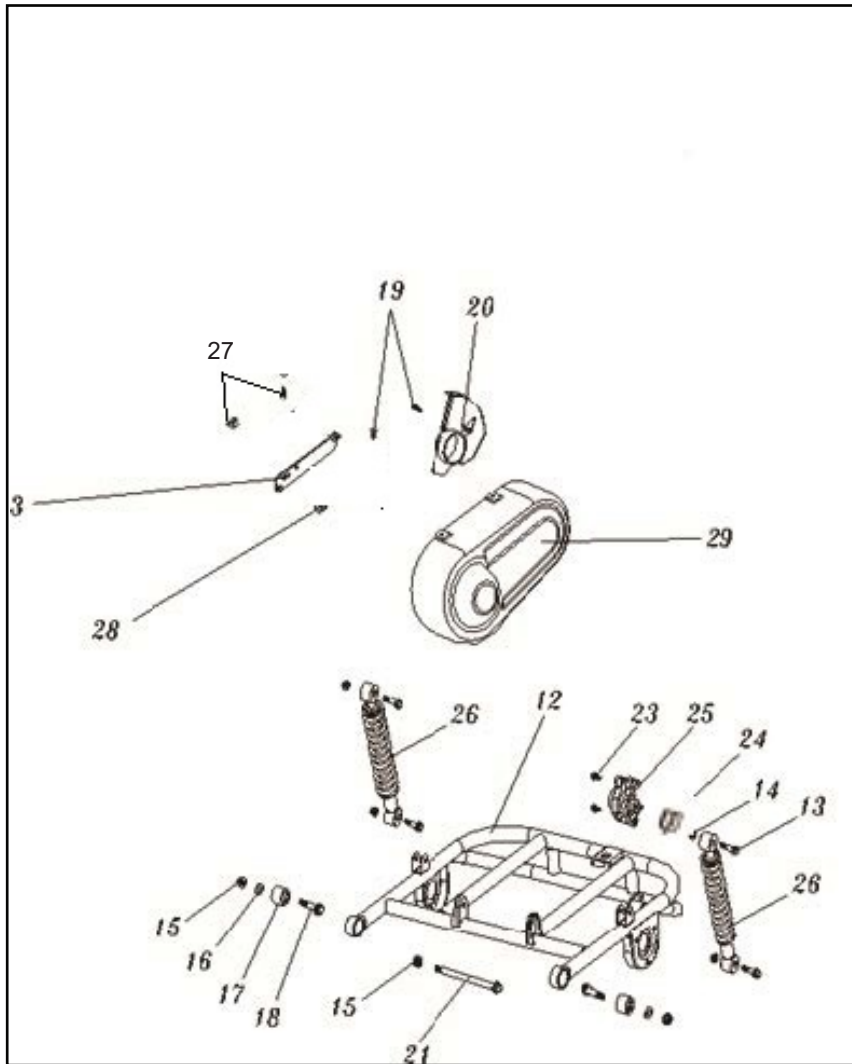


# FRONT SUSPENSION



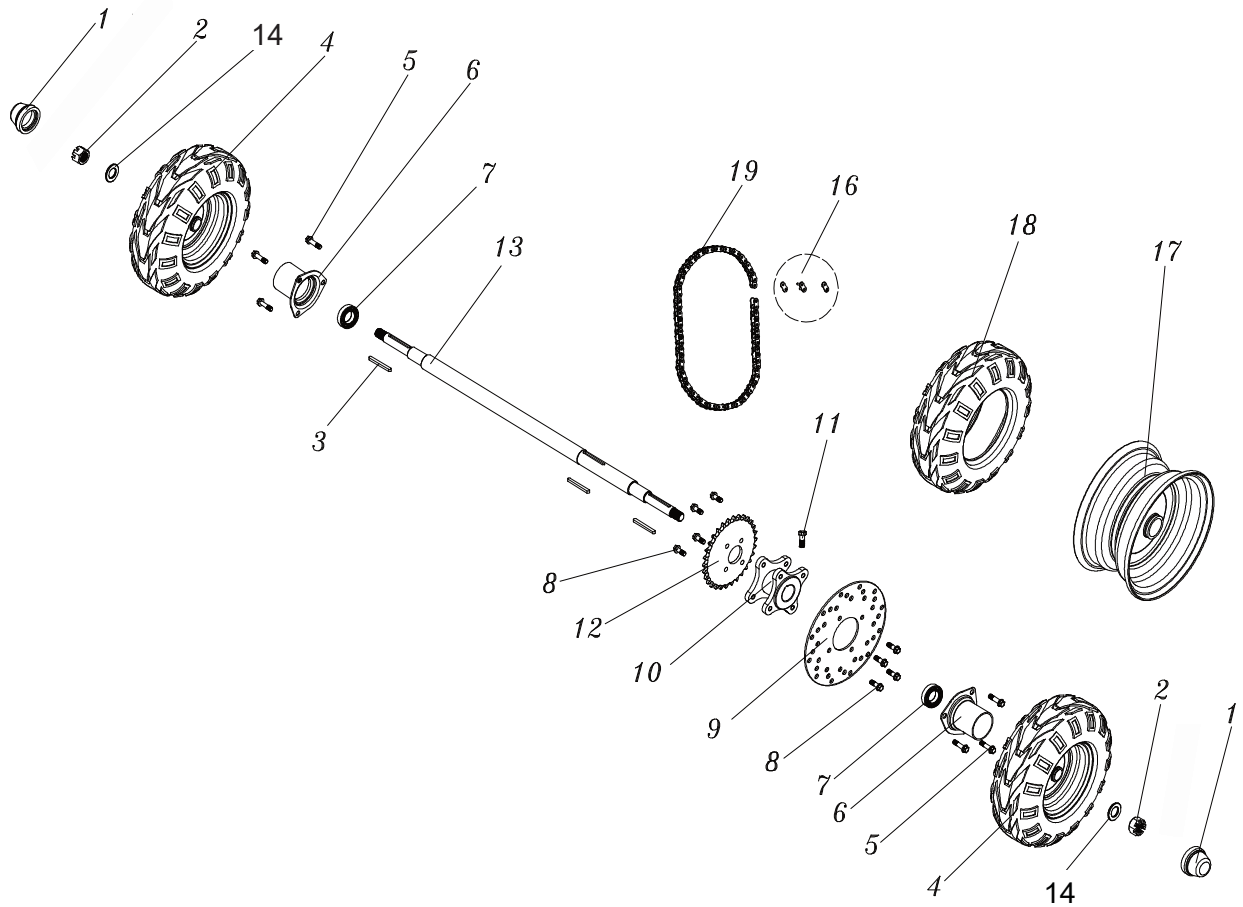
Ref Num	Part Num	Description	Qty
1	9.108.095	FLANGE BOLT M8X1.25X95	2
2	7.010.003	UPPER SUSPENSION ARM BUSH	8
3	8.010.104	UPPER SUSPENSION ARM COLLAR	2
4	4.000.020	UPPER SUSPENSION ARM	2
5	9.220.008	LOCKING FLANGE NUT M8	8
6	9.108.035	FLANGE BOLT M8X1.25X35	4
7	6.000.172	CUSHION ASSY.FR	2
8	9.108.105	FLANGE BOLT M8X1.25X105	2
9	8.010.015	LOWER SUSPENSION ARM COLLAR	2
10	4.000.021	LOWER SUSPENSION ARM ASSY	2
11	2.000.031	SPINDLE AND STRUT SUPPORT, RIGHT	1
12	9.030.010	BEARING 6202	2
13	6.100.169	FRONT TIRE/WHEEL ASM. (black wheel)	2
14	9.030.009	BEARING 6201	2
15	9.800.012	CASTLE NUT M12	2
16	7.020.039	HUB COVER.FR	2
17	9.800.010	CASTLE NUT M10	4
18	6.000.182-BK	FRONT WHEEL (black)	2
19	001-133506-00	TIRE.FR 13x4.10-6	2
20	2.000.032	SPINDLE AND STRUT SUPPORT, LEFT	1
21	7.020.061	BALL HEAD DUST SEAL	4
22	7.190.018	AIR VALVE	2
23	9.500.002	COTTER PIN 2.5X30	2
24	9.500.220	COTTER PIN 2X25	4

# REAR SUSPENSION



Ref Num	Part Num	Description	Qty
1			
2			
3	21-0627-00	CHAIN GUARD BRACKET	1
4			
5			
6			
7			
8			
9			
10			
11			
12	14-0602-00	REAR SWING ARM	1
13	9.108.035	FLANGE BOLT M8X1.25X35	4
14	9.220.008	LOCKING FLANGE NUT M8	4
15	9.220.010	LOCKING FLANGE NUT M10	3
16	003-10040-00	SEAT BELT COLLAR	2
17	7.020.056	REAR SWING ARM BUSH	2
18	9.110.050	FLANGE BOLT M10X1.25X50	2
19	003-050030-00	SCREW ST4.8X15	3
20	14-0207-00	CHAIN GUARD SECONDARY	1
21	14662	FLANGE BOLT M10X1.25X174	1
22			
23	9.106.016	FLANGE BOLT M6X16	2
24	7.020.060	BRAKE PAD SET. RR	1
25	21-1402-00	CALIPER ASSY. RR	1
26	6.000.173	CUSHION ASS'Y. RR	2
27	9.106.016	FLANGE BOLT M6X16	2
28	9.108.016	FLANGE BOLT M8X16	2
29	8.011.021	CHAIN GUARD	1
30			1

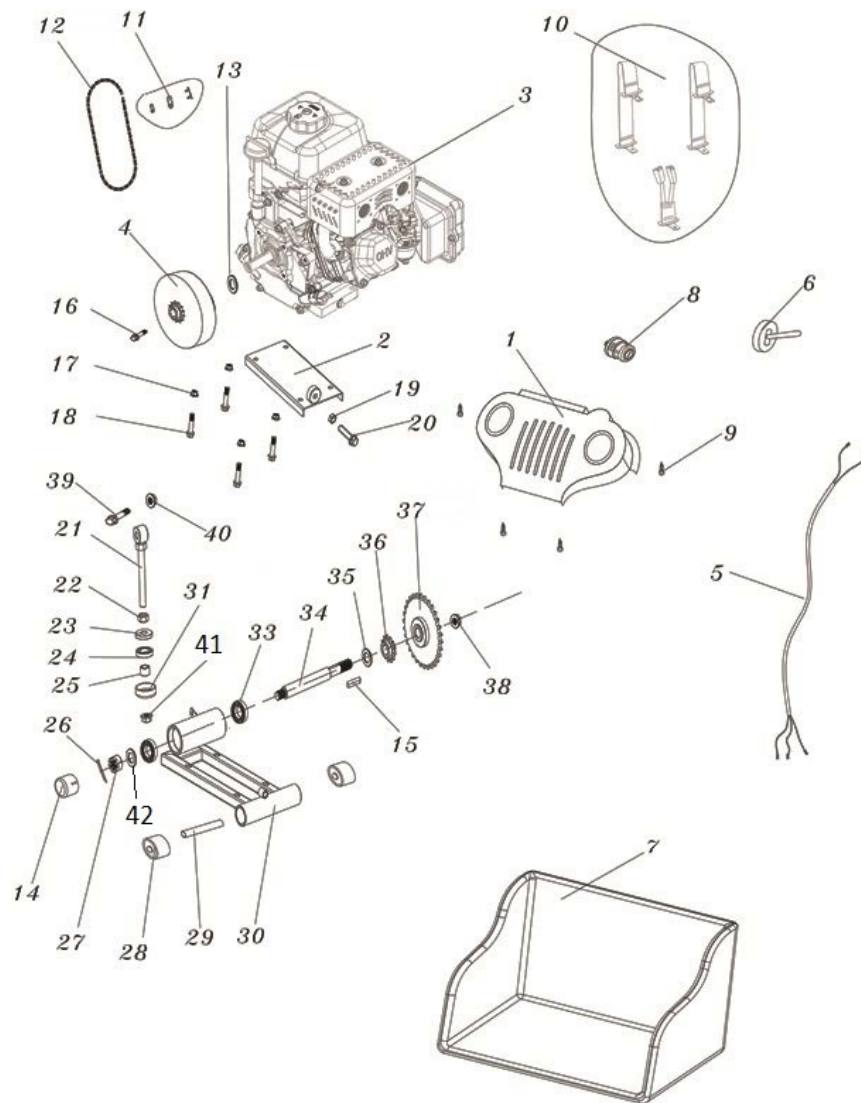
# REAR AXLE HOUSING



Ref Num	Part Num	Description	Qty
1	7.020.039	HUB COVER	2
2	9.220.014	LOCKING FLANGE NUT M14	2
3	8.010.138	AXLE KEY	3
4	6.000.170	REAR TIRE/WHEEL ASM. (black wheel)	2
5	9.108.016	FLANGE BOLT M8X1.25X16	6
6	6.000.196	AXLE COVER	2
7	9.030.002	BEARING 6204	2
8	9.106.016	FLANGE BOLT M6X16	8
9	8.010.098	DISC BRAKE RR	1
10	8.010.097	REAR AXLE SPROCKET/BRAKE ROTOR HUB	1
11	9.129.816	ALLEN HEAD BOLT M8X1.25X16	1
12	8.010.099	REAR SPROCKET	1
13	14-1101-00	REAR AXLE	1
14	9.300.014	FLAT WASHER 14	2
15	7.190.018	AIR VALVE	2
16	6.000.199	MASTER LINK	1
17	6.000.183	REAR WHEEL (black)	2
18	001-136005-00	TIRE,RR 13X5-6	2
19	9.070.004-S	DRIVE CHAIN	1



# ENGINE / ENGINE MOUNT / SEAT / ELECTRICAL



Ref Num	Part Num	Description	Qty	Ref Num	Part Num	Description	Qty
1	14-0205-00	SWITCH PANEL COVER	1	21	8.147.008	CHAIN ADJUSTER	1
2	14-0604-00	ENGINE MOUNTING PLATE	1	22	9.200.012	NUT M12X1.25	1
3	006-LCT136	ENGINE COMP. (50 state)	1	23	8.010.042	WASHER-CHAIN ADJUSTER	2
4	14-1102-00	CLUTCH with 12 tooth sprocket	1	24	7.020.001	SPACER-CHAIN ADJUSTER	1
5	21-0303-00	WIRE HARNESS	1	25	8.010.041	BUSHING-CHAIN ADJUSTER	1
6	20-0320-00	ON/OFF ENGINE TOGGLE SWITCH	1	26	9.500.002	COTTER PIN $\phi$ 2.5X30	1
7	6.000.176	SEAT COMP.	1	27	9.800.014	CASTLE NUT M14X1.5	1
8	6.000.165	POWER ON SWITCH (Key Switch)	1	28	7.020.056	ENGINE PLATE BUSHING	2
9	003-520013-00	Self Tapping Screw 4.2x10	4	29	14-0503-00	COLLAR	1
10	6.000.179	SAFETY BELT	1	30	14-0605-00	ENGINE MOUNTING FRAME	1
11	6.100.324	MASTER LINK	1	31	8.020.045	BOTTOM CAP WASHER-CHAIN ADJUSTER	1
12	14-1103-01	DRIVE CHAIN (420x52L)	1	33	6.100.065	BEARING 6004	2
13	003-96850-00	Clutch Washer	1	34	14-1104-00	Shaft, Sprocket and Drive Pulley	1
14	14723	Rubber Cover	1	35	9.701.016-K	KEYWAY FLAT WASHER 16	1
15	14-1105-00	Rear Clutch Axle Key	1	36	008-13-06B	13 Teeth Sprocket	1
16		BOLT 5/16-24X1.75"	1	37	008-36-420	36 Teeth Sprocket	1
17	9.220.008	LOCKING FLANGE NUT M8	4	38	9.700.098	NYLON LOCK NUT M16	1
18	9.108.055	BOLT M8X55	4	39	9.110.045	BOLT M10X1.25X45	1
19	9.200.008	NUT M8	1	40	9.220.010	Nut M10	1
20	9.108.060	BOLT M8X60	1	41	9.220.012	LOCK NUT M12	1
				42	9.300.014	FLAT WASHER 14	1