

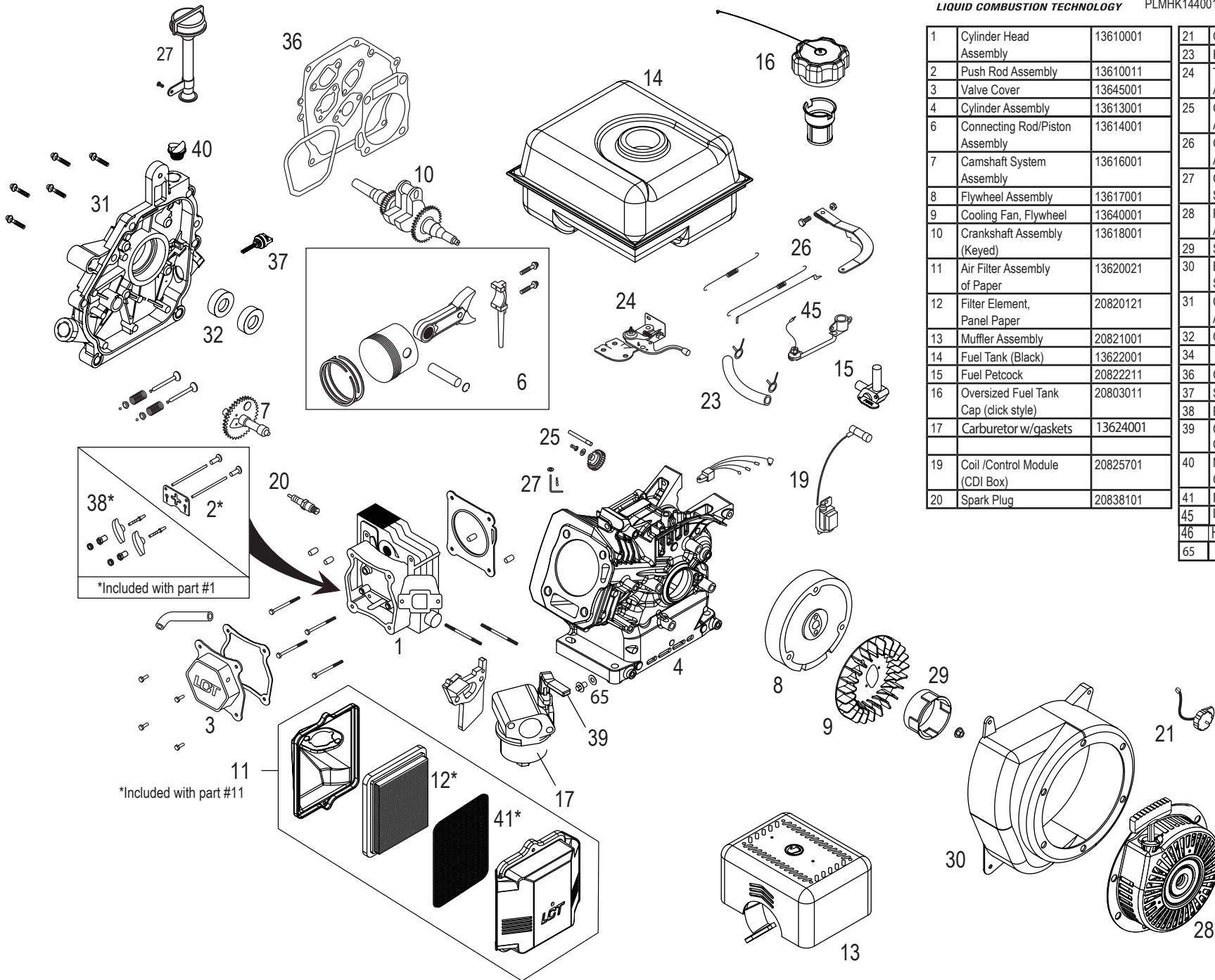


# 2019 Torpedo

10th letter in VIN: K

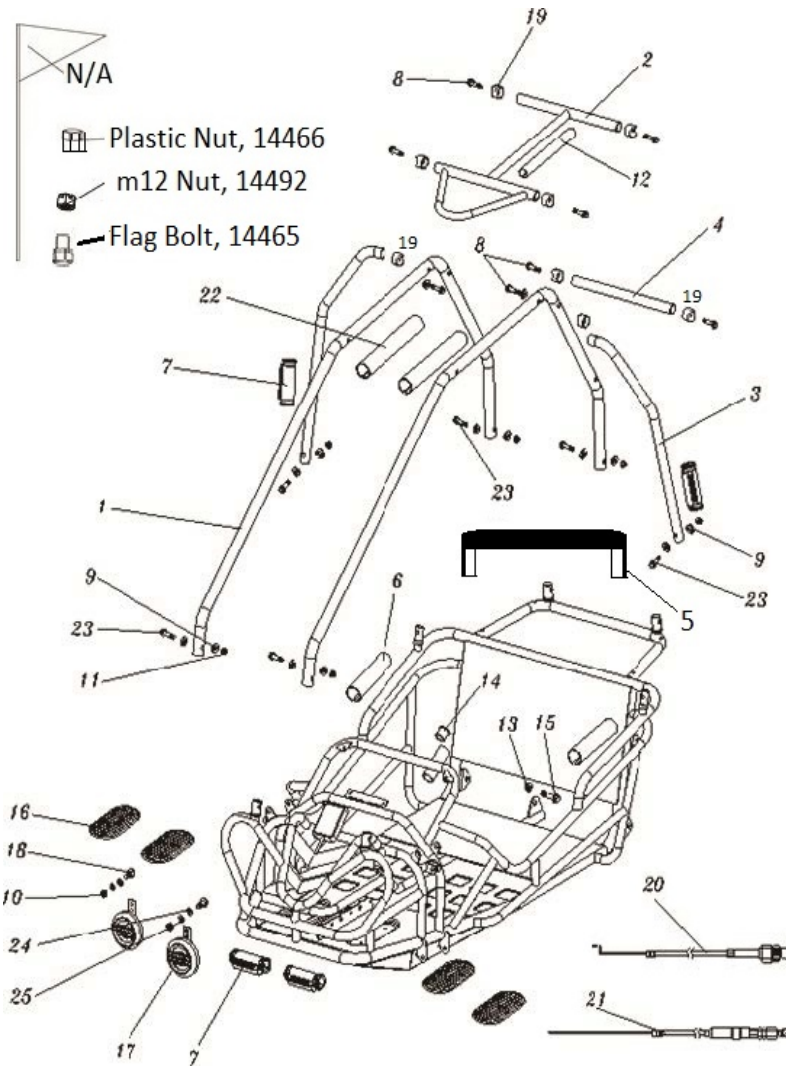


## ILLUSTRATED PARTS BOOK



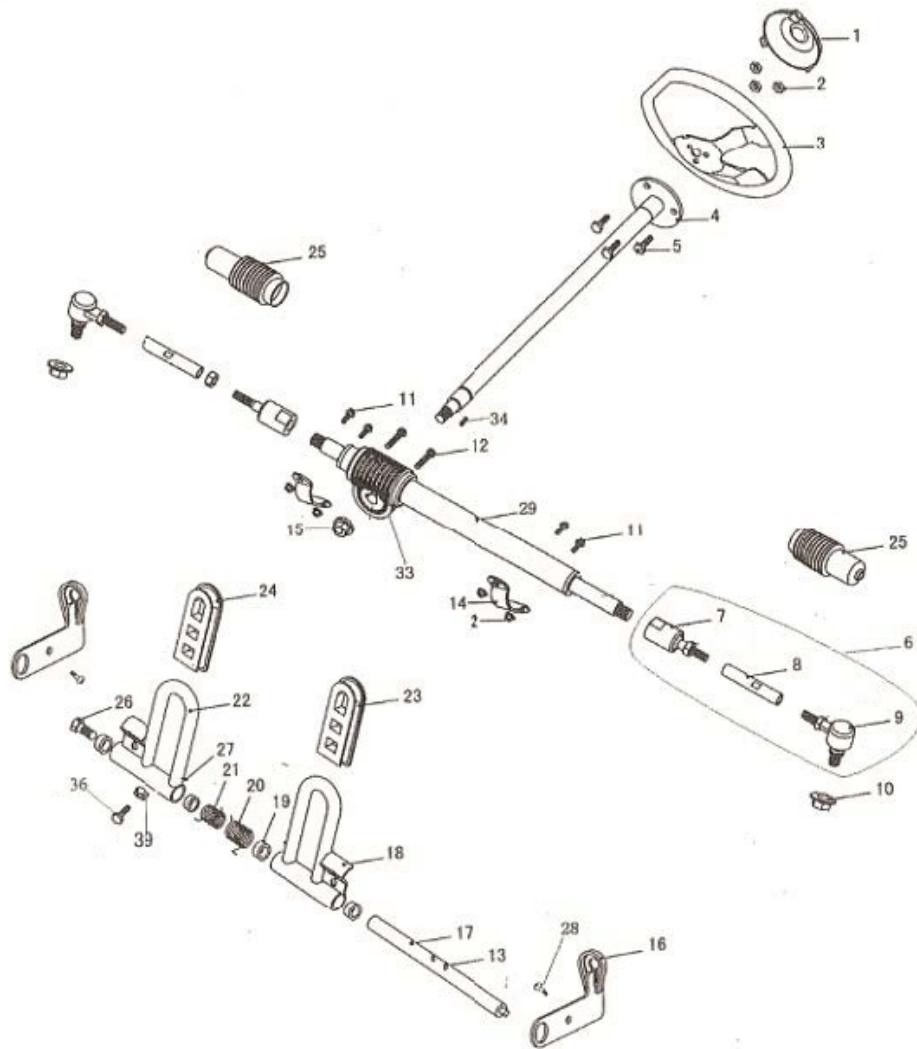
1	Cylinder Head Assembly	13610001	21	On/Off Switch	20826001
2	Push Rod Assembly	13610011	23	Fuel Hose Kit	20860001
3	Valve Cover	13645001	24	Throttle Control Assembly	13628001
4	Cylinder Assembly	13613001	25	Governor Gear Assembly	20829001
6	Connecting Rod/Piston Assembly	13614001	26	Governor Link Assembly w/springs	13630001
7	Camshaft System Assembly	13616001	27	Governor Arm Shaft Assembly	13631001
8	Flywheel Assembly	13617001	28	Recoil Starter Assembly	20832002
9	Cooling Fan, Flywheel	13640001	29	Starter Cup	13616011
10	Crankshaft Assembly (Keyed)	13618001	30	Blower Housing Service Kit	13634001
11	Air Filter Assembly of Paper	13620021	31	Crankcase Cover Assembly	13636001
12	Filter Element, Panel Paper	20820121	32	Oil Seal Kit	13639001
13	Muffler Assembly	20821001	34		
14	Fuel Tank (Black)	13622001	36	Gasket Kit	13643001
15	Fuel Petcock	20822211	37	Small Black Dipstick	20837111
16	Oversized Fuel Tank Cap (dick style)	20803011	38	Rocker Arm Assy	13611001
17	Carburetor w/gaskets	13624001	39	Choke Lever, Carburetor	20821201
19	Coil /Control Module (CDI Box)	20825701	40	Non-Removable Oil Plug	20837051
20	Spark Plug	20838101	41	Foam Pre-Filter	20890011
			45	Low Oil Sensor	20827001
			46	High Oil-Fill Tube	3637001
			65	Oil Drain Plug/Washer	20899111

# FRAME PARTS



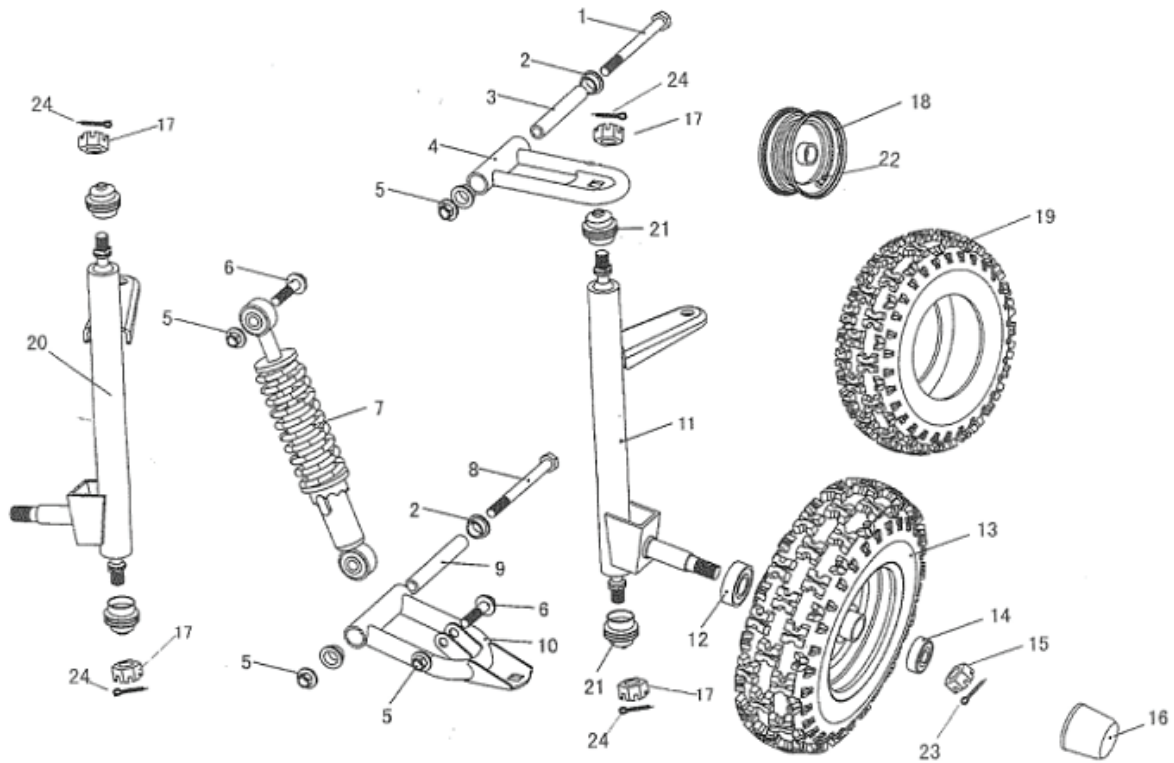
Ref Num	Part Num	Description	Qty
1	8.070.045	CUSTOM BAR CAGE.Black	2
2	6.000.194	CUSTOM CROSS BAR TOP.FR.Black	1
3	8.070.046	CUSTOMJ-BAR.L.R.SIDE Black	2
4	8.080.041	CUSTOM CROSS BAR.RR.Black	1
5	21-0634-00	HEAD/BACK SUPPORT BAR Black	1
6	6.000.189	FOAM PADDING--22	2
7	7.020.048	RUBBER PROTECTOR	4
8	9.108.045	BOLT m8x1.25x45	14
9	7.010.049	R-WASHER	20
10	9.220.008	LOCK NUT M8	2
11	9.220.008	LOCKING FLANGE NUT M8	6
12	6.000.191	FOAM PADDING	1
13	9.220.010	LOCKING FLANGE NUT.M10	1
14	7.010.006	STEERING SHAFT BUSH	1
15	9.110.020	BOLT m10x1.25x20	1
16	7.020.045	RUBBER FOOT PLATE	4
17	6.000.135	HORN	2
18	9.108.014	FLANGE BOLT m8x1.25x14	2
19	7.010.045	CUSTOM BAR CAGE CAP	8
20	6.030.132	THROTTL CABLE COMP.	1
21	6.000.133	BRAKE CABLE COMP.	1
22	6.000.190	FOAM PADDING--30	2
23	9.108.050	BOLT m8x1.25x50	6
24	9.300.008	FLAT WASHER M8	2
25	9.400.008	LOCK WASHER M8	2

# STEERING COMPONENTS



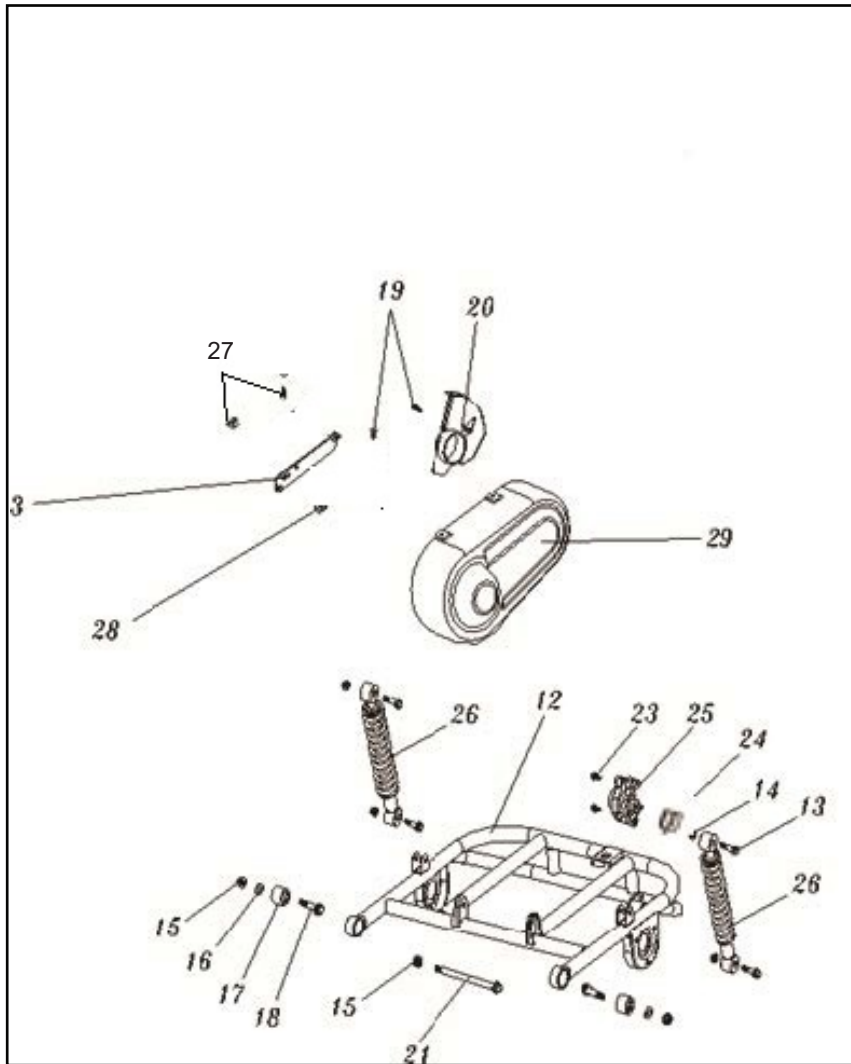
Ref Num	Part Num	Description	Qty	Ref Num	Part Num	Description	Qty
1	7.010.056	STEERING WHEEL COVER	1	21	8.040.010	THROTTLE PEDAL RETURN SPRING,L	1
2	9.220.006	LOCKING NYLON NUT M6	7	22	21-0610-01	THROTTLE PEDAL COMP	1
3	7.020.057	STEERING WHEEL	1	23	7.020.043	BRAKE PEDAL PAD	1
4	2.000.056	STEERING SHAFT	1	24	7.020.044	THROTTLE PEDAL PAD	1
5	9.106.016	BOLT,M6X16	3	25	7.020.059	STEERING BALL JOINT DUST COVER	2
6	14-1000-00	TIE ROD ASSY	2	26	9.129.816	ALLEN HEAD BOLT M8X1.25X16	1
7	6.000.180	STEERING BALL JOINT	2	27	9.500.007	ROLL PIN M3X16	2
8	8.010.135	TIE ROD	2	28	9.100.512	BOLT,M5X12	2
9	6.000.181	ROD END	2	29	4.000.024	STEERING GEAR	1
10	9.220.008	LOCK NUT M8	2	30			
11	9.106.020	FLANGE BOLT,M6X20	4	31			
12	9.100.512	BOLT,M5X12	2	32			
13	9.500.008	ROLL PIN Æ3X20	2	33	4.010.001	PLASTIC STEERING GEAR HOLDER	1
14	8.020.130	STEERING GEAR BRACKET	2	34	14-1002-00	KEY 4X4X12	1
15	9.220.012	LOCKING NUT M12	1	35			
16	8.020.144	PEDAL BRACKET	2	36	003-08033-00	Throttle Pedal Stop Bolt	1
17	8.010.103	PEDAL BOLT	1	37			
18	21-0633-01	BRAKE PEDAL COMP	1	38			
19	7.010.003	PEDAL BUSH	4	39	9.200.008	NUT M8	1
20	8.040.011	BRAKE PEDAL RETURN SPRING,R	1				

# FRONT SUSPENSION



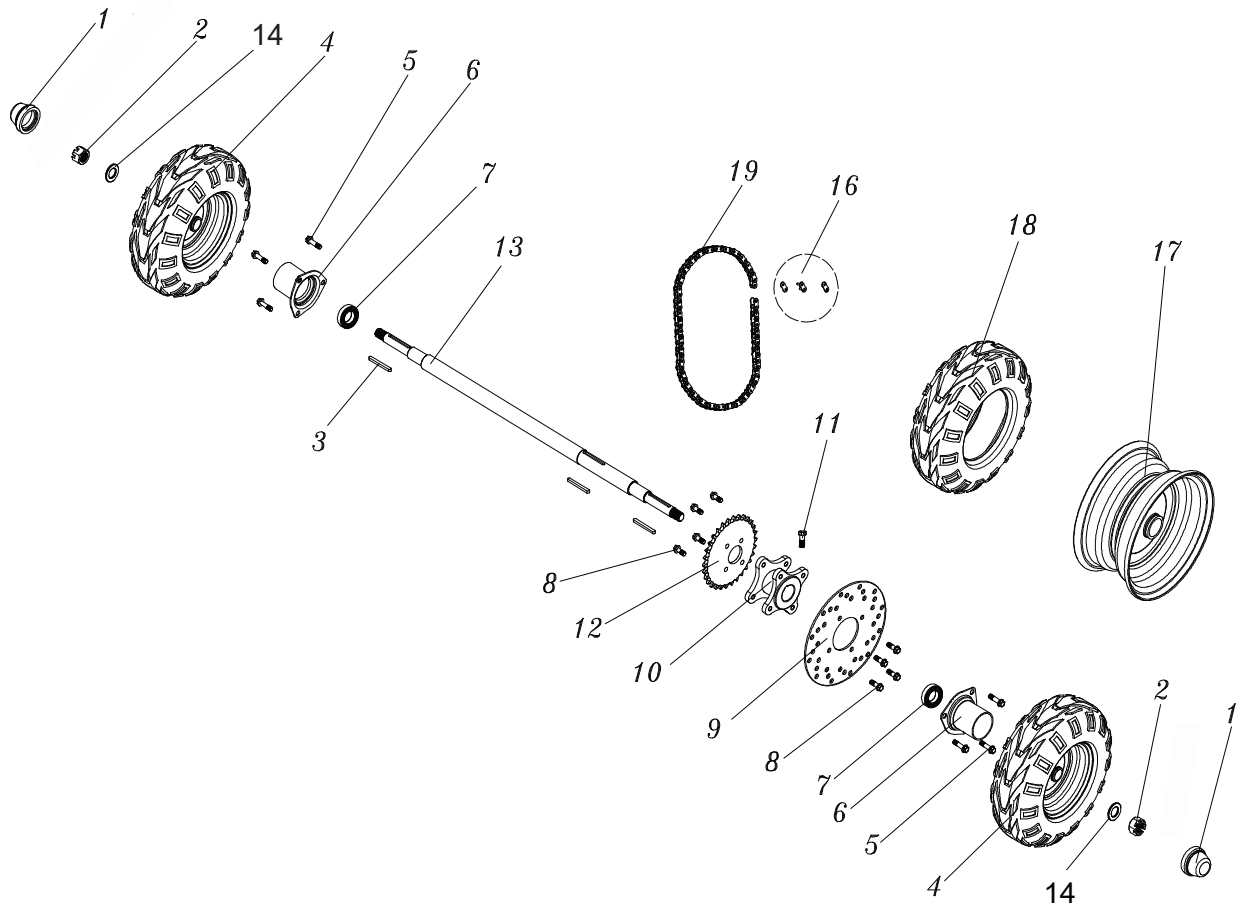
Ref Num	Part Num	Description	Qty
1	9.108.095	FLANGE BOLT M8X1.25X95	2
2	7.010.003	UPPER SUSPENSION ARM BUSH	8
3	8.010.104	UPPER SUSPENSION ARM COLLAR	2
4	4.000.020	UPPER SUSPENSION ARM	2
5	9.220.008	LOCKING FLANGE NUT M8	8
6	9.108.035	FLANGE BOLT M8X1.25X35	4
7	6.000.172	CUSHION ASS $\phi$ Y.FR	2
8	9.108.105	FLANGE BOLT M8X1.25X105	2
9	8.010.015	LOWER SUSPENSION ARM COLLAR	2
10	4.000.021	LOWER SUSPENSION ARM ASSY	2
11	2.000.031	SPINDLE AND STRUT SUPPORT, RIGHT	1
12	9.030.010	BEARING 6202	2
13	6.100.169	FRONT TIRE/WHEEL ASM. (black wheel)	2
14	9.030.009	BEARING 6201	2
15	9.800.012	CASTLE NUT M12	2
16	7.020.039	HUB COVER.FR	2
17	9.800.010	CASTLE NUT M10	4
18	6.000.182-BK	FRONT WHEEL (black)	2
19	001-133506-00	TIRE.FR 13x4.10-6	2
20	2.000.032	SPINDLE AND STRUT SUPPORT, LEFT	1
21	7.020.061	BALL HEAD DUST SEAL	4
22	7.190.018	AIR VALVE	2
23	9.500.002	COTTER PIN 2.5X30	2
24	9.500.220	COTTER PIN 2X25	4

# REAR SUSPENSION



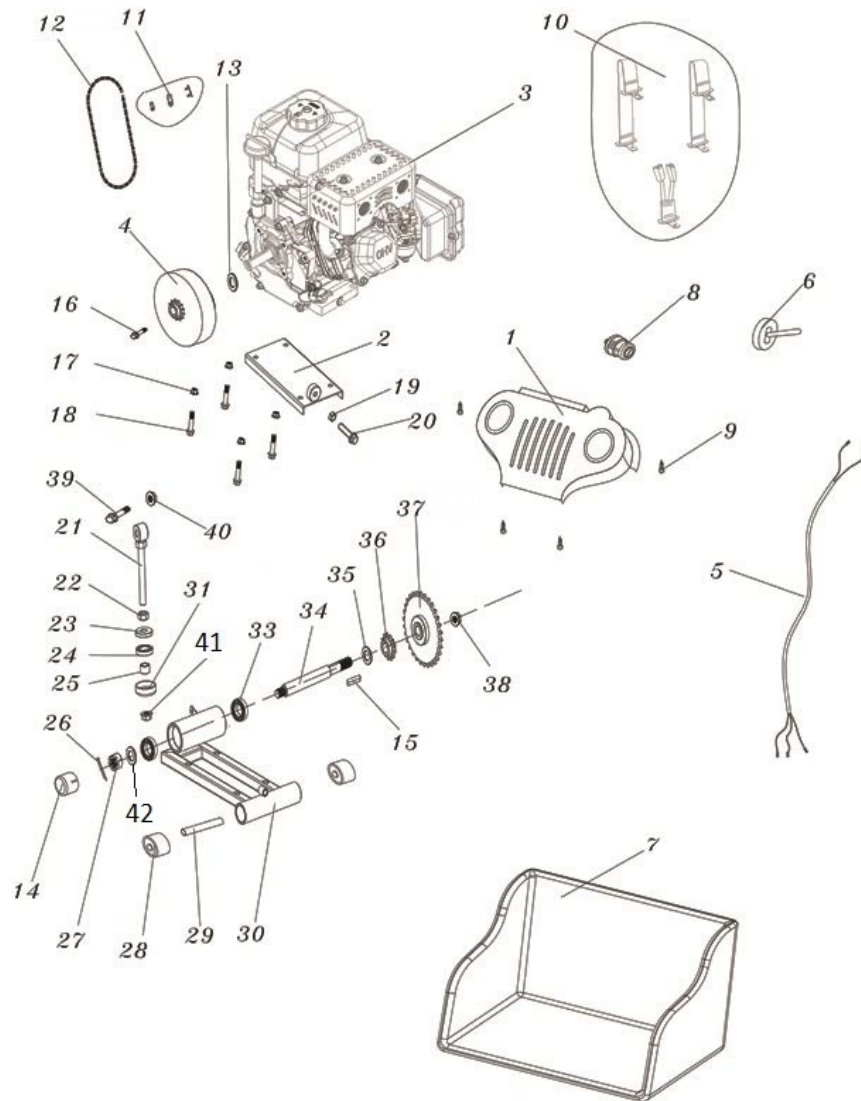
Ref Num	Part Num	Description	Qty
1			
2			
3	21-0627-00	CHAIN GUARD BRACKET	1
4			
5			
6			
7			
8			
9			
10			
11			
12	14-0602-00	REAR SWING ARM	1
13	9.108.035	FLANGE BOLT M8X1.25X35	4
14	9.220.008	LOCKING FLANGE NUT M8	4
15	9.220.010	LOCKING FLANGE NUT M10	3
16	003-10040-00	SEAT BELT COLLAR	2
17	7.020.056	REAR SWING ARM BUSH	2
18	9.110.050	FLANGE BOLT M10X1.25X50	2
19	003-050030-00	SCREW ST4.8X15	3
20	14-0207-00	CHAIN GUARD SECONDARY	1
21	14662	FLANGE BOLT M10X1.25X174	1
22			
23	9.106.016	FLANGE BOLT M6X16	2
24	7.020.060	BRAKE PAD SET. RR	1
25	21-1402-00	CALIPER ASSY. RR	1
26	6.000.173	CUSHION ASS'Y. RR	2
27	9.106.016	FLANGE BOLT M6X16	2
28	9.108.016	FLANGE BOLT M8X16	2
29	8.011.021	CHAIN GUARD	1
30			1

# REAR AXLE HOUSING



Ref Num	Part Num	Description	Qty
1	7.020.039	HUB COVER	2
2	9.220.014	LOCKING FLANGE NUT M14	2
3	8.010.138	AXLE KEY	3
4	6.000.170	REAR TIRE/WHEEL ASM. (black wheel)	2
5	9.108.016	FLANGE BOLT M8X1.25X16	6
6	6.000.196	AXLE COVER	2
7	9.030.002	BEARING 6204	2
8	9.106.016	FLANGE BOLT M6X16	8
9	8.010.098	DISC BRAKE RR	1
10	8.010.097	REAR AXLE SPROCKET/BRAKE ROTOR HUB	1
11	9.129.816	ALLEN HEAD BOLT M8X1.25X16	1
12	8.010.099	REAR SPROCKET	1
13	14-1101-00	REAR AXLE	1
14	9.300.014	FLAT WASHER 14	2
15	7.190.018	AIR VALVE	2
16	6.000.199	MASTER LINK	1
17	6.000.183	REAR WHEEL (black)	2
18	001-136005-00	TIRE,RR 13X5-6	2
19	9.070.004-S	DRIVE CHAIN	1

# ENGINE / ENGINE MOUNT / SEAT / ELECTRICAL



Ref Num	Part Num	Description	Qty	Ref Num	Part Num	Description	Qty
1	14-0205-00	SWITCH PANEL COVER	1	21	8.147.008	CHAIN ADJUSTER	1
2	14-0604-00	ENGINE MOUNTING PLATE	1	22	9.200.012	NUT M12X1.25	1
3	006-LCT136	ENGINE COMP. (50 state)	1	23	8.010.042	WASHER-CHAIN ADJUSTER	2
4	14-1102-00	CLUTCH with 12 tooth sprocket	1	24	7.020.001	SPACER-CHAIN ADJUSTER	1
5	21-0303-00	WIRE HARNESS	1	25	8.010.041	BUSHING-CHAIN ADJUSTER	1
6	20-0320-00	ON/OFF ENGINE TOGGLE SWITCH	1	26	9.500.002	COTTER PIN $\phi$ 2.5X30	1
7	6.000.176	SEAT COMP.	1	27	9.800.014	CASTLE NUT M14X1.5	1
8	6.000.165	POWER ON SWITCH (Key Switch)	1	28	7.020.056	ENGINE PLATE BUSHING	2
9	9.600.410	Self Tapping Screw 4.2x10	4	29	14-0503-00	COLLAR	1
10	6.000.179	SAFETY BELT	1	30	14-0605-00	ENGINE MOUNTING FRAME	1
11	6.100.324	MASTER LINK	1	31	8.020.045	BOTTOM CAP WASHER-CHAIN ADJUSTER	1
12	14-1103-01	DRIVE CHAIN (420x52L)	1	33	6.100.065	BEARING 6004	2
13	003-96850-00	Clutch Washer	1	34	14-1104-00	Shaft, Sprocket and Drive Pulley	1
14	14723	Rubber Cover	1	35	9.701.016-K	KEYWAY FLAT WASHER 16	1
15	14-1105-00	Rear Clutch Axle Key	1	36	008-13-06B	13 Teeth Sprocket	1
16		BOLT 5/16-24X1.75"	1	37	008-36-420	36 Teeth Sprocket	1
17	9.220.008	LOCKING FLANGE NUT M8	4	38	9.700.098	NYLON LOCK NUT M16	1
18	9.108.055	BOLT M8X55	4	39	9.110.045	BOLT M10X1.25X45	1
19	9.200.008	NUT M8	1	40	9.220.010	Nut M10	1
20	9.108.060	BOLT M8X60	1	41	9.220.012	LOCK NUT M12	1
				42	9.300.014	FLAT WASHER 14	1