



# 2020 Stingray

10th letter in VIN: L



## ILLUSTRATED PARTS BOOK

# TABLE OF CONTENTS

<b>SECTION 1 FRAME GROUP WARNING LABELS</b> .....	1
<b>SECTION 2 FRAME GROUP</b> .....	2
<b>SECTION 3 INTERIOR</b> .....	3
<b>SECTION 4 FRONT SUSPENSION</b> .....	4
<b>SECTION 5 STEERING ASSEMBLY</b> .....	5
<b>SECTION 6 REAR SWINGARM</b> .....	6
<b>SECTION 7 JACKSHAFT</b> .....	7
<b>SECTION 8 REAR AXLE</b> .....	8
<b>208cc Engine Breakdown</b> .....	9-10

# SECTION 1 FRAME GROUP WARNING


**⚠ WARNING**

**ALWAYS WEAR SEATBELT**  
 Seatbelt must be properly fastened and adjusted for each occupant prior to operating the vehicle; See Owner's Manual. 11330-I



**⚠ WARNING**

**EXHAUST GAS HARMFUL**  
 Engine exhaust from this product contains chemicals, known in certain quantities to cause cancer, birth defects, or other reproductive harm. 11330-N



**⚠ WARNING**

**ENTANGLEMENT HAZARD**  
 Shoulder length and longer hair or loose clothing can get caught in moving parts behind or below the seat. **Restrain hair at or above shoulder level. Restrained hair must not interfere with the proper fit of the helmet. Securely restrain anything loose that reaches behind or below the seat.** 11330-B



**⚠ WARNING**

**HOT SURFACES**  
 Surfaces around the engine and exhaust can be extremely hot. Allow surfaces to cool before servicing. 11330-A



**⚠ WARNING**

**Under 13 Age**  
 This vehicle is not to be operated by anyone under 13 years of age. A speed reduction kit is available for this vehicle. 11330-T



**⚠ WARNING**

**OBSERVE THE FOLLOWING INSTRUCTIONS**  
 Failure to understand and follow Warnings and Instructions for the safe use and maintenance of this product may result in **Death or Injury!** This information is contained in the Warning Labels, Owner's Manual & Supplements, Safety Video, and Engine Manual supplied with this product. Make sure that you understand and follow all Warnings and Instructions in this material.

- Read owner/operator manuals carefully.
- Adult supervision required.
- Always wear a D.O.T.-approved motorcycle helmet, eye protection, and protective clothing.
- Do NOT operate the vehicle without the brush bars securely in place.
- Keep all covers and shields properly installed.
- Throttle, Stop Switch, and Brake Controls must work properly and freely before starting the engine.
- Operator must be seated, safety belt must be fastened, and brake applied before operating the vehicle.
- Not legal for street use. Use only on flat, level, off-road terrain.
- Not designed for racing or commercial use.
- Never operate at speeds too fast for your skills or the conditions.
- Never attempt jumps or other stunts.
- Never ride after consuming alcohol, drugs, or other intoxicants.

If you did not receive any of the material listed above, please call **1-800-643-7332** and request to have them sent to you at no charge. 11330-J

**⚠ WARNING**

**CHECK TIRE PRESSURES**  
 Improper inflation of tires can cause loss of control, resulting in serious injury or death. Refer to Owner's Manual for proper operating pressure. 11330-D



**⚠ WARNING**

**NO RIDING**  
 All occupants must be inside the vehicle and wearing the proper restraints and safety gear. **Absolutely no riding on the outside of the vehicle or on the cargo rack.** 11330-K



**⚠ WARNING**

**WEAR A HELMET**  
 Always wear a D.O.T.-approved motorcycle helmet when operating this vehicle. 11329



**⚠ WARNING**

**GUARD MUST BE IN PLACE**  
 This guard must be in place during engine operation. Keep hands, feet, and loose garments away from engine, chain, and drive components.

**⚠ CAUTION**

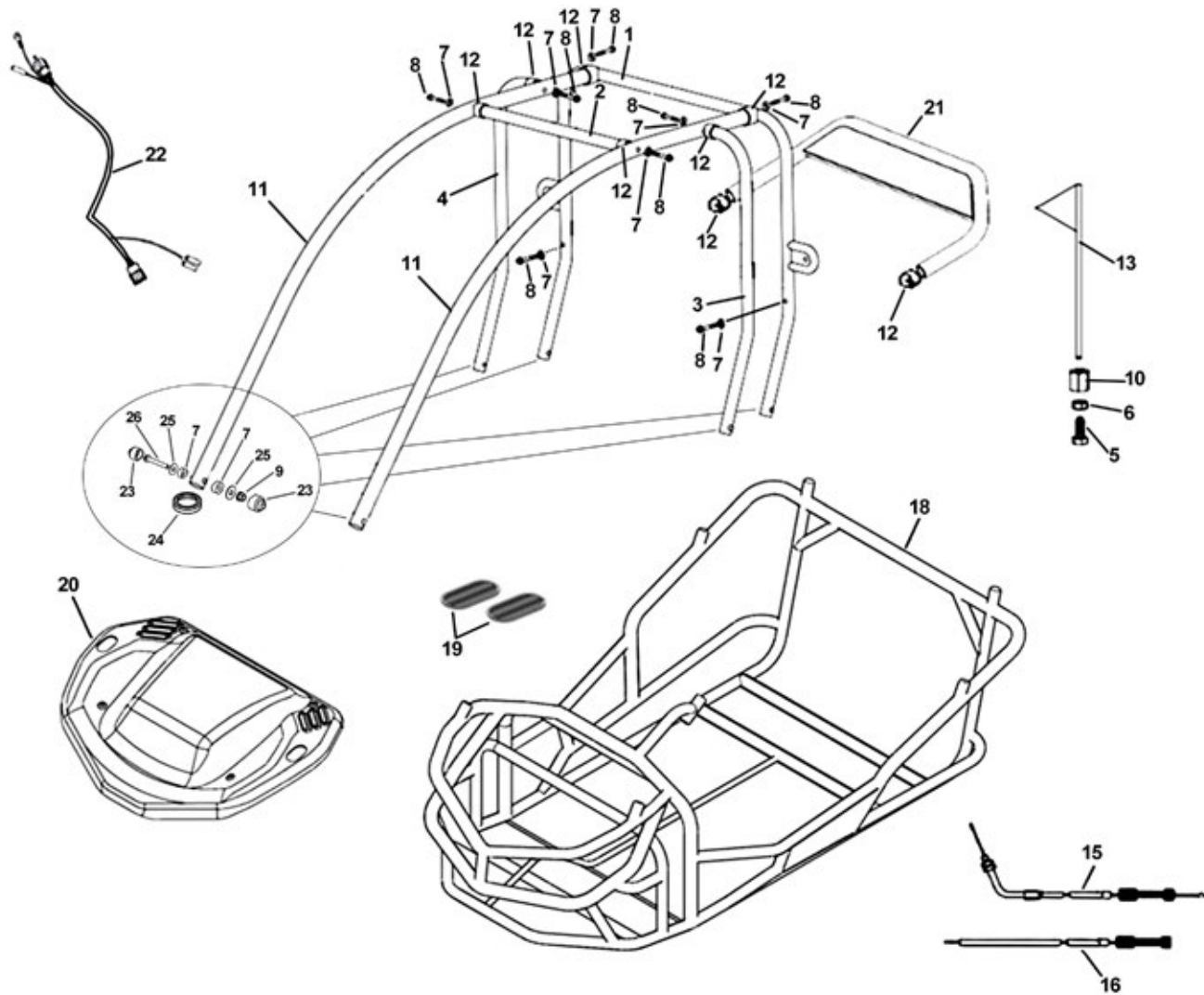
**DO NOT PUT FOOT ON DRIVE COVER** 11330-C

**⚠ WARNING**

**PINCH HAZARD**  
 Exercise caution when working on drive components. Drive chain turns when vehicle is in motion. **Chock wheels before removing drive cover.** Never remove drive cover or attempt to service with engine running. 11330-R



# SECTION 2 FRAME GROUP



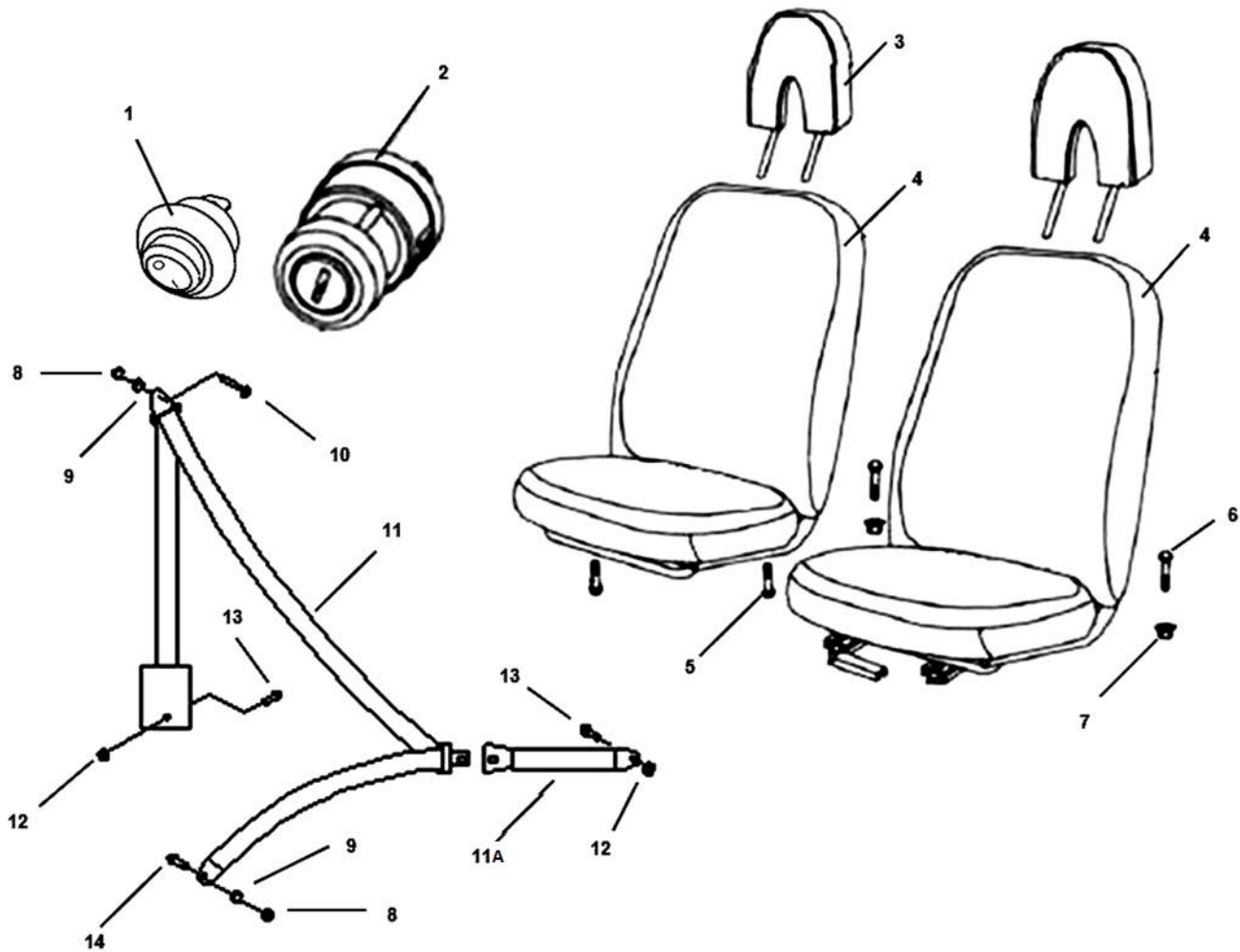
Ref #	Part #	Description	Qty
1	15470	BAR, REAR C PILLAR	1
2	15471	BAR, OH CROSS	1
3	15472	BAR, LH B PILLAR	1
4	15473	BAR, RH B PILLAR	1
5	14465	BOLT, M12 X 1.75 X 30 FLAG MOUNT	1
6	14492	NUT, M12 X 1.25 HEX ZN	1
7	7.010.049	WASHER, CONCAVE CLAMP DAC	20
8	9.108.050	BOLT, M8 X 1.25 X 50 FHCS DAC	8
9	9.220.008	NUT, M8 X 1.25 LOCKING FLANGE ZN	6
10	14466	NUT, 1.75 THREAD DECORATIVE PLSTC FLG MNT	1
11	15474	BAR, OH FRONT	2
12	7.110.016	ENDCAP, BAR - 28 BLACK PLASTIC	8
13	N/A		1
14			

Ref #	Part #	Description	Qty
15	15476	CABLE, THROTTLE	1
16	15477	CABLE, CHOKE	1
17			
18	N/A		1
19	7.020.012	PAD, RUBBER FOOT	2
20	15478	HOOD	1
20a	003-060015-00	SCREW, M6 X 1.0 X 16 BUTTON HEAD SOCKET SS	4
21	15479	SPOILER	1
22	15480	HARNESS, MAIN WIRING	1
23	15113	COVER, BOLT CAP	20
24	15546	SEAL, BAR CONNECTION - 1.125"	6
25	15114	WASHER, BAR CONNECTION M8 X 24 X 1.25	20
26	9.108.055	BOLT, M8 X 1.25 X 55 FHCS DAC	6

NOTE: parts denoted as left or right hand are from driver's point of view.



# SECTION 3 INTERIOR

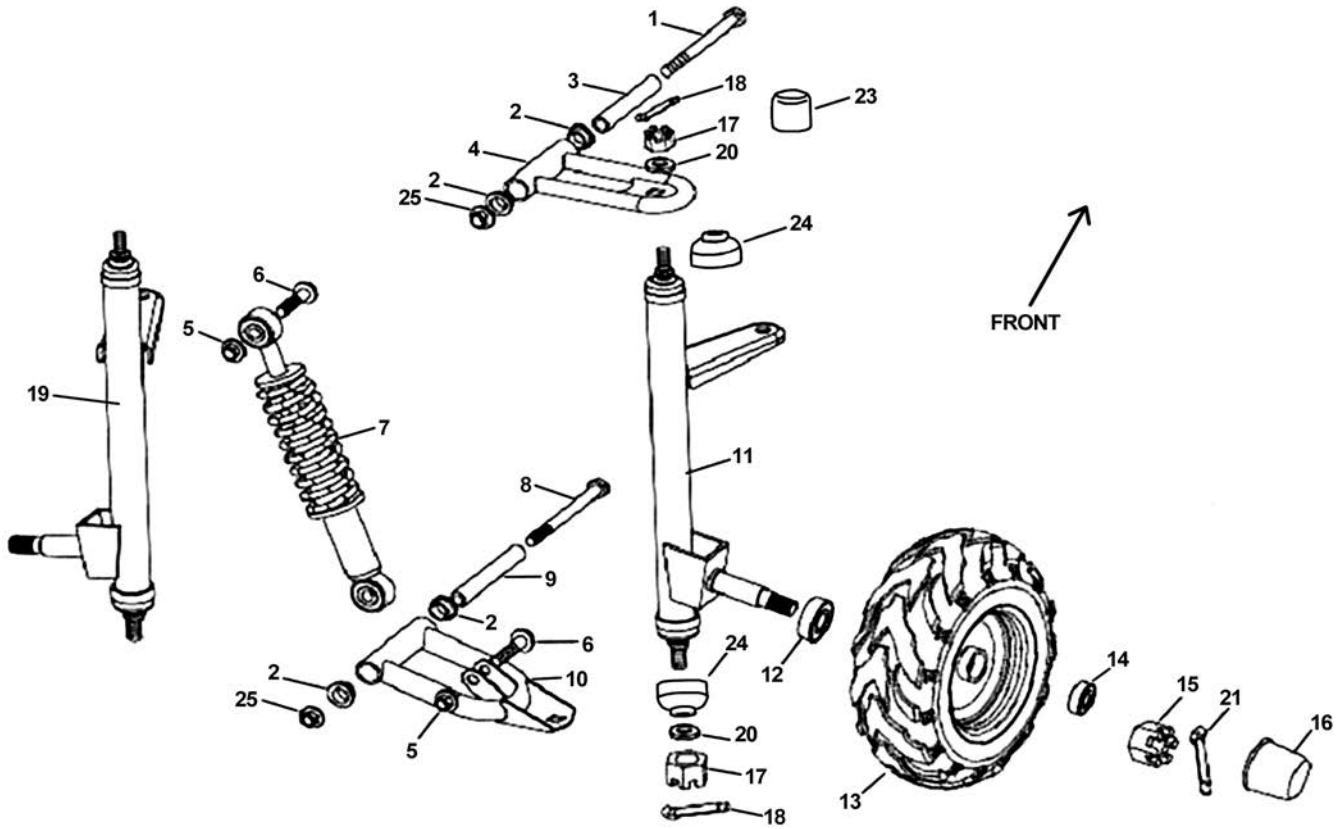


Ref #	Part #	Description	Qty
1	20-0320-00	SWITCH, ENGINE STOP ROCKER (15271)	1
2	20-0301-00	IGNITION SWITCH W/KEY (15482)	1
3	6.000.329	HEADREST (15371)	2
4	6.000.331	ASM, SEAT W/SLIDES - DRIVER (15369)	1
4	6.000.330	ASM, SEAT W/ NO SLIDES - PASS (15370)	1
5	9.108.040	BOLT, M8 X 1.25 X 40 HHCS DAC	2
6	9.908.840	BOLT, M8 X 1.25 X 40 "T" STYLE DAC (15483)	2
7	9.220.008	NUT, M8 X 1.25 LOCKING FLANGE DAC (14088)	2

Ref #	Part #	Description	Qty
8	9.700.003	NUT, M12 X 1.25 LOCKING FLANGE DAC	4
9	9.700.002	SPACER, M12 STEPPED SEAT BELT DAC	4
10	9.700.001	BOLT, M12 X 1.25 X 25 FHCS DAC	2
11	14786	RETRACTABLE SEATBELT	2
11A	15-0406-00	SEATBELT BUCKLE	2
12	9.700.003	NUT, M12 X 1.25 LOCKING FLANGE DAC	3
13	9.700.001	BOLT, M12 X 1.25 X 25 FHCS DAC	3
14	9.700.001	BOLT, M12 X 1.25 X 25 FHCS DAC	2

NOTE: parts denoted as left or right hand are from driver's point of view.

# SECTION 4 FRONT SUSPENSION

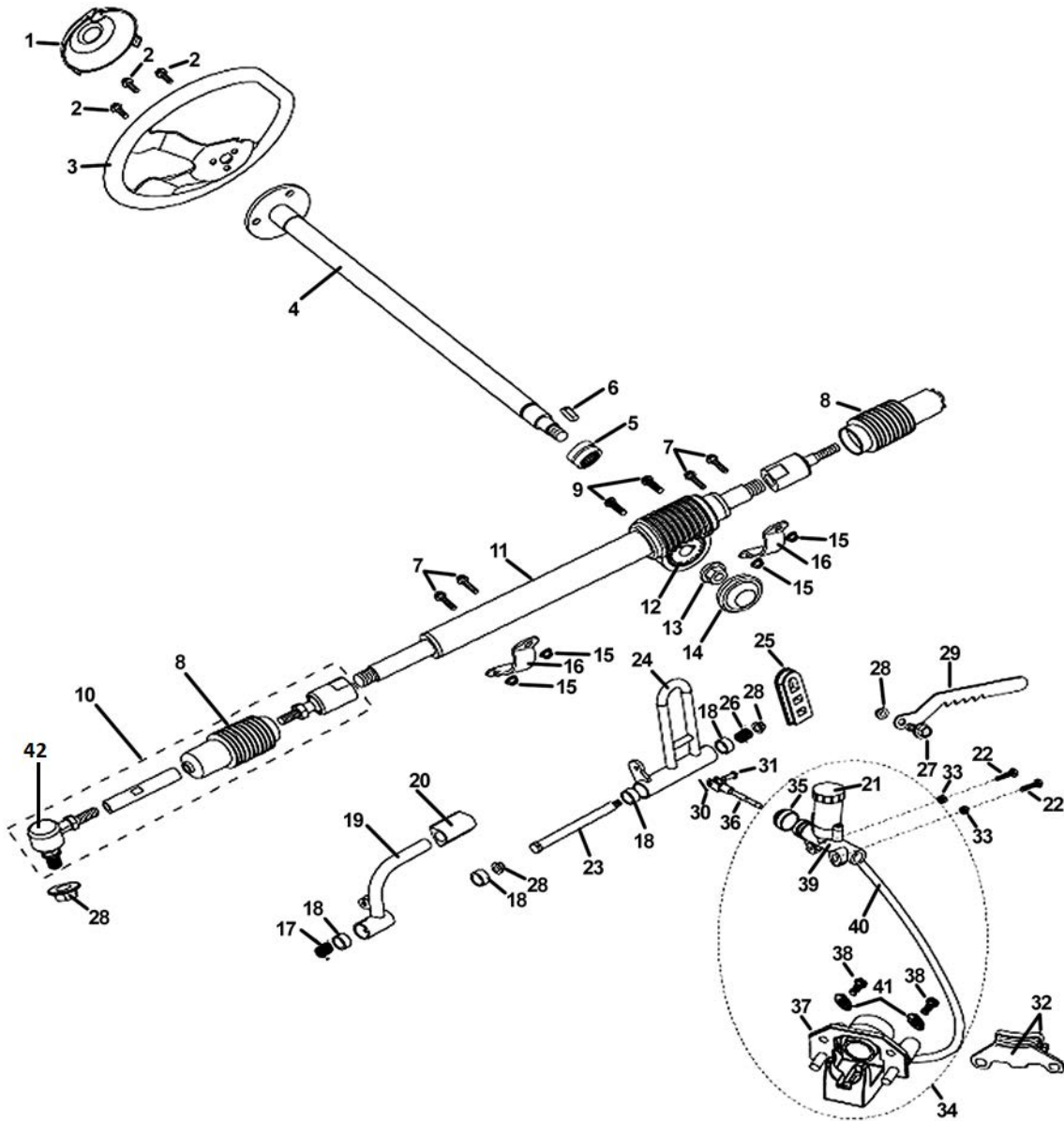


Ref #	Part #	Description	Qty
1	9.108.095	BOLT, M8 X 1.25 X 95 FLANGE	2
2	7.010.003	BUSHING, FLANGED SLEEVE 12 X 16 X 12	8
3	8.010.104	UPPER SUSPENSION ARM COLLAR, 75MM	2
4	4.000.020	UPPER SUSPENSION ARM - BLACK (14618-2)	2
5	9.220.010	NUT, M10 X 1.25 LOCKING FLANGE ZN	4
6	9.110.040	BOLT, M10 X 1.25 X 40 FHCS ZN	4
7	14793	SHOCK, FRONT - RED & BLACK	2
8	9.108.105	BOLT, M8 X 1.25 X 105	2
9	8.010.015	LOWER SUSPENSION ARM COLLAR, 85MM	2
10	14622-2	LOWER SUSPENSION ARM ASSY - BLACK	2
11	14623-2	SPINDLE AND STRUT SUPPORT, R - BLK	1
12	9.030.001	BEARING 6003	2
13	15367	ASM, TIRE/WH RH 16X6-8	1
13	15368	ASM, TIRE/WH LH 16X6-8 (not shown)	1

Ref #	Part #	Description	Qty
13a	6.000.311	TIRE, 16 X 6 - 8 FAR EAST "V" TREAD (not shown)	2
13b	6.000.310-BK	8" STEEL WHEEL BLACK (not shown)	2
14	9.030.009	BEARING 6201	2
15	9.800.012	NUT, M12 X 1.25 CASTLE ZN	2
16	7.020.039	HUB COVER, FRONT 36MM ID	2
17	9.800.010	NUT, M10 X 1.25 CASTLE	4
18	15542	PIN, M2.5 X 25 COTTER	4
19	14629-2	SPINDLE AND STRUT SUPPORT, L - BLK	1
20	14241	WASHER, M10 SPLIT LOCK ZN	4
21	15542	PIN, M2.5 X 25 COTTER	2
22			
23	14923	CAP, NUT COVER RUB - BLK	2
24	7.020.061	SEAL, BALL JOINT	4
25	9.220.008	NUT, M8 X 1.25 LOCKING FLANGE ZN	4

NOTE: parts denoted as left or right hand are from driver's point of view.

# SECTION 5 STEERING ASSEMBLY

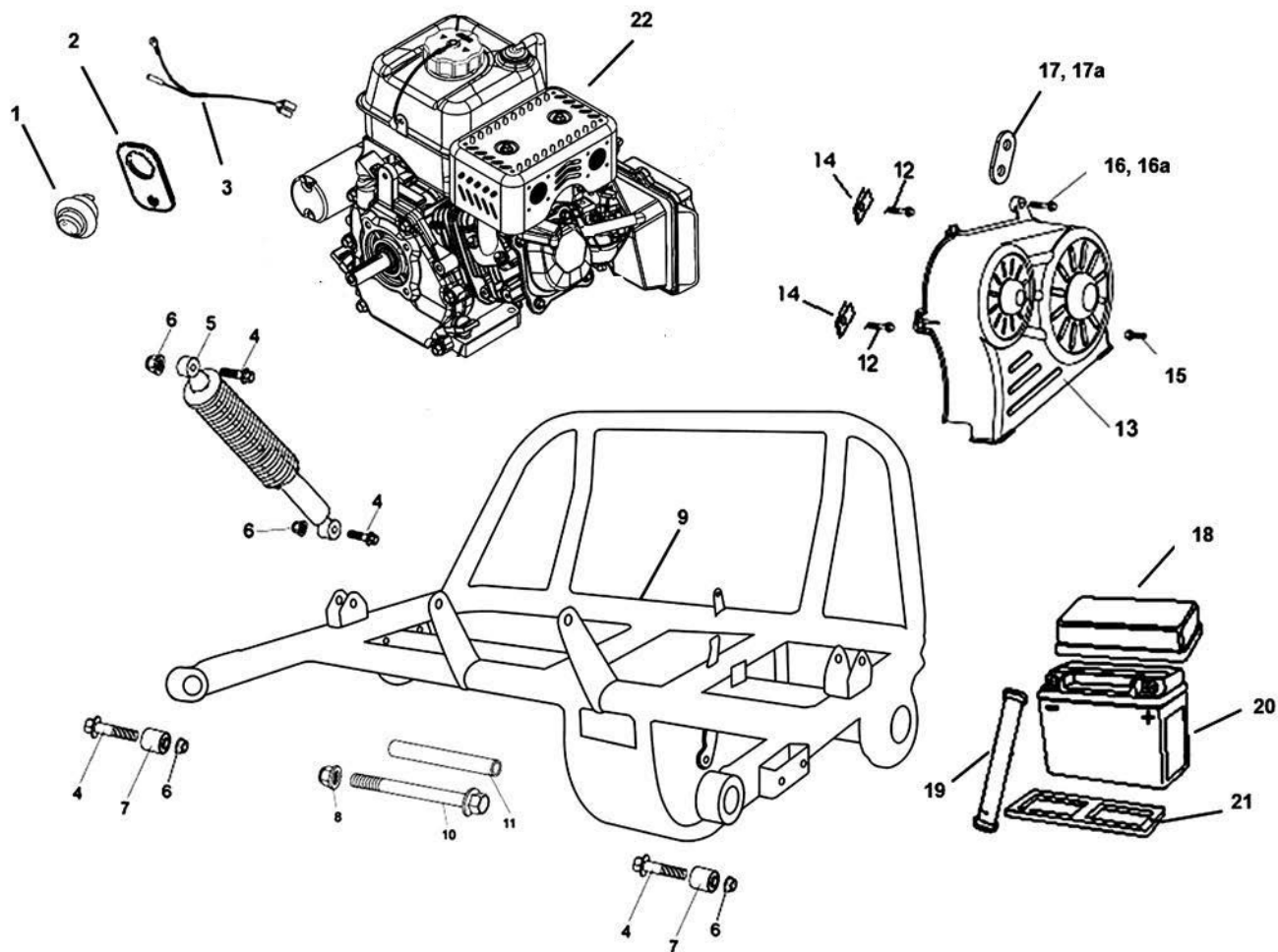


Ref #	Part #	Description	Qty
1	7.010.056	COVER, STEERING WHEEL	1
2	9.106.014	BOLT, M6 X 1.00 X 14 FHCS ZN	3
3	7.020.057	STEERING WHEEL	1
4	2.000.056	SHAFT, STEERING - BLACK	1
5	7.010.006	BUSHING, NYLON - 18 X 16	1
6	8.010.203	KEY, 4 X 4 X 11.5 (14635)	1
7	9.106.20	BOLT, M6 X 1.00 X 20 FHCS ZN	4
8	7.020.059	STEERING BALL JOINT DUST COVER	2
9	9.100.512	SCREW, M5 X 12 PH (14565)	2
10	14637	ASM, TIE ROD END - BLACK	2
11	14638	ASM, RACK & PINION	1
12	4.010.001	PLASTIC STEERING GEAR HOLDER	1
13	9.220.010	NUT, M10 X 1.25 LOCKING FLANGE ZN	1
14	7.020.082	DUST COVER (14641)	1
15	9.220.006	NUT, M6 X 1.00 NYLOC FLANGE ZN	4
16	8.020.130	STEERING GEAR BRACKET (R.S.B.) - BLACK (14642-2)	2
17	14643	SPRING, THROTTLE PEDAL	1
18	14119	BUSHING, SLEEVE 12 X 21 X 12	4
19	14645-2	PEDAL, THROTTLE BLACK	1
20	14526	CAP, THROTTLE PEDAL - 31X/41X/61X	1
21	6.000.305-C	CAP, BRAKE MASTER CYLINDER (14646)	1

Ref #	Part #	Description	Qty
22	9.106.025	BOLT, M6 X 1.0 X 25 ZN	2
23	14648	BOLT, M8 X 1.25 X 144 HHCS	1
24	4.000.044-T	PEDAL, BRAKE - BLACK (14649-2)	1
25	7.020.043	PAD, BRAKE PEDAL - BLACK	1
26	14651	SPRING, BRAKE PEDAL	1
27	14239	BOLT, M8 X 1.25 X 20 FHCS ZN	1
28	9.220.008	NUT, M8 X 1.25 LOCKING FLANGE ZN	3
29	14652	LEVER, PARKING BRAKE	1
30	14628	PIN, M1.6 X 14 COTTER	1
31	6.000.308	STUD, 6 X 16	1
32	7.020.016	KIT, BRAKE PAD (14654)	1
33	9.220.006	NUT, M6 X 1.00 NYLOC FLANGE ZN	2
34	14655	ASM, HYDRAULIC BRAKE	1
35	7.020.076	BOOT, BRAKE (14656)	1
36	6.000.306	SHAFT, BRAKE MASTER CYLINDER (14657)	1
37	6.000.028	ASM, BRAKE CALIPER (includes brake pads)(14658)	1
38	9.908.014	BOLT, M8 X 1.25 X 14 SHCS PL	2
39	6.000.305	MASTER CYLINDER, BRAKE (RESERVOIR AND CAP INCLUDED)	1
40	6.000.091	HOSE, HYD BRAKE - 75"	1
41	9.400.008	WASHER, M8 SPLIT LOCK	2
42	6.0000.181	ROD END	2

NOTE: parts denoted as left or right hand are from driver's point of view.

# SECTION 6 REAR SWING ARM



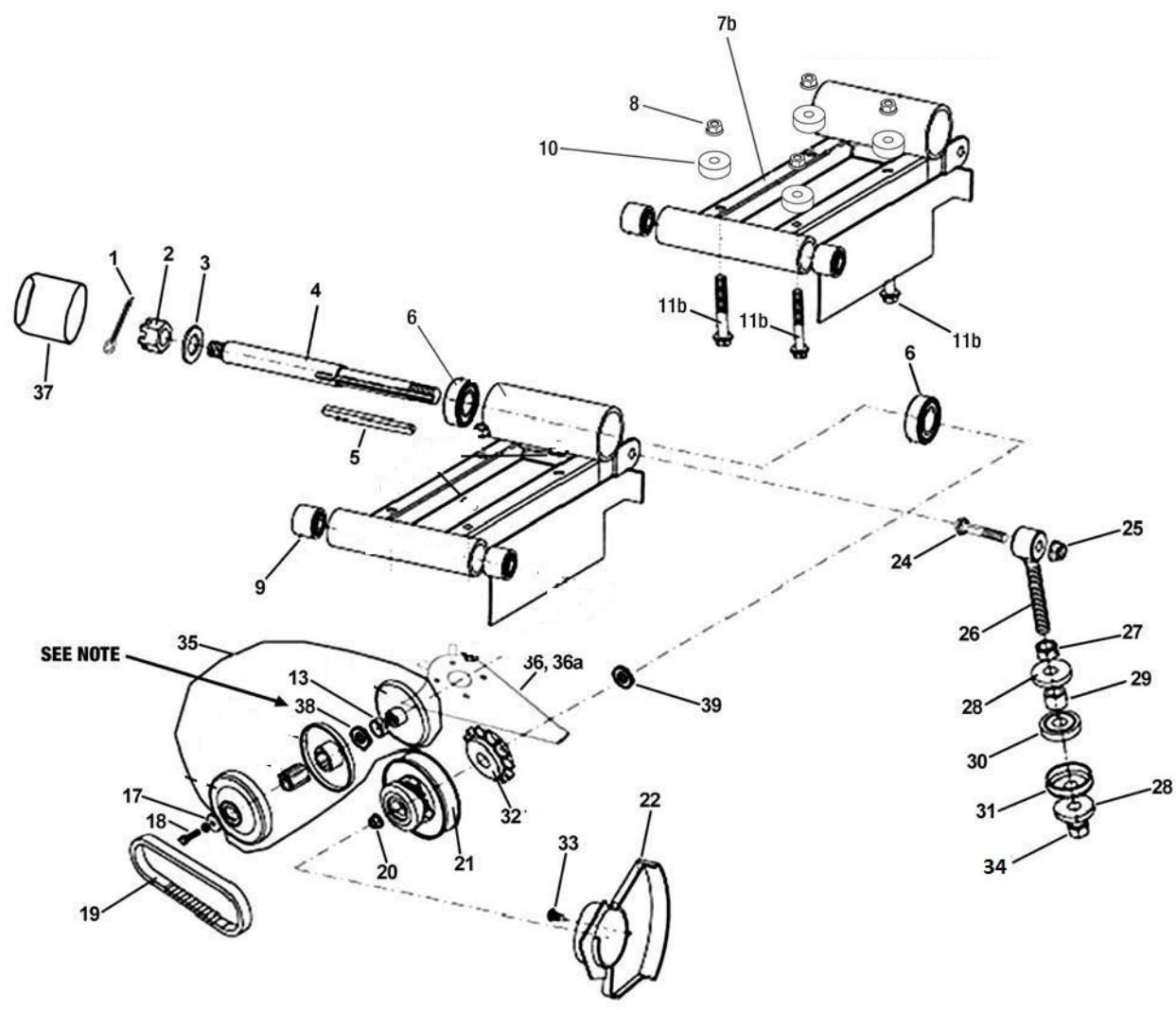
Ref #	Part #	Description	Qty
1	20826001	SWITCH, ENGINE STOP ROCKER	1
2	15424	PLATE, MTG - ENGINE STOP SWITCH	1
3	15490	HARNESS, ENGINE STOP SWITCH	1
4	9.110.040	BOLT, M10 X 1.25 X 40 FHCS ZN	6
5	6.000.322	SHOCK, REAR - RED & BLACK	2
6	9.220.010	NUT, M10 X 1.25 LOCKING FLANGE ZN	6
7	7.020.056	BUSHING, SWINGARM ISOLATOR (14661)	2
8	9.220.010	NUT, M10 X 1.25 LOCKING FLANGE ZN	1
9	15489	ASM, REAR SWINGARM 20-0626-00	1
10	14662	BOLT, M10 X 1.25 X 174 HHCS	1
11	14666	COLLAR	1
12	9.106.014	BOLT, M6 X 1.00 X 14 FHCS DAC	2
13	8.110.021	COVER, DRIVE - PLASTIC (15054)	1
14	14892	NUT, 1/4-20 CLIP NUT	2
15	14778	SCREW, M4 X 1.75 X 12 PH	1
16	9.106.020	BOLT, M6 X 1.00 X 20 FHCS	1

Ref #	Part #	Description	Qty
16a	9.220.006	NUT, M6 X 1.00 NYLOC (not shown)	1
17	15390	BRKT, BELT COVER	1
17a	9.106.014	BOLT, M6 X 1.00 X 14 FHCS DAC	1
18	7.010.028	COVER, BATTERY	1
19	7.020.023	STRAP, BATTERY HOLD DOWN	1
20	6.000.055	BATTERY - YTX9A-BS	1
21	7.020.020	CUSHION, BATTERY	1
22	006-LCT208	ENGINE, LCT 208CC 50 STATE	1

NOTE: parts denoted as left or right hand are from driver's point of view.



# SECTION 7 JACKSHAFT

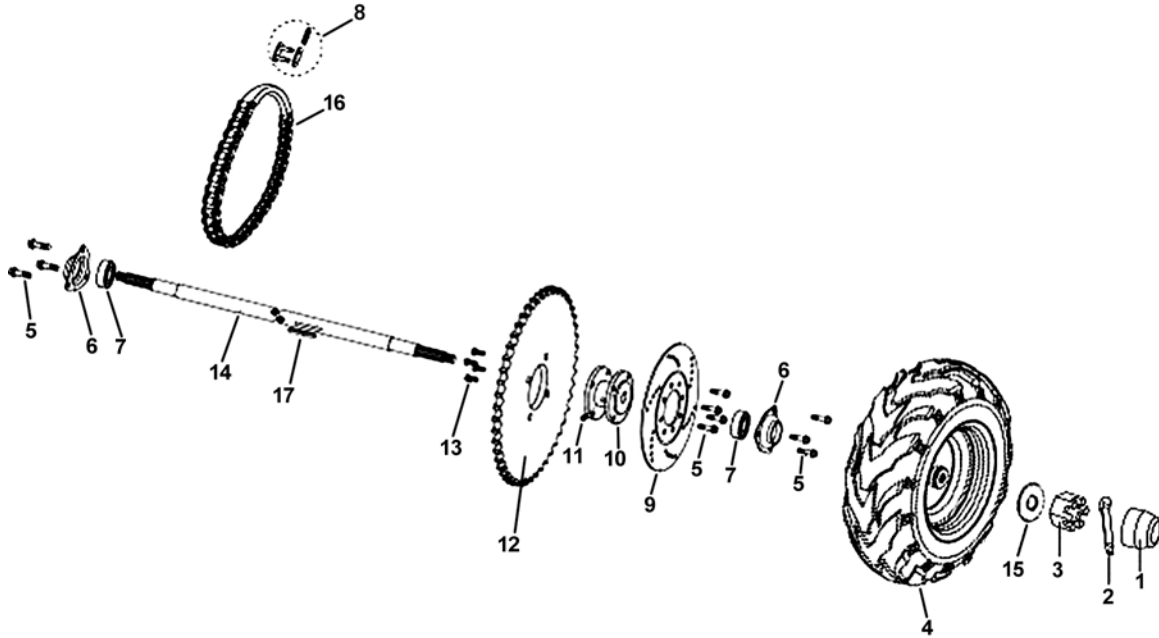


Ref#	Part#	Description	Qty
1	15542	PIN, M2.5 X 25 COTTER	1
2	9.800.014	NUT, M14 X 1.25 CASTLE	1
3	9.300.014	WASHER, M14 ZN	1
4	8.011.057-N	SHAFT, SPROCKET & DRIVEN PULLEY	1
5	8.010.027	KEY	1
6	6.100.065	BEARING	2
7b	20-0604-00	ENGINE MOUNTING PLATE	1
8	9.220.008	NUT, M8 X 1.25 LOCKING FLANGE ZN	4
9	7.020.056	BUSHING	2
10	15768	SPACER, STEEL 30 OD x 8.5 ID x 11 L	4
11b	9.108.075	BOLT, M8 X 1.25 X 75 FHCS	4
12			
13	AJKDC-02	BUSHING	1
14			
15			
16			
17	9.500.009	WASHER, M8	1
18	1454	BOLT 5/16-24 X 1.750 HHCS G5	1
19	9.110.018	Belt, 30S - 720mm OC	1

Ref#	Part#	Description	Qty
20	9.700.098	NUT, M16 X 1.25 LOCKING FLANGE	1
21	9.500.001	REAR DRIVEN PULLEY	1
22	15061	GUARD, REAR CHAIN (black plastic)	1
23			
24	9.110.040	BOLT, M10 X 1.25 X 40 FHCS ZN	1
25	9.110.010	NUT, M10 X 1.25 LOCKING FLANGE ZN	1
26	8.147.008	CHAIN ADJUSTER	1
27	9.200.012	NUT, M12	2
28	8.010.042	WASHER - CHAIN ADJUSTER	2
29	8.010.041	SPACER, ENGINE ADJ ALIGNMENT	1
30	7.020.001	BUSHING, ENGINE ADJ ISOLATOR	1
31	8.020.045	SPACER, ENGINE ADJ CUP	1
32	8.011.077-R	SPROCKET, 9T DRIVEN (15564)	1
33	14423	SCREW, M5 X 16 PHSM ZN	1
34	9.220.012	LOCK FLANGE NUT, M12	1
35	9.500.010	FRONT CLUTCH	1
36	20-0603-00	PLATE, BACK (WITH TABS)	1
36a	9101	BOLT 5/16-24 X .500 HHCS G5 NL Z (not shown)	2
37	14723	CAP, JACKSHAFT 2 IN	1
38*	15464	SPACER, TORQUE CONV. DRIVER 30 SERIES	1
38**	14838	WASHER, FLAT 0.75 X 1.050 X 0.115 HT ZN	1
39	9.701.016	WASHER, 29.5 X 17MM X 3.0	1

**NOTE:** parts denoted as left or right hand are from driver's point of view.

# SECTION 8 REAR AXLE



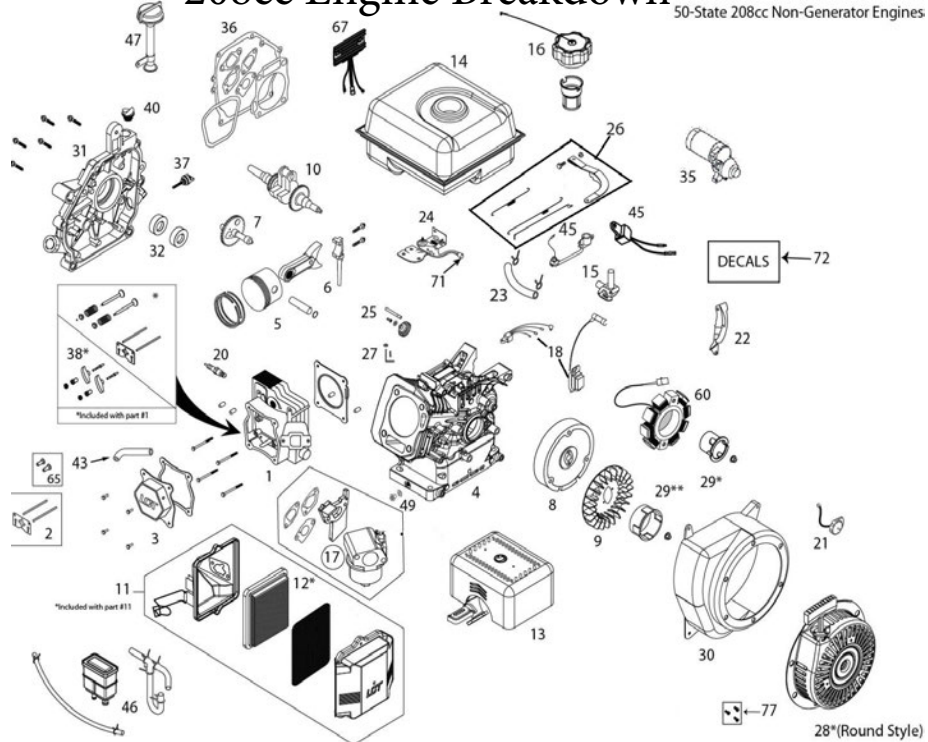
Ref #	Part #	Description	Qty
1	7.020.039	CAP, HUB NOSE - BLACK	2
2	9.500.440	COTTER PIN 3.2 X 40	2
3	9.800.016	NUT, M16 X 1.5 CASTLE	2
4	15365	ASM, TIRE/WH RH - 18X9.5-8	1
4	15366	ASM, TIRE/WH LH - 18X9.5-8	1
4a	14752	TIRE, 18 X 9.5 - 8 V-TREAD (15487) (not shown)	2
4b	6.000.333-BK	8" STEEL WHEEL, BLACK (not shown)	2
5	9.108.016	BOLT, M8 X 1.25 X 16 FHCS ZN	10
6	8.020.028	FLANGE BEARING	2
7	9.030.018	BEARING 6005Z	2
8	6.100.324	MASTER LINK	1
9	14670	DISK, REAR BRAKE - 150CC	1
10	14671	SPACER, SPROCKET	1
11	9.129.816	BOLT, SET M8 X 1.25 X 16 SHCS PL	1

Ref #	Part #	Description	Qty
12	14672	SPROCKET, 60 TOOTH	1
13	9.108.016	BOLT, M8 X 1.25 X 16 FHCS ZN	4
14	15488	AXLE (15488)	1
15	9.300.016	WASHER, M16	2
16	7.160.016	CHAIN (#420 1/2" pitch)(14675)	1
17	14676	KEY, 5 X 5 X 75	1

NOTE: parts denoted as left or right hand are from driver's point of view.

# 208cc Engine Breakdown

50-State 208cc Non-Generator Engines



**PLMHK14650124EBCJKPQTUVX235E1M**

Ref#	CPC #	Description
1	20810001	Cylinder Head Assembly
2	20810011	Push Rod Kit (208cc)(incl. valve cover gskt)
3	20845011	Valve Cover (208cc)
4	20813061	Cylinder (Gen II- No Low Oil Sensor)(208cc)
5	20814001	Piston Assembly
6	20815001	Connecting Rod Assembly
7	20816001	Camshaft System Assembly
8	20804151	Flywheel Electric Start (60-Watt) (208cc)
9	20840001	Cooling Fan- Flywheel
10	20818001	Crankshaft Assembly-Keyed
11	20820021	Air Filter Assembly Of Paper
12	20820121	Pleated Paper Air Filter (Ref #41 incl.)
13	20821001	Muffler Assembly
14	20822191	Fuel Tank (2.7L)(Black- W/Reg Mtg-Stant Cap)
15	20822211	1/4 Fuel Petcock (Non-Generator)
16	20822131	Fuel Tank Cap-Black Stant w/chain
17	20824051	Carburetor - incl spacer-choke-gaskets
18	20825701	Ignition Coil (Integrated CDI 208cc)(Summer W/Metal Shield)
20	20838101	Spark Plug
21	20826001	On/Off Switch
22	20824051	Carburetor (L03-1)(Remote Choke 208cc)
23	20860001	Fuel Hose Kit
24	20828201	Throttle Control (Remote w/Spring)
25	20829001	Governor Gear Assembly
26	20830001	Governor Link Assembly with Governor Springs (Summer) (20830021)
27	20831001	Governor Arm Shaft Assembly

28	20832002	Recoil Starter Assy(Round-Black)
29	20833002	Starter Cup (Non-Slotted)
30	20834201	Blower Housing (Black)(Es Wo/Switch Hole- W/Finger Guard)
31	20836001	Crankcase Cover Assy-High Oil-Fill Tube (Threaded)
32	20839001	Oil Seal Kit (2 Pcs)
34		
35	20880501	12V Electric Starter (208cc) with Starter Relay
36	20843001	Gasket Kit
37	20837111	Small Black Dipstick
38	20811001	Rocker Arm Assembly
39	NA	
40	20837051	Non-Removable Plug
43	20845101	Breather Tube (136/208cc)
46	20890041	Carbon Canister Kit
49	20899111	Oil Drain Plug Kit
60	20804141	60-Watt Charging Coil
65	20810051	Tappet Kit (order gasket seperately)
67	20880001	Regulator/Rectifier (Use W/60-Watt Alt)(208cc)
68	20821301	Remote Choke Bracket (208cc)
70		
72	20850001	Maxx Series Decal Kit
77	99991	Recoil Bolt Kit