



2015-2016 MUDHEAD 208R

10th letter in VIN: F-G



Illustrated Parts Manual

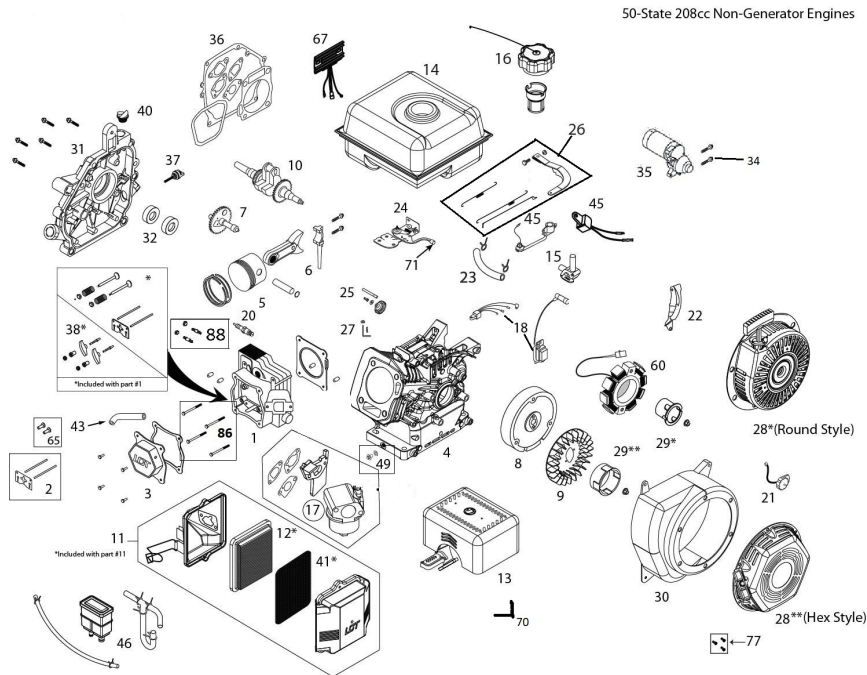


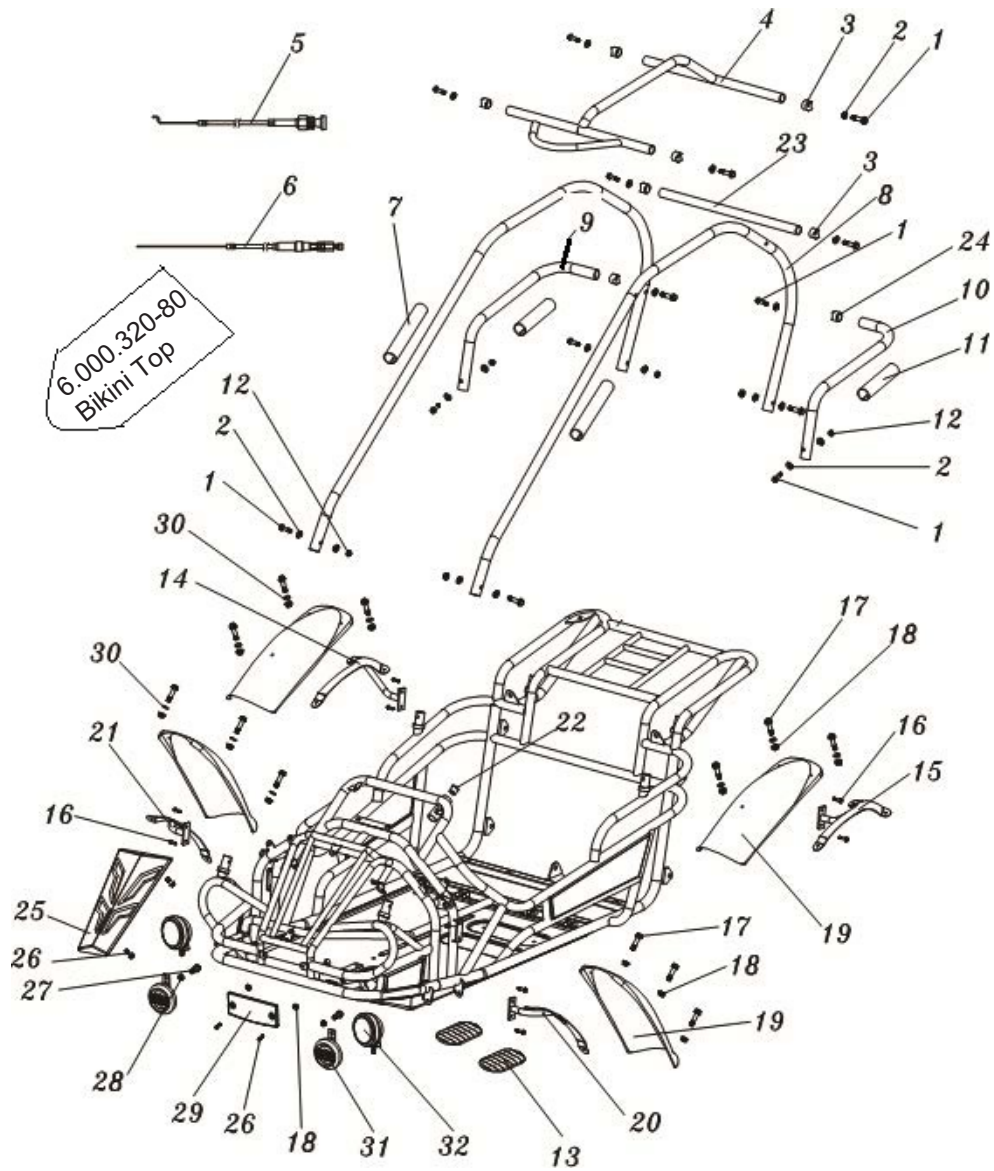
ILLUSTRATION FOR REFERENCE PURPOSES ONLY

PLMHK14650124EBCJKPQTUVX235E1M

Ref#	CPC #	Description
1	20810001	Cylinder Head Assembly
2	20810011	Push Rod Kit (208cc)(incl. valve cover gskt)
3	20845011	Valve Cover (208cc)
4	20813061	Cylinder (Gen II- No Low Oil Sensor)(208cc)
5	20814001	Piston Assembly
6	20815001	Connecting Rod Assembly
7	20816001	Camshaft System Assembly
8	20804151	Flywheel Electric Start (60-Watt) (208cc)
9	20840001	Cooling Fan- Flywheel
10	20818001	Crankshaft Assembly-Keyed
11	20820021	Air Filter Assembly Of Paper
12	20820121	Pleated Paper Air Filter (Ref #41 incl.)
13	20821001	Muffler Assembly
14	20822191	Fuel Tank (2.7L)(Black- W/Reg Mtg-Stant Cap)
15	20822211	1/4 Fuel Petcock (Non-Generator)
16	20822131	Fuel Tank Cap-Black Stant w/chain
17	20824051	Carburetor - incl spacer-choke-gaskets
18	20825701	Ignition Coil (Integrated CDI 208cc)(Summer W/Metal Shield)
20	20838101	Spark Plug
21	20826001	On/Off Switch
22	20824051	Carburetor (L03-1)(Remote Choke 208cc)
23	20860001	Fuel Hose Kit
24	20828201	Throttle Control (Remote w/Spring)
25	20829001	Governor Gear Assembly
26	20830001	Governor Link Assembly with Governor Springs (Summer) (20830021)
27	20831001	Governor Arm Shaft Assembly

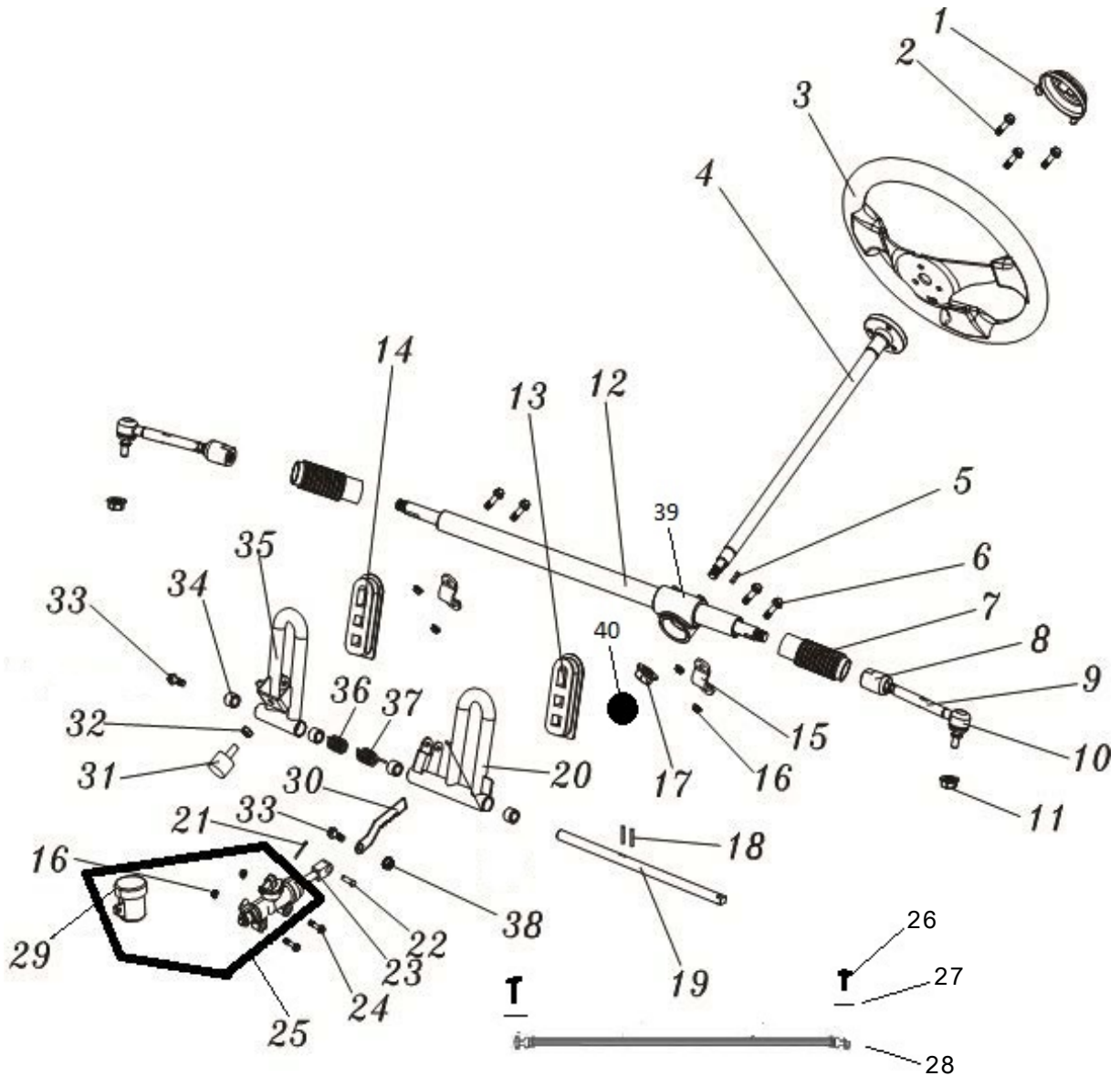
28	20832002	Recoil Starter Assy(Round-Black)
29	20833002	Starter Cup (Non-Slotted)
30	20834201	Blower Housing (Black)(Es Wo/Switch Hole- W/Finger Guard)
31	20836001	Crankcase Cover Assy-High Oil-Fill Tube (Threaded)
32	20839001	Oil Seal Kit (2 Pcs)
34	9.106.030	Flange Bolt m6x30 (for starter motor, qty. 2 needed)
35	20880501	12V Electric Starter (208cc) with Starter Relay
36	20843001	Gasket Kit
37	20837111	Small Black Dipstick
38	20811001	Rocker Arm Assembly
39	NA	
40	20837051	Non-Removable Plug
43	20845101	Breather Tube (136/208cc)
46	20890041	Carbon Canister Kit
49	20899111	Oil Drain Plug Kit
60	20804141	60-Watt Charging Coil
65	20810051	Tappet Kit (order gasket seperately)
67	20880001	Regulator/Rectifier (Use W/60-Watt Alt)(208cc)
68	20821301	Remote Choke Bracket (208cc)
70	20843050	Muffler Support Bracket
72		
77	99991	Recoil Bolt Kit
Service Engine: Stock		

FRAME COMPONENTS



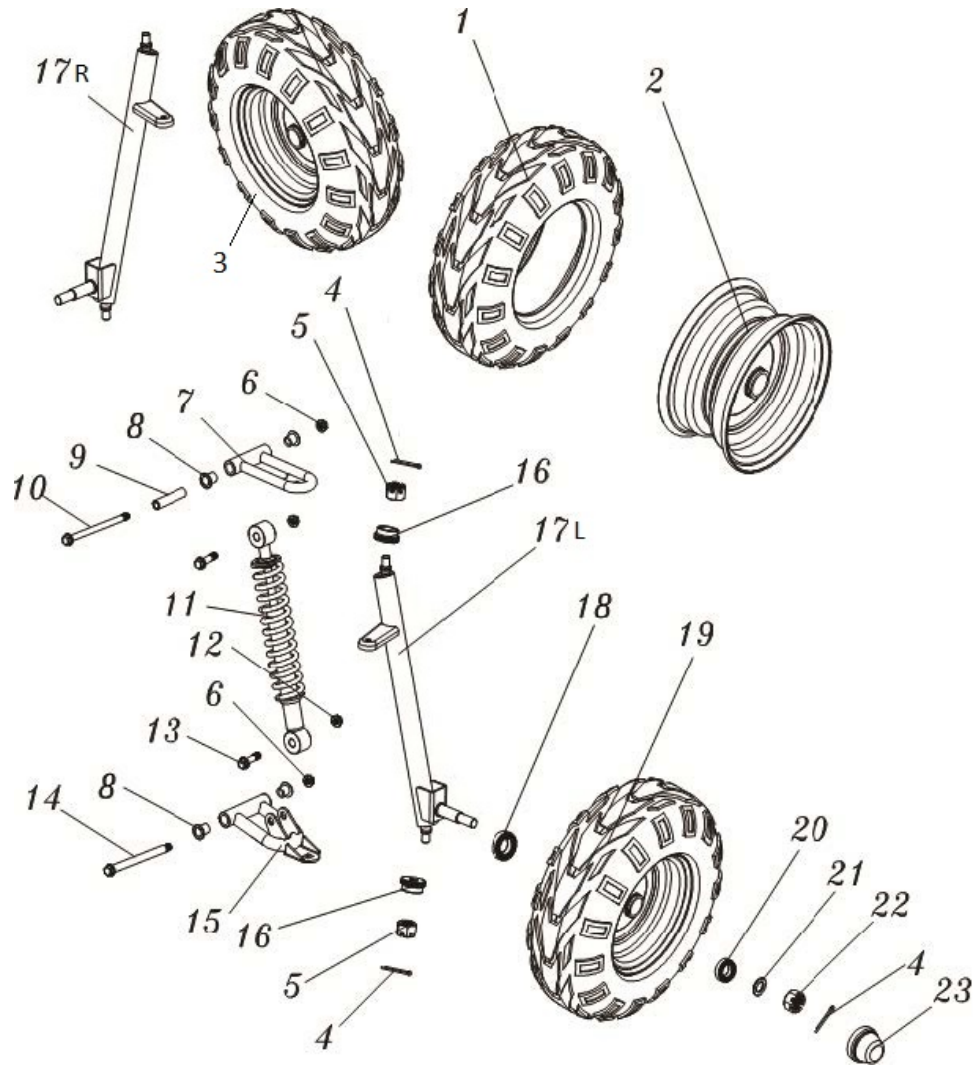
REF#	PART NUMBER	DESCRIPTION	COUNT	REF#	PART NUMBER	DESCRIPTION	COUNT
1	9.108.050	BOLT M8X1.25X50	14	17	9.106.014	BOLT M6X14 STAINLESS	12
2	7.010.049	METAL R-WASHER	20	18	9.220.006	M6 NUT	12
3	7.010.017	TUBE SEAT 25	6	19	7.010.034-SS	FENDER	4
4	6.160.300-	CROSS BAR TOP (-color needed)	1	20	20-0625-00L	FENDER BRACKET (FL)	1
5	20-0705-00	CHOKE CABLE	1	21	20-0625-00R	FENDER BRACKET (FR)	1
6	20-0704-00	THROTTLE CABLE	1	22	7.010.006	STEERING SHAFT BUSHING	1
7	7.020.111	FOAM PADDING	2	23	8.080.078-	CROSS BAR REAR (-color needed)	1
8	8.170.054-	LONG BAR (-color needed)	2	24	7.110.016	TUBE SEAT 28	2
9	8.170.056-	Right Side Bar (-color needed)	1	25	9.131.192	DECORATING PLATE TOP	1
10	8.170.055-	LEFT SIDE BAR (-color needed)	1	26	9.106.020	BOLT M6X20	4
11	6.000.189	FOAM PADDING SHORT	2	27	9.106.012	FLANGE BOLT M6X12	2
12	9.220.008	MUT, M8	6	28	9.220.006	NUT M6	2
13	7.020.012	RUBBER FOOT PLATE	2	29	8.147.162	DECORATING PLAGE BOTTOM	1
14	20-0601-00R	FENDER BRACKET (RR)	1	30	9.300.006	M6 FLAT WASHER	12
15	20-0601-00L	FENDER BRACKET (RL)	1	31	6.000.174	HORN	2
16	9.106.016	BOLT M6X16	8	32	20-0206-00	MUDHEAD HEADLIGHT	2

STEERING ASSEMBLY



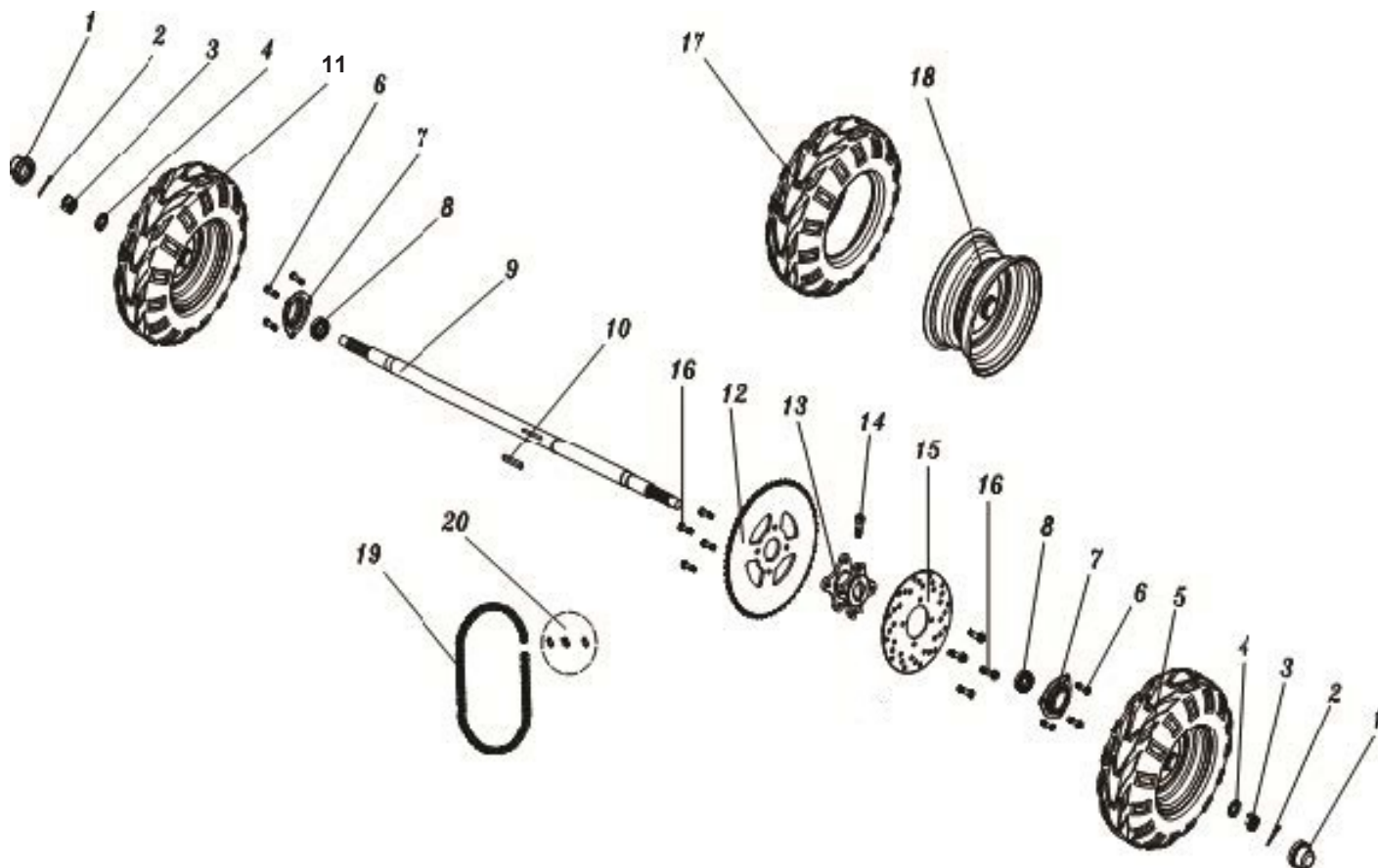
REF #	PART NUMBER	DESCRIPTION	COUNT	REF #	PART NUMBER	DESCRIPTION	COUNT
1	7.010.056	STEERING WHEEL COVER	1	20	4.000.044-T	BRAKE PEDAL COMP.	1
2	9.106.016	FLANGE BOLT M6X16	4	21	9.500.218	COTTER PIN	1
3	7.020.057	STEERING WHEEL	1	22	6.000.308	LOCKING ROLL PIN	1
4	2.000.056	STEERING SHAFT	1	23	6.000.306	SHAFT, BRAKE MASTER CYLINDER	1
5	8.010.203	KEY, 4X4X11.5	1	24	9.106.025	BOLT, M6X25	2
6	9.106.020	BOLT, M6X1.00X20	4	25	6.000.305	BRAKE CYLINDER	1
7	7.020.059	STEERING BALL JOIN DUST COVER	2	26	9.700.004	BANJO BOLT 10	2
8	6.000.180	STEERING BALL JOIN	2	27	13-1422-00	COPPER CRUSH WASHER 10	4
9	8.010.135-M	TIE ROD	2	28	6.000.091	BRAKE HOSE	1
10	6.000.181	ROD END	2	29	6.000.305-C	MASTER CYLINDER RESERVOIR CAP	1
11	9.220.008	LOCKING NUT M8	2	30	14652	PARKING BRAKE ARM	1
12	4.100.024	STEERING GEAR	1	31	003-08033-00	GAS PEDAL LIMIT BOLT	1
13	7.020.043	BRAKE PEDAL	1	32	9.200.008	M8 NUT	1
14	7.020.044	THROTTLE PEDAL	1	33	9.908.014	ALLEN BOLT M8X14	1
15	8.020.130	STEERING GEAR BRACKET	2	34	7.010.003	PEDAL BUSHING	4
16	9.220.006	LOCKING NUT M6	4	35	9.500.218-T	THROTTLE PEDAL ASSEMBLY	1
17	9.220.012	LOCKING FLANGE NUT M12	1	36	8.040.010	THROTTLE PEDAL RETURN SPRING	1
18	9.500.008	ROLL PIN	3	37	8.040.011	BRAKE PEDAL RETURN SPRING	1
19	8.010.123-R	PEDAL BOLT	1	38	9.220.008	NUT, M8X1.25 LOCKING FLANGE	1
				39	4.010.001	Plastic Steering Gear Holder	1
				40	7.020.082	Steering gear Holder Cover/Cap	1

FRONT SUSPENSION



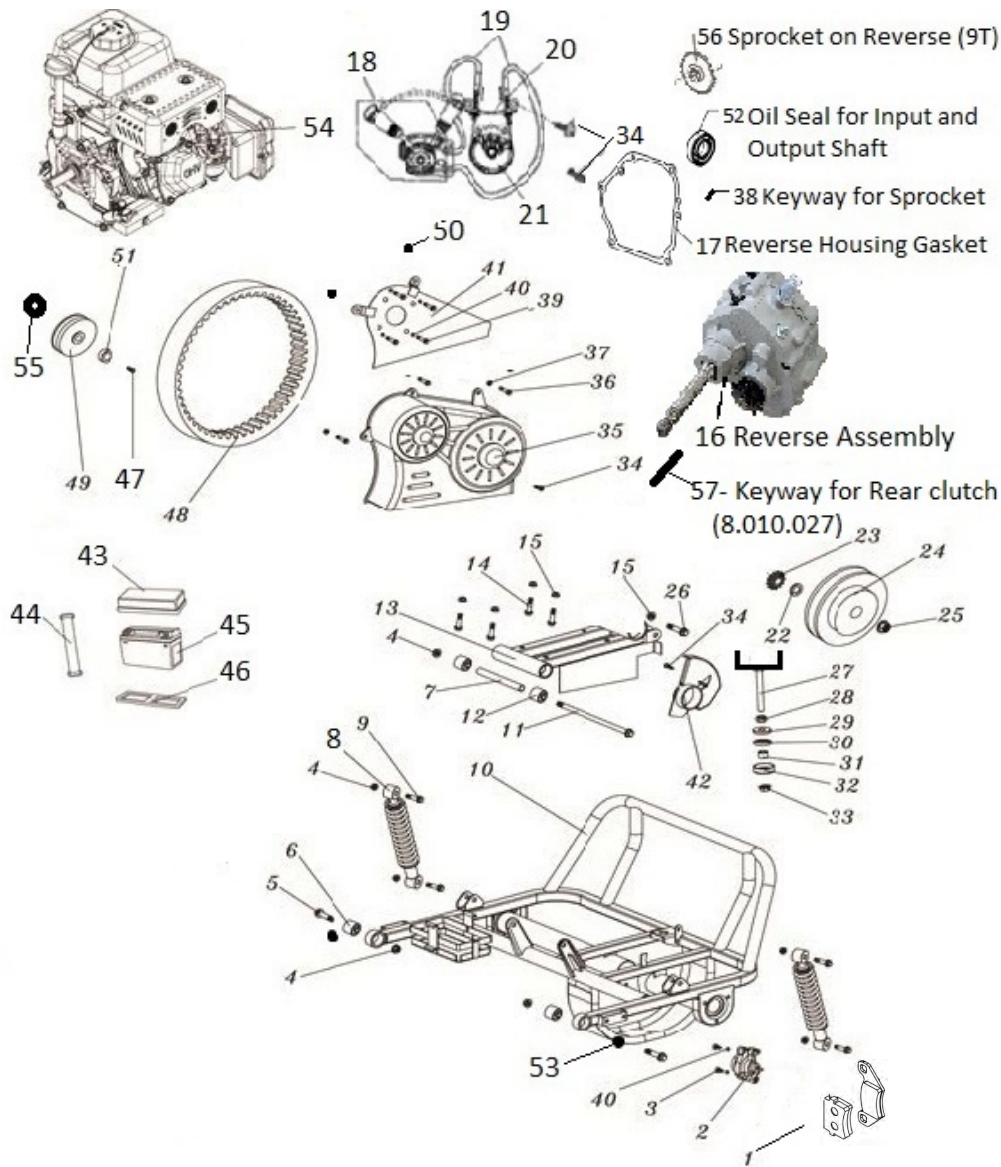
REF #	PART NUMBER	DESCRIPTION	COUNT
1	6.000.311	TIRE 16X6-8	2
2	6.000.310-BK	8" FRONT RIM (BLACK)	2
3	6.000.321	RIGHT FRONT TIRE/WHEEL ASSEMBLY	1
4	9.500.200	COTTER PIN	6
5	9.800.010	CASTLE NUT M10	4
6	9.220.008	LOCKING FLANGE NUT, M8	4
7	4.000.047	UPPER SUSPENSION ARM	2
8	7.010.003	UPPER SUSPENSION ARM BUSHING	8
9	8.010.104	UPPER SUSPENSION ARM COLLAR	2
10	9.108.095	FLANGE BOLT M8X1.25X95	2
11	6.100.325	FRONT SHOCK	2
12	9.220.010	LOCKING FLANGE NUT, M10	4
13	9.110.040	FLANGE BOLT M10X40	4
14	9.708.145	FLANGE BOLT M8X1.25X145	2
15	4.000.041	LOWER SUSPENSION ARM ASSY	2
16	7.020.061	BALL HEAD DUST SEAL	2
17L	2.000.057-80	SPINDLE (L)	1
17R	2.000.055-80	SPINDLE (R)	1
18	9.030.010	BEARING 6202	2
19	6.000.309	LEFT FRONT TIRE/WHEEL ASSEMBLY	1
20	9.030.009	BEARING 6201	2
21	9.300.012	WASHER	2
22	9.800.012	Castle Nut M12	2
23	7.020.039	HUB COVER FRONT	2

REAR HOUSING



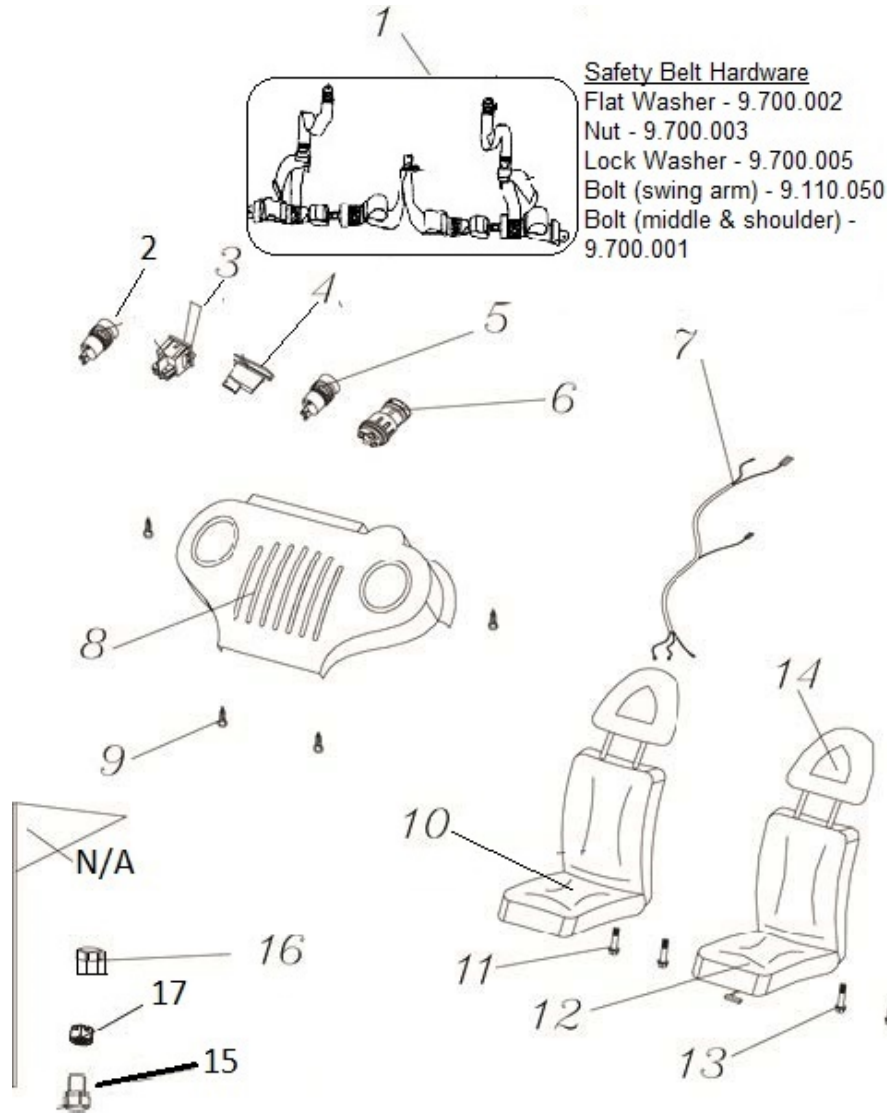
REF#	PART NUMBER	DESCRIPTION	COUNT
1	7.020.039	HUB COVER, RR	2
2	9.500.330	COTTER PIN	2
3	9.800.016	M16X1.5 CASTLE NUT	2
4	9.300.016	WASHER	2
5	6.000.316	LEFT REAR TIRE/ WHEEL ASSEMBLY	1
6	9.108.016	FLANGE BOLT M8X1.25.X16	6
7	6.000.195	AXLE COVER	2
8	9.030.018	BEARING 6005	2
9	20-1101-00	REAR AXLE	1
10	8.010.138	AXLE HUB KEYWAY	1
11	6.000.315	RIGHT REAR TIRE/WHEEL ASSEMBLY	1
12	23-1109-00	REAR SPROCKET (45T)	1
13	8.010.202-M	REAR AXLE SPROCKET/DISC HUB	1
14	9.129.816	ALLEN HEAD BOLT M8X1.25X10	1
15	8.010.201	BRAKE DISC, RR	1
16	9.108.020	FLANGE BOLT M8X20	8
17	7.020.078	REAR TIRE (16X7-8)	2
18	6.000.333-BK	8" REAR RIM (black)	2
19	23-1103-00	CHAIN (420)	1
20	6.100.324	MASTER LINK	1

ENGINE / SWING ARM / CLUTCH



REF #	PART NUMBER	DESCRIPTION	COUNT	REF #	PART NUMBER	DESCRIPTION	COUNT
1	7.020.016	REAR BRAKE PAD	1	28	9.200.012	NUT, M12	1
2	6.000.028	REAR BRAKE CALIPER	1	29	8.010.042	WASHER, CHAIN ADJUSTER	1
3	9.908.014	ALLEN BOLT M8X1.25X14	2	30	7.020.001	BUSHING, CHAIN ADJUSTER	1
4	9.220.010	NUT, M10X1.25 LOCKING FLANGE	8	31	8.010.041	CAP WASHER, CHAIN ADJUSTER	1
5	9.110.050	BOLT, M10X1.25X50	2	32	8.020.045	BOTTOM CAP WASHER - CHAIN ADJUST	1
6	7.020.056	SWINGARM BUSHING	2	33	9.220.012	NUT, M12	1
7	14666	COLLAR	1	34	9.106.014	BOLT, M6X1.00X14	2
8	6.000.322	REAR SHOCK	2	35	8.110.021	DRIVE COVER PLASTIC	1
9	9.110.040	BOLT, M10X1.25X40	4	36	9.106.020	BOLT, M6X1.00X20 FHCS ZN	4
10	23-0626-00	REAR SWING ARM	1	37	9.220.006	NUT, M6	3
11	14662	BOLT, M10X1.25X174	1	38	003-050516-00	Keyway 5x5x16 (for sprocket on reverse)	1
12	7.020.056	BUSHING	2	39	9.108.016	BOLT, M8X16	4
13	23-0604-00	ENGINE MOUNTING PLATE	1	40	9.400.008	LOCK WASHER 8	6
14	9.108.050	BOLT, M8X1.25X50	4	41	20-0603-00	SAFETY PLATE	1
15	9.220.008	NUT, M8X1.25 LOCKING FLANGE	4	42	14707	GUARD, REAR CHAIN	1
16	23-1107-00	Reverse Assembly	1	43	7.010.028	BATTERY COVER	1
17	23-1108-00	Gasket, Reverse Assembly	1	44	7.020.023	BATTERY STRAP	1
18	14478	SHIFTER ASSEMBLY	1	45	6.000.055	BATTERY	1
19	14456	SHIFT CABLE	2	46	7.020.020	BATTERY CUSHION	1
20	14473	SHIFT CABLE BRACKET	1	47		5/16-24 x 1.75 Bolt	1
21	14750	SHIFT CONTROL DISC	1	48	9.110.018	DRIVE BELT 725	1
22	9.701.016-K	FLAT WASHER	1	49	9.500.010	Front Clutch	1
23	8.011.077-R	Reverse Drive Gear 9T	1	50	14892	Nut Clip	2
24	9.500.001	Rear Clutch	1	51	9.500.009-F	WASHER, M8	1
25	9.700.098	NUT, M16X1.25 LOCKING FLANGE	1	52	012-203575-00	Oil Dust Seal 20x35x7.5	2
26	9.108.090	BOLT, M8X90	3	53	003-10040-00	Safety belt Collar	2
27	8.147.008-R	CHAIN ADJUSTER, 208R	1	54	006-LCT208	LCT ENGINE 208CC ELECTRIC START	1
				55	AJKDC-02	Brass Clutch Bushing	1
				56	8.011.077-R	Reverse Gearbox Sprocket (9 tooth)	1

ELECTRICALS / SEATS / SEAT BELT



REF #	PART NUMBER	DESCRIPTION	COUNT
1	6.100.328	SAFETY BELT	1
2	6.000.159	ENGINE STOP BUTTON	1
3	20-0320-00	HEADLIGHT TOGGLE SWITCH	1
4	6.000.133-M	HORN BUTTON	1
5	6.000.158-D	ENGINE START BUTTON	1
6	6.000.165	IGNITION KEY SWICH	1
7	20-0303-00	WIRING HARNESS	1
8	7.110.076	SWICH PANEL COVER	1
9	9.600.410	SCREW 4X10	4
10	6.000.330	PASSENGER SEAT	1
11	9.108.040	BOLT M8X1.25X40	2
12	6.000.331	DRIVER SEAT	1
13	9.900.840	SEAT RAIL BOLT M8X1.25X40	2
14	6.000.329	HEAD REST	2
15	14465	FLAG POLE BOLT (plastic)	1
16	14466	FLAG POLE NUT(tall plastic)	1
17	14492	FLAG POLE NUT (metal)	1