



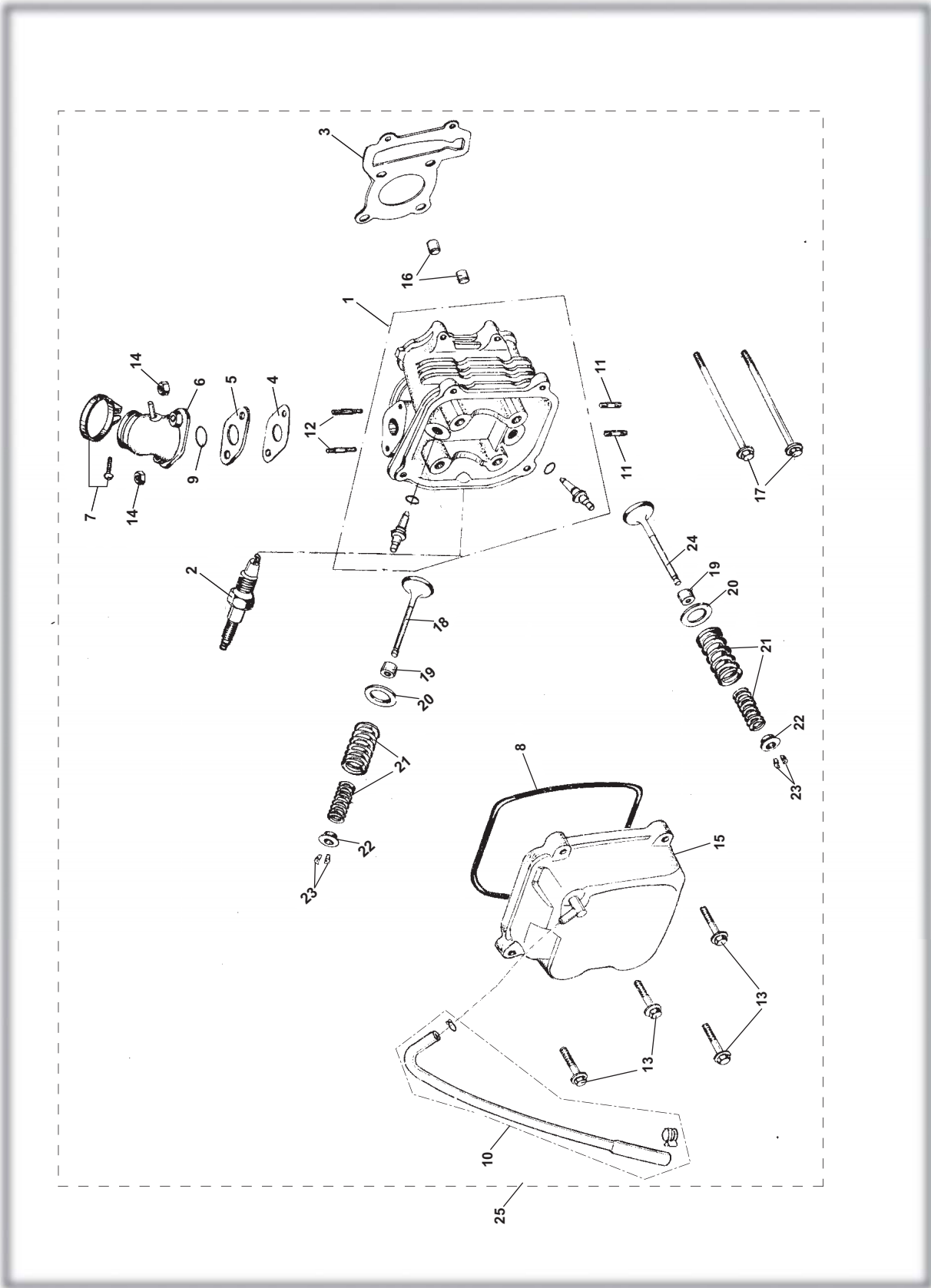
HAMMERHEAD KT150



Illustrated Parts Manual

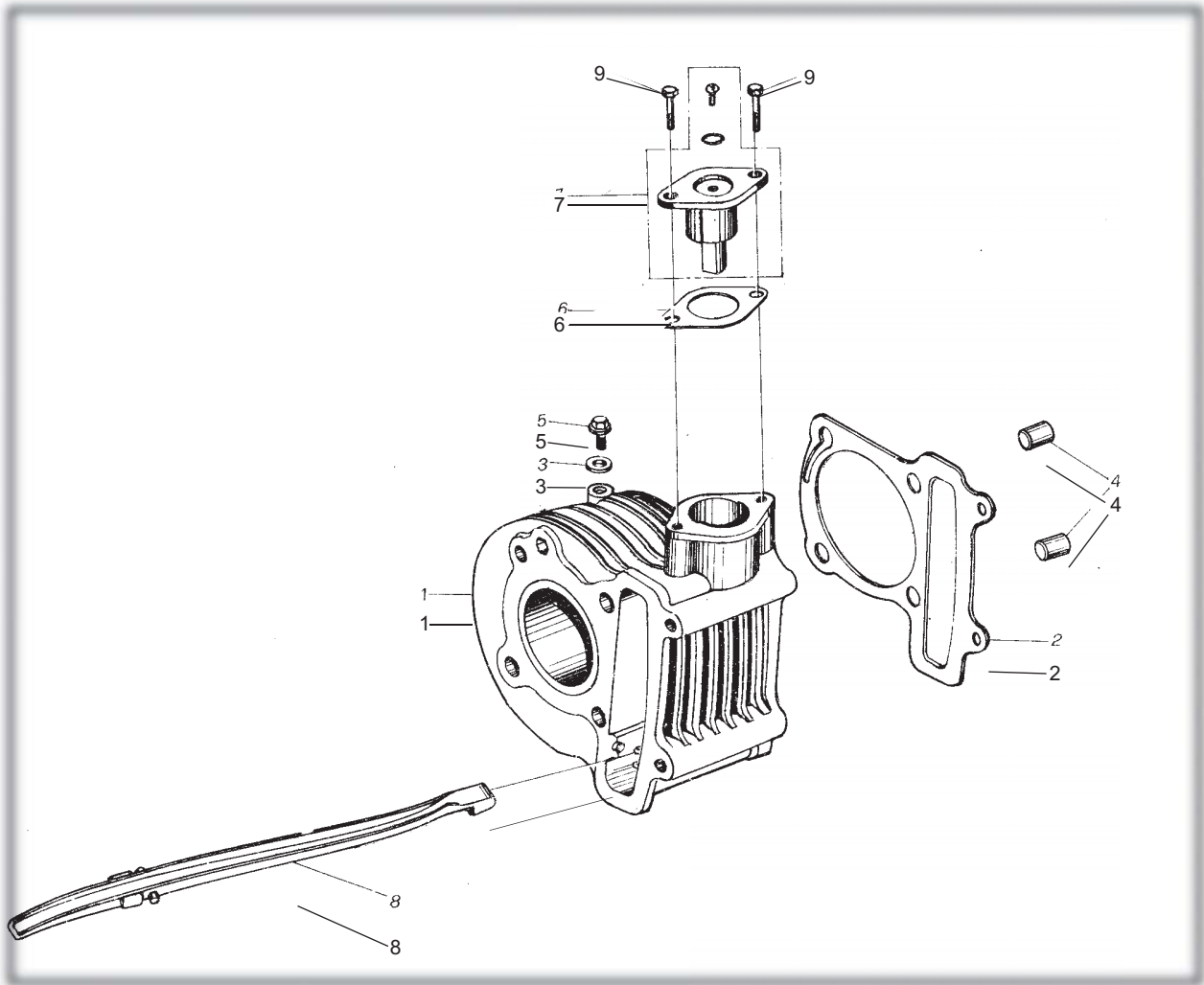
FIG.1

CYLINDER HEAD ASSY.



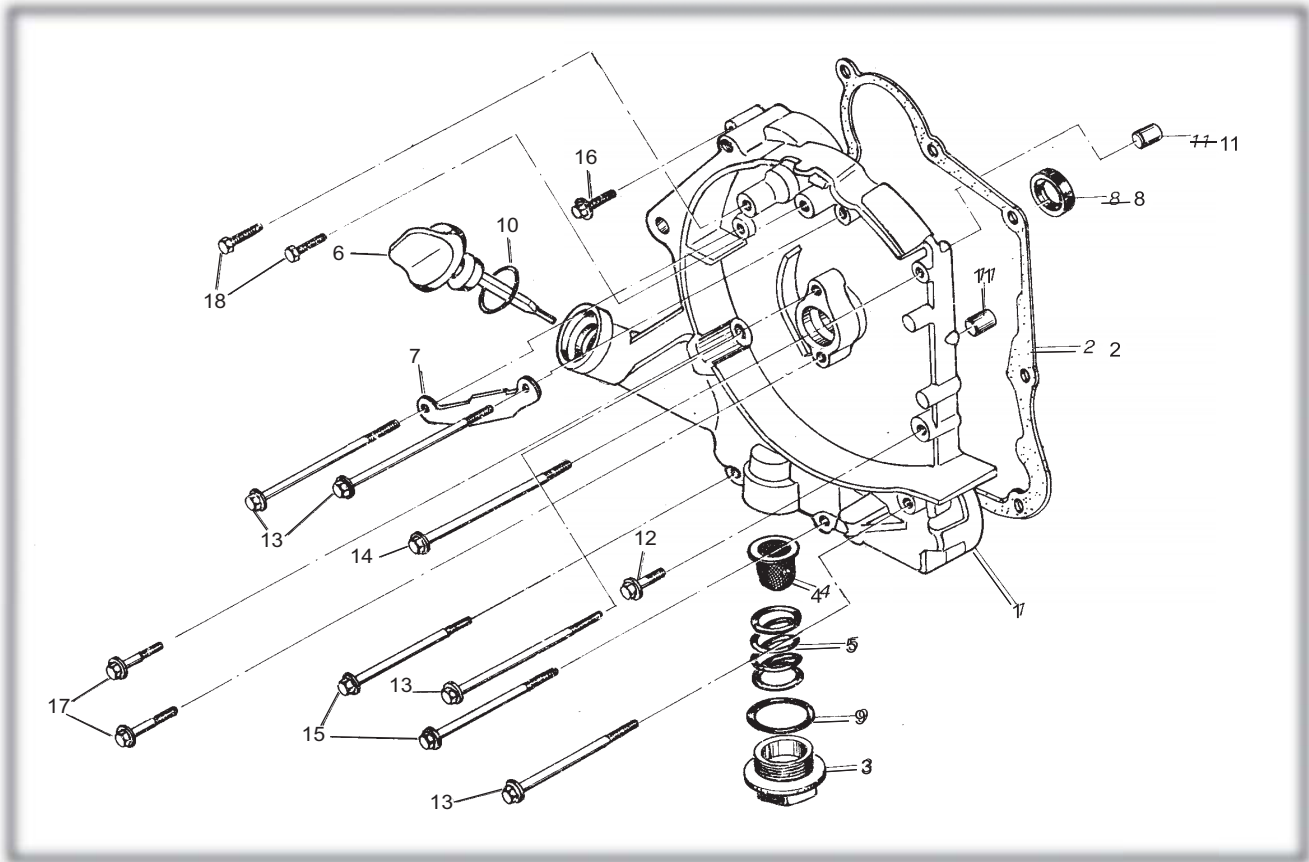
CYLINDER HEAD ASSY.				
REF NO.	PART NO.	DESCRIPTION	REGD NO.	
1	M150-100-1320	CYLINDER HEAD SUBASSY	1	
2	98056-57713-00	SPARK PLUG (C7HSA NGK)	1	
3	M150-1001010	CYLINDER HEAD GASKET	1	
4	M150-1001004	CARBURETOR INSULATOR GASKET	1	
5	M150-1001005	CARBURETOR INSULATOR	1	
6	M150-1001210	PIPE COMP. IN	1	
7	M150-1001220	INSULATOR BAND	1	
8	M150-1001103	HEAD COVER GASKET	1	
9	M150-1001201	O-RING 27X2	1	
10	M150-1001001	BREATHER TUBE	1	
11	M150-1001011	STUD BOLT M6X18	2	
12	M150-1001006	STUD BOLT M6X50	2	
13	M150-B-1003075	FLANGE BOLT M6X25	4	
14	95500-06001-KAS	NUT FLANGE M6-ZN. D	2	
15	M150-1001100	CYLINDER HEAD COVER COMP.	1	
16	M150-1001007	DOWEL PIN 10X16	2	
17	M150-1003007	CYLINDER HEAD BOLT FLANGE M6X100	2	
18	M150-1001301	IN VALVE	1	
19	M150-1001310	VALVE STEM SEAL	2	
20	M150-1001302	VALVE SPRING OUTER SEAT	2	
21	M150-1001303	VALVE OUTER, INNER SPRING	2	
22	M150-1001305	VALVE SPRING RETAINER	2	
23	M150-1001306	VALVE COTTER	4	
24	M150-1001307	EX. VALVE	1	
25	M150-100-1320-C	CYLINDER HEAD ASSY	1	

CYLINDER ASSY.



CYLINDER ASSY.				
REF NO.	PART NO.	DESCRIPTION	REGD NO.	
1	M150-1002200	CYLINDER COMP.	1	
2	M150-1002001	CYLINDER GASKET	1	
3	90442-06000-KAT	WASHER SEALING 6	1	
4	M150-1001007	DOWEL PIN 10X16	2	
5	96001-06012-KAT	FLANGE BOLT M6X12-ZN. D	1	
6	M150-1002002	GASKET TENSIONER LIFTER	1	
7	M150-1002100	TENSIONER LIFTER ASSY.	1	
8	M150-1002300	CAM CHAIN GUIDE COMP.	1	
9	96001-06020-KAT	FLANGE BOLT 6X20	2	

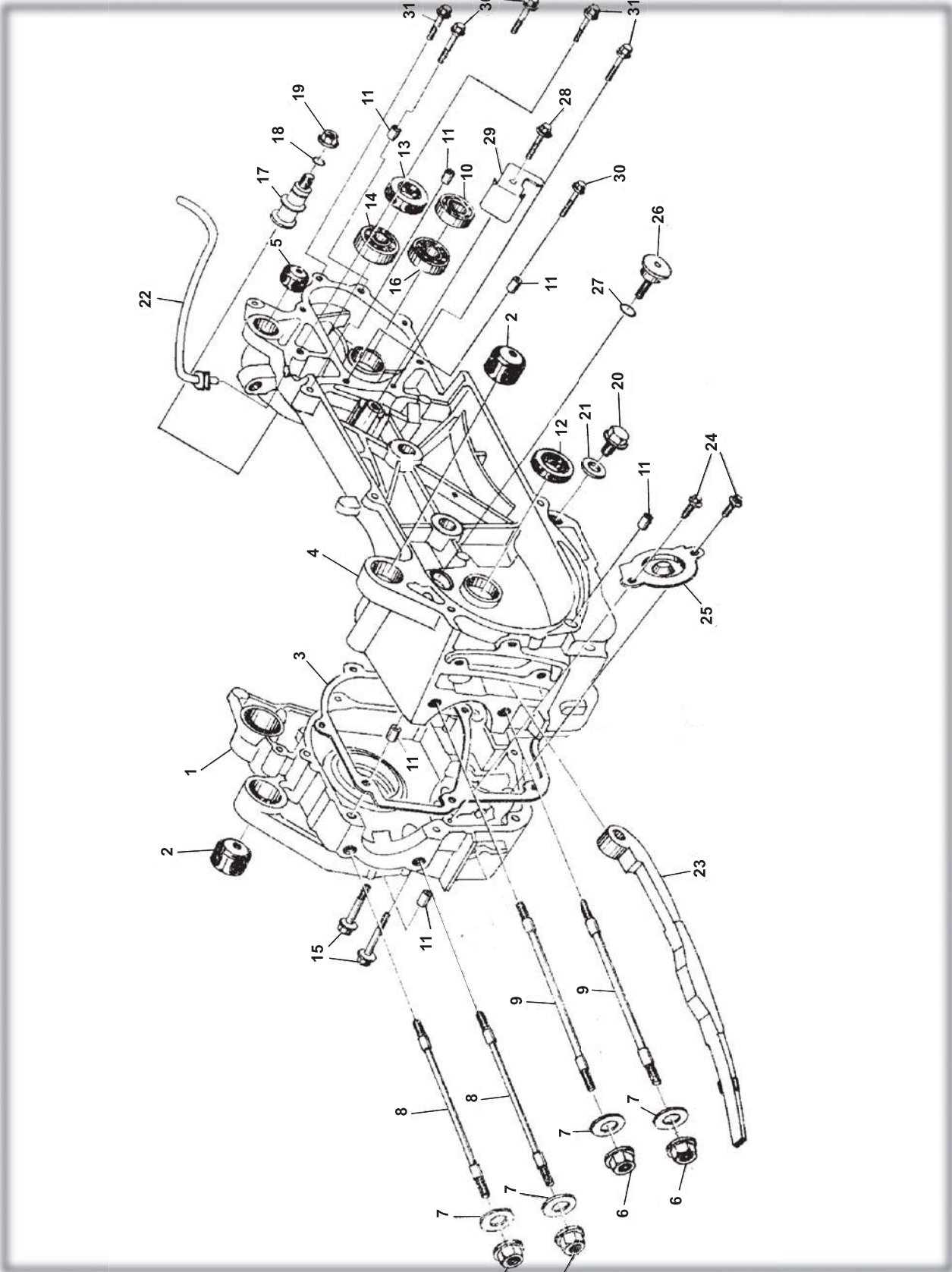
CRANKCASE ASSY. (1)



CRANKCASE ASSY.(1)				
REF NO.	PART NO.	DESCRIPTION	REGD NO.	
1	M150-1003101-B	R CRANKCASE COVER COMP.	1	
2	M150-1003013	CRANKCASE COVER GASKET	1	
3	M150-1003104	CAP TAPPET ADJUSTING HOLE	1	
4	M150-1003120	OIL FILTING SCREEN	1	
5	M150-1003102	OIL FILTING SCREEN SPRING	1	
6	M150-1003105	OIL LEVEL GAUGE	1	
7	M150-1003006	AC GENERATOR CORD CLAMPER	1	
8	M150-1003110	OIL SEAL 19.8X30X5	1	
9	M150-1003103	O-RING 30.8X3	1	
10	M150-1003307	O-RING 18X3	1	
11	M150-1003005	DOWEL PIN 8X14	2	
12	96001-06032-KAT	FLANGE BOLT M6X28	1	
13	M150-1003012	FLANGE BOLT M6X95	4	
14	M150-1003007	FLANGE BOLT M6X100	1	
15	M150-1003008	FLANGE BOLT M6X110	2	
16	M150-1003034	FLANGE BOLT M6X35	1	
17	M150-1003106	FLANGE BOLT M6X20	2	
18	92101-05012-OH	HEX BOLT M5X12-ZN.D	2	

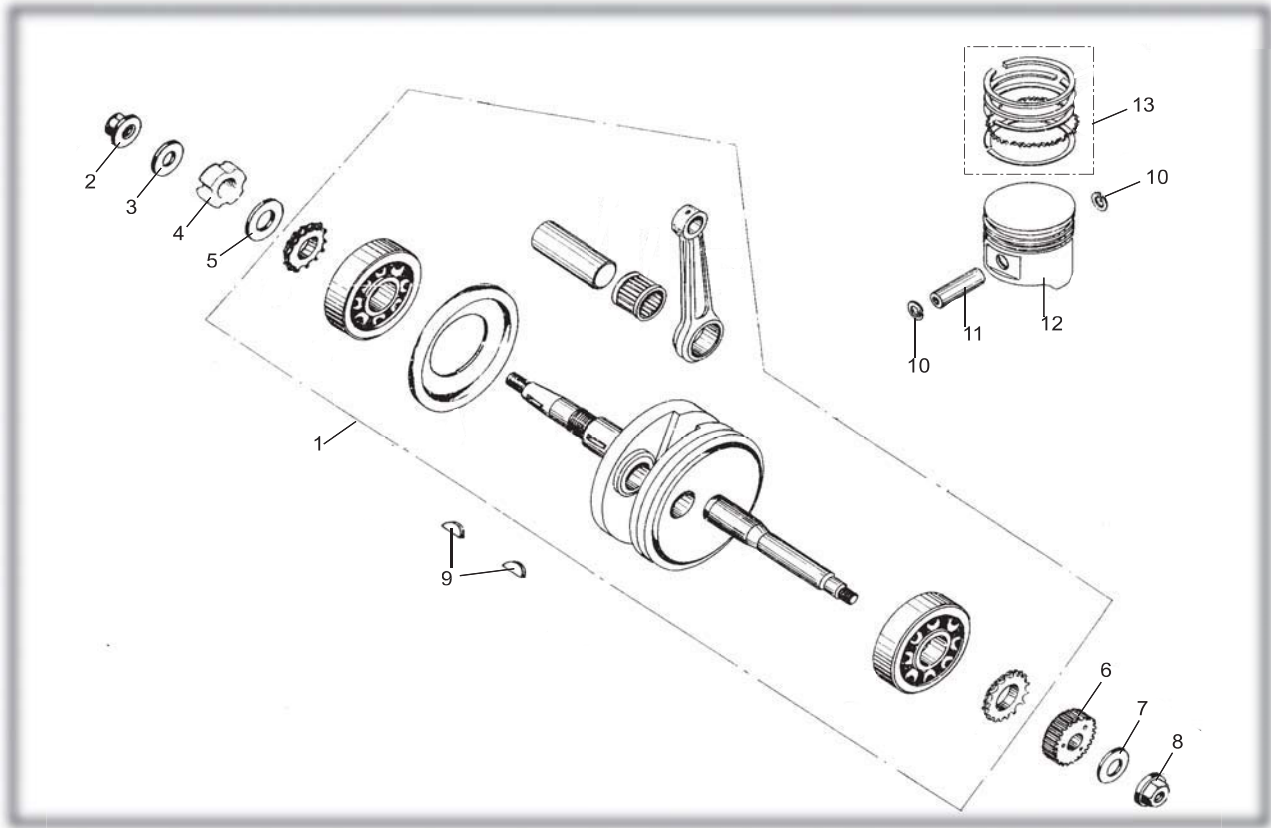
FIG.4

CRANKCASE ASSY. (2)



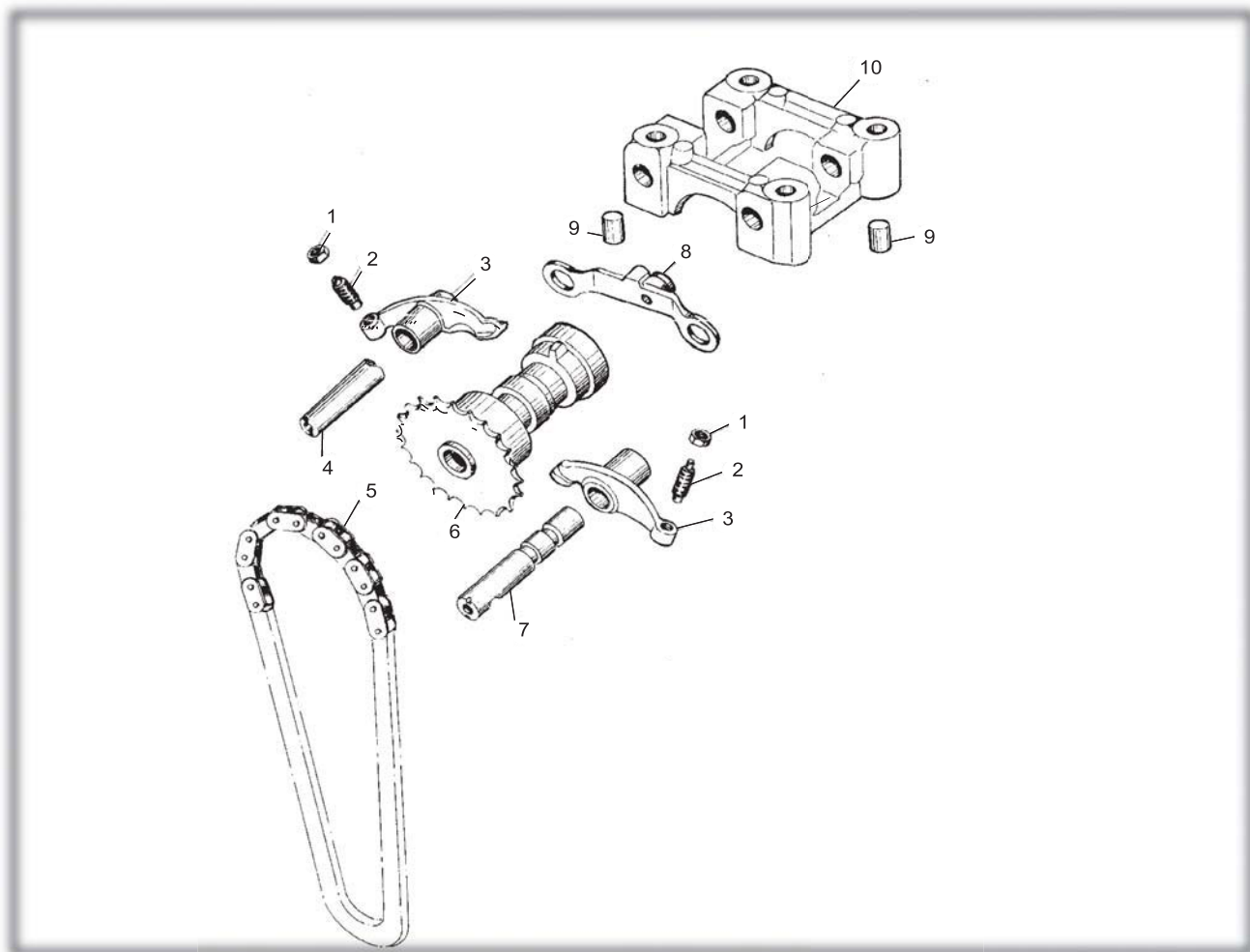
CRANKCASE ASSY.				
REF NO.	PART NO.	DESCRIPTION	REGD NO.	
1	M150-1003210-B	CRANKCASE ASSY. R	1	
2	M150-1003320	ENGINE HANGER RUBBER BUSH	2	
3	M150-1003014	CRANKCASE GASKET	1	
4	M150-1003310	CANKCASE ASSY. L	1	
5	M150-1003330	RR CUSHION UNDER RUBBER BUSH	1	
6	M150-1003003	FLANGE NUT M8	4	
7	M150-1003004	WASHER $\Phi 8$	4	
8	M150-1003001	STUD BOLT M8X187.5	2	
9	M150-1003002	STUD BOLT M8X195.5	2	
10	91004-E6002-KAT	RADIAL BALL BEARING E6002	1	
11	M150-1003005	DOWEL PIN 8X14	6	
12	M150-1003110	OIL SEAL 19.8X30X5	1	
13	M150-1003340	OIL SEAL 27X42X7	1	
14	91004-E6004-2RS	RADIAL BALL BEARING E6004-2RS	1	
15	M150-1003032	FLANGE BOLT M6X50	2	
16	91004-E6301-KAT	RADIAL BALL BEARING E6310	1	
17	M150-1003015	BRAKE SHOE ANCHOR PIN	1	
18	M150-1003016	OIL SEAL 7.5X15	1	
19	M150-1003600	FLANGE NUT M8	1	
20	M150-1003018	DRAIN PLUG BOLT M12	1	
21	M150-1003019	DRAIN PLUG WASHER $\Phi 12$	1	
22	M150-1003400	BREATHER TUBE	1	
23	M150-1003500	CAM CHAIN TENSIONER	1	
24	M150-1003203	FLANGE BOLT M6X12	2	
25	M150-1003202	OIL SEPARATOR	1	
26	M150-1003022	CAM CHAIN TENSIONER PIVOT	1	
27	M150-1003023	OIL SEAL 15.2X12	1	
28	96001-06014-KAT	FLANGE BOLT M6X14	1	
29	M150-1003021	KICK RETURN STOPPER PLATE	1	
30	M150-1003009	FLANGE BOLT M6X35	3	
31	M150-1003011	FLANGE BOLT M6X25	3	

CRANKSHAFT CON'ROD & PISTON ASSY.



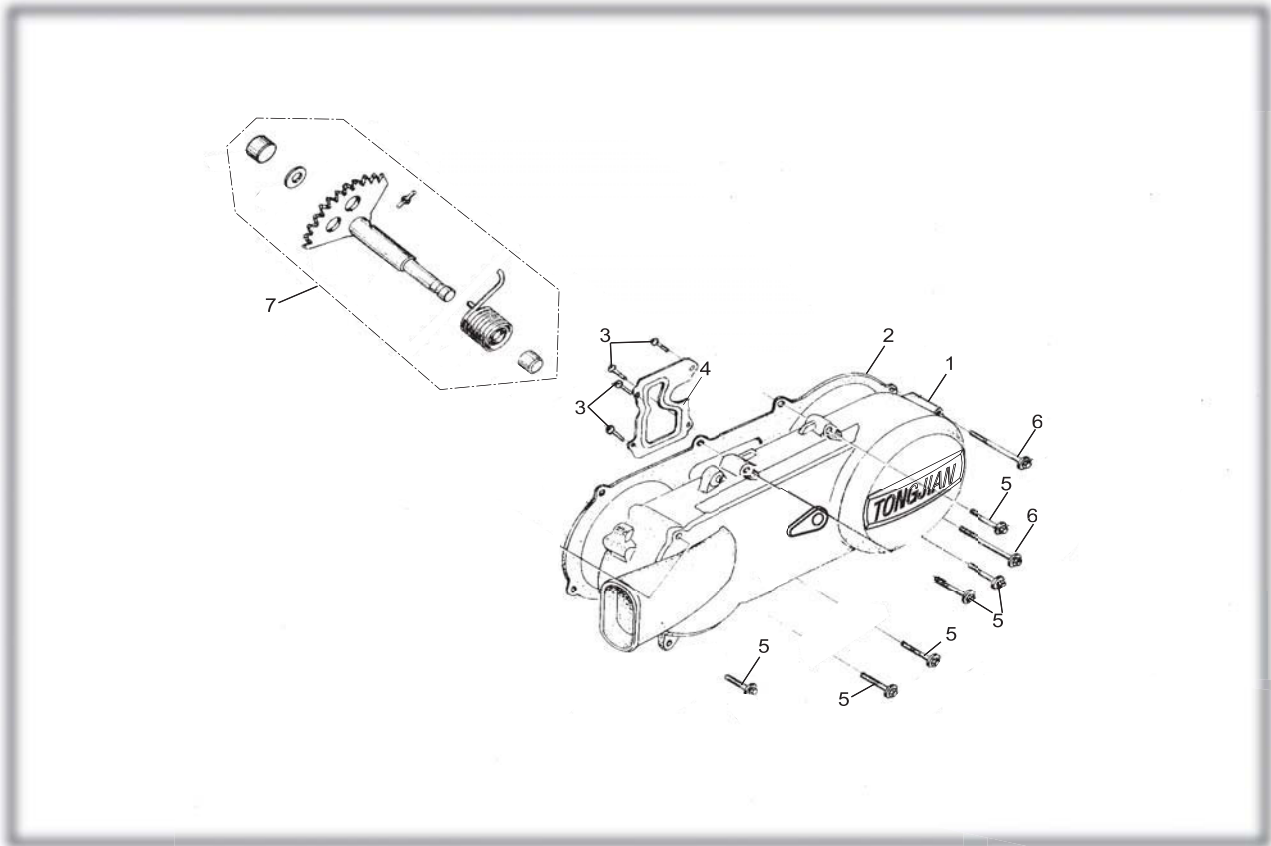
CRANKSHAFT CON'ROD & PISTON ASSY.				
REF NO.	PART NO.	DESCRIPTION	REGD NO.	
1	M150-1004100	CRANKSHAFT & CONROD ASSY.	1	
2	M150-1004007	NUT M12X1.25	1	
3	M150-1004011	WASHER 12-149HV 12-140HV	1	
4	M150-1004009	LOCKING NUT	1	
5	M150-1004013	WASHER	1	
6	M150-1004012	KICK DRIVE GEAR	1	
7	M150-1040005	WASHER $\Phi 12$	1	
8	M150-1004008	NUT M12	1	
9	M150-1004002	WOODRUFF KEY	2	
10	M150-1004003	PISTON PIN CLIP	2	
11	M150-1004006	PISTON PIN	1	
12	M150-1004001	PISTON	1	
13	M150-1004200	PISTON RING SET	1	

CAMSHAFT ASSY.

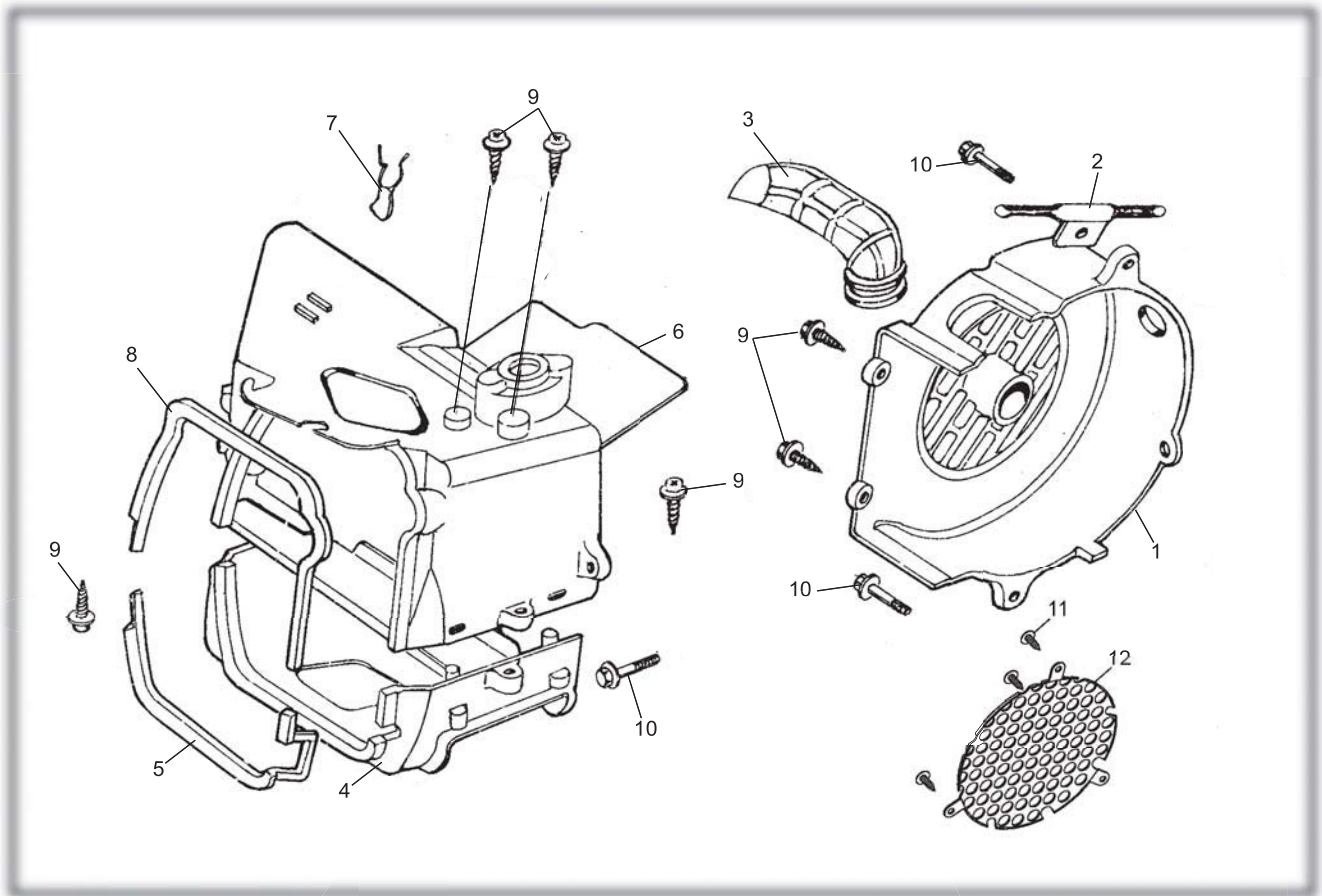


CAMSHAFT ASSY.				
REF NO.	PART NO.	DESCRIPTION	REGD NO.	
1	M150-1005004	TAPPET ADJUSTING NUT	2	
2	M150-1005003	TAPPET ADJUSTING SCREW	2	
3	M150-1005002	VALVE ROCKER ARM	2	
4	M150-1005005	EX ROCKER ARM SHAFT	1	
5	M150-1005400	CAMSHAFT CHAIN	1	
6	M150-1005300	CAMSHAFT COMP. 16T	1	
7	M150-1005200	IN ROCK ARM SHAFT COMP.	1	
8	M150-1005100	STOPPER PLATE COMP.	1	
9	M150-1001007	DOWEL PIN 10X16	2	
10	M150-1005001	CAMSHAFT HOLDER	1	

LEFT COVER ASSY.

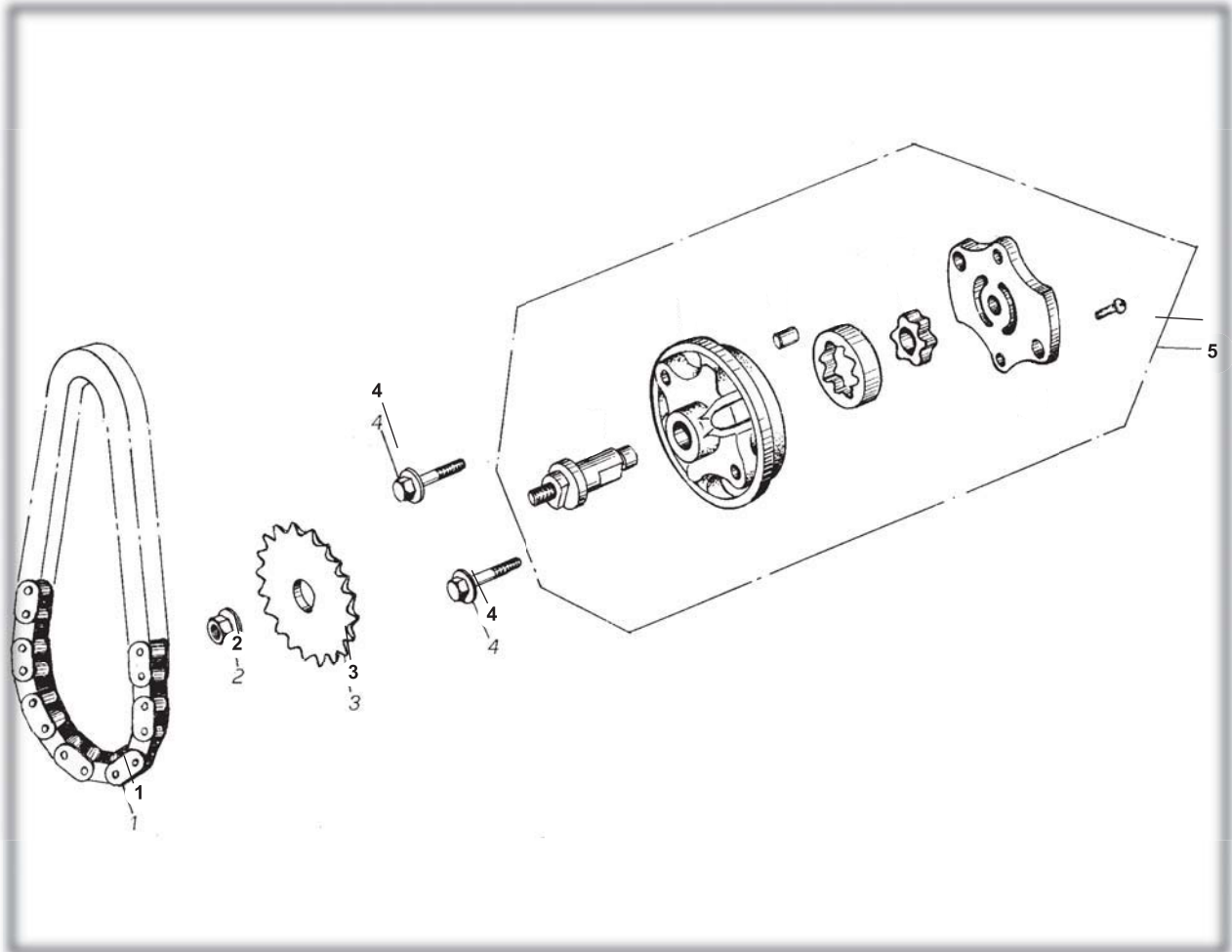


LEFT COVER ASSY.				
REF NO.	PART NO.	DESCRIPTION	REGD NO.	
1	M150-1008101	COVER L	1	
2	M150-1008005	L COVER GASKET	1	
3	93903-00428-KAT	TAPPING SCREW ST4.2X8-F-H	4	
4	M150-1008102	L COVER PLATE	1	
5	M150-1003034	FLANGE BOLT M6X40	6	
6	M150-1008006	FLANGE BOLT M6X65	2	
7	M150-1008200	KICK STARTER ASSY. SPINDLE COMP.	1	

FAN COVER AND SHROUD ASSY.**FAN COVER AND SHROUD ASSY.**

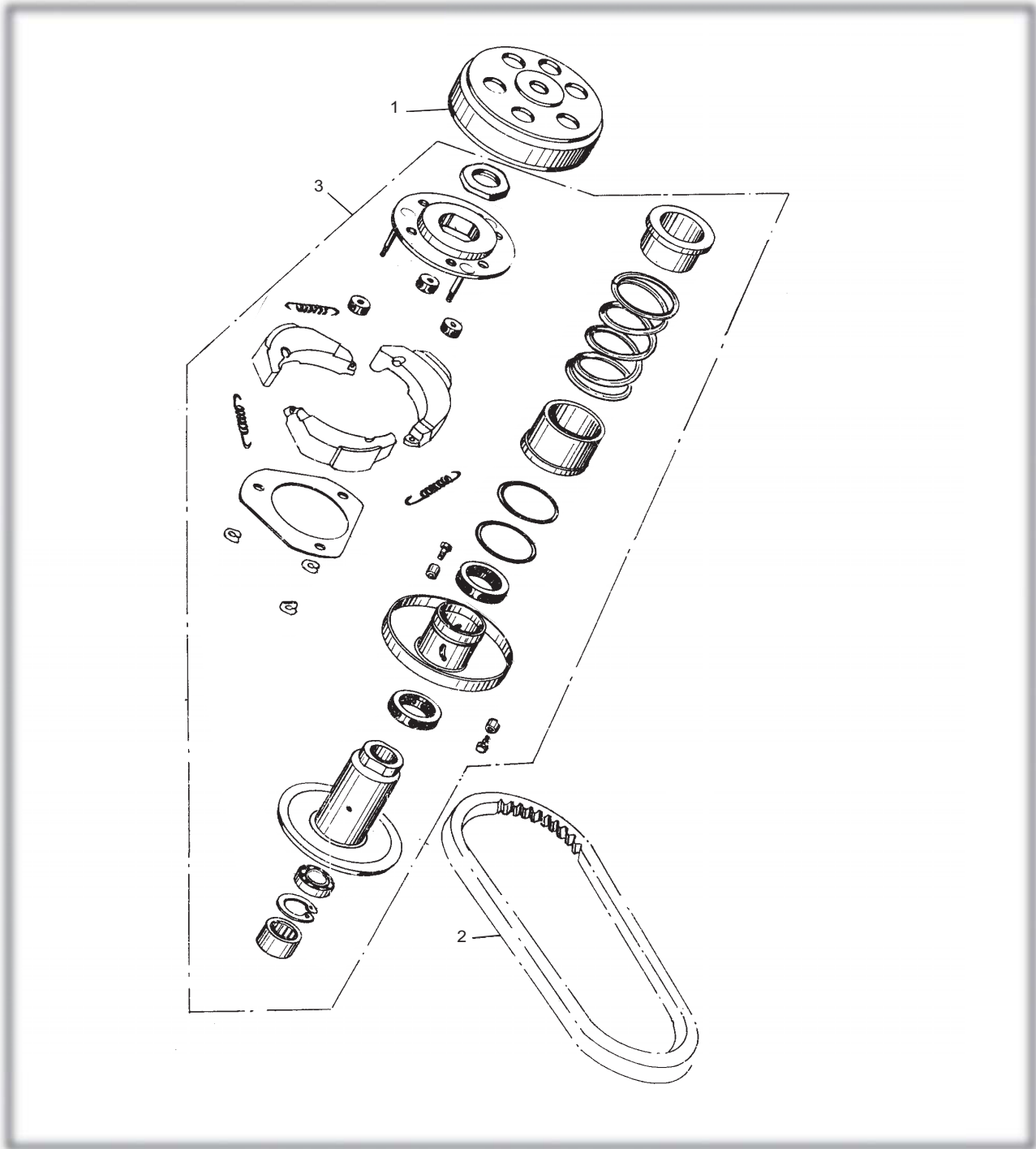
REF NO.	PART NO.	DESCRIPTION	REGD NO.	
1	M150-1009410	FAN COVER COMP.	1	
2	M150-1009002	STARTER CABLE CLAMPER	1	
3	M150-1009401	CARBURETOR COOLING DUCT	1	
4	M150-1009301	LOWER SHROUD	1	
5	M150-1009302	LOWER SHROUD SEAL	1	
6	M150-1009110	UPPER SHROUD COMP.	1	
7	M150-1009103	HIGH TENSION CORD CLIP	1	
8	M150-1009102	UPPER SHROUD SEAL	1	
9	M150-1009402	SCREW ST4.8X16-F	6	
10	M150-1003075	BOLT M6X25	3	
11	ST3.5X13 GB845	SCREW ST3.5×13-F	3	
12	8.020.179	DUST COVER	1	

OIL PUMP ASSY.



OIL PUMP ASSY.				
REF NO.	PART NO.	DESCRIPTION	REGD NO.	
1	M150-1021000	CHAIN OIL PUMP	1	
2	M150-1020002	NUT FLANGE M6	1	
3	M150-1020001	SPROCKET OIL PUMP DRIVEN	1	
4	M150-B-1003075	BOLT M6X25	2	
5	M150-1022000	OIL PUMP SUB ASSY.	1	

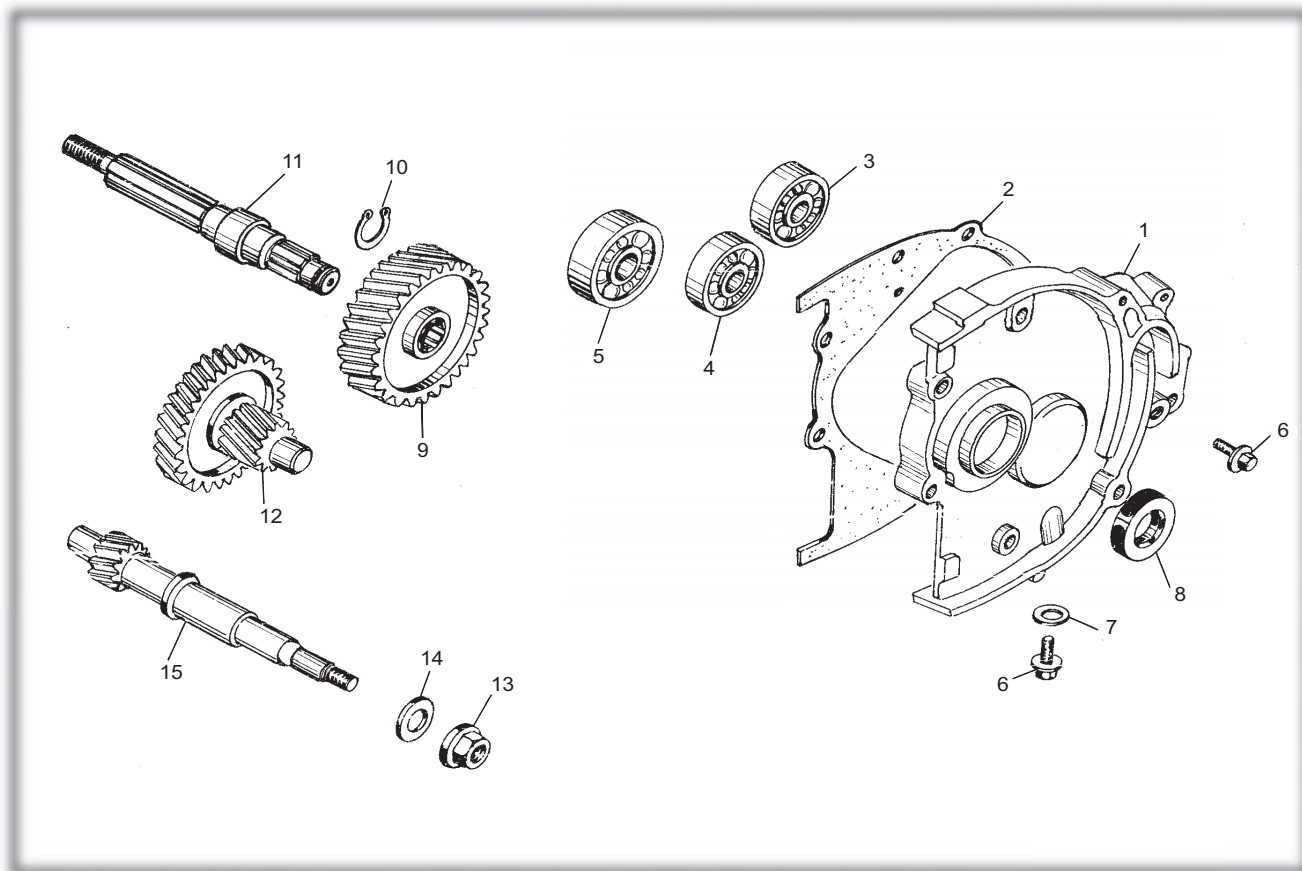
DRIVEN PULLEY AND CLUTCH SUBASSY.



DRIVEN PULLEY AND CLUTCH SUBASSY.

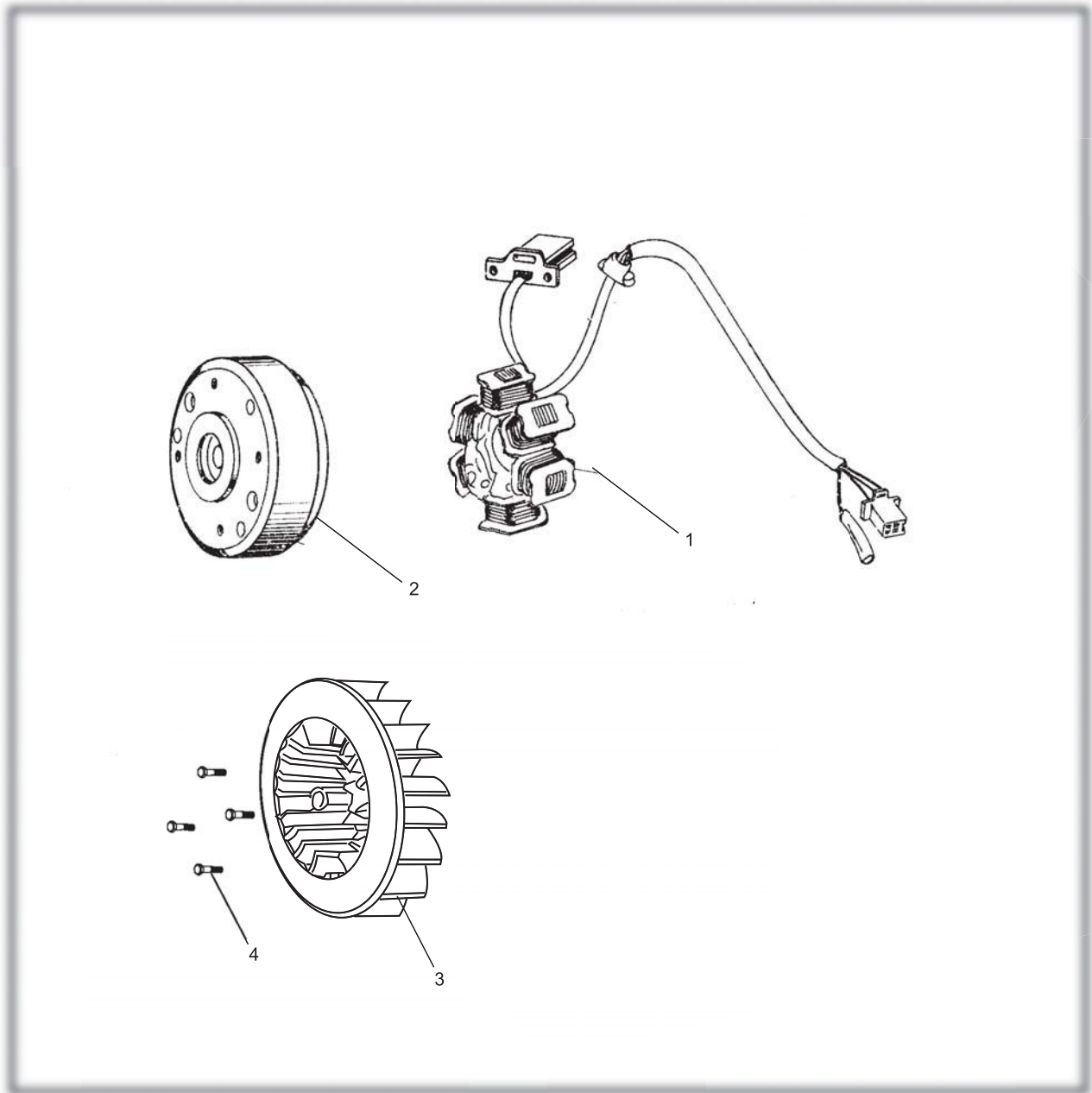
REF NO.	PART NO.	DESCRIPTION	REGD NO.	
1	M150-1032000	CLUTCH ASSY. OUTER	1	
2	M150-1033000	DRIVE BELT	1	
3	M150-1031000	DRIVEN PULLEY ASSY.	1	

TRANSMISSION ASSY.



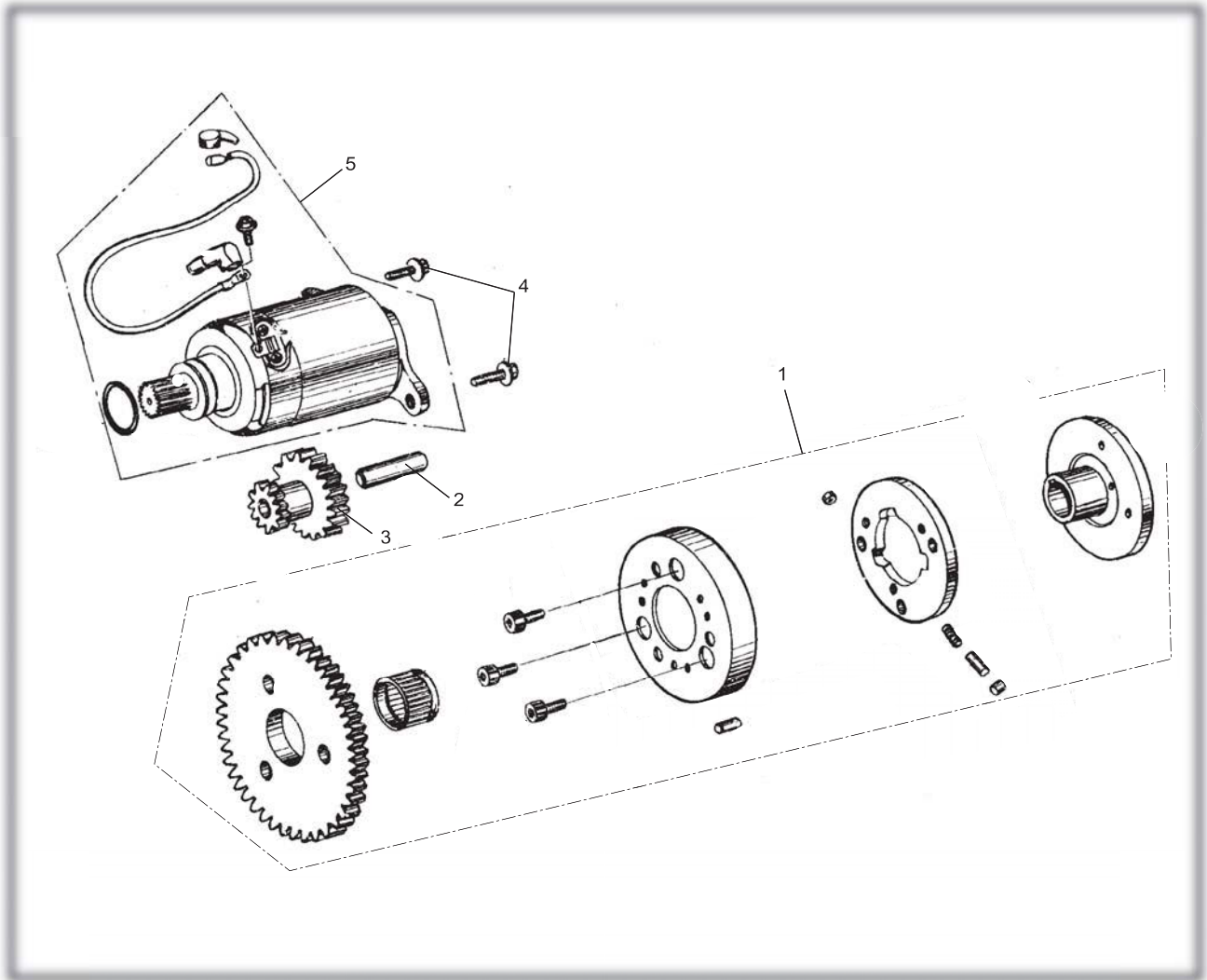
TRANSMISSION ASSY.				
REF NO.	PART NO.	DESCRIPTION	REGD NO.	
1	M150-1040001	TRANSMISSION COVER	1	
2	M150-1041000	TRANSMISSION COVER GASKET	1	
3	91004-E6203-KAT	RADIAL BALL BEARING E6203	1	
4	91004-E6202-KAT	RADIAL BALL BEARING E6202	1	
5	91004-E6204-KAT	RADIAL BALL BEARING E6204	1	
6	M150-1040008	SPECIAL BOLT M8X12	2	
7	M150-1040002	WASHER Φ8	1	
8	M150-1042000	OIL SEAL 20X32X6	1	
9	M150-1040004	FINAL GEAR	1	
10	94510-20000	EXTERNAL CIRCLIP 20	1	
11	M150-1040003	FINAL SHAFT	1	
12	M150-1043000	COUNTER SHAFT COMP.	1	
13	M150-1040007	COMPRESSOR FLANGE NUT M12	1	
14	M150-1040005	WASHER Φ12	1	
15	M150-1040006	DRIVE SHAFT	1	

ELECTRIC SYSTEM



ELECTRIC SYSTEM				
REF NO.	PART NO.	DESCRIPTION	REGD NO.	
1	M150-1051200-8	STATOR COMP.	1	
2	M150-1051100	FLYWHEEL COMP.	1	
3	M150-1051100-3	COOLING FAN COMP.	1	
4	M150-1051100-4	FLANGE BOLT M6x18	4	

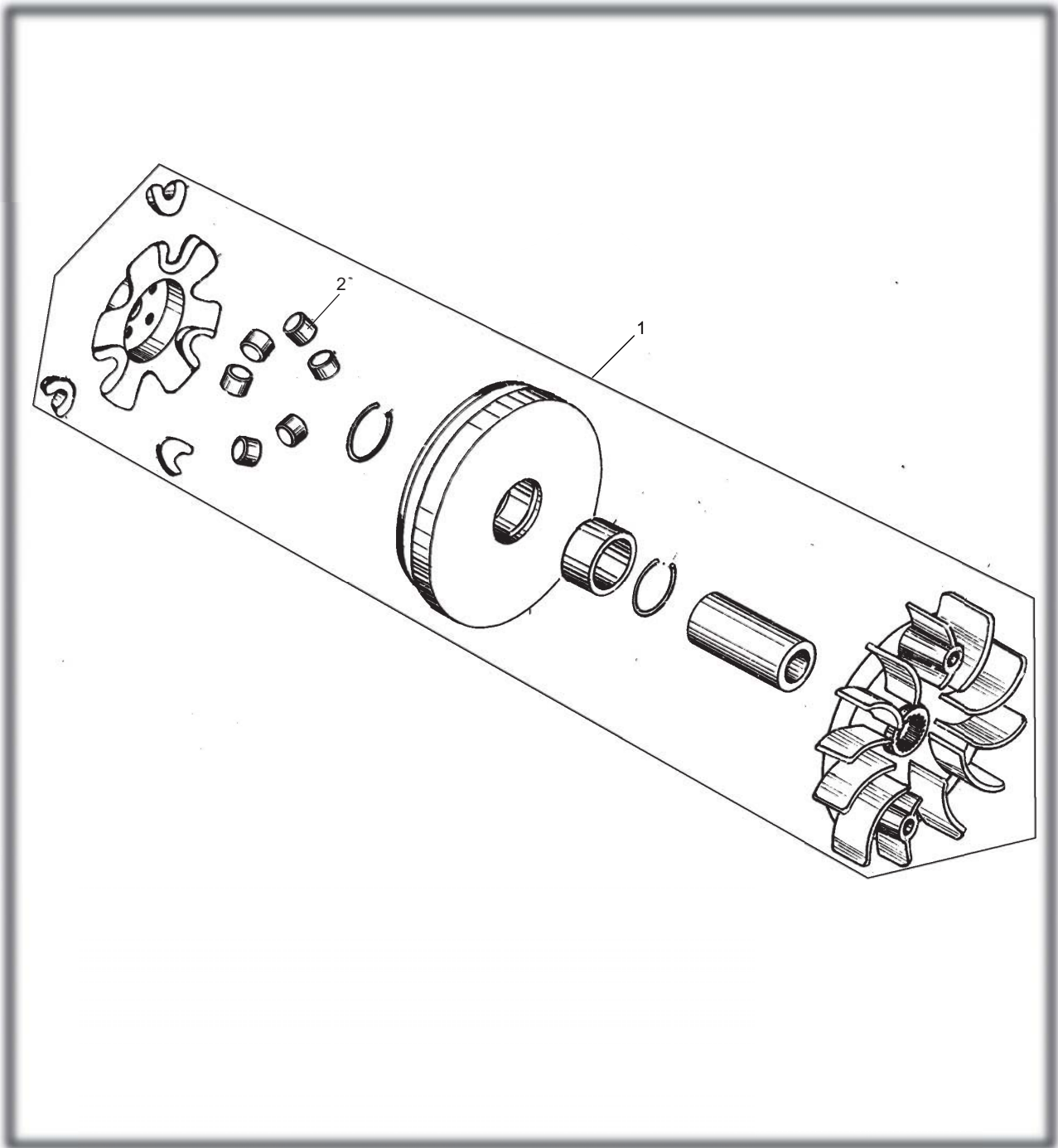
ELECTRIC STARTER ASSY.



ELECTRIC STARTER ASSY.

REF NO.	PART NO.	DESCRIPTION	REGD NO.	
1	M150-1060001	FLANGE STARTING CLUTCH	1	
2	M150-1060002	STARTER REDUCTION GEAR SHAFT	1	
3	M150-1060003	STARTER REDUCTION GEAR	1	
4	M150-1060005	FLANGE BOLT M6X16	2	
5	M150-1064000	STARTER MOTOR ASSY.	1	

DRIVE PULLEY SUBASSY.

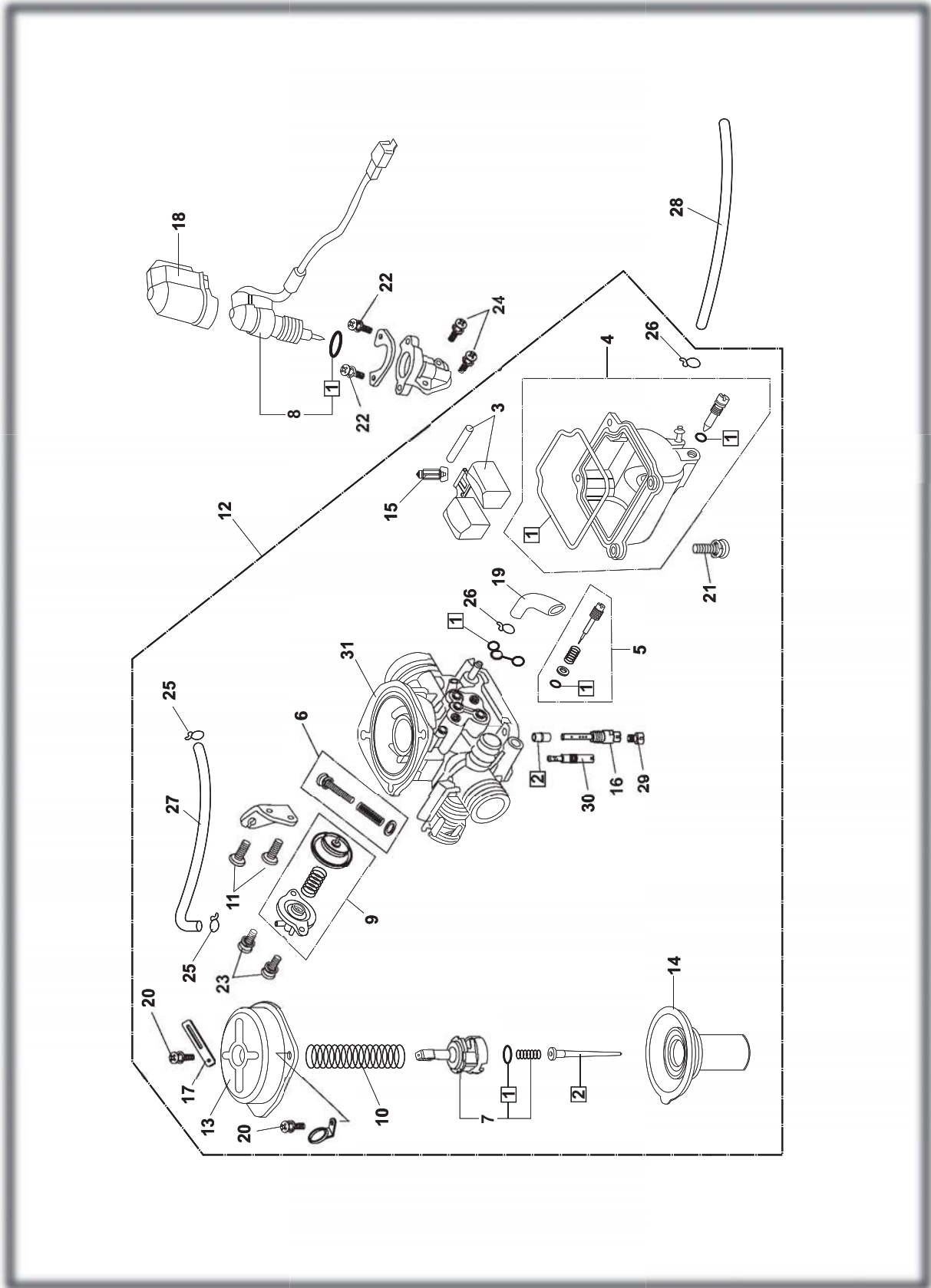


DRIVE PULLEY SUBASSY.

REF NO.	PART NO.	DESCRIPTION	REGD NO.	
1	M150-1071000	MOVABLE DRIVE PULLEY ASSY.	1	
2	M150-10710002	ROYER	6	

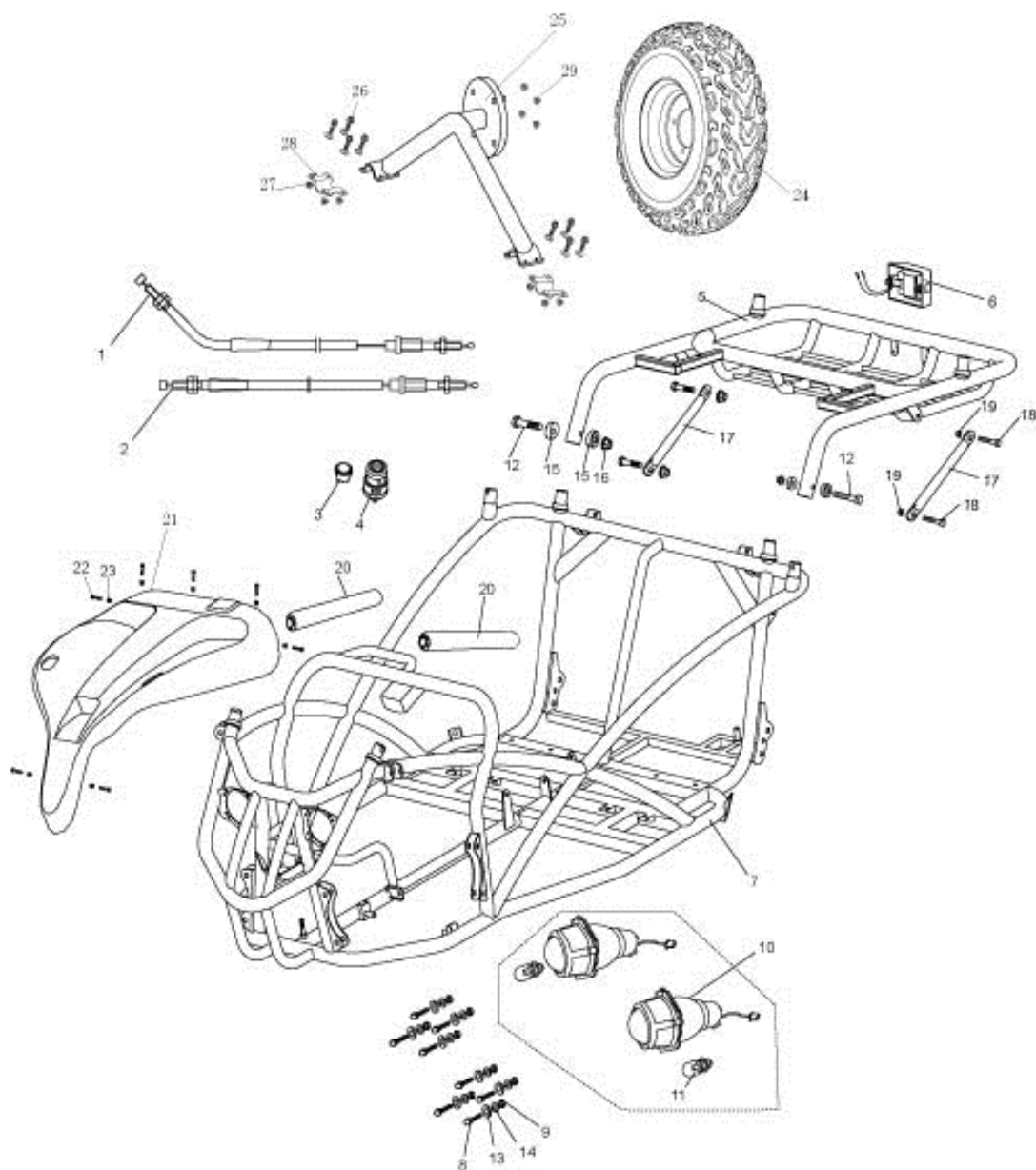
FIG.15

CARBURETOR



CARBURETOR				
REF NO.	PART NO.	DESCRIPTION	REGD NO.	
1	16010-KAT-901	GASKET SET A	1	
2	16012-KAT-903	JET NEEDLE SET	1	
3	16013-KAT-904	FLOAT SET	1	
4	16015-KAT-905	FLOAT CHAMBER SET	1	
5	16016-KAT-906	SCREW SET A	1	
6	16028-KAT-907	SCREW SET B	1	
7	16037-KAT-908	VALVE PLATE SET	1	
8	16046-KAT-909	AUTO BYSTARTER ASSY.	1	
9	16048-KAT-910	AIR CUT VALVE SET	1	
10	16050-KAT-911	COMPRESSION COIL SPRING	1	
11	16080-KJ9-003	PAN SCREW M5x12	1	
12	16100-KAT-913	CARBURETOR ASSY.	2	
13	16107-KAT-914	TOP	1	
14	16111-KAT-915	VACUUM PISTON COMP.	1	
15	16155-KAT-902	FLOAT VALVE COMP.	1	
16	16165-KAT-916	NEEDLE JET HOLDER	1	
17	16179-KAB-670	BINDER	1	
18	16190-GJ2-004	HOLDER CAP.	1	
19	95005-45270-50	TUBE	1	
20	93500-04008	PAN SCREW M4x8	1	
21	93500-04014-1H	PAN SCREW M4x14	2	
22	93892-04008-18	SCREW-WASHER M4x8	4	
23	93892-04010-18	SCREW-WASHER M4x10	2	
24	93892-05012-18	SCREW-WASHER M5x12	2	
25	95002-02079	TUBE CLIP (B7)	2	
26	95002-02089	TUBE CLIP (B8)	2	
27	95005-35200-21	TUBE 3.5x210	2	
28	16199-GT8-600	TUBE	1	
29	99101-GHB-0112	MAIN JET 112#	1	
30	99103-GY6-0350	SLOW JET 35#	1	
31	16100-KAT-923	CARBURETOR BODY	1	

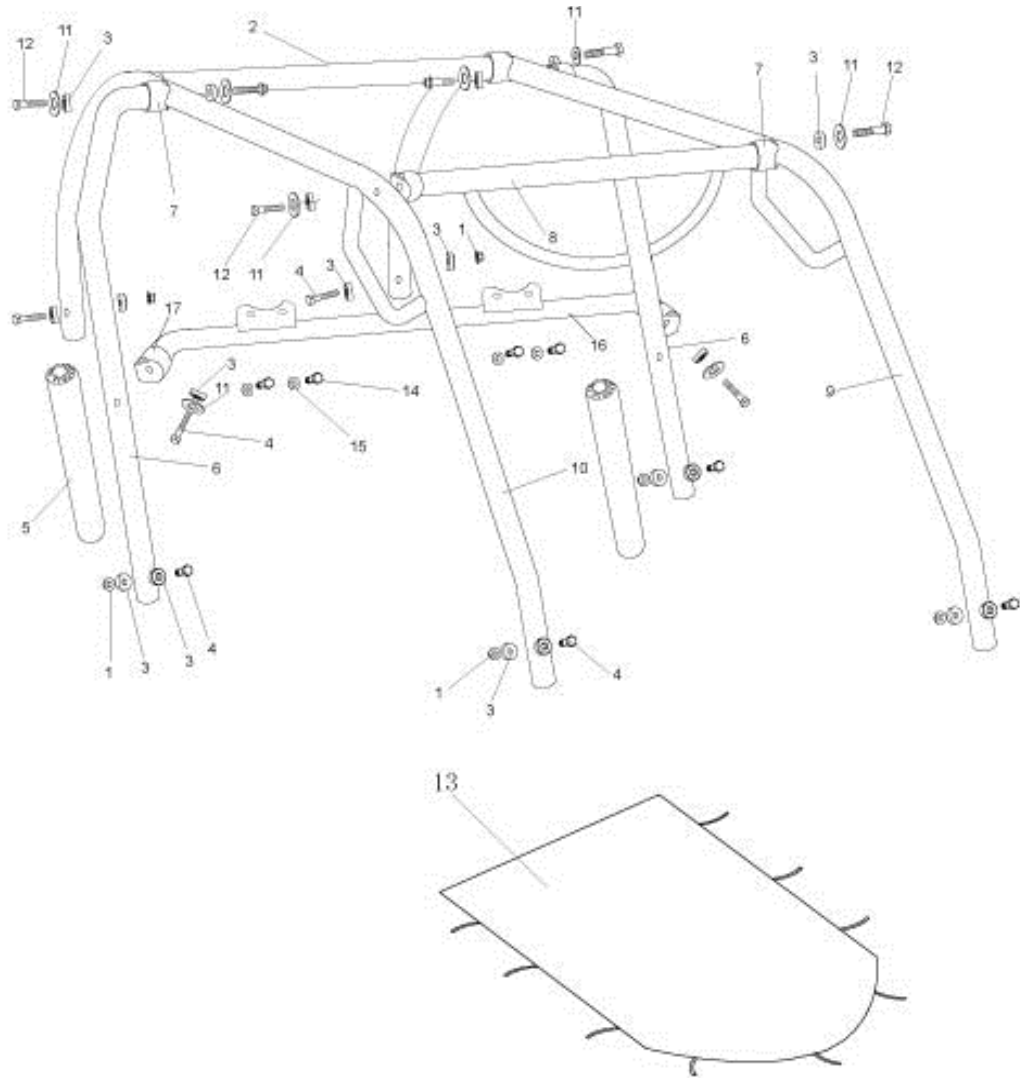
FRAME GROUP



REF No.	MFG No.	DESCRIPTION	REGD NO.
1	KT01-001	CABLE COMP. PARK BRAKE	1
2	KT01-002	CABLE COMP. REVERSE	1
3	KT01-003	ENGINE STOP BUTTON	1
4	KT01-004	IGNITION START SWITCH	1
5	KT01-005	REAR CARGO RACK	1
6	KT01-006	BRAKE LIGHT	1
7	KT01-007	MAIN FRAME	1
8	KT01-008	SCREW	8
9	KT01-009	NUT, M5	2
10	KT01-010	HEADLIGHT SET	2
11	KT01-011	HEADLIGHT BULB	2
12	KT01-012	BOLT M8 X55	2
13	KT01-013	WASHER 5	8
14	KT01-014	SPRING WASHER	8

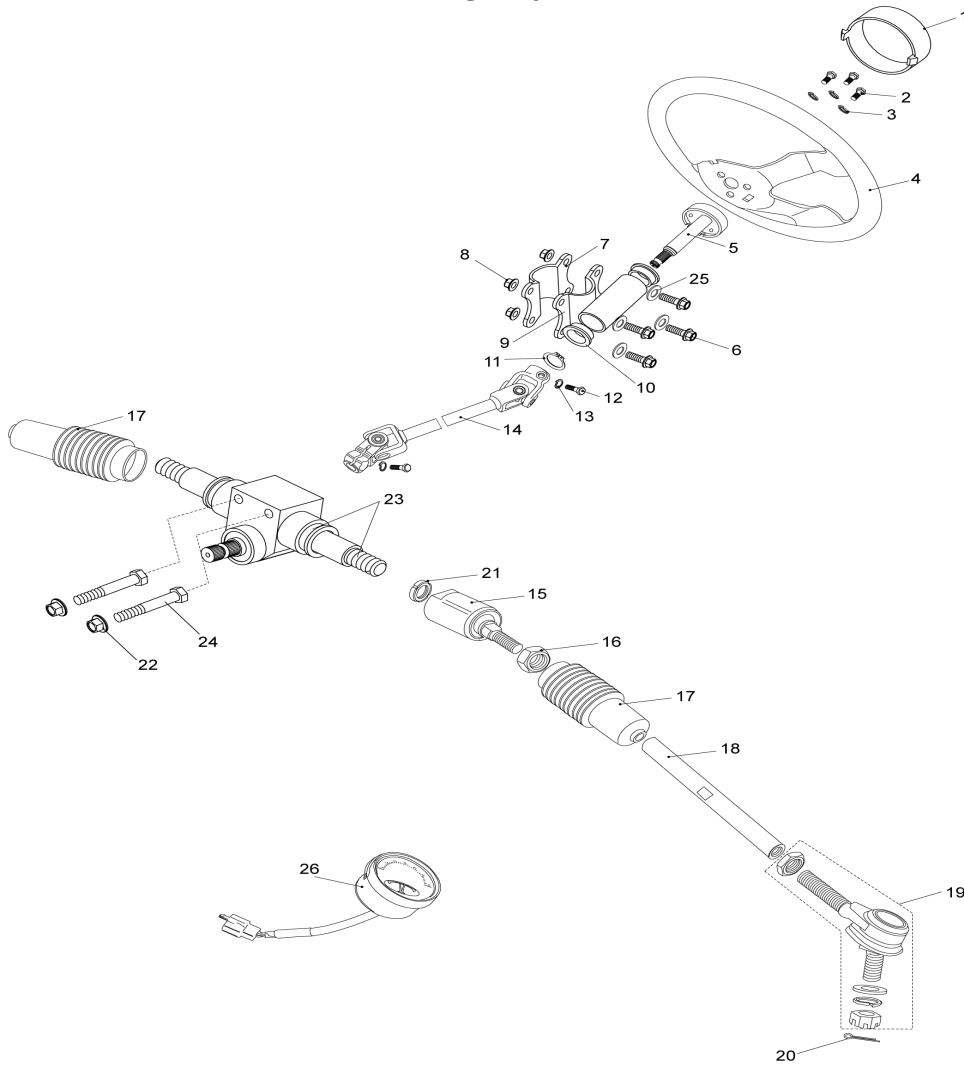
REF No.	MFG No.	DESCRIPTION	REGD NO.
15	KT01-015	R-WASHER	4
16	KT01-016	NUT LOCKING FLANGE M8	2
17	KT01-017	RACK SUPPORT ARM	2
18	KT01-018	BOLT M10X1.25X25	4
19	KT01-019	NUT M10 X1.25	4
20	KT01-020	PADDING FRAME LONG	2
21	KT01-021	FR. PLASTIC	1
22	KT01-022	BOLT, M6X16	2
23	KT01-023	NUT, M6	1
24	KT01-024	SPARE TYRE COMP. FR.	1
25	KT01-025	SPARE TYRE COMP. FR. BRACKET	1
26	KT01-026	BOLT, M8X25	8
27	KT01-027	NUT, M8	8
28	KT01-028	FIXING PLATE	2
28	KT01-029	NUT, M10X1.25	4

Upper Brush Guards



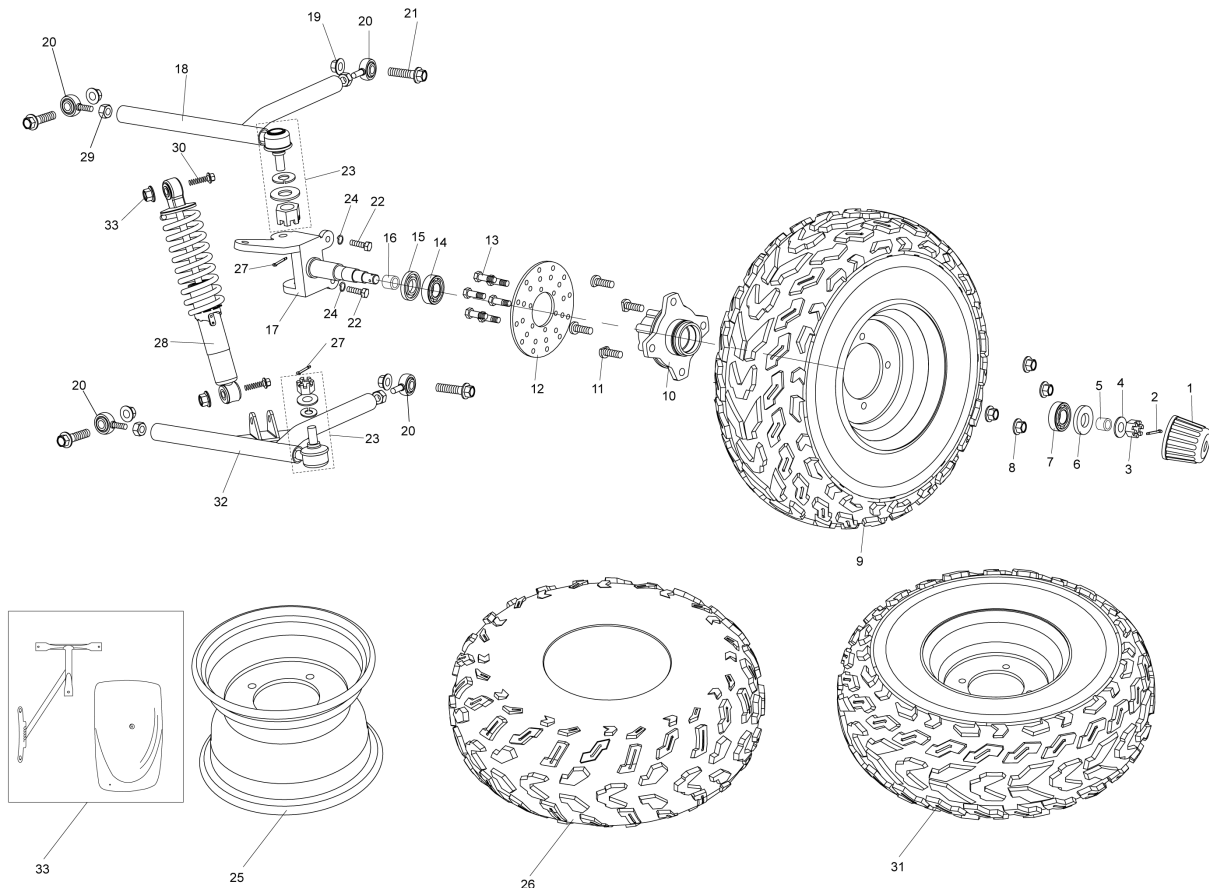
REF No.	MFG No.	DESCRIPTION	REGD NO.
1	KT02-001	NUT M8	7
2	KT02-002	FRAME CROSS MEMBER T-BAR	1
3	KT02-003	WASHER SPHERICAL M8-32	20
4	KT02-004	BOLT M8 X 55	7
5	KT02-005	PADDING FRAME LONG	3
6	KT02-006	GUARD VERTICAL RAIL	2
7	KT02-007	FRAME END CAP SEAT, LARGE	6
8	KT02-008	FRAME CROSS MEMBER UPPER Φ	1
9	KT02-009	GUARD SIDE RAIL LH	1
10	KT02-010	GUARD SIDE RAIL LH	1
11	KT02-011	SPRING WASHER	4
12	KT02-012	BOLT M8 X 60	6
13	KT02-013	CANVAS	1
14	KT02-014	BOLT, M6X16	4
15	KT02-015	SPRING WASHER 6	4
16	KT02-016	HEADREST ASSEMBLE PIPE	1
17	KT02-017	TUBE COLLAR	2

Steering System



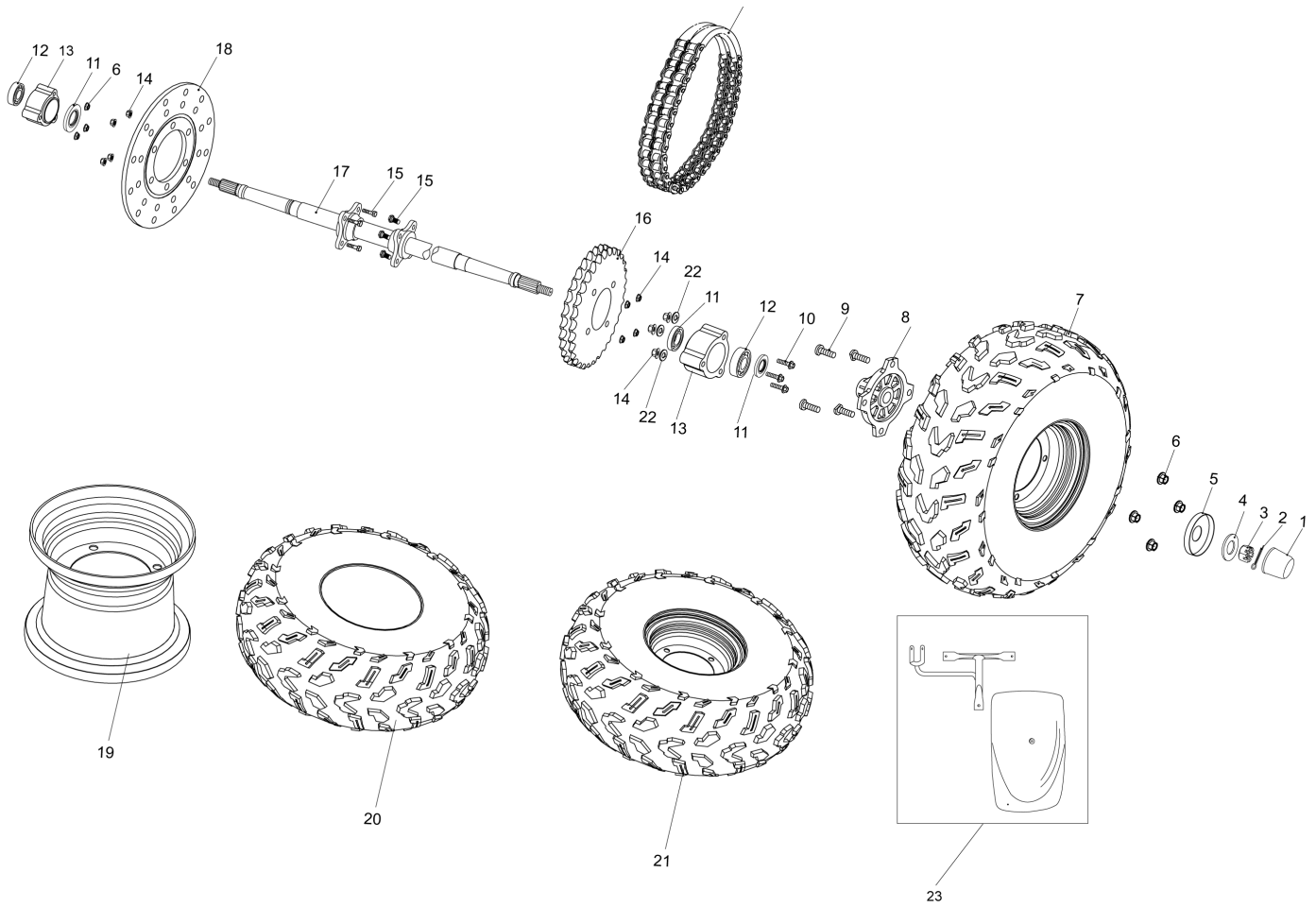
REF No.	MFG No.	DESCRIPTION	REGD NO.	REF No.	MFG No.	DESCRIPTION	REGD NO.
1	KT04-001	COVER. STEERING WHEEL	1	14	KT04-014	STEERING KNUCKLE	1
2	KT04-002	BOLT HHCS M6x12	3	15	KT04-015	STEERING BALL JOINT	2
3	KT04-003	WASHER LOCK M6	3	16	KT04-016	NUT M10	2
4	KT04-004	STEERING WHEEL	1	17	KT04-017	BALL JOINT DUST COVER. L.	2
5	KT04-005	STEERING SHAFT	1	18	KT04-019	TIE ROD	2
6	KT04-006	BOLT M8X25	4	19	KT04-020	ROD END ASSY.	2
7	KT04-007	FIXING PLATE, STEERING WHE	1	20	KT04-021	COTTER PIN Φ 2x15	2
8	KT04-008	LOCK NUT, M8	4	21	KT04-022	ROUND NUT M16x1.5	2
9	KT04-009	FIXING ROD, STEERING WHEEL	1	22	KT04-023	NUT M8	2
10	KT04-010	BUSH. STEERING SHAFT	2	23	KT04-024	STEERING GEAR ASSY.	1
11	KT04-011	CIRCLIP 20	1	24	KT04-025	BOLT M8X60	2
12	KT04-012	BOLT HHCS M8x25	2	25	KT04-026	WASHER Φ 8	4
13	KT04-013	LOCKING WASHER Φ 8	2	26	KT04-027	SPEEDO	1

Front Suspension



REF No.	MFG No.	DESCRIPTION	REGD NO.	REF No.	MFG No.	DESCRIPTION	REGD NO.
1	KT03-001	CAP, HUB	2	19	KT03-019	NUT FLANGE M12	8
2	KT03-002	COTTER PIN 2.5X35	2	20	KT03-020	ROD END BEARING M12	8
3	KT03-003	NUT CASTLE M14	2	21	KT03-021	BOLT HHFS M12X42	8
4	KT03-004	WASHER	2	22	KT03-022	BOLT M8X1.25	4
5	KT03-005	BUSHING BRASS	2	23	KT03-023	BALL JOINT	2
6	KT03-006	BEARING SEAL	2	24	KT03-024	LOCKING WASHER	4
7	KT03-007	BEARING	2	25	KT03-025	ALU-RIM. FR	2
8	KT03-008	NUT M10	8	26	KT03-026	TIRE. FR	2
9	KT03-009	FR. WHEEL ASSY. LH	1	27	KT03-027	COTTER PIN, 2X20	2
10	KT03-010	WHEEL HUB WITH STUDS	2	28	KT03-028	SHOCK FRONT	2
11	KT03-011	WHEEL NUT	8	29	KT03-029	NUT M10	8
12	KT03-012	BRAKE DISK	2	30	KT03-030	BOLT M10X1.25X45	4
13	KT03-013	BOLT M6X12	12	31	KT03-031	FR. WHEEL ASSY. RH.	1
14	KT03-014	BEARING	2	32	KT03-032-1	A-ARM LOWER, LH.	1
15	KT03-015	BEARING SEAL	2		KT03-032-2	A-ARM LOWER, RH.	1
16	KT03-016	BUSHING BRASS	2	33	KT03-033	NUT, M10	2
17	KT03-017-1	SPINDLE FRONT LH	1	34	KT03-034-1	FRONT RIGHT FENDER ASSEMBLY (WITH STAND,BOLTS)	1
	KT03-017-2	SPINDLE FRONT LH	1		KT03-034-2	FRONT LEFT FENDER ASSEMBLY (WITH STAND,BOLTS)	1
18	KT03-018	A-ARM UPPER	2				

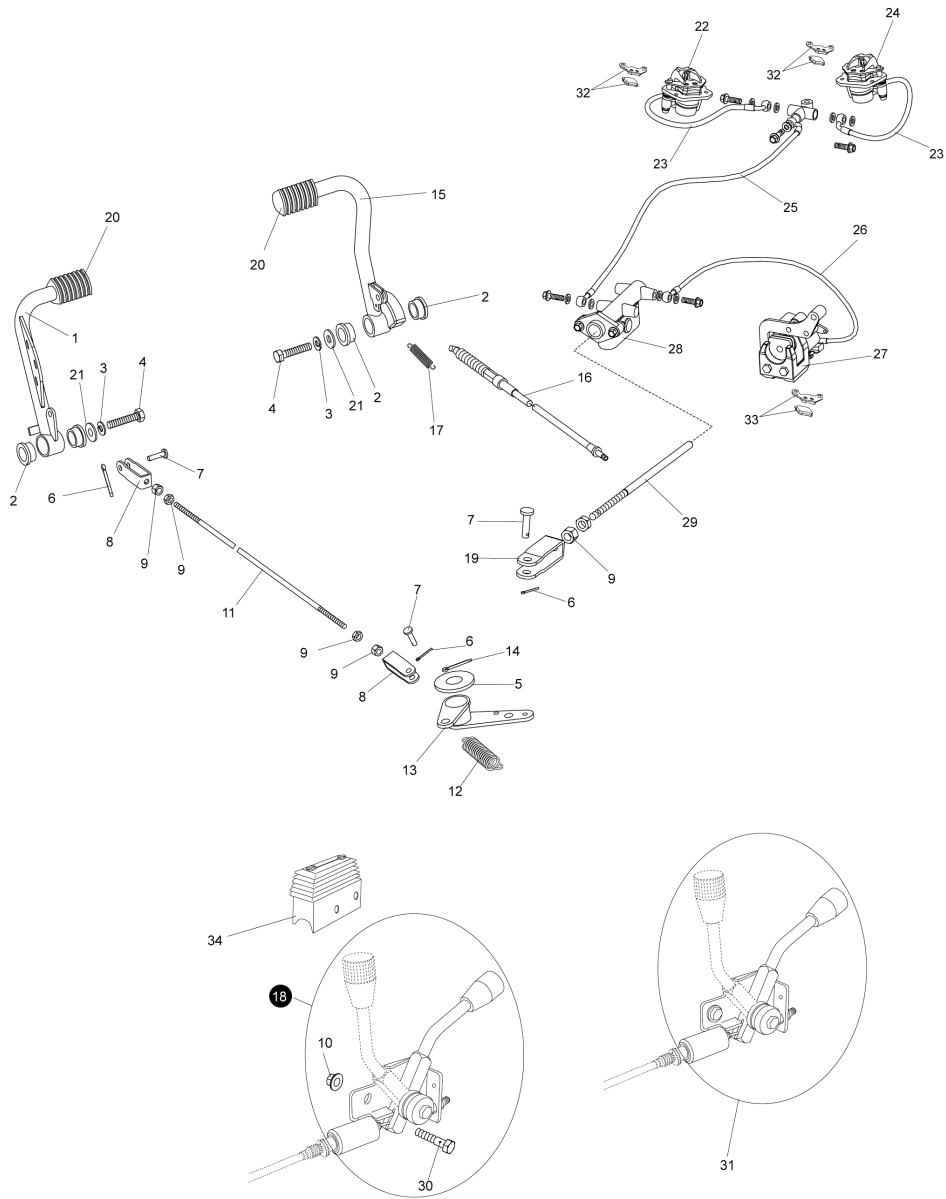
Rear Housing



REF No.	MFG No.	DESCRIPTION	REGD NO.
1	KT05-001	CAP, HUB	2
2	KT05-002	PIN SPECIAL3X40	2
3	KT05-003	NUT FLANGE M16X1.5	2
4	KT05-004	WASHER 16	2
5	KT05-005	DUST COVER	2
6	KT05-006	NUT FLANGE M8	8
7	KT05-007	RR. TIRE. ASSY. LH	1
8	KT05-008	WHEEL HUB WITH STUDS	2
9	KT05-009	WHEEL HUB WITH STUDS NUT	8
10	KT05-010	BOLT M8X60	6
11	KT05-011	DUST SEAT	4
12	KT05-012	BEARING	2
13	KT05-013	BEARING BASE	2

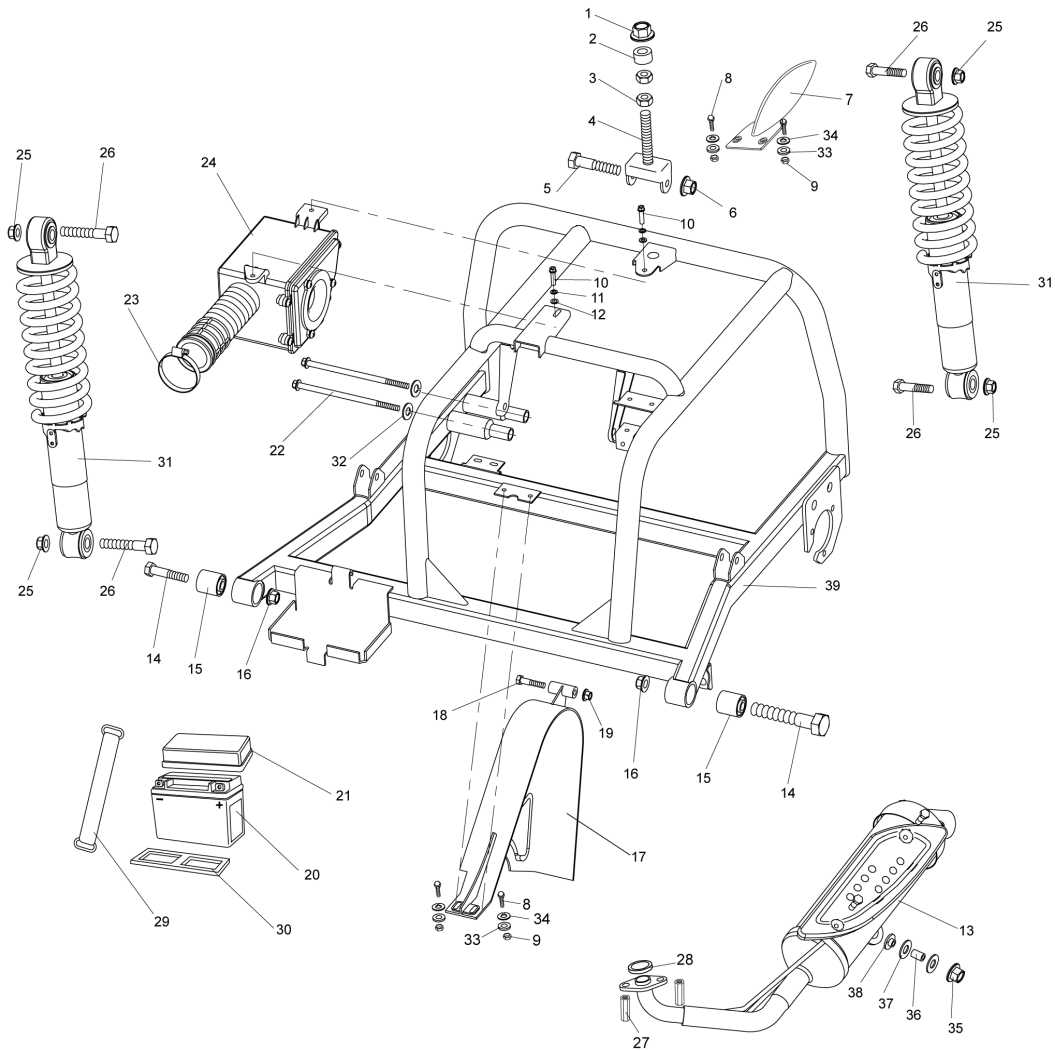
REF No.	MFG No.	DESCRIPTION	REGD NO.
14	KT05-014	NUT M8	1
15	KT05-015	BOLT HHFS M8 X 25	6
16	KT05-016	SPROCKET, DRIVEN	1
17	KT05-017	AXLE	1
18	KT05-018	BRAKE DISC	1
19	KT05-019	ALU-RIM, RR.	2
20	KT05-020	TIRE, RR.	2
21	KT05-021	RR. TIRE ASSY. RH	1
22	KT05-022	WASHER $\phi 8$	3
23	KT05-023-1	REAR RIGHT FENDER ASSEMBLY (WITH STAND,BOLTS)	1
	KT05-023-2	REAR LEFT FENDER ASSEMBLY (WITH STAND,BOLTS)	1
24	KT05-024	DOUBLE ROW CHAIN	1

Brake Systems / Pedals



REF No.	MFG No.	DESCRIPTION	REGD NO.	REF No.	MFG No.	DESCRIPTION	REGD NO.
1	KT08-001	BRAKE PEDAL	1	18	KT08-018	HAND BRAKE BAR COMP.	1
2	KT08-002	PEDAL BUSH	4	19	KT08-019	U-JOINER #2	1
3	KT08-003	WASHER Φ8	2	20	KT08-020	PEDAL COVER	2
4	KT08-004	BOLT M8x16	2	21	KT08-021	BUSH 8	2
5	KT08-005	WASHER Φ12	1	22	KT08-022	FRONT BRAKE CALIPER. LH	1
6	KT08-006	COTTER PIN 2X20	3	23	KT08-023	OIL PIPE#1	1
7	KT08-007	AXIS PIN	3	24	KT08-024	FRONT BRAKE CALIPER.RH	1
8	KT08-008	U-JOINER	2	25	KT08-025	OIL PIPE#2	1
9	KT08-009	HEX NUT M6	4	26	KT08-026	OIL PIPE#3	1
10	KT08-010	LOCKING NYLON NUT M8	4	27	KT08-027	CALIPER ASSY. RR	1
11	KT08-011	REAR BRAKE TENSION ROD	1	28	KT08-028	MASTER CYLINDER	1
12	KT08-012	REAR BRAKE RETURN SPRING	1	29	KT08-029	SPINDLE PIN	1
13	KT08-013	BRAKE ARM	1	30	KT08-030	LOCKING NYLON NUT M8	2
14	KT08-014	COTTER PIN 2.5X35	1	31	KT08-031	REVERSE BAR COMP.	1
15	KT08-015	GAS PADEL	1	32	KT08-032	FR. BRAKE PADS, FR. BRAKE PUM	2
16	KT08-016	THROTTLE CABLE	1	33	KT08-033	BRAKE PADS, RR. BRAKE PUMP	1
17	KT08-017	THROTTLE RETURN SPRING	1	34	KT08-034	REVERSE LEVER COVER	2

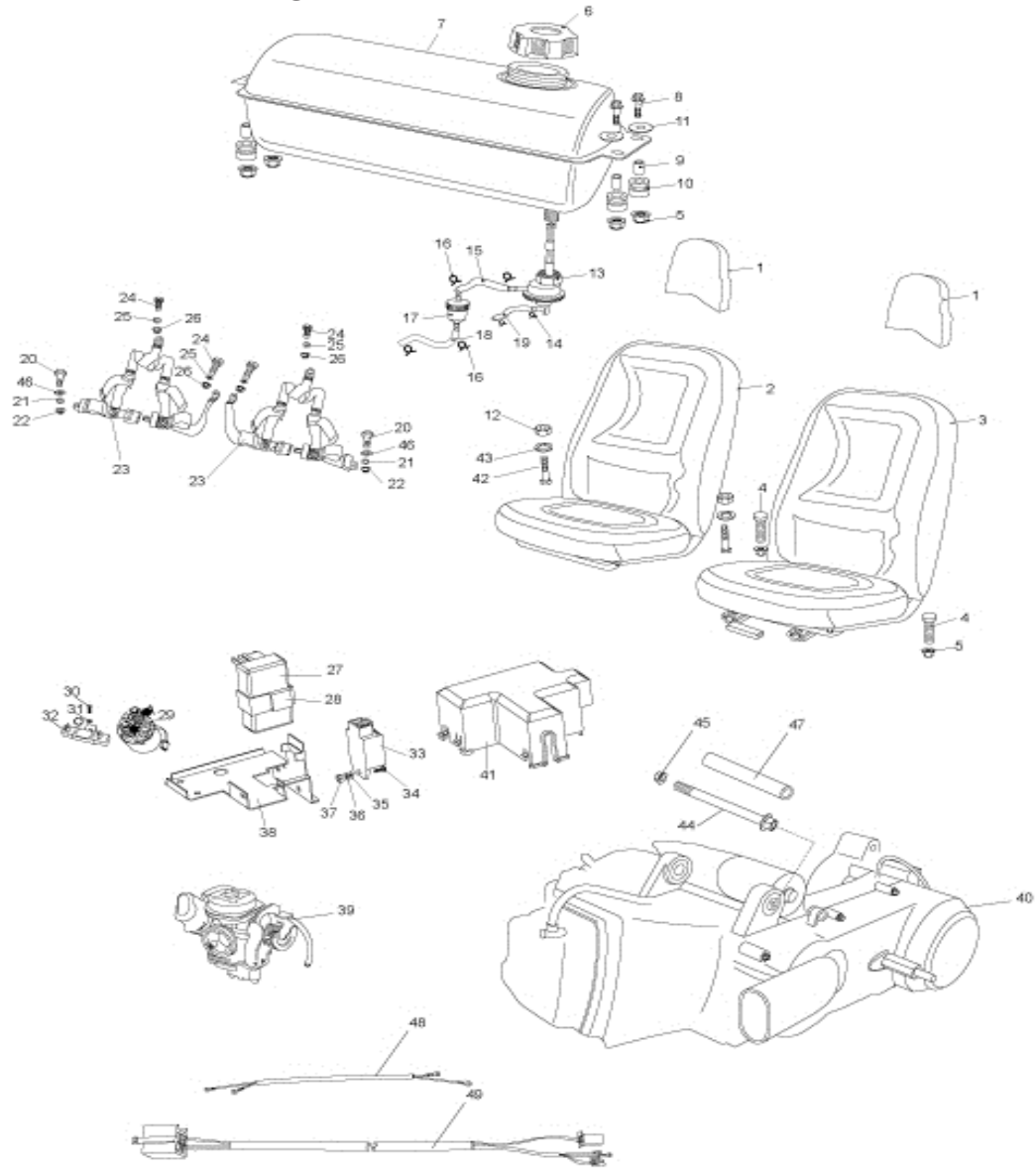
Rear Swing Arm



REF No.	MFG No.	DESCRIPTION	REGD NO.
1	KT06-001	NUT FLANGE M12X1.25	1
2	KT06-002	ENGINE MOUNT SPACER LINK	1
3	KT06-003	JAM NUT M12	2
4	KT06-004	RR. ENGINE BRACKET	1
5	KT06-005	FLANGE BOLT M10x1.25x70	1
6	KT06-006	LOCKNUT M10X1.25	1
7	KT06-007	REAR DISC COVER	1
8	KT06-008	FLANGE BOLT M6x16	4
9	KT06-009	LOCKING NYLON NUT, M6	4
10	KT06-010	BOLT M6X20	2
11	KT06-011	LOCKING WASHER	2
12	KT06-012	WASHER Φ6	2
13	KT06-013	MUFFLER (W/ 3 WAY CATALYS	1
14	KT06-014	BOLT M12X1.25X60	2
15	KT06-015	RUBBER BUSH, RR. SWINGARM	2
16	KT06-016	NUT M12	2
17	KT06-017	GUARD, CHAIN	1
18	KT06-018	BOLT, HHFS M8X60	1
19	KT06-019	NUT FLANGE M8	1
20	KT06-020	BATTERY	1

REF No.	MFG No.	DESCRIPTION	REGD NO.
21	KT06-021	BATTERY COVER	1
22	KT06-022	STRAP BOLT M8x1.25x170	2
23	KT06-023	AIR CLEANER CLAMP	1
24	KT06-024	AIR CLEANER ASSY.	1
25	KT06-025	NUT M10	4
26	KT06-026	BOLT M10X1.25X45	4
27	KT06-027	MUFFLER JOINT NUT M6	2
28	KT06-028	GASKET EXHAUST PIPE	1
29	KT06-029	BATTERY BAND	1
30	KT06-030	BATTERY LOWER	1
31	KT06-031	REAR SHOCK	2
32	KT06-032	LOCKING WASHER Φ10	2
33	KT06-033	WASHER Φ6	4
34	KT06-034	LOCKING WASHER	4
35	KT06-035	NUT M10	1
36	KT06-036	BUSHING	1
37	KT06-037	WASHER Φ10	2
38	KT06-038	RUBBER BUSHING	1
39	KT06-039	REAR SWING ARM	1

Engine / Seat Belt / Electricals



REF No.	MFG No.	DESCRIPTION	REGD NO.
1	KT07-001	HEAD REST	2
2	KT07-002	PESSENGER SEAT	1
3	KT07-003	DRIVER SEAT	1
4	KT07-004	SEAT BOLT	2
5	KT07-005	NUT	6
6	KT07-006	FUEL TANK CAP COMP.	1
7	KT07-007	FUEL TANK COMP.	1
8	KT07-008	BOLT WASHER M8X45	4
9	KT07-009	TANK COMP. COLLR	4
10	KT07-010	RUBBER MOUNT	4
11	KT07-011	FLAT WASHER Φ8	4
12	KT07-012	WASHER NUT Φ8	2
13	KT07-013	FUEL AUTO COCK ASSY	2
14	KT07-014	FUEL TUBE CLIP	2
15	KT07-015	FUEL #1 TUBE COMP.	1
16	KT07-016	FUEL TUBE CLIP	4
17	KT07-017	GAS FILTER	1
18	KT07-018	FUEL #2 TUBE COMP.	1
19	KT07-019	VACUUM TUBE COMP.	1
20	KT07-020	BOLT M12X30	2
21	KT07-021	WASHER Φ12	2
22	KT07-022	NUT M12	2
23	KT07-023	SAFETY BELT	2
24	KT07-024	BOLT M10X20	4
25	KT07-025	WASHER	4

REF No.	MFG No.	DESCRIPTION	REGD NO.
25	KT07-025	WASHER	4
26	KT07-026	NUT M10	4
27	KT07-027	C.D.I. UNIT COMP.	1
28	KT07-028	C.D.I. UNIT BELT	1
29	KT07-029	STARTING RELAY	1
30	KT07-030	BOLT M4X10	1
31	KT07-031	NUT	1
32	KT07-032	RESISTOR COMP.	1
33	KT07-033	REGULATE RECTIFIER COMP	1
34	KT07-034	BOLT	1
35	KT07-035	WASHER	1
36	KT07-036	LOCKING WASHER	1
37	KT07-037	NUT	1
38	KT07-038	FIXING PLATE, ELECTRICA B	1
39	KT07-039	CARBURETOR	1
40	KT07-040	ENGINE COMP.	1
41	KT07-041	ELECTRIC ASSY. COVER	1
42	KT07-042	BOLT M8X60	2
43	KT07-043	SPRING WASHER	2
44	KT07-044	BOLT M10X195	1
45	KT07-045	NUT M10	1
46	KT07-046	SPRING WASHERΦ12	2
47	KT07-047	FR. FIXING COLLAR, ENGINE	1
48	KT07-048	MAIN WIRING HARNESS	1
49	KT07-049	SECOND WIRING HARNESS	1