



2012-2016 GTS150

10th letter in VIN: C-G



FOR OFF-ROAD USE ONLY

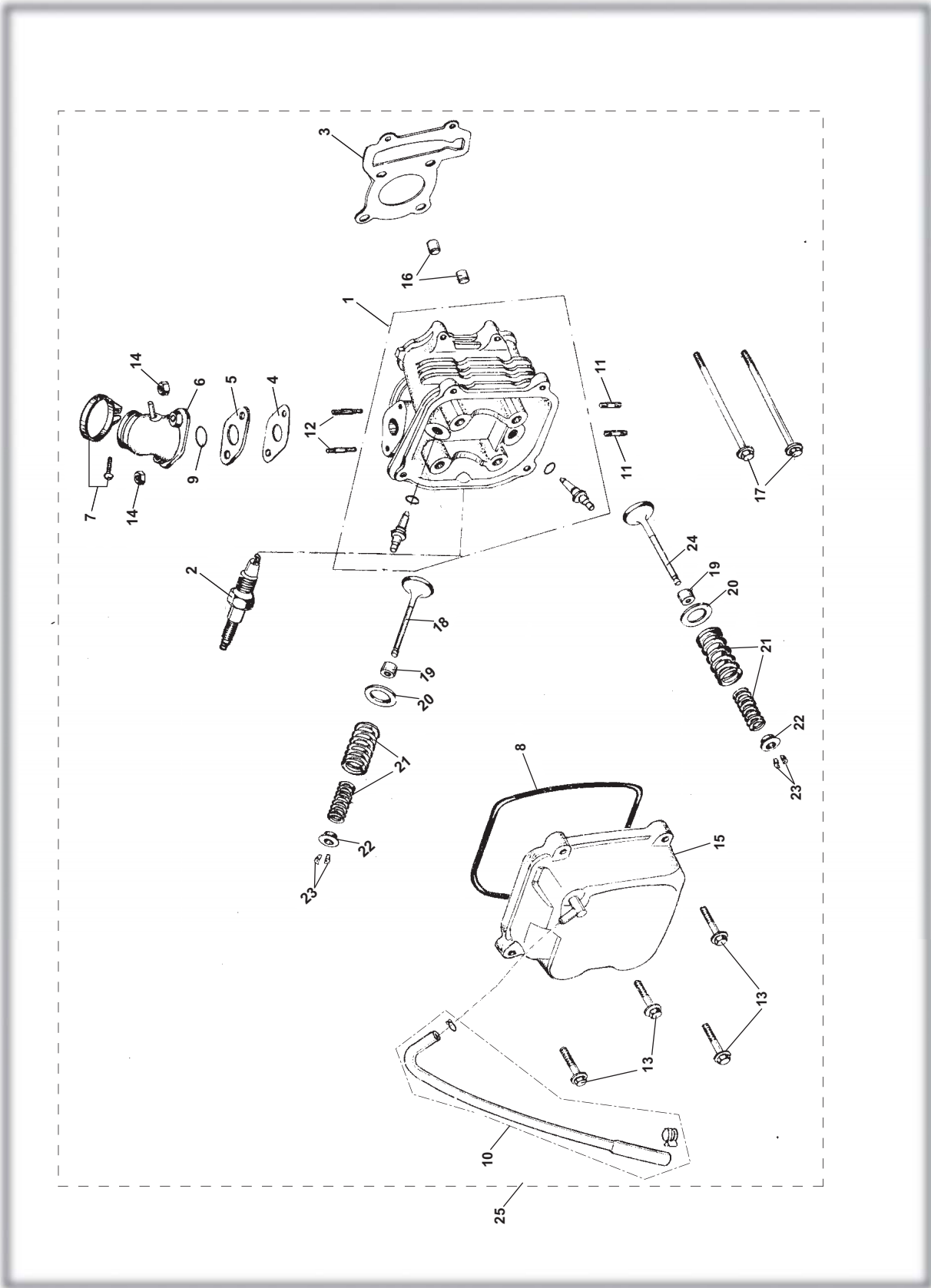
This vehicle is designed and manufactured for off-road use only.

USA only:

It does not conform to Federal Motor Vehicle Safety Standards, and in regards to operation on public streets, roads, or highways is illegal.

FIG.1

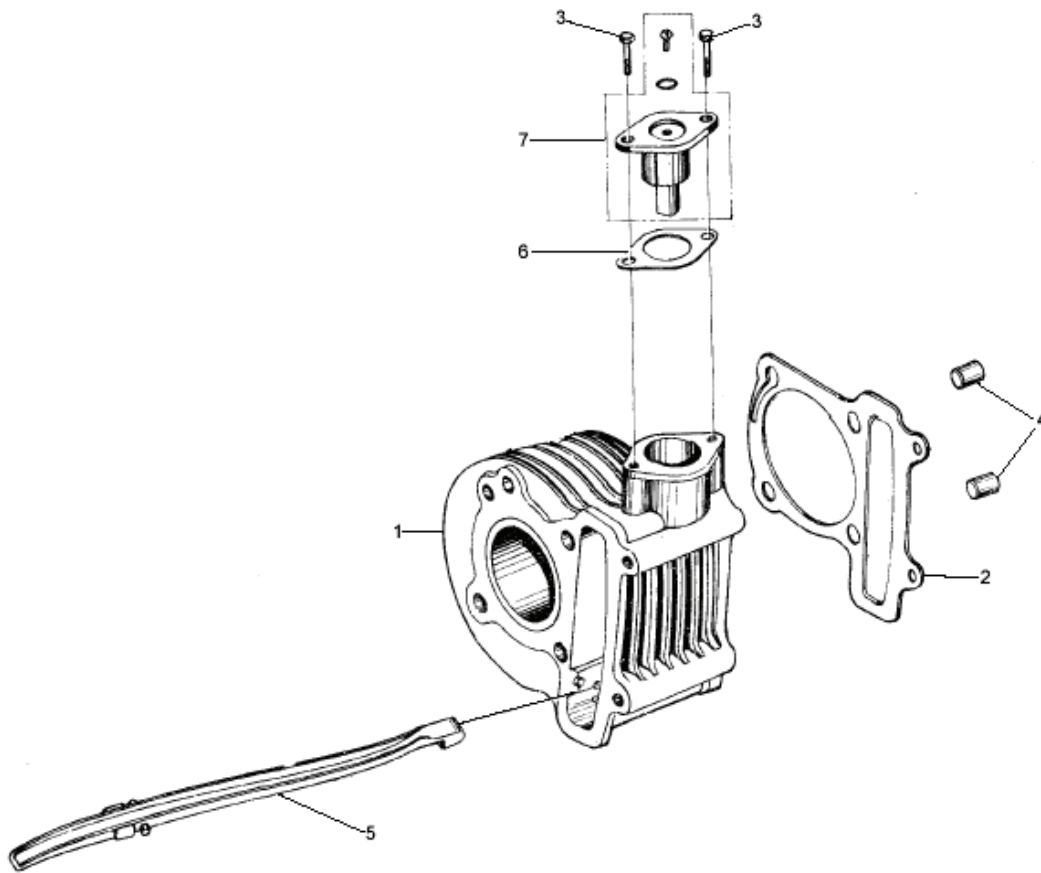
CYLINDER HEAD ASSY.



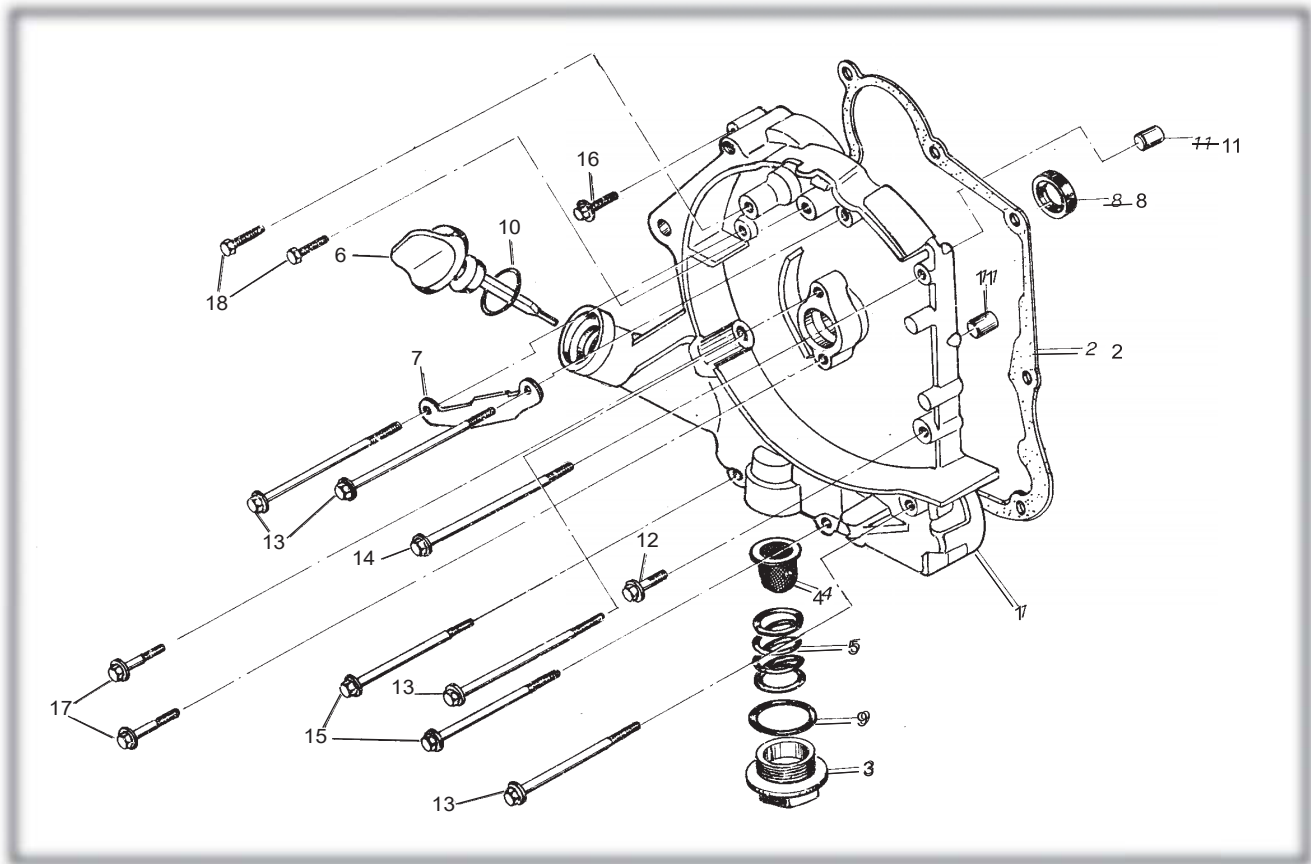
CYLINDER HEAD ASSY.				
REF NO.	PART NO.	DESCRIPTION	REGD NO.	
1	M150-100-1320	CYLINDER HEAD	1	
2	98056-57713-00	SPARK PLUG (C7HSA NGK)	1	
3	M150-1001010	CYLINDER HEAD GASKET	1	
4	M150-3050352	CARBURETOR INSULATOR GASKET	1	
5	M150-1001005	CARBURETOR INSULATOR	1	
6	M150-1001210	PIPE COMP. IN	1	
7	M150-1001220	INSULATOR BAND	1	
8	M150-1001103	HEAD COVER GASKET	1	
9	M150-1001201	O-RING 27X2	1	
10	M150-1001001	BREATHER TUBE	1	
11	M150-1001011	STUD BOLT M6X18	2	
12	M150-1001006	STUD BOLT M6X50	2	
13	M150-B-1003075	FLANGE BOLT M6X25	4	
14	95500-06001-KAS	NUT FLANGE M6-ZN. D	2	
15	M150-1001100	CYLINDER HEAD COVER COMP.	1	
16	M150-1001007	DOWEL PIN 10X16	2	
17	M150-1003007	CYLINDER HEAD BOLT FLANGE M6X100	2	
18	M150-1001301-N	INTAKE VALVE	1	
19	M150-1001310	VALVE STEM SEAL	2	
20	M150-1001302	VALVE SPRING OUTER SEAT	2	
21	M150-1001303	VALVE OUTER, INNER SPRING	2	
22	M150-1001305	VALVE SPRING RETAINER	2	
23	M150-1001306	VALVE COTTER	4	
24	M150-1001307-N	EXHAUST VALVE	1	
25	M150-100-1320-C	CYLINDER HEAD ASSY**	1	
		**does not include valve cover/hardware, intake/hardware , and spark plug		

FIG.2

CYLINDER



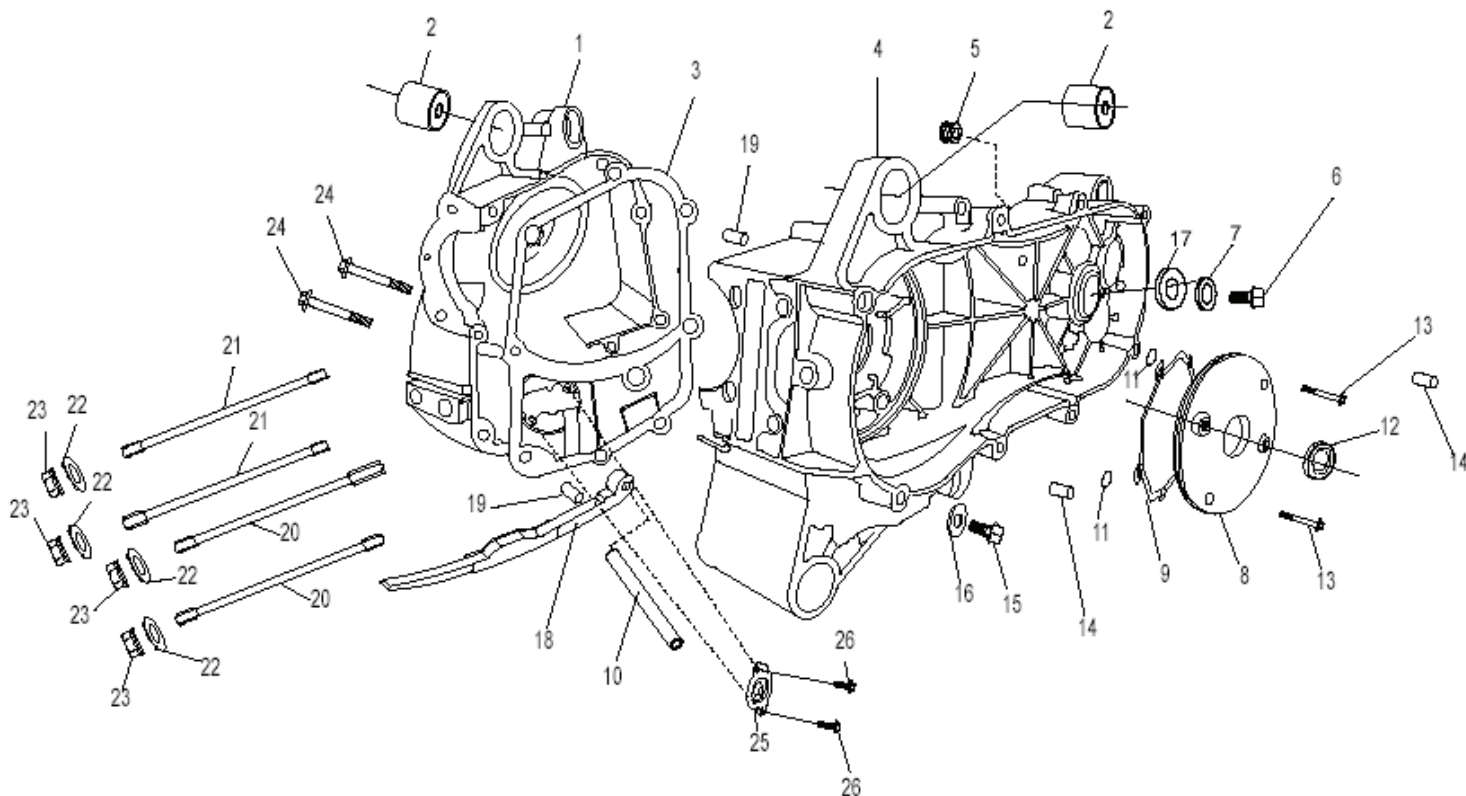
Ref No	Part No	Description	QTY
1	M150-1002200	Head, Cylinder - 150cc	1
2	M150-3050351	Gasket, Cyl Head Low er - 150cc	1
3	96001-06020-KAT	Bolt, M6 x 1.00 x 22 FHCS	2
4	M150-1001007	Pin, M10 x 16 Dow el	2
5	M150-1002300	Tensioner Guide, Cam Chain - 150cc	1
6	M150-3050347	Gasket, Cam Chain Tensioner - 150cc	1
7	M150-1002100	Asm, Cam Chain Tensioner - 150cc	1

CRANKCASE ASSY. (1)**CRANKCASE ASSY.(1)**

REF NO.	PART NO.	DESCRIPTION	REGD NO.	
1	M150-1003101	R CRANKCASE COVER COMP.	1	
2	M150-3050350	CRANKCASE COVER GASKET	1	
3	M150-1003104	CAP TAPPET ADJUSTING HOLE	1	
4	M150-1003120	OIL FILTING SCREEN	1	
5	M150-1003102	OIL FILTING SCREEN SPRING	1	
6	M150-1003105	OIL LEVEL GAUGE	1	
7	M150-1003006	AC GENERATOR CORD CLAMPER	1	
8	M150-1003110	OIL SEAL 19.8X30X5	1	
9	M150-1003103	O-RING 30.8X3	1	
10	M150-1003307	O-RING 18X3	1	
11	M150-1003005	DOWEL PIN 8X14	2	
12	96001-06032-KAT	FLANGE BOLT M6X28	1	
13	M150-1003012	FLANGE BOLT M6X95	4	
14	M150-1003007	FLANGE BOLT M6X100	1	
15	M150-1003008	FLANGE BOLT M6X110	2	
16	M150-1003034	FLANGE BOLT M6X35	1	
17	M150-1003106	FLANGE BOLT M6X20	2	
18	92101-05012-OH	HEX BOLT M5X12-ZN.D	2	

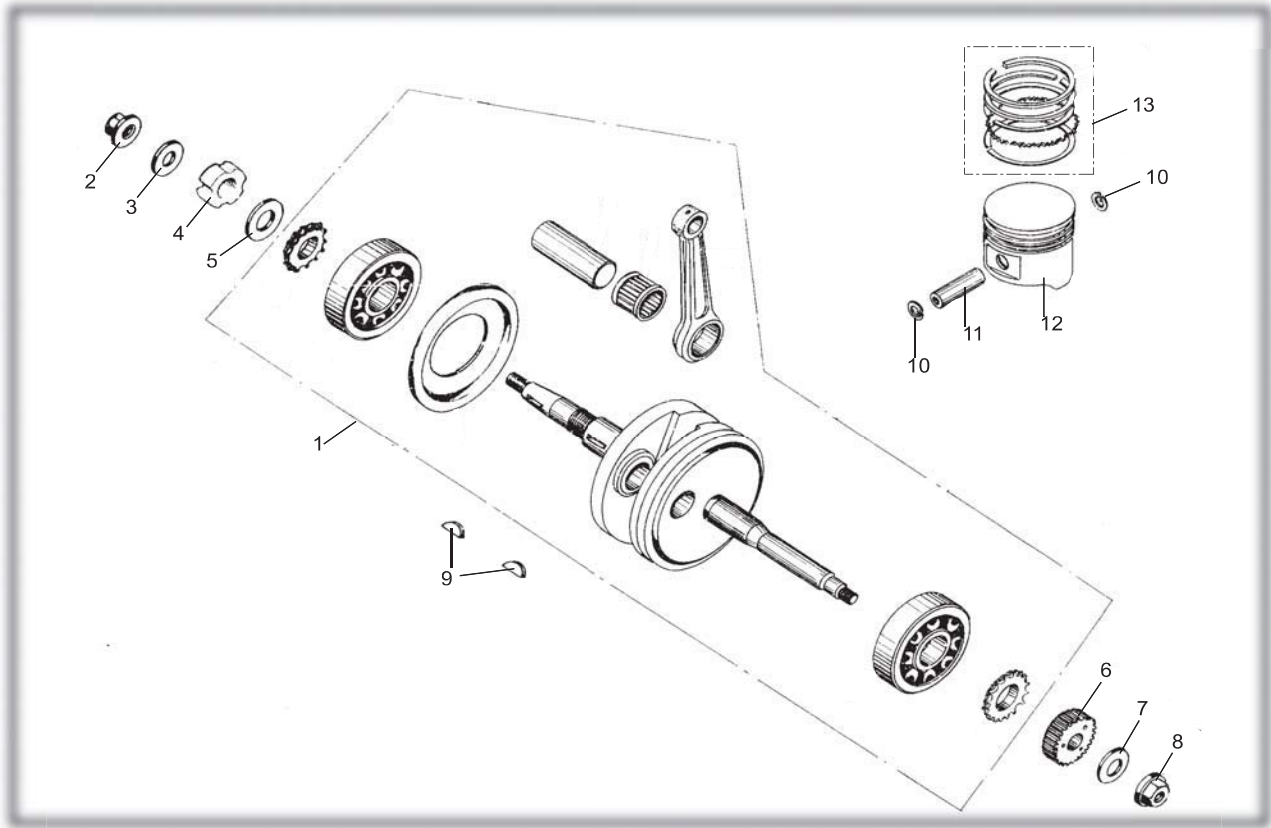
FIG.4

ENGINE CRANKCASE



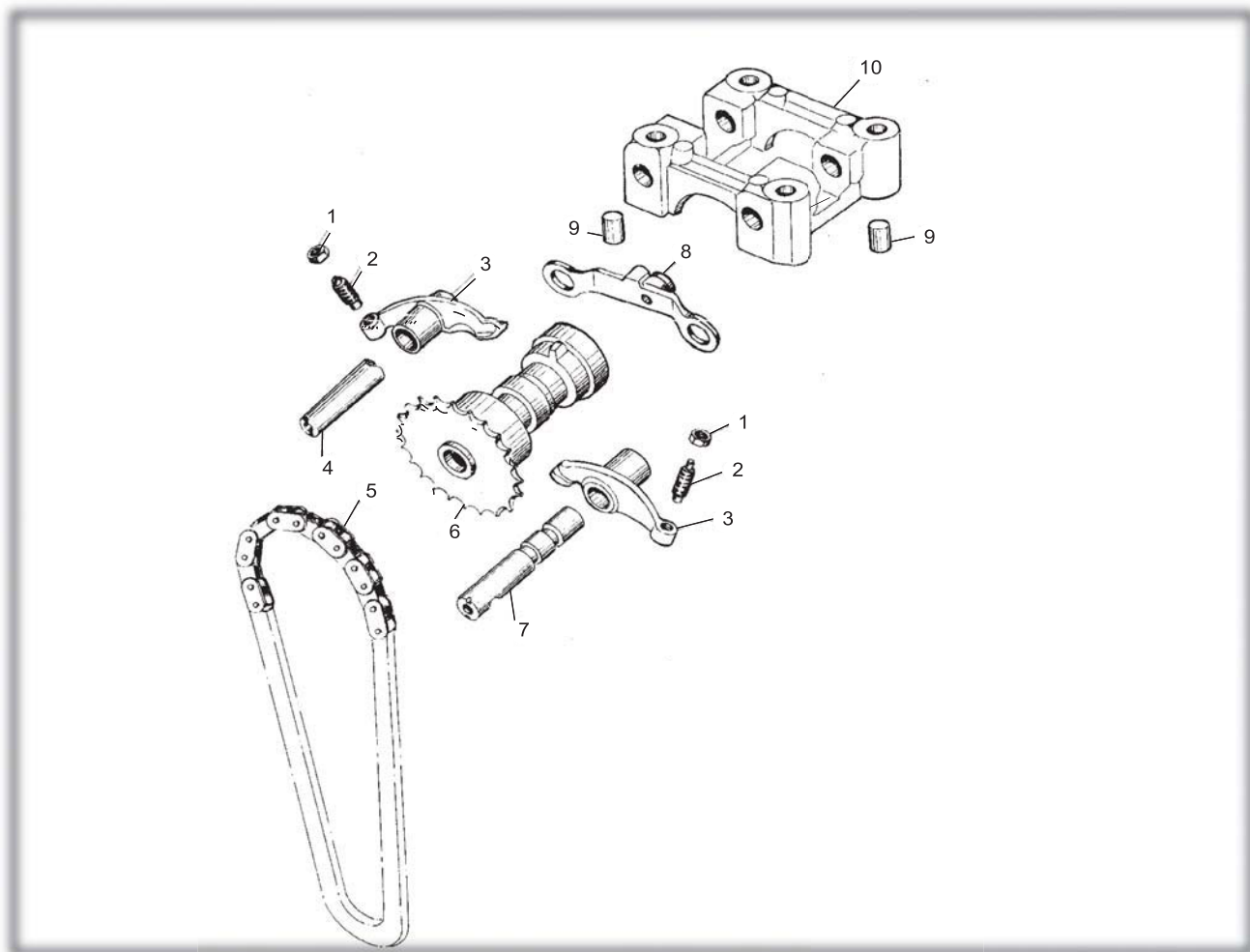
Ref No	Part No	Description	QTY	Ref No	Part No	Description	QTY
1	14277	Housing, Crankcase RH - 150cc	1	14	14287	Pin, M10 x 14 Dow el	2
2	14278	Bushing, Engine Hanger - 150cc	2	15	M150-1003018	Bolt, M12 x 1.5 Special	1
3	M150-3050348	Gasket, Crankcase - 150cc	1	16	M150-1003019	Washer, M12 Flat	2
4	14280	Housing, Crankcase LH - 150cc	1	17	M150-1042000	Seal, M20 x 32 x 6	2
5	14558	Grommet	1	18	M150-1003500	Tensioner, Cam Chain - 150cc	1
6	14281	Bolt, M10 x 1.25 x 15 FHCS	1	19	M150-1003005	Pin, M8 x 14 Dow el	2
7	14282	Washer, M10.2 x 18 x 1.3 Flat	1	20	M150-1003002	Stud, M8 x 1.25 x 195.5	2
8	14283	Cover, Small Left	1	21	M150-1003001	Stud, M8 x 1.25 x 187.5	2
9	14284	O-Ring, M108 x 2	1	22	M150-1003004	Washer, M8 Flat	4
10	14559	Pin	1	23	M150-1003003	Nut, M8 x 1.25 Flange Head	4
11	14285	O-Ring, M6 x 1.8	2	24	M150-1003032	Bolt, M6 x 1.00 x 50 FHCS	2
12	M150-1003110	Seal, M19.8 x 30 x 5	1	25	M150-1003202	Spacer, Oil - 150cc	1
13	14286	Bolt, M6 x 1.00 x 18 FHCS	4	26	M150-1003203	Bolt, M6 x 1.00 x 12 FHCS	2

CRANKSHAFT CON'ROD & PISTON ASSY.



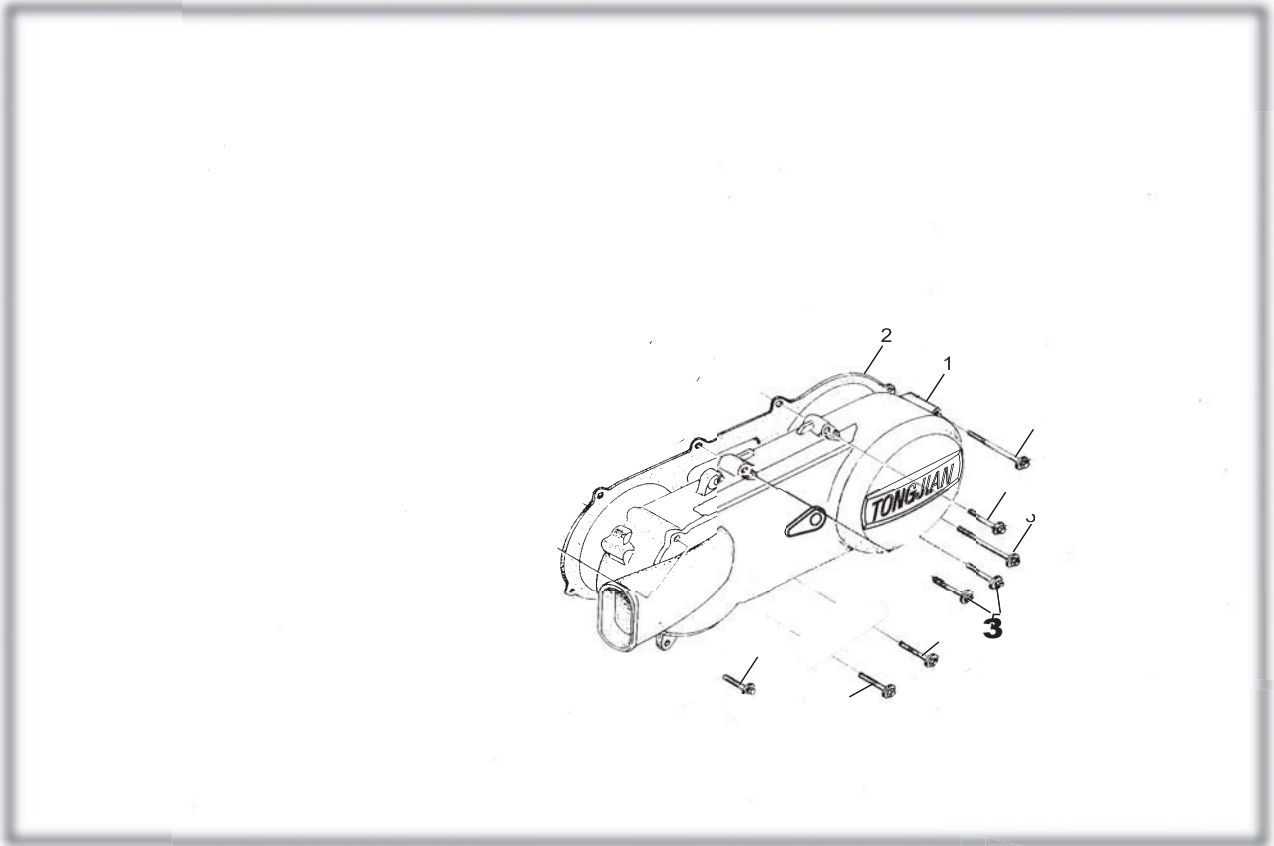
CRANKSHAFT CON'ROD & PISTON ASSY.				
REF NO.	PART NO.	DESCRIPTION	REGD NO.	
1	M150-1004100-N	CRANKSHAFT & CONROD ASSY.	1	
2	M150-1004007	NUT M12X1.25	1	
3	M150-1004011	WASHER 12-149HV 12-140HV	1	
4	M150-1004009	LOCKING NUT (left hand thread)	1	
5	M150-1004013	WASHER	1	
6	M150-1004012	KICK DRIVE GEAR	1	
7	M150-1040005	WASHER $\Phi 12$	1	
8	M150-1004008	NUT M12	1	
9	M150-1004002	WOODRUFF KEY	2	
10	M150-1004003	PISTON PIN CLIP	2	
11	M150-1004006	PISTON PIN	1	
12	M150-1004001	PISTON	1	
13	M150-1004200	PISTON RING SET	1	

CAMSHAFT ASSY.



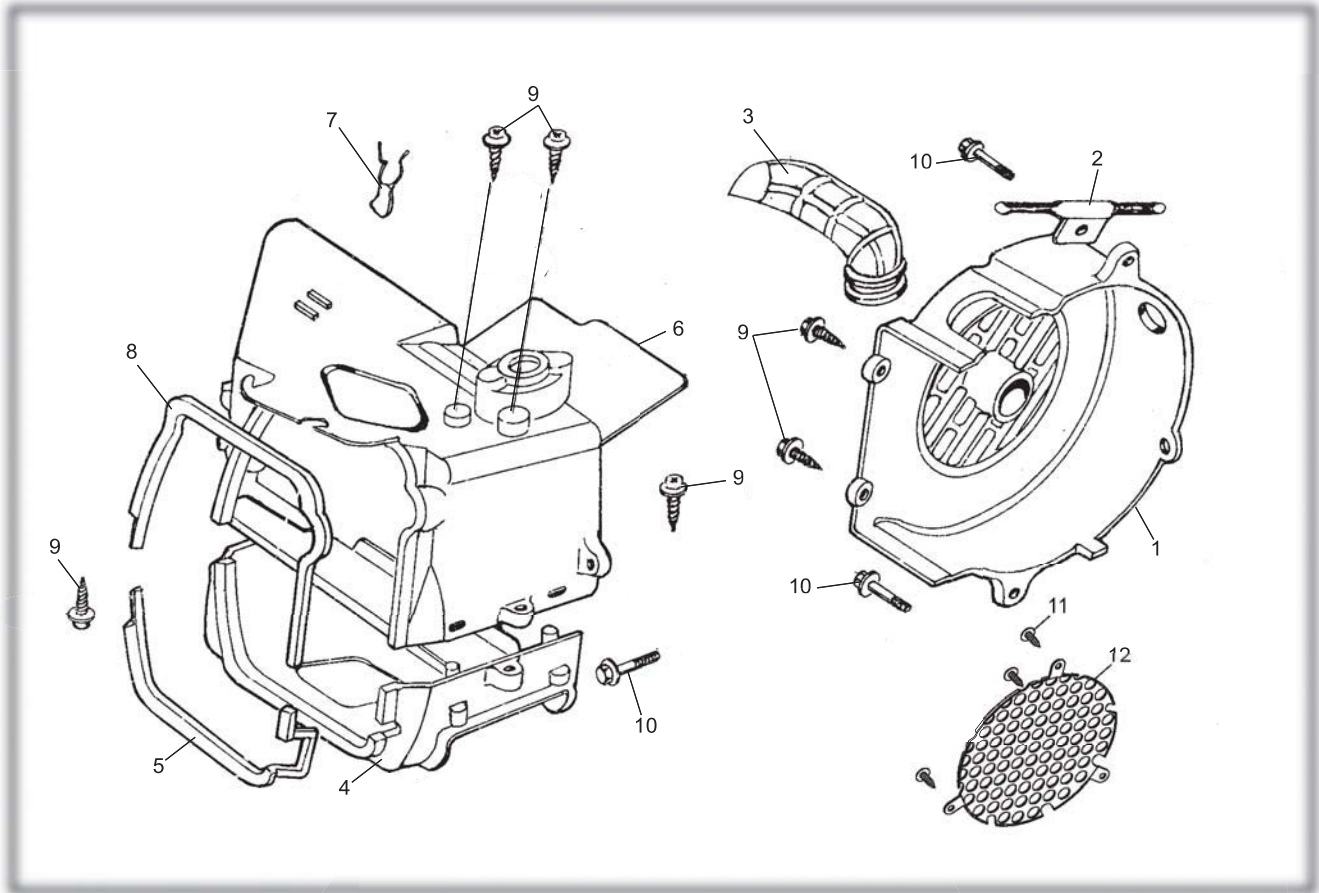
CAMSHAFT ASSY.				
REF NO.	PART NO.	DESCRIPTION	REGD NO.	
1	M150-1005004	TAPPET ADJUSTING NUT	2	
2	M150-1005003	TAPPET ADJUSTING SCREW	2	
3	M150-1005002	VALVE ROCKER ARM	2	
4	M150-1005005	EX ROCKER ARM SHAFT	1	
5	M150-1005400	CAMSHAFT CHAIN	1	
6	M150-1005300-N	CAMSHAFT COMP. 16T	1	
7	M150-1005200	IN ROCK ARM SHAFT COMP.	1	
8	M150-1005100	STOPPER PLATE COMP.	1	
9	M150-1001007	DOWEL PIN 10X16	2	
10	M150-1005001-N	CAMSHAFT HOLDER	1	

LEFT COVER ASSY.



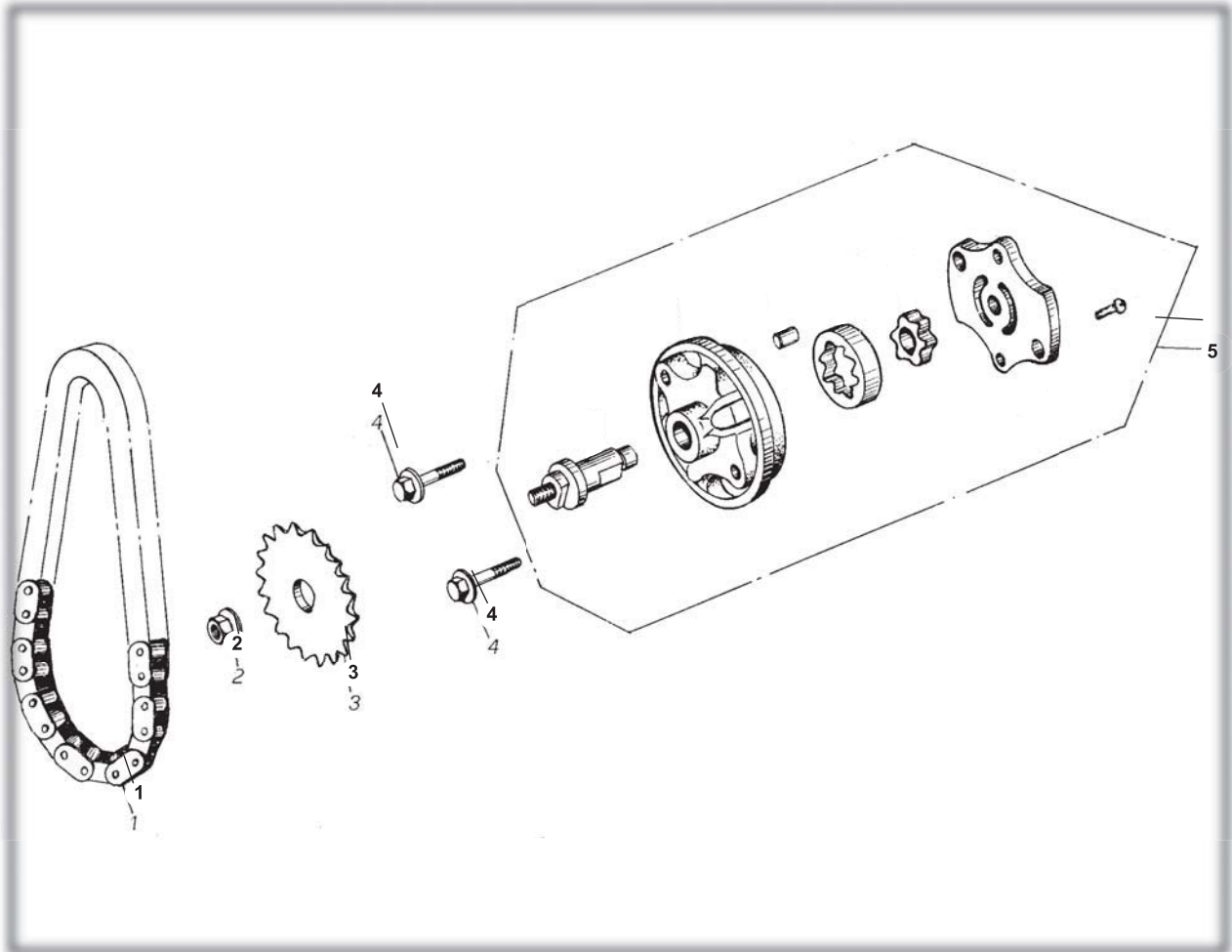
LEFT COVER ASSY.				
REF NO.	PART NO.	DESCRIPTION	REGD NO.	
1	M150-1008101-N	COVER L	1	
2	M150-3050353	L COVER GASKET	1	
3	9.106.040	FLANGE BOLT M6X40	8	

FAN COVER AND SHROUD ASSY.



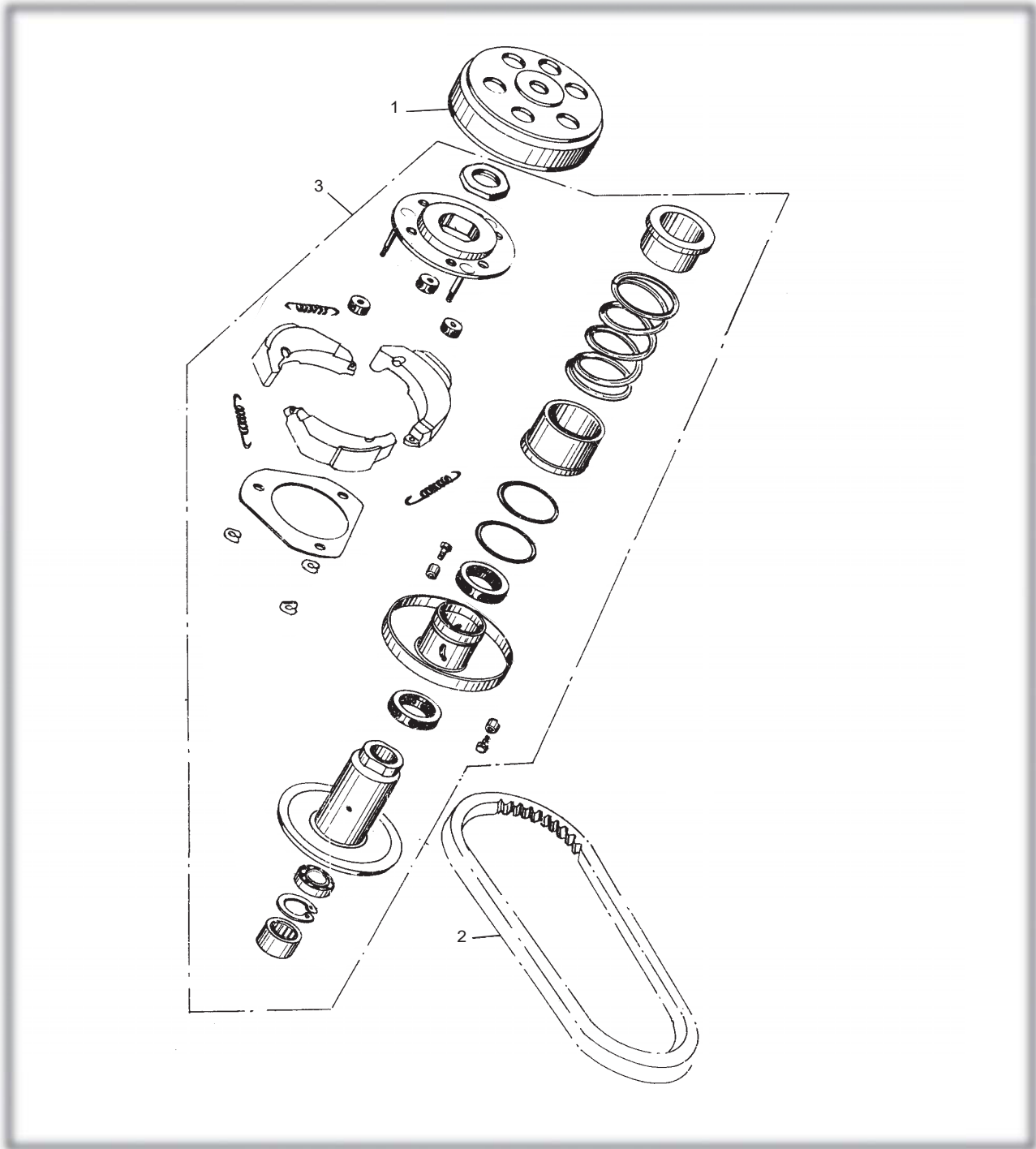
FAN COVER AND SHROUD ASSY.				
REF NO.	PART NO.	DESCRIPTION	REGD NO.	
1	M150-1009410	FAN COVER COMP.	1	
2	M150-1009002	STARTER CABLE CLAMPER	1	
3	M150-1009401	FAN SHROUD COOLING DUCT	1	
4	M150-1009301	LOWER SHROUD	1	
5	M150-1009302	LOWER SHROUD SEAL	1	
6	M150-1009110	UPPER SHROUD COMP.	1	
7	M150-1009103	HIGH TENSION CORD CLIP	1	
8	M150-1009102	UPPER SHROUD SEAL	1	
9	M150-1009402	SCREW ST4.8X16-F	6	
10	M150-1003075	BOLT M6X25	3	
11	9.804.003	SCREW ST3.5×13-F	3	
12	8.020.179	DUST COVER	1	

OIL PUMP ASSY.



OIL PUMP ASSY.				
REF NO.	PART NO.	DESCRIPTION	REGD NO.	
1	M150-1021000	CHAIN OIL PUMP	1	
2	M150-1020002	NUT FLANGE M6	1	
3	M150-1020001	SPROCKET OIL PUMP DRIVEN	1	
4	M150-1003075	BOLT M6X25	2	
5	M150-1022000	OIL PUMP SUB ASSY.	1	

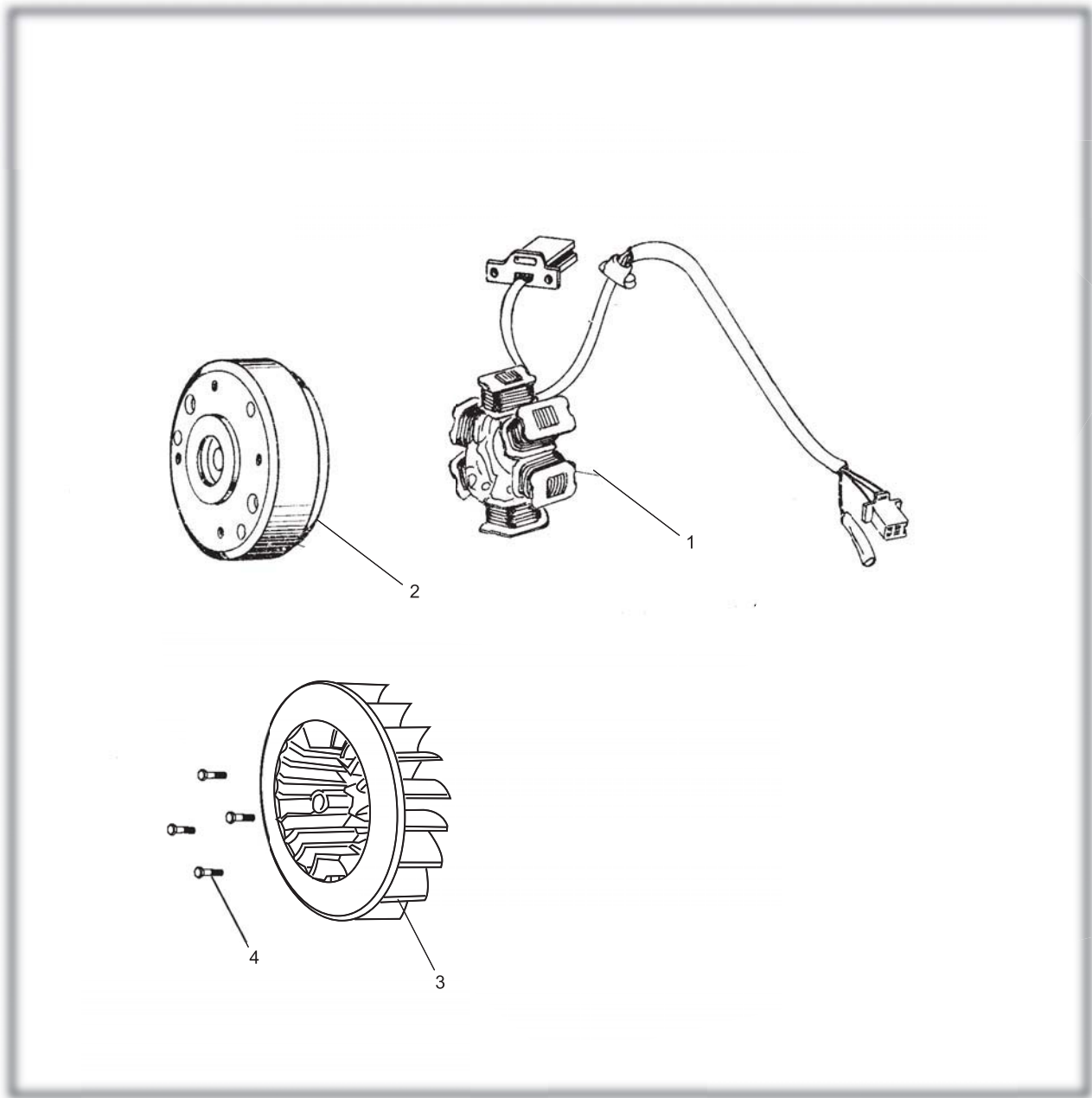
DRIVEN PULLEY AND CLUTCH SUBASSY.



DRIVEN PULLEY AND CLUTCH SUBASSY.

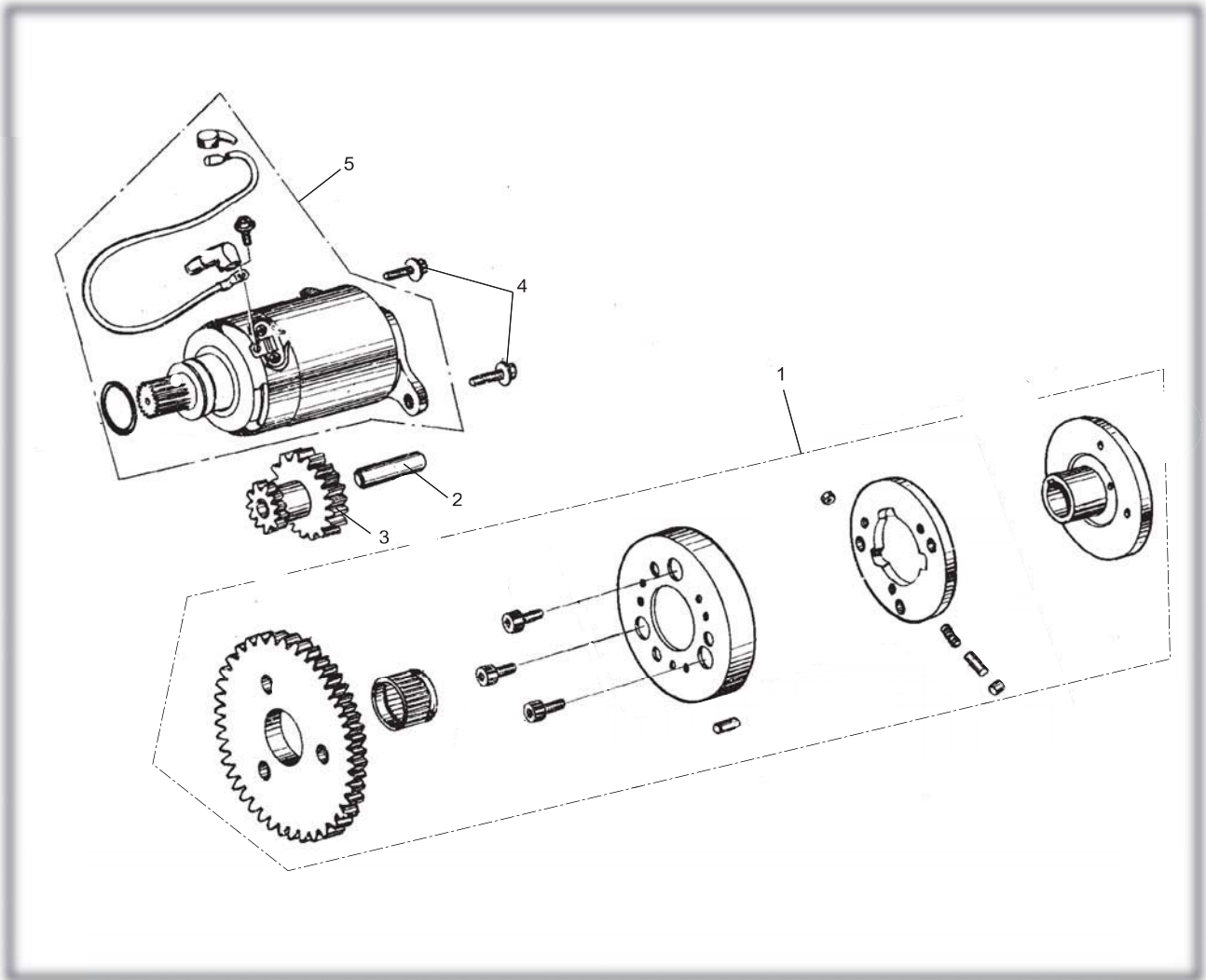
REF NO.	PART NO.	DESCRIPTION	REGD NO.	
1	M150-1032000	CLUTCH ASSY. OUTER	1	
2	M150-1033000	DRIVE BELT	1	
3	M150-1031000	DRIVEN PULLEY ASSY.	1	

ELECTRIC SYSTEM



ELECTRIC SYSTEM				
REF NO.	PART NO.	DESCRIPTION	REGD NO.	
1	M150-1051200	STATOR COMP.	1	
2	M150-1051100	FLYWHEEL COMP.	1	
3	M150-1051100-3	COOLING FAN COMP.	1	
4	M150-1051100-4	FLANGE BOLT M6x18	4	

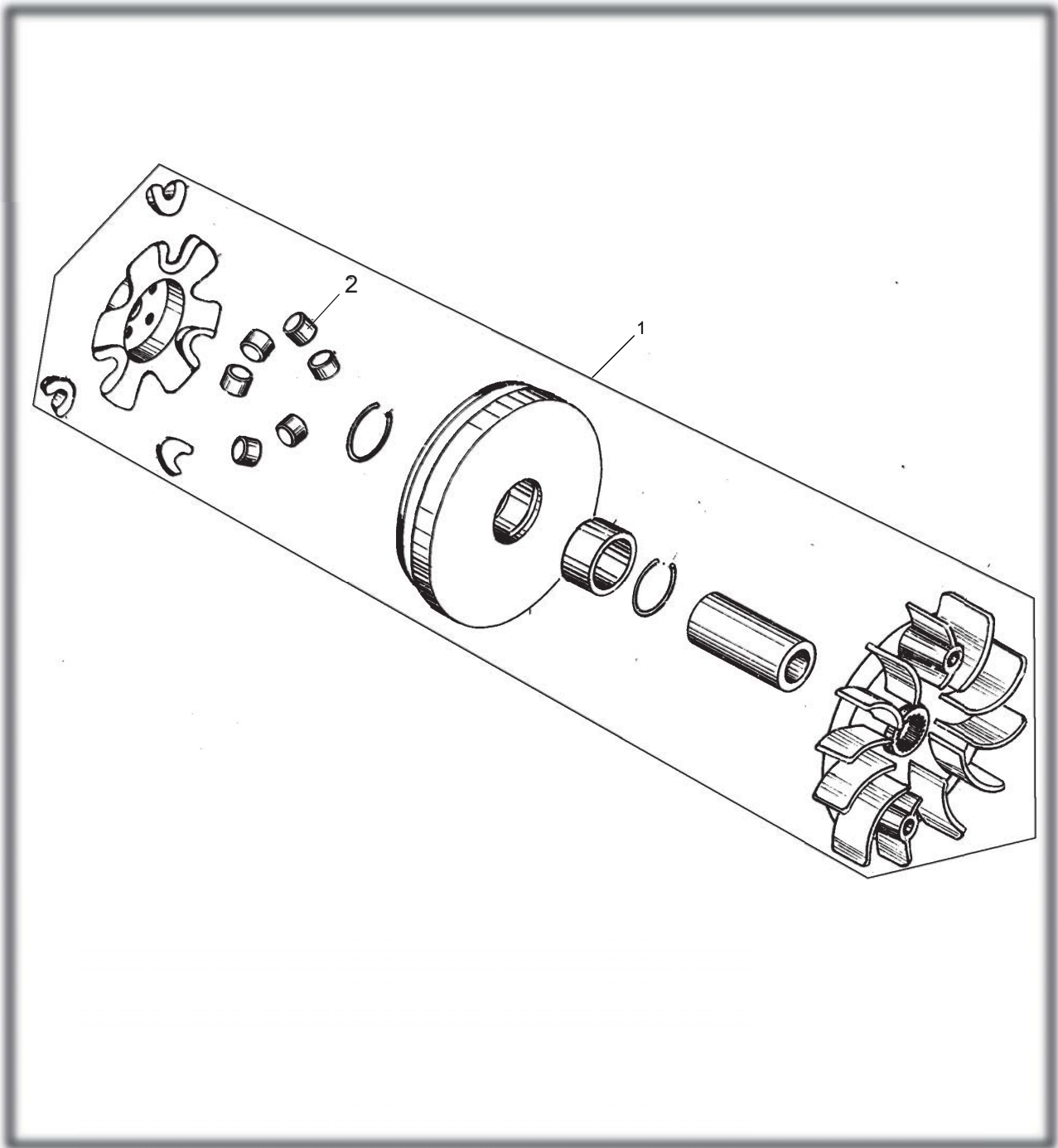
ELECTRIC STARTER ASSY.



ELECTRIC STARTER ASSY.

REF NO.	PART NO.	DESCRIPTION	REGD NO.	
1	M150-1060001	FLANGE STARTING CLUTCH	1	
2	M150-1060002	STARTER REDUCTION GEAR SHAFT	1	
3	M150-1060003	STARTER REDUCTION GEAR	1	
4	M150-1060005	FLANGE BOLT M6X16	2	
5	M150-1064000	STARTER MOTOR ASSY.	1	

DRIVE PULLEY SUBASSY.

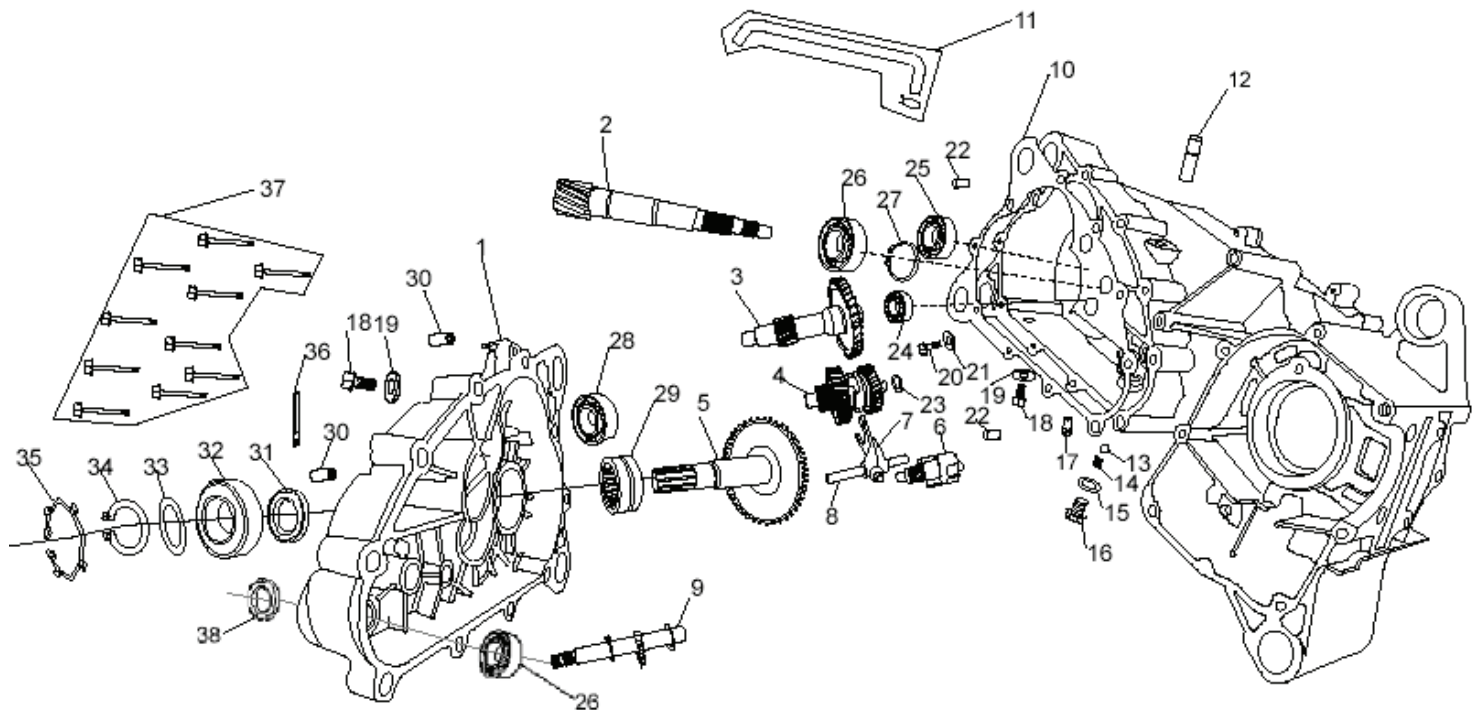


DRIVE PULLEY SUBASSY.

REF NO.	PART NO.	DESCRIPTION	REGD NO.	
1	M150-1071000	MOVABLE DRIVE PULLEY ASSY.	1	
2	M150-1071002	ROLLER	6	

FIG.15

TRANSMISSION



Ref No	Part No	Description	QTY	Ref No	Part No	Description	QTY
1	14297	Housing, Outer Transmission - 150cc	1	20	14296	Bolt, M6 x 1.00 x 12 FHCS	2
2	14298	Gear, Pri Drive - 150cc	1	21	14315	Washer, M6 Flat	2
3	14299	Gear, Sec Drive - 150cc	1	22	14287	Pin, M10 x 14 Dow el	2
4	14300	Asm, Shift Gear Cluster F/NR - 150cc	1	23	14316	Spacer, M15 Inner Gear	1
5	14301	Gear, Final Drive Shaft	1	24	91004-E6202-KAT	Bearing, 6202 15 x 35 x 11	1
6	14302	Asm, Shift Selector - 150cc	1	25	91004-E6203-KAT	Bearing, 6203 17 x 40 x 12	1
7	14303	Pawl, Shift Selector - 150cc	1	26	91004-E6204-KAT	Bearing, 6204 20 x 47 x 14	1
8	14304	Rod, Shift Pawl - 150cc	1	27	14106	Circlip, M20	1
9	14305	Shaft, Shifter Cam - 150cc	1	28	14503	Bearing, 6302 15 x 42 x 13	1
10	M150-3050349	Gasket, Transmission Case - 150cc	1	29	14504	Bearing, RNA4905 30 x 42 x 17	1
11	14307	Tube, Transmission Vent	1	30	14505	Bushing, Shock Absorbing - 150C	2
12	14308	Nipple, Vent Tube - 150cc Large	1	31	14318	Seal, M30 x 40 x 6	1
13	14309	Ball, Shift Indent - 150cc	1	32	14598	Bearing, Sealed 6205 - 150CC	1
14	14310	Spring, Shift Indent - 150cc	1	33	14511	Washer, M22 X 31 X 2.5 Flat	1
15	14311	Gasket, Shift Indent - 150cc	1	34	14319	Circlip, M25	1
16	14312	Bolt, Shift Indent - 150cc	1	35	14320	Circlip, M52	1
17	14502	Nipple, Vent Tube - 150cc Small	1	36	14321	Clamp, Wire	1
18	14313	Bolt, Drain/Fill Plug - 150cc	2	37	9.106.040	Bolt, M6 x 1.00 x 40 FHCS	10
19	14314	Gasket, Trans Drain Plug - 150cc	2	38	14597	Oil Seal, Shifter Cam - 150CC	1

FIG.16

FRAME

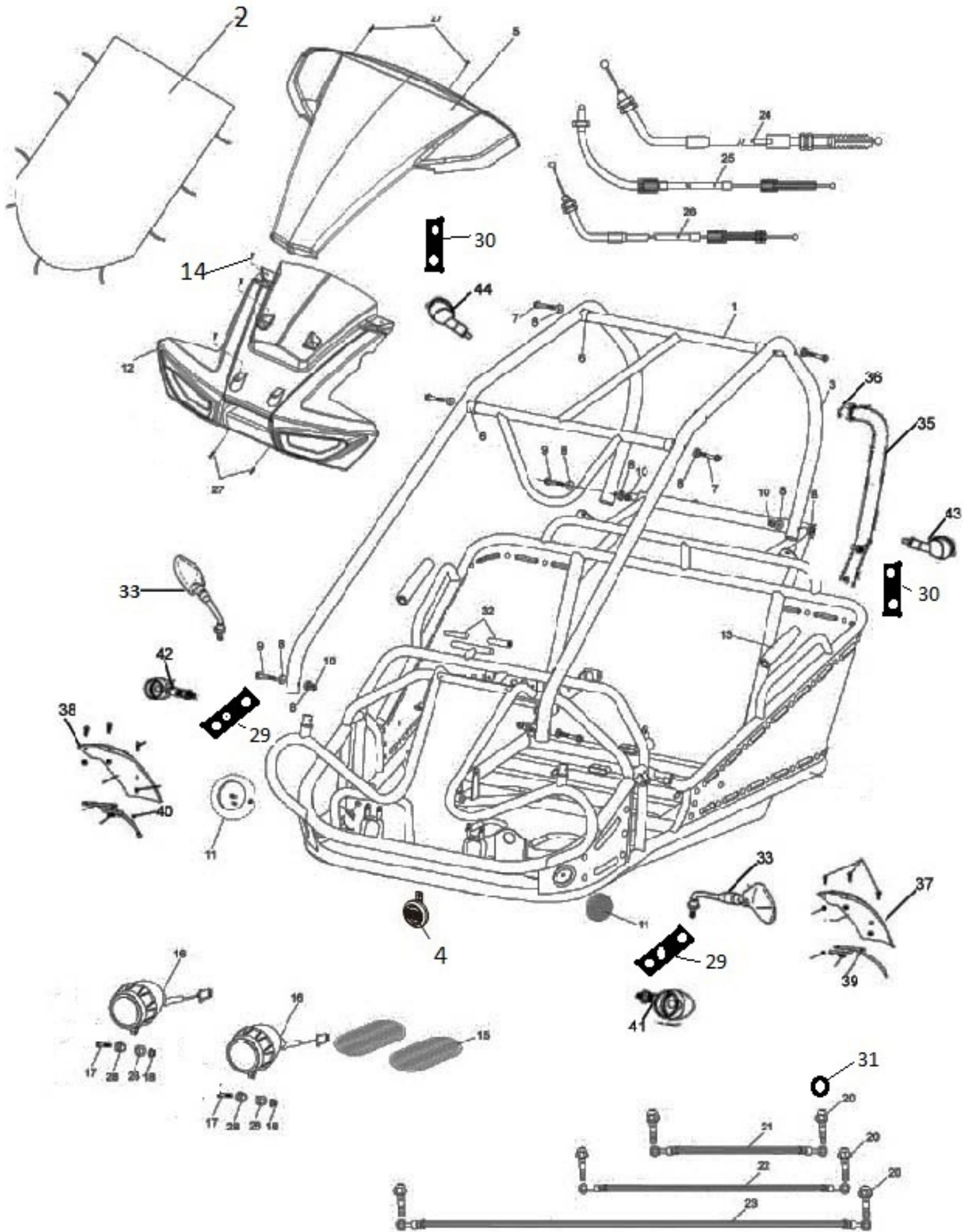


FIG.16

FRAME GROUP			
REF NO.	PART NO.	DESCRIPTION	REGD. NO
F16-1	13-0101-00-FB	C.B.C. CROSS BAR Flat Black	1
F16-2	13-0801-00	CANOPY TOP	1
F16-3	13-0102-00-FB	C.B.C. BAR CAGE Flat Black	2
F16-4	6.000.135	HORN	1
F16-5	13-0201-00-(color code)	HOOD, UPPER -(Red, FB, BL, ORG, CM)	1
F16-6	7.010.017	TUBE SEAT Φ 25	8
F16-7	9.108.055	SOCKET BOLT M8X1.25X55	8
F16-8	7.010.049	R-WASHER	16
F16-9	9.108.050	SOCKET BOLT M8X1.25X50	4
F16-10	9.220.008	LOCKING FLANGE NUT M8	4
F16-11	6.000.114	Front Side Reflector	2
F16-12	13-0202-03-FB	FR. HOOD, LOWER	1
F16-13	6.000.083	FOAM PADDING	2
F16-14	003-050016-00	SCREW BOLT, M5X16	6
F16-15	7.020.012	RUBBER FOOT PLATE	2
F16-16	13-0206-00	HEADLIGHT UNIT	2
F16-17	9.108.050	FLANGE BOLT M8 x 1.25 x 50	2
F16-18	9.220.008	NUT M8	2
F16-19	9.106.014	FLANGE BOLT M6X14	6
F16-20	9.700.004	BANJO BOLT M10x24	6
F16-21	6.000.089	BRAKE HOSE ASSY. L. 34"	1
F16-22	6.000.090	BRAKE HOSE ASSY. R. 43"	1
F16-23	6.000.091	BRAKE HOSE ASSY. RR. 75"	1
F16-24	6.000.232	THROTTLE CABLE COMP.	1
F16-25	14456	Forward/Reverse Cable F-N-R	1
F16-26	6.000.050	PARKING BRAKE CABLE COMP.	1
F16-27	003-060015-00	PAN SCREW, M6X15	4
F16-28	7.020.049	HEADLIGHT RUBBER MOUNT	4
F16-29	13-0631-00	FRONT BLINKER/MIRROR MOUNT	2
F16-30	13-0632-00	REAR BLINKER MOUNT	2
F16-31	13-1422-00	COPPER CRUSHWASHER, BRAKE LINE	12
F16-32	13-0501-00	GRIP, HANDLEBAR	1
F16-33	6.000.137	SIDE MIRROR SET (LEFT AND RIGHT)	1
F16-34			1
F16-35	13-0103-00-FB	SIDE ARM BARS Flat Black	2
F16-36	7.010.016	TUBE SEAT SIDE ARM BARS	2
F16-37	7.010.034-SS	LEFT FRONT FENDER	1
F16-38	7.010.034-SS	RIGHT FRONT FENDER	1
F16-39	6.000.067-S	LF FENDER BRACKET PIN STRUT MOUNT	1
F16-40	6.000.102-S	RF FENDER BRACKET PIN STRUT MOUNT	1
F16-41	6.000.155-SS	FRONT LEFT TURN SIGNAL	1
F16-42	6.000.156-SS	FRONT RIGHT TURN SIGNAL	1
F16-43	6.000.156-SS	REAR LEFT TURN SIGNAL	1
F16-44	6.000.155-SS	REAR RIGHT TURN SIGNAL	1

FIG.17

STEERING SHAFT ASSEMBLY

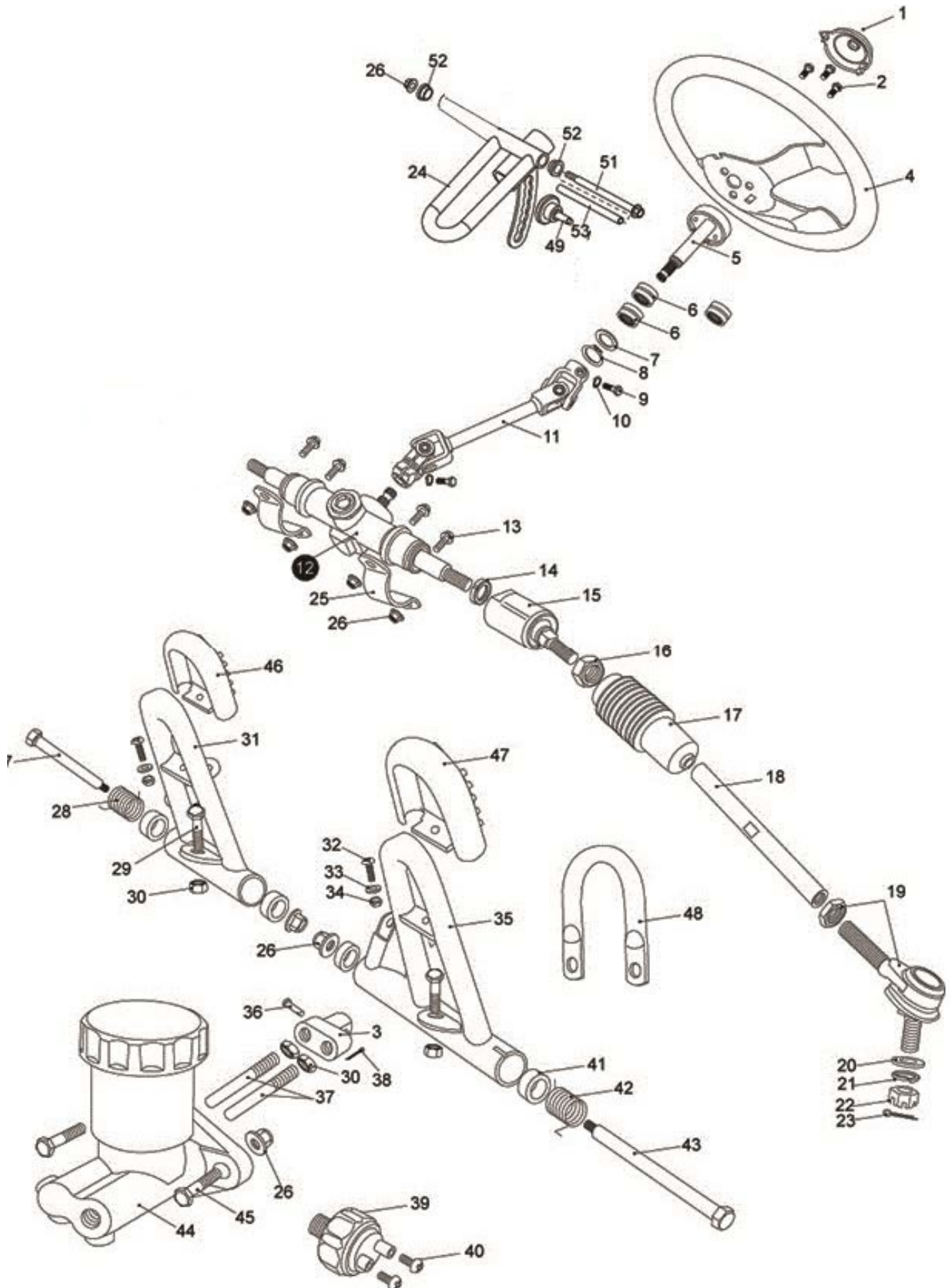


FIG.17

STEERING SHAFT ASSEMBLY			
REF NO.	PART NO.	DESCRIPTION	REGD. NO
F17-1	7.010.041	STEERING BOLT COVER	1
F17-2	9.106.012	BOLT STRAP M6x12	3
F17-3	8.030.024	SPINDLE BRACKET	1
F17-4	7.020.038	STEERING WHEEL	1
F17-5	6.000.122	STEERING SHAFT	1
F17-6	9.030.012	BEARING NK20/16	2
F17-7	9.700.020	SPECIAL WASHER Φ20	1
F17-8	9.700.120	CIRCLIP Φ20	1
F17-9	9.108.025	BOLT M8x25	2
F17-10	9.400.008	LOCKING WASHER Φ8	2
F17-11	6.000.093	STEERING KNUCKLE	1
F17-12	4.000.008-250	STEERING GEAR	1
F17-13	9.108.025	FLANGE BOLT M8x1.25x25	4
F17-14	9.900.016	ROUND NUT M16x1.5	2
F17-15	4.000.008	STEERING BALL JOINT	2
F17-16	9.200.010	NUT M10	2
F17-17	7.020.002	BALL JOINT DUST COVER. L.	2
F17-18	8.010.157-GTS	TIE ROD 5.5"	2
F17-19	6.000.062	ROD END	2
F17-20	9.300.010	FLAT WASHER Φ10	2
F17-21	9.400.010	LOCKING WASHER Φ10	2
F17-22	9.800.010	CASTLE NUT M10	2
F17-23	9.500.215	COTTER PIN Φ2x15	2
F17-24	13-1012-00	TILT STEERING HOUSING	1
F17-25	8.020.014	STEERING GEAR BRACKET	2
F17-26	9.220.008	LOCKING FLANGE NUT. M8	8
F17-27	9.708.145	THROTTLE PEDAL BOLT M8x1.25x145	1
F17-28	8.040.001	THROTTLE PEDAL RETURN SPRING, L	1
F17-29	9.108.040	FLANGE BOLT M8x1.25x40	2
F17-30	9.200.008	NUT M8	2
F17-31	4.000.016	THROTTLE PEDAL COMP.	1
F17-32	9.600.515	PAN SCREW M5x15	2
F17-33	H5260067	PEDAL PAD PLATE	2
F17-34	9.210.005	NYLON LOCK NUT M5	2
F17-35	4.000.015	BRAKE PEDAL COMP	1
F17-36	9.700.624	PIN 6x24	1
F17-37	8.010.081	SPINDLE PIN	2
F17-38	9.500.212	COTTER PIN 2X12	1
F17-39	6.000.063	BRAKE LAMP SWITCH ASSY.	1
F17-40	9.600.306	PAN SCREW M3x6	2
F17-41	7.010.004	PEDAL BUSH	4
F17-42	8.040.007	BRAKE PEDAL RETURN SPRING, R	1
F17-43	9.708.222	BRAKE PEDAL BOLT M8x1.25x222	1
F17-44	6.000.076	MASTER CYLINDER	1
F17-45	9.108.035	BOLT-WASHER M8x1.25x35	2
F17-46	7.020.036	THROTTLE PEDAL PAD	1
F17-47	7.020.037	BRAKER PEDAL PAD	1
F17-48	8.070.044	MASTER CYLINDER BRACKET	2
F17-49	8.010.220	ADJUSTING KNOB	1
F17-51	9.108.110	TILT STEERING BOLT	1
F17-52	7.010.003	TILT STEERING LOCKING BUSH	2
F17-53	8.010.222	COLLAR	1

FIG.18

SUSPENSION ARM ASSY.

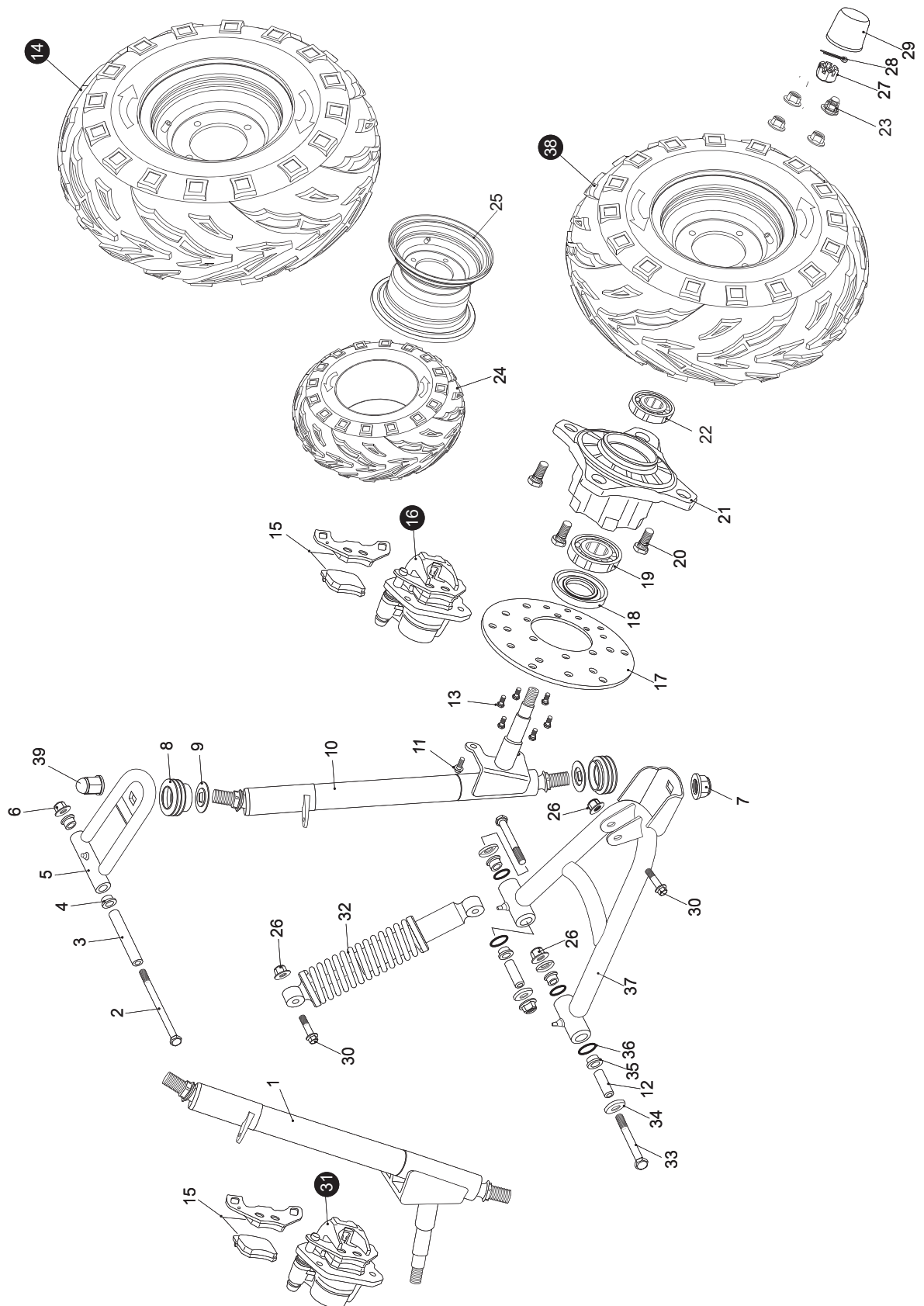


FIG.18

SUSPENSION ARM ASSEMBLY.

REF NO.	PART NO.	DESCRIPTION	REGD. NO
F18-1	2.000.028-GTS	STRUT AND SPINDLE SUPPORT, R (PIN FENDER MOUNT)	1
F18-2	9.108.105	FLANGE BOLT M8x1.25x105	2
F18-3	8.010.015	UPPER SUSPENSION ARM COLLAR	2
F18-4	7.010.003	UPPER SUSPENSION ARM BUSHING	4
F18-5	4.000.004-SLV	UPPER SUSPENSION ARM	2
F18-6	9.220.008	LOCKING FLANGE NUT. M8	2
F18-7	9.800.012	LOCKING FLANGE NUT. M12 (9.500.200 cotter pin)	4
F18-8	7.020.025	BALL HEAD DUST SEAL	4
F18-9	8.020.053	BALL HEAD SPACER	4
F18-10	2.000.027-GTS	STRUT AND SPINDLE SUPPORT, L (PIN MOUNT FENDER)	1
F18-11	9.908.014	BOLT STRAP M8x14	4
F18-12	8.010.014	LOWER SUSPENSION ARM COLLAR	4
F18-13	9.106.012	BOLT STRAP M6x12	12
F18-14	13-0903-00	FRONT TIRE & WHEEL, RIGHT 19x7-8	1
F18-15	7.020.016	PAD SET. FR. BRAKE CALIPER	2
F18-16	6.000.028	FRONT BRAKE CALIPER. L	1
F18-17	8.010.054	FRONT DISC BRAKE	2
F18-18	9.040.002	DUST SEAL 47x25-7	2
F18-19	9.030.002	BEARING 6204-Z	2
F18-20	9.710.031	TIRE BOLT M10x1.25x31	8
F18-21	8.010.085B	FRONT WHEEL HUB	2
F18-22	9.030.010	BEARING 6202-Z	2
F18-23	9.220.010	LOCKING FLANGE NUT M10	8
F18-24	7.020.033	FRONT TIRE 19x7-8	1
F18-25	002-100080-03	FRONT WHEEL 8" STEEL BLACK	2
F18-26	9.220.010	LOCKING FLANGE NUT M10	16
F18-27	9.800.012	CASTLE NUT M12	2
F18-28	9.500.220	COTTER PIN Φ 2x20	2
F18-29	7.020.039	FR. HUB COVER.	2
F18-30	9.110.040	FLANGE BOLT M10x1.25x40	4
F18-31	6.000.095	FRONT BRAKE CALIPER. R	1
F18-32	6.000.325	CUSHION ASSY. FR L=325	2
F18-33	9.110.080	FLANGE BOLT M10x1.25x80	4
F18-34	8.020.034	LOWER SUSPENSION ARM DUST CAP	8
F18-35	7.010.002	LOWER SUSPENSION ARM BUSHING	8
F18-36	9.040.001	O-RING Φ 21.2x2.65	8
F18-37	4.000.023-SLV	LOWER SUSPENSION ARM ASSY.	2
F18-38	13-0901-00	FRONT TIRE & WHEEL, LEFT 19X7-8	1
F18-39	8.010.140	ACORN NUT M12	2

FIG.19

REAR CARGO RACK/SEAT/BELT

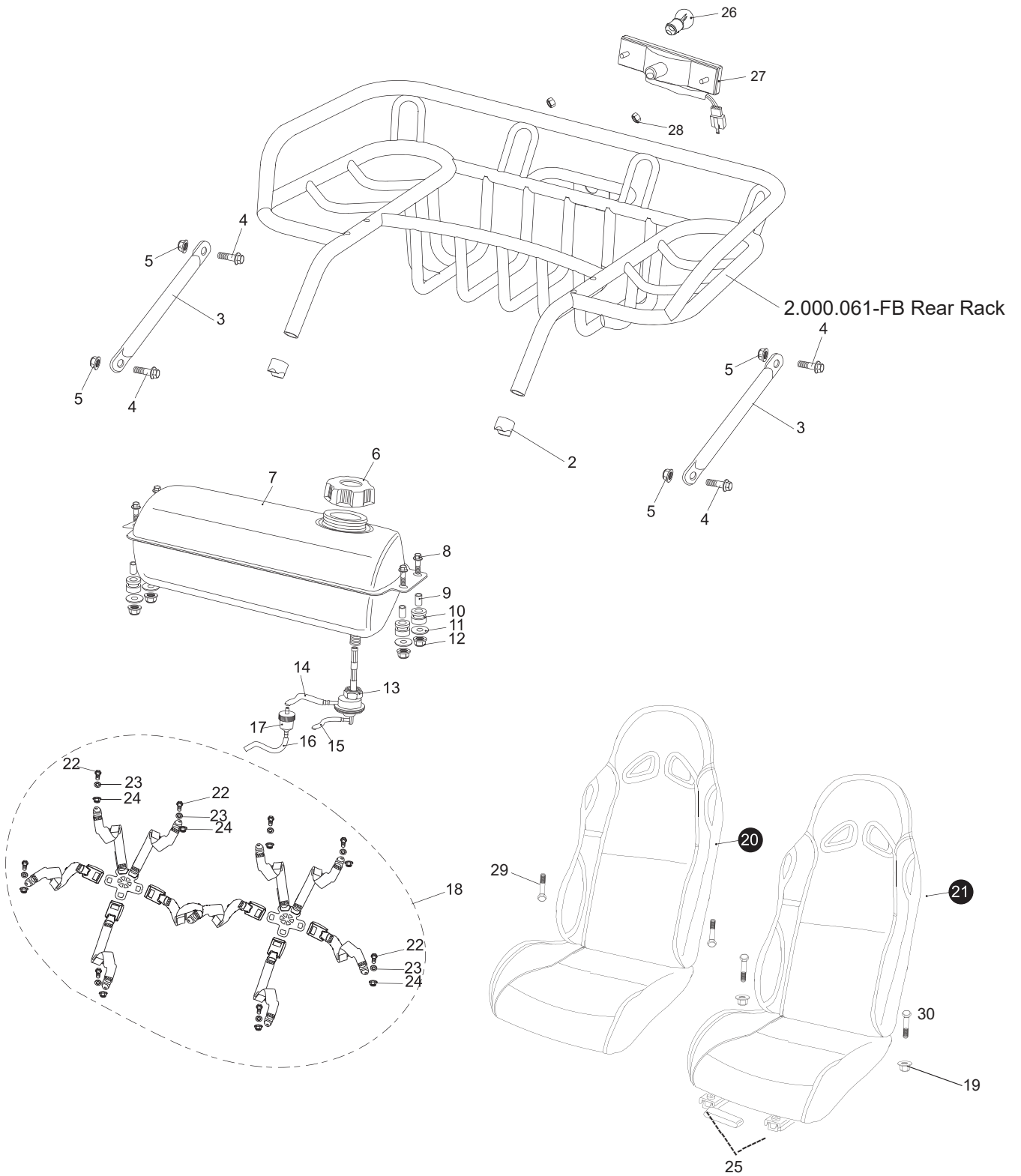
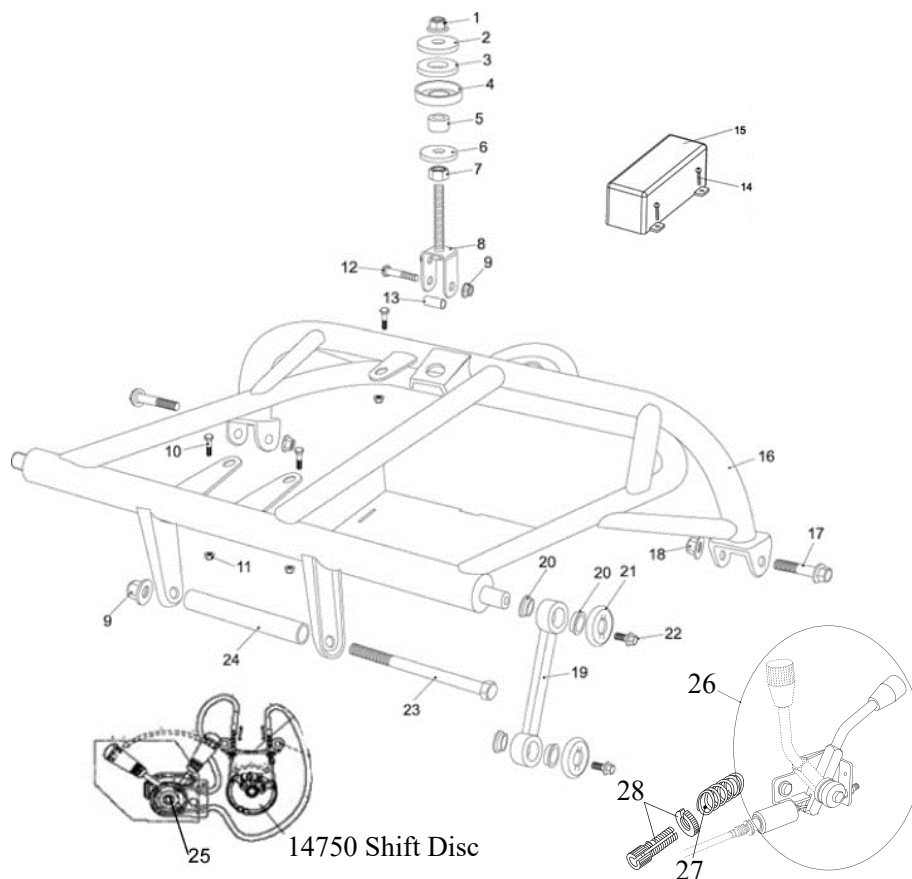


FIG.19

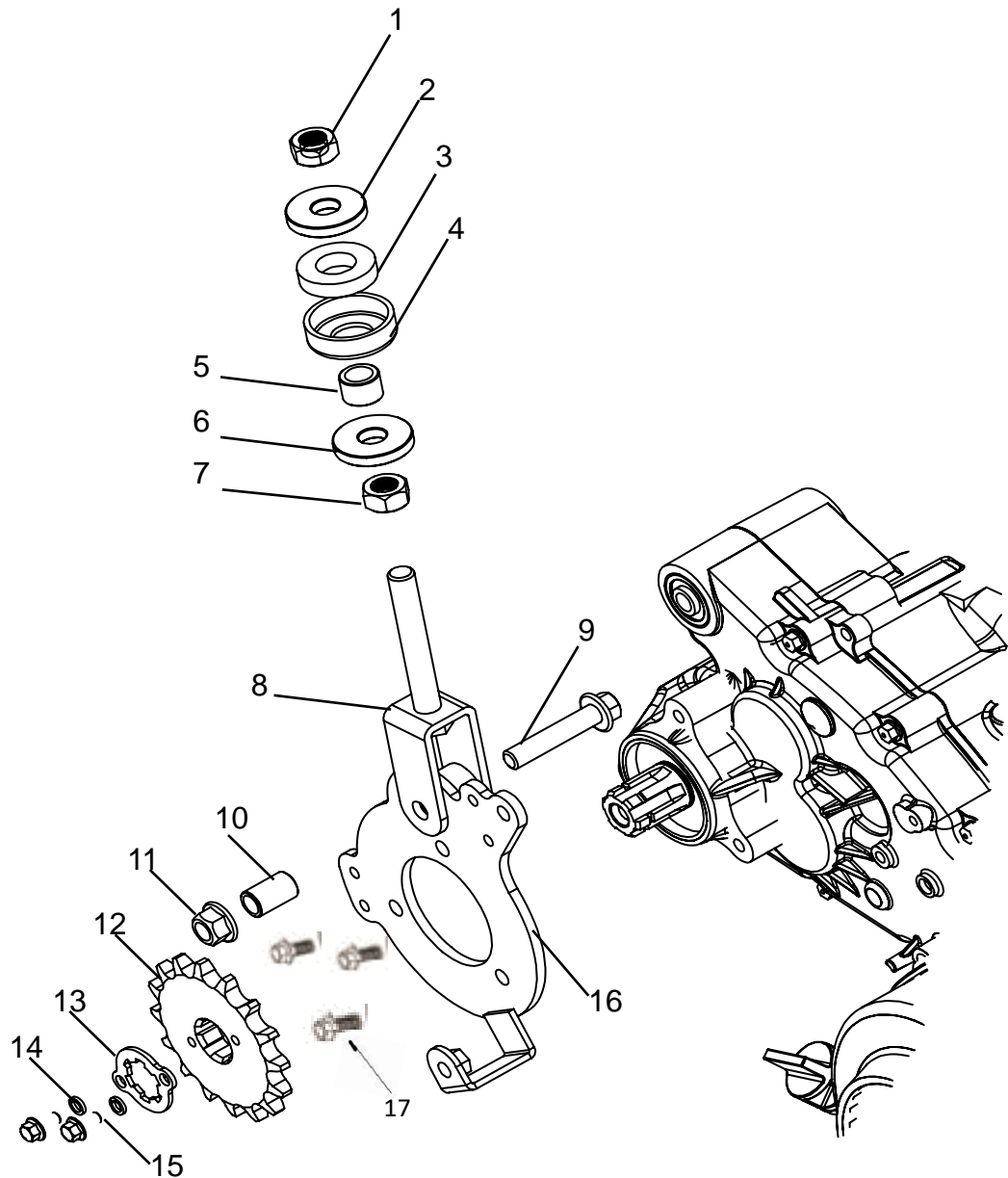
REAR CARGO RACK / SEAT BELTS / SEATS			
REF NO.	PART NO.	DESCRIPTION	REGD. NO
F19-2	7.010.017	TUBE SEAT Φ 25	2
F19-3	8.080.051-FB	RACK SUPPORT ARM FLAT BLACK	2
F19-4	9.108.020	FLANGE BOLT M8X1.25X20	4
F19-5	9.220.008	LOCKING FLANGE NUT. M8	4
F19-6	6.000.145	FUEL TANK CAP	1
F19-7	99-1300	FUEL TANK w/BRACKET	1
F19-8	9.106.065	FLANGE BOLT M8X1.25X50	4
F19-9	8.010.035	TANK COLLAR.	4
F19-10	7.020.011	RUBBER MOUNT	4
F19-11	9.300.008	FLAT WASHER Φ 8	4
F19-12	9.220.006	NYLON LOCKING FLANGE NUT M8	4
F19-13	6.000.046	AUTO FUEL COCK ASSY.	1
F19-14	7.020.030	FUEL TUBE #1	1
F19-15	7.020.028	VACUUM TUBE	1
F19-16	7.020.029	FUEL TUBE #2	1
F19-17	6.000.056	FUEL FILTER	1
F19-18	6.000.354	SAFETY BELT COMP.	1
F19-19	9.220.008	NUT M8	2
F19-20	13-0401-00R	SEAT COMP. R	1
F19-21	13-0401-00L	SEAT COMP.L	1
F19-22	9.700.001	SPECIAL BOLT, M7/16"x28	1
F19-23	9.700.002	WASHER BELT Φ 12	9
F19-24	9.700.003	BELT NUT M7/16"	9
F19-25	6.000.057	SEAT RAIL SET.	1
F19-26	9.090.002	TAIL LIGHT BULB. 21W/5W 12V	1
F19-27	6.000.010	TAIL LIGHT	1
F19-28	9.200.005	LOCKING NYLON NUT, M5	2
F19-29	9.108.040	BOLT M8X1.25X40	2
F19-30	9.900.840	SEAT RAIL BOLT M8X1.25X40	2

FIG.20



REAR UPPER SWINGARM			
REF NO.	PART NO.	DESCRIPTION	REGD. NO
F20-1	9.220.012	LOCKING FLANGE NUT. M12	1
F20-2	8.010.042	WASHER. ENGINE MOUNT LINK	1
F20-3	7.020.001	CUSHION. ENGINE MOUNT LINK	1
F20-4	8.020.045	SPACER. ENGINE MOUNT LINK	1
F20-5	8.010.041	COLLAR. ENGINE MOUNT LINK	1
F20-6	9.300.012	WASHER. FLAT Φ12	1
F20-7	9.200.012	NUT M12	1
F20-8	205043043	ENGINE MOUNT BOLT PLATE	1
F20-9	9.220.010	LOCKING FLANGE NUT. M10	1
F20-10	9.106.022	BOLT-WASHER M6x22	3
F20-11	9.220.006	LOCKING NYLON NUT. M6	3
F20-12	9.110.045	BOLT-WASHER M10x1.25x45	1
F20-13	8.010.076	COLLAR. ENGINE MOUNT BOLT PLATE	1
F20-14	9.600.655	SCREW. PAN M6x55	2
F20-15	7.010.029	COVER. ELECTRIC ASS'Y.	1
F20-16	2.000.062	REAR SWING ARM ASS'Y. UPPER	1
F20-17	9.112.060	BOLT-WASHER M12x1.25x60	2
F20-18	9.220.012	LOCKING FLANGE NUT. M12	2
F20-19	8.030.001	SWING ARM DOG BONE	2
F20-20	7.010.008	BUSH. CON' ROD	8
F20-21	8.020.013	SPACER. CON' ROD	4
F20-22	9.108.016	BOLT-WASHER M8x1.25x16	4
F20-23	9.110.195	BOLT-WASHER M10x1.25x195	1
F20-24	8.010.025	COLLAR. ENGINE MOUNT	1
F20-25	14478	SHIFTER ASSEMBLY	1
F20-26	6.000.042	PARKING BRAKE LEVER ASSEMBLY	1
F20-27	8.040.004	CABLE SPRING	1
F20-28	6.000.051	CABLE ADJUSTING BOLT	1

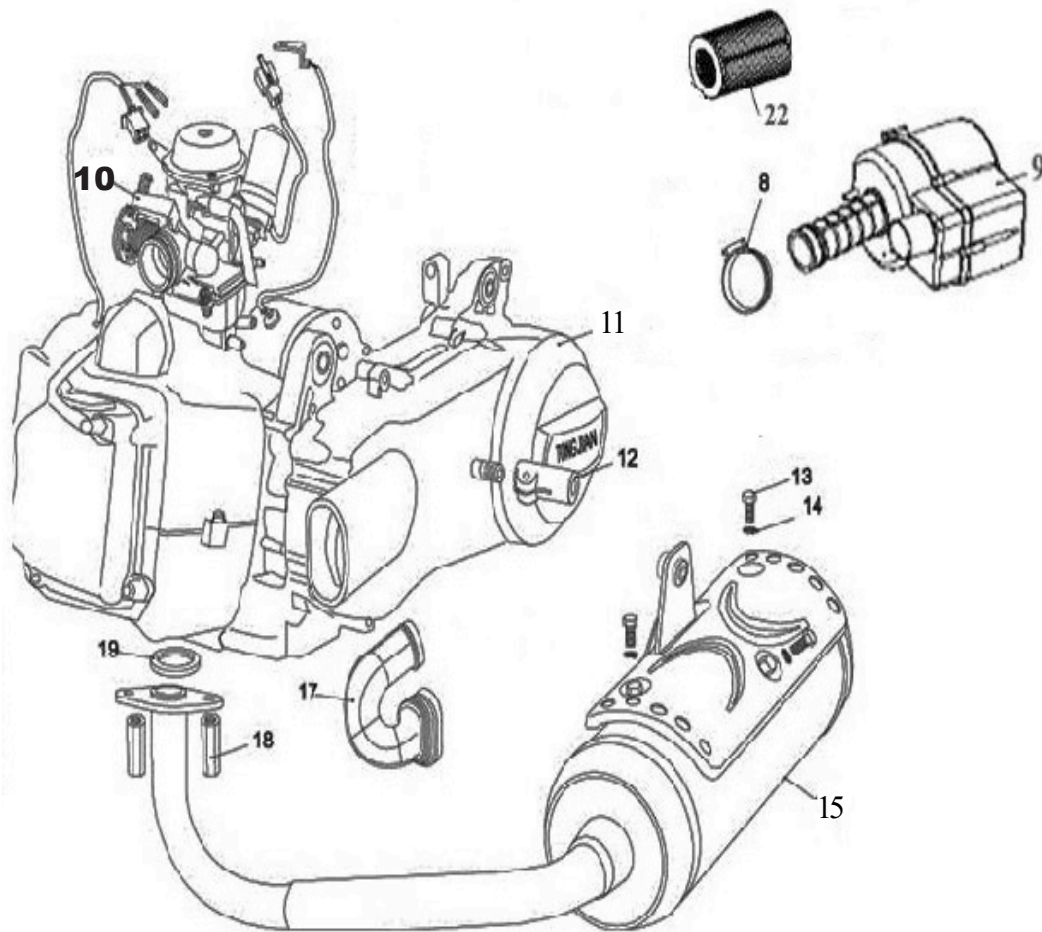
ENGINE HANGER



Ref #:	Part Number:	Engine Hanger Description:	Quantity:
1	9.220.012	Lock Nut m12	1
2	8.010.042	Washer, Engine Mount Link	1
3	7.020.001	Cushion, Engine Mount Link	1
4	8.020.045	Spacer Cup, Engine Mount Link	1
5	8.010.041	Collar, Engine Mount Link	1
6	9.300.012	Flat Washer 12	1
7	9.200.012	Nut m12	1
8	205043043	Adjuster Rod, Engine Mount Link	1
9	9.110.045	Bolt m10x45	1
10	8.010.076	Adjuster Collar, Engine Mount Link	1
11	9.220.010	Lock Nut m10	1
12	14217	Engine Sprocket 16T 50P	1
13	14218	Sprocket Keeper	1
14	9.400.006	Lock Washer 6	2
15	9.106.012	Bolt m6x12	2
16	14480	Upper Chain Guard Bracket	1
17	9.108.016	Flange Bolt m8x1.25x16	3

FIG.21

ENGINE / MUFFLER / AIR CLEANER



ENGINE / MUFFLER / AIR CLEANER			
REF NO.	PART NO.	DESCRIPTION	REGD. NO
F21-8	8.020.056	AIR CLEANER CLAMP	1
F21-9	4.000.055	AIR CLEANER ASSY.	1
F21-10	6.000.024	CARBURETOR	1
F21-11	006-JL150-03	ENGINE, 150CC (non oil cooler)	1
F21-12	14507	MUFFLER SUPPORT (BOLT 9.108.040)	1
F21-13	9.106.012	BOLT, M6X12	3
F21-14	9.400.006	LOCKING WASHER Φ6	3
F21-15	6.000.074	MUFFLER COMP. EX	1
F21-17	14322	SIDE CASE BOOT	2
F21-18	9.040.027	MUFFLER JOINT NUT, M6	2
F21-19	M150-3050354	EX. PIPE GASKET	1
F21-22	6.000.151	AIR CLEANER ELEMENT	1

FIG.22

REAR SWING ARM

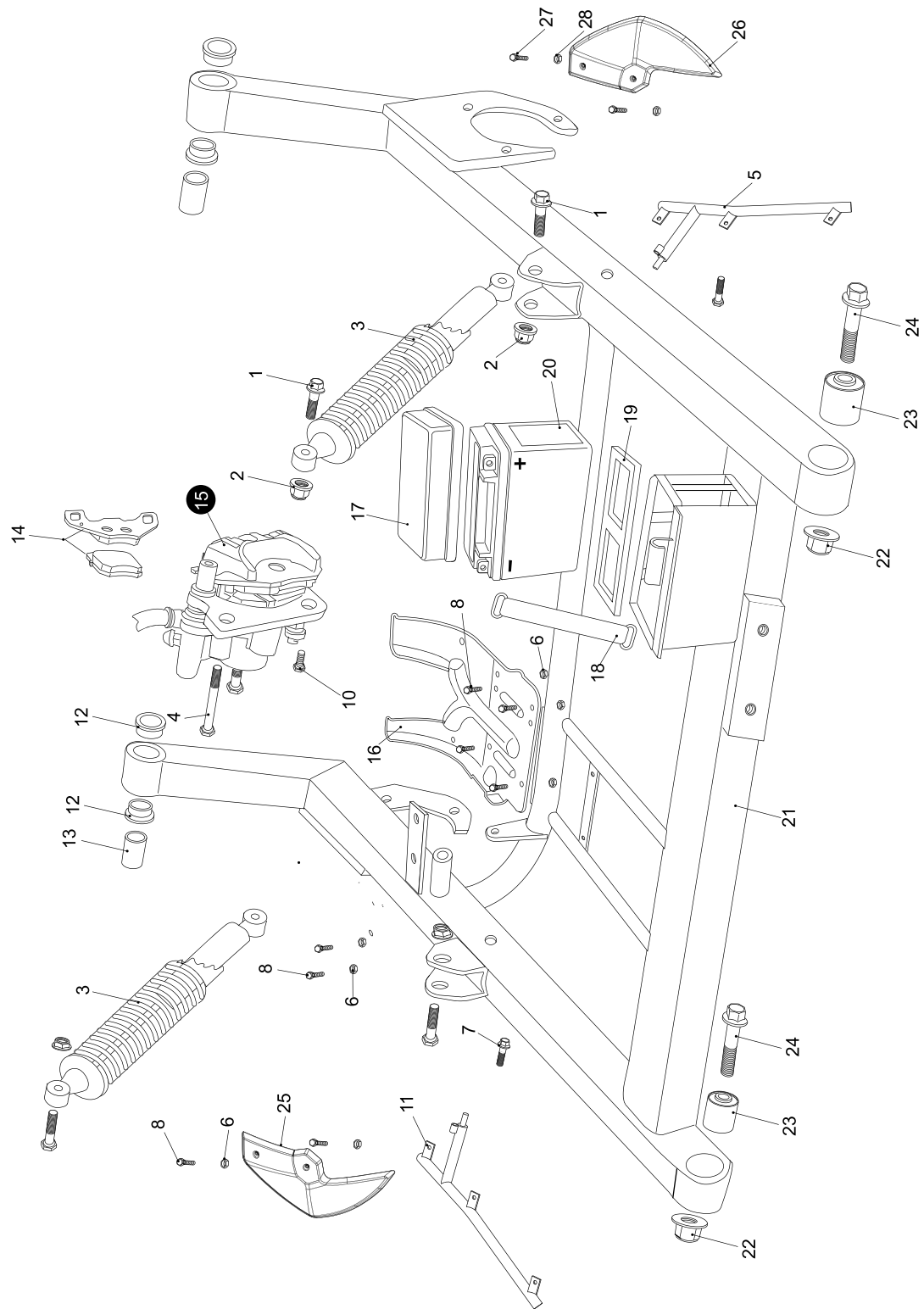


FIG.22

REAR SWING ARM			
REF NO.	PART NO.	DESCRIPTION	REGD. NO
F22-1	9.110.040	FLANGE BOLT M10x1.25x40	4
F22-2	9.220.010	LOCKING FLANGE NUT M10	4
F22-3	6.000.006	CUSHION ASSY. RR	2
F22-4	9.108.100	BOLT STRAP M8x1.25x100	1
F22-5	13-0601-00L	REAR FENDER BRACKET, L (PIN MOUNT)	1
F22-6	9.220.006	LOCKING NYLON NUT M6	12
F22-7	9.106.040	FLANGE BOLT M6x1.25x40	2
F22-8	9.106.016	FLANGE BOLT M6x16	12
F22-10	9.908.012	ALLEN BOLT M8x1.25x12	1
F22-11	13-0601-00R	REAR FENDER BRACKET, R (PIN MOUNT)	1
F22-12	7.010.006	SWING ARM BUSHING	4
F22-13	8.010.028	SWING ARM COLLAR	2
F22-14	7.020.022	RR. BRAKE PAD SET	1
F22-15	6.000.229	CALIPER ASSY. RR	1
F22-16	14185	LOWER CHAIN GUARD (14188 UPPER GUARD)	1
F22-17	7.010.028	BATTERY COVER	1
F22-18	7.020.023	BATTERY BAND	1
F22-19	7.020.020	BATTERY LOWER CUSHION	1
F22-20	6.000.055	BATTERY (GTX9-BX)	1
F22-21	2.000.042	RR. LOWER SWING ARM COMP.	1
F22-22	9.220.012	LOCKING FLANGE NUT M12	2
F22-23	7.020.008	SWING ARM CUSHION BUSHING	2
F22-24	9.112.060	FLANGE BOLT M12x1.25x60	2
F22-25	13-0204-00R-(color code)	R. REAR FENDER -(Red, FB, BL, ORG, CM)	1
F22-26	13-0204-00L-(color code)	L. REAR FENDER -(Red, FB, BL, ORG, CM)	1
F22-27	9.106.016	BOLT, M6X16	4
F22-28	9.220.006	NUT, M6	4

FIG.23

REAR HOUSING

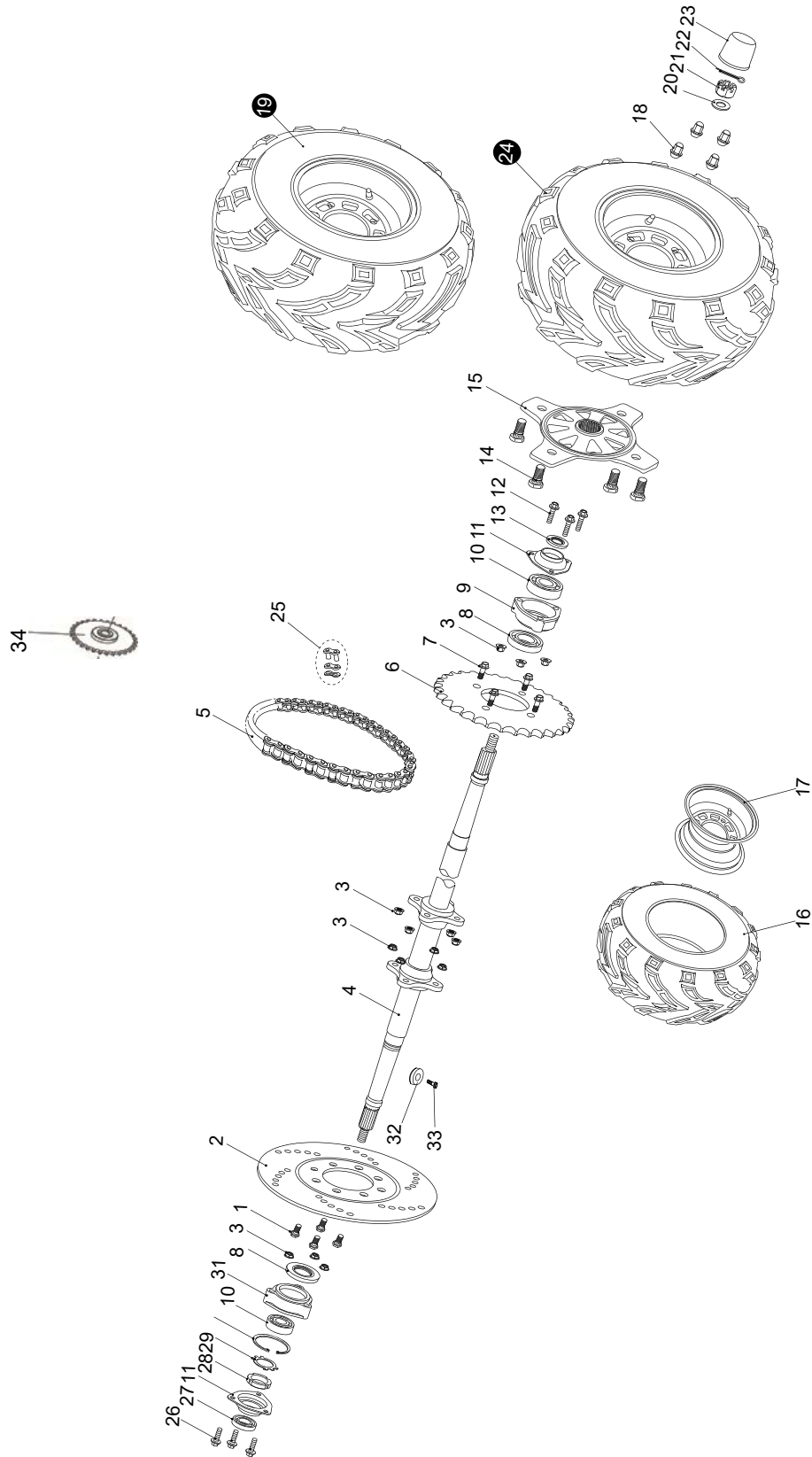


FIG.23

REAR HOUSING

REF NO.	PART NO.	DESCRIPTION	REGD. NO
F23-1	9.108.022	BOLT-WASHER M8x1.25x22	4
F23-2	8.010.053	DISC. RR. BRAKE	1
F23-3	9.220.008	LOCK FLANGE NUT. M8	14
F23-4	8.010.057B-N	REAR AXLE	1
F23-5	9.070.002-N	CHAIN O-RING DRIVE 530X52	1
F23-6	008-32-530	REAR SPROCKET 32T	1
F23-7	9.108.027	BOLT-WASHER M8x1.25x27	4
F23-8	9.040.006	DUST SEAL 50X34-7	2
F23-9	8.030.033	COMP. HOUSING RR. AXLE BRG	2
F23-10	9.030.006	BEARING 6206	2
F23-11	8.020.028	BEARING BASE	2
F23-12	9.108.040	BOLT-WASHER M8x1.25x40	6
F23-13	9.040.007	DUST SEAL 42X30-7	2
F23-14	9.710.031	BOLT. TIRE M10x1.25x31	8
F23-15	8.010.089B	HUB. REAR AXLE	2
F23-16	7.020.035	TIRE. RR 21x10-10	2
F23-17	002-100100-03	RIM. RR 10" BLACK	2
F23-18	9.220.010	LUG NUT. M10	8
F23-19	13-0904-00	REAR TIRE/WHEEL ASSY., RIGHT	1
F23-20	9.700.016	WASHER 16	2
F23-21	9.800.016	CASTLE NUT. M16	2
F23-22	9.500.430	COTTER PIN. 4X30	2
F23-23	7.020.039	COVER. RR. HUB	2
F23-24	13-0902-00	REAR TIRE/WHEEL ASSY., LEFT	1
F23-25	6.000.149	MASTER LINK, CHAIN	1
F23-26	9.108.045	FLANGE BOLT M8X1.25X45	3
F23-27	9.040.008	DUST SEAL 42X28-7	1
F23-28	9.900.030	ROUND NUT M30X1.5	1
F23-29	8.020.181	KEEPER	1
F23-30			
F23-31	8.030.033	REAR AXLE BEARING HOUSING	1
F23-32	7.050.001	MAGNETIC CONTACT	1
F23-33	9.600.308	Pan Screw M3x8	1
F23-34	14217	Engine Drive Sprocket 50P 16T (3222266)	1

FIG.24

ELECTRICALS

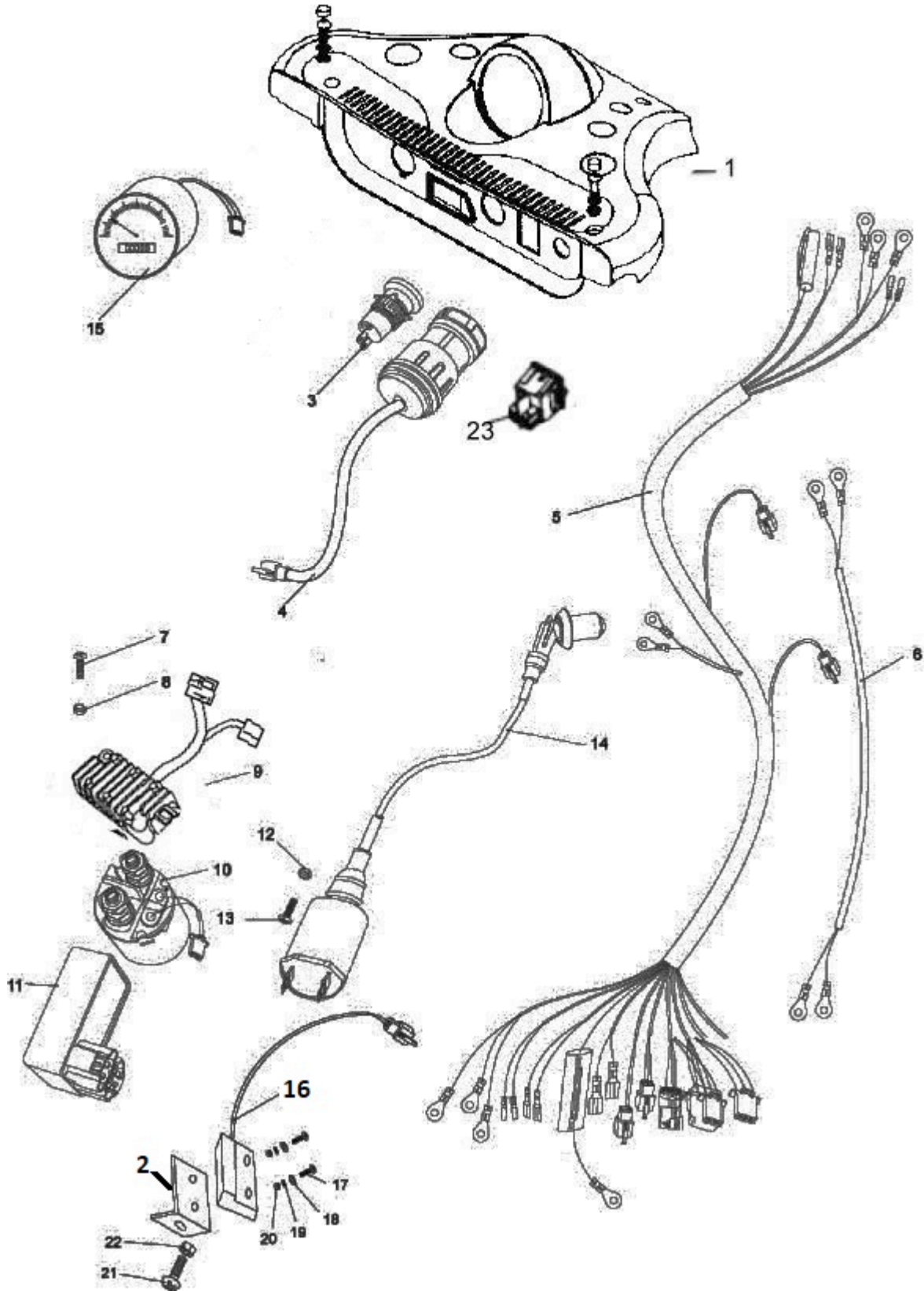


FIG.24

ELECTRICALS			
REF NO.	PART NO.	DESCRIPTION	REGD. NO
F24-1	7.110.038	SWITCH PANEL COVER	1
F24-2	8.020.197	SPEEDOMETER SENSOR BRACKET	1
F24-3	6.000.159	ENGINE STOP BUTTON	1
F24-4	6.000.158	KEY SWITCH	1
F24-5	13-0303-01	WIRE HARNESS.	1
F24-6	6.000.204	POSITIVE/NEGATIVE CABLES	1
F24-7	9.106.020	BOLT M6x20	2
F24-8	9.220.006	NYLON LOCKING NUT M6	2
F24-9	6.000.124-GTS	REGULATE RECTIFIER COMP.	1
F24-10	6.000.035	STARTING RELAY	1
F24-11	6.000.267	C.D.I. UNIT COMP.	1
F24-12	9.210.005	NYLON LOCKING NUT M5	1
F24-13	9.600.525	ROUND HEAD BOLT M5x25	1
F24-14	6.000.126	IGNITION COIL COMP.	1
F24-15	13-0305-00	SPEEDOMETER	1
F24-16	6.000.268	SPEEDOMETER SENSOR	1
F24-17	9.600.310	SCREW, M3X10 (GB818)	1
F24-18	12.026.025	SPRING WASHER, 3 (GB93)	1
F24-19	12.026.026	FLAT WASHER,3 (GB97.1)	1
F24-20	12.026.027	NUT, M3 (GB6170)	1
F24-21	9.106.020	BOLT, M6X20 (GB5787)	1
F24-22	9.220.006	NUT, M6 (GB6187)	1
F24-23	6.000.058	HEADLIGHT SWITCH	1