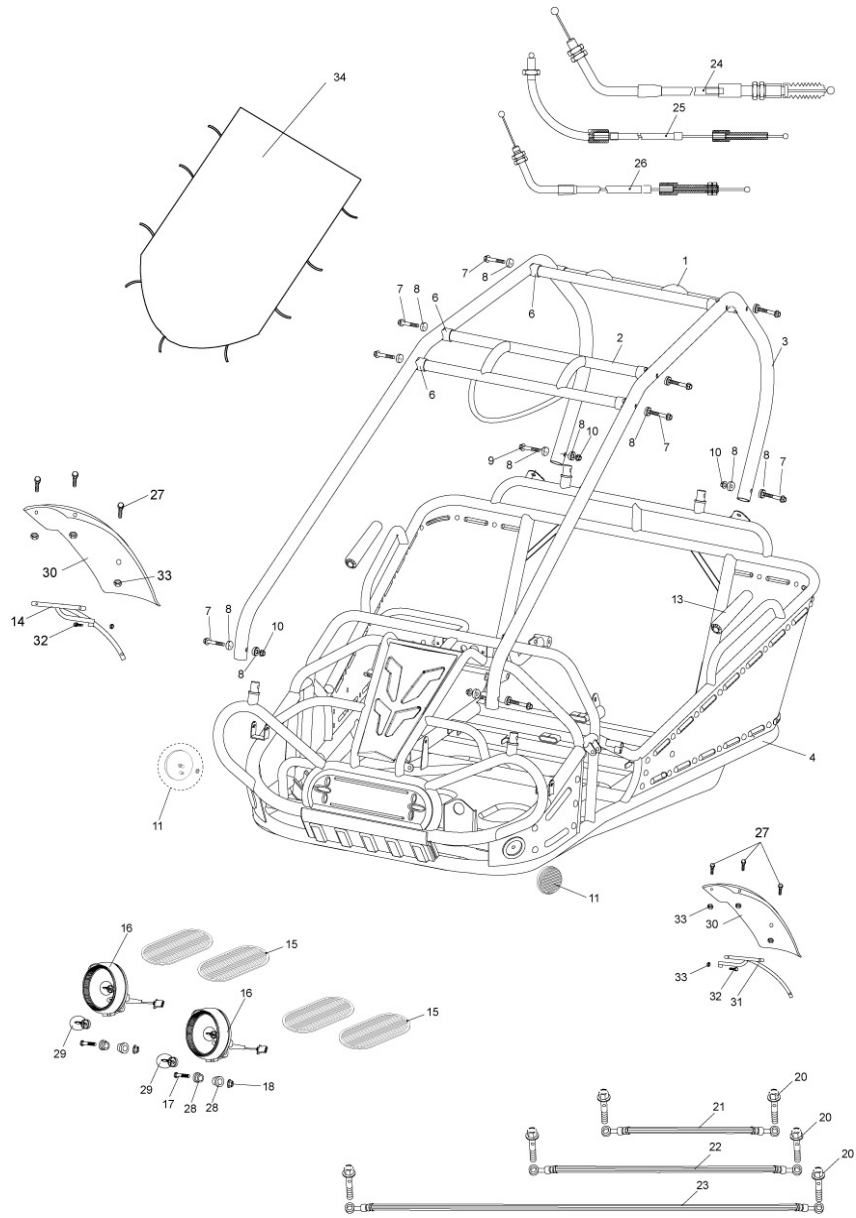
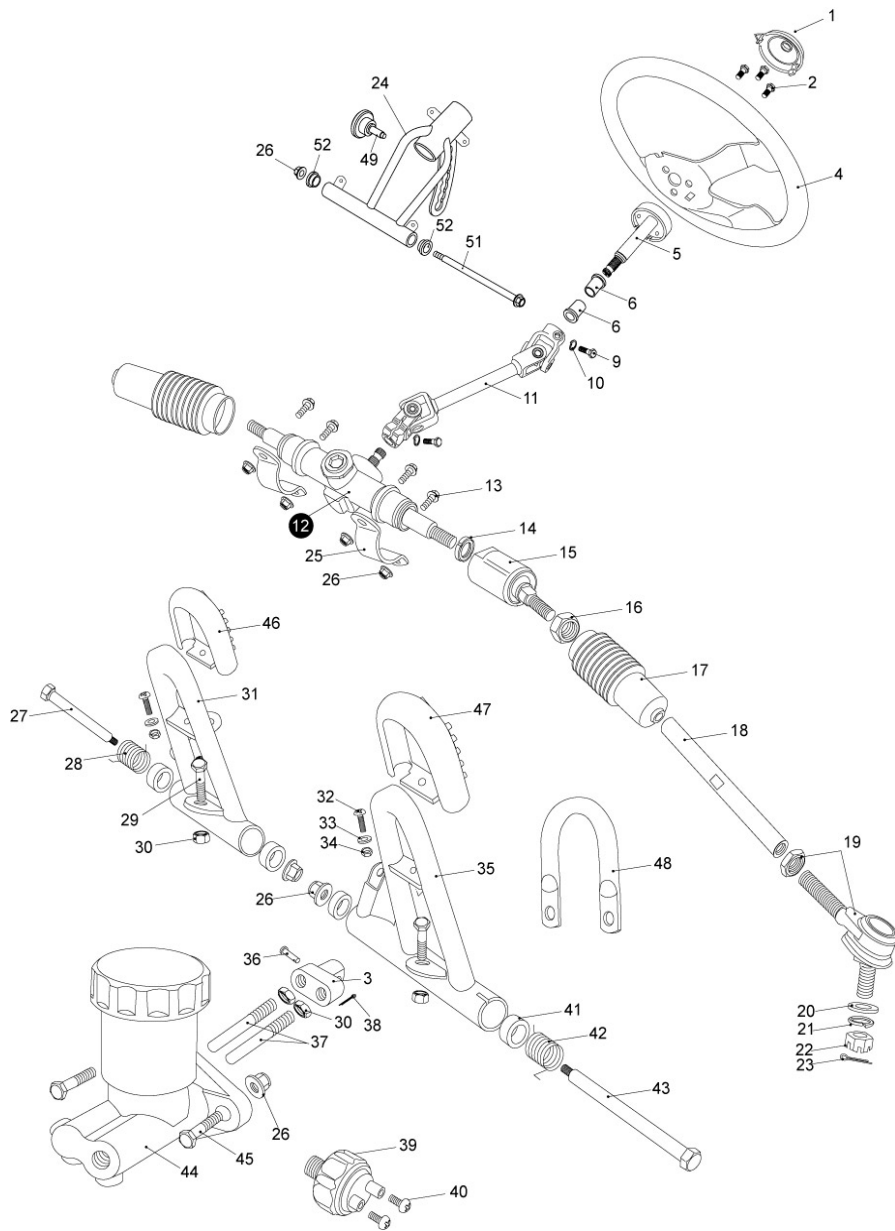


FIG. 18 FRAME GROUP



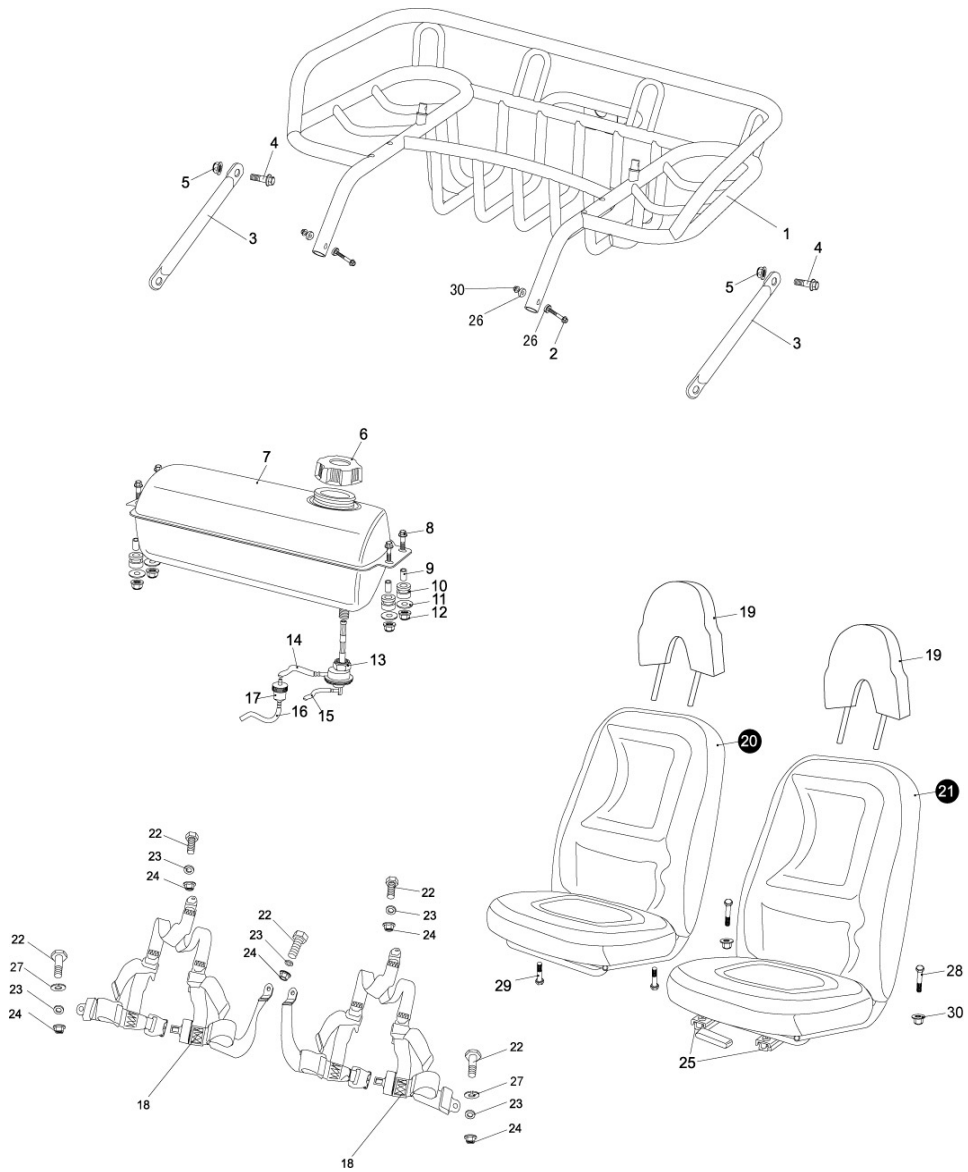
F18-1	8.070.063	C.B.C. CROSS BAR	1
F18-2	8.070.064	MIDDLE C.B.C. CROSS BAR	1
F18-3	8.070.065	C.B.C. BAR CAGE(B.R.S)	2
F18-4		FRAME COMP.(B.R.S.)	1
F18-5			
F18-6	9.908.055N	TUBE SEAT Φ 25	8
F18-7	9.908.055N	SOCKET BOLT M8X55	12
F18-8	8.010.047	R-WASHER	16
F18-9			
F18-10	9.220.008	LOCKING FLANGE NUT M8	4
F18-11	6.000.144	FRONT REFLECTOR	2
F18-12			
F18-13	6.000.083	FOAM PADDING	2
F18-14	6.000.102	FRONT FENDER BRACKET,R.	1
F18-15	7.020.012	RUBBER FOOT PLATE	4
F18-16	6.000.009	HEADLIGHT UNIT	2
F18-17	9.108.045	FLANGE BOLT M8 X 50	2
F18-18	9.220.008	NUT M8	2
F18-19			
F18-20	9.700.004	BANJO BOLT M10X24	6
F18-21	6.000.089	BRAKE HOSE ASSY. L. 34"	1
F18-22	6.000.090	BRAKE HOSE ASSY. R. 43"	1
F18-23	12.000.091	BRAKE HOSE ASSY. RR.94"	1
F18-24	12.000.034	THROTTLE CABLE COMP	1
F18-25	12.000.040	REVERSE CABLE COMP	1
F18-26	12.000.050	PARKING BRAKE CABLE COMP	1
F18-27	9.106.014	FLANGE BOLT M6X14	6
F18-28	8.010.049	HEADLIGHT RUBBER MOUNT	4
F18-29	9.090.001	HEADLIGHT BULB 35W/ 12V	2
F18-30	7.010.034-35	FENDER, FR.	2
F18-31	6.000.067	FRONT FENDER BRACKET, L.	1
F18-32	9.100.640	BOLT M6 X 40	2
F18-33	9.210.008	LOCKING FLANGE NUT M6	10
F18-34	6.000.086	CANOPY	1

FIG. 19 STEERING SHAFT ASSY.



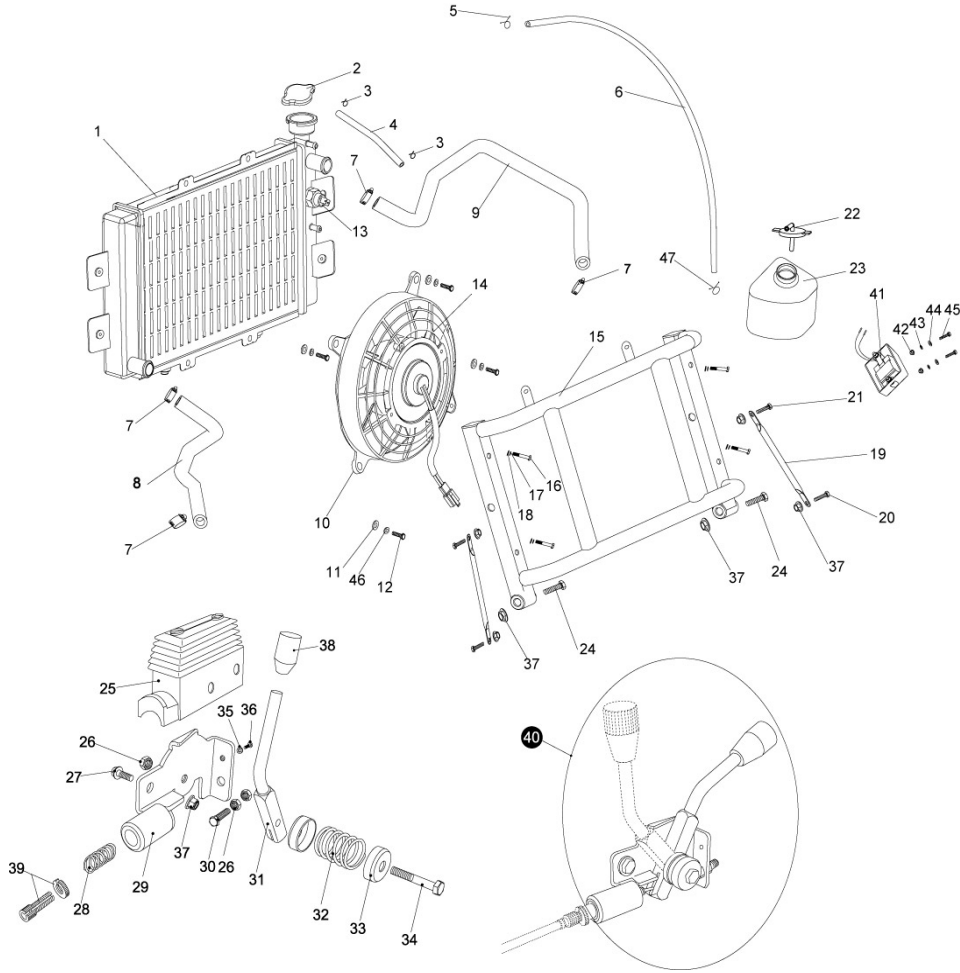
F19-1	7.010.041	STEERING BOLT COVER	1
F19-2	9.100.612	BOLT STRAP M6X12	3
F19-3	8.030.024	SPINDLE BRACKET	1
F19-4	7.020.038	STEERING WHEEL	1
F19-5	12.000.122	STEERING SHAFT	1
F19-6	12.210.004	NYLON BUSHING	2
F19-7			
F19-8			
F19-9	9.100.825	BOLT M8X25	2
F19-10	9.400.008	LOCKING WASHER Φ 8	2
F19-11	6.000.093-250	STEERING KNUCKLE	1
F19-12	4.000.035-250	STEERING GEAR	1
F19-13	9.108.025	FLANGE BOLT M8X25	4
F19-14	9.900.016	ROUND NUT M16X1.5	2
F19-15	4.000.008	STEERING BALL JOINT	2
F19-16	9.200.010	NUT M10	2
F19-17	7.020.002-250	BALL JOINT DUST COVER. L.	2
F19-18	8.010.157-250	TIE ROD	2
F19-19	6.000.062-250	ROD END	2
F19-20	9.300.010	FLAT WASHER Φ 10	2
F19-21	9.400.010	LOCKING WASHER Φ 10	2
F19-22	9.800.010	CASTLE NUT M10	2
F19-23	9.500.215	COTTER PIN Φ 2X15	2
F19-24	12.000.051	TILT STEERING HOUSING	1
F19-25	8.020.014	STEERING GEAR BRACKET	2
F19-26	9.220.008	LOCKING FLANGE NUT. M8	8
F19-27	9.708.145	THROTTLE PEDAL BOLT M8X145	1
F19-28	8.040.001	THROTTLE PEDAL RETURN SPRING, L	1
F19-29	9.108.040	FLANGE BOLT M8X40	2
F19-30	9.200.008	NUT M8	2
F19-31	4.000.016	THROTTLE PEDAL COMP.	1
F19-32	9.600.515	PAN SCREW M5X15	2
F19-33	9.300.005	FLAT WASHER Φ 5	2
F19-34	9.210.005	NYLON LOCK NUT M5	2
F19-35	4.000.015	BRAKE PEDAL COMP	1
F19-36	9.700.628	PIN 6X28	1
F19-37	8.010.081	SPINDLE PIN	2
F19-38	9.500.212	COTTER PIN 2X12	1
F19-39	6.000.063	BRAKE LAMP SWITCH ASSY.	1
F19-40	9.600.306	PAN SCREW M3X6	2
F19-41	7.010.004	PEDAL BUSH	4
F19-42	8.040.007	BRAKE PEDAL RETURN SPRING, R	1
F19-43	9.708.222	BRAKE PEDAL BOLT M8X1.25X222	1
F19-44	6.000.076	MASTER CYLINDER	1
F19-45	9.108.035	BOLT-WASHER M8X35	2
F19-46	7.020.036	THROTTLE PEDAL PAD	1
F19-47	7.020.037	BRAKER PEDAL PAD	1
F19-48	8.070.044	MASTER CYLINDER BRACKET	2
F19-49	8.010.220	ADJUSTING NOB	1
F19-50			
F19-51	12.108.110	TILT STEERING BOLT 12X255	1
F19-52	7.010.003	TILT STEERING LOCKING BUSH	2

FIG. 20 RR. RACK/GAS TANK/SEATS



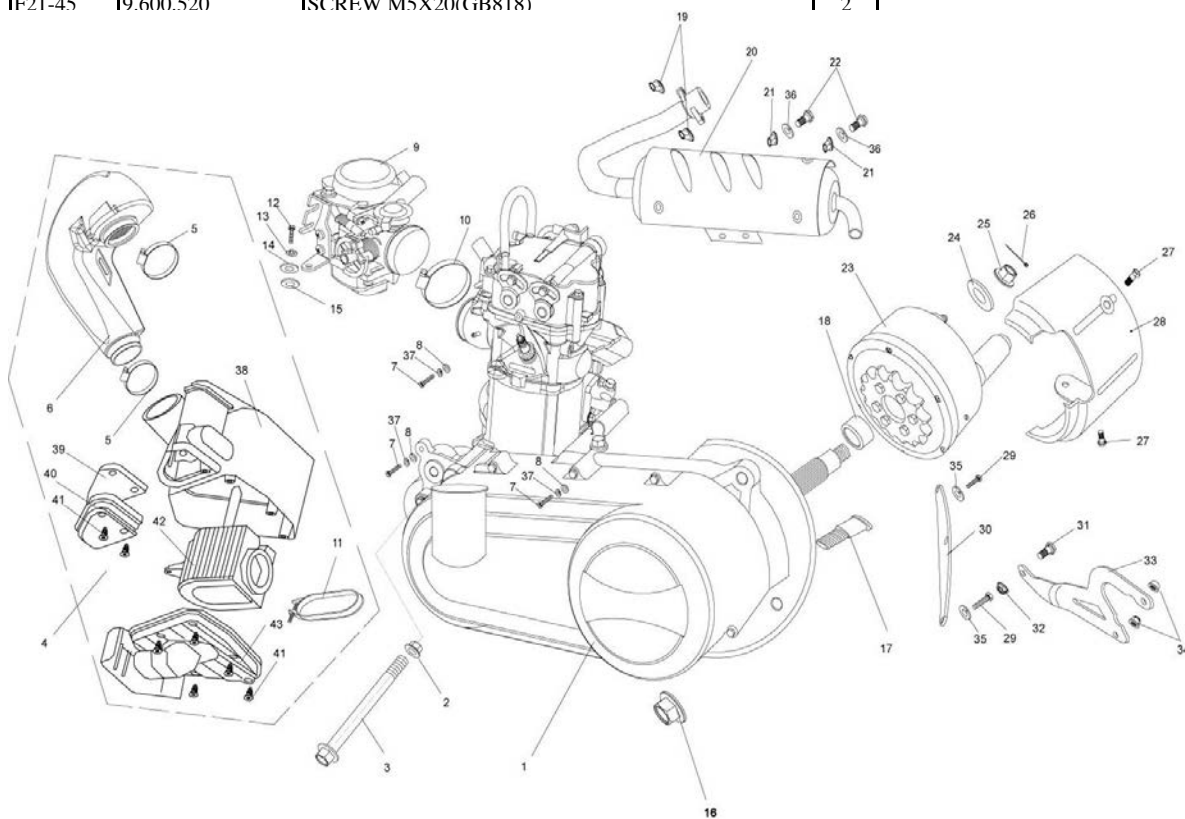
F20-1	12.000.061	REAR CARGO RACK	1
F20-2	9.108.045	BOLT, M8X45	2
F20-3	12.080.051	SUPPORT RACK	2
F20-4	9.101.025	FLANGE BOLT M10X1.25X25	2
F20-5	9.220.010	LOCKING FLANGE NUT. M10X1.25	2
F20-6	6.000.145	FUEL TANK CAP COMP.	1
F20-7	4.000.029	FUEL TANK COMP.	1
F20-8	9.108.025	FLANGE BOLT M8X25	4
F20-9	8.010.034	TANK COLLAR	4
F20-10	7.020.005	RUBBER MOUNT	4
F20-11	9.300.008	FLAT WASHER 8	4
F20-12	9.210.008	NYLON LOCKING FLANGE NUT M8	6
F20-13	6.000.046	AUTO FUEL COCK ASSY.	1
F20-14	7.020.021	FUEL TUBE COMP. #1	1
F20-15	7.020.031	VACUUM TUBE COMP.	1
F20-16	7.020.022	VACUUM TUBE COMP. #2	1
F20-17	6.000.056	FILTER	1
F20-18	6.000.354	SAFETY BELT COMP.	1
F20-19	6.000.376	HEAD-REST	2
F20-20	6.000.378	SEAT COMP, R	1
F20-21	6.000.377	SEAT. L	1
F20-22	9.700.001	SPECIAL BOLT, M7/16"X28	1
F20-23	9.700.002	WASHER BELT 12	9
F20-24	9.700.003	BELT NUT M7/16"	9
F20-25	6.000.379	SEAT RAIL SET.	1
F20-26	12.300.006	SPHERICAL WASHER 25	4
F20-27	9.700.002	SPRING WASHER	2
F20-28	9.210.006	T-BOLT,M8X40	2
F20-29	9.900.840	FLANGE BOLT,M8X40(GB5787)	2
F20-30	9.220.008	LOCKING FLANGE NUT.M8	6

FIG. 21 RADIATOR ASSY. / HANDBRAKE



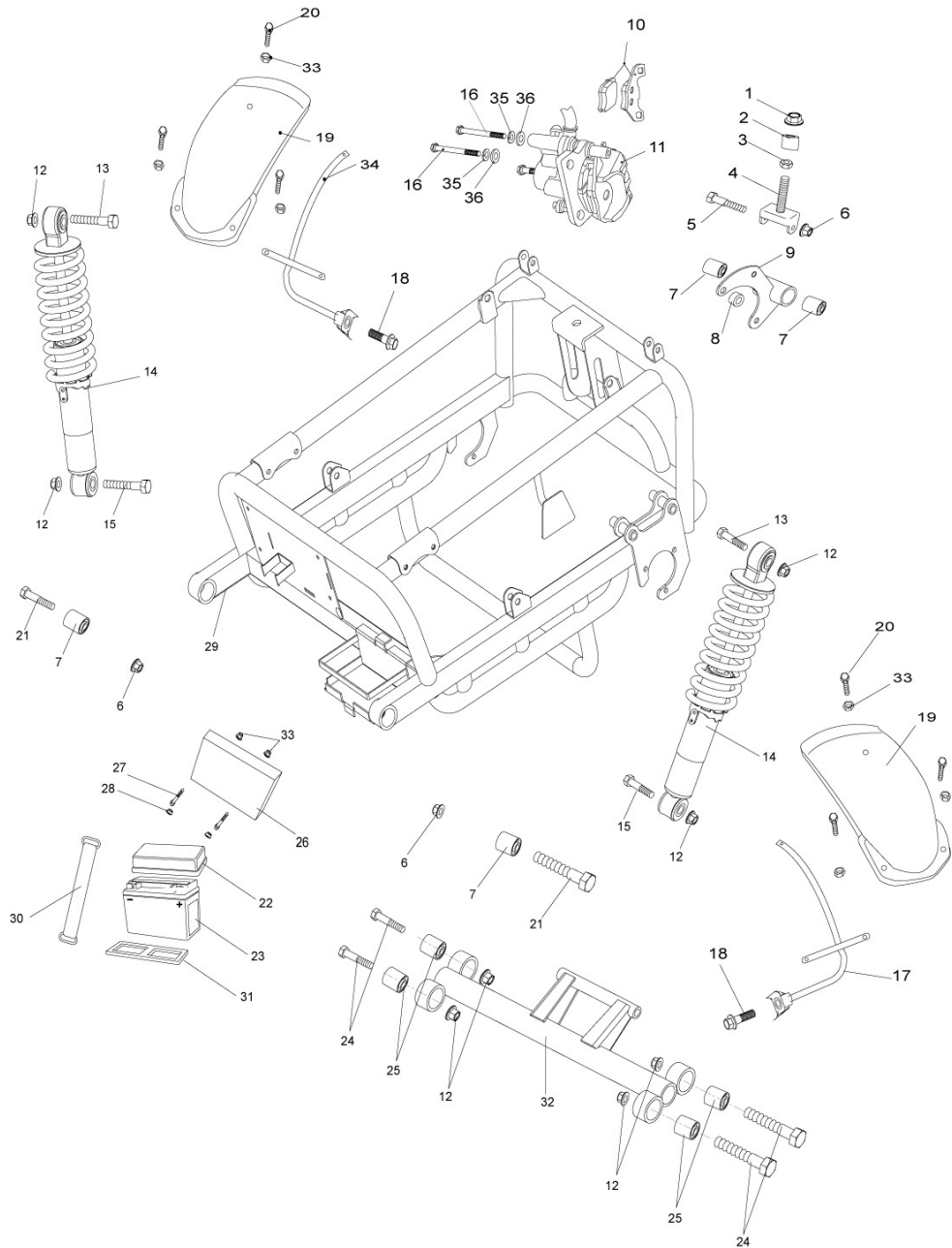
F21-1	12.021.001	RADIATOR	1
F21-2	12.021.002	COVER, RADIATOR	1
F21-3	12.021.003	CLAMP, WATER PIPE	2
F21-4	12.021.004	WATER PIPE 12X7X560	1
F21-5	12.021.005	CLAMP, CIRCULATION PIPE	1
F21-6	12.021.006	CIRCULATION PIPE	1
F21-7	12.021.007	CLAMP 25	4
F21-8	12.021.008	DRAIN PIPE	1
F21-9	12.021.009	FILL PIPE	1
F21-10	12.021.010	BRACKET, FAN	1
F21-11	9.300.006	WASHER 6	4
F21-12	9.100.005	BOLT, M6X20	4
F21-13	12.021.013	TEMPERATURE SWITCH	1
F21-14	12.021.014	FAN	1
F21-15	12.021.015	BRACKET, RADIATOR	1
F21-16	9.100.640	BOLT, M6X40(GB5782)	4
F21-17	12.021.017	WASHER 6 GB96	2
F21-18	9.210.006	NUT M6(GB6187)	2
F21-19	12.021.019	STAND, RADIATOR	2
F21-20	9.100.007	BOLT, M8X20(GB5787)	2
F21-21	9.100.009	BOLT, M8X35 GB5787	2
F21-22	12.021.022	CAP, OVERFLOW TANK	1
F21-23	12.021.023	OVERFLOW TANK	1
F21-24	9.100.030	BOLT, M8X45 GB5787	2

F21-25	7.020.024	COVER. REVERSE LEVER	2
F21-26	9.210.008	LOCKING NYLON NUT. M8	4
F21-27	9.108.020	BOLT-WASHER M8X20	2
F21-28	8.040.004	SPRING. CABLE	2
F21-29	6.000.064	BRACKET. LEVER	2
F21-30	9.100.830	BOLT M8X30	1
F21-31	12.021.031	LEVER, REVERSE PARKING BRAKE	2
F21-32	8.040.003	SPRING, LEVER	2
F21-33	8.020.082	SPACER, LEVER	4
F21-34	9.108.040	BOLT-WASHER M8X40	2
F21-35	9.300.005	WASHER FLAT 5	2
F21-36	9.600.512	SCREW PAN, M5X12	2
F21-37	9.220.008	LOCKING FLANGE NUT M8	7
F21-38	12.021.038	COVER LEVER, GREEN/BLACK	2
F21-39	6.000.051	ROD ADJUSTING, CABLE	2
F21-40	12.000.040	PARKING BRAKEREVERSE LEVER ASSY	2
F21-41	6.000.387	TAILLIGHT(CHEEK)	1
F21-42	9.400.018	WASHER LOCK M5(GB6170)	2
F21-43	9.118.040	SPRING WASHER(GB93)	2
F21-44	12.021.044	FLAT WASHER(GB97)	2
F21-45	9.600.520	SCREW M5X20(GB818)	2



F22-1	12.022.001	250cc ENGINE	1
F22-2	9.020.010	NUTM10X1.25(GB6187)	1
F22-3	9.110.210	BOLT(M10X1.25X210)	1
F22-4	4.000.032	AIR CLEANER ASSY.	1
F22-5	7.090.036	CLAMP, AIR BOX	2
F22-6	7.090.035	HOSE, AIR BOX	1
F22-7	9.100.005	BOLT, M6X20(GB5787)	3
F22-8	12.021.017	WASHER 6(GB96)	3
F22-9	172MM-100000	CARBURETOR	1
F22-10	12.022.010	CLAMP, CARBURETOR	1
F22-11	12.022.011	CLAMP, LH COVER	1
F22-12	9.600.520	SCREW M5X20	1
F22-13	12.022.013	SPRING WASHER 5(GB93)	1
F22-14	12.022.014	WASHER 5(GB96)	1
F22-15	12.022.015	RUBBER BUSHING	1
F22-16	M150-1004007	NUT, M12X1.25(GB6187)	1
F22-17	12.022.017	EYE BOLT	1
F22-18	12.022.018	BUSHING, REVERSE	1
F22-19	9.200.008	NUT M8(GB6170)	2
F22-20	12.022.020	MUFFLER ASSY	1
F22-21	9.220.010	NUT M10X1.25(GB6187)	2
F22-22	9.710.025	BOLT, M10X1.25X25(GB5783)	2
F22-23	12.022.023	REVERSE	1
F22-24	12.022.024	WASHER	1
F22-25	9.900.016	NUT, M16X1.5(GB6187)	1
F22-26	12.022.026	COTTER PIN 3.2X26(GB91)	1
F22-27	9.100.612	BOLT M6X12(GB5787)	2
F22-28	12.022.028	CHAIN GUARD	1
F22-29	9.100.825	BOLT, M8X25(GB5787)	2
F22-30	12.022.030	SMALL REVERSE PLATE	1
F22-31	9.710.025	BOLT, M10X1.25X25(GB5787)	1
F22-32	9.220.010	NUT, M10X1.25(GB6187)	1
F22-33	12.022.033	BIG REVERSE PLATE	1
F22-34	9.200.008	NUT, M8(GB6187)	2
F22-35	12.022.035	DESCRIPTION SPRING WASHER, 8(GB93)	2
F22-36		SPRING WASHER, 10(GB93)	2
F22-37	12.021.046	SPRING WASHER, 6(GB93)	3
F22-38	7.090.037	AIR CLEANER CASE COMP.	1
F22-39	7.090.041	AIR CLEANER ELEMENT GAUZE	1
F22-40	7.090.040	AIR CLEANER GAUZE COVER	1
F22-41	9.805.003	TAPPING SCREW M5X16	7
F22-42	7.090.038	AIR CLEANER ELEMENT	1
F22-43	7.090.039	AIR CLEANER COVERT	1

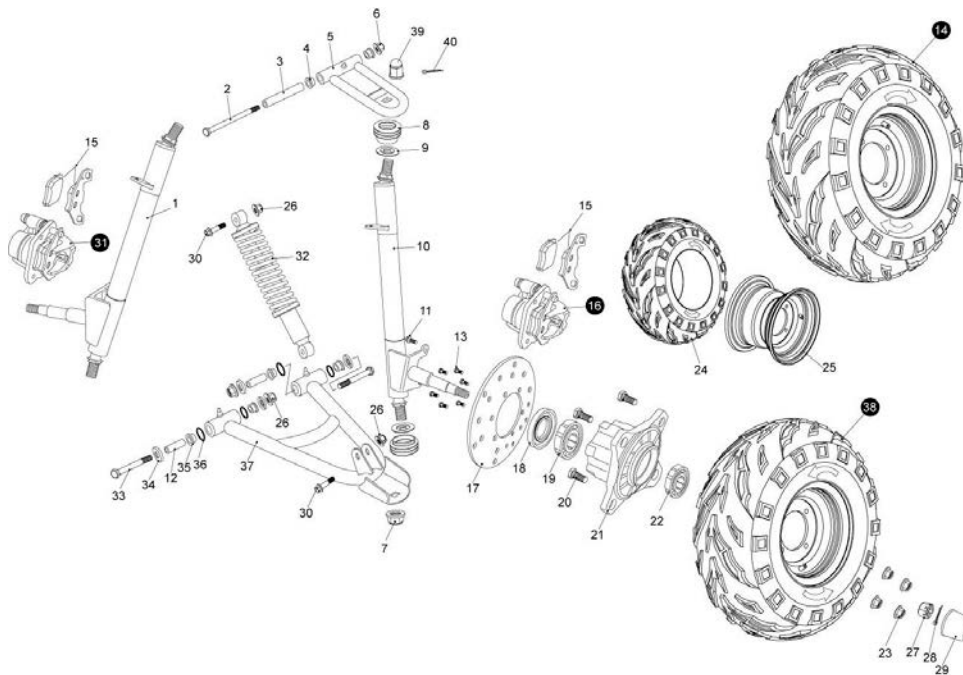
FIG. 23 RR. SWINGARM ASSY.



F23-1	12.023.001	NUT, M14X1.5(GB6187)	1
F23-3	12.023.003	NUT, M14X1.5	1
F23-4	12.023.004	ADJUSTER	1
F23-5	12.023.005	BOLT, M12X1.25X105	1
F23-6	M150-1004007	NUT, M12X1.25(GB6187)	3
F23-7	12.023.007	BUFFER RUBBER	4
F23-8	12.023.008	SHAFT BUSHING	1
F23-9	12.023.009	RR. PLATE	1
F23-10	7.020.022	BRAKE PADS	1
F23-11	12.023.011	RR. BRAKE CALIPER	1
F23-12	9.220.010	NUT, M10X1.25	8
F23-13	9.110.045	BOLT, M10X1.25X45	2
F23-14	12.023.014	RR. SHOCK	2
F23-15	9.110.040	BOLT, M10X1.25X40	2
F23-16	9.108.075	BOLT, M8X75(GB5787)	2

F23-17	12.023.017	RR. LH. FENDER BRACKET	1
F23-18	12.100.030	BOLT, M8X45(GB5787)	2
F23-19	7.010.064	RR. FENDER	2
F23-20	9.100.004	BOLT, M6X14	6
F23-21	9.112.060	BOLT, M12X1.25X60(GB5787)	2
F23-22	7.010.028	BATTERY COVER	1
F23-23	6.000.085	BATTERY	1
F23-24	12.023.024	BOLT, M10X1.25X72(GB5787)	4
F23-25	12.023.025	SMALL BUFFER RUBBER	4
F23-26	12.023.026	COVER, ELECTRIC BOX	1
F23-27	12.023.027	SCREW, M6X60	2
F23-28	12.023.028	WATER PROOF PLUG	2
F23-29	12.023.029	RR.SWINGARM	1
F23-30	7.020.023	BATTERY STRAP	1
F23-31	7.020.020	RUBBER PAD, BATTERY	1
F23-32	12.023.032	SMALL SWINGARM	1
F23-33	9.210.006	NUT, M6(GB6187)	8
F23-34	12.023.034	RR. RH. FENDER BRACKET	1
F23-35	12.023.035	SPRING WASHER 8 (GB93)	2
F23-36	12.023.036	WASHER 8 (GB97.1)	2

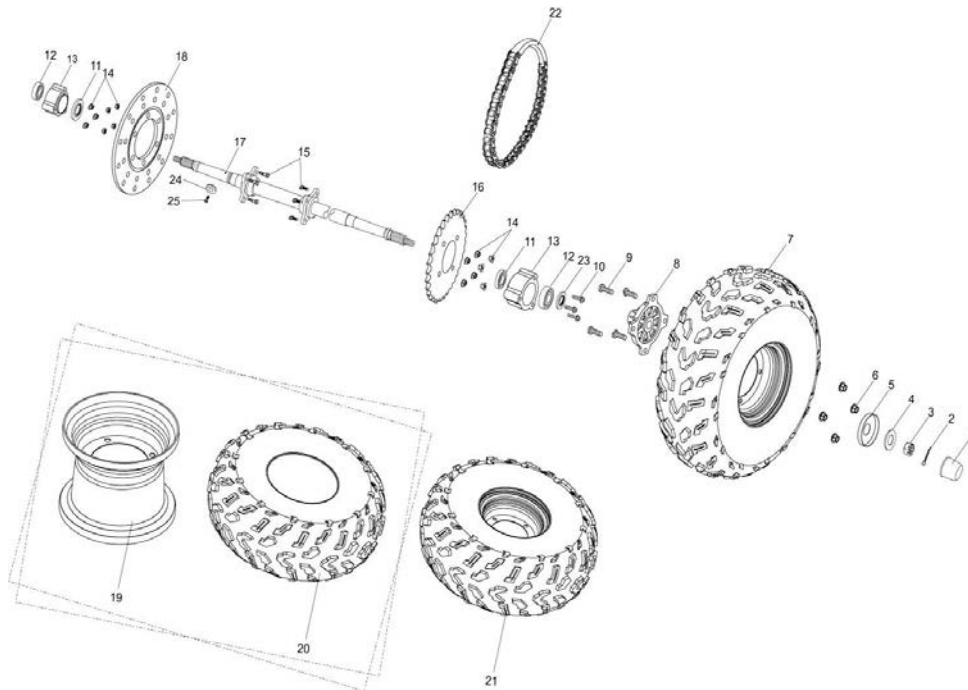
FIG. 24 SUSPENSION ARM ASSY.



F24-1	2.000.028	STRUT AND SPINDLE SUPPORT, R	1
F24-2	9.108.105	FLANGE BOLT M8X105	2
F24-3	8.010.015	UPPER SUSPENSION ARM COLLAR	2
F24-4	7.010.003	UPPER SUSPENSION ARM BUSHING	4
F24-5	4.000.004	UPPER SUSPENSION ARM	2
F24-6	9.220.008	LOCKING FLANGE NUT. M8	2
F24-7	7.010.140	LOCKING FLANGE NUT. M12	4
F24-8	7.020.025	BALL HEAD DUST SEAL	4
F24-9	8.020.053	BALL HEAD SPACER	4
F24-10	2.000.027	STRUT AND SPINDLE SUPPORT, L	1
F24-11	9.908.014	BOLT STRAP M8X14	4
F24-12	8.010.014	LOWER SUSPENSION ARM COLLAR	4

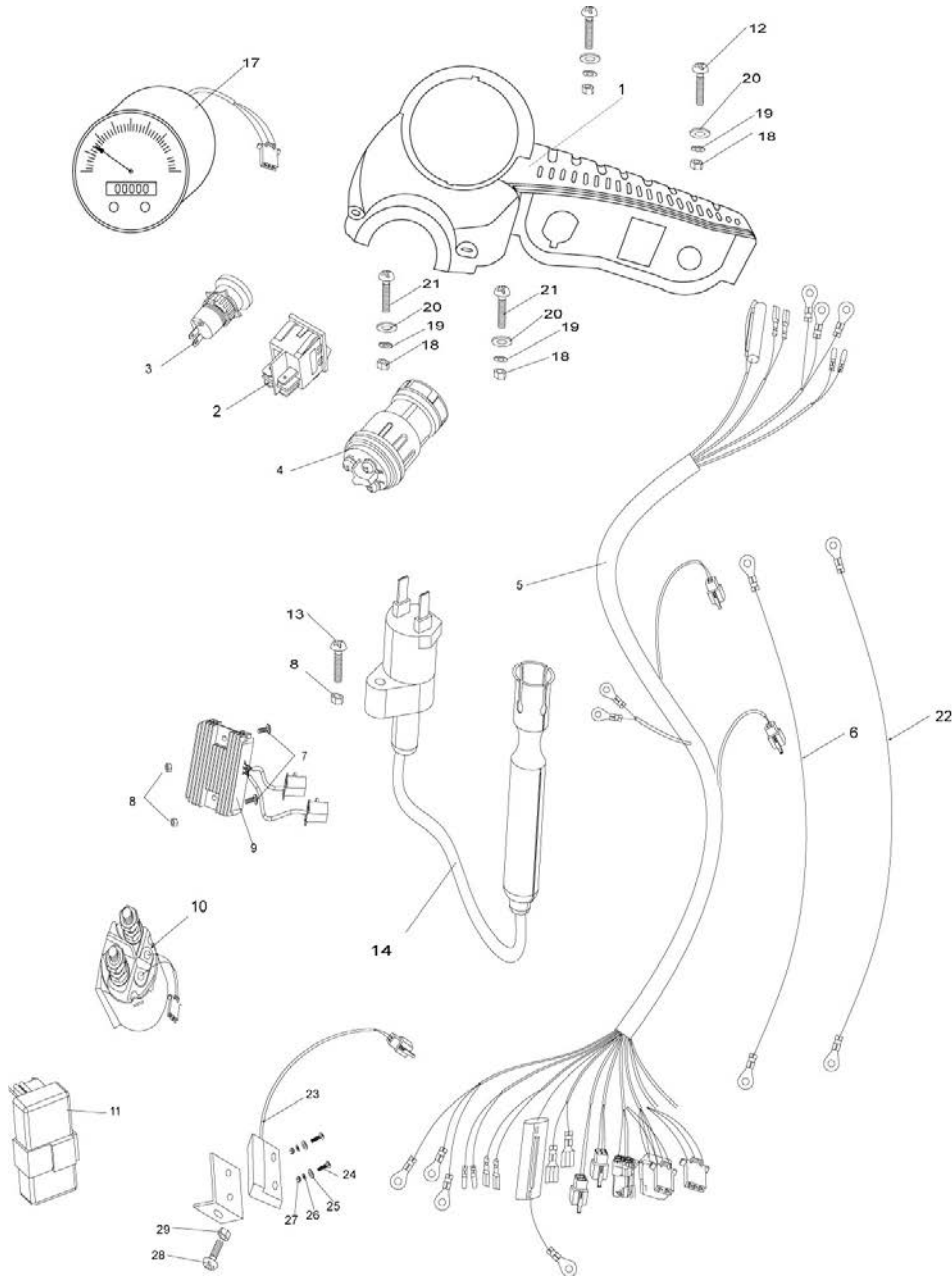
F24-13	9.906.012	BOLT STRAP M6X12	12
F24-14	12.024.014	FRONT WHEEL ASS'Y. R 19X7-8 GT250	1
F24-15	7.020.016	PAD SET. FR. BRAKE CALIPER	2
F24-16	6.000.028	FRONT BRAKE CALIPER. L	1
F24-17	8.010.054	FRONT DISC BRAKE	2
F24-18	9.040.002	DUST SEAL 47X25-7	2
F24-19	9.030.002	BEARING 6204-Z	2
F24-20	9.710.031	TIRE BOLT M10X1.25X31	8
F24-21	8.010.085B	FRONT WHEEL HUB	2
F24-22	9.030.010	BEARING 6202-Z	2
F24-23	9.220.010	LOCKING FLANGE NUT M10 X1.25 (GB6187)	8
F24-24	12.024.024	FRONT TIRE 19X7-8 GT250	2
F24-25	6.000.142B	FRONT RIM L/R	2
F24-26	9.220.010	LOCKING FLANGE NUT M10	16
F24-27	9.800.012	CASTLE NUT M14X1.5 (GB9459)	2
F24-28	12.024.038	COTTER PIN Φ 2.5X30 (GB91)	2
F24-29	7.020.039	FR. HUB COVER.	2
F24-30	9.110.040	FLANGE BOLT M10X1.25X40	4
F24-31	6.000.095	FRONT BRAKE CALIPER. R	1
F24-32	6.000.325	CUSHION ASSY. FR L=325	2
F24-33	9.110.080	FLANGE BOLT M10X1.25X80	4
F24-34	8.020.034	LOWER SUSPENSION ARM DUST CAP	8
F24-35	7.010.002	LOWER SUSPENSION ARM BUSHING	8
F24-36	9.040.001	O-RING Φ 21.2X2.65	8
F24-37	4.000.023	LOWER SUSPENSION ARM ASSY.	2
F24-38	12.024.038	FRONT WHEEL ASSY. L 19X7-8 GT250	1
F24-39	8.010.140	ACORN NUT M12X1.25 (GB6187)	2
F24-40	12.024.040	COTTER PIN Φ 2.5X25 (GB91)	2

FIG. 25 RR. AXLE



F25-1	7.020.039	CAP, HUB	2
F25-2	9.500.430	PIN SPECIAL3X40(GB91)	2
F25-3	9.800.016	NUT FLANGE M16X1.5(GB9459)	2
F25-4	9.700.016	RR. AXLE WASHER	2
F25-5			
F25-6	9.220.010	NUT FLANGE, M10X1.25(GB6187)	8
F25-7	12.025.007	RR. WHEELASSY. R	1
F25-8	8.010.056	RR. HUB	2
F25-9	9.710.031	TYRE BOLT, M10X1.25X31	8
F25-10	9.100.002	BOLT M8X60	6
F25-11	12.025.011	OIL SEAL30X55X12	1
F25-12	12.025.012	BEARING 6006	2
F25-13	12.025.013	BEARING BASE	2
F25-14	9.220.008	NUT M8 (GB6187)	14
F25-15	12.025.015	BOLT HHFS M8 X 25(GB5787)	8
F25-16	12.025.016	SPROCKET, DRIVEN(39TEETH)	1
F25-17	12.025.017	AXLE GT250	1
F25-18	12.025.018	BRAKE DISC	1
F25-19	6.000.105	RR. RIM L/R	2
F25-20	12.025.020	RR. TIRE	2
F25-21	12.025.021	RR. WHEELASSY. L	1
F25-22	12.025.022	DRIVE CHAIN(530H-50 LINKS)	1
F25-23	12.025.023	OIL SEAL30X56X12	1
F25-24	12.025.024	MAGNETIC CONTACT	1
F25-25	12.025.025	EYE BOLT, M3X6	1

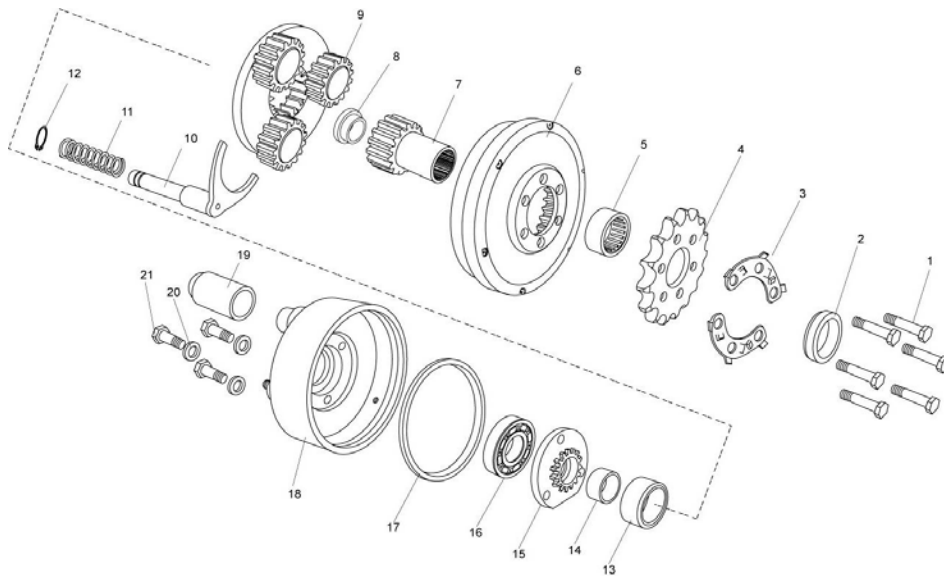
FIG. 26 WIRE HARNESS/ELECTRICAL



F26-1	12.026.001	SWITCH PANEL COVER	1
F26-2	6.000.058	HEADLIGHT SWITCH	1
F26-3	6.000.159	ENGINE STOP BUTTON	1
F26-4	6.000.020-J	IGNITION START SWITCH	1
F26-5	12.026.005	WIRE HARNESS.	1
F26-6	12.026.006	2ND WIRING HARNESS A (GREEN)	1
F26-7	9.100.630	BOLT, M6X30(GB5787)	2
F26-8	9.210.006	NYLON LOCKING NUT M6(GB6187)	2
F26-9	6.000.250	REGULATE RECTIFIER COMP.	1
F26-10	6.000.256	STARTING RELAY	1
F26-11	6.000.255	C.D.I. UNIT COMP.	1
F26-12	12.026.012	SCREW M4X22(GB818)	2
F26-13	12.026.013	BOLT, M6X25(GB5787)	1
F26-14	6.000.257	IGNITION COIL COMP.	1
F26-15			
F26-16			

F26-17	12.026.017	DASHBOARD	1
F26-18	9.200.004	NUT, M4(GB6170)	4
F26-19	12.026.019	SPRING WASHER 4(GB93)	4
F26-20	12.026.020	WASHER 4 (GB97.1)	4
F26-21	12.026.021	SCREW M4X16 (GB818)	1
F26-22	12.026.022	2ND WIRING HARNESS B(RED)	1
F26-23	12.026.023	SPEEDOMETER	1
F26-24	12.026.024	SCREW, M3X10 (GB818)	1
F26-25	12.026.025	SPRING WASHER, 3 (GB93)	2
F26-26	12.026.026	FLAT WASHER,3 (GB97.1)	2
F26-27	12.026.027	NUT, M3 (GB6170)	2
F26-28	9.100.005	BOLT, M6X20 (GB5787)	2
F26-29	9.200.006	NUT, M6 (GB6187)	2
F26-30	12.026.030	SPEEDOMETER BRACKET	1

FIG. 27 REVERSE ASSY.



F27-1	9.100.625	BOLT M6X25	6
F27-2	12.027.002	INTERNAL COLLAR	1
F27-3	12.027.003	KEEPER	2
F27-4	12.027.004	DRIVE SPROCKET	1
F27-5	12.027.005	NEEDLE BEARING 30X40X20	1
F27-6	12.027.006	GEAR CASE. L	1
F27-7	12.027.007	DRIVE GEAR	1
F27-8	12.027.008	BUSHING	1
F27-9	12.027.009	COUNTER GEAR SHAFT COMP	1
F27-10	12.027.010	GEAR SHIFT YOKE	1
F27-11	12.027.011	GEAR SHIFTING YOKE SPRING	1
F27-12	9.700.112	CIRCLIP Φ 12	1
F27-13	12.027.013	NEEDLE BEARING 17X30X14	1
F27-14	12.027.014	BUSHING. DRIVE GEAR	1
F27-15	12.027.015	GEAR SEAT	1
F27-16	12.027.016	BEARING 6203-Z	1
F27-17	12.027.017	RUBBER OIL SEAL	1
F27-18	12.027.018	GEAR CASE. R	1
F27-19	12.027.019	SHIFTING YOKE COVER	1
F27-20	9.030.008	WASHER Φ 8	3
F27-21	9.100.821	SCREW PAN M8X20	3