

Owner's Manual

Parts Manual

Twister
Hammerhead

READ THIS MANUAL CAREFULLY,
IT CONTAINS IMPORTANT SAFETY INFORMATION.

GT200IIR

**MINIMUM
RECOMMENDED
OPERATOR AGE: 16**



FOR OFF-ROAD USE ONLY

This vehicle is designed and manufactured for off-road use only.

USA only:

It does not conform to Federal Motor Vehicle Safety Standards, and in regards to operation on public streets, roads, or highways is illegal.

GT200 Limited Warranty

This warranty policy only applies vehicles unloaded from their shipping containers, set up and delivered by an authorized dealer, and that under normal use and service is found to have defects in parts or workmanship under the following terms and conditions. This warranty covers the kart and engine related components for a period of 90 days.

This warranty does not apply to any part, which in opinion of seller was defective because of improper maintenance, improper assembly, alterations, abuse, negligence or accident.

Should warranty service be required on your GT200IIR during the 90 days warranty period, please contact your nearest authorized dealer for repairs.

What is not covered under this warranty

Damage or faults caused by misuse, negligence, alterations, accidents or any abnormal use including the use of non genuine parts, renting or leasing, competition or racing. This warranty does not cover loss of use of the unit or loss of time, or inconvenience or normal wear and deterioration of consumable items such as spark plugs, chain, brake shoes, fuses, clutch plates, sprockets, light bulbs, battery and tires.

CONTENTS

OWNER' S MANUAL

	Page
1. FOREWORD -----	1
2. A FEW WORDS ABOUT SAFETY -----	2
3. IMPORTANT SAFETY INFORMATION -----	3
4. STEERING ADJUSTMENT -----	5
5. SAFETY LABELS -----	6
6. ARE YOU READY TO DRIVE ? -----	7
6. SAFE DRIVING PRECAUTIONS -----	9
7. P.D.L -----	11
8. SPECIFICATIONS -----	12
9. OPERATION -----	14
10. OPERATION/SERVICE INSTRUCTIONS -----	18
11. SERVICE INSTRUCTIONS -----	18
12. REPAIR -----	22
13. PERIODICAL CHECK AND SERVICES -----	24

PARTS MANUAL

	Fig
1. CYLINDER HEAK ASSY. -----	Fig.1
2. CYLINDER ASSY. -----	Fig.2
3. CRANKCASE ASSY.(1) -----	Fig.3
4. CRANKCASE ASSY. -----	Fig.4
5. CRANKSHAFT CON'ROD & PISTON ASSY. -----	Fig.5
6. CAMSHAFT ASSY. -----	Fig.6
7. LEFT CRANKCASE COVER ASSY. -----	Fig.7
8. FAN COVER AND SHROUD ASSY. -----	Fig.8
9. OIL PUMP ASSY. -----	Fig.9
10. DRIVEN PULLEY AND CLUTCH SUBASSY. -----	Fig.10
11. OIL COOLER ASSY.&TIMING CHAIN COMP. -----	Fig.11
12. ELECTRIC SYSTEM -----	Fig.12
13. ELECTRIC STA RTER ASSY. -----	Fig.13
14. DRIVE PULLEY SUBASSY. -----	Fig.14
15. CARBURETOR -----	Fig.15
16. REVERSE GEARBOX ASSY. -----	Fig.16
17. SHIFT YODE SHAFT COMP. -----	Fig.17
18. FRAME GROUP -----	Fig.18
19. STEERING SHAFT ASSY. -----	Fig.19
20. SUSPENSION ARM ASSY. -----	Fig.20
21. REAR CARGO RACK/SEAT/BELT. -----	Fig.21
22. REAR SWING ARM ASSY.UPPER -----	Fig.22
23. ENGING/MUFFLER/AIR CLEANER -----	Fig.23
24. REAR SWING ARM -----	Fig.24
25. REAR HOUSING -----	Fig.25
26. WIRE HARNESS/ELECTRICAL -----	Fig.26
27. WARNING STICKERS -----	Fig.27

Thank you for purchasing our Kart. We hope you will enjoy it. Before you start to operate the Kart, please read through this Owner's Manual carefully as it contains important safety and maintenance information. Failure to follow the warnings contained in this manual can result in serious injuries or death.

Be sure to follow the recommended maintenance schedule and service your kart accordingly. Preventive maintenance is extremely important to the longevity of your Kart.

Beginners should seek instructions from your dealer or qualified instructors before and during initial use of the kart. It is also recommended to practice in a large open area and familiar with operations of this kart.

We hope you will have a pleasant experience with our products and thanks again for choosing our Kart.

A FEW WORDS ABOUT SAFETY

In order to keep everyone safe, you must take responsibility for the safe operation of your Kart.

To help you make informed decisions about safety, we have provided operating procedures and other information on labels and in this manual. This information alerts you to potential hazards that could hurt you or others.

It is not practical or possible to warn you about all hazards associated with operating or maintaining a Kart. You must use your own good judgment.

You will find important safety information in a variety of forms, including:

Safety Labels – On the Kart.

Safety Messages – Preceded by a safety alert symbol  and one of two signal words: **WARNING**, or **CAUTION**.

These signal words mean:



Physical harm may result from failure to adhere to the instructions that are described within the **WARNING** labels.

Safety Headings — such as Important Safety Reminders or Important Safety Precautions.

Safety Section — such as Kart Safety.

Instructions — how to use this Kart correctly and safely.

This entire manual is filled with important safety information—please read it carefully.

IMPORTANT SAFETY INFORMATION

Your Kart will provide you with many years of service and pleasure. Providing you take responsibility for your own safety and understand the challenges you can meet while driving.

There is much that you can do to protect yourself while operating your kart. You'll find many helpful recommendations throughout this manual. The following are a few that we consider most important.

Follow the Age Recommendation

Adult Supervision should be present for all people under the age of 16.

Always Wear a Helmet

It's a proven fact: helmets significantly reduce the number and severity of head injuries. Always wear an approved motorcycle helmet. We also recommend that you wear eye protection, sturdy boots, gloves, and other protective gear.

Drive Off-Road Only

Your Kart is designed and manufactured for off-road use only. The tires are not made for pavement, and the Kart does not have turn signals and other features required for use on public roads. If you need to cross a paved or public road, get off and walk your Kart across.

Take Time to Learn & Practice

Even if you have driven other Karts, take time to become familiar with how this Kart works and handles. Practice in a safe area until you build your skills and get accustomed to this Kart's size and weight.

Because many accidents involve inexperienced or untrained drivers, we urge all drivers to take a training course approved by the Go-Kart Safety Institute. Check with your dealer for more information on training courses.

Be Alert for Off-Road Hazards

The terrain can present a variety of challenges when you drive off-road. Continually "read" the terrain for unexpected turns, drop-offs, rocks, ruts, and other hazards. Always keep your speed low enough to allow time to see and react to hazards.

IMPORTANT SAFETY INFORMATION

Drive within Your Limits

Pushing limits is another major cause of Kart accidents. Never drive beyond your personal abilities or faster than conditions warrant. Remember that alcohol, drugs, fatigue, and inattention can significantly reduce your ability to make good judgments and drive safely.

Don't Drink and drive

Alcohol and driving don't mix. Even one drink can reduce your ability to respond to changing conditions, and your reaction time gets worse with every additional drink. So don't drink and drive, and don't let your friends drink and drive either.

Do not operate this Kart at night.

Dark vision can greatly reduce a driver's visibility and judgment. So driving at night is dangerous and can increase the possibility for an accident.

Never run your Kart indoors.

The exhaust from the engine contains a tasteless, odorless and poisonous gas called carbon monoxide.

Keep away from moving parts of the Kart

The operator of the Kart should never place their hands or other parts of their body near any moving part of the Kart. Failure to adhere to this warning will cause physical harm to your body.

Skidding or Sliding

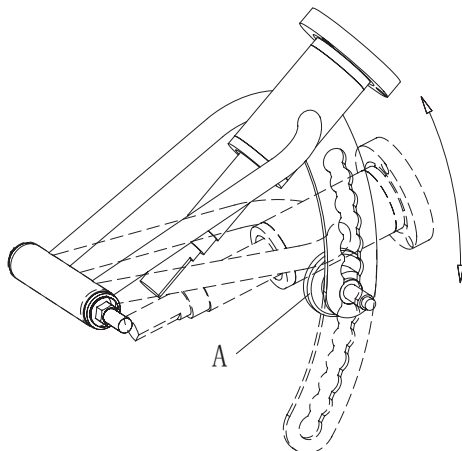
The terrain surface can be a major factor affecting turns. Skidding in a turn is more likely to occur on slippery surfaces such as snow, ice, mud and loose gravel. If you skid on ice, you may lose all directional control. To avoid skidding on slippery terrain, keep you speed low and drive carefully.

Arms In

At all time the driver and rider needs to keep their arms inside the kart during the riding, in the case of a roll over, the driver must keep his or her hands on the steering. Not doing this will cause serious injury.

STEERING ADJUSTMENT

Steering adjustment



Your kart comes with tilt steering. To adjust, you should unscrew the adjusting knob marked A, unscrew out till the arm can move up and down. Pick the best spot for your comfort and retighten the adjusting knob.

WARNING

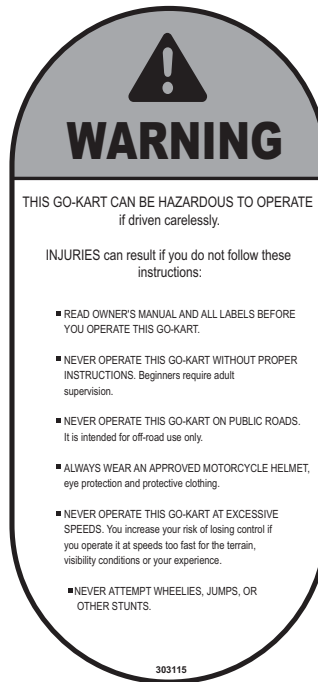
Before attempting to run your kart, make sure the adjusting knob has been tightened.

WARNING

Do not run your kart without the adjusting knob. This could result in severe personal injury or lose of control of your kart.

This section presents some of the most important information and recommendations to help you drive your Kart safely. Please take a few moments to read these pages.

The labels should be considered permanent parts of the Kart. If a label comes off or becomes hard to read, contact your dealer for warning label replacements.



ARE YOU READY TO DRIVE ?

Before each drive, you need to make sure that you and your kart are both ready to drive. To help get you prepared, this section discusses how to evaluate your driving readiness, what items you should check on your kart, and adjustments to make for your comfort, convenience, or safety.

Before you drive your kart for the first time, we urge you to:

- Read this owner's manual and the labels on your kart carefully.
- Make sure you understand all the safety messages.
- Know how to operate all the controls.

Before each drive, be sure:

- You wear your seat belt at all times while driving your kart.
- You feel well and are in good physical and mental condition.
- You are wearing an approved motorcycle helmet (with chin strap tightened securely), eye protection, and other protective clothing.
- You don't have any alcohol or drugs in your system.

Protective Apparel

For your safety, we strongly recommend that you always wear an D.O.T. approved motorcycle helmet, eye protection, boots, gloves, long pants, and long-sleeved shirt or jacket whenever you drive.

Although complete protection is not possible, wearing proper gear can reduce the chance of injury should you have an accident.

The following suggestions will help you choose the proper protective gear.

Helmets and Eyes Protection

Your helmet is your most important piece of protective gear because it offers the best protection against head injuries. A helmet should fit your head comfortably and securely.

An open-face helmet offers some protection, but a full-face helmet offers more. Regardless of the style, look for a D.O.T. (Department of Transportation) sticker on any helmet you buy. Always wear a face shield or goggles to protect your eyes and help your vision.

WARNING

Operating this kart without wearing an approved motorcycle helmet, eye protection, and protective clothing could increase your chances of head and/or eye injury, and the possibility of death in the event of a severe accident.

Always wear an approved motorcycle helmet that fits properly and wear eye protection (goggles or face shield), gloves, boots, long-sleeved shirt or jacket and long pants.

ARE YOU READY TO DRIVE ?

Additional Driving Gear

In addition to a helmet and eye protection, we also recommend:

Sturdy off-road motorcycle boots to help protect your feet, ankles, and lower legs.

Off-road motorcycle gloves to help protect your hands.

Driving pants with knee and hip pads, a driving jersey with padded elbows, and a
knee protector.

Driver Training

Developing your driving skills is an on-going process. Even if you have driven other karts, before take time to become familiar with how this kart works and handles. Practice driving the kart in a safe area to develop your skills. Do not drive on rough terrain until you get accustomed to the kart's controls, and feel comfortable with its size and weight.



WARNING

Operating this kart without your seat belt could cause you to be thrown from the kart, causing serious injury or death.

No Alcohol or Drugs

Alcohol, drugs and karts don't mix. Even a small amount of alcohol can impair your ability to operate a kart safely. Likewise, drugs—even if prescribed by a physician—can be dangerous while operating a kart. Consult your doctor to be sure it is safe to operate a vehicle after taking medication.



WARNING

Operating this kart after consuming alcohol or drugs can seriously affect your judgment, cause you to react more slowly, affect your balance and perception, and could result in serious injury or death.

Never consume alcohol or drugs before or while operating this kart.

IS YOUR VEHICLE READY TO DRIVE?

Before each drive, it is important to inspect your kart and make sure any problems you find are corrected. A pre-drive inspection is a must, not only for safety, but because having a breakdown, or even a flat tire, can be a major inconvenience.

If your kart has overturned or has been involved in a collision, do not drive it until your kart has been inspected by your dealer. There may be damage or other problems that you can not see.



WARNING

Improperly maintaining this kart or failing to correct a problem before driving can cause a crash in which you can be seriously hurt or killed.

Always perform a pre-drive inspection before every drive and correct any problems.

SAFE DRIVING PRECAUTIONS

Off-Road Use Only

Your kart and its tires are designed and manufactured for off-road use only, not for use on paved surfaces. Driving on paved surfaces can affect the kart handling and control.

WARNING

Operating this kart on paved surfaces may seriously affect handling and control of the kart, and may cause the vehicle to go out of control.

Never operate the kart on any paved surfaces, including sidewalks, driveways, parks lots and streets.

When driving off-road, also remember to always obey local off-road driving laws and regulations. Obtain permission to drive on private property. Avoid posted areas and obey "no trespassing" signs.

You should never drive your kart on public streets, roads or highways, even if they are not paved. Drivers of street vehicles may have difficulty seeing and avoiding you, which could lead to a collision.

WARNING

Operating this kart on public streets, roads or highways could cause a collision with another vehicle.

Never operate this kart on any public streets, roads or highways, whether they are dirt, gravel or paved surfaces.

Keep Hands and Feet on Controls

When driving your kart, always keep both hands on the steering wheel and both feet on the foot controls. It is important to maintain your balance and to control the kart. Removing hands or feet away from the controls can reduce your ability to react and control the kart.

WARNING

Removing your hands from the steering wheel or feet from the foot controls during operation can reduce your ability to control the kart or could cause you to lose your balance and fall off the kart.

Always keep both hands on the steering wheel and both feet on the foot controls of your kart during operation.

Control Speed

Driving at excessive speed increases the chance of an accident. In choosing a proper speed, you need to consider the capability of your Kart, the terrain, visibility and other operating conditions, plus your own skills and experience.



WARNING

Operating this Kart at excessive speeds increases your chances of losing control of the Kart, which can result in an accident.

Always drive at a speed that is proper for your Kart, the terrain, visibility and other operating conditions, and your experience.

Use Care on Unfamiliar or Rough Terrain

Before driving in a new area, always check the terrain thoroughly. Don't drive fast on unfamiliar terrain or when visibility is limited. (it's sometimes difficult to see obstructions like hidden rocks, bumps, or holes in time to react.)



WARNING

Failure to use extra care when Operating this Kart on unfamiliar terrain could result in the Kart overturning or going out of control.

Go slowly and be extra careful when operating on unfamiliar terrain. Always be alert to changing terrain conditions when operating the Kart.

Never drive past the limit of visibility. Maintain a safe distance between your Kart and other off-road vehicles. Always exercise caution and use extra care on rough, slippery and loose terrain.



WARNING

Failure to use extra care when operating on excessively rough, slippery or loose terrain could cause loss of traction or vehicle control, which could result in an accident, including an overturn.

Do not operate on excessively rough, slippery or loose terrain until you have learned and practiced the skills necessary to control the Kart on such terrain. Always be especially cautious on these kinds of terrain.

Do Not Perform Stunts

You should always operate your Kart in a safe and reasonable manner. When driving, always keep all four wheels on the ground.

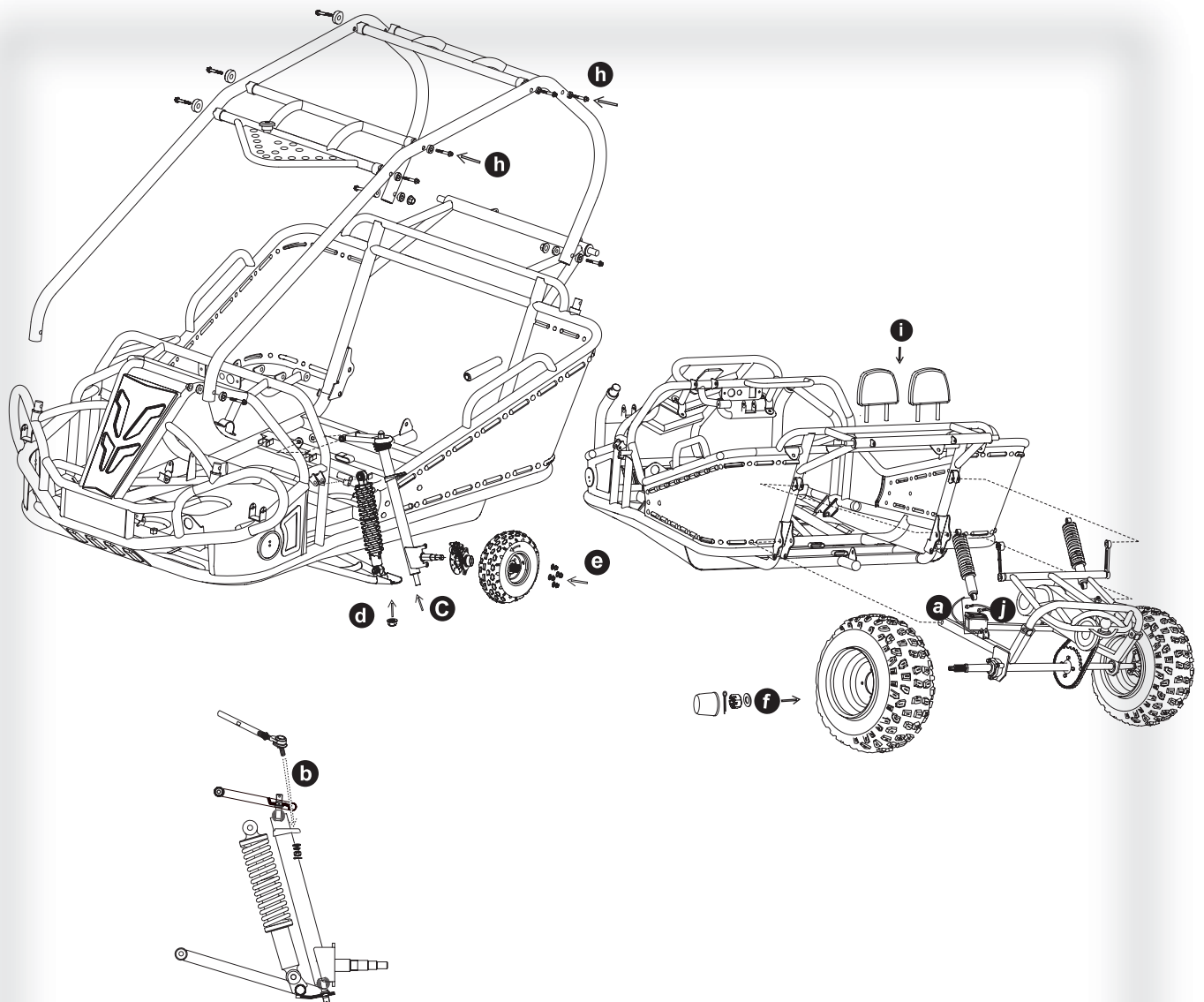


WARNING

Attempting wheelies, jumps, and other stunts increases the chance of an accident, including an overturn.

Never attempt stunts, such as wheelies or jumps. Don't try to show off.

- a. Install RR. Shocks and tighten the nuts.
- b. Install Ball Head, Tie Rod, tighten the Castle Nut and insert the cotter Pin.
- c. Install Dust Seals, align the Ball Head Bolt, Knuckle Support to the square hole on the Lower A-Arm.
- d. Install Flange Nut and tighten it (> 88.9 foot lbs)
- e. Install Front Tires and tighten the nuts.
- f. Install Rear Tires, tighten the nuts, insert cotter Pin and put on the Rubber Cover.
- h. Install C.B.C custom bar cage RR., put on R-Washer.
- i. Install Head-Rest.
- j. Check all nuts and bolts, wiring, cables, fuel line, switches and tire pressure.
- k. Fill battery with Acid and charge, check and fill the engine with the recommended oil.
- l. Fill fuel tank with Unleaded Gasoline, and turn on the ignition switch to start the engine.



DIMENSIONS

Overall Length -----	85 in. (2160mm)
Overall Width -----	53 in. (1346mm)
Overall Height -----	57.4 in. (1458mm)
Wheelbase -----	59 in. (1500mm)
Front Track -----	45.7 in. (1160mm)
Rear Track -----	39.4 in. (1000 mm)
Ground Clearance -----	6.7 in. (170mm)

ENGINE

Type -----	Oil & Air cooled. 4-Stroke
Engine capacity -----	150cc
Bore / Stroke -----	57.4mm x 57.8mm
Displacement -----	149.6cm ³
Corrected compression ratio -----	9.2:1
Carburator -----	KF,CB24J
Output Power -----	7.4Kw/7500rpm
Maximum Torque -----	13/5500 foot lbs/r/min
Starting -----	Electric
Ignition -----	C.D.I.
Lubrication -----	Force & Splash
Transmission -----	Automatic (C.V.T system)
Spark plug -----	C7HSA(NGK)
Plug gap -----	0.6-0.7mm
Fuel Type -----	RQ90 (unleaded)
Lubricate oil -----	SAE-10W/40

CAPACITIES

Maximum load-----	Double Seats/400lbs
Fuel tank -----	1.75 Gal
Engine oil -----	30 Oz
Starting -----	<5s
Climbing -----	20 -25
Battery -----	12V 8 Ah
Head Light -----	12V 35W/35W
Tail Light -----	12V 21W/5W
Fuse -----	10A

SPECIFICATIONS

Brake Track ----- < 7 m@20miles/h
Top speed ----- 30 miles/h(or limited as customers require)

CHASSIS

Front, Rear brake ----- Hydraulic disc, left foot control
Front tire ----- 19 x 7-8
Rear tire ----- 21 x 10 -10
Front Suspension ----- Independent Dual A-Arm
Rear Suspension ----- Swing Arm/Double Oil Damped Shock
Restraint System ----- Dual 4-point Harness
Final Drive Chain ----- (KMC) O-Ring Chain

TIRE PRESSURE

Front -----147kPa 1.5kg/cm² 21.3psi
Rear -----196kPa 2.0kg/cm² 28.4psi

WEIGHT

Net Weight ----- 465 lbs

A. Operation controls

WARNING - Do not attempt to start or operate the engine until completely familiar with the location and use of each control necessary to operate this vehicle. The operator must know how to stop this machine before starting and driving it.

a. Throttle

The right foot pedal is the throttle that controls the Kart speed. As the engine speed increased above idle, the clutch automatically engages and moves the vehicle forward. To disengage the clutch at any time, allow the throttle to return to the idle position.

(See Fig. 1)



WARNING

Each time prior to starting the engine, check the throttle assembly to ensure that when the pedal is pushed all the way forward the assembly is working smoothly and returns to idle when released. Do not operate if pedal or engine throttle linkage fail to return to idle. If unable to correct the problem through lubrication, adjustment or replacement of worn parts, contact your dealer for assistance.

b. Brake

The brake is located on the left side of the kart (See Fig.1). Applying pressure to the pedal draws the brake caliper around the brake pump at the rear wheel and slows or stops the kart.

c. Start engine

Insert the key into key-switch, turn the key clockwise, release the key when the engine starts. The engine will warm up within 5 minutes and the engine choke will close automatically and operate at the normal RPM (Warning: Don't crank starter more than 5 seconds at one time).

d. Engine stop button

Important-stop button test.

Before driving this vehicle, test the Engine Stop Button to assure that it is operating properly. With the engine running, push and hold the Engine Stop Button for two seconds for the engine to shut down.

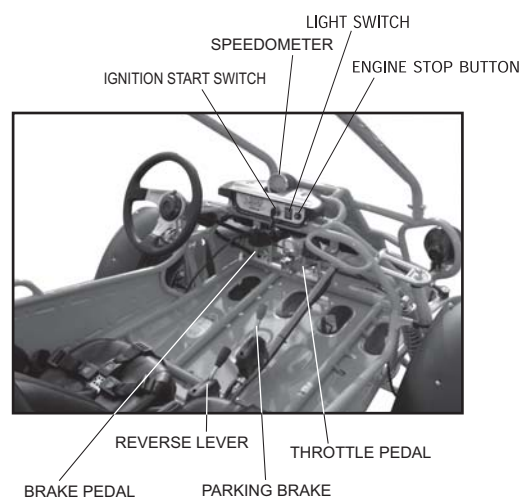


Figure 1

B. Pre-Drive Inspection

 **WARNING**

Perform this pre-drive inspection everyday before driving vehicle. If not performed, serious damage to the vehicle or personal injury may result.

- a. Check for Engine Oil Level. Check for leaks, add oil if required.
- b. Check for Fuel Level. Add fuel as necessary and do not overfill. Check for leaks.
- c. Check for Brakes. Depress the rear brake pedal several times, then check for proper brake pedal freeplay. Make sure there is no brake fluid leakage. Adjust if necessary.
- d. Check Tires. Check tires condition and pressure. The pressure on both Front and Rear tire is 5 and 8 lbs respectively.
- e. Check Drive Chain. Check for drive chain's condition and tension. Lubricate if necessary.
- f. Check Throttle. Check for smooth operation. Assure throttle "snaps" back to idle.
- g. Check Engine Stop Button. Perform engine stop button test. Repair as necessary.
- h. Check all Nuts, Bolts, and fasteners. Check wheels to see that all axle nuts and lug nuts are tightened properly. Check and tighten as necessary all other fasteners to specified condition.
- i. Check C.B.C Bar. Ensure all protective C.B.C bars are in place before operating the Kart.
- j. Check Brake Light. Check for proper operation.
- k. Check Wheels. Check for tightness of wheel nuts and axle nuts; check that axle nuts are secured by cotter pins.
- l. Check Steering. Check for free operation for any unusual looseness in any area.

 **CAUTION**

Always follow rules for safe operation and wear a helmet.

Component locations

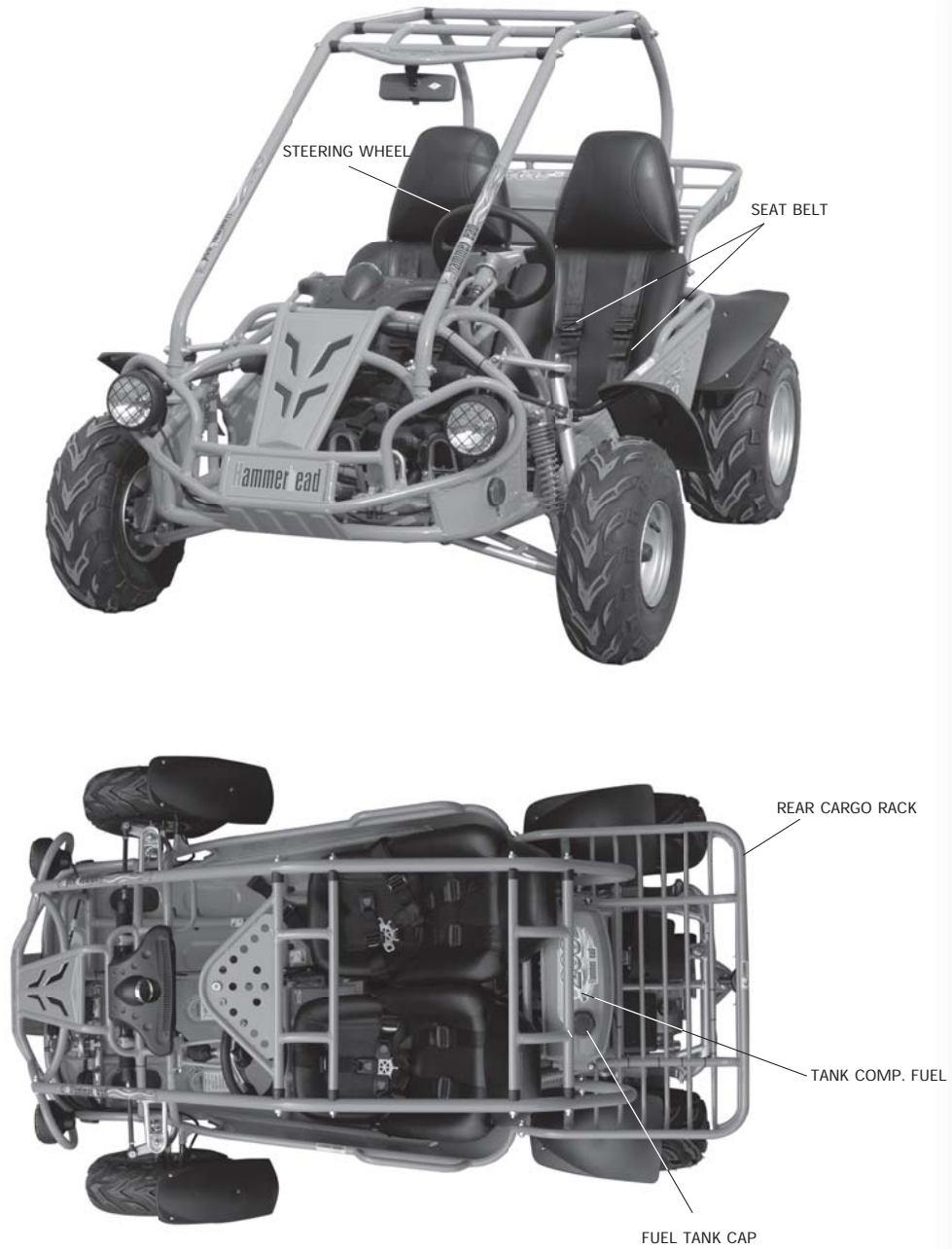


Figure 2

C. Passengers

The vehicle allows for two riders only. Combine maximum weight of driver and the passenger should not exceed 180kg or 400lbs.

D. Seat Adjustment

The seat must always be securely fastened in the position which best affords the operator control of the foot pedals, steering wheel, and the remote stop button.

- a. Pull seat adjustment handle upward to disengage seat slide.
- b. Move seat to desired position.
- c. Be sure seat adjustment handle snaps back into place and that seat is locked into position.

Figure 3



Before attempting to adjust the seat, ensure that kart engine is stopped.



Never operate this Kart when the provided seat is not securely fastened, to do so could result in a strong possibility of severe personal injury or loss of life. Before attempting to adjust the seat, ensure the kart engine is stopped.

E. Reverse Adjustment

a. Push forward the reverse lever to the "D" position so that the unit can move forward, pull back the lever to "R" so that the unit can move backward. (See Fig.4)

b. When reverse lever is in the drive position, there need to be 1/2 inch of freeplay in the reverse level. If the adjustment is not correct, then loosen the lock nut #2, then adjust lock nut #1 to the proper amount of freeplay.

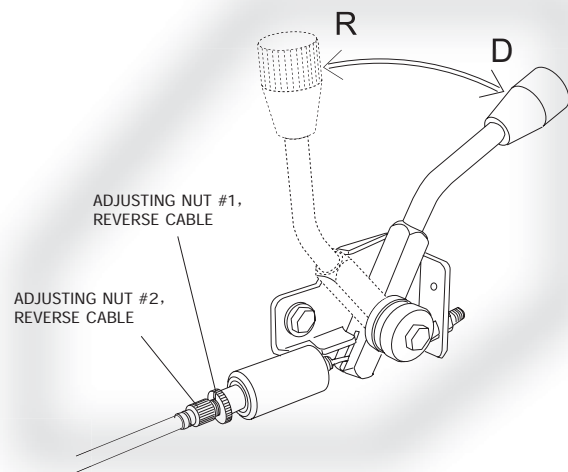


Figure 4

Always stop the kart before changing gears.

F. Starting And Operating Instructions

- a. Before starting the engine, be sure that the driver is seated properly in the Kart with the seat belt.
- b. Testing the Kart in an open space at the beginning to learn how to start, turn and stop.
- c. Operate the Kart slowly until you are familiar with it.
- d. The turning radius of this Kart is small and agile, so the centrifugal force is very high when turning at high speed. Slow down to a more controllable speed when turning to prevent the Kart from rolling over.
- e. To prevent vehicle from rolling over, be sure to only turn the vehicle at a slow more controllable speed. Heel on the ramp of the main board when turning. (See Fig.5) Keep your leg rely on the foot pedal, you can feel the kart is stable because of the gravity is adjusted and won't roll over.



Figure 5

SERVICE INSTRUCTIONS

A. Service Air Cleaner

Service air cleaner every 20 hours

NOTE: Service more often under dusty conditions.

- a. Remove cleaner cover
- b. Remove air cleaner element 2 (See Fig.6)
- c. Fill the non-flammable cleaning agent into a basin and dip the element in it.
- d. Dry it after cleaning.

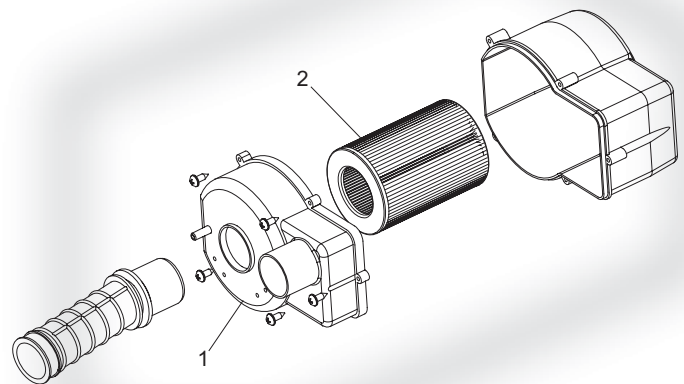


Figure 6

SERVICE INSTRUCTIONS

B. Engine Lubrication

You must change the oil in the crankcase after the first 5 hours of operating of your new engine (See Fig. 7) and after 10 hours of use thereafter. That will insure proper lubrication of internal parts and prevent costly repairs due to excessive wear.



- Remove drain plug located on the right rear side of engine. Tip kart backwards slightly by blocking up the front end and drain oil into suitable container.
- Remove and clean Oil Screen.
- Replace drain plug and tighten securely. Place kart in a level position.
- Refill crankcase (approximately 1 1/4 pint) to top of filler neck with SAE 10W40 oil. Use same grade of oil as used originally.
- Check oil level before each use of kart or after each 10 hours of operation. Add oil to bring up to proper level. Do not mix various grades of oil.

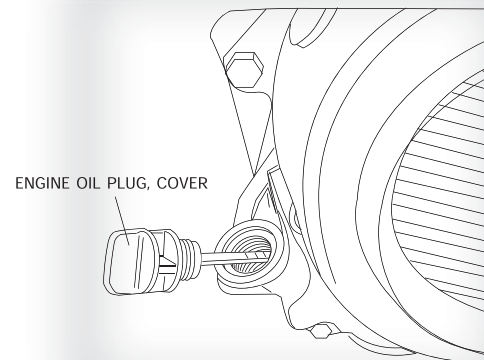


Figure 7

C. Spark Plug

- Remove the spark plug and inspect it each time you change the oil. (Use a spark plug wrench) The electrodes should be kept clean and free of carbon. The presence of carbon or excess oil will greatly reduce proper engine performance. If possible, check the spark plug gap (area between electrodes) using a wire feeler gauge. This specification is 0.6~0.7mm.
- Before installing spark plug coat threads lightly with graphite grease if possible, to ensure easy removal next time the spark plug needs inspection.
- It is advisable to replace the spark plug at least once a year to insure easy starting and good engine performance.

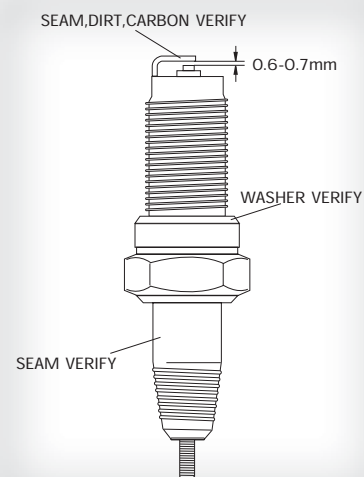


Figure 8

D. Carburetor Adjustment

Never make unnecessary adjustments. The factory recommended settings are correct for most applications.

- a. Warm up the engine (5~10min)
- b. Tighten the air screw gently. Backout 2-3/8 turns counter clockwise.
- c. Connect the tachometer, adjust the throttle to limit the idle speed. The standard value is (1400RPM).
- d. Turn the air screw counter clockwise slowly and observe the RPM of the engine, stop adjusting as the RPM reaches the top speed.
- e. Adjust the screw and adjust the idle speed to an ideal value.
- f. Recheck and readjust the idle speed if necessary.

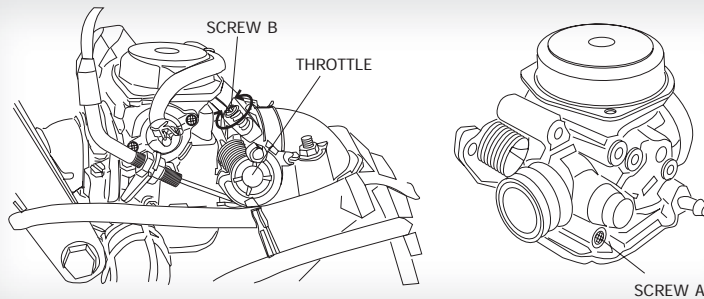


Figure 9

E. Cleaning Instructions

Keep your kart clean. With a clean rag, wipe off any dirt and oil from around controls. Wipe off any spilled fuel and oil. Keep the engine clean of foreign objects, and be sure to check that air intake fan is free of debris for proper cooling.

F. Kart Lubrication

Lubricate vehicle every 90 days of use. Lubrication should be done sooner, if kart is used everyday.

G. Chain Lubrication

To increase chain life, it should be lubricated with a spray on type chain lubricant.

(See Fig. 10)

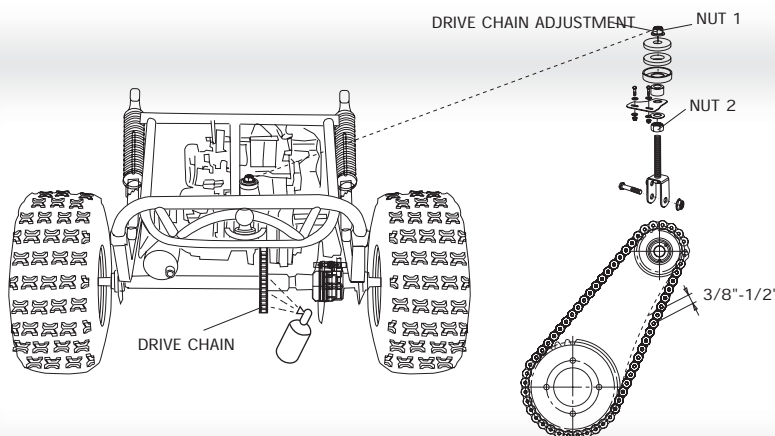


Figure 10

H. Chain Adjustment

Check the chain adjustment after first two hours of use. Readjust if it has more than 1/2" flex.

- a. Loosen Nut #1
- b. Adjust Nut #2. Turn Nut #2 clockwise in 1/2 turn increments, then turn nut #1 until tight.
Follow this procedure until chain is at proper tension (See Fig. 10).
- c. Repeat the above two steps until chain is adjusted to desired fit.

I. Adjustment of Front And Rear Shock

There are five adjustable positions on each shock. The default position is in the middle set by manufacturer (See Fig. 11)

Use a round nut wrench as you adjust the shock, the tension of shock spring will increase as you screw to left, decrease as you screw to right. Adjust according to the weight of the riders.

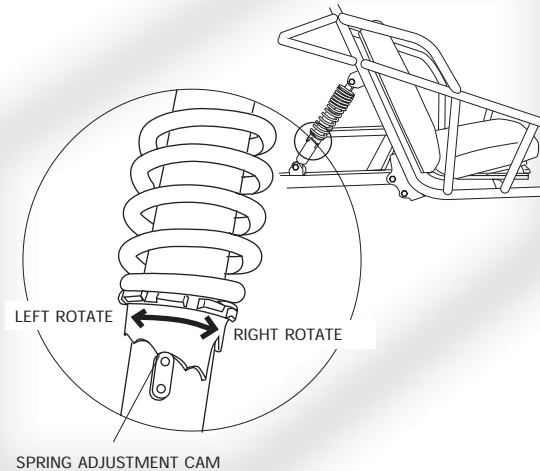


Figure 11

J. Storage Instruction

In the event your kart is not to be operated for a period in excess of 30 days or at the end of each driving season prepare for storage as follows:

- a. Drain fuel tank and carburetor by allowing engine to run out of fuel, and use a fuel stabilizer.
- b. Lubricate engine cylinder by removing the air cleaner, then spray engine fogging oil through the carburetor until motor dies.
- c. Do not save or store gasoline over winter. Using old gasoline, which has deteriorated from storage, will cause hard starting and affect engine performance.



WARNING

Do not drain fuel while engine is hot. Be sure to move Kart outside before draining fuel.

A. Front Wheel Replacement

Do not disassemble the castle nuts when you replace the front wheels.

It is only necessary to remove the 4 lug nuts to remove the wheel. (See Fig. 12)

Tighten the nuts after replacing the wheels.

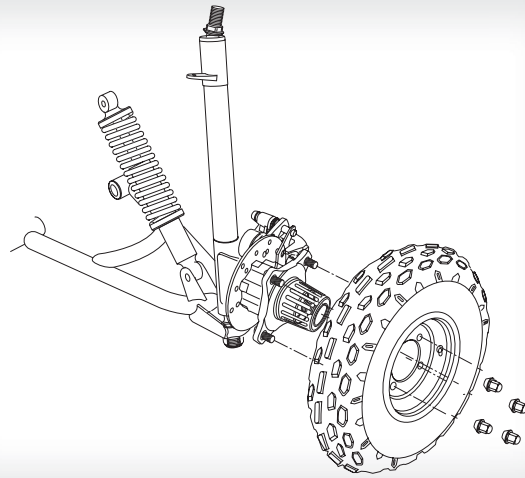


Figure 12

B. Rear Wheel Replacement

Do not disassemble the castle nuts when you replace the rear wheels and hub assembly.

Remove the cotter pin and then 24mm nut. Then slide off wheel and hub assembly.

It is only necessary to remove the 4 lug nuts to remove the wheel by itself. (See Fig.13)

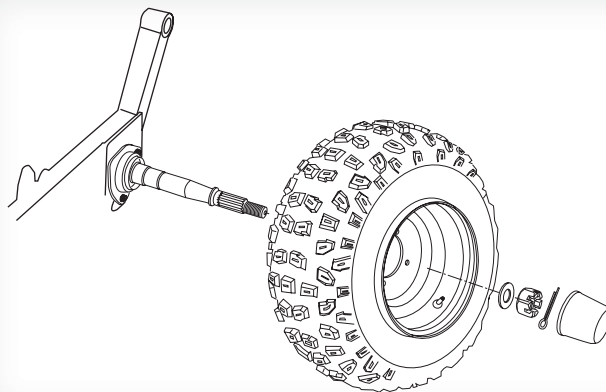


Figure 13

C. Front Wheel Alignment

a. The front wheels should be “toe-in” from 1/8” to 1/4”. To check for alignment, measure distance A and B between the centerline (CL) of the wheels. The proper toe-in dimension A should be 1/8” – 1/4” greater than dimension B.

b. To adjust the alignments, loosen the lock nuts on both sides of Front Tie Rods. To make Dimension B smaller, turn the rod to left. Adjust the rod to right direction to make Dimension B larger. After adjusting to the desired length, tighten the lock nut against the rod end. Recheck the dimensions for proper alignment.

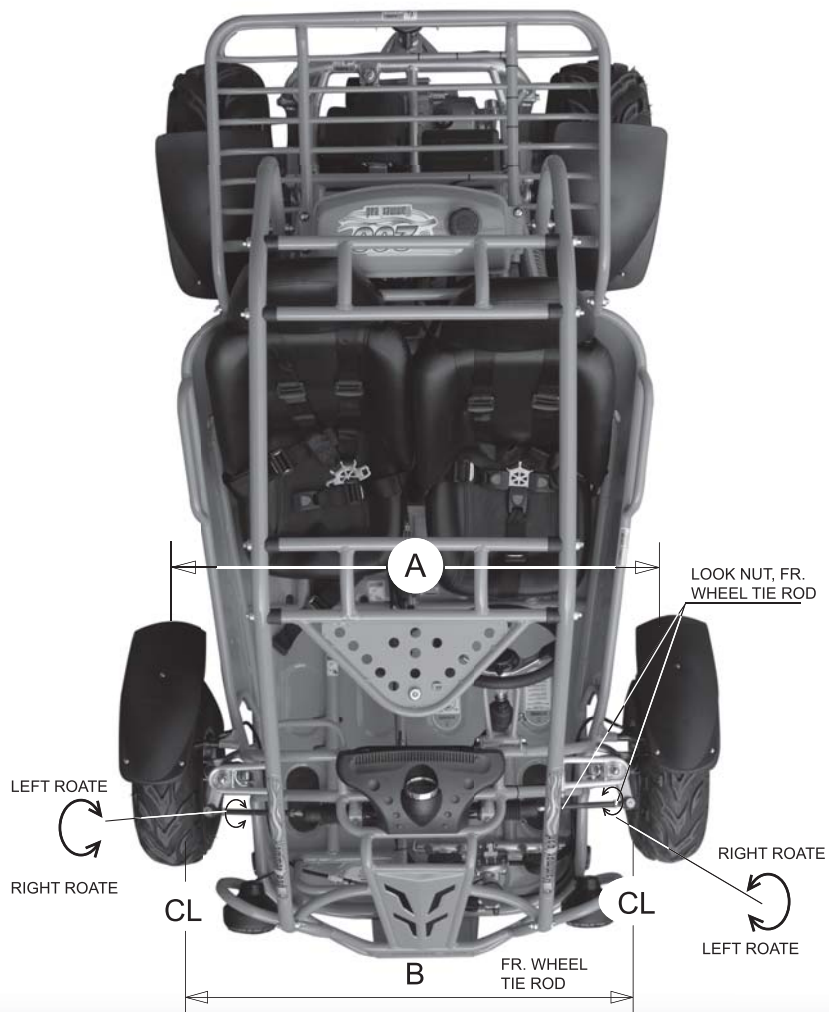


Figure 14

PERIODICAL CHECK AND SERVICES

The maintenance intervals in the following table are based upon average driving conditions. Driving in unusually dusty areas, require more frequent servicing.

Items \ Time of service	Initial service (first week)	Monthly	Quarterly	Yearly
Tire pressure/wear	I	I		
Brake performance	I	I		
Tightness of screws	I	I	C	
Air cleaner		C		I
Carburetor	I			C
Spark plug			C, A	
Coolant				
Brake oil	I	I	I	
Replace gearbox oil		C, I	R	
Chassis		C, I	L	
Fuel switch/fuel tank		I		C
Battery			I	
Valve clearance of engine			A	

A: adjust C: clean I: inspect, clean or replace if necessary. L: lubricate R: replace

WIRING DIAGRAM

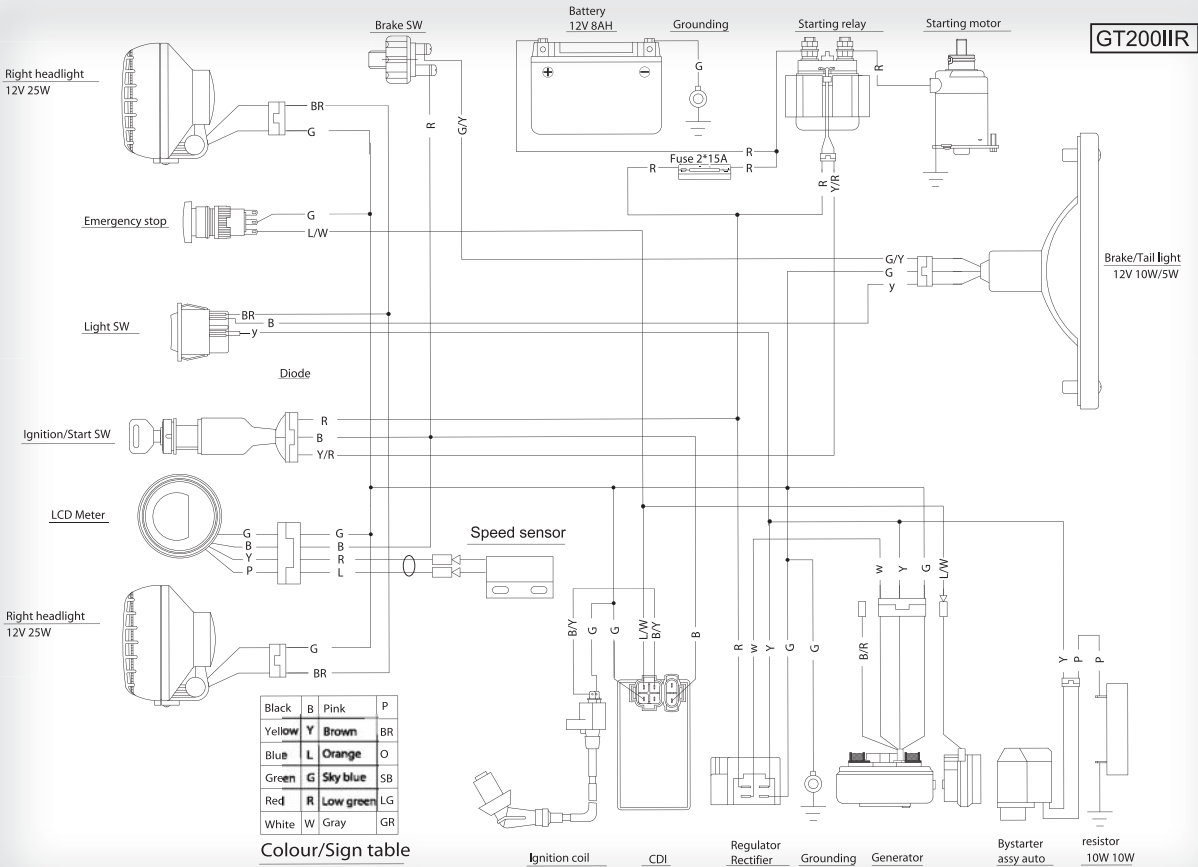
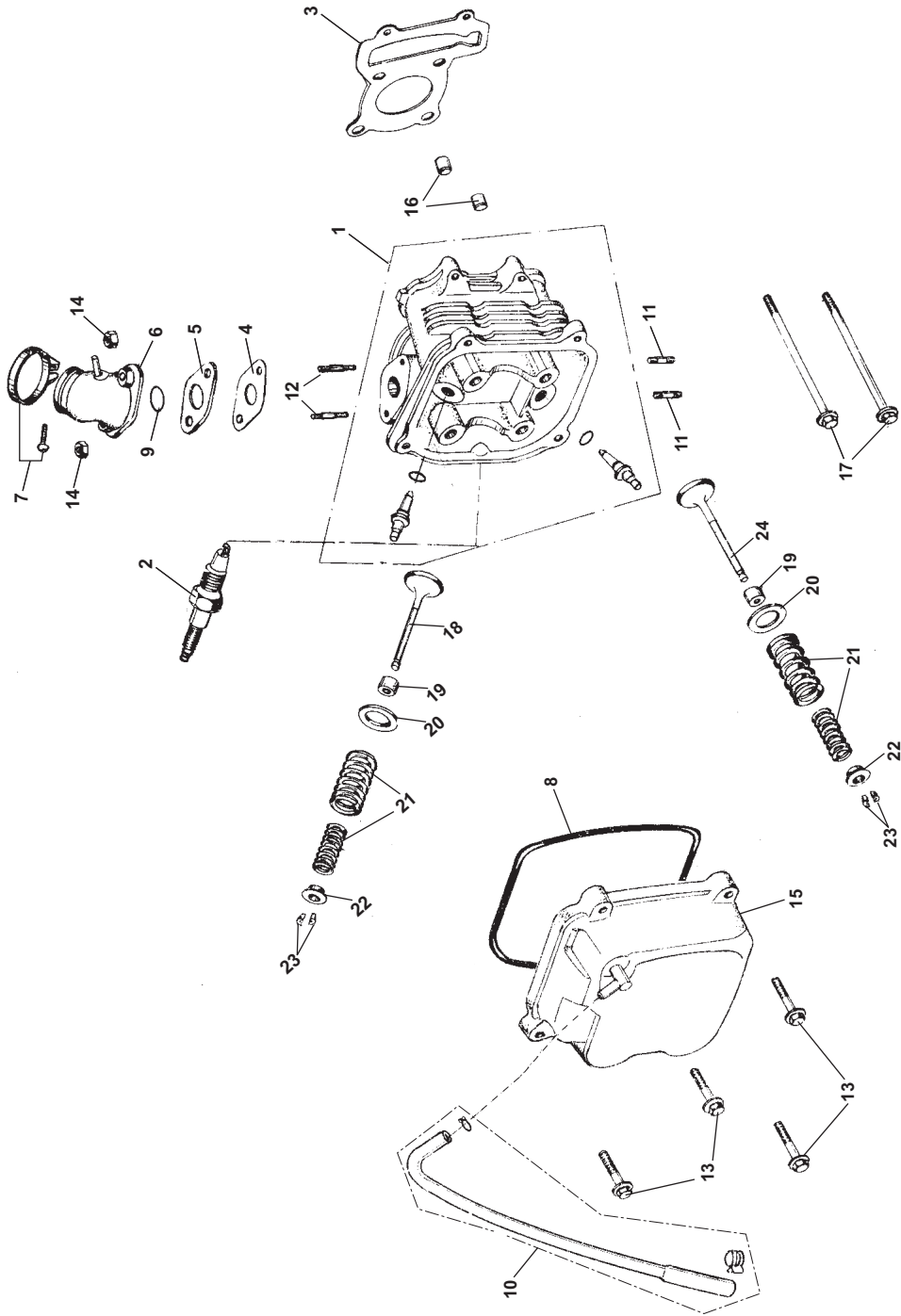
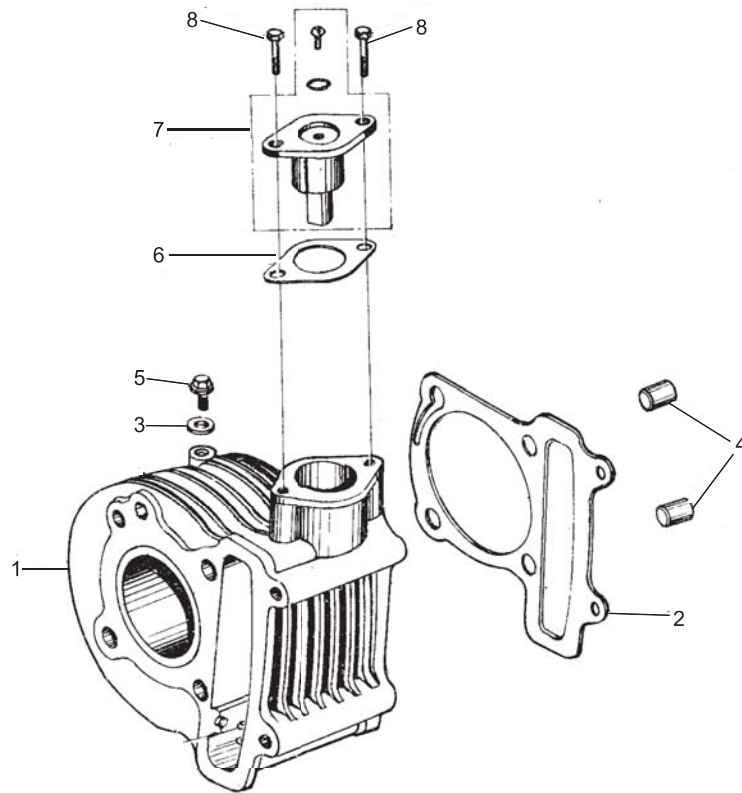


FIG.1

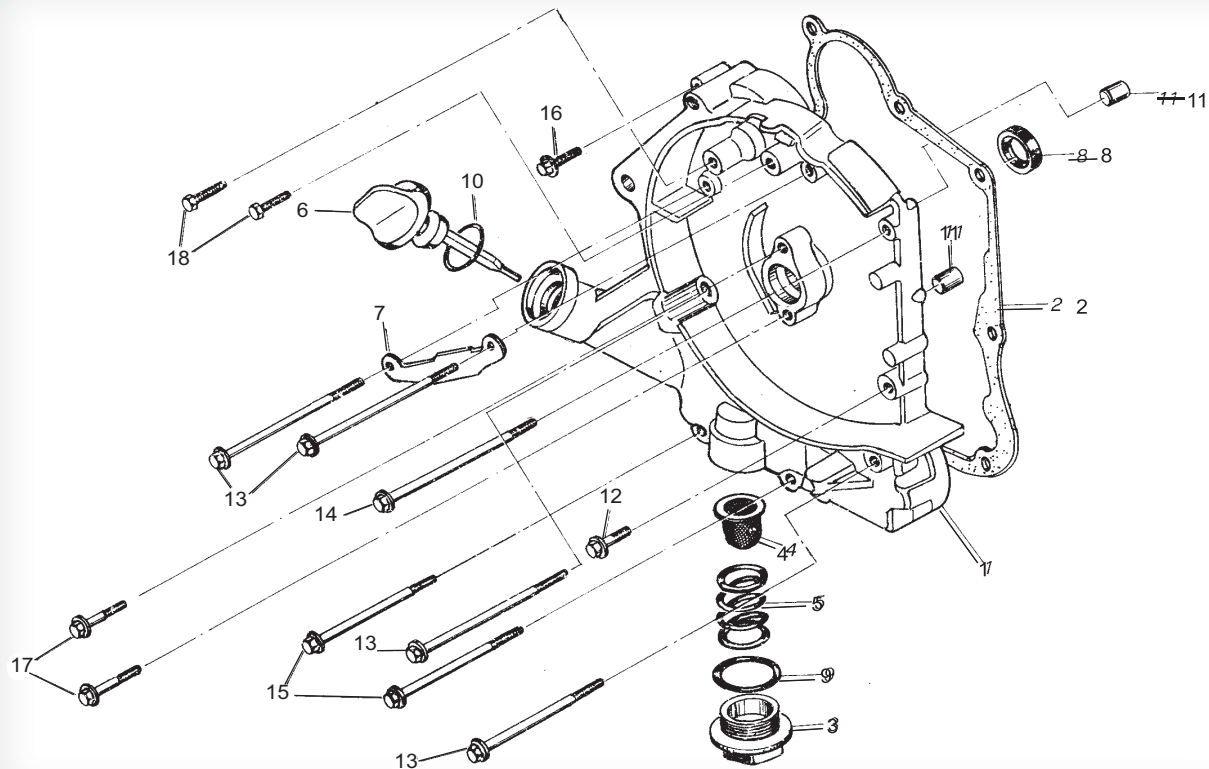
CYLINDER HEAD ASSY.



CYLINDER ASSY.

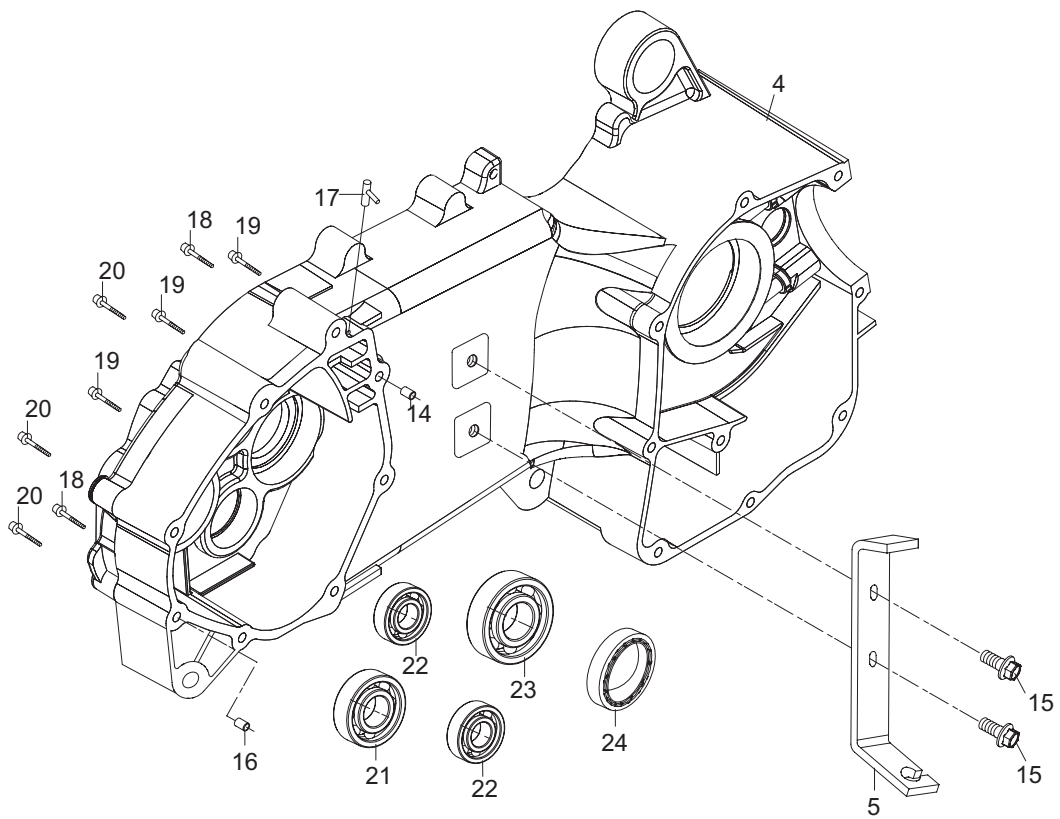
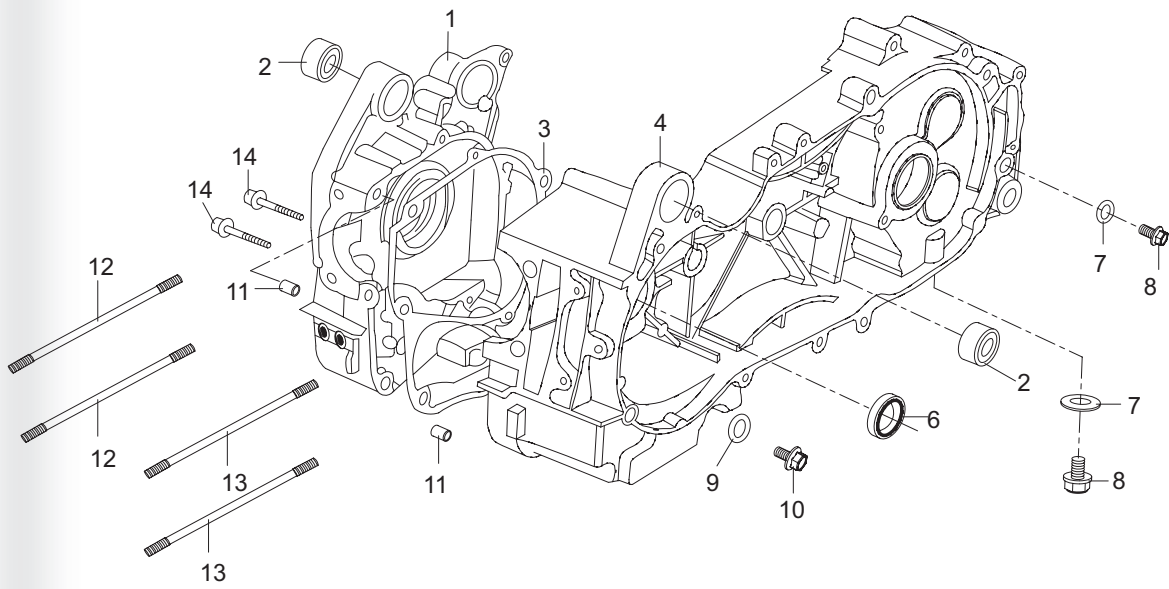


CYLINDER ASSY.				
REF NO.	PART NO.	DESCRIPTION	REGD NO.	
1	M150-1002200	CYLINDER COMP.	1	
2	M150-1002001	CYLINDER GASKET	1	
3	90442-06000-KAT	WASHER SEALING 6	1	
4	M150-1001007	DOWEL PIN 10X16	2	
5	96001-06012-KAT	FLANGE BOLT M6X12-ZN. D	1	
6	M150-1002002	GASKET TENSIONER LIFTER	1	
7	M150-1002100	TENSIONER LIFTER ASSY.	1	
8	96001-06020-KAT	FLANGE BOLT 6X20	2	

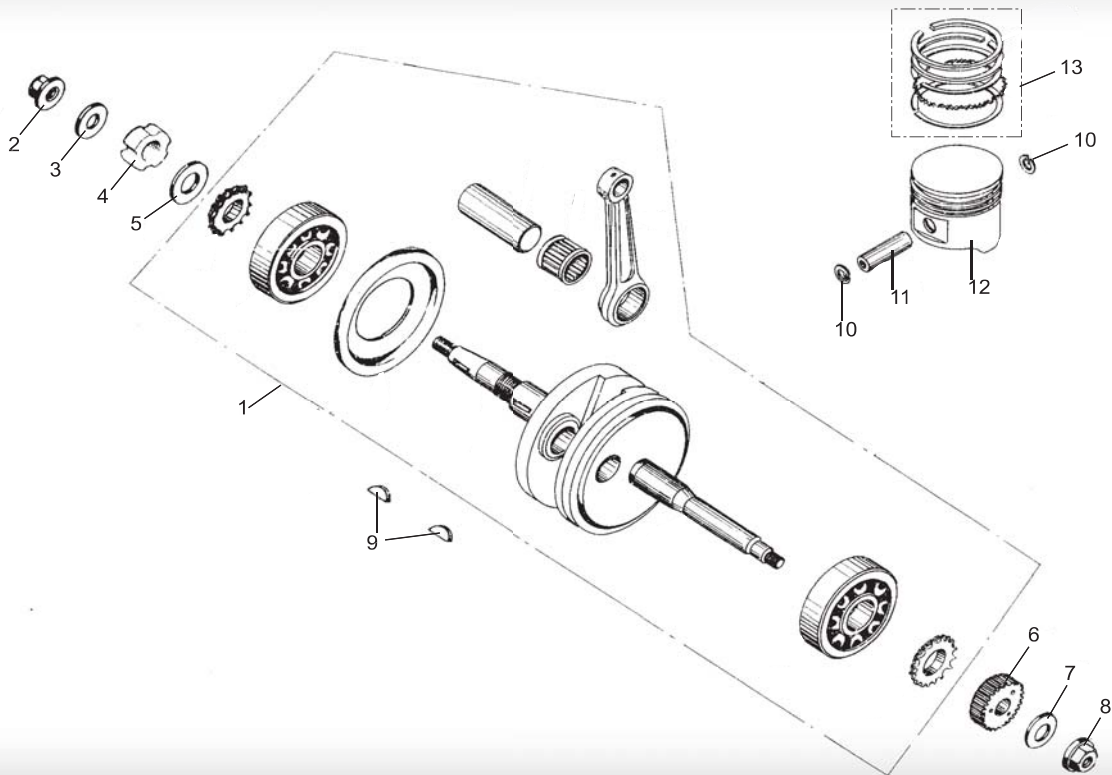
CRANKCASE ASSY. (1)**CRANKCASE ASSY.(1)**

REF NO.	PART NO.	DESCRIPTION	REGD NO.
1	M150-1003101-B	R CRANKCASE COVER COMP.	1
2	M150-1003013	CRANKCASE COVER GASKET	1
3	M150-1003104	CAP TAPPET ADJUSTING HOLE	1
4	M150-1003120	OIL FILTING SCREEN	1
5	M150-1003102	OIL FILTING SCREEN SPRING	1
6	M150-1003105	OIL LEVEL GAUGE	1
7	M150-1003006	AC GENERATOR CORD CLAMPER	1
8	M150-1003110	OIL SEAL 19.8X30X5	1
9	M150-1003103	O-RING 30.8X3	1
10	M150-1003307	O-RING 18X3	1
11	M150-1003005	DOWEL PIN 8X14	2
12	96001-06032-KAT	FLANGE BOLT M6X28	1
13	M150-1003012	FLANGE BOLT M6X95	4
14	M150-1003007	FLANGE BOLT M6X100	1
15	M150-1003008	FLANGE BOLT M6X110	2
16	M150-1003034	FLANGE BOLT M6X35	1
17	M150-1003106	FLANGE BOLT M6X20	2
18	92101-05012-OH	HEX BOLT M5X12-ZN.D	2

CRANKCASE ASSY.

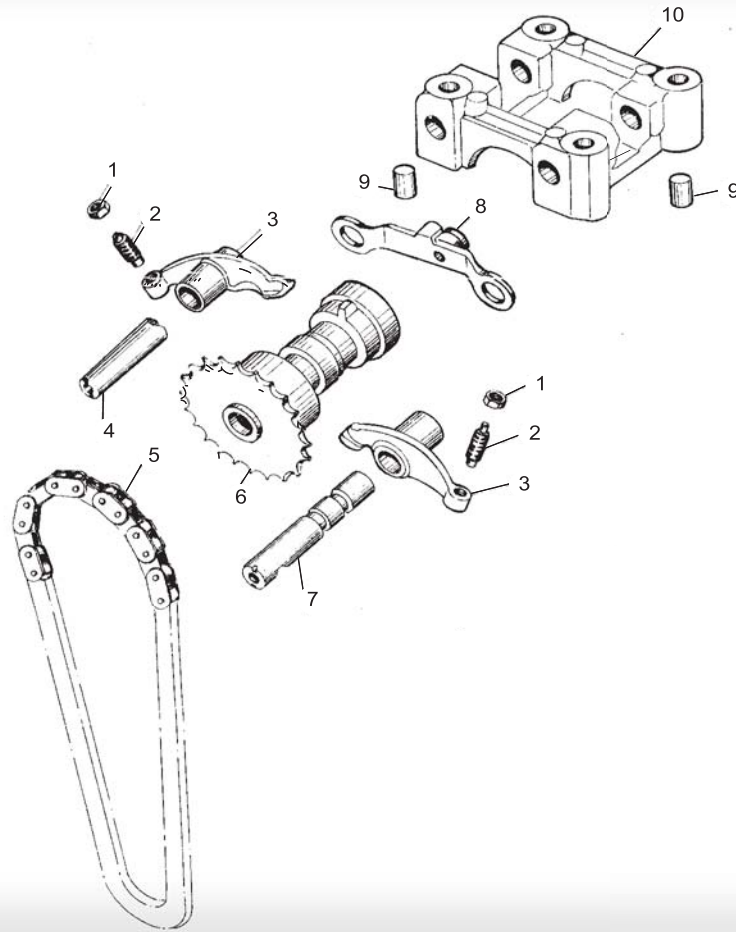


CRANKSHAFT CON'ROD & PISTON ASSY.



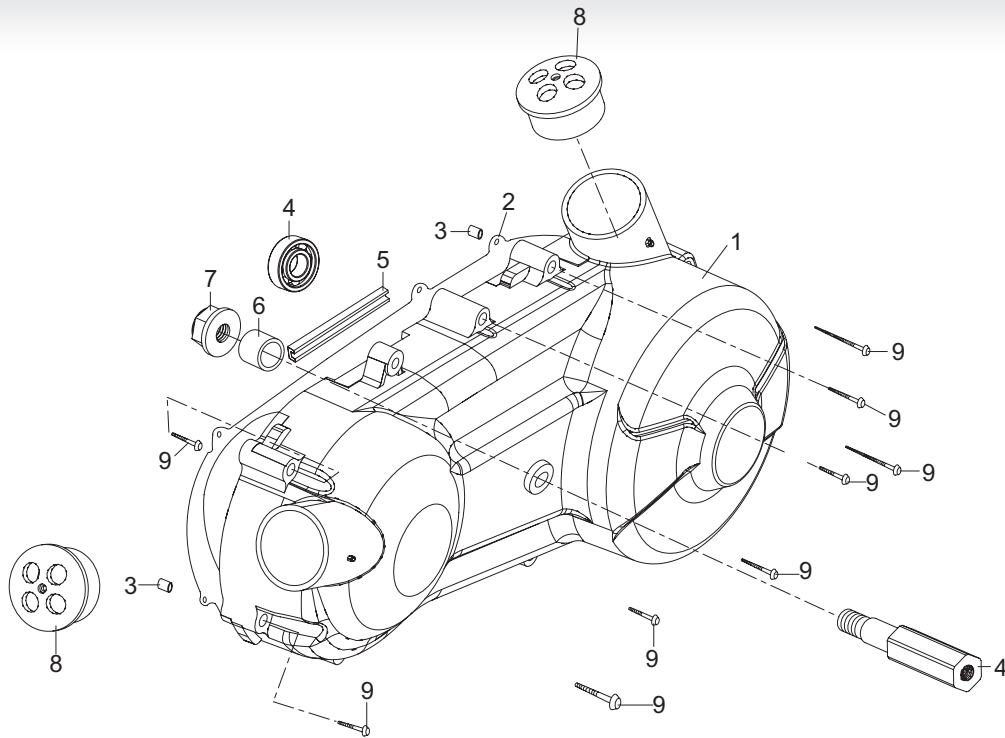
CRANKSHAFT CON'ROD & PISTON ASSY.				
REF NO.	PART NO.	DESCRIPTION	REGD NO.	
1	M200-0501	CRANKSHAFT & CONROD ASSY.	1	
2	M150-1004007	NUT M12X1.25	1	
3	M150-1004011	WASHER 12-149HV 12-140HV	1	
4	M150-1004009	LOCKING NUT	1	
5	M150-1004013	WASHER	1	
6	M200-0506	KICK DRIVE GEAR	1	
7	M150-1040005	WASHER $\Phi 12$	1	
8	M150-1004008	NUT M12	1	
9	M150-1004002	WOODRUFF KEY	2	
10	M150-1004003	PISTON PIN CLIP	2	
11	M150-1004006	PISTON PIN	1	
12	M150-1004001	PISTON	1	
13	M150-1004200	PISTON RING SET	1	

CAMSHAFT ASSY.

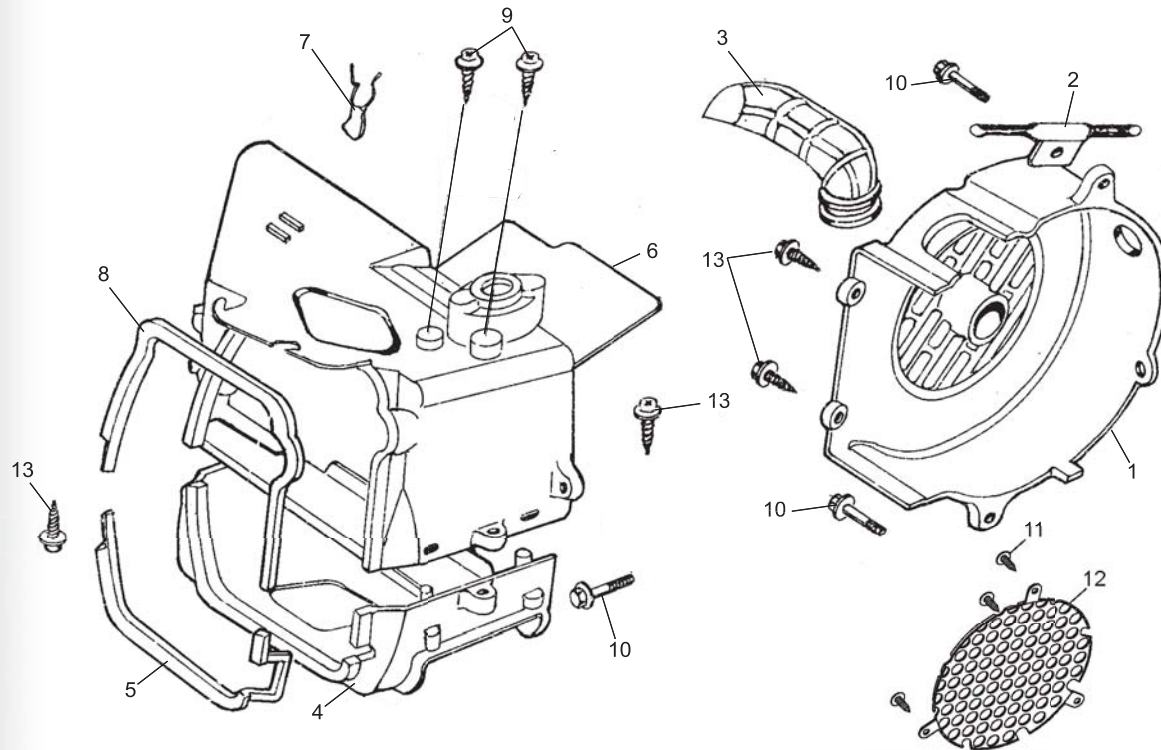


CAMSHAFT ASSY.				
REF NO.	PART NO.	DESCRIPTION	REGD NO.	
1	M150-1005004	TAPPET ADJUSTING NUT	2	
2	M150-1005003	TAPPET ADJUSTING SCREW	2	
3	M200-0603	VALVE ROCKER ARM	2	
4	M200-0604	EX ROCKER ARM SHAFT	1	
5	M200-0605	CAMSHAFT CHAIN	1	
6	M200-0606	CAMSHAFT COMP. 16T	1	
7	M200-0607	IN ROCK ARM SHAFT COMP.	1	
8	M200-0608	STOPPER PLATE COMP.	1	
9	M150-1001007	DOWEL PIN 10X16	2	
10	M200-0610	CAMSHAFT HOLDER	1	

LEFT CRANKCASE COVER ASSY.

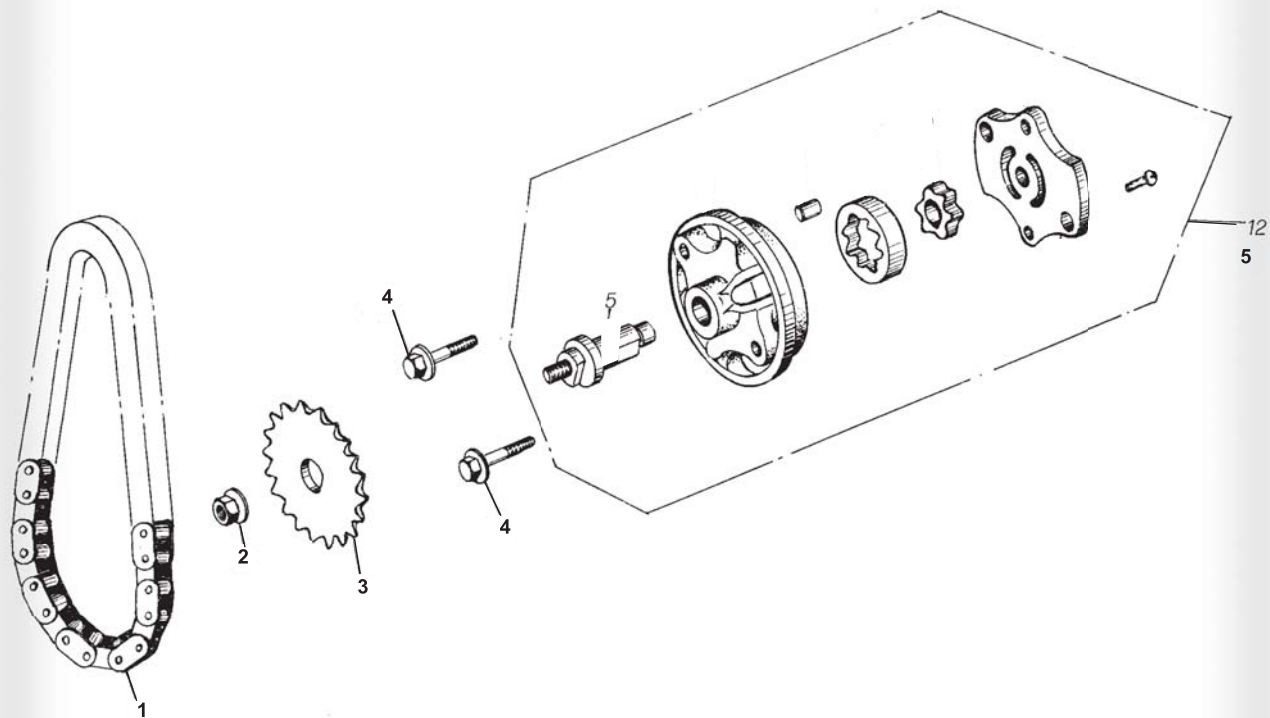


LEFT CRANKCASE COVER ASSY.				
REF NO.	PART NO.	DESCRIPTION	REGD NO.	
1	M200-0701	LEFT CRANKCASE COVER	1	
2	M200-0702	LEFT COVER GASKET	1	
3	M200-0703	DOWEL PIN 8×12	2	
4	M200-0704	HEX COLUMN	1	
5	M200-0705	STARTING MOTOR SEAL PIECE	1	
6	M200-0706	BUSHING	1	
7	M200-0707	BOLT M12×1.25	1	
8	M200-0708	VENT COVER	2	
9	M200-0709	BOLT M6×40	8	

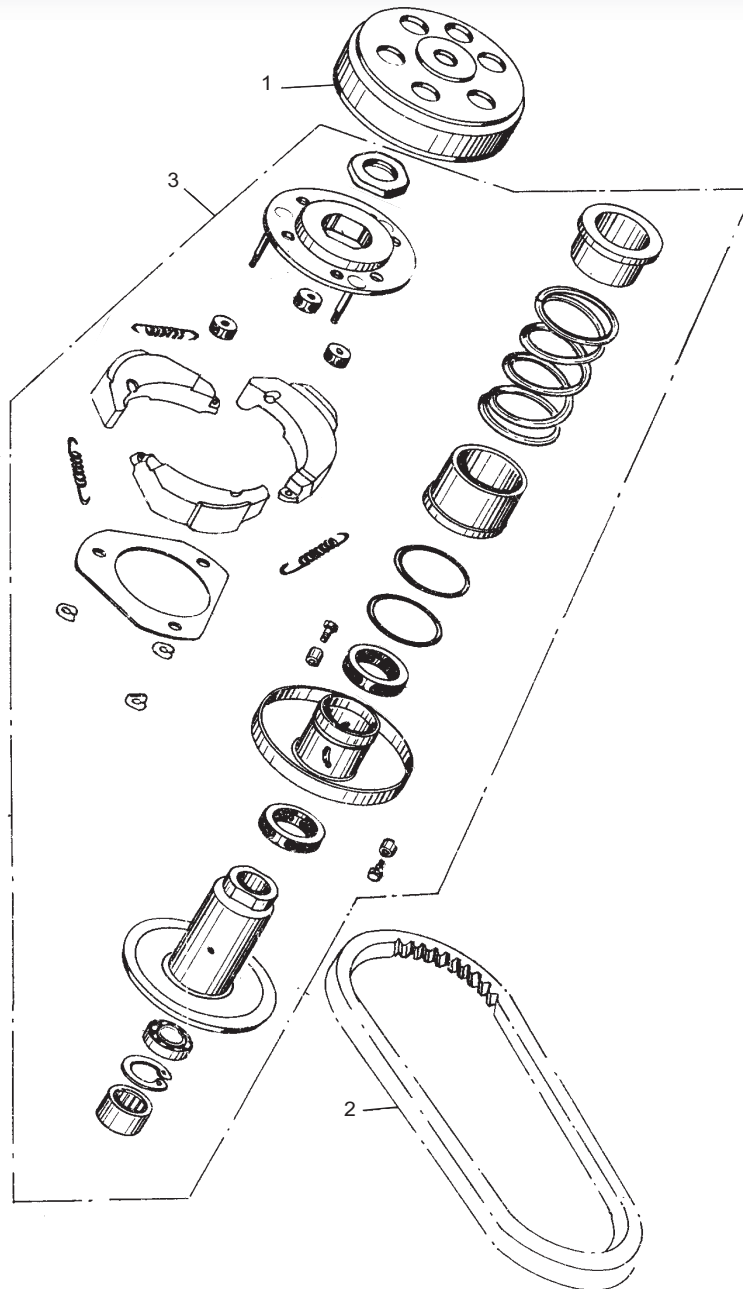
FAN COVER AND SHROUD ASSY.**FAN COVER AND SHROUD ASSY.**

REF NO.	PART NO.	DESCRIPTION	REGD NO.	
1	M200-0801	FAN COVER COMP.	1	
2	M150-1009002	STARTER CABLE CLAMPER	1	
3	M200-0803	FAN SHROUD COOLING DUCT	1	
4	M200-0804	LOWER SHROUD	1	
5	M200-0805	LOWER SHROUD SEAL	1	
6	M200-0806	UPPER SHROUD COMP.	1	
7	M150-1009103	HIGH TENSION CORD CLIP	1	
8	M200-0808	UPPER SHROUD SEAL	1	
9	M150-1009402	SCREW ST4.8X16-F	2	
10	M150-1003075	BOLT M6X25	3	
11	ST3.5X13 GB845	SCREW ST3.5×13-F	3	
12	M200-0812	DUST COVER	1	
13	M200-0813	BOLT M6X14	4	

OIL PUMP ASSY.

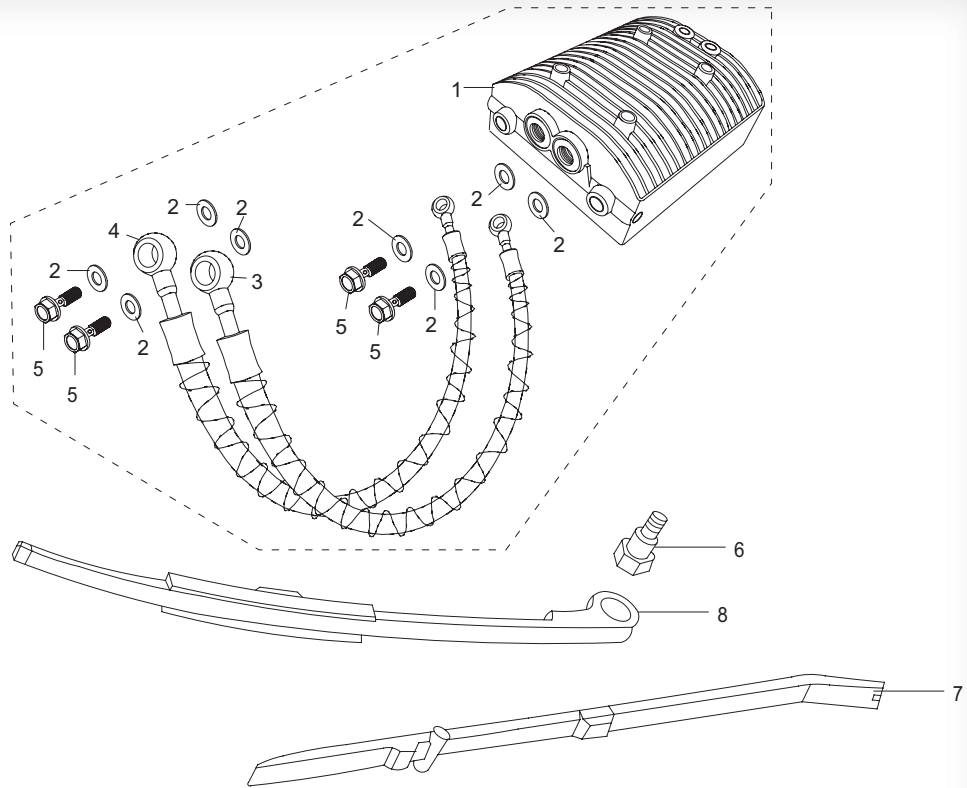


OIL PUMP ASSY.				
REF NO.	PART NO.	DESCRIPTION	REGD NO.	
1	M150-1021000	CHAIN OIL PUMP	1	
2	M150-1020002	FLANGE NUT M6	1	
3	M150-1020001	SPROCKET OIL PUMP DRIVEN	1	
4	M200-0904	BOLT M6X30	2	
5	M200-0905	OIL PUMP SUBASSY.	1	

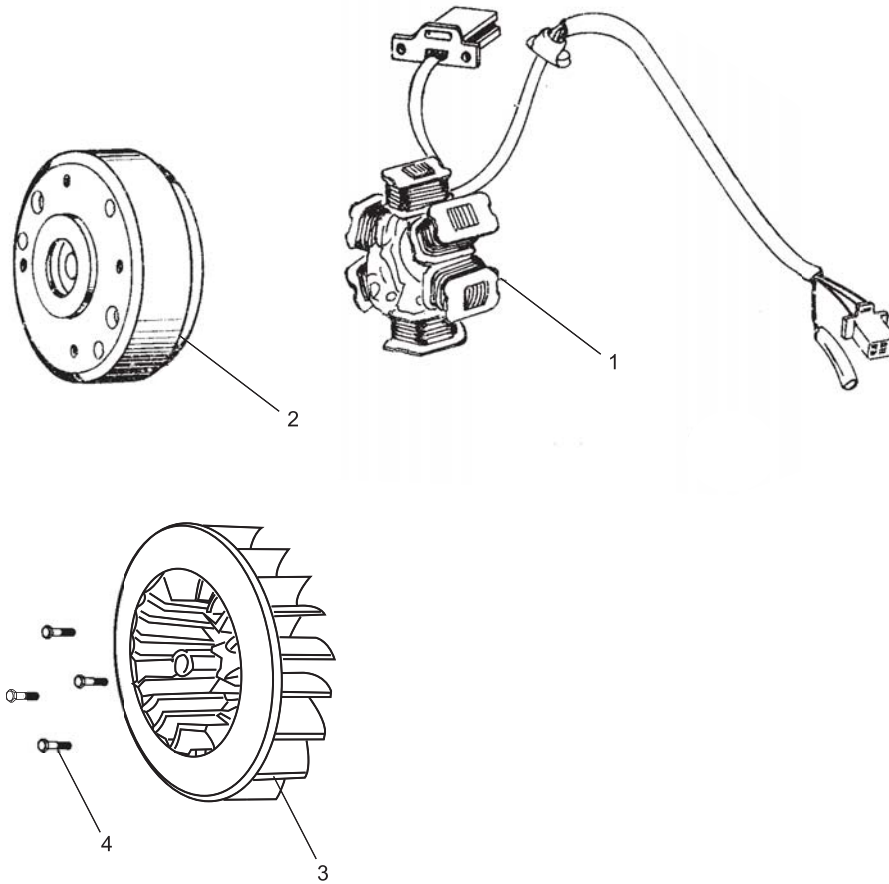
DRIVE PULLEY AND CLUTCH SUBASSY.**DRIVE PULLEY AND CLUTCH SUBASSY.**

REF NO.	PART NO.	DESCRIPTION	REGD NO.	
1	M150-1032000	CLUTCH ASSY. OUTER	1	
2	M150-1033000	DRIVE BELT	1	
3	M150-1031000	DRIVE PULLEY ASSY.	1	

OIL COOLER ASSY.&TIMING CHAIN COMP.



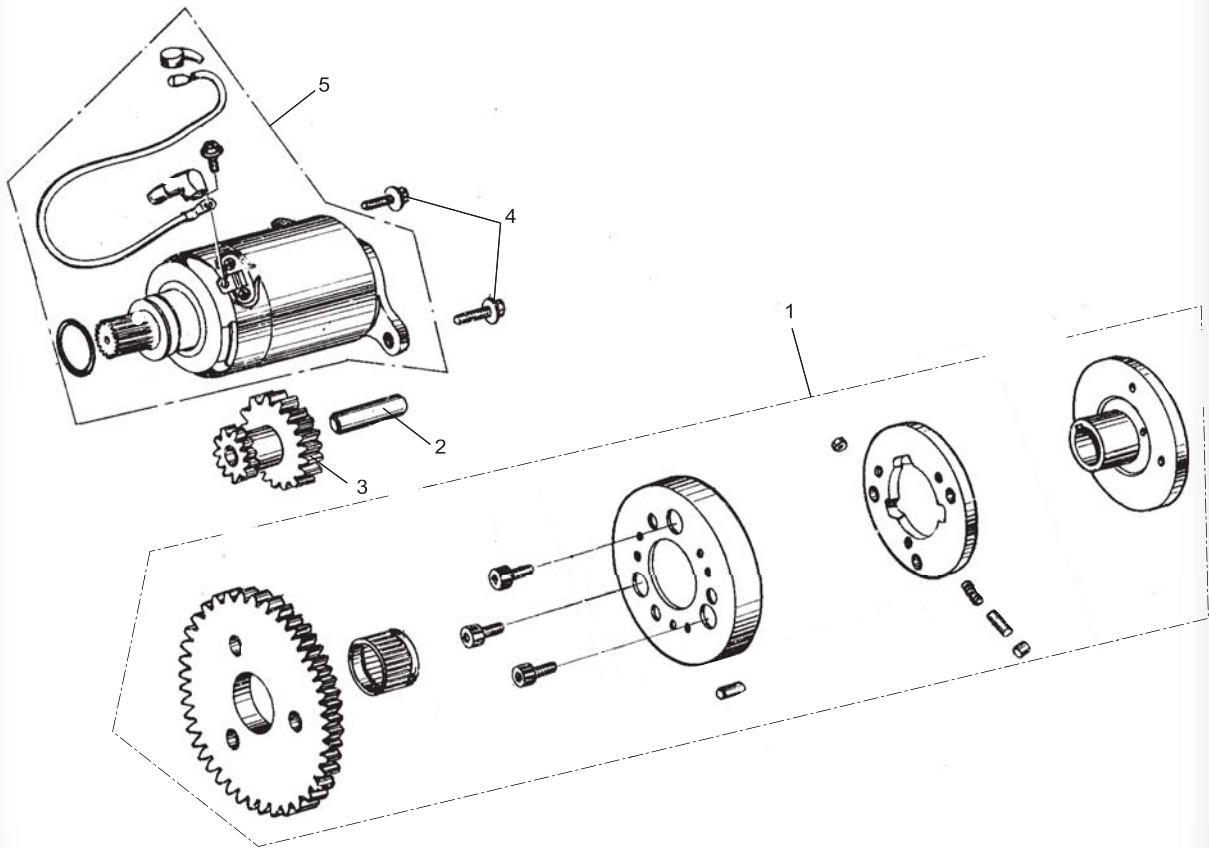
OIL COOLER ASSY.&TIMING CHAIN COMP.				
REF NO.	PART NO.	DESCRIPTION	REGD NO.	
1	M200-1101	OIL COOLER	1	
2	M200-1102	ALUMINUM WASHER	8	
3	M200-1103	OIL TUBE (1)	1	
4	M200-1104	OIL TUBE (2)	1	
5	M200-1105	HOLLOW BOLT	4	
6	M200-1106	CHAIN GUIDE PLATE	1	
7	M200-1107	CHAIN TENSIONER	1	
8	M200-1108	TENSIONER FIX BOLT	1	

ELECTRIC SYSTEM**ELECTRIC SYSTEM**

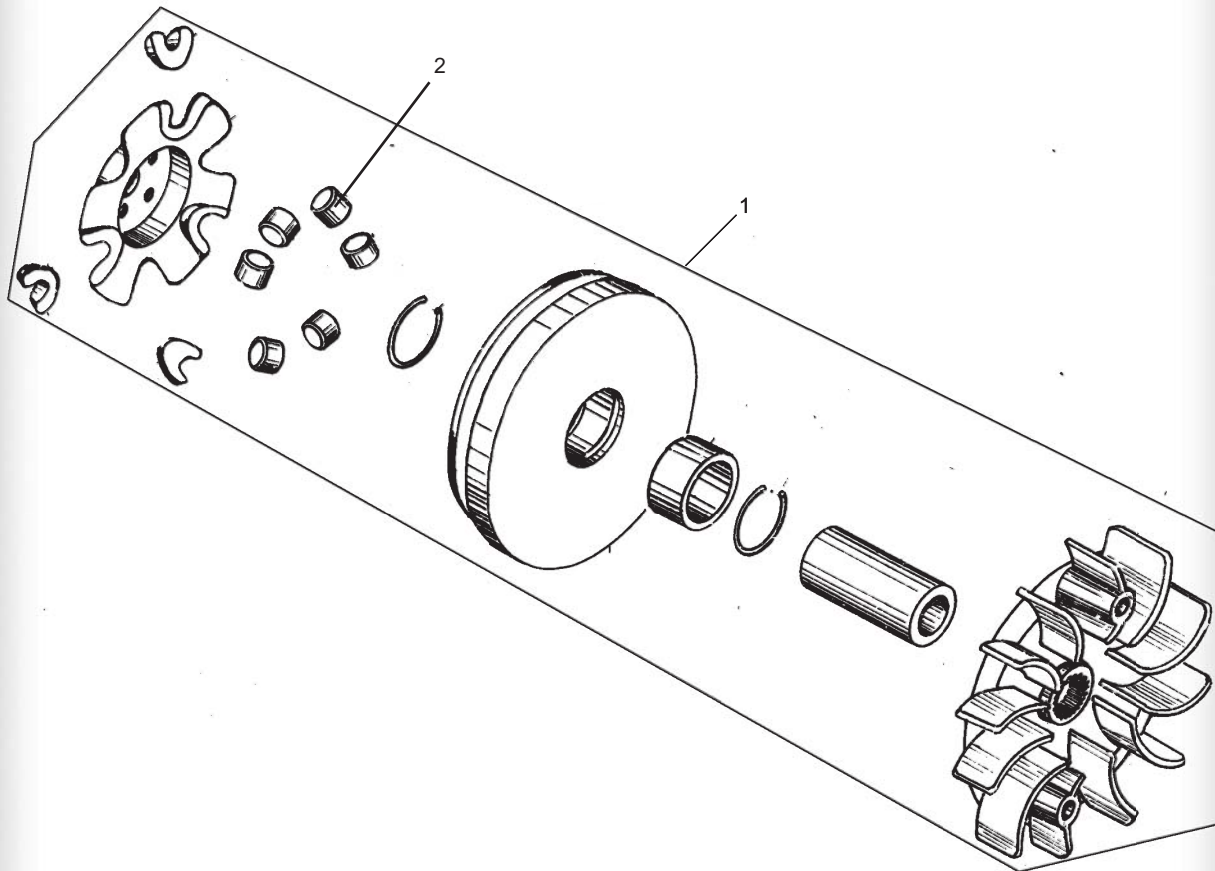
REF NO.	PART NO.	DESCRIPTION	REGD NO.	
1	M150-1051200-8	STATOR COMP.	1	
2	M150-1051100	FLYWHEEL COMP.	1	
3	M150-1051100-3	COOLING FAN COMP.	1	
4	M150-1051100-4	FLANGE BOLT M6x18	4	

FIG.13

ELECTRIC STARTER ASSY.



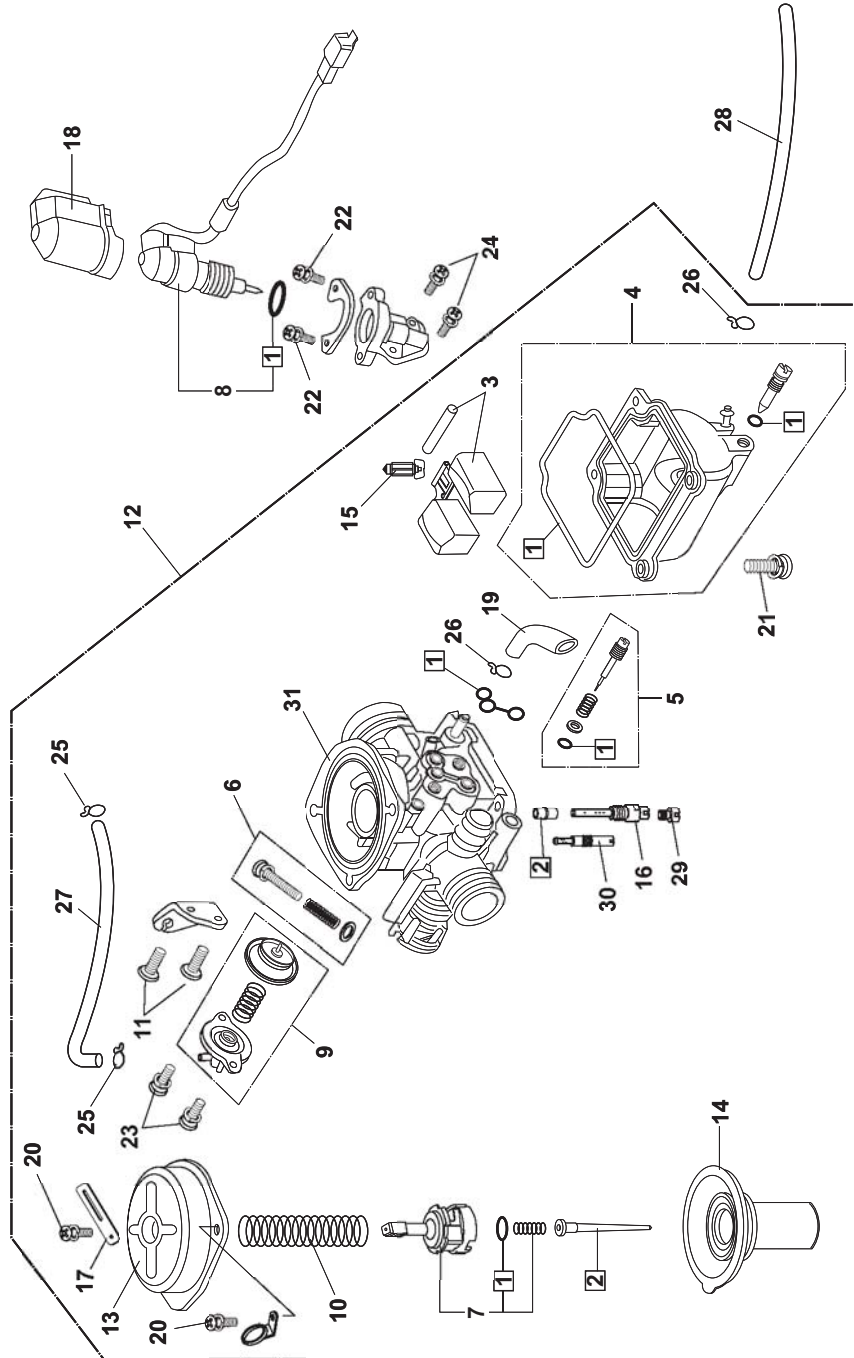
ELECTRIC STARTER ASSY.				
REF NO.	PART NO.	DESCRIPTION	REGD NO.	
1	M150-1060001	FLANGE STARTING CLUTCH	1	
2	M150-1060002	STARTER REDUCTION GEAR SHAFT	1	
3	M150-1060003	STARTER REDUCTION GEAR	1	
4	M150-1060004	FLANGE BOLT M6X16	2	
5	M200-1305	STARTER MOTOR ASSY.	1	

DRIVE PULLEY SUBASSY.**DRIVE PULLEY SUBASSY.**

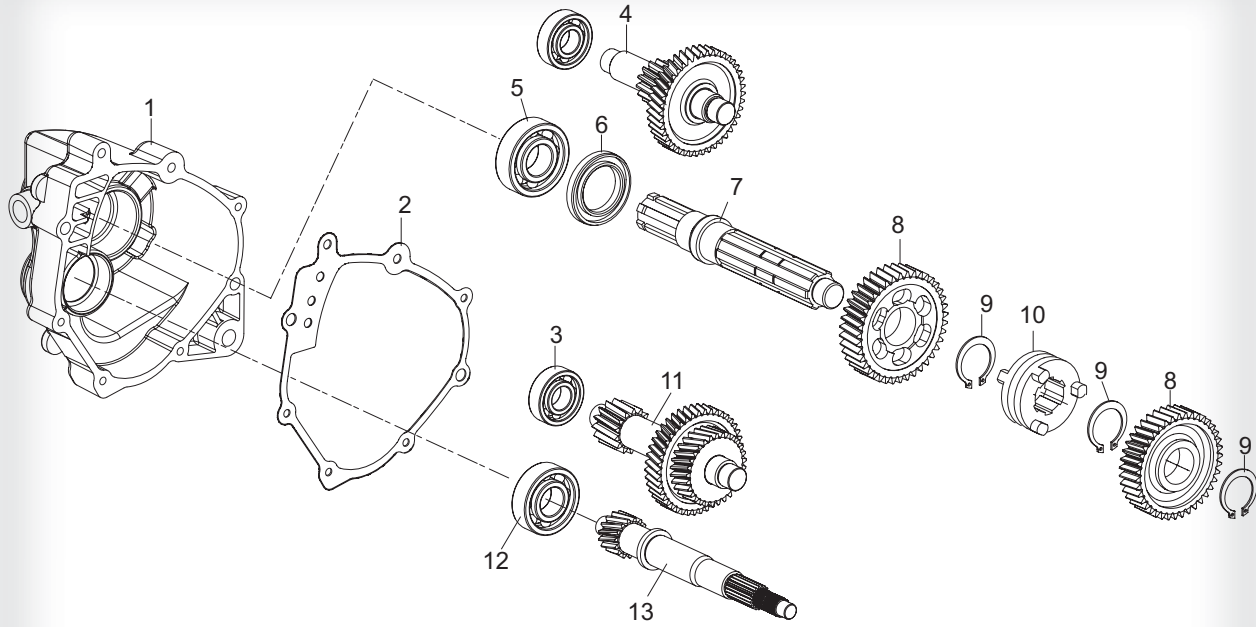
REF NO.	PART NO.	DESCRIPTION	REGD NO.	
1	M150-1071000	MOVABLE DRIVE PULLEY ASSY.	1	
2	M150-1071002	CLUTCH WEIGHTS	6	

FIG.15

CARBURETOR



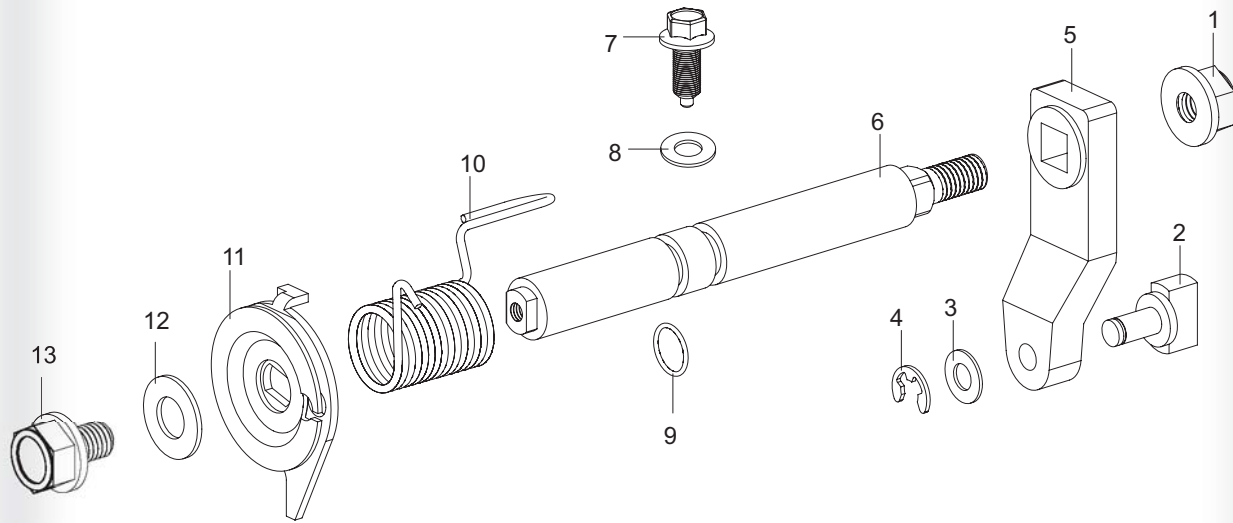
REVERSE GEARBOX ASSY.



TRANSMISSION ASSY.

REF NO.	PART NO.	DESCRIPTION	REGD NO.	
1	M200-1601	GEARBOX COVER	1	
2	M200-1602	GEARBOX COVER GASKET	1	
3	M200-1603	BEARING 6202	2	
4	M200-1604	THIRD SHAFT	1	
5	M200-1605	BEARING 6005	1	
6	M200-1606	OIL SEAL 30×47×7	1	
7	M200-1607	OUTPUT SHAFT	1	
8	M200-1608	FINAL GEAR	2	
9	M200-1609	SHAFT CIRCLIP 25	3	
10	M200-1610	SHIFT DISC	1	
11	M200-1611	SECOND SHAFT	1	
12	M200-1612	BEARING 6301	1	
13	M200-1613	DRIVE SHAFT	1	

SHIFT YOKE SHAFT COMP.



SHIFT YOKE SHAFT COMP.				
REF NO.	PART NO.	DESCRIPTION	REGD NO.	
1	M200-1701	LOCKING FLANGE NUT	1	
2	M200-1702	SHIFT YOKE HEAD	1	
3	M200-1703	WASHER	1	
4	M200-1704	CIRCLIP	1	
5	M200-1705	SHIFT YOKE	1	
6	M200-1706	SHIFT YOKE SHAFT	1	
7	M200-1707	SHAFT FIX BOLT	1	
8	M200-1708	FLAT WASHER 6	1	
9	M200-1709	O-RING (φ14×φ11×φ1.5)	1	
10	M200-1710	SHAFT SPRING	1	
11	M200-1711	REVERSE CABLE COIL PLATE	1	
12	M200-1712	SHAFT WASHER (10.6×19.2×1)	1	
13	M200-1713	FLANGE BOLT M5×12	1	

FIG.18

FRAME GROUP

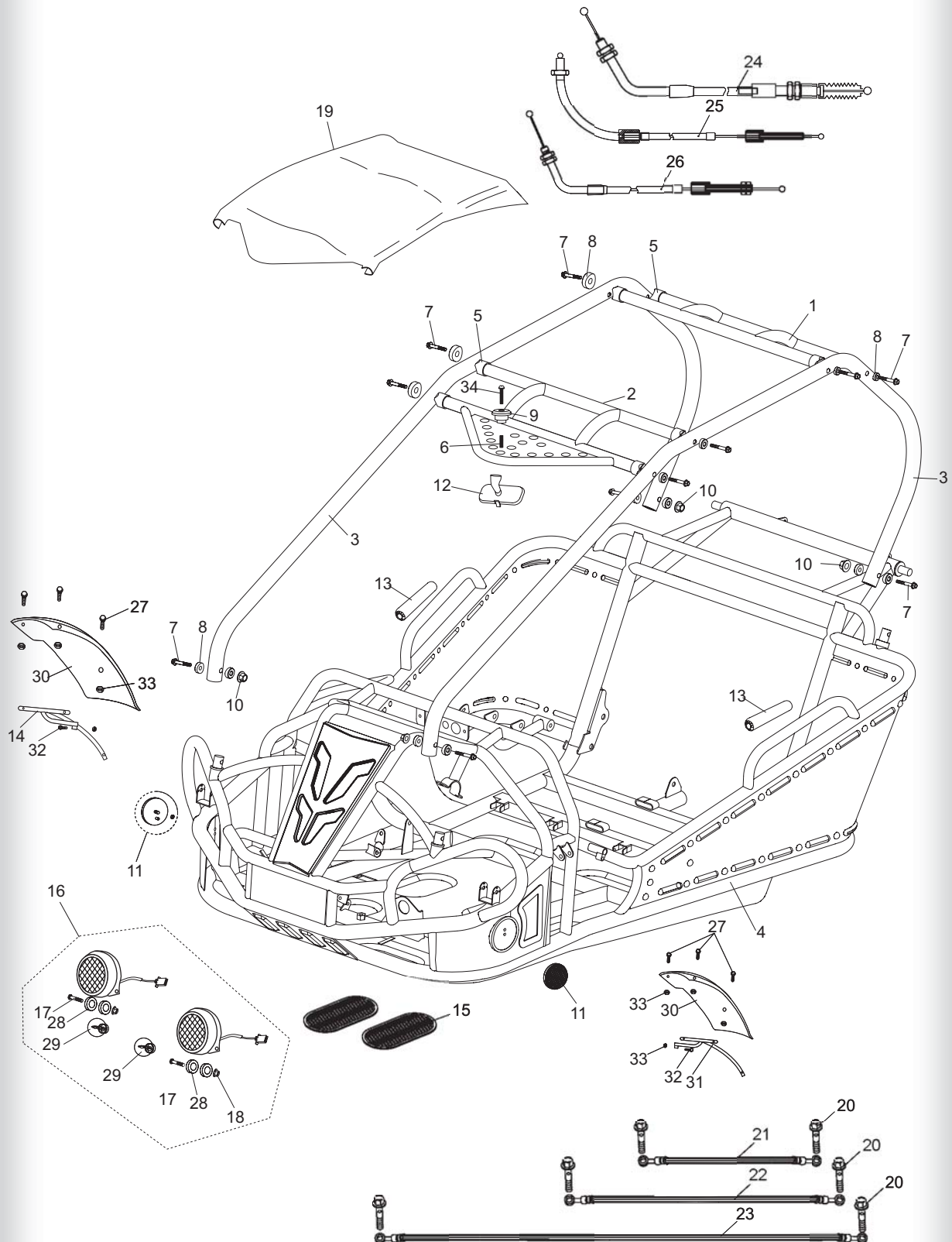
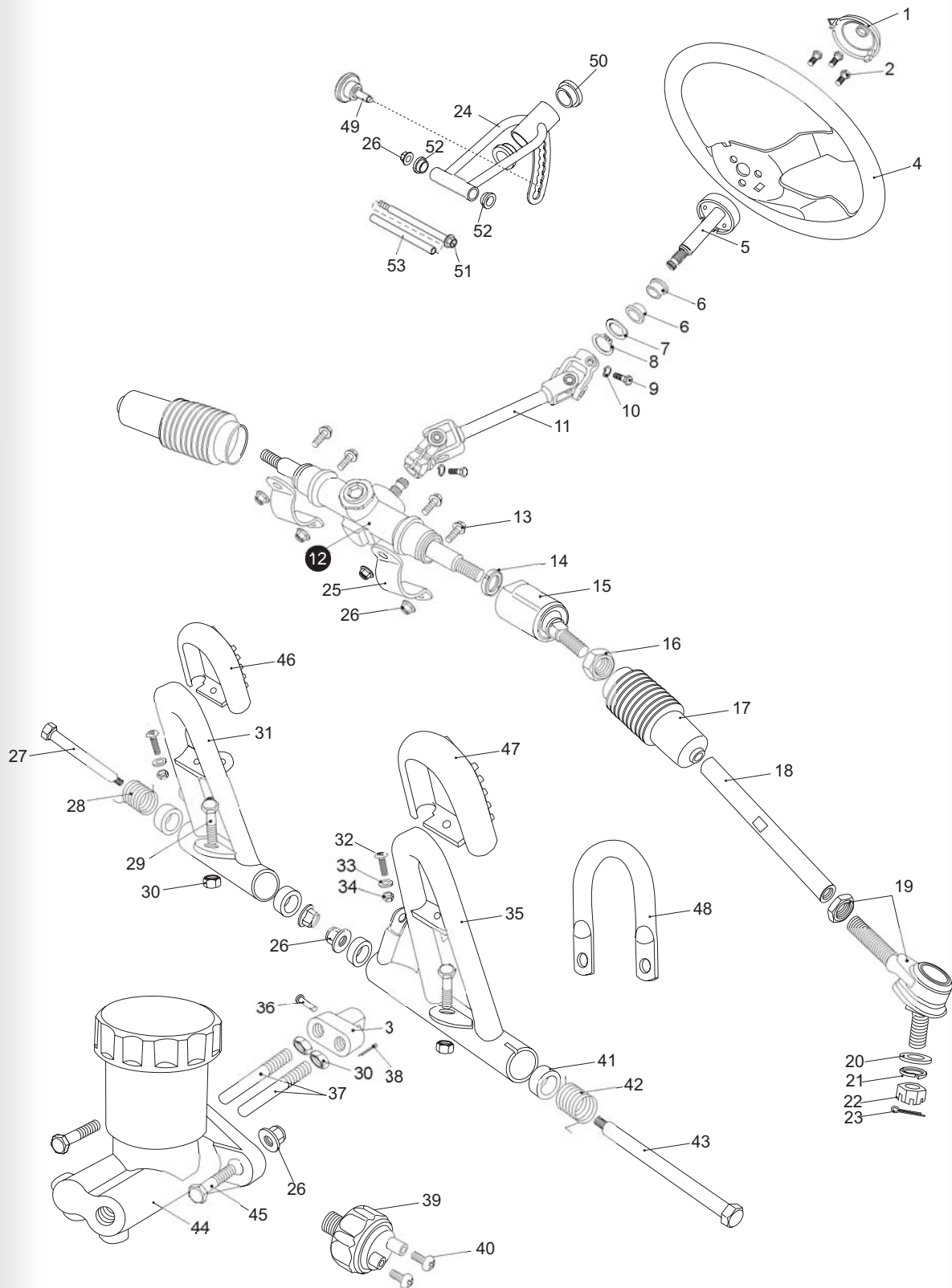


FIG.19

STEERING SHAFT ASSY.

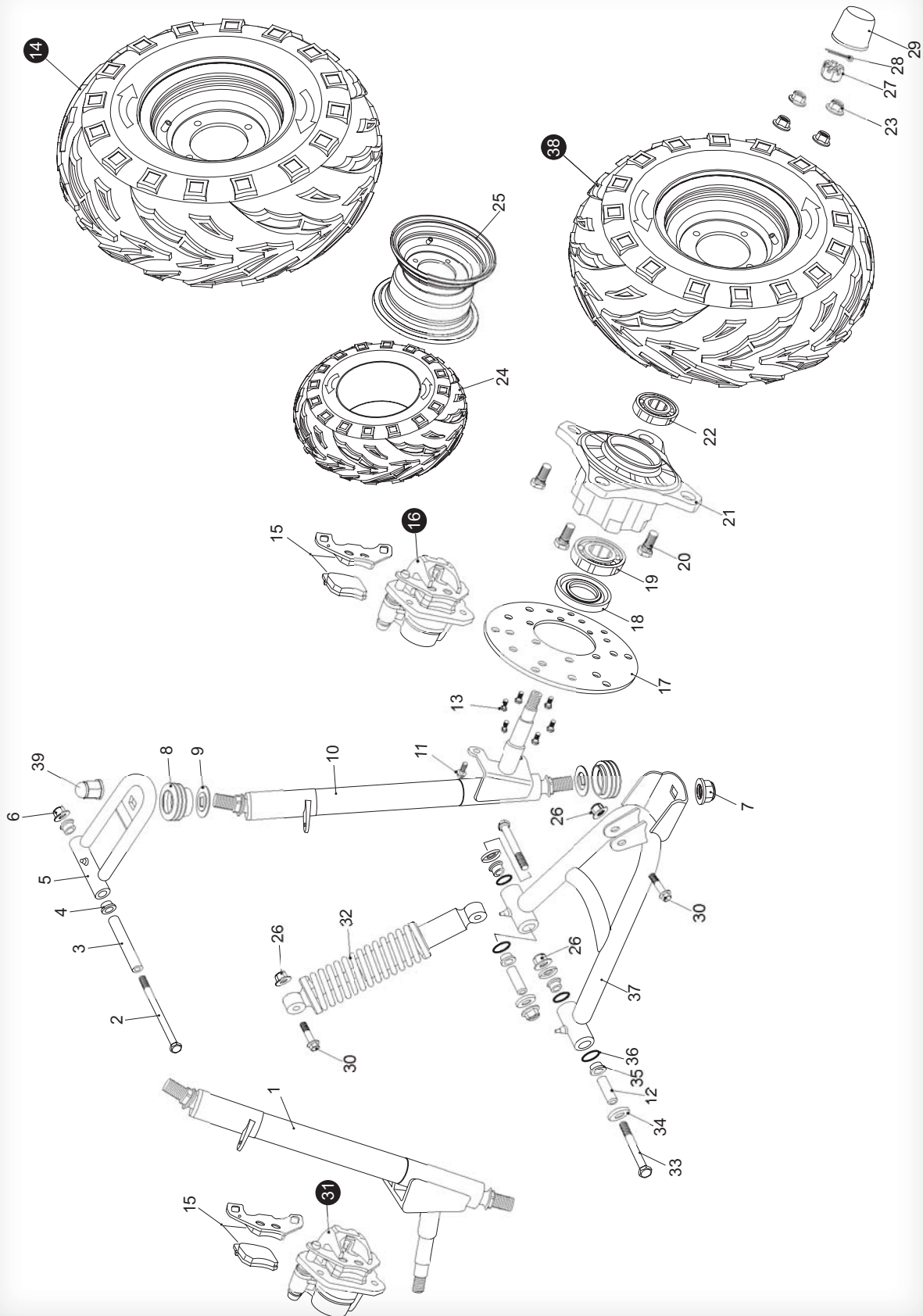


STEERING SHAFT ASSY.

REF NO.	PART NO.	DESCRIPTION	REGD NO.
1	7.010.041	STEERING BOLT COVER	1
2	9.100.612	BOLT STRAP M6x12	3
3	8.030.024	SPINDLE BRACKET	1
4	7.020.010-GT	STEERING WHEEL	1
5	6.000.122	STEERING SHAFT	1
6	7.010.026	BUSH. STEERING SHAFT	2
7	9.700.020	SPECIAL WASHER Φ 20	1
8	9.700.120	CIRCLIP Φ 20	1
9	9.100.825	BOLT M8x25	2
10	9.400.008	LOCKING WASHER Φ 8	2
11	6.000.093-250	STEERING KNUCKLE	1
12	4.000.008-250	STEERING GEAR	1
13	9.108.025	FLANGE BOLT M8x1.25x25	4
14	9.900.016	ROUND NUT M16x1.5	2
15	4.000.008	STEERING BALL JOINT	2
16	9.200.010	NUT M10	2
17	7.020.002-250	BALL JOINT DUST COVER. L.	2
18	8.010.157-250	TIE ROD	2
19	6.000.062-250	ROD END	2
20	9.300.010	FLAT WASHER Φ 10	2
21	9.400.010	LOCKING WASHER Φ 10	2
22	9.800.010	CASTLE NUT M10	2
23	9.500.215	COTTER PIN Φ 2x15	2
24	4.000.054	TILT STEERING HOUSING	1
25	8.020.014	STEERING GEAR BRACKET	2
26	9.220.008	LOCKING FLANGE NUT. M8	8
27	9.708.145	THROTTLE PEDAL BOLT M8x1.25x145	1
28	8.040.001	THROTTLE PEDAL RETURN SPRING, L	1
29	9.108.040	FLANGE BOLT M8x1.25x40	2
30	9.200.008	NUT M8	2
31	4.000.016	THROTTLE PEDAL COMP.	1
32	9.600.515	PAN SCREW M5x15	2
33	9.300.005	FLAT WASHER Φ 5	2
34	9.210.005	NYLON LOCKING NUT M5	2
35	4.000.015	BRAKE PEDAL COMP	1
36	9.700.624	PIN 6x24	1
37	8.010.081	SPINDLE PIN	2
38	9.500.212	COTTER PIN 2X12	1
39	6.000.063	BRAKE LAMP SWITCH ASSY.	1
40	9.600.306	PAN SCREW M3x6	2
41	7.010.004	PEDAL BUSH	4
42	8.040.007	BRAKE PEDAL RETURN SPRING, R	1
43	9.708.222	BRAKE PEDAL BOLT M8x1.25x222	1
44	6.000.076	MASTER CYLINDER	1
45	9.108.035	FLANGE BOLT M8x1.25x35	2
46	7.020.036	THROTTLE PEDAL PAD	1
47	7.020.037	BRAKER PEDAL PAD	1
48	8.070.044	MASTER CYLINDER BRACKET	2
49	8.010.220	ADJUSTING NOB	1
50	7.010.092	STEERING BUSHING	2
51	9.108.105	TILT STEERING BOLTING	1
52	7.010.003	TILT STEERING LOCKING BUSH	2
53	8.010.222	COLLAR	1

FIG.20

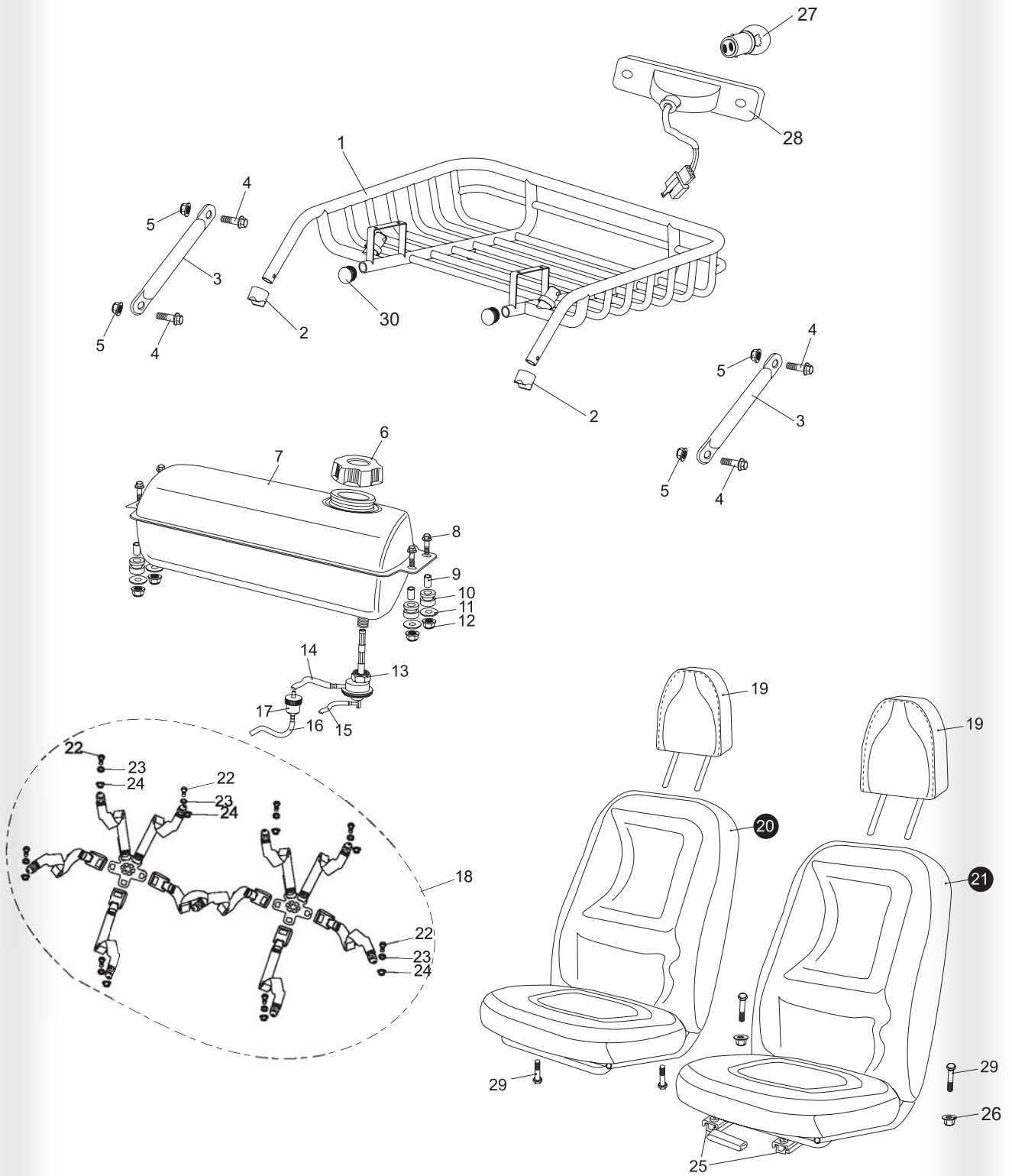
SUSPENSION ARM ASSY.



SUSPENSION ARM ASSY.				
REF NO.	PART NO.	DESCRIPTION	REGD NO.	
1	2.000.028	STRUT AND SPINDLE SUPPORT, R	1	
2	9.108.105	FLANGE BOLT M8x1.25x105	2	
3	8.010.015	UPPER SUSPENSION ARM COLLAR	2	
4	7.010.003	UPPER SUSPENSION ARM BUSHING	4	
5	4.000.004	UPPER SUSPENSION ARM	2	
6	9.220.008	LOCKING FLANGE NUT. M8	2	
7	7.010.140	LOCKING FLANGE NUT. M12	4	
8	7.020.025	BALL HEAD DUST SEAL	4	
9	8.020.053	BALL HEAD SPACER	4	
10	2.000.027	STRUT AND SPINDLE SUPPORT, L	1	
11	9.908.014	BOLT STRAP M8x14	4	
12	8.010.014	LOWER SUSPENSION ARM COLLAR	4	
13	9.906.012	BOLT STRAP M6x12	12	
14	6.000.403-GT	FRONT WHEEL ASS'Y. R 19x7-8	1	
15	7.020.016	PAD SET. FR. BRAKE CALIPER	2	
16	6.000.028	FRONT BRAKE CALIPER. L	1	
17	8.010.054	FRONT DISC BRAKE	2	
18	9.040.002	DUST SEAL 47x25-7	2	
19	9.030.002	BEARING 6204-Z	2	
20	9.710.031	TIRE BOLT M10x1.25x31	8	
21	8.010.085B	FRONT WHEEL HUB	2	
22	9.030.010	BEARING 6202-Z	2	
23	9.220.010	LOCKING FLANGE NUT M10	8	
24	7.020.033	FRONT TIRE 19x7-8	2	
25	6.000.096	FRONT RIM L/R	2	
26	9.220.010	LOCKING FLANGE NUT M10	16	
27	9.800.012	CASTLE NUT M12	2	
28	9.500.220	COTTER PIN Φ 2x20	2	
29	7.020.039	FR. HUB COVER.	2	
30	9.110.040	FLANGE BOLT M10x1.25x40	4	
31	6.000.095	FRONT BRAKE CALIPER. R	1	
32	6.000.325	CUSHION ASSY. FR L=325	2	
33	9.110.080	FLANGE BOLT M10x1.25x80	4	
34	8.020.034	LOWER SUSPENSION ARM DUST CAP	8	
35	7.010.002	LOWER SUSPENSION ARM BUSHING	8	
36	9.040.001	O-RING Φ 21.2x2.65	8	
37	4.000.023	LOWER SUSPENSION ARM ASSY.	2	
38	6.000.003-GT	FRONT WHEEL ASSY. L 19X7-8	1	
39	8.010.140	ACORN NUT M12	2	

FIG.21

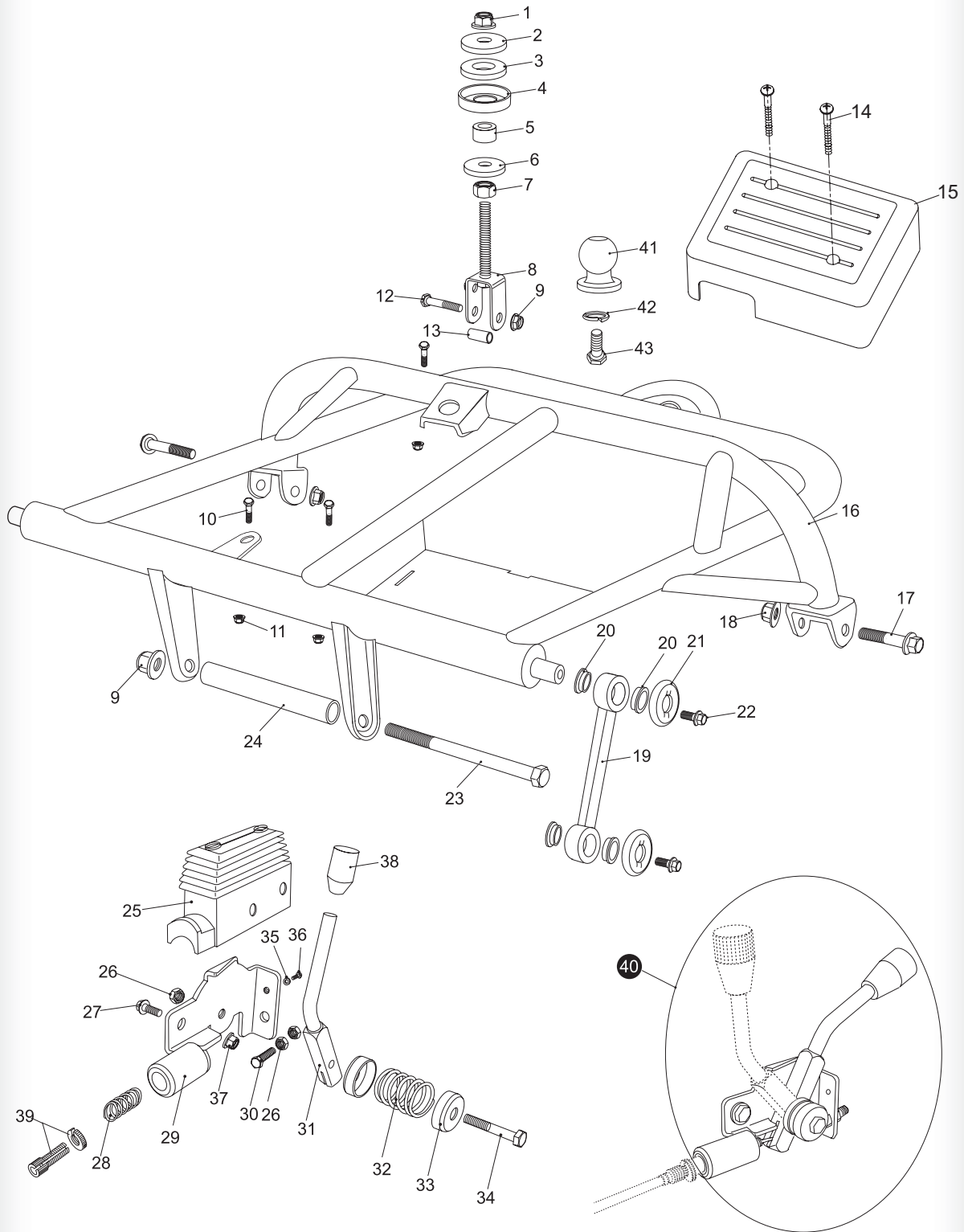
REAR CARGO RACK/SEAT/BELT



REAR CARGO RACK/SEAT/BELT				
REF NO.	PART NO.	DESCRIPTION	REGD NO.	
1	2.000.064	REAR CARGO RACK	1	
2	7.010.017	TUBE SEAT $\Phi 25$	2	
3	8.080.053	RACK SUPPORT ARM	1	
4	9.108.020	FLANGE BOLT M8x1.25x20	4	
5	9.220.008	LOCKING FLANGE NUT. M8	4	
6	6.000.145	FUEL TANK CAP COMP.	1	
7	4.000.029	FUEL TANK COMP.	1	
8	9.108.025	FLANGE BOLT M8x1.25x25	4	
9	8.010.034	TANK COLLAR	4	
10	7.020.005	RUBBER MOUNTING	4	
11	9.300.008	FLAT WASHER $\Phi 8$	4	
12	9.210.008	NYLON LOCKING FLANGE NUT M8	6	
13	6.000.046	AUTO FUEL COCK ASS'Y.	1	
14	7.020.021	FUEL TUBE COMP. #1	1	
15	7.020.031	VACUUM TUBE COMP.	1	
16	7.020.022	FUEL TUBE COMP. #2	1	
17	6.000.056	FILTER	1	
18	6.000.354	SAFETY BELT COMP.	1	
19	6.000.376	HEAD-REST	2	
20	6.000.378	SEAT COMP R.	1	
21	6.000.377	SEAT COMP. L	1	
22	9.700.001	SPECIAL BOLT, M7/16"x28	1	
23	9.700.002	BELT WASHER $\varnothing 12$	9	
24	9.700.003	BELT NUT M7/16"	9	
25	6.000.379	SEAT RAIL SET.	1	
26	9.220.008	LOCKING FLANGE NUT M8	2	
27	9.090.002	TAIL LIGHT BULB.	1	
28	6.000.387	TAIL LIGHT	2	
29	9.900.840	BOLT SHARP M8X1.25X40	4	
30	7.020.032	COVER TUBE	2	

FIG.22

REAR SWING ARM ASSY. UPPER

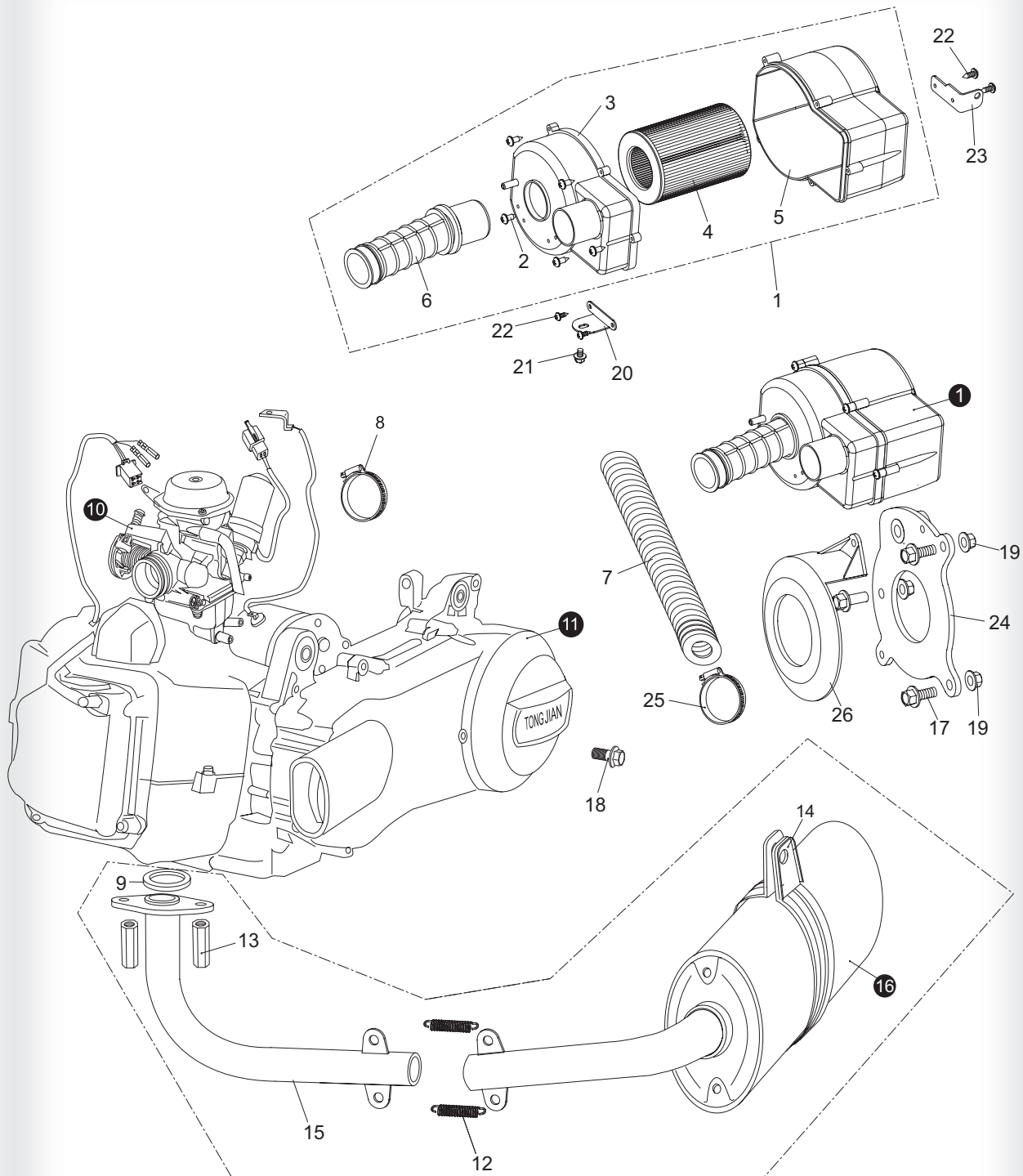


REAR SWING ARM ASSY. UPPER

REF NO.	PART NO.	DESCRIPTION	REGD NO.	
1	9.220.012	LOCKING FLANGE NUT M12	1	
2	8.010.042	ENGINE MOUNTING LINK WASHER	1	
3	7.020.001	ENGINE MOUNTING LINK CUSHION	1	
4	8.020.045	ENGINE MOUNTING LINK SPACER	1	
5	8.010.041	ENGINE MOUNTING LINK COLLAR	1	
6	9.300.012	FLAT WASHER Φ 12	1	
7	9.200.012	NUT M12	1	
8	6.000.026	ENGINE MOUNTING BOLT PLATE	1	
9	9.220.010	LOCKING FLANGE NUT M10	1	
10	9.106.022	FLANGE BOLT M6x22	3	
11	9.210.008	LOCKING NYLON NUT M6	3	
12	9.110.045	BOLT-WASHER M10x1.25x45	1	
13	8.010.076	ENGINE MOUNTING BOLT PLATE COLLAR	1	
14	9.600.655	PAN SCREW M6x55	2	
15	7.010.029	ELECTRIC ASSY. COVER	1	
16	2.000.066	REAR SWING ARM ASSY. UPPER	1	
17	9.112.060	FLANGE BOLT M12x1.25x60	2	
18	9.220.012	LOCKING FLANGE NUT M12	2	
19	8.030.001	SWING ARM DOG BONE	2	
20	7.010.008	CON' ROD BUSH	8	
21	8.020.013	CON' ROD SPACER	4	
22	9.108.016	FLANGE BOLT M8x1.25x16	4	
23	9.710.195	FLANGE BOLT M10x1.25x195	1	
24	8.010.025	ENGINE MOUNT COLLAR	1	
25	7.020.024	REVERSE LEVER COVER	2	
26	9.210.008	LOCKING NYLON NUT M8	6	
27	9.108.020	FLANGE BOLT M8x1.25x20	2	
28	8.040.004	CABLE SPRING	2	
29	6.000.064	LEVER BRACKET	2	
30	9.100.830	BOLT M8x30	1	
31	6.000.065	REVERSE, PARKING BRAKE LEVER	2	
32	8.040.003	LEVER SPRING	2	
33	8.020.082	LEVER SPACER	4	
34	9.108.040	FLANGE BOLT M8x1.25x40	2	
35	9.300.005	FLAT WASHER Φ 5	2	
36	9.600.512	PAN SCREW M5x12	2	
37	9.220.008	LOCKING FLANGE NUT M8	4	
38	7.020.026	LEVER. GREEN / BLACK COVER	2	
39	6.000.051	CABLE ROD ADJUSTING	2	
40	6.000.042	PARKING BRAKE/REVERSE LEVER ASSY.	2	
41	8.010.084	TOW BALL	1	
42	9.400.018	LOCKING WAHSER Φ 18	1	
43	9.118.040	BOLT M18x40	1	

FIG.23

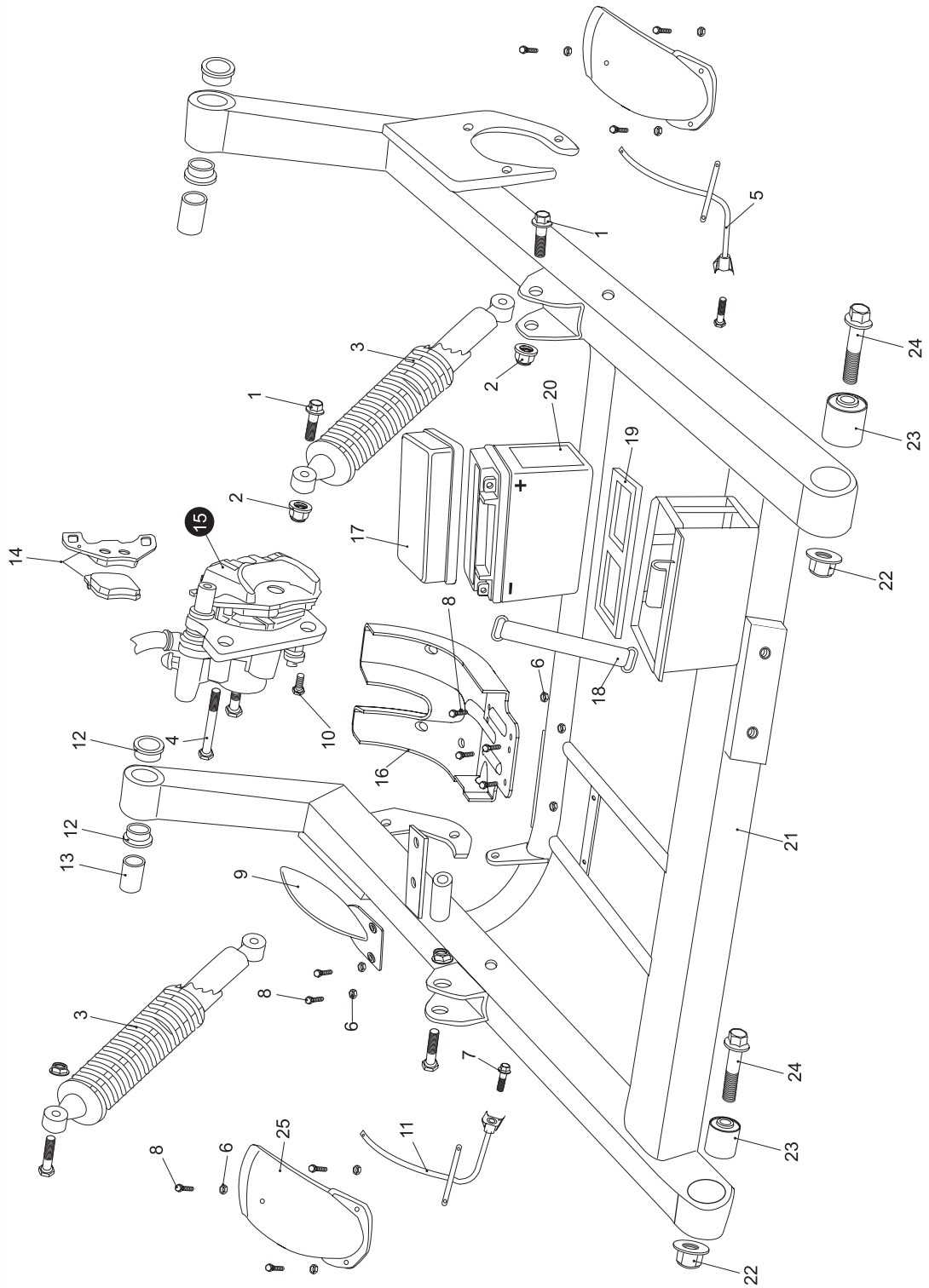
ENGINE/MUFFLER/AIR CLEANER



ENGINE/MUFFLER/AIR CLEANER				
REF NO.	PART NO.	DESCRIPTION	REGD NO.	
1	4.000.055	AIR CLEANER ASSY.	1	
2	9.805.003	TAPPING SCREW M5X16	5	
3	7.010.087	AIR CLEANER COVER	1	
4	6.000.388	AIR CLEANER ELEMENT	1	
5	7.010.088	AIR CLEANER CASE COMP	1	
6	6.000.389	AIR CLEANER BREATHE TUBE	1	
7	6.000.390	AIR CLEANER DUCT	1	
8	8.020.228	AIR CLEANER CLAMP	1	
9	9.040.016	EX.PIPE GASKET	1	
10	6.000.024	CARBURETOR	1	
11	2.000.065	ENGINE 150CC	1	
12	6.000.393	SPRING	2	
13	9.040.027	MUFFLER JOINT NUT M6	2	
14	8.020.236	MUFFLER CLAMP	1	
15	6.000.410	MUFFLER HEADER	1	
16	8.020.230	MUFFLER COMP.	1	
17	9.108.020	FLANGE BOLT M8X1.25X20	3	
18	9.110.030	BOLT WASHER M10X1.25X30	1	
19	9.220.008	FLANGE NUT M8	3	
20	8.020.234	AIR FILTER MOUNTING PLATE A	1	
21	9.110.010	BOLT WASHER M10X1.25X10	1	
22	9.845.005	TAP BOLT	4	
23	8.020.235	AIR FILTER MOUNTING PLATE B	1	
24	8.020.020	ENGINE MOUNTING PLATE	1	
25	8.020.238	PIPE CLAMP	1	
26	7.010.095	CHAIN GUARD	1	

FIG.24

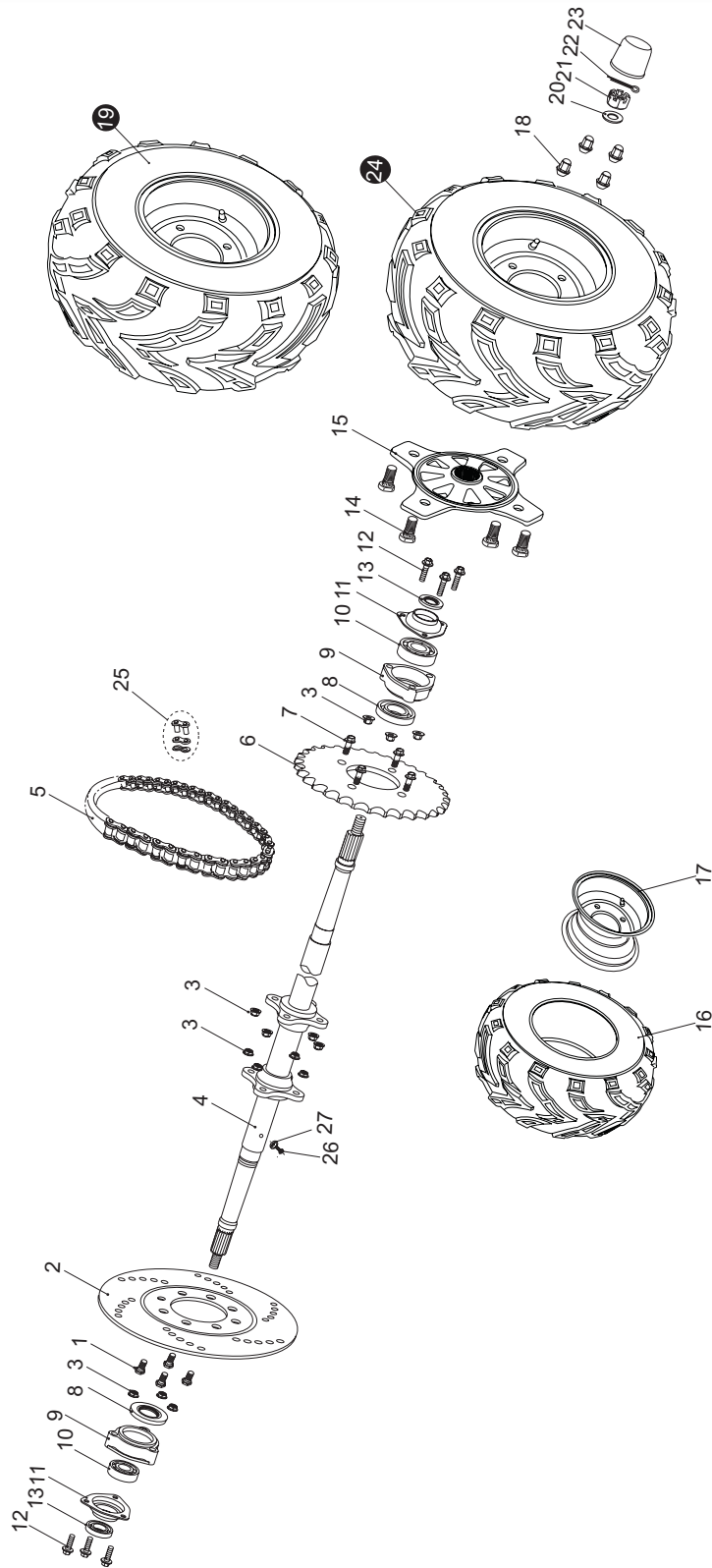
REAR SWING ARM



REAR SWING ARM				
REF NO.	PART NO.	DESCRIPTION	REGD NO.	
1	9.110.040	FLANGE BOLT M10x1.25x40	4	
2	9.220.010	LOCKING FLANGE NUT M10	4	
3	6.000.006	CUSHION ASSY. RR	2	
4	9.908.100	BOLT STRAP M8x1.25x100	1	
5	6.000.101-GT	REAR FENDER BRACKET, L	1	
6	9.210.006	LOCKING NYLON NUT M6	12	
7	9.108.045	FLANGE BOLT M8x1.25x45	2	
8	9.906.016	FLANGE BOLT M6x16	12	
9	7.010.031	DISC. RR COVER	1	
10	9.908.012	BOLT STRAP M8x1.25x12	1	
11	6.000.068-GT	REAR FENDER BRACKET, R	1	
12	7.010.006	SWING ARM BUSHING	4	
13	8.010.028	SWING ARM COLLAR	2	
14	7.020.022	RR. BRAKE PAD SET	1	
15	6.000.229	CALIPER ASSY. RR	1	
16	7.010.094	CHAIN DISC GUARD	1	
17	7.010.028	BATTERY COVER	1	
18	7.020.086	BATTERY BAND	1	
19	7.020.020	BATTERY LOWER CUSHION	1	
20	6.000.382	BATTERY (YTX12-BS)	1	
21	2.000.042-GT	RR. LOWER SWING ARM COMP.	1	
22	9.220.012	LOCKING FLANGE NUT M12	2	
23	7.020.008	SWING ARM CUSHION BUSHING	2	
24	9.112.060	FLANGE BOLT M12x1.25x60	2	
25	7.010.064	REAR FENDER L/R	2	

FIG.25

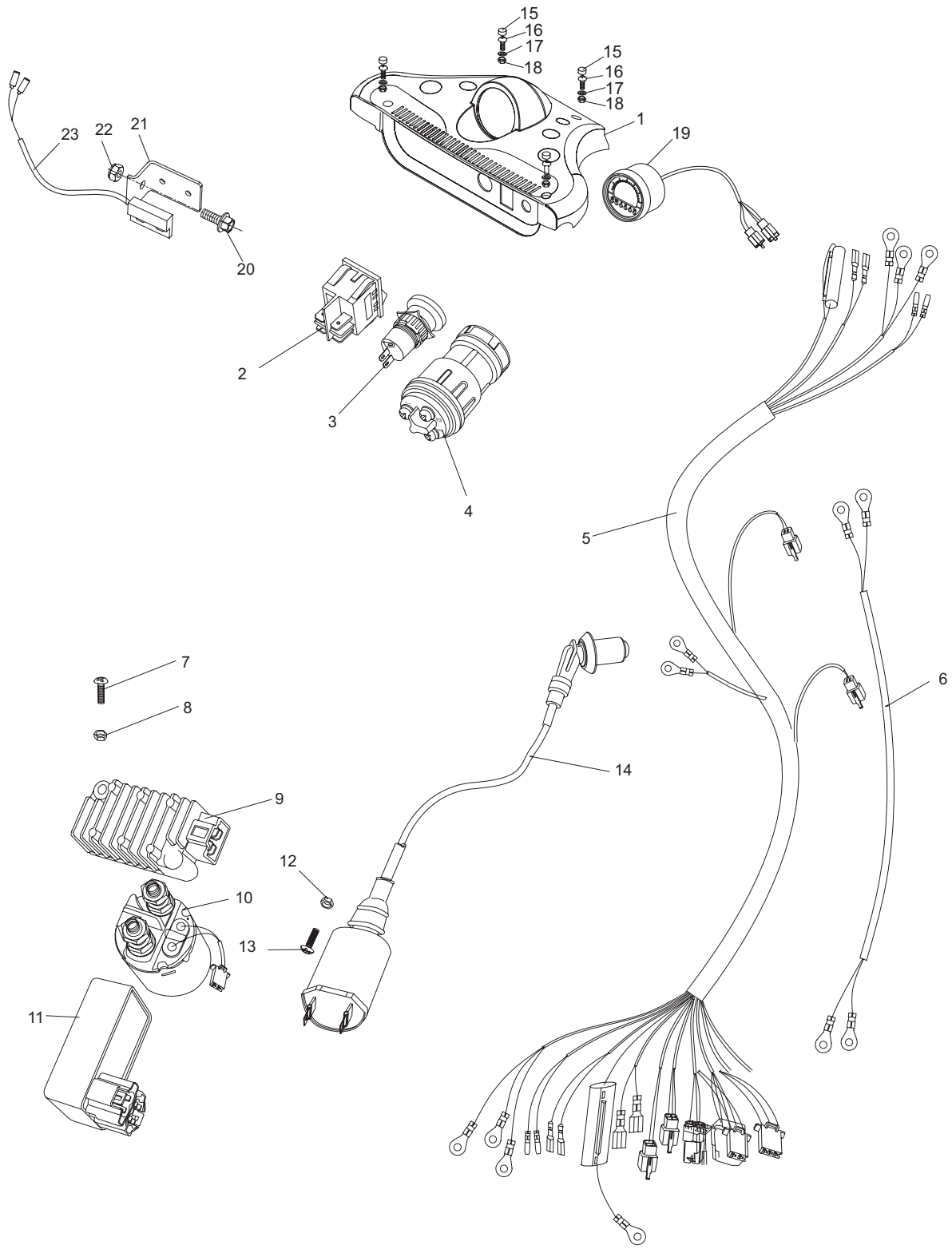
REAR HOUSING



REAR HOUSING				
REF NO.	PART NO.	DESCRIPTION	REGD NO.	
1	9.108.022	FLANGE BOLT M8x1.25x22	4	
2	8.010.053	BRAKE DISC. RR	1	
3	9.220.008	LOCKING FLANGE NUT M8	14	
4	8.010.231	REAR AXLE	1	
5	7.060.040	DRIVE CHAIN 56'	1	
6	8.010.077	REAR SPROCKET 39TEETH	1	
7	9.108.027	FLANGE BOLT M8x1.25x27	4	
8	9.040.006	DUST SEAL 50X34-7	2	
9	8.030.008	AXLE BRG HOUSING COMP. RR	2	
10	9.030.006	BEARING 6206	2	
11	8.020.028	BEARING BASE	2	
12	9.108.040	FLANGE BOLT M8x1.25x40	6	
13	9.040.007	DUST SEAL 42X30-7	2	
14	9.710.031	TIRE BOLT M10x1.25x31	8	
15	8.010.089B	REAR AXLE HUB	2	
16	7.020.035	TIRE. RR 21x10-10	2	
17	6.000.105	RIM. RR	2	
18	8.010.118	CAP LUG NUT M10	8	
19	6.000.052-GT	REAR WHEEL ASSY. R	1	
20	9.700.016	WHEEL SPACER. RR. Φ 16	2	
21	9.800.016	CASTLE NUT M16	2	
22	9.500.430	COTTER PIN Φ 4X30	2	
23	7.020.039	COVER. RR. HUB	2	
24	6.000.383	REAR WHEEL ASSY. L	1	
25	6.000.149	CHAIN MASTER LINK	1	
26	9.600.308	SCREW M3X8	1	
27	7.050.001	MAGNETIC STEEL	1	

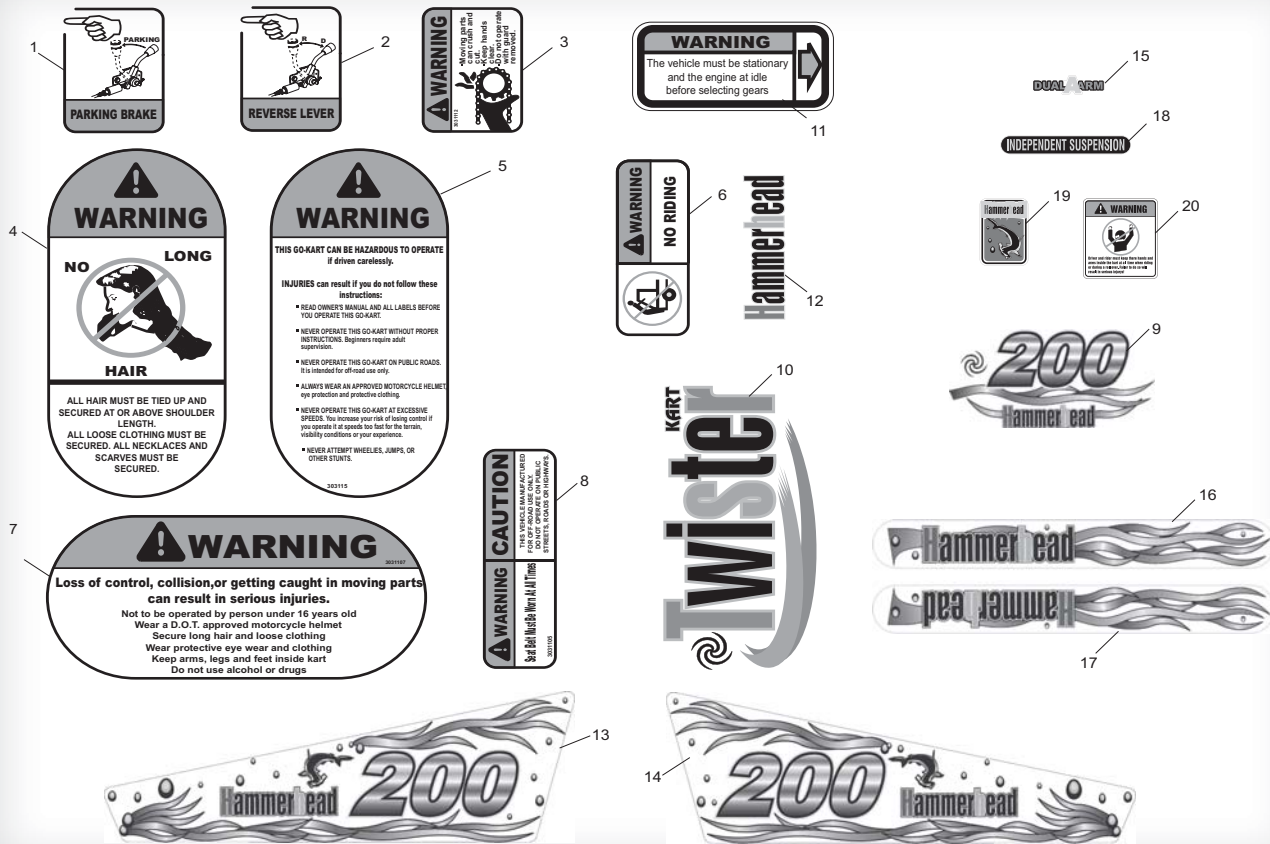
FIG.26

WIRE HARNESS/ELECTRICAL



WIRE HARNESS/ELECTRICAL				
REF NO.	PART NO.	DESCRIPTION	REGD NO.	
1	7.010.093	SWITCH PANEL COVER	1	
2	6.000.411	HEADLIGHT SWITCH	1	
3	6.000.159	ENGINE STOP BUTTON	1	
4	6.000.020-J	IGNITION START SWITCH	1	
5	6.000.395	WIRE HARNESS.	1	
6	6.000.396	SOCKET COMP	1	
7	9.100.620	BOLT M6x20	2	
8	9.210.006	NYLON LOCKING NUT M6	2	
9	6.000.124	REGULATE RECTIFIER COMP.	1	
10	6.000.035	STARTING RELAY	1	
11	6.000.267	C.D.I. UNIT COMP.	1	
12	9.210.005	NYLON LOCKING NUT M5	1	
13	9.600.525	ROUND HEAD BOLT M5x25	1	
14	6.000.025	IGNITION COIL COMP.	1	
15	7.010.061	BOLT COVER	4	
16	9.600.615	PAN SCREW M6X15	4	
17	9.300.006	WASHER Φ 6	4	
18	9.210.005	NYLON LOCKING NUT M6	4	
19	4.000.038-GT	SPEEDOMETER	1	
20	9.106.014	BOLT M6X14	1	
21	8.020.197	SENSOR BRACKET	1	
22	9.210.006	NYLON LOCKING NUT M6	1	
23	6.000.268	SENSOR	1	

WARNING STICKERS



WARNING STICKERS				
REF NO.	PART NO.	DESCRIPTION	REGD NO.	
1	9.090.007	PARKING BRAKE LABEL	1	
2	9.090.008	REVERSE LEVER LABEL	1	
3	9.090.009	CHAIN GUARD LABEL	1	
4	9.090.010	NO LONG HAIR LABEL	1	
5	9.090.011	WARNING LABEL	1	
6	9.090.012	NO CLIMBING LABEL	1	
7	9.090.013	WARNING LABEL	1	
8	9.090.014	SEAT BELT LABEL	1	
9	9.090.076	R. SIDE C.B.C. LABEL A	1	
10	9.090.016	TWISTER LABEL	3	
11	9.090.017	WARNING LABEL	1	
12	9.090.018	FUEL TANK LABEL	1	
13	9.090.077	SIDE PLATE LABEL	1	
14	9.090.078	SIDE PLATE LABEL	1	
15	9.090.079	DUAL A ARM LABEL	1	
16	9.090.080	R. SIDE C.B.C.LABEL B	1	
17	9.090.081	L. SIDE C.B.C.LABEL B	1	
18	9.090.082	INDEPENDENT SUSPENSION LABEL	1	
19	9.090.083	FRONT PLATE A	1	
20	9.090.085	ARMS IN	1	