



2012-2015 GL150

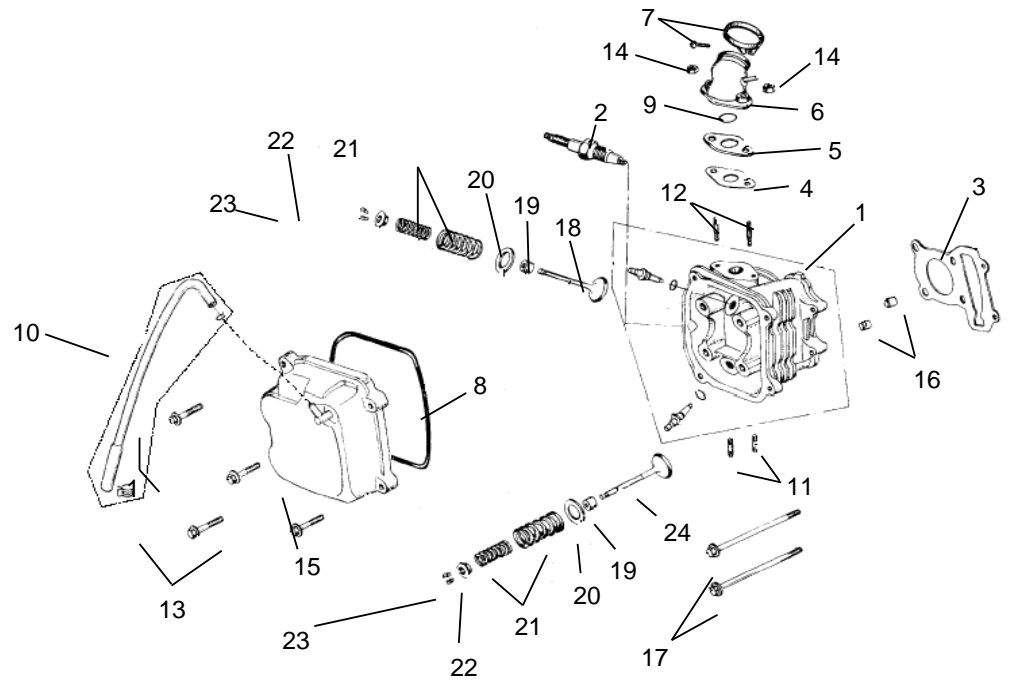
10th letter in VIN: C-F



ILLUSTRATED PARTS BOOK

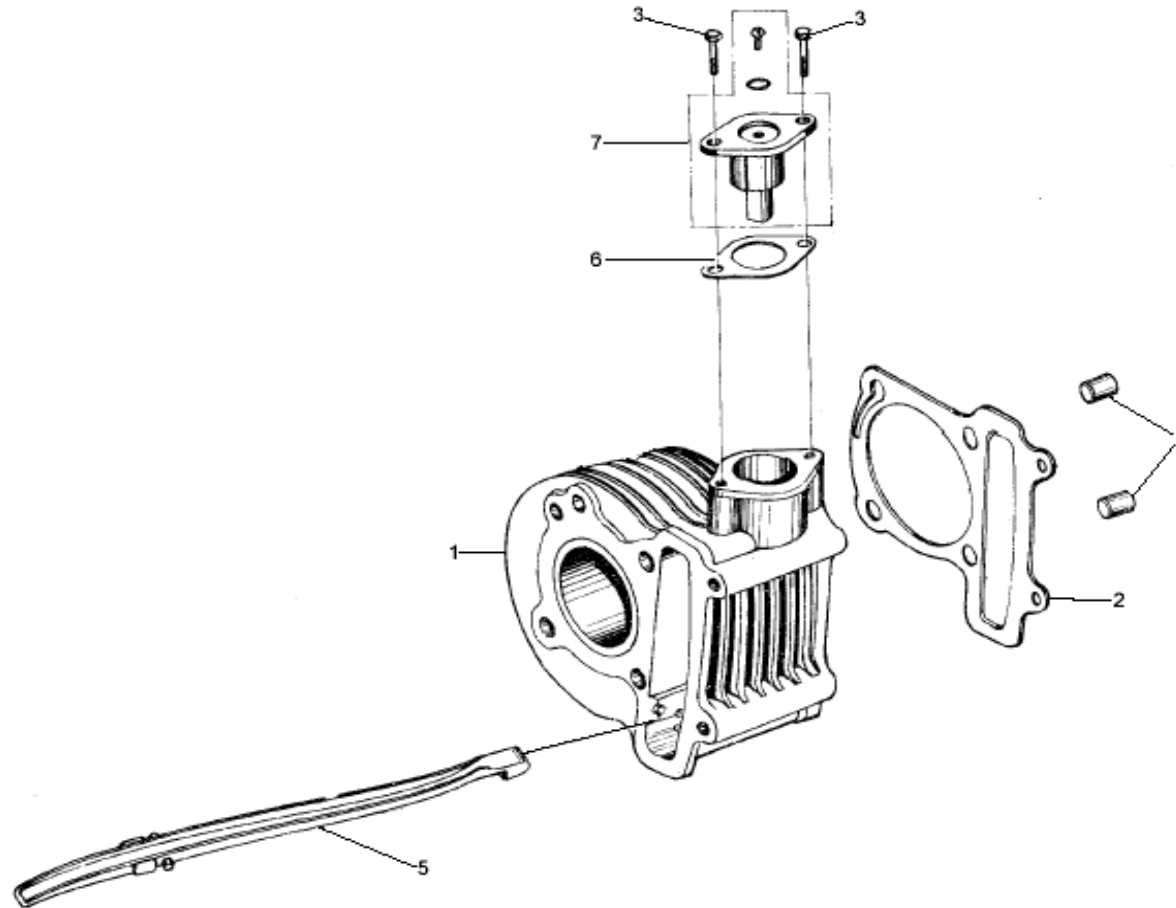
Section 1 - Cylinder Head Asm

Ref No	Part No	Description	QTY
1	M150-100-1320	HEAD, CYLINDER - 150CC	1
2	98056-57713-00	SPARK PLUG (CR7HSA)	1
3	M150-1001010	GASKET, CYL HEAD - 150CC	1
4	M150-3050352	GASKET, CARB INSULATOR - 150CC	1
5	M150-1001005	INSULATOR, CARB - 150CC	1
6	M150-1001210	MANIFOLD, INTAKE - 150CC	1
7	M150-1001220	CLAMP, CARB HOSE - 150CC	1
8	M150-1001103	GASKET, VALVE COVER - 150CC	1
9	M150-1001201	O-RING, M27 X 2 RUBBER - 150CC	1
10	M150-1001001	TUBE, BREATHER - 150CC	1
11	M150-1001011	STUD, M6 X 1.25 X 18	2
12	M150-1001006	STUD, M6 X 1.25 X 50	2
13	M150-B-1003075	BOLT, M6 x 1.00 x 25 HHF	4
14	95500-06001-KAS	NUT, M6 x 1.00 HEX FLANGE	2
15	M150-1001100	COVER, VALVE - 150CC	1
16	M150-1001007	PIN, M10 X 16 DOWEL	2
17	M150-1003007	BOLT FLANGE SH 6 X 100	2
18	M150-1001301-N	VALVE, INTAKE - 150CC	1
19	M150-1001310	SEAL, VALVE STEM - 150CC	2
20	M150-1001302	SEAT, VALVE SPRING OUTER - 150CC	2
21	M150-1001303	SPRING, OUTER AND INNER VALVE - 150CC	2
22	M150-1001305	RETAINER, VALVE SPRING - 150CC	2
23	M150-1001306	KEEPER, VALVE SPRING - 150CC	4
24	M150-1001307-N	VALVE, EXHAUST - 150CC	1



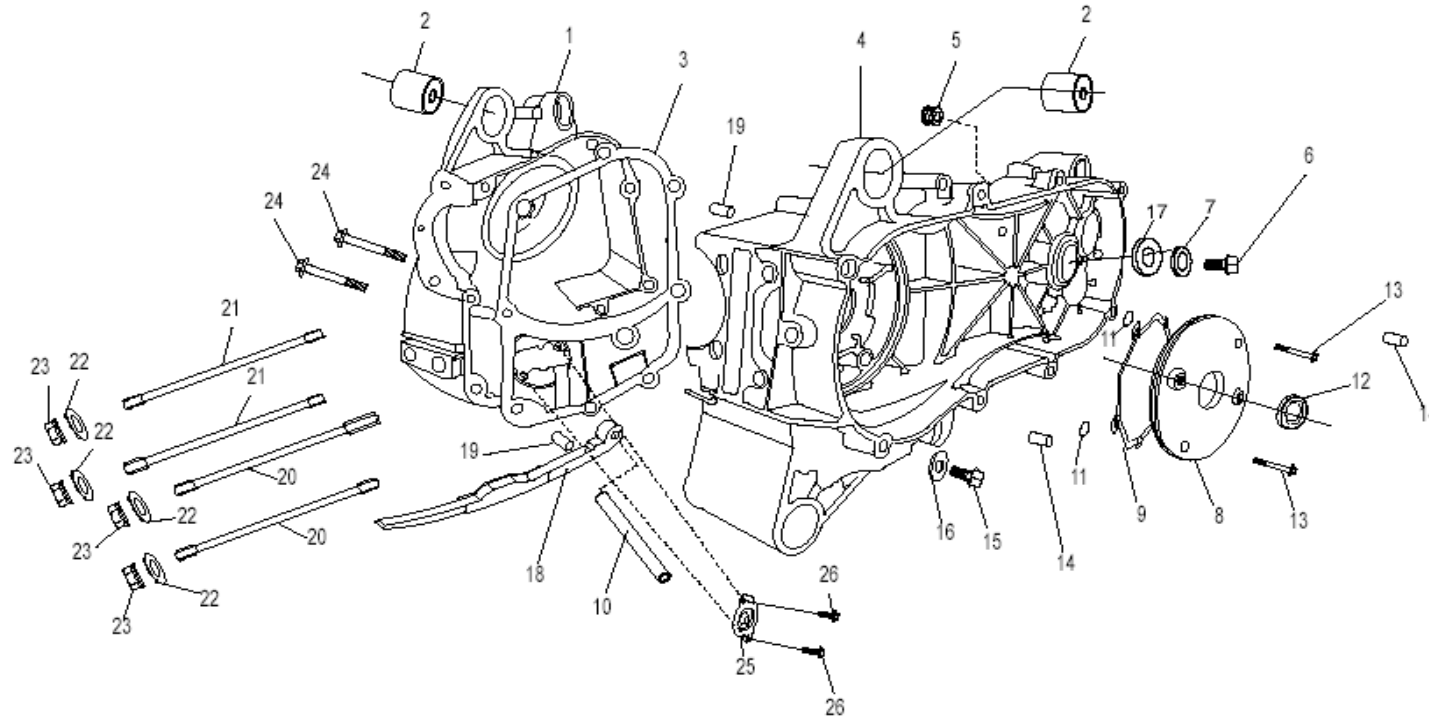
Section 2 - Cylinder

Ref No	Part No	Description	QTY
1	M150-1002200	CYLINDER - 150CC	1
2	M150-3050351	GASKET, CYLINDER BASE - 150CC	1
3	96001-06020-KAT	BOLT FLANGE SH 6 X 22	2
4	M150-1001007	PIN, M10 X 16 DOWEL	2
5	M150-1002300	GUIDE, CAM CHAIN - 150CC	2
6	M150-3050347	GASKET, CAM CHAIN TENSIONER - 150CC	1
7	M150-1002100	ASM, CAM CHAIN TENSIONER - 150CC	1



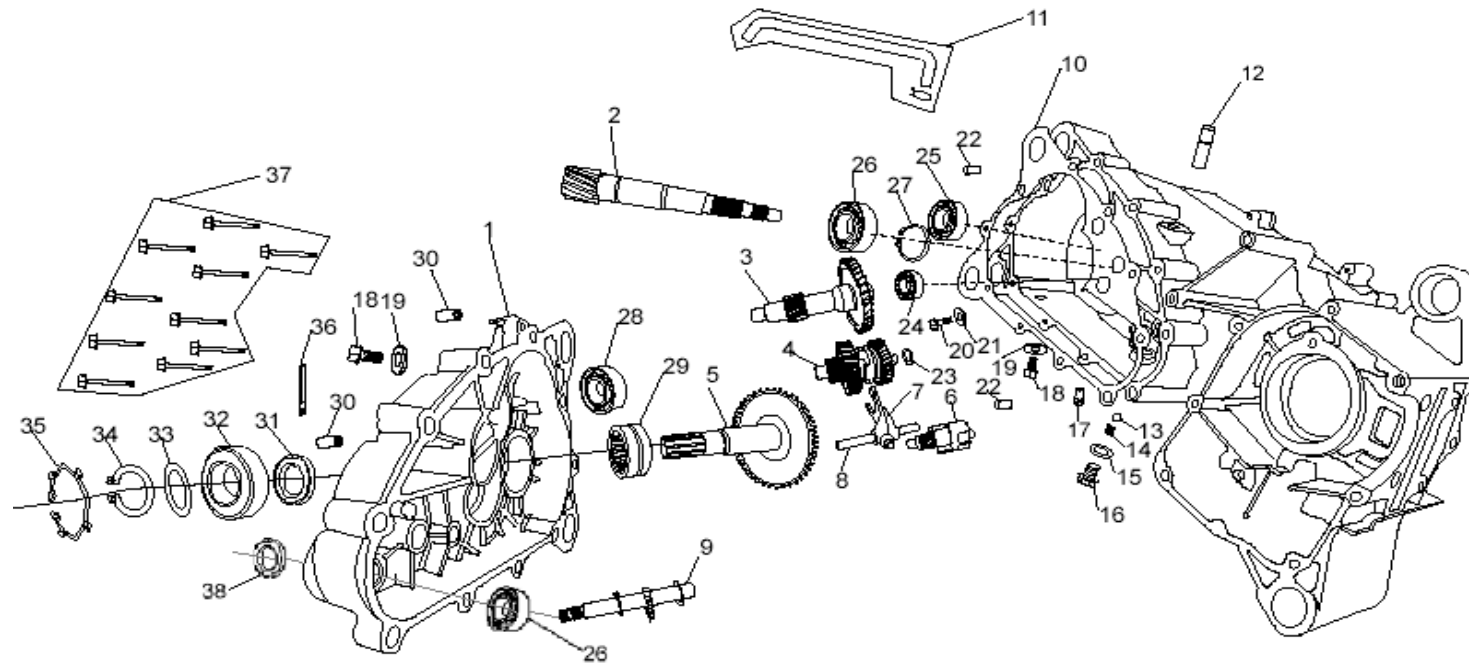
Section 3 - Engine Crankcase

Ref No	Part No	Description	QTY	Ref No	Part No	Description	QTY
1	14277	HOUSING, CRANKCASE RH - 150CC	1	14	14287	PIN, M10 X 14 DOWEL	2
2	14278	BUSHING, ENGINE HANGER - 150CC	2	15	M150-1003018	BOLT, M12 X 1.5 SPECIAL - 150CC	1
3	M150-3050348	GASKET, CRANKCASE - 150CC	1	16	M150-1003019	WASHER, M12 FLAT ZN	2
4	14280	HOUSING, CRANKCASE LH - 150CC	1	17	M150-1042000	SEAL, M20 X 32 X 6	2
5	14558	GROMMET	1	18	M150-1003500	TENSIONER, CAM CHAIN - 150CC	1
6	14281	BOLT, M10 X 1.25 X 15 FHCS ZN	1	19	M150-1003005	PIN DOWEL SPECIAL 8 X 14	2
7	14282	WASHER, M10.2 X 18 X 1.3 FLAT	1	20	M150-1003002	STUD, M8 X 1.25 X 195.5	2
8	14283	COVER, SMALL LEFT - 150CC	1	21	M150-1003001	STUD, M8 X 1.25 X 187.5	2
9	14284	O-RING, M108 X 2	1	22	M150-1003004	WASHER, M8 FLAT ZN	4
10	14559	PIN	1	23	M150-1003003	NUT, M8 X 1.25 FLANGE HEAD	4
11	14285	O-RING, M6 X 1.8	2	24	M150-1003003	NUT, M8 X 1.25 FLANGE HEAD	4
12	M150-1003110	OIL SEAL 19.8 X 30 X 5	1	25	M150-1003202	SPACER, OIL - 150CC	1
13	14286	BOLT, M6 X 1.00 X 18 FHCS ZN	4	26	M150-1003203	BOLT, M6 X 1.00 X 12 FHCS ZN	2



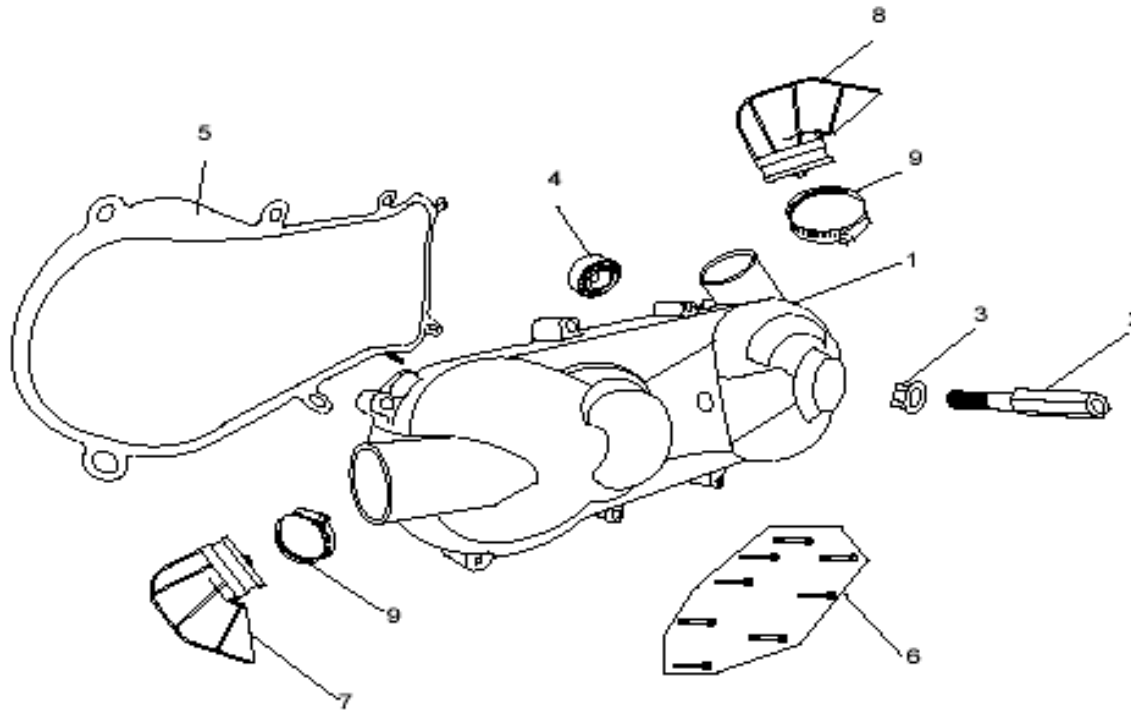
Section 4 - Transmission

Ref No	Part No	Description	QTY	Ref No	Part No	Description	QTY
1	14297	HOUSING, OUTER TRANSMISSION - 150CC	1	20	14296	BOLT, M6 X 1.00 X 12 FHCS ZN	2
2	14298	GEAR, PRI DRIVE - 150CC	1	21	14315	WASHER, M6 FLAT	2
3	14299	GEAR, SEC DRIVE - 150CC	1	22	14287	PIN, M10 X 14 DOWEL	2
4	14300	ASM, SHIFT GEAR CLUSTER D/N/R - 150CC	1	23	14316	SPACER, M15 INNER GEAR - 150CC	1
5	14301	GEAR, FINAL DRIVE SHAFT - EXT - 200S	1	24	91004-E6202-KAT	BEARING, OUTER - 6202-Z	1
6	14302	ASM, SHIFT SELECTOR - 150CC	1	25	91004-E6203-KAT	BEARING BALL RADIAL 6203	1
7	14303	PAWL, SHIFT SELECTOR - 150CC	1	26	91004-E6204-KAT	BEARING, INNER - 6204-Z	1
8	14304	ROD, SHIFT PAWL - 150CC	1	27	14106	CIRCLIP, M20	1
9	14305	SHAFT, SHIFTER CAM - 150CC	1	28	14503	BEARING, 6302 15 X 42 X 13	1
10	M150-3050349	GASKET, TRANSMISSION CASE - 150CC	1	29	14504	BEARING, RNA4905 30 X 42 X 17	1
11	M150-1003400	TUBE, TRANSMISSION VENT - 150CC	1	30	14505	BUSHING, SHOCK ABSORBING - 150CC	2
12	14308	NIPPLE, VENT TUBE - 150CC LARGE	1	31	14318	SEAL, M30 X 40 X 6	1
13	14309	BALL, SHIFT INDENT - 150CC	1	32	14598	BEARING, SEALED 6205 - 150CC	1
14	14310	SPRING, SHIFT INDENT - 150CC	1	33	14511	WASHER, M22 X 31 X 2.5 FLAT	1
15	14311	GASKET, SHIFT INDENT - 150CC	1	34	14319	CIRCLIP, M25	1
16	14312	BOLT, SHIFT INDENT - 150CC	1	35	14320	CIRCLIP, M52	1
17	14502	NIPPLE, VENT TUBE - 150CC SMALL	1	36	14321	CLAMP, WIRE - 150CC	1
18	14313	BOLT, DRAIN/FILL PLUG - 150CC	2	37	14235	BOLT, M6 X 1.00 X 40 FHCS ZN	10
19	14314	GASKET, TRANS DRAIN PLUG - 150CC	2	38	14597	OIL SEAL, SHIFTER CAM - 150CC	1



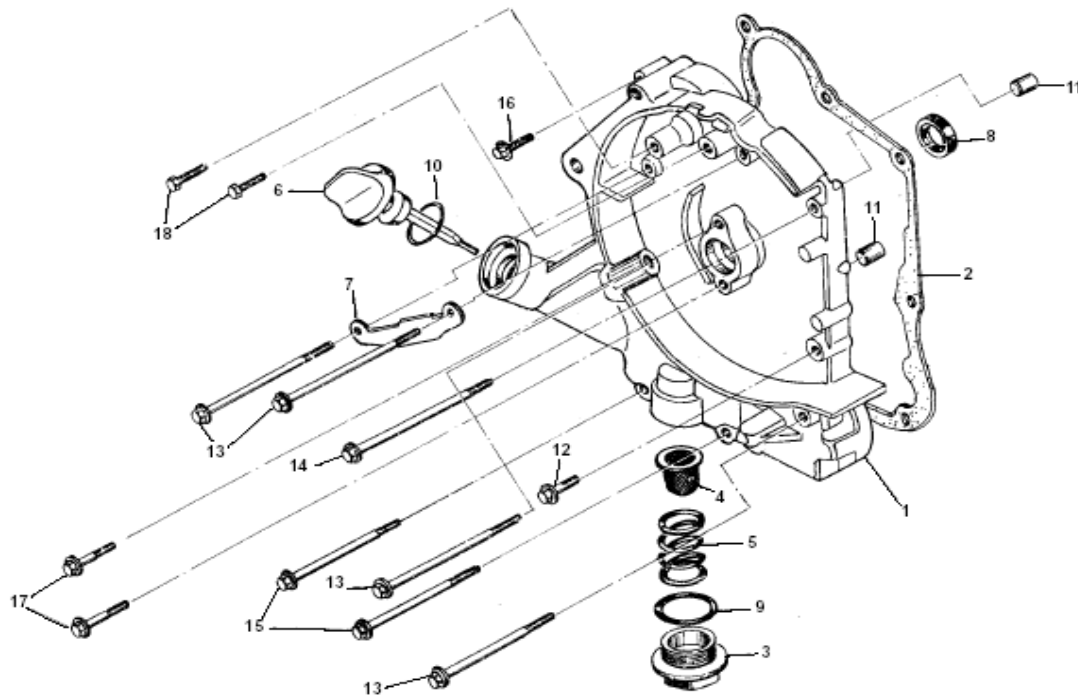
Section 5 - CVT Cover

Ref No	Part No	Description	QTY
1	M150-1008101-N	COVER, CVT - 150CC	1
2	14507	BRACKET, EXHAUST - 150CC	1
3	M150-1004008	NUT, M12 X 1.25 LOCKING FLANGE ZN	1
4	14508	BEARING, 6200 10 X 30 X 9	2
5	M150-3050353	GASKET, CVT COVER - 150CC	1
6	9.106.040	BOLT, M6 X 1.00 X 40 FHCS ZN	8
7	14322	SNORKEL, CVT - 150CC	1
8	14322	SNORKEL, CVT - 150CC	1
9	14509	CLAMP, SNORKEL - 150CC	2



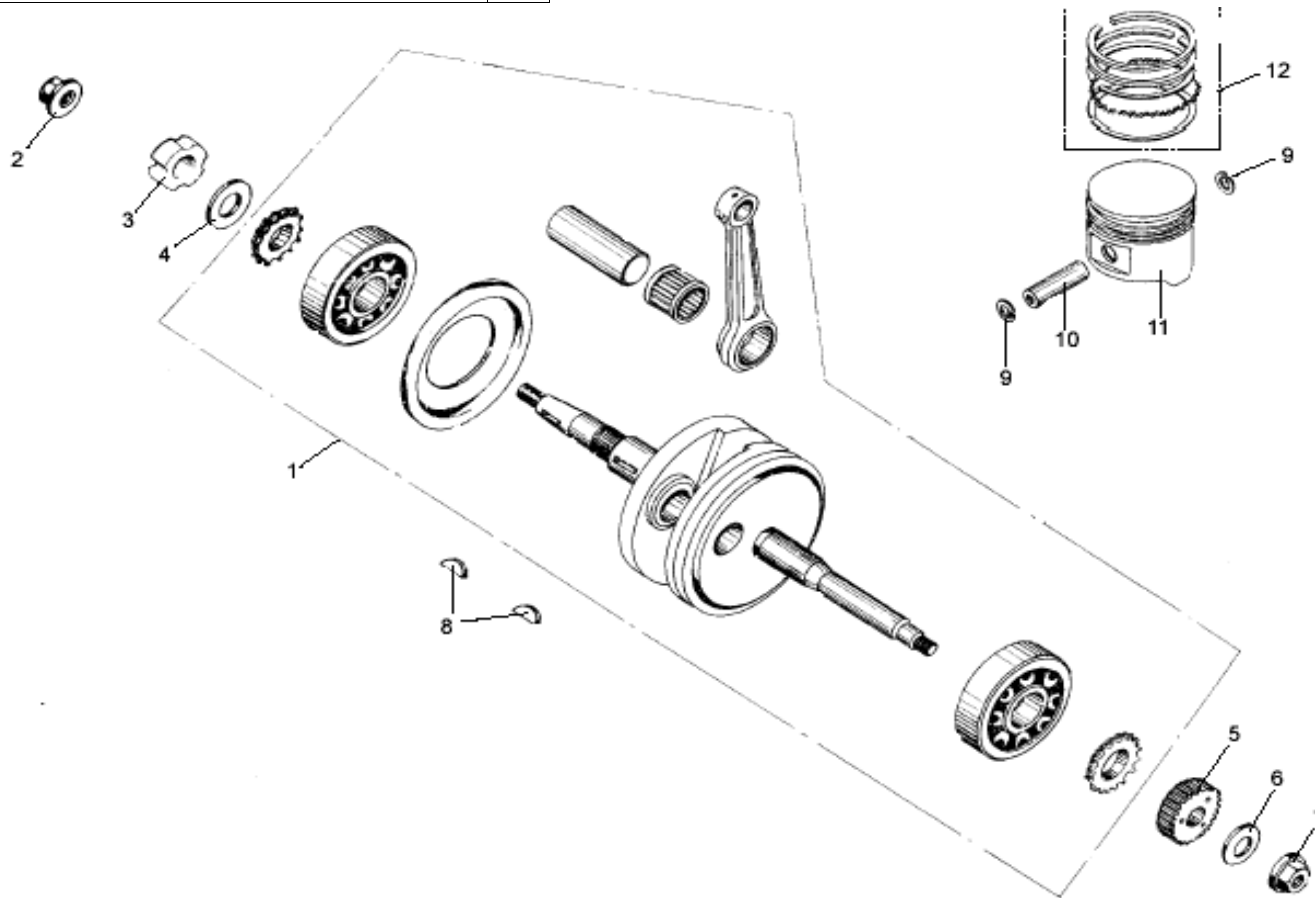
Section 6 - Outer Crankcase Asm

Ref No	Part No	Description	QTY
1	M150-1003101-B	COVER, OUTER CRANKCASE RH - 150CC	1
2	M150-3050350	GASKET, OUTER CRANKCASE - 150CC	1
3	M150-1003104	CAP, OIL DRAIN - 150CC	1
4	M150-1003120	SCREEN, OIL FILTER - 150CC	1
5	M150-1003102	SPRING, OIL FILTER SCREEN - 150CC	1
6	M150-1003105	DIPSTICK, OIL FILL - 150CC	1
7	M150-1003006	CLAMP, AC GENERATOR - 150CC	1
8	M150-1003110	SEAL, M19.8 X 30 X 5 OIL	1
9	M150-1003103	O-RING, M30.8 X 3	1
10	M150-1003307	O-RING, M18 X 3	1
11	M150-1003005	PIN DOWEL SPECIAL 8 X 14	2
12	96001-06032-KAT	BOLT, M6 X 1.00 X 28 FHCS ZN	1
13	M150-1003012	BOLT, M6 X 1.00 X 95 FHCS ZN	4
14	M150-1003007	BOLT, M6 X 1.00 X 100 FHCS ZN	1
15	M150-1003008	BOLT, M6 X 1.00 X 110 FHCS ZN	2
16	M150-1003034	BOLT, M6 X 1.00 X 35 FHCS ZN	1
17	M150-1003106	BOLT, M6 X 1.00 X 20 FHCS ZN	2
18	92101-05012-OH	BOLT, M6 X 1.00 X 12 FHCS ZN	2



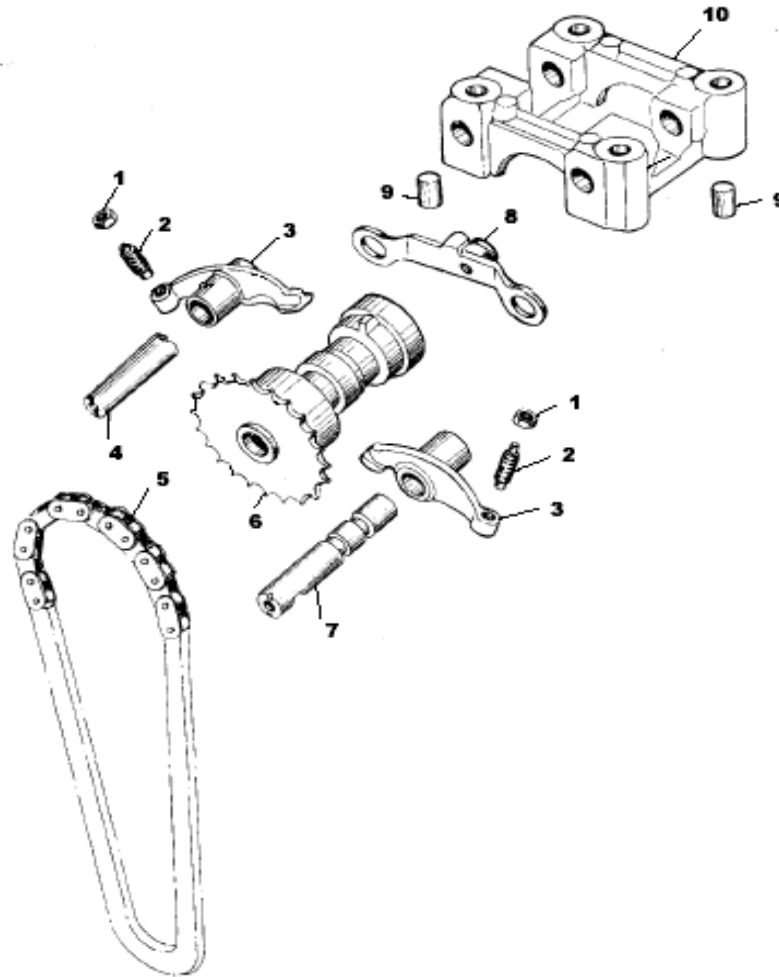
Section 7 - Piston, Crank and Connecting Rod

Ref No	Part No	Description	QTY
1	M150-1004100-N	ASM, CRANK - CON ROD - 150CC	1
2	M150-1004007	NUT, M12 X 1.25 LOCKING FLANGE ZN	1
3	M150-1004009	LEFT HAND SPANNER NUT	1
4	M150-1004013	WASHER, M22 X 31 X 2.5 FLAT	1
5	M150-1004012	GEAR, KICK DRIVE - 150CC	1
6	M150-1040005	WASHER, M12 FLAT ZN	1
7	M150-1004008	NUT, M12 X 1.25 LOCKING FLANGE ZN	1
8	M150-1004002	KEY, WOODRUFF M4 X 14	1
9	M150-1004003	CLIP, PISTON RETAINING - 150CC	2
10	M150-1004006	PIN, PISTON WRIST - 150CC	1
11	M150-1004001	PISTON - 150CC	1
12	M150-1004200	KIT, PISTON RING - 150CC	1



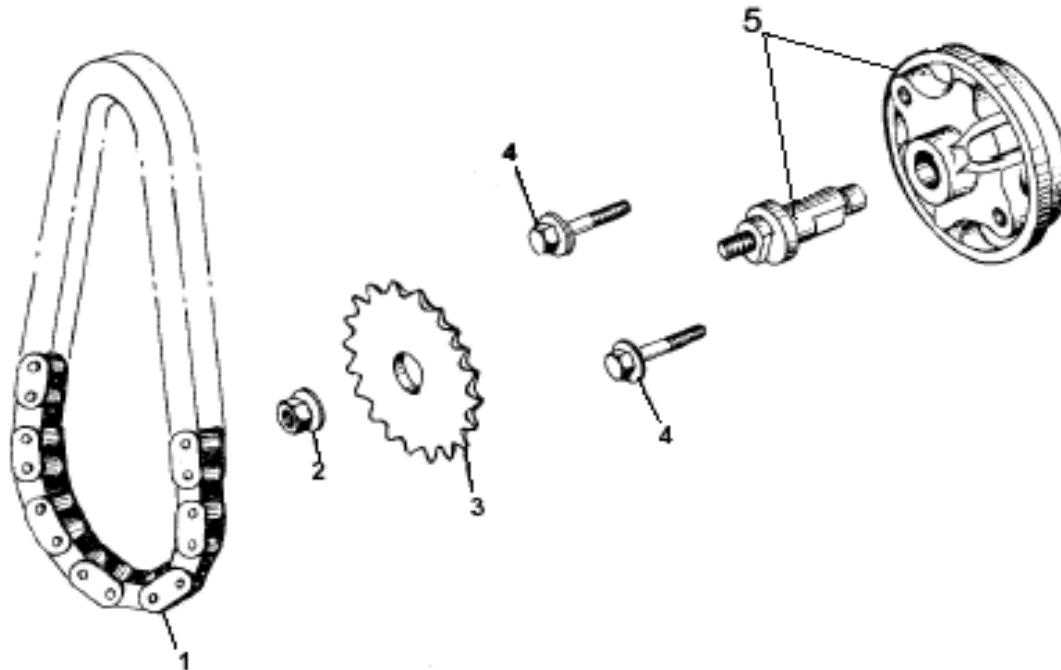
Section 8 - Camshaft Asm

Ref No	Part No	Description	QTY
1	M150-1005004	NUT, M5 X 0.5 HEX	2
2	M150-1005003	SCREW, TAPPET ADJ - 150CC	2
3	M150-1005002	ARM, VALVE ROCKER - 150CC	2
4	M150-1005005	SHAFT, EXHAUST ROCKER ARM - 150CC	1
5	M150-1005400	CHAIN, CAMSHAFT - 150CC	1
6	M150-1005300-N	CAMSHAFT - 150CC	1
7	M150-1005200	SHAFT, INTAKE ROCKER ARM - 150CC	1
8	M150-1005100	PLATE, STOP - 150CC	1
9	PIN, M10 X 16 DOWEL	2	
10	M150-1005001-N	CAP, CAMSHAFT BRG - 150CC	1



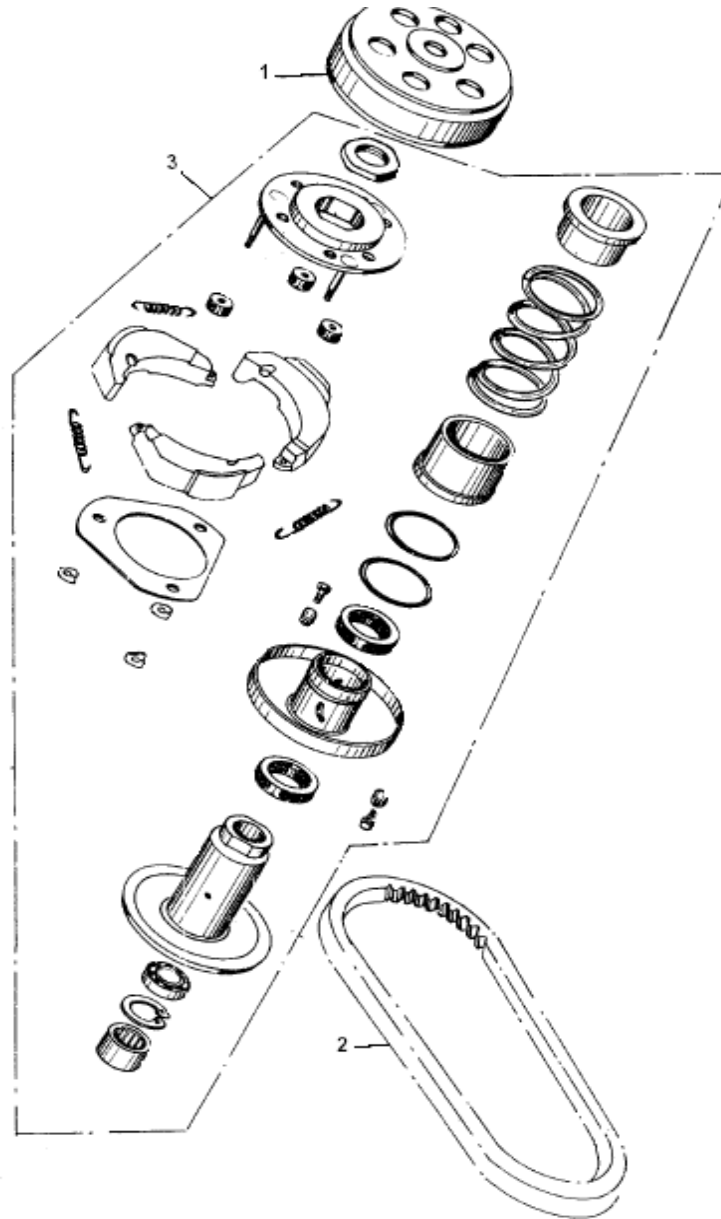
Section 9 - Oil Pump Asm

Ref No	Part No	Description	QTY
1	M150-1021000	CHAIN, OIL PUMP - 150CC	1
2	M150-1020002	NUT, M6 X 1.00 HEX FLANGE	1
3	M150-1020001	SPROCKET, OIL PUMP - 150CC	1
4	M150-1003075	BOLT, M6 X 1.00 X 30 FHCS ZN	2
5	M150-1022000	ASM, OIL PUMP - 150CC	1



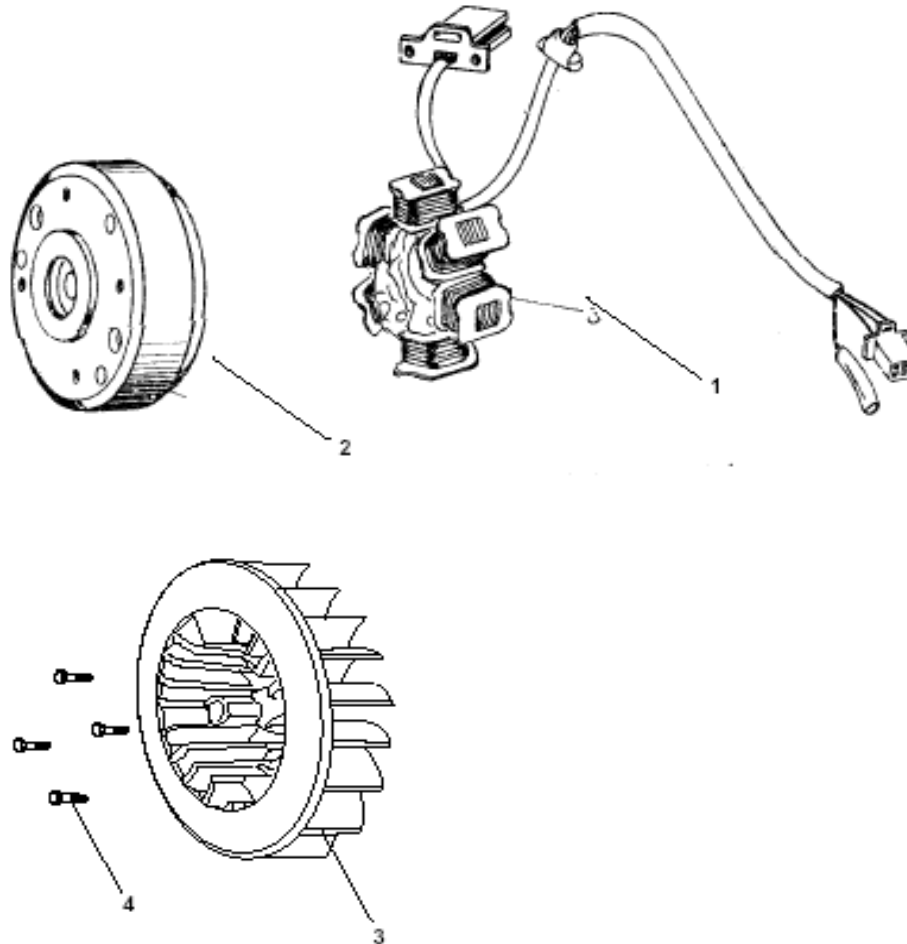
Section 10 - Driven Pulley and Clutch

Ref No	Part No	Description	QTY
1	M150-1032000	ASM, OUTER CLUTCH - 150CC	1
2	M150-1033000	BELT, CVT - 150CC	1
3	M150-1031000	ASM, DRIVEN PULLEY - 150CC	1
4	M150-1004007	NUT, M12X1.25 LF THIN	1



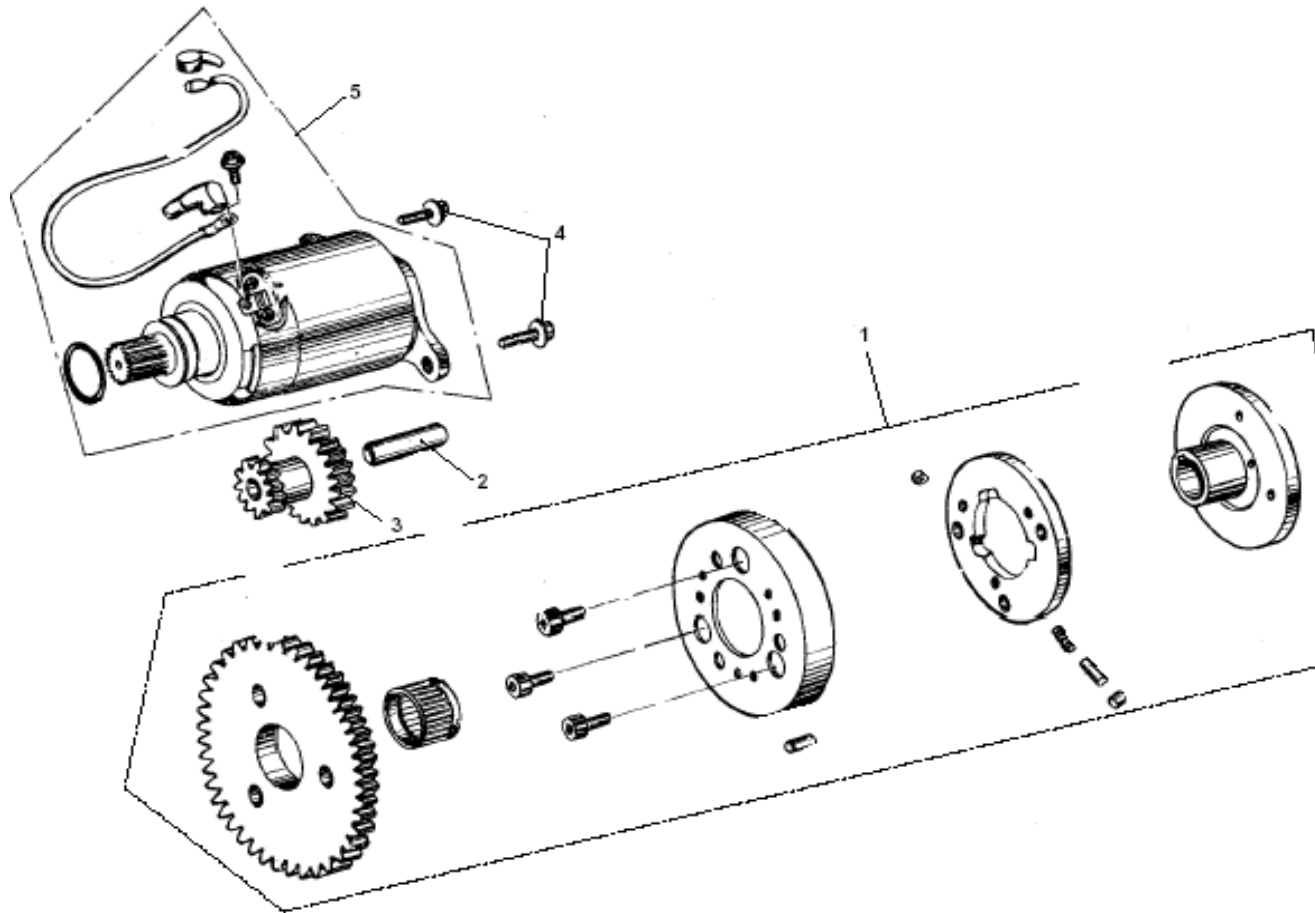
Section 11 - Engine Electrical

Ref No	Part No	Description	QTY
1	M150-1051200	MAGNETO - 150CC	1
2	M150-1051100	FLYWHEEL - 150CC	1
3	M150-1051100-3	FAN, COOLING - 150CC	1
4	M150-1051100-4	BOLT, M6 X 1.00 X 15 FHCS ZN	4



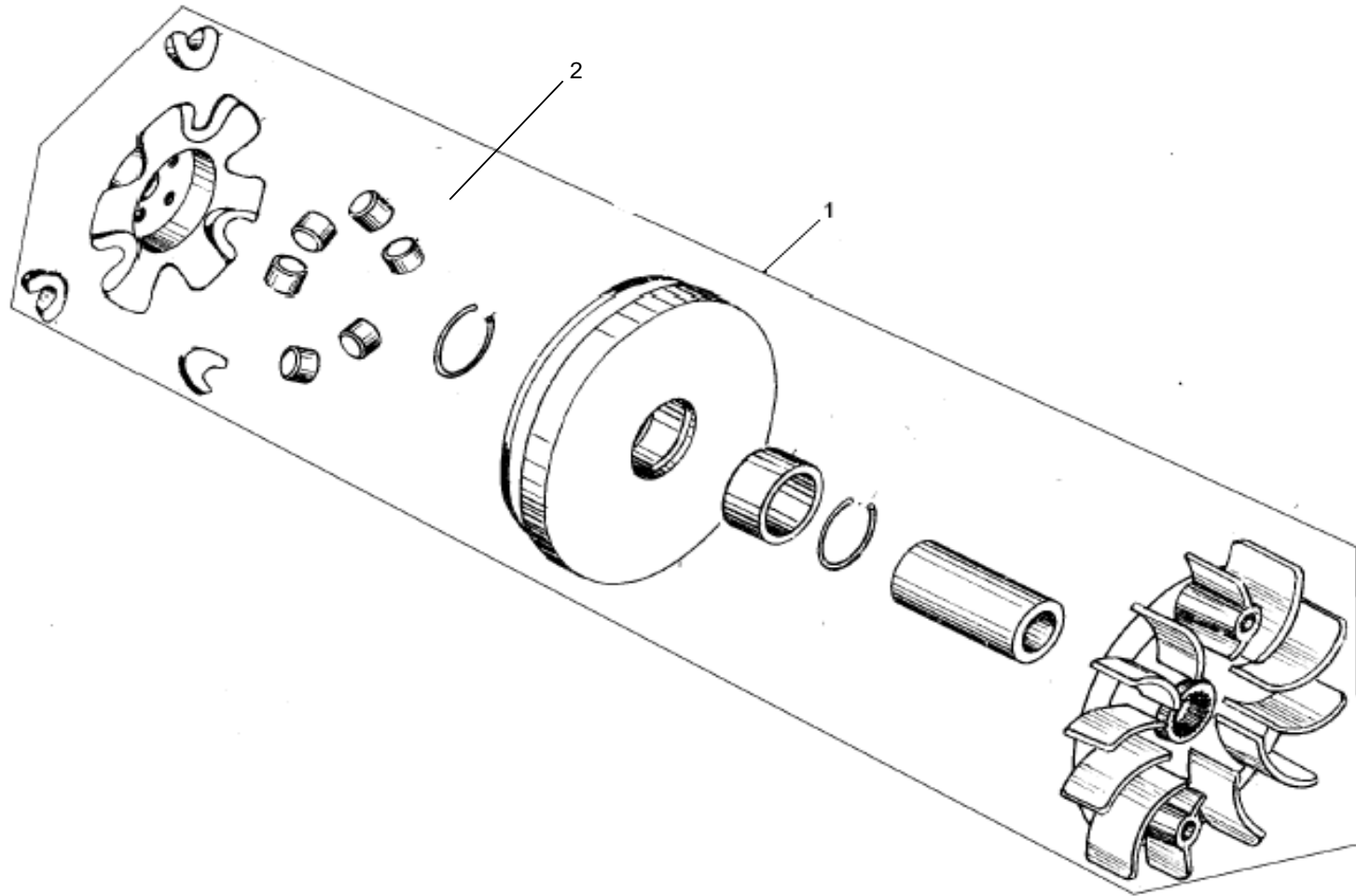
Section 12 - Electric Start

Ref No	Part No	Description	QTY
1	M150-1060001	ASM, STARTER CLUTCH - 150CC	1
2	M150-1060002	SHAFT, STARTER RED - 150CC	1
3	M150-1060003	GEAR, STARTER RED - 150CC	1
4	M150-1060005	BOLT, M6 X 1.00 X 16 FHCS ZN	2
5	M150-1064000	ASM, STARTER MOTOR - 150CC	1



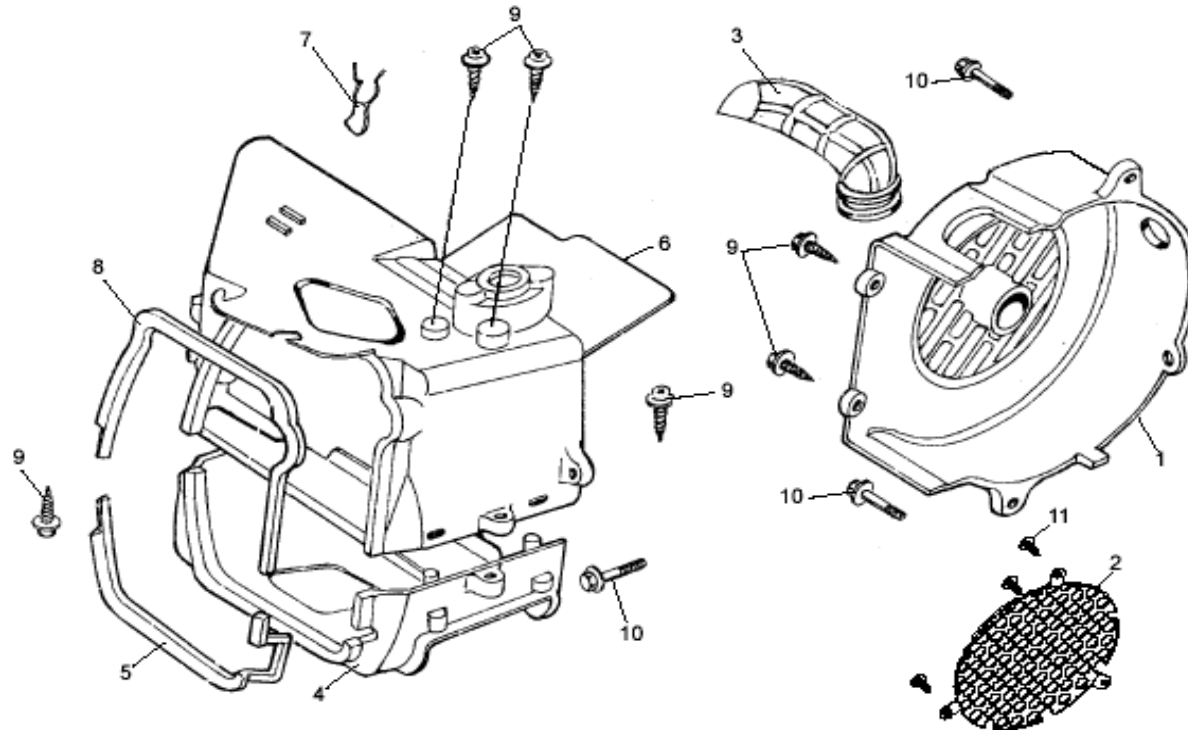
Section 13 - Driver Pulley

Ref No	Part No	Description	QTY
1	M150-1071000	ASM, DRIVER PULLEY - 150CC	1
2	M150-1071002	WEIGHT, DRIVER PULLEY - 150CC	6



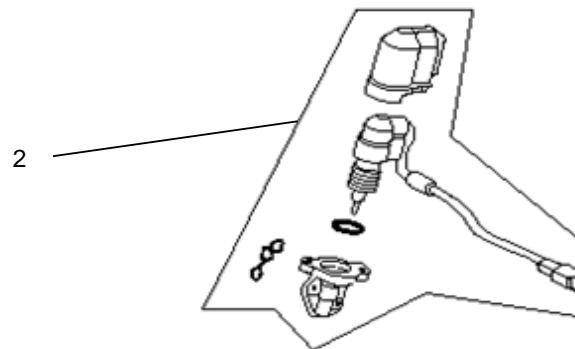
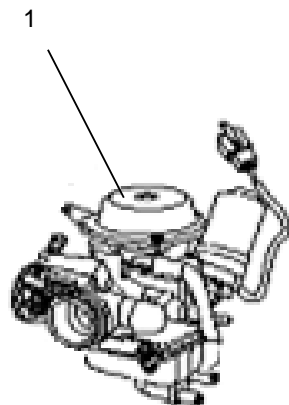
Section 14 - Fan Cover and Shroud Asm

Ref No	Part No	Description	QTY
1	M150-1009410	COVER, FAN COMP - 150CC	1
2	8.020.179	COVER, DUST - 150CC	1
3	M150-1009401	DUCT, FAN SHROUD COOLING - 150CC	1
4	M150-1009301	SHROUD, LOWER - 150CC	1
5	M150-1009302	SEAL, LOWER SHROUD - 150CC	1
6	M150-1009110	SHROUD, UPPER - 150CC	1
7	M150-1009103	CLIP, CORD - 150CC	1
8	M150-1009102	SEAL, UPPER SHROUD - 150CC	1
9	M150-1009402	SCREW TAPPING	6
10	M150-1003075	BOLT FLANGE SH 6 X 18	3
11	9.804.003	SCREW, 3.5 X 13 STFH	3



Section 15 - Carburetor

Ref No	Part No	Description	QTY	Ref No	Part No	Description	QTY
1	6.000.024	ASM, CARBURETOR 150CC	1				
2	16046-KAT-913	ASM, AUTOCHOKE	1				

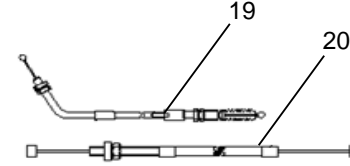


Section 16 - Frame Group

WARNING

ALWAYS WEAR SEATBELT
 Seatbelt must be properly fastened and adjusted for each occupant prior to operating the vehicle. See Owner's Manual.

11330-I



WARNING

WEAR A HELMET
 Always wear a D.O.T.-approved motorcycle helmet when operating this vehicle.

11329

WARNING

NO RIDING
 All occupants must be inside the vehicle and wearing the proper restraints and safety gear. Absolutely no riding on the outside of the vehicle or on the cargo rack.

11330-K

CAUTION

DO NOT SHIFT WHILE IN MOTION

D To change gears, stop the vehicle.
N Shift with the engine at idle.
R Shifting gears with the engine speed above idle or with the kart in motion may cause transmission damage.

11330-Q

WARNING

13 YEARS AND UP

This vehicle is not to be operated by anyone under 13 years of age. A speed reduction kit is available for this vehicle.

11330-T

WARNING

OBSERVE THE FOLLOWING INSTRUCTIONS
 Failure to understand and follow Warnings and Instructions for the safe use and maintenance of this product may result in **Death or Injury!** This information is contained in the Warning Labels, Owner's Manual & Supplements, Safety Video, and Engine Manual supplied with this product. Make sure that you understand and follow all Warnings and Instructions in this material.

- Read owner/operator manuals carefully.
- Adult supervision required.
- Always wear a D.O.T.-approved motorcycle helmet, eye protection, and protective clothing.
- Do NOT operate the vehicle without the brush bars securely in place.
- Keep all covers and shields properly installed.
- Throttle, Stop Switch, and Brake Controls must work properly and freely before starting the engine.
- Operator must be seated, safety belt must be fastened, and brake applied before operating the vehicle.
- Not legal for street use. Use only on flat, level, off-road terrain.
- Not designed for racing or commercial use.
- Never operate at speeds too fast for your skills or the conditions.
- Never attempt jumps or other stunts.
- Never ride after consuming alcohol, drugs, or other intoxicants.

If you did not receive any of the material listed above, please call 1-800-643-7332 and request to have them sent to you at no charge.

11330-J

WARNING

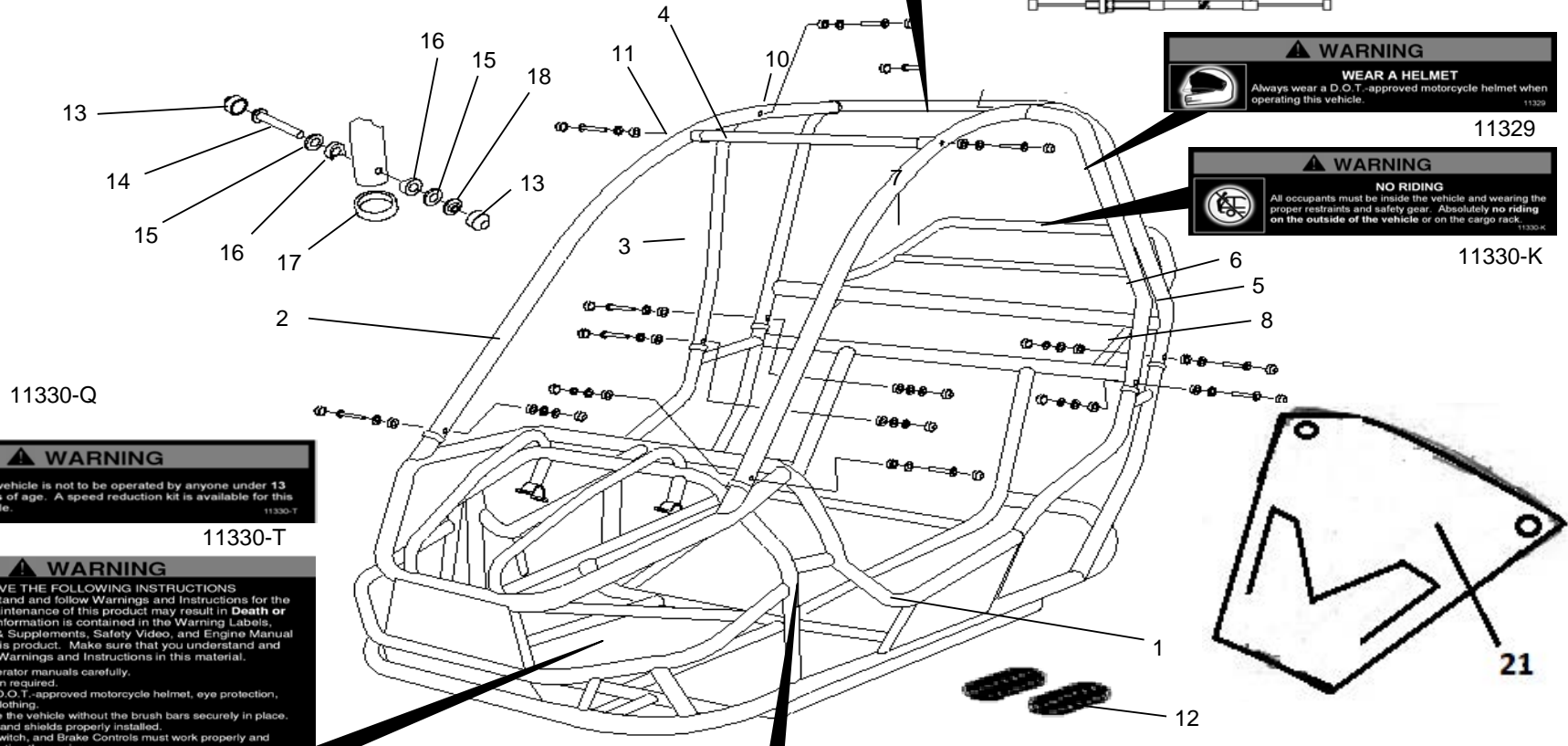
ENTANGLEMENT HAZARD
 Shoulder length and longer hair or loose clothing can get caught in moving parts behind or below the seat. Restrained hair at or above shoulder level. Restrained hair must not interfere with the proper fit of the helmet. Securely restrain anything loose that reaches behind or below the seat.

11330-B

WARNING

CHECK TIRE PRESSURES
 Improper inflation of tires can cause loss of control, resulting in serious injury or death. Refer to Owner's Manual for proper operating pressure.

11330-D

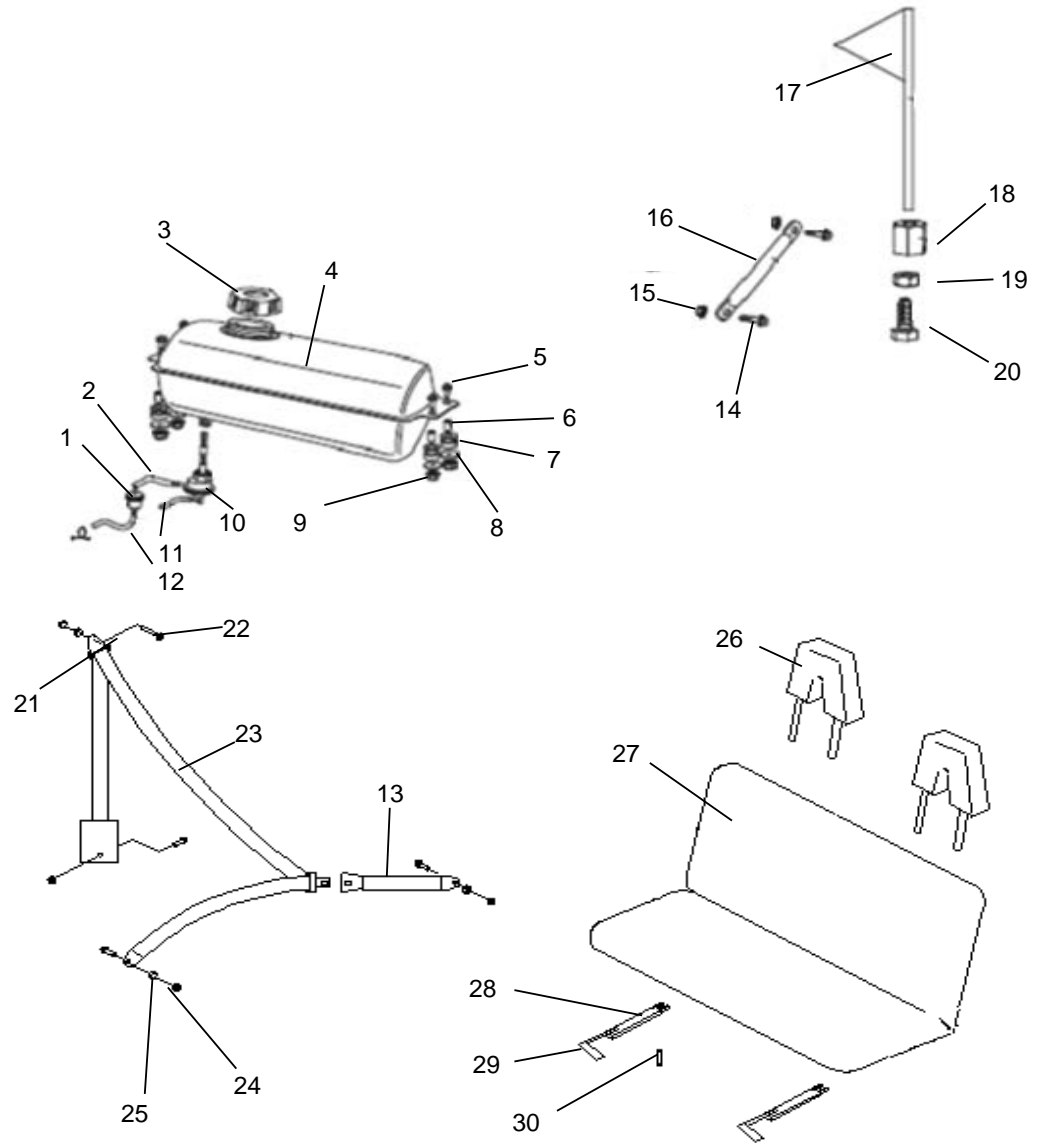


Section 17 - Frame Group

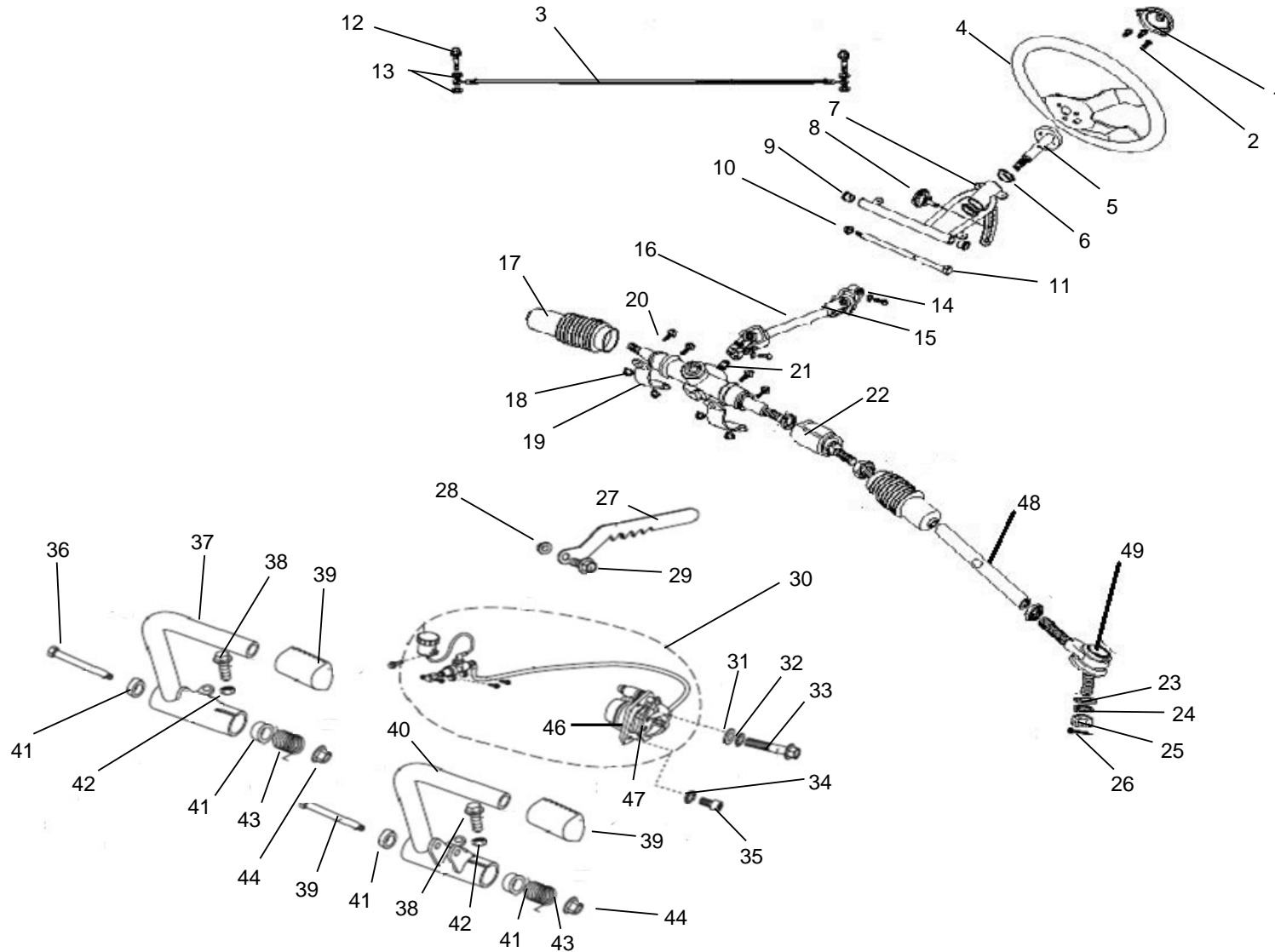
Ref No	Part No	Description	QTY	Ref No	Part No	Description	QTY
1	15000-47	FRAME, 6151 - SILVER	1				
2	15001-48	BAR, A PILLAR - 6152 - CHAR	2				
3	15002-48	BAR, B PILLAR RH - 6152 - CHAR	1				
4	15003-48	BAR, OH CROSS - 6152 - CHAR	1				
5	15004-47	BAR, C PILLAR - 6152 - SILVER	1				
6	15005-48	BAR, B PILLAR LH - 6152 - CHAR	1				
7	15006-47	SPOILER, REAR - 6152 - SILVER	1				
8	15007-47	ARM, SPOILER SPPT - 6152 - SILVER	2				
9	14091	PAD, FOAM B PILLAR W/WRAP (NOT SHOWN)	2				
10	14083	ENDCAP, BAR - 1.25 BLACK PLASTIC	6				
11	14084	ENDCAP, BAR - 1.00 BLACK PLASTIC	2				
12	14092	PAD, RUBER FOOT - 7150	4				
13	14946	COVER, BOLT CAP - 1.25	20				
14	14086	BOLT, M8 X 1.25 X 55 FHCS ZN	14				
15	14944	WASHER, BAR CONNECTION	20				
16	14087	WASHER, 8M CONCAVE CLAMP DAC	20				
17	14942	SEAL, BAR CONNECTION - 1.25	6				
18	14088	NUT, M8 X 1.25 LOCKING FLANGE DAC	6				
19	14456	CABLE, D/N/R SHIFT - 150CC	2				
20	6.000.232	CABLE, THROTTLE - 6150/7150	1				
21	19-0201-00-color	Front Hood - Red (-RED) or Blue (-BL)	1				

Section 18 - Frame Group (cont'd)

Ref No	Part No	Description	QTY
1	6.000.056	FILTER, FUEL	1
2	7.020.030	LINE, FUEL #1	1
3	6.000.145	CAP, FUEL - 6150/7150	1
4	99-1300	Fuel Tank Kit	1
5	9.106.065	BOLT, M8 X 1.25 X 55 FHCS DAC	4
6	8.010.035	SPACER, FUEL TANK	4
7	7.020.011	BUSHING, FUEL TANK MOUNT	4
8	9.300.003	WASHER, M8 FLAT	8
9	9.220.006	NUT, M8 X 1.25 LOCKING FLANGE	4
10	6.000.046	ASM, AUTO FUEL COCK	1
11	7.020.031	LINE, VACUUM #1	1
12	7.020.029	LINE, FUEL #2	1
13	14787	SAFTEY BELT BUCKLE	2
14	9.108.020	BOLT, M8 X 1.25 X 20 FHCS DAC	4
15	9.220.008	NUT, M8 X 1.25 LOCKING FLANGE	4
16	15007	ARM, SPOILER SPPT - 6152	2
17	N/A	FLAG, SAFETY	1
18	14466	NUT, DECORATIVE PLASTIC FLAG MNT	1
19	14492	NUT, M12 X 1.25	1
20	14465	BOLT, M12 X 1.25 X 30 FLAG MOUNTING	1
21	14289	WASHER, M12 STEPPED SEAT BELT	2
22	9.700.001	SAFETY BELT BOLT	8
23	14786	SEATBELT, RETRACTABLE W/SLEEVE	2
24	9.700.003	SAFETY BELT NUT	8
25	9.700.005	SAFETY BELT LOCK WASHER	2
26	15008	HEADREST, BLK - 6151	2
27	15009L or 15009R	Left Seat (driver) or Right Seat (passenger)	1
28	6.000.057	SLIDE, SEAT (PAIR)	1
29	6.000.057-C	COVER, SEAT SLIDE HANDLE	2
30	9.108.040	BOLT, M8 X 1.25 X 40 HHCS DAC	2



Section 19 - Steering and Brakes



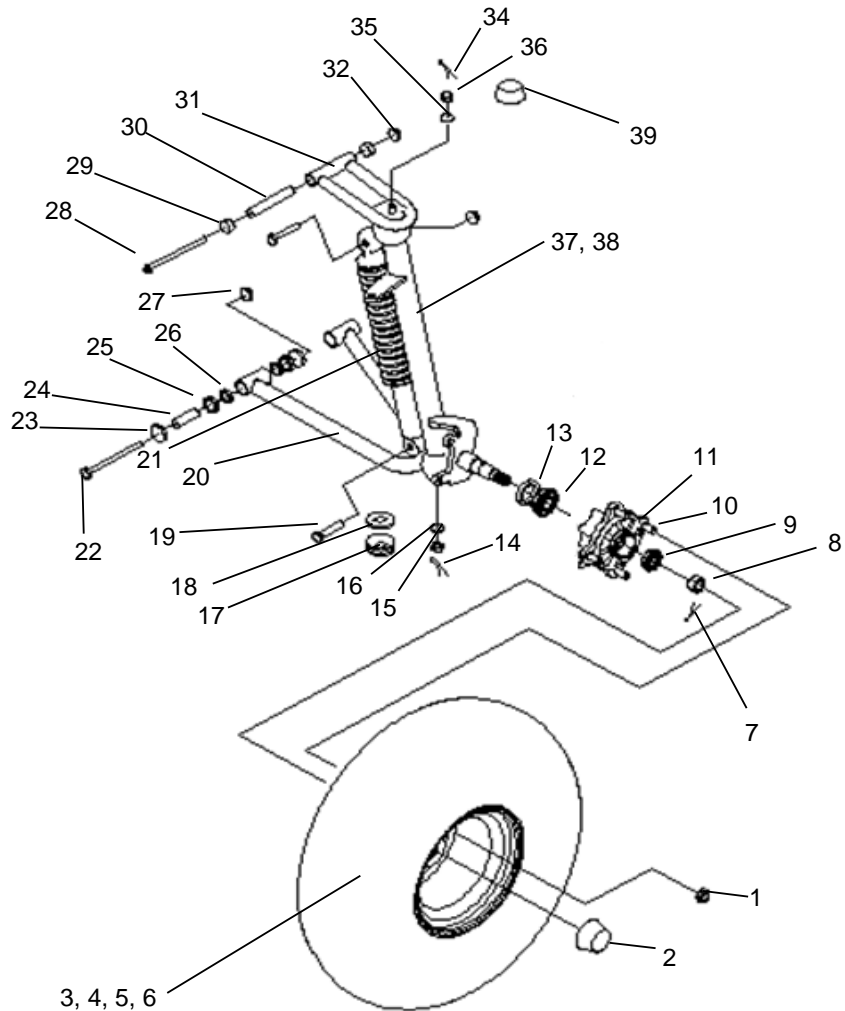
Section 20 - Steering and Brakes

Ref No	Part No	Description	QTY	Ref No	Part No	Description	QTY
1	14100	COVER, STEERING WHEEL - 6150/7150	1	36	15010	BOLT, M12 X 84 SHOULDER DAC	2
2	14237	BOLT, M6 X 1.00 X 12 HHCS DAC	3	37	15011-47	PEDAL, THROTTLE - 6151 - SILVER	1
3	14525	HOSE, BRAKE - 6150	1	38	14430	BOLT, M6 X 1.00 X 25 FHCS DAC	2
4	14102	STEERING WHEEL - 6150/7150	1	39	14527	CAP, BRAKE PEDAL - 6150	2
5	14103	SHAFT, STEERING - 7150	1	40	14387-47	PEDAL, BRAKE - 6151 - SILVER	1
6	14104	BUSHING, FLANGED SLEEVE 20 X 28 X 24.1	2	41	14119	BUSHING, SLEEVE 12 X 21 X 12	4
7	14111	BRACKET, TILT STEERING - RED - 7150	1	42	14236	NUT, M6 X 1.00 NYLOC DAC	2
8	14125	KNOB, STEERING TILT - 7150	1	43	14120	SPRING, BRAKE PEDAL - 7150	2
9	14126	BUSHING, FLANGED SLEEVE 12 X 16 X 12	2	44	14088	NUT, M8 X 1.25 LOCKING FLANGE DAC	2
10	14088	NUT, M8 X 1.25 LOCKING FLANGE DAC	1	45	14412	BOOT, STEERING SHAFT BLACK RUBBER - 7150	2
11	14444	BOLT, M8 X 1.25 X 240 HHCS ZN	1	46	14524	KIT, BRAKE PAD REAR	1
12	9.700.004	BOLT, M10 X 24 BRAKE BANJO	2	47	15076	ASM, BRAKE CALIPER - REAR	1
13	13-1422-00	WASHER, BRASS BRAKE LINE	4	48	8.010.157-GL	Tie Rod (6" long)	
14	14495	WASHER, M8 SPLIT LOCK DAC	2	49	6.000.062	Rod End	
15	14437	BOLT, M8 X 1.25 X 25 HHCS ZN	2				
16	14107	SHAFT, STEERING U-JOINT - 7150	1				
17	7.020.002	BOOT, R&P BLACK RUBBER - 7150	2				
18	14088	NUT, M8 X 1.25 LOCKING FLANGE DAC	8				
19	14112	BRACKET, RACK AND PINION MNT	2				
20	14436	BOLT, M8 X 1.25 X 25 FHCS DAC	4				
21	4.000.008-250	ASM, RACK AND PINION - 7150	1				
22	4.000.008	ASM, TIE ROD END - 7150	2				
23	14240	WASHER, M10 FLAT ZN	2				
24	14241	WASHER, M10 SPLIT LOCK ZN	2				
25	14242	NUT, M10 X 1.25 CASTLE	2				
26	14110	PIN, M2 X 15 COTTER	2				
27	14528	LEVER, PARKING BRAKE - 6150	1				
28	14088	NUT, M8 X 1.25 LOCKING FLANGE DAC	1				
29	14437	BOLT, M8 X 1.25 X 25 HHCS DAC	1				
30	15012	ASM, HYD BRAKE - 6152	1				
31	14293	WASHER, M8 FLAT DAC	1				
32	14495	WASHER, M8 SPLIT LOCK DAC	1				
33	14441	BOLT, M8 X 1.25 X 100 FHCS DAC	1				
34	14748	WASHER, M8 SPLIT LOCK DAC	1				
35	9.908.014	BOLT, M8 X 1.25 X 14 SHCS DAC	1				

Section 21 - Front Suspension

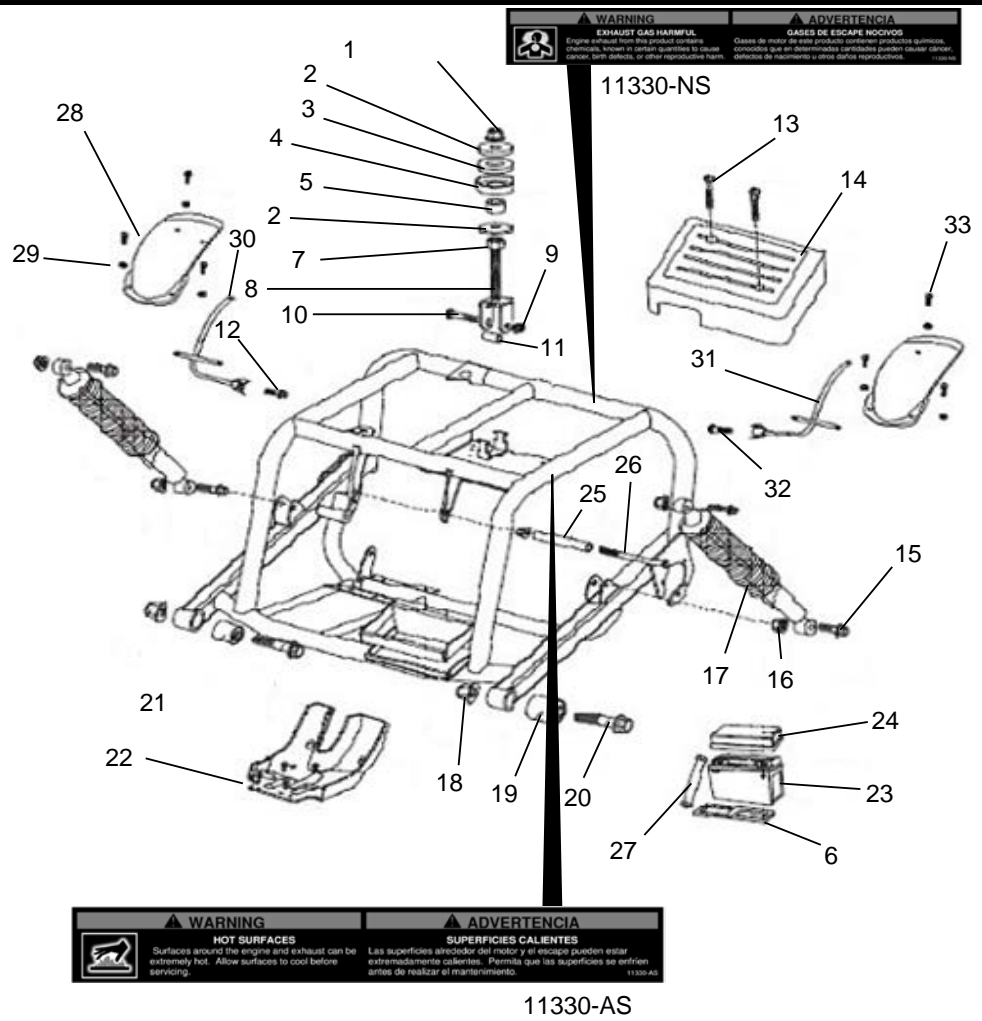
Ref No	Part No	Description	QTY
1	9.220.010	NUT, M10 X 1.25 WF DAC	8
2	7.020.039	CAP, HUB NOSE - BLACK RUBBER	2
3	14397	ASM, TIRE/WH FAR EAST RH - 17X7-8	1
4	14396	ASM, TIRE/WH FAR EAST LH - 17X7-8	1
5	14751	TIRE, FAR EAST 17X7-8	2
6	14755	WHEEL, 8 X 5 4-110MM, SILVER	2
7	9.500.220	PIN, M2 X 20 COTTER	2
8	9.800.014	NUT, M14 X 1.25 CASTLE	2
9	9.030.010	BEARING, OUTER - 6202-Z	2
10	9.710.031	STUD, M10 X 1.25 X 31 WHEEL	8
11	8.010.085	HUB, FRONT WHEEL - GOLD HUB	2
12	9.030.002	BEARING, INNER - 6204-Z	2
13	9.040.002	SEAL, M47 X 25 X 7 DUST	2
14	14490	PIN, M1.8 X 20 COTTER	4
15	9.800.010	NUT, M10 X 1.25 CASTLE	2
16	14241	WASHER, M10 SPLIT LOCK ZN	2
17	7.020.025	SEAL, BALL JOINT - 6150/7150	4
18	8.020.053	SPACER, BALL JOINT HEAD - 6150/7150	4
19	9.110.040	BOLT, M10 X 1.25 X 40 FHCS ZN	4
20	14157-47	A ARM, LOWER - SILVER W/ ZERK	2
21	14153	SHOCK, 325MM FRONT - CHR/M/YEL - 7150	2
22	9.110.080	BOLT, M10 X 1.25 X 80 FHCS ZN	4
23	8.020.034	CAP, DUST - LWR SUSP ARM - 7150	8
24	8.010.014	COLLAR, A ARM LOWER - 7150	4
25	7.010.002	BUSHING, FLANGED SLEEVE 15 X 21 X 16	8
26	9.040.001	O-RING, M21.2 X 2.65	8
27	9.220.010	NUT, M10 X 1.25 LOCKING FLANGE ZN	8
28	9.108.105	BOLT, M8 X 1.25 X 105 FHCS ZN	2
29	7.010.003	BUSHING, FLANGED SLEEVE 12 X 16 X 12	4
30	8.010.015	COLLAR, A ARM UPPER - 7150	2
31	14136-47	A ARM, UPPER - SILVER W/ZERK	2
32	9.220.008	NUT, M8 X 1.25 LOCKING FLANGE ZN	2
33	9.220.009	GREASE ZERK (NOT SHOWN)	6
34	14490	PIN, M1.8 X 20 COTTER	4
35	14245	WASHER, M12 SPLIT LOCK ZN	2
36	9.800.012	NUT, M12 X 1.25 CASTLE DAC	8
37	2.000.027-GTS	ASM, STRUT/SPINDLE LH - CHAR - 6152	1
38	2.000.028-GTS	ASM, STRUT/SPINDLE RH - CHAR - 6152	1
39	14834	CAP, NUT COVER RUBBER - BLK	2
40	14243	NUT, M10 X 1.25 LOCKING FLANGE DAC	4
41	15206	FENDER, FRONT MOUNT - 6152	2

Ref No	Part No	Description	QTY
42	6.000.102-S	MOUNT, FRONT FENDER RH - 6152	1
43	6.000.067-S	MOUNT, FRONT FENDER LH - 6152	1



Section 22 - Rear Swingarm Asm

Ref No	Part No	Description	QTY
1	9.220.012	NUT, M12 X 1.25 LOCKING FLANGE DAC	1
2	8.010.042	WASHER, M12 FLAT DAC	2
3	7.020.001	BUSHING, ENGINE ADJ ISOLATOR - 150CC	1
4	8.020.045	SPACER, ENGINE ADJ CUP - 150CC	1
5	8.010.041	SPACER, ENGINE ADJ ALIGNMENT - 150CC	1
6	9.300.012	GASKET, BATTERY CAP - 150CC	1
7	9.200.012	NUT, M12 X 1.25 HEX DAC	1
8	6.000.026	LINK, CHAIN TENSIONING - 150CC	1
9	9.220.010	NUT, M10 X 1.25 LOCKING FLANGE DAC	1
10	9.110.045	BOLT, M10 X 1.25 X 45 FHCS DAC	1
11	8.010.076	SPACER, ENGINE MOUNTING LINK - 150CC	1
12	14405-47	ASM, REAR SWINGARM - SILVER - 6150	1
13	9.600.655	BOLT, M6 X 1.00 X 60 FHCS DAC	2
14	7.010.029	COVER, ELECTRICAL - 6150/7150	1
15	9.110.040	BOLT, M10 X 1.25 X 40 FHCS DAC	4
16	9.220.010	NUT, M10 X 1.25 LOCKING FLANGE DAC	5
17	14535	SHOCK, REAR - 6150	2
18	9.220.012	NUT, M12 X 1.25 LOCKING FLANGE DAC	2
19	7.020.008	BUSHING, SWINGARM ISOLATOR - 150CC	2
20	9.112.060	BOLT, M12 X 1.25 X 60 FHCS ZN	2
21	9.106.016	BOLT, M6 X 1 X 16 FHCS DAC	4
22	14185	GUARD, LOWER CHAIN - 150CC	1
23	6.000.055	BATTERY - GTX9-BS	1
24	7.010.028	COVER, BATTERY - 150CC	1
25	8.010.025	SPANNER, ENGINE MOUNT	1
26	9.110.195	BOLT, M10 X 1.25 X 195 HHCS DAC	1
27	7.020.023	STRAP, BATTERY HOLD DOWN - 150CC	1
28	7.010.059-GT	FENDER, REAR - GBLACK 10.5IN (OPTIONAL)	2
29	9.220.006	NUT, M6 X 1.00 NYLOC FLANGE DAC	6
30	6.000.068	BRACKET, RH REAR FENDER (OPTIONAL)	1
31	6.000.101	BRACKET, LH REAR FENDER (OPTIONAL)	1
32	9.100.045	BOLT, M8 X 1.25 X 45 FHCS DAC	2
33	14820	BOLT, M6 X 1.00 X 14 FHCS SS	6



WARNING
EXHAUST GAS HARMFUL
 Engine exhaust from this product contains chemicals known to certain agencies to cause cancer, birth defects, or other reproductive harm.

ADVERTENCIA
GASES DE ESCAPE NOCIVOS
 Gases de motor de este producto contienen productos químicos conocidos que en determinadas circunstancias pueden causar cáncer, defectos de nacimiento u otros daños reproductivos.

11330-NS

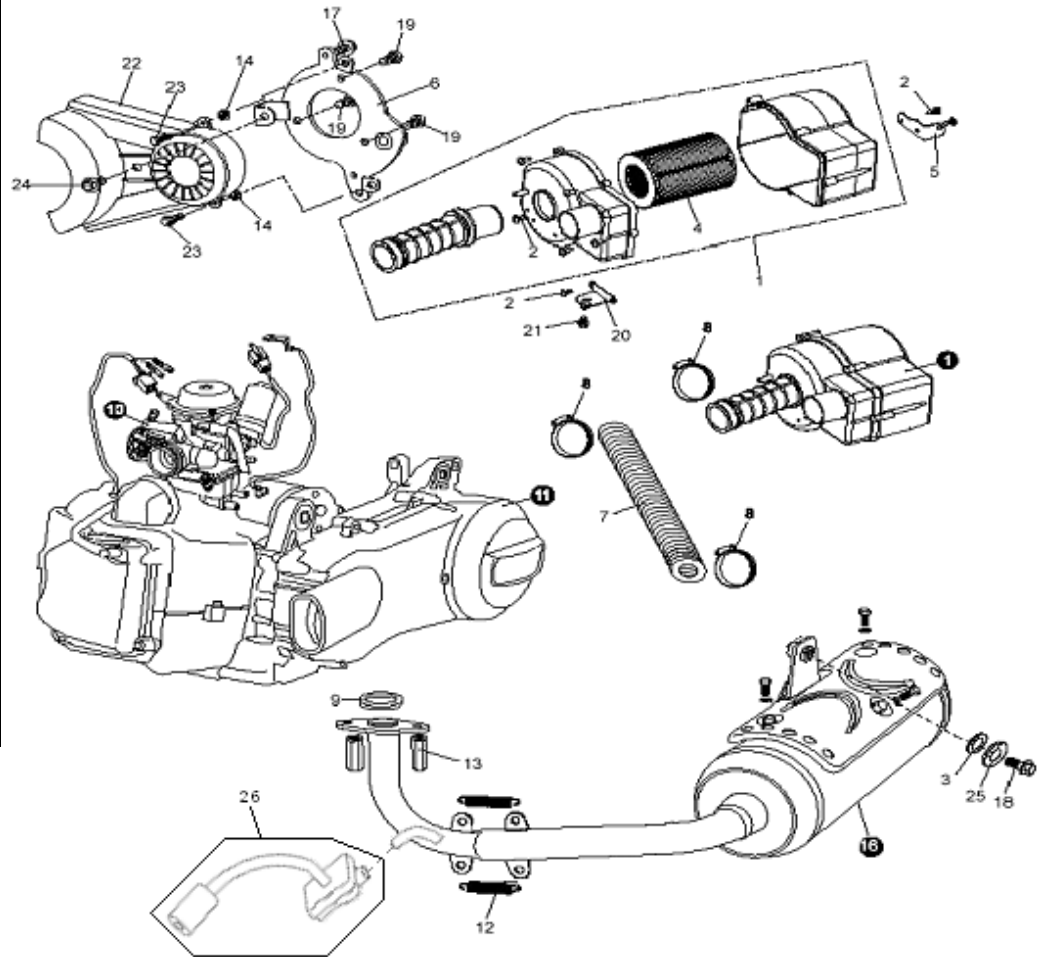
WARNING
HOT SURFACES
 Surfaces around the engine and exhaust can be extremely hot. Allow surfaces to cool before servicing.

ADVERTENCIA
SUPERFICIES CALIENTES
 Las superficies alrededor del motor y el escape pueden estar extremadamente calientes. Permita que las superficies se enfríen antes de realizar el mantenimiento.

11330-AS

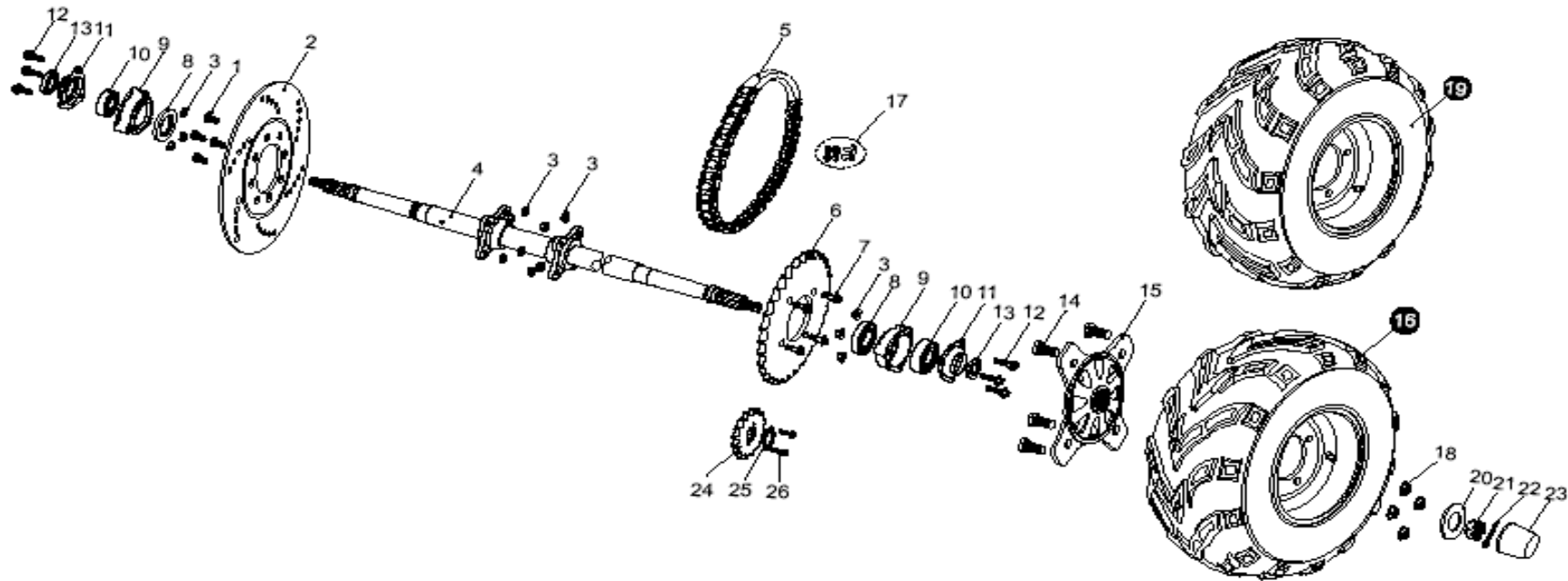
Section 23 - Engine/Muffler/Air Cleaner

Ref No	Part No	Description	QTY
1	4.000.055	ASM, AIR CLEANER - 150CC	1
2	9.805.003	SCREW, M5 X 16 PHSM ZN	9
3	9.400.008	WASHER, M8 SPLIT LOCK ZN	1
4	6.000.151	FILTER, AIR - 150CC	1
5	14201	BRACKET, #2 AIR CLEANER MNT - 6150/7150	1
6	14480	BRACKET, REAR ENG MOUNT - 150CC	1
7	N/A	HOSE, AIR INTAKE - 150CC	1
8	14481	CLAMP, HOSE 45MM	3
9	M150-3050354	GASKET, EX PIPE - 150CC	1
10	6.000.024	ASM, CARBURETOR 150CC	1
11	2.000.009-N	ASM, ENGINE - 6150	1
12	N/A	SPRING, EXHAUST PIPE - 150CC	2
13	9.040.027	NUT (HEX) CAP M6	2
14	9.220.006	NUT, M6 X 1.00 NYLOC FLANGE ZN	2
16	6.000.074	ASM, MUFFLER W/ AIR INJ MOUNT-6150/7150	1
17	14433	BOLT, M8 X 1.25 X 15 FHCS ZN	3
18	9.108.040	BOLT, M8 X 1.25 X 40 FHCS ZN	1
19	9.108.020	BOLT, M8 X 1.25 X 20 FHCS ZN	3
20	14200	BRACKET, #1 AIR CLEANER MNT - 6150/7150	1
21	14445	BOLT, M10 X 1.25 X 10 FHCS ZN	1
22	14484	GUARD, CHAIN - 150CC	1
23	9.106.014	BOLT, M6 X 1.00 X 14 FHCS ZN	2
24	9.106.016	BOLT, M8 X 1.25 X 16 FHCS ZN	1
25	14497	WASHER, M8 X 27 X 2 FLAT ZN	1
26	14762	AIR INJECTION ASM, MUFFLER - 6150/7150	1



Section 24 - Rear Axle

Ref No	Part No	Description	QTY	Ref No	Part No	Description	QTY
1	9.108.022	BOLT, M8 X 1.25 X 22 FHCS ZN	4	16	14398	ASM,TIRE/WHL LR FAR EAST-6150	1
2	8.010.053	DISC, 8.75 REAR BRAKE - 6150/7150	1	17	6.000.149	MASTER LINK, 50	1
3	9.220.008	NUT, M8 X 1.25 LOCKING FLANGE ZN	16	18	9.220.010	NUT, M10 X 1.25 WF DAC	8
4	14816	AXLE, TAPERED END - 200 SERIES	1	19	14399	ASM,TIRE/WHL RR FAR EAST-6150	1
5	9.070.002-N	CHAIN 50 X 52P INC ML	1	20	9.700.016	WASHER, 29.5 X 17MM X 3.0 ZN	2
6	008-32-530	SPROCKET, 50P 32T - 6150/7150	1	21	9.800.016	NUT, M16 X 2.00 CASTLE	2
7	9.108.025	BOLT, M8 X 1.25 X 25 FHCS ZN	4	22	9.500.430	PIN, M4 X 30 COTTER	2
8	9.040.006	SEAL, M50 X 34 X 7 DUST	2	23	7.020.039	CAP, HUB NOSE - BLACK RUBBER	2
9	8.030.033	HOUSING, AXLE BRG - 6150/7150	2	24	14217	SPROCKET, 50P 16T - 6150/7150	1
10	9.030.006	BEARING - 6206	2	25	14218	KEEPER, SPROCKET - 6150/7150	1
11	8.020.028	FLANGE, BEARING - 6150/7150	2	26	9.106.012	BOLT, M6 X 1.00 X 12 FHCS ZN	2
12	9.108.040	BOLT, M8 X 1.25 X 40 FHCS ZN	6	27	14752	TIRE, 18 X 9.5-8 FAR EAST	1
13	9.040.007	SEAL, M42 X 30 X 7 DUST	2	28	14756	WHEEL, 8 X 4.75 4-165MM, SILVER	2
14	9.710.031	STUD, M10 X 1.25 X 31 WHEEL	8				
15	15013	HUB, TAPERED 150CC - 4-165MM	2				



Section 25 - Electrical

Ref No	Part No	Description	QTY
1	6.000.158	SWITCH, KEYED IGNITION W/KEY - 6150/7150	1
2	N/A	COMES WITH REF. 1	
3	14741	HARNESS, MAIN WIRING - 6150	1
4	14743	REAR WIRING HARNESS - 6150	1
5	14231	FUSE, 15AMP - WAYTEK 46115	2
6	6.000.126	COIL, IGNITION W/CAP - 6150/7150	1
7	14221	SWITCH, ENGINE STOP - 6150/7150	2
8	6.000.204	HARNESS, BATTERY - 150CC	1
9	14425	BOLT, M5 X .75 X 25 PHMS ZN	1
10	14491	NUT, M5 X .75 NYLOC ZN	1
11	6.000.035	RELAY, STARTER - 6150/7150	1
12	6.000.267	CDI - 6150/7150	1
13	6.000.124-GTS	REGULATOR, VOLTAGE - 150CC	1
14	14428	SCREW, M6 X 1.00 X 20 PHMS ZN	2
15	14236	NUT, M6 X 1.00 NYLOC FLANGE ZN	7
16	19-0202-00	Headlight Assembly	2

