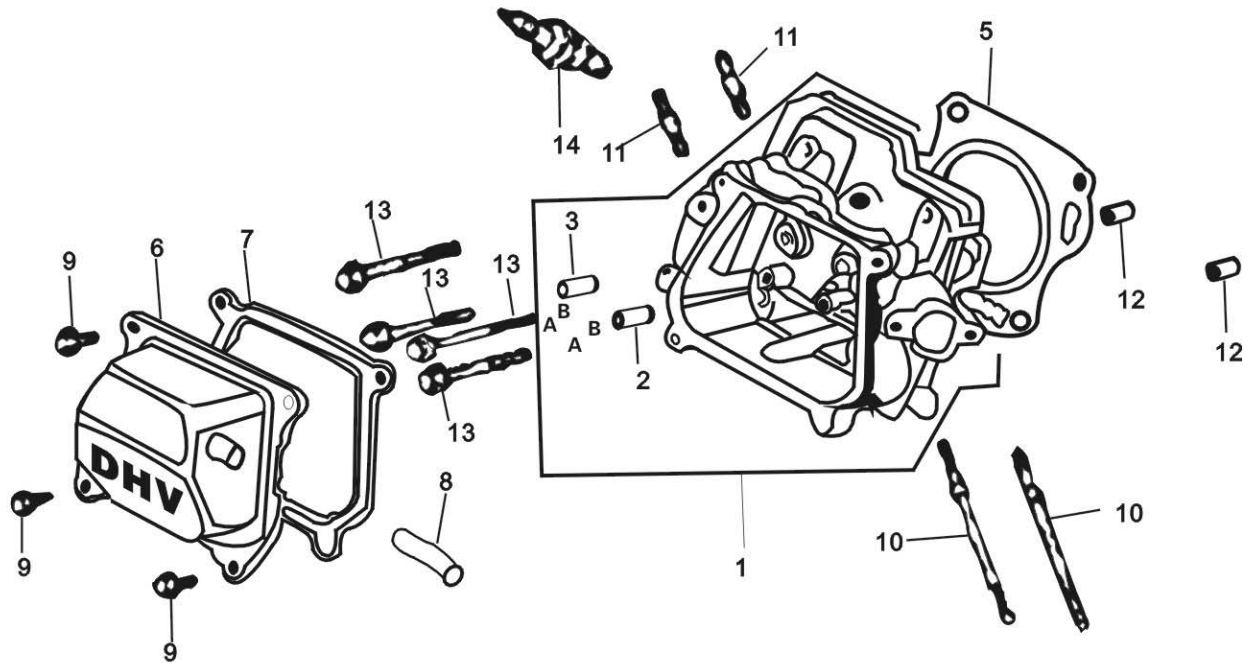


# Stingray Dominator

## Parts Manual

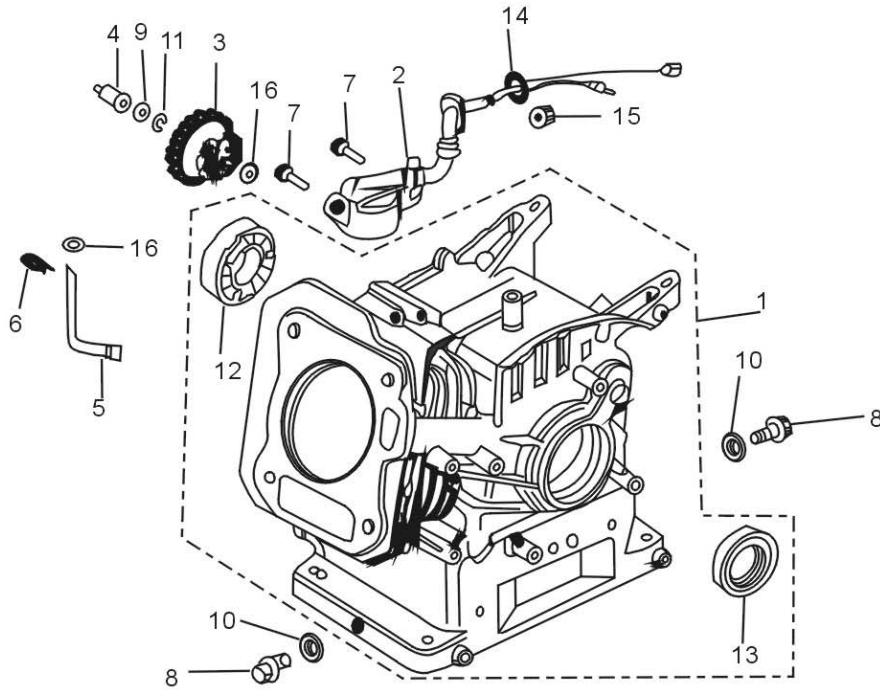


This Vehicle is designed for off-road use only



**CYLINDER HEAD SYSTEM ASSY**

REF NO.	PART NO.	DESCRIPTION	REGD NO.
1	JF168-A-01	CYLINDER HEAD COMP.	1
2	JF168-A-02	IN. VALVE GUIDE	1
3	JF168-A-03	EX. VALVE GUIDE	1
4	JF168-A-04	VALVE GUIDE CLIP	2
5	JF168-A-05	CYLINDER HEAD GASKET	1
6	JF168-A-06	HEAD COVER COMP.	1
7	JF168-A-07	HEAD COVER PACKING	1
8	JF168-A-08A	BREATHER TUBE	1
9	JF168-A-09	FLANGE BOLT (M6X12)	4
10	JF168-A-10A	CARBURETOR STUD BOLT	2
11	JF168-A-11A	EXHAUST PIPE STUD BOLT	2
12	JF168-A-12	DOWEL PIN (10X16)	2
13	JF168-A-13	FLANGE BOLT (M8X58)	4
14	JF168-A-14	SPARK PLUG (LD NGK)	1



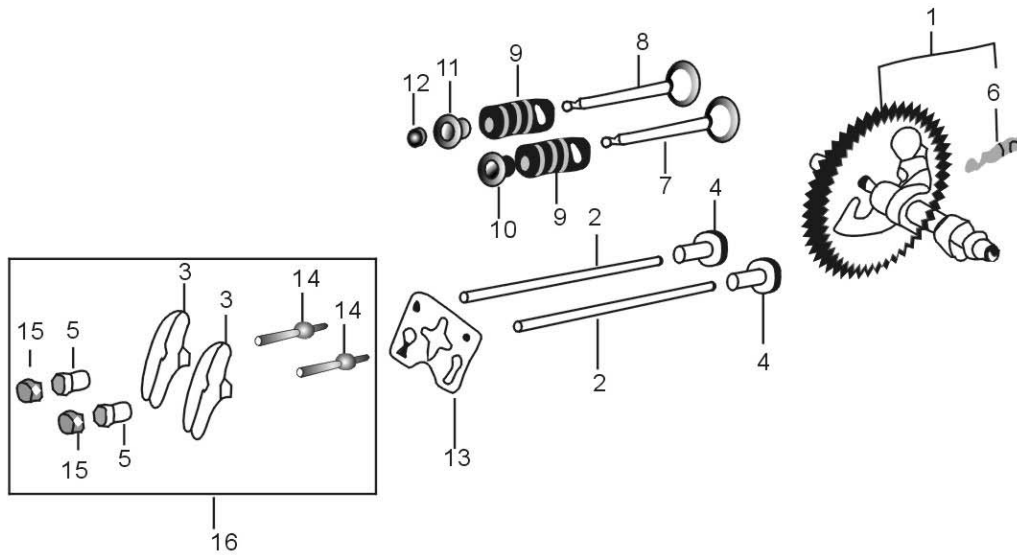
**CYLINDER BARREL**

REF NO.	PART NO.	DESCRIPTION	REGD NO.
1	JF168-B-01	CRANK CASE	1
2	JF168-B-02	OIL LEVEL SWITCH ASSY.	1
3	JF168-B-03	GOVERNOR GEAR ASSY.	1
4	JF168-B-04	GOVERNOR SLIDER	1
5	JF168-B-05	ROCKER	1
6	JF168-B-06	LOCK PIN (8mm)	1
7	JF168-B-07	FLANGE BOLT (M6X 20)	2
8	JF168-B-08	DRAIN PLUG BOLT	2
9	JF168-B-09	SLIDER WASHER (6mm)	1
10	JF168-B-10	DRAIN PLUG WASHER (10.2mm)	2
11	JF168-B-11	GOVERNOR HOLDER CLIP	1
12	JF168-B-12	BALL BEARING (6205) (TPI)	1
13	JF168-B-13	OIL SEAL ( φ 25X φ 41.25X 6)	1
14	JF168-B-14	O-RING (14mm)	1
15	JF168-B-15	FLANGE NUT (M10)	1
16	JF168-B-16	GOVERNOR GEAR (6mm)	2

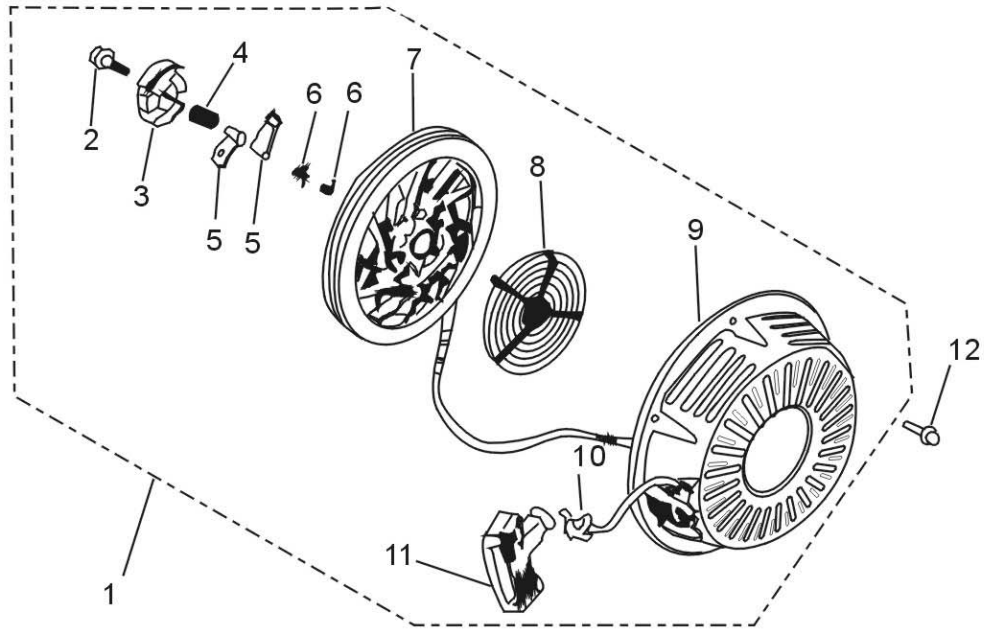








STEERING SHAFT ASSY				
REF NO .	PART NO .	DESCRIPTION	REGD NO .	
1	JF168-F-01A	CAMSHAFT ASSY.	1	
2	JF168-F-02	PUSH ROD	2	
3	JF168-F-03	ROCKER ARM	2	
4	JF168-F-04	VALVE LIFTER	2	
5	JF168-F-05	ADJUSTING NUT	2	
6	JF168-F-06	WEIGHT RETURN SPRING	1	
7	JF168-F-07	IN. VALVE	1	
8	JF168-F-08	EX. VALVE	1	
9	JF168-F-09	VALVE SPRING	2	
10	JF168-F-10	IN. VALVE SPRING RETAINER	1	
11	JF168-F-11	EX. VALVE SPRING RETAINER	1	
12	JF168-F-12	EX. VALVE HELMET	1	
13	JF168-F-13	PUSH ROD GUIDE PLATE	1	
14	JF168-F-14	ROCKER BOLT (M8)	2	
15	JF168-F-15	LOCKNUT	2	
16	JF168-F-16	ROCKER ASSY.	1	

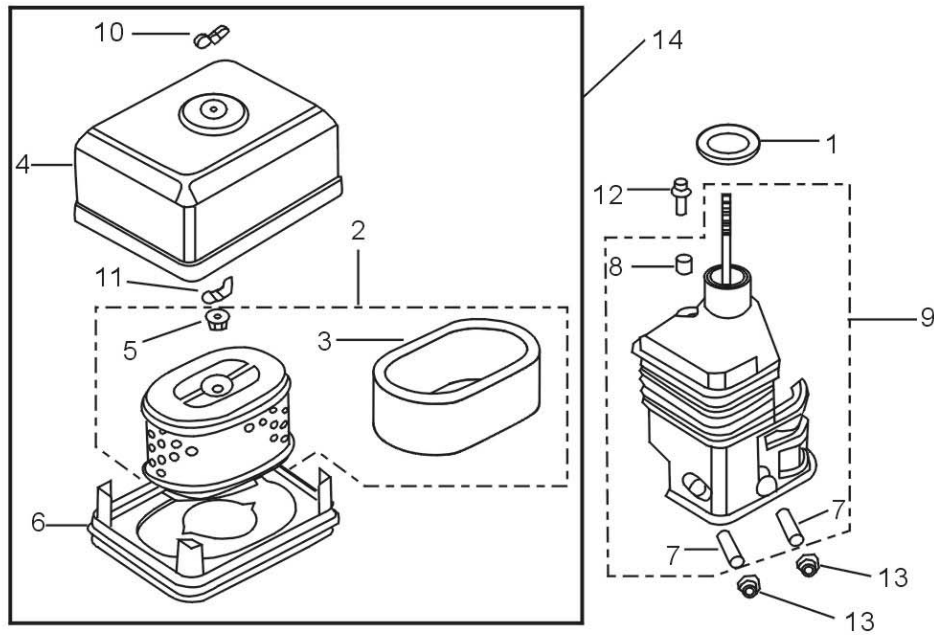


RECOIL STARTER SYSTEM ASSY				
REF NO .	PART NO .	DESCRIPTION	REGD NO .	
1	JF168-G-01	RECOIL STARTER ASSY.	1	
2	JF168-G-02	SETTING SCREW	1	
3	JF168-G-03	RATCHET GUIDE	1	
4	JF168-G-04	FRICITION SPRING	1	
5	JF168-G-05	STARTER RATCHET	2	
6	JF168-G-06	RATCHET SPRING	2	
7	JF168-G-07	RECOIL STARTER REEL	1	
8	JF168-G-08	RECOIL STARTER SPRING	1	
9	JF168-G-09	RECOIL STARTER CASE COMP.	1	
10	JF168-G-10	RECOIL STARTER ROPE	1	
11	JF168-G-11	STARTER GRIP	1	
12	JF168-G-12	FLANGE BOLT (M6X 8)	3	



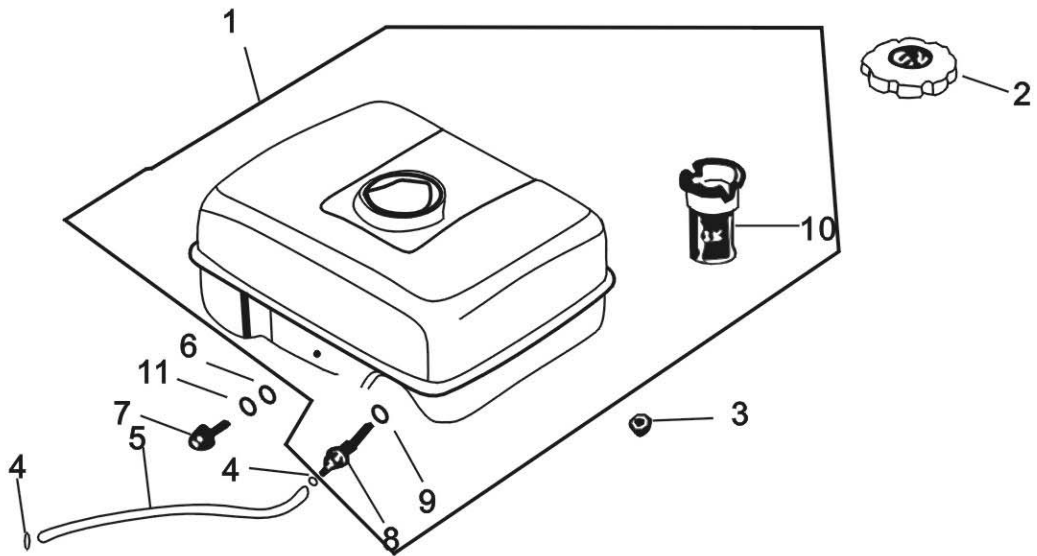






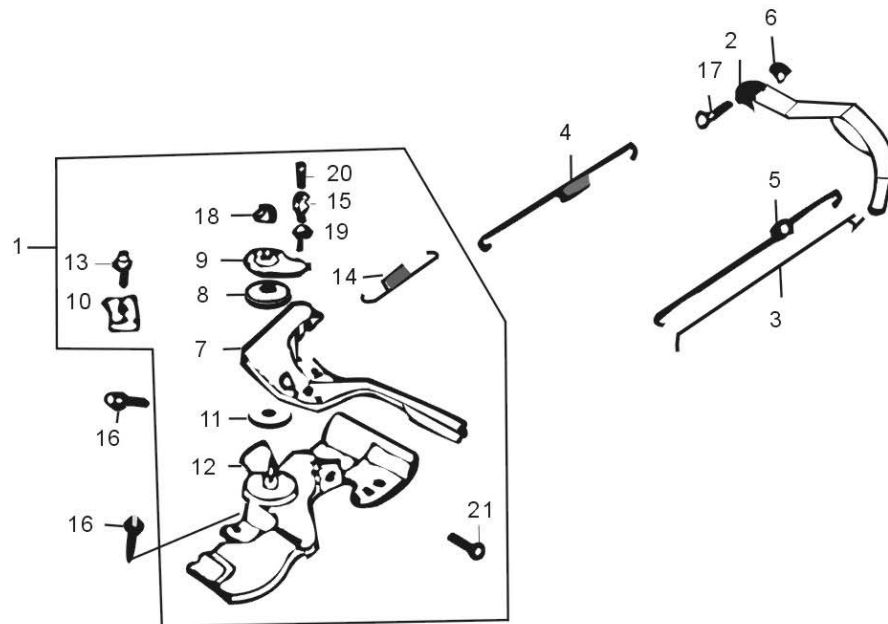
AIR CLEANER				
REF NO.	PART NO.	DESCRIPTION	REGD NO.	
1	JF168-K-01	ELBOW GASKET	1	
2	JF168-K-02	AIR CLEANER ELEMENT	1	
3	JF168-K-03	OUTER FILTER	1	
4	JF168-K-04	AIR CLEANER COVER	1	
5	JF168-K-05	AIR CLEANER GROMMET	1	
6	JF168-K-06	SILENCER NOSE	1	
7	JF168-K-07	INTAKE PIPE LONG BOLT COLLAR	2	
8	JF168-K-08	INTAKE PIPE SHORT BOLT COLLAR	1	
9	JF168-K-09	AIR CLEANER ELBOW COMP.	1	
10	JF168-K-10	AIR CLEANER COVER WINGNUT	1	
11	JF168-K-11	TOOL BOX SETTING WINGNUT	1	
12	JF168-K-12	BOLT-WASHER (M6X 20)	1	
13	JF168-K-13	FLANGE NUT (M6)	2	
14	JF168-K-14	AIR CLEANER ASSY.	1	





FUEL TANK SYSTEM ASSY				
REF NO .	PART NO .	DESCRIPTION	REGD NO .	
1	JF168-N-01	FUEL TANK COMP.	1	
2	JF168-N-02	FUEL FILLER CAP COMP.	1	
3	JF168-N-03	FLANGE NUT (M6)	2	
4	JF168-N-04	TUBE CLIP	2	
5	JF168-N-05	FUEL TUBE	1	
6	9. 300. 006	F LAT WASHER $\phi 6$	1	
7	9. 106. 025	FLANGE BOLT (M6X 25)	1	
8	JF168-N-08	FUEL TANK JOINT	1	
9	JF168-N-09	O-RING (14mm)	1	
10	JF168-N-10	FUEL FILTER	1	
11	9. 400. 006	LOCK WASHER $\phi 6$	1	





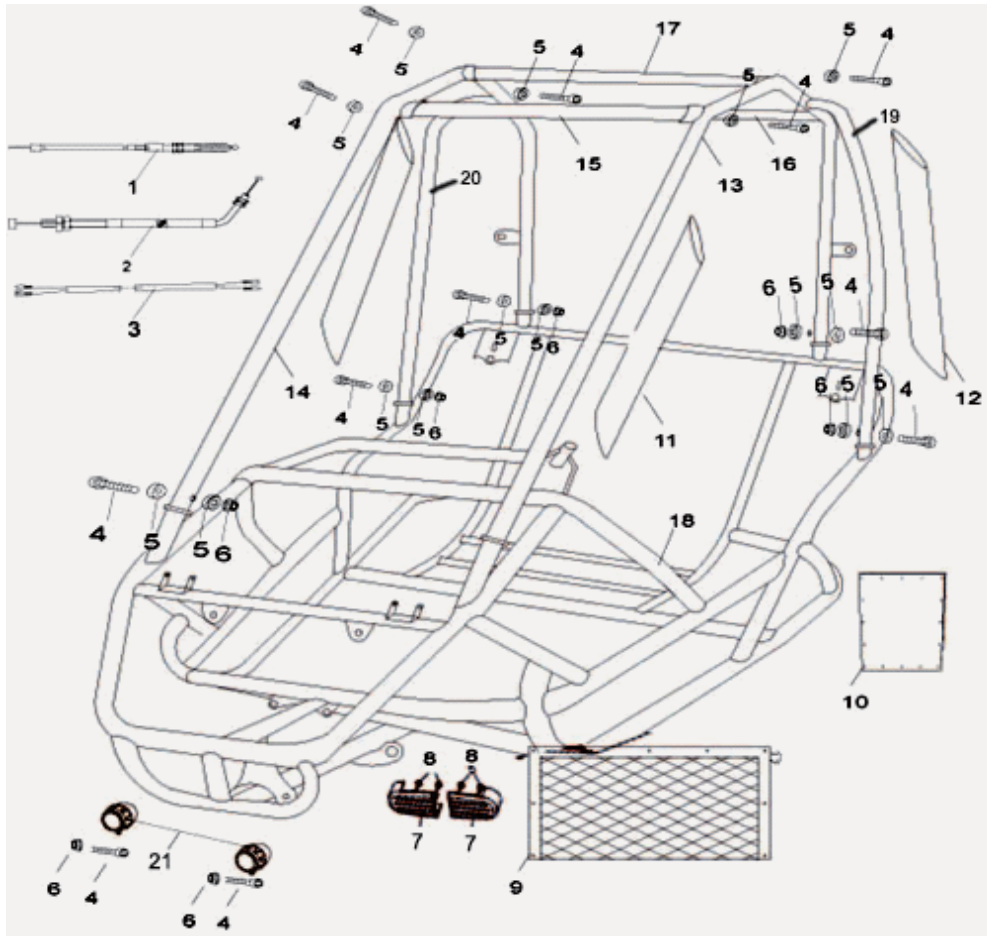
**STEERING SHAFT ASSY.**

REF NO .	PART NO .	DESCRIPTION	REGD NO .
1	JF168-P-01	CONTROL ASSY.	1
2	JF168-P-02	CONTROL ARM	1
3	JF168-P-03	GOVERNOR ROD	1
4	JF168-P-04	GOVERNOR SPRING	1
5	JF168-P-05	THROTTLE RETURN SPRING	1
6	JF168-P-23	FLANGE NUT(M6)	1
7	JF168-P-07	CONTROL LEVER	1
8	JF168-P-08	DISH SPRING	1
9	JF168-P-09	CONTROL LEVER WASHER	1
10	JF168-P-10	CABLE HOLDER	1
11	JF168-P-11	CONTROL LEVER SPACER	1
12	JF168-P-12	CONTROL BASE COMP. RING	1
13	JF168-P-13	PAN SCREW (M5 X 16)	1
14	JF168-P-14	CABLE RETURN SPRING	1
15	JF168-P-15	WIRE HOLDER	1
16	JF168-P-16	FLANGE BOLT (M6 X12)	2
17	JF168-P-17	QUADRATE BOLT(M6)	1
18	JF168-P-18	SELF-LOCK NUT (M6)	1
19	JF168-P-19	CIRCLIP (5mm)	1
20	JF168-P-20	PAN SCREW (M4X6)	1
21	JF168-P-21	PAN SCREW (M5X25)	1

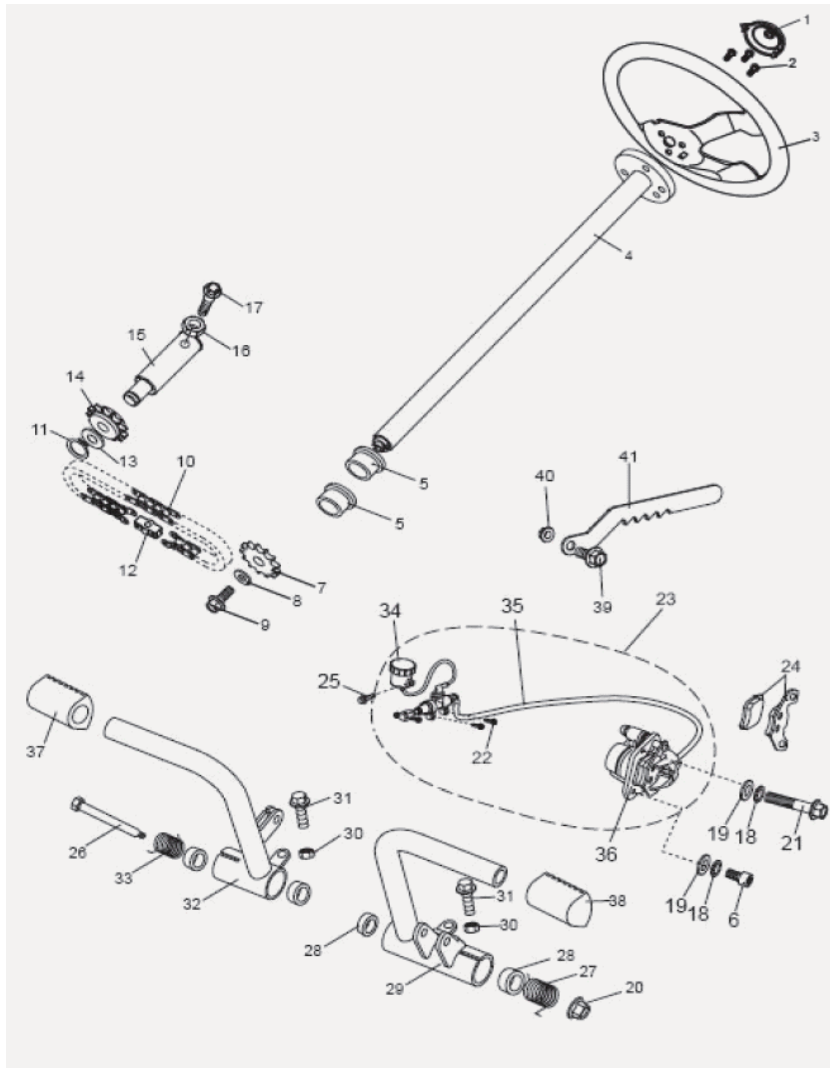






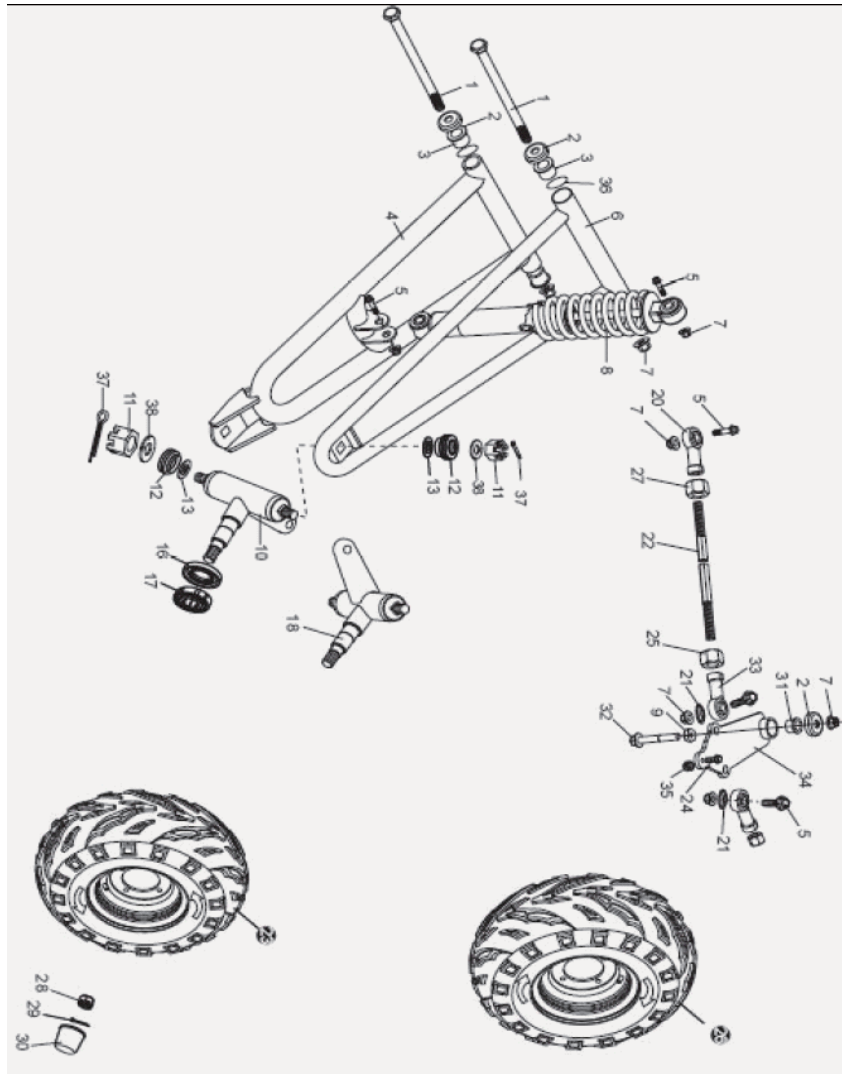


FRAME GROUP			
REF NO.	PART NO.	DESCRIPTION	REGD NO.
17-1	16-0704-00	Throttle Cable	1
17-2	16-0705-00	Choke Cable	1
17-3	16-0303-00	Front Electric Wire	1
17-4	9.908.055	ALLEN HEAD NUT M8*1.25*55	16
17-5	8.010.047	Concave Washer	20
17-6	9.220.008	LOCKING NYLON NUT M8	16
17-7	14548	Steering Chain Guard (Driver Side)	1
	14549	Steering Chain Guard (Passenger Side)	1
17-8	14421	Screw, M4 x 0.75 x 15	4
17-9	16-0802-00	Utility Canvas Net	1
17-10	16-0801-00	Canvas Top	1
17-11	16-0803-00	A-Pillar Foam Bar	2
17-12	16-0804-00	B-Pillar Foam Bar	2
17-13	16-0106-00	A-Pillar Brush Guard (driver Side)	1
17-14	16-0107-00	A-Pillar Brush Guard (Passenger Side)	1
17-15	16-0101-00	C-Pillar (front)	1
17-16	16-0108-00	C-Pillar (Rear)	1
17-17	16-0104-00	C-Pillar (middle)	1
17-18	16-0608-00	Frame	1
17-19	16-0103-00	B-Pillar (driver)	1
17-20	16-0109-00	B-Pillar (passenger)	1
17-21	13-0206-00	Head Light	2



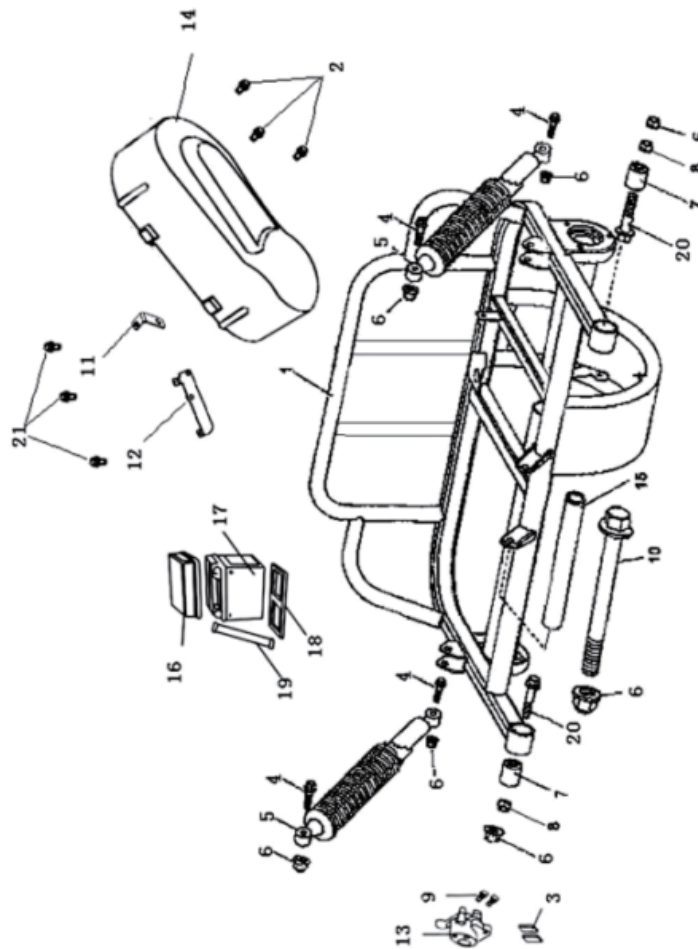
STEERING ASSEMBLY			
REF NO.	PART NO.	DESCRIPTION	
18-1	14100	Cover, Steering Wheel	1
18-2	14237	Bolt, M6 x 12	3
18-3	14102	STEERING WHEEL	1
18-4	14385	STEERING-SHAFT	1
18-5	14104	Bushing, Steering Shaft	3
18-6	14432	Bolt, M8x 1.25 x 12	1
18-7	14518	Sprocket, 06B-13T steel	1
18-8	14293	Washer, M8 Flat	1
18-9	14435	Bolt, M8 x 1.25 x 22	1
18-10	14519	Chain, KMC 06B-1Rx82L	1
18-11	14520	Circlip, M15	1
18-12	14521	Link, Steering Chain	1
18-13	14550	Washer, 18x8.2x2.5	1
18-14	14522	Sprocket, 06B-13T-Plastic	1
18-15	14523	Shaft, Steering Adjustment	1
18-16	14088	Nut, M8 x 1.25 x 40 FHCS	1
18-17	14439	Bolt, M8x 1.25 x 40 FHCS	1
18-18	14238	Washer, M5 Flat Zn	2
18-19	14496	Washer, M5 Flat Zn	2
18-20	14088	Nut, M8 x 1.25 Locking Flange	1
18-21	14441	Bolt, M8 x 1.25 x 100 FHCS	1
18-22	14430	Bolt, M6 x 1 x 25 FHCS	2
18-23	14386	Hydraulic Brake	1
18-24	14524	Brake Pad Kit	1

18-25	14426	Bolt, M6 x 1 x 14 FHCS	1
18-26	14442	Bolt, M8 x 1.25 x 145 HHCS	1
18-27	14120	Spring, Brake pedal	1
18-28	14119	Bushing, Pedal	4
18-29	14387	Brake Pedal	1
18-30	14236	Nut, M6 x 1	2
18-31	14430	Bolt, M6 x 1 x 25 FHCS	2
18-32	14388	Throttle Pedal	1
18-33	14113	Spring, Throttle Pedal	1
18-34	14389	Master Cylinder Cap	1
18-35	14525	Brake Hose	1
18-36	14390	Brake Caliper	1
18-37	14526	Throttle Pedal Cap	1
18-38	14527	Brake Pedal Cap	1
18-39	14437	Bolt, M8 x 1.25 x 25 FHCS	1
18-40	14088	Nut, M 8 x 1.25 Locking Flange	1
18-41	14528	Lever, Parking Brake	1

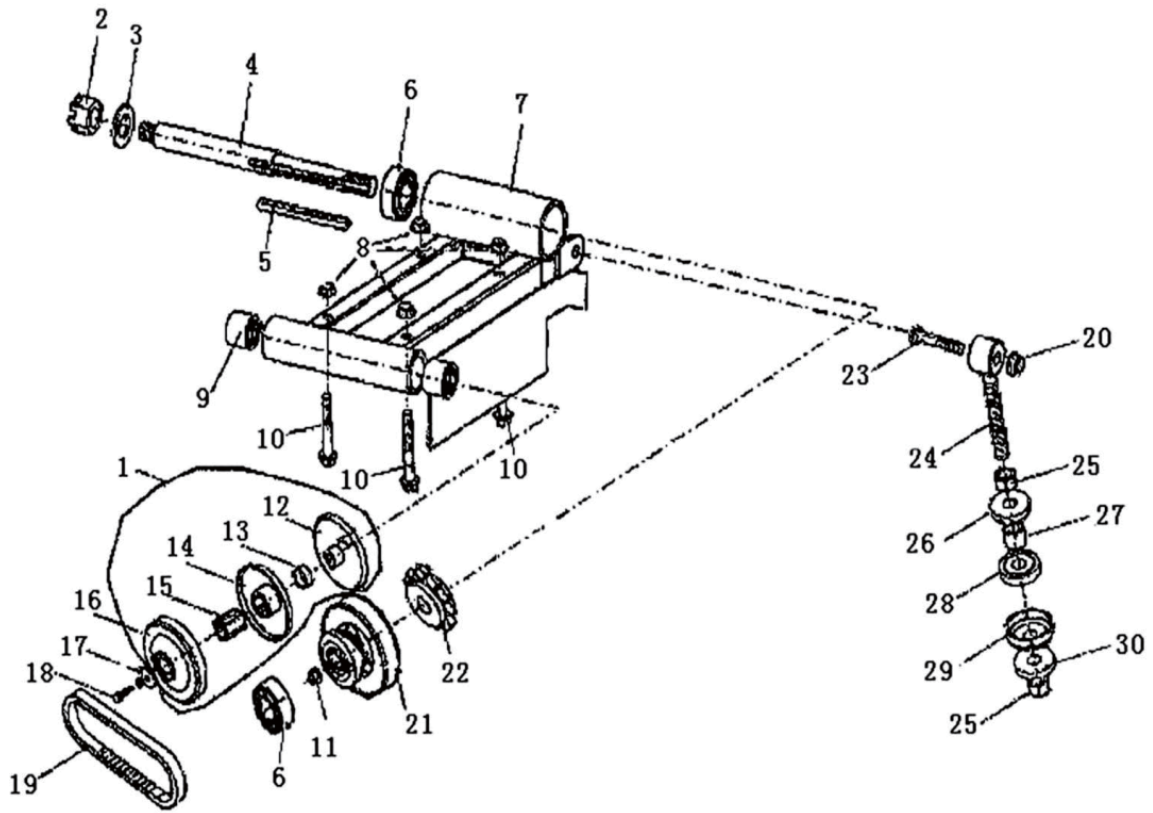


SUSPENSION ARM ASSY			
REF NO.	PART NO.	DESCRIPTION	REGD NO.
19-1	14450	Bolt, M10*1.25*232 hhcs	4
19-2	14154	cap, Dust - Lower Suspension Arm	8
19-3	14155	Bushing, A Arm Lower	8
19-4	14391	Lower A-Arm	2
19-5	14246	Bolt, M10 x 1.25 x 40 FHCS	8
19-6	14392	Upper A-Arm	2
19-7	12243	Nut, M10x1.25 Locking Flange	8
19-8	14393	Shock, 345 mm Front	2
19-9	14087	Washer, Concave Clamp	2
19-10	14394	Asm, Strut / Spindle- LH - Black	1
19-11	14244	Nut, M12 x 1.25 Castle ZN	4
19-12	14137	Seal, ball Join	4
19-13	14138	Spacer, Ball join Head	4
19-16	14626	Bearing, 6201	1
19-17	14624	Bearing, Inner 6003Z	1
19-18	14395	Asm, Struct / Spindle - RH - Black	1
19-20	14529	End, Tie Rod - M10	2
19-21	14551	Washer	8
19-22	14552	Tie Rod, 360 x M10 x 1.5	2
19-23	16-0901-00	Left Front Tire Assy, 16x6-8	1
19-24	14430	Bolt, M6 x 1 x 25	2
19-25	14553	Nut, Tie Rod - M10 x 1.5	2
19-26	16-0903-00	Right Front Tire Assy, 16x6-8	1

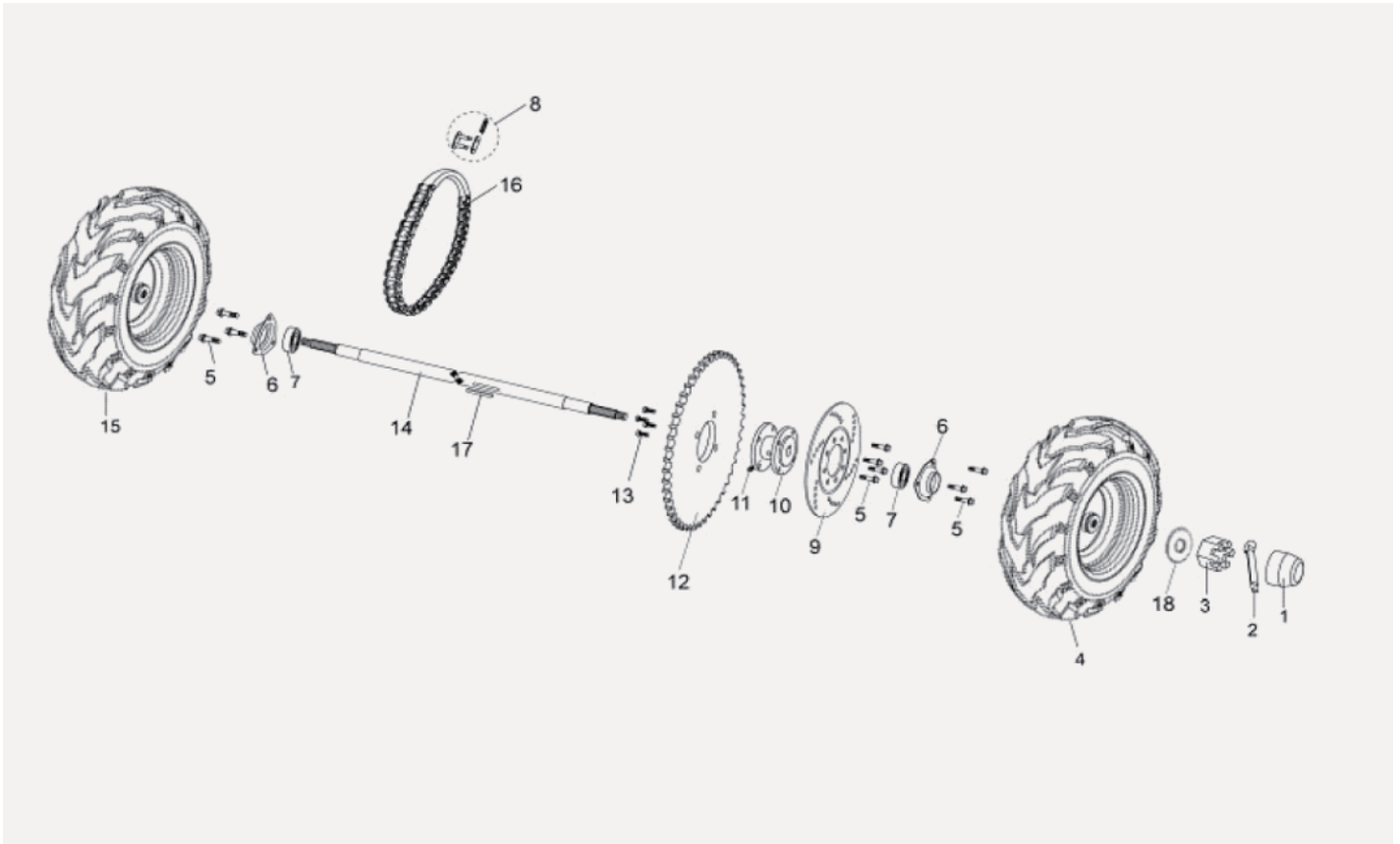
19-27	14554	Nut, Tie Rod - M10 x 1.5	2
19-28	14224	Nt, M12 x 1.25 Castle Zn	2
19-29	14150	Pin, M2 x 20 Cotter	2
19-30	14151	Cap, Hub Nose	2
19-31	14555	Bushing, 21 x 15 x 15	2
19-32	14448	Bolt, M10 x 1.25 x 85 HHCS	1
19-33	14556	End, Tie Rod - M10 x 1.5	2
19-34	14400	Rivot, Steering Link	1
19-35	14236	Nut, M6 x 1 - Nyloc Flange	2
19-36	14156	O-Ring, M21.2 x 2.65	8
19-37	14490	Pin, M 1.8 x 20 Cotter	4
19-38	14245	Washer, M 12 Split Lock Zn	4
19-39	002-1000837	8 x 3.75 steel wheel	2
19-40	01-160608-0	16x6-8(F978) Tire	2



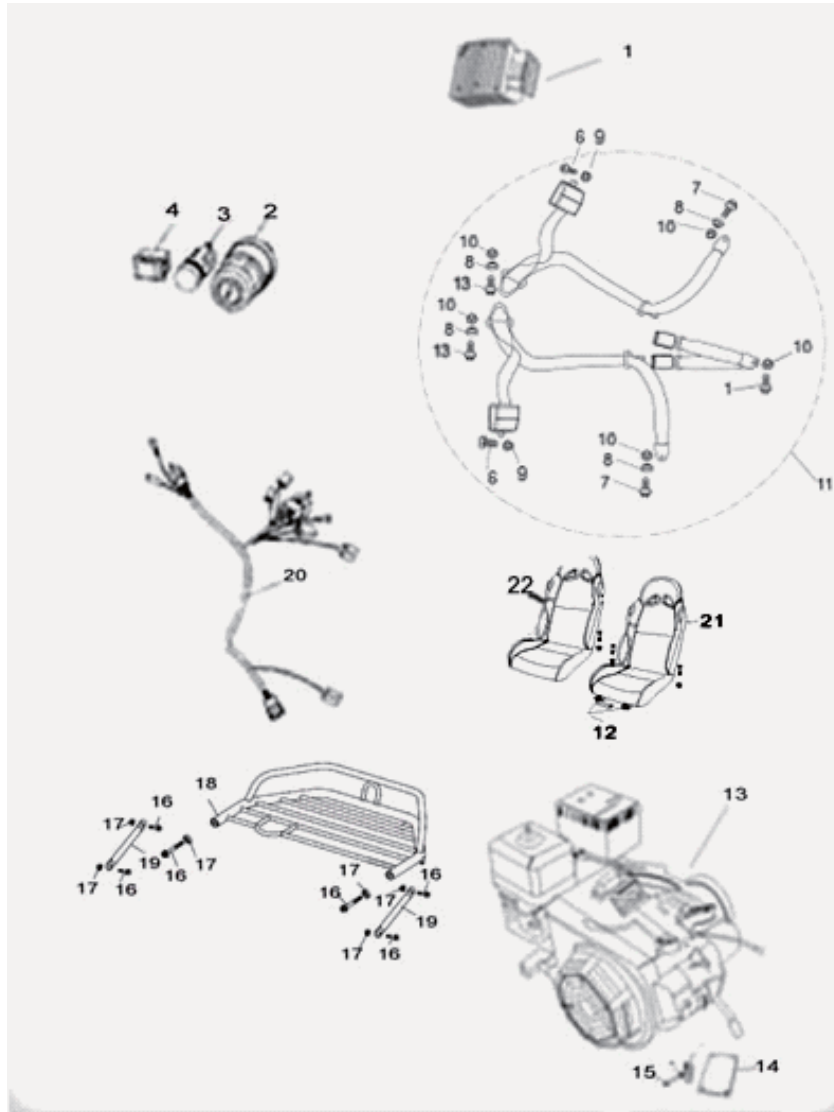
REAR SW NG ARM			
REF NO.	PART NO.	DESCRIPTION	REGD NO.
20-1	4.000.045	Rear Swing Arm	4
20-2	9.106.012	Flange Bolt M6 x 12	4
20-3	7.020.016	RR, Brake Pad Set	2
20-4	9.110.040	Flange Bolt M10 x 1.25 x 40	1
20-5	6.000.322	Shock Assy. RR	1
20-6	9.220.010	Locking Nut M10 x 1.25	1
20-7	7.020.077	Bushing, Swing Arm Isolator	1
20-8	9.210.008	Nut M10x1.25	1
20-9	9.908.012	Bolt M8x 12	1
20-10	9.110.180	Bolt M10x1.25 x 180	1
20-11	7.100.001	Plastic 1	2
20-12	7.100.002	Plastic 2	1
20-13	6.000.028	RR.Caliper Assy	2
20-14	16-0207-00	Clutch Guard	1
20-15	8.146.066	Collar	1
20-16	7.101.028	Battery Cover	1
20-17	6.000.323	Battery 12V 6.5 AH	1
20-18	7.020.023	Lower Battery Cushion	1
20-19	7.020.023	Battery Strap	1
20-20	9.110.055	Flange Bolt M10x1.25x65	2
20-21	9.108.016	Flang Bolt M8x16	3



CLUTCH ASSY			
REF NO.		DESCRIPTION	REGD NO.
21-1	9.500.001	Rear Clutch	1
21-2	9.220.012	Castle Nut M14 x 1.5	1
21-3	9.300.012	Washer 14	1
21-4	8.011.057	Shaft, Sprocket & Drive Pulley	1
21-5	8.010.027	Key 5 x 75	1
21-6	6.000.065	Bearing	2
21-7	8.000.001	Engine Mounting Plate	1
21-8	9.220.008	Flange Locking Nut M8	4
21-9	7.020.077	Bushing	2
21-10	9.108.050	Bolt M8 x 55	2
21-11	9.220.016	Locking Nut M16 x 1.5	4
21-12	8.146.098	Sheave, Stationary	1
21-13	8.146.099	Bushing	1
21-14	8.147.000	Sheave, Moveable	1
21-15	8.147.001	Hub	1
21-16	8.147.002	Drum	1
21-17	9.300.008	Washer, 8	1
21-18	9.208.045	Bolt M8x45L	1
21-19	9.100.018	Belt	1
21-20	9.220.016	Flange Locking Nut M10x1.25	1
21-21	9.500.010	Driven Pulley	1
21-22	8.011.077	Sprocket, 10T Driven	1
21-23	9.108.045	Bolt, M10 x 1.25 x 40	1
21-24	8.147.008	Chain Adjuster	1
21-25	9.220.012	Nut, M12 x 1.25	2
21-26	8.010.042	Washer - Chain Adjuster	1
21-27	8.010.041	Bushing - Chain Adjuster	1
21-28	7.020.001	Cap Washer - Chain Adjuster	1
21-29	8.020.045	Bottom cap Washer - Chain Adjuster	1
21-30	9.300.012	Washer, Flat 12	1



REAR AXLE			
REF NO.		DESCRIPTION	REGD NO.
22-1	14627	CAP, HUB NOSE -BLACK	2
22-2	89018	COTTER PIN 3.2 X 30	2
22-3	14249	NUT, M16 X 2.00 CASTLE	2
22-4	16-0902-00	Rear Tire/Wheel Assembly Passenger Side	1
22-5	14434	BOLT, M8 X 1.25 X 16 FHCS ZN	10
22-6	14668	FLANGE BEARING	2
22-7	14593	BEARING 6005Z	2
22-8	14669	MASTER LINK	1
22-9	14670	DISK, REAR BRAKE	1
22-10	14671	SPACER, SPROCKET	1
22-11	14769	SCREW, SET M8 X 1.25 X 14 SHCS PL	1
22-12	14672	SPROCKET	1
22-13	14434	BOLT, M8 X 1.25 X 16 FHCS ZN	4
22-14	14798	AXLE	1
22-15	16-0904-00	Rear Tire/Wheel Assembly Driver Side	2
22-16	14675	CHAIN	1
22-17	14676	KEY, 5 X 5 X 75	1
22-18	14724	WASHER, 29.5 X 17MM X 3.0 ZN	2
22-19	002-1000855	Steel wheel 8x5.5	2
22-20	001-160708	Tire 16x7-8 (F978)	2



Electrical Engine, Rear Rack			
REF NO.		DESCRIPTION	REGD NO.
23-1	6.100.167	Rectifier	1
23-2	16-0301-00	Ignition Key Switch	1
23-3	16-0304-00	Stop Switch	1
23-4	16-0320-00	Headlight Switch	1
23-6	14451	Bolt, M12 x 1.25 x 25 FCH	2
23-7	14687	Bolt, M10x1.25 x 20	2
23-8	14289	Washer, M12 Flat Zn	4
23-9	14324	Nut, M12 x 1.25 Locking Flange	2
23-10	14243	Nut, M10x1.25 Locking Flange Zn	4
23-11	14786	Seat Belt, Retractable W/o Sleeve	1
23-12	16-0411-00	Driver Seat Track	1
23-13	7.160.012	199cc Engine	1
23-16	9.200.003	M8 x 25	6
23-17	6.034.096	M8	8
23-18	16-0609-00	Rear Rack	1
23-19	16-0623-00	Rear Rack Support	2
23-20	16-0316-00	Engine Wire Harness	1
23-21	16-0412-00	Passenger Seat	1
23-22	16-0401-00	Driver Seat with Rack	1