

HAMMERHEAD 80T PARTS BOOK

**READ THIS MANUAL CAREFULLY
IT CONTAINS IMPORTANT SAFETY INFORMATION**

80T

MINIMUM
RECOMMENDED
OPERATOR AGE : 10

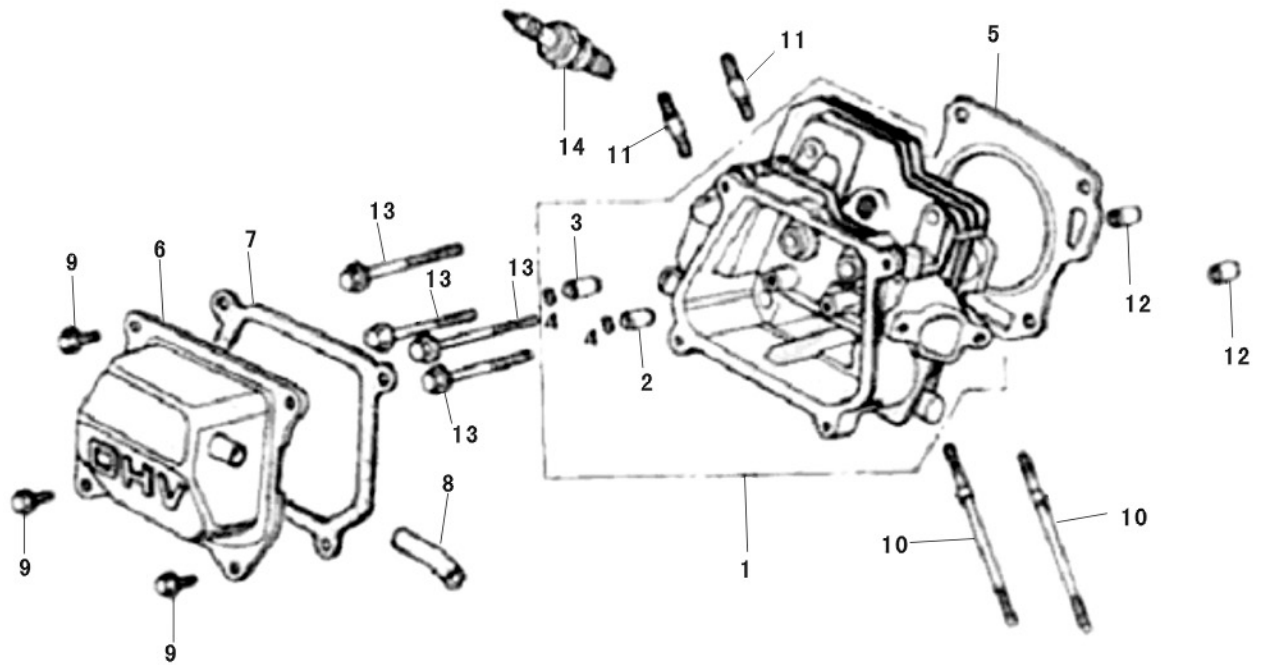


FOR OFF-ROAD USE ONLY

This vehicle is designed and manufactured for off-road use only.

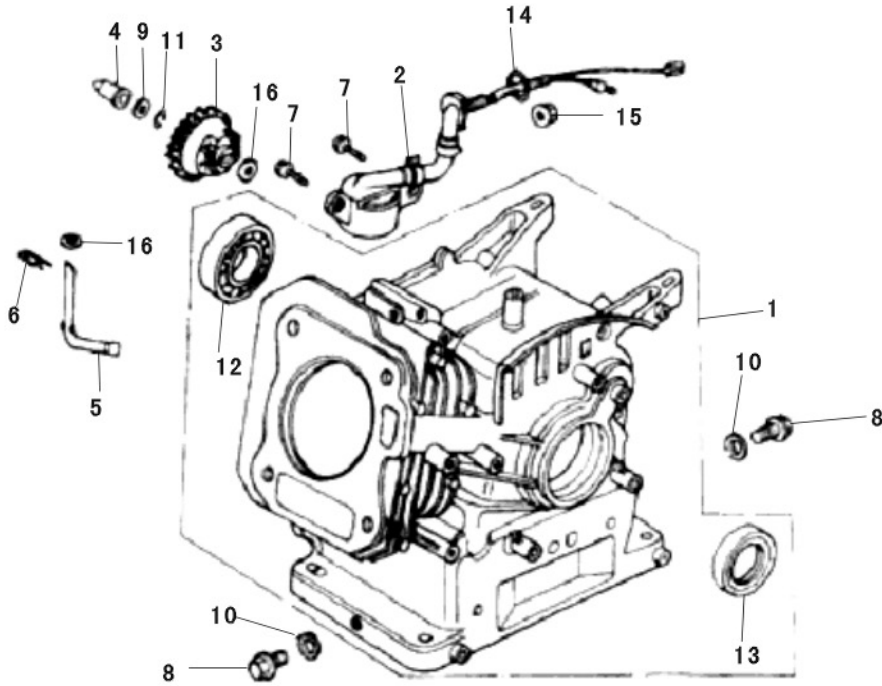
USA only:

It does not conform to Federal Motor Vehicle Safety Standards, and in regards to operation on public streets, roads, or highways is illegal.



STEERING SHAFT ASSY.

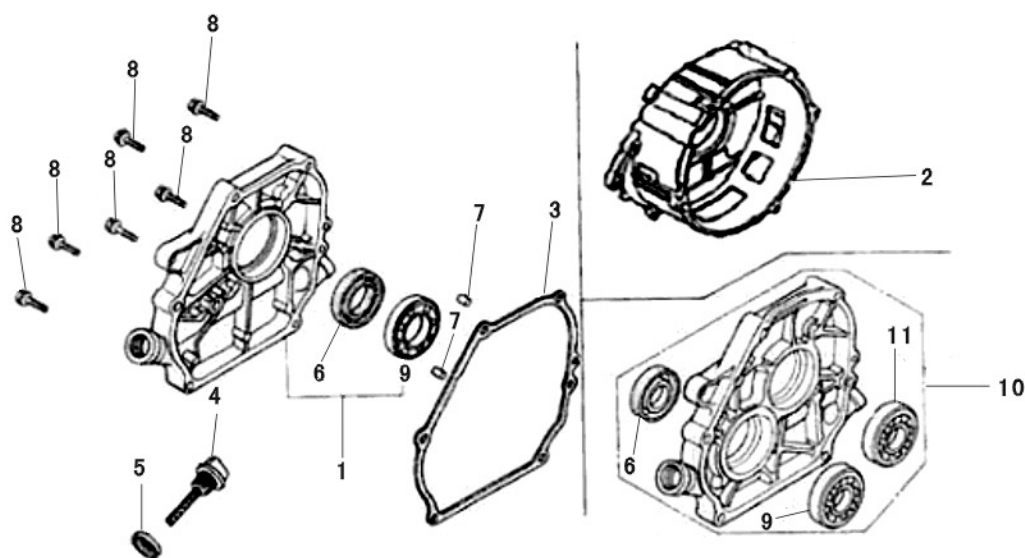
REF NO.	PART NO.	DESCRIPTION	REGD NO.
1	JF168-A-01	CYLINDER HEAD COMP.	1
2	JF168-A-02	IN. VALVE GUIDE	1
3	JF168-A-03	EX. VALVE GUIDE	1
4	JF168-A-04	VALVE GUIDE CLIP	2
5	JF168-A-05	CYLINDER HEAD GASKET	1
6	JF168-A-06	HEAD COVER COMP.	1
7	JF168-A-07	HEAD COVER PACKING	1
8	JF168-A-08A	BREATHER TUBE	1
9	JF168-A-09	FLANGE BOLT (M6×12)	4
10	JF168-A-10A	CARBURETOR STUD BOLT	2
11	JF168-A-11A	EXHAUST PIPE STUD BOLT	2
12	JF168-A-12	DOWEL PIN (10×16)	2
13	JF168-A-13	FLANGE BOLT (M8×58)	4
14	JF168-A-14	SPARK PLUG (LD NGK)	1



CRANKCASE ASSEMBLY

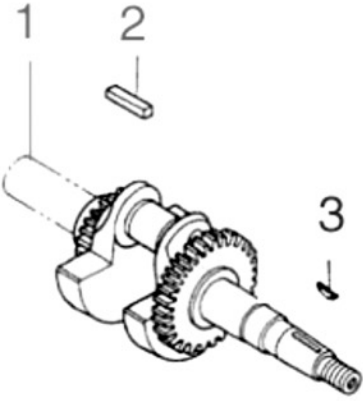
REF NO.	PART NO.	DESCRIPTION	REGD NO.
1	JF168-B-01	CRANK CASE	1
2	JF168-B-02	OIL LEVEL SWITCH ASSY.	1
3	JF168-B-03	GOVERNOR GEAR ASSY.	1
4	JF168-B-04	GOVERNOR SLIDER	1
5	JF168-B-05	ROCKER	1
6	JF168-B-06	LOCK PIN (8mm)	1
7	JF168-B-07	FLANGE BOLT (M6×20)	2
8	JF168-B-08	DRAIN PLUG BOLT	2
9	JF168-B-09	SLIDER WASHER (6mm)	1
10	JF168-B-10	DRAIN PLUG WASHER (10.2mm)	2
11	JF168-B-11	GOVERNOR HOLDER CLIP	1
12	JF168-B-12	BALL BEARING (6205) (TPI)	1
13]	JF168-B-13	OIL SEAL (φ25×φ41.25×6)	1
14	JF168-B-14	O-RING (14mm)	1
15	JF168-B-15	FLANGE NUT (M10)	1
16	JF168-B-16	GOVERNOR GEAR (6mm)	2

FIG.3



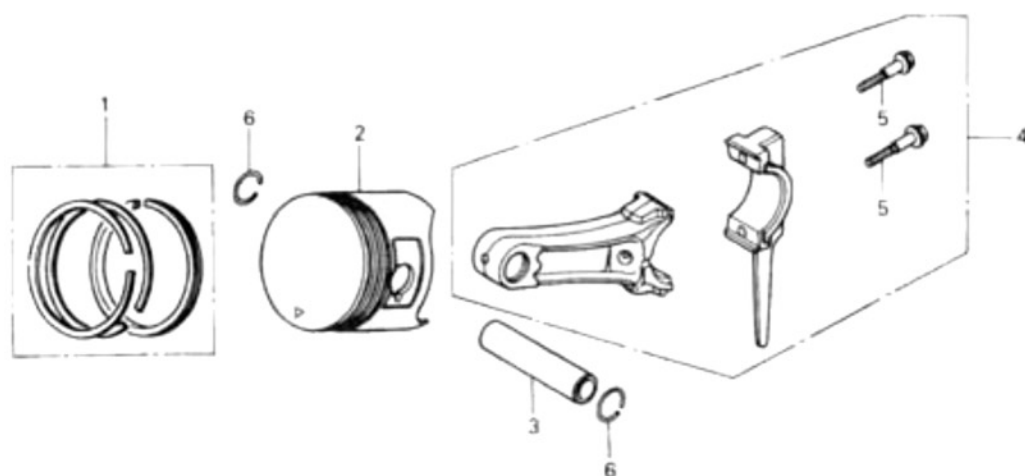
CRANKCASE COVER ASSEMBLY

REF NO.	PART NO.	DESCRIPTION	REGD NO.
1	JF168-C-01A	CRANKCASE COVER ASSY.	1
2	JF168-C-01B	CRANKCASE COVER ASSY.	1
3	JF168-C-02	CASE COVER PACKING	1
4	JF168-C-03A	OIL SCALE	2
5	JF168-C-04	OIL SCALE SEAL RING	2
6	JF168-B-13	OIL SEAL ($\phi 25 \times \phi 41.25 \times 6$)	1
7	JF168-C-05	DOWEL PIN (8×14)	2
8	JF168-C-06	FLANGE BOLT (M8×28)	6
9	JF168-B-12	BALL BEARING (6205)	1
10	JF168-C-07	CRANKCASE COVER ASSY.	1
11	JF168-B-12	BALL BEARING (6205)	1

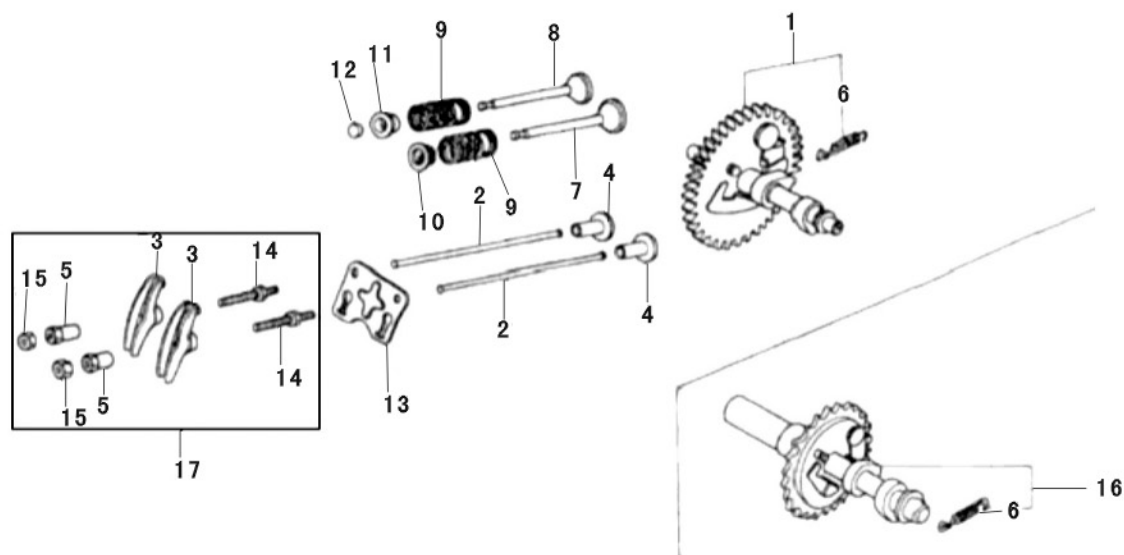


CRANKSHAFT ASSY.				
REF NO.	PART NO.	DESCRIPTION	REGD NO.	
1	JF168-D-01	CRANKSHAFT COMP.	1	
2	JF168-D-02	PLAIN KEY (5×5×30)	1	
3	JF168-D-03	SEMICIRCLE KEY	1	

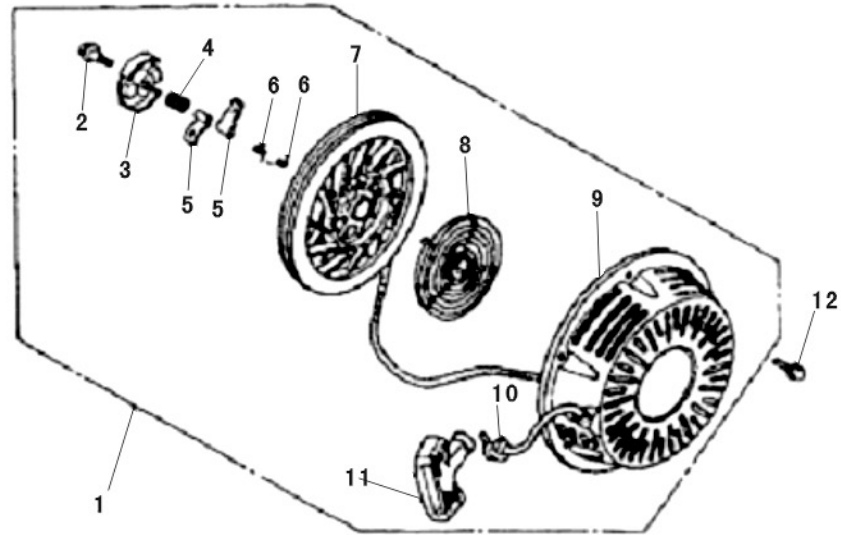
FIG.5



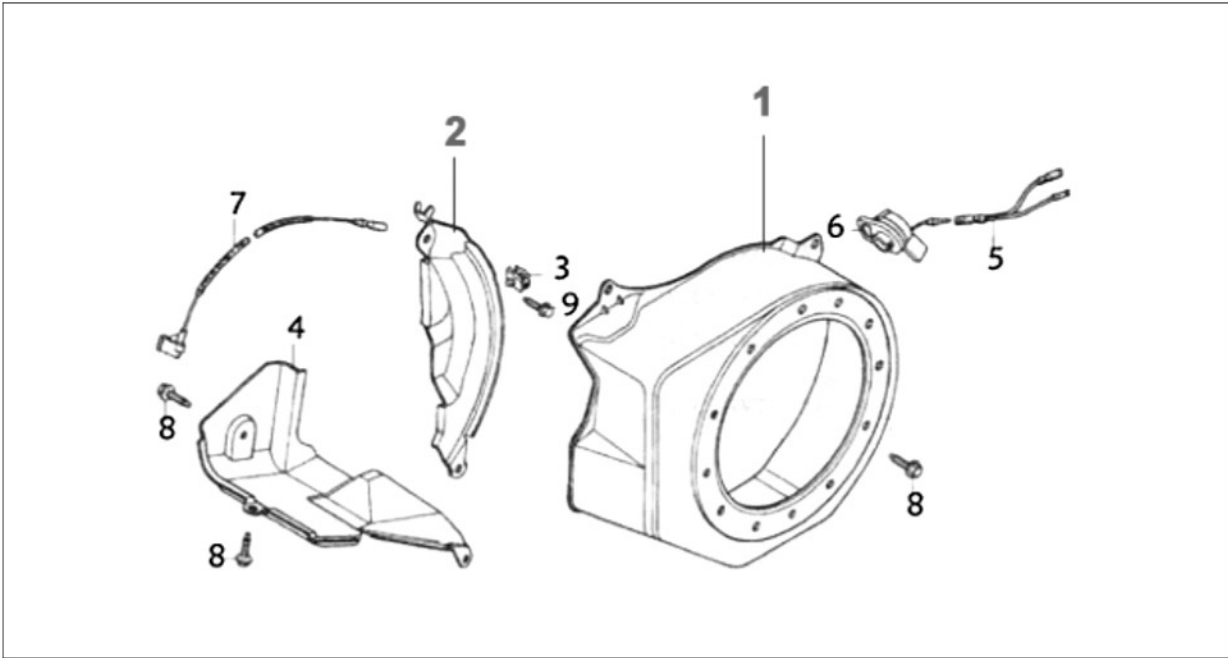
PISTON AND CONNECTING ROD ASSY.			
REF NO.	PART NO.	DESCRIPTION	REGD NO.
1	JF168-E-01	PISTON RING SET	1
2	JF168-E-02	PISTON	1
3	JF168-E-03	PISTON PIN	1
4	JF168-E-04	CONNECTING ROD ASSY.	1
5	JF168-E-05	CONNECTION ROD BOLT	2
6	JF168-E-06	PISTON PIN CLIP (18mm)	2



CAMSHAFT ASSY.			
REF NO.	PART NO.	DESCRIPTION	REGD NO.
1	JF168-F-01A	CAMSHAFT ASSY.	1
2	JF168-F-02	PUSH ROD	2
3	JF168-F-03	ROCKER ARM	2
4	JF168-F-04	VALVE LIFTER	2
5	JF168-F-05	ADJUSTING NUT	2
6	JF168-F-06	WEIGHT RETURN SPRING	1
7	JF168-F-07	IN. VALVE	1
8	JF168-F-08	EX. VALVE	1
9	JF168-F-09	VALVE SPRING	2
10	JF168-F-10	IN. VALVE SPRING RETAINER	1
11	JF168-F-11	EX. VALVE SPRING RETAINER	1
12	JF168-F-12	EX. VALVE HELMET	1
13	JF168-F-13	PUSH ROD GUIDE PLATE	1
14	JF168-F-14	ROCKER BOLT (M8)	2
15	JF168-F-15	LOCKNUT	2
16	JF168-F-01B	CAMSHAFT ASSY.	1
17	JF168-F-16	ROCKER ASSY.	1

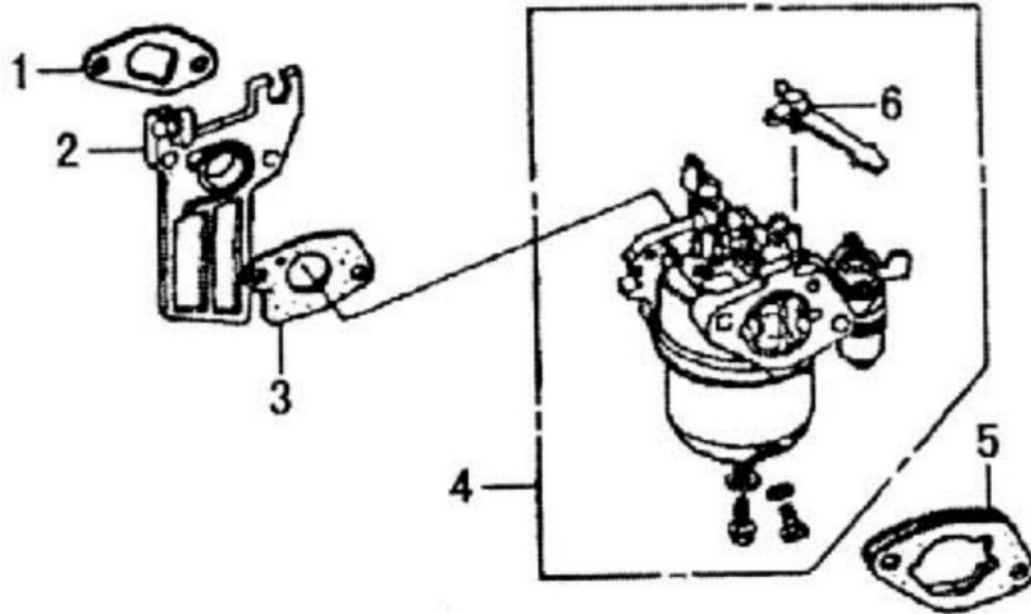


PULL START ASSEMBLY				
REF NO.	PART NO.	DESCRIPTION	REGD NO.	
1	JF168-G-01	RECOIL STARTER ASSY.	1	
2	JF168-G-02	SETTING SCREW	1	
3	JF168-G-03	RATCHET GUIDE	1	
4	JF168-G-04	FRICTION SPRING	1	
5	JF168-G-05	STARTER RATCHET	2	
6	JF168-G-06	RATCHET SPRING	2	
7	JF168-G-07	RECOIL STARTER REEL	1	
8	JF168-G-08	RECOIL STARTER SPRING	1	
9	JF168-G-09	RECOIL STARTER CASE COMP.	1	
10	JF168-G-10	RECOIL STARTER ROPE	1	
11	JF168-G-11	STARTER GRIP	1	
12	JF168-G-12	FLANGE BOLT (M6x8)	3	



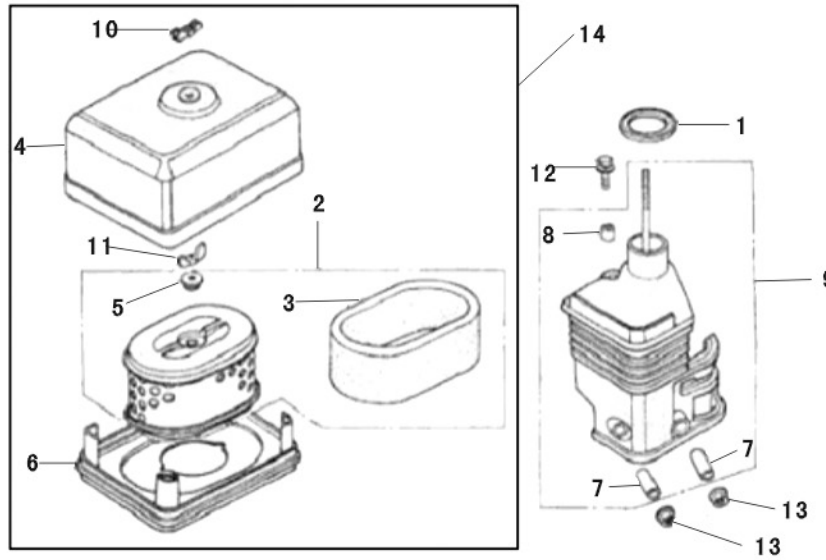
ENGINE SHROUD

REF NO.	PART NO.	DESCRIPTION	REGD NO.
1	JF168-H-01	FAN COVER COMP.	1
2	JF168-H-02	FLYWHEEL SIDE PLATE	1
3	JF168-H-03	CORD CLAMPER	1
4	JF168-H-04	SHROUD	1
5	JF168-H-05	SUB-HARNESS	1
6	JF168-H-06	ENGINE STOP SWITCH ASSY.	1
7	JF168-H-07	STOP SWITCH WIRE	1
8	JF168-H-08	FLANGE BOLT (M6×12)	6
9	JF168-H-09	FLANGE BOLT (M6×16)	1

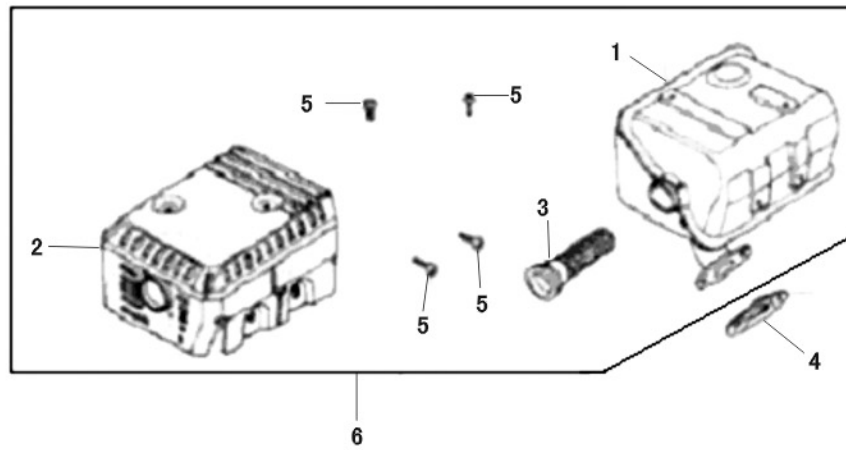


CARBURETOR ASSEMBLY

REF NO.	PART NO.	DESCRIPTION	REGD NO.
1	JF168-I-01	INTAKE PIPE GASKET	1
2	JF168-I-02	CARBURETOR INSULATING PLATE	1
3	JF168-I-03	CARBURETOR PAPER GASKET	1
4	JF168-I-04	CARBURETOR	1
5	JF168-I-05	CARBURETOR SPACER COMP.	1
6	JF168-I-06	CHOKE LEVER COMP.	1

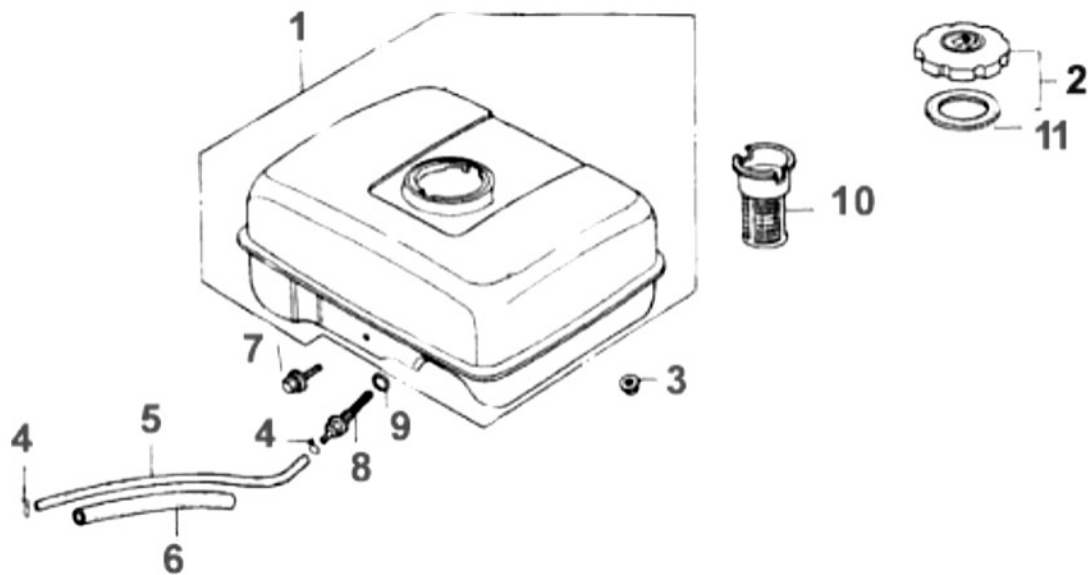


AIR FILTER ASSEMBLY				
REF NO.	PART NO.	DESCRIPTION	REGD NO.	
1	JF168-K-01	ELBOW GASKET	1	
2	JF168-K-02	AIR CLEANER ELEMENT	1	
3	JF168-K-03	OUTER FILTER	1	
4	JF168-K-04	AIR CLEANER COVER	1	
5	JF168-K-05	AIR CLEANER GROMMET	1	
6	JF168-K-06	SILENCER NOSE	1	
7	JF168-K-07	INTAKE PIPE LONG BOLT COLLAR	2	
8	JF168-K-08	INTAKE PIPE SHORT BOLT COLLAR	1	
9	JF168-K-09	AIR CLEANER ELBOW COMP.	1	
10	JF168-K-10	AIR CLEANER COVER WINGNUT	1	
11	JF168-K-11	TOOL BOX SETTING WINGNUT	1	
12	JF168-K-12	BOLT-WASHER (M6×20)	1	
13	JF168-K-13	FLANGE NUT (M6)	2	
14	JF168-K-14	AIR CLEANER ASSY.	1	



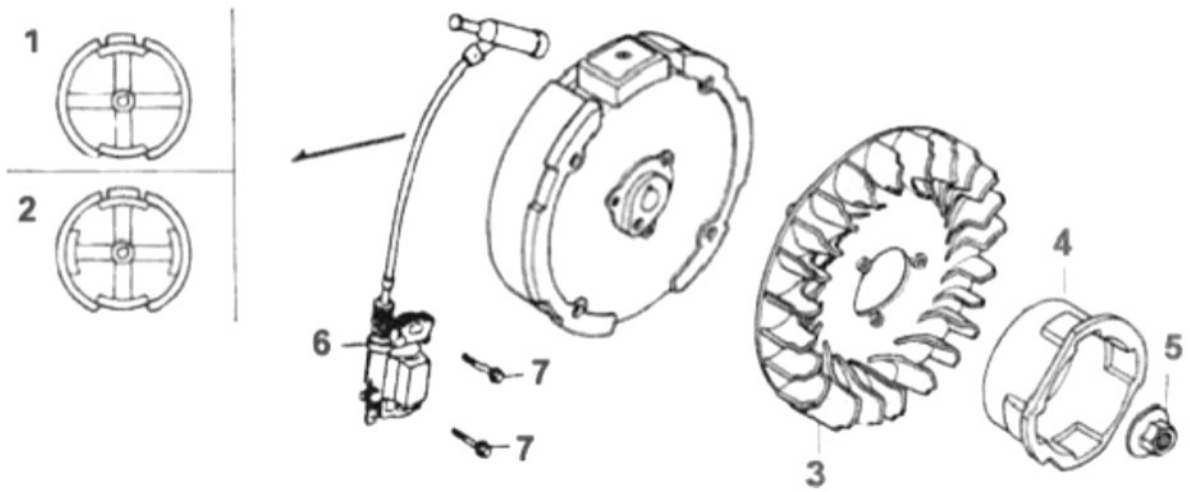
MUFFLER ASSEMBLY				
REF NO.	PART NO.	DESCRIPTION	REGD NO.	
1	JF168-M-01	INTAKE PIPE GASKET	1	
2	JF168-M-02	CARBURETOR INSULATING PLATE	1	
3	JF168-M-03	CARBURETOR PAPER GASKET	1	
4	JF168-M-04	CARBURETOR	1	
5	JF168-M-05	CARBURETOR SPACER COMP.	4	
6	JF168-M-06	CHOKE LEVER COMP.	1	

FIG.12

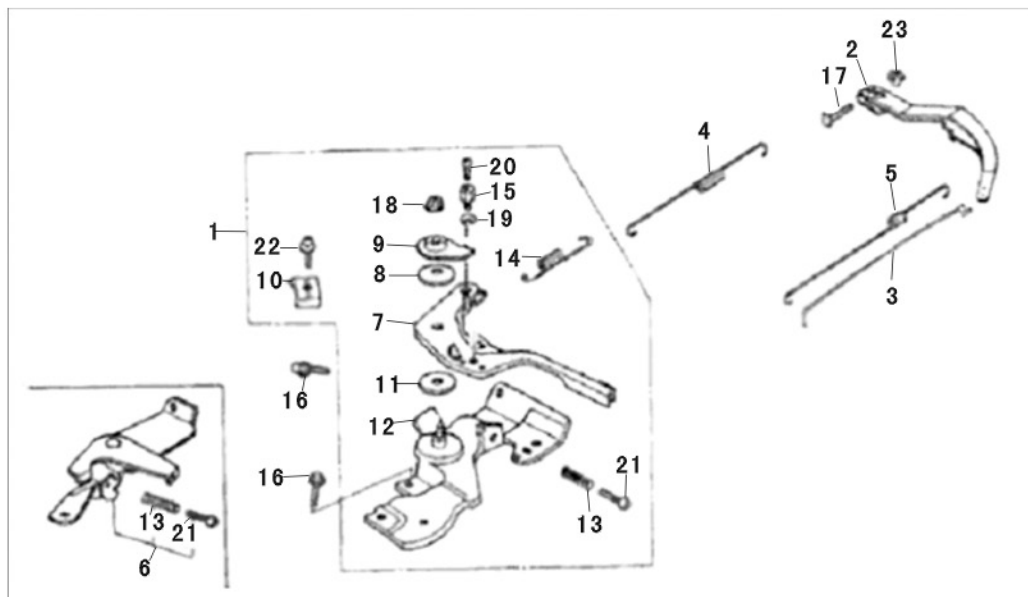


GAS TANK ASSEMBLY

REF NO.	PART NO.	DESCRIPTION	REGD NO.
1	JF168-N-01	FUEL TANK COMP.	1
2	JF168-N-02	FUEL FILLER CAP COMP.	1
3	JF168-N-03	FLANGE NUT (M6)	2
4	JF168-N-04	TUBE CLIP	2
5	JF168-N-05	FUEL TUBE	1
6	JF168-N-06	SUPPORTER RUBBER	1
7	JF168-N-07	FLANGE BOLT (M6×25)	1
8	JF168-N-08	FUEL TANK JOINT	1
9	JF168-N-09	O-RING (14mm)	1
10	JF168-N-10	FUEL FILTER	1
11	JF168-N-11	FUEL FILTER CAP PACKING	1

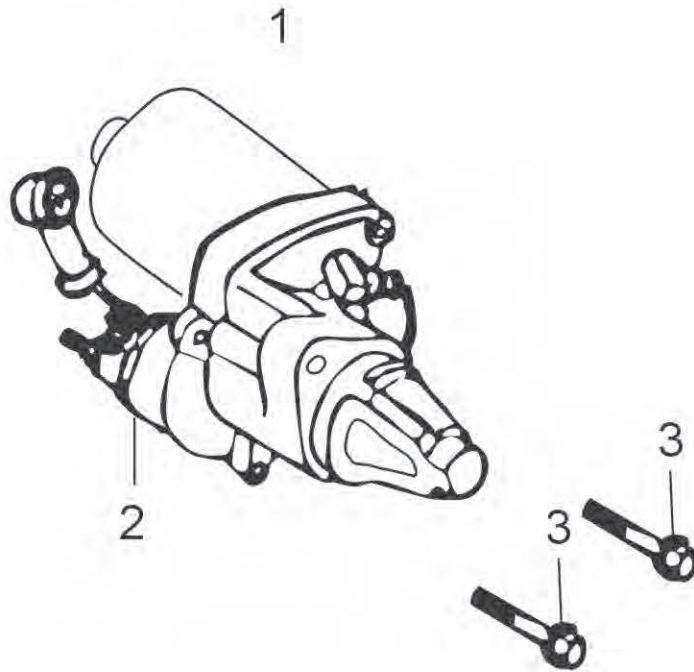


FLYWHEEL ASSEMBLY				
REF NO.	PART NO.	DESCRIPTION	REGD NO.	
1	JF168-O-01A	FLYWHEEL COMP.	1	
2	JF168-O-01B	FLYWHEEL COMP.	1	
3	JF168-O-02	COOLING FAN	1	
4	JF168-O-03	STARTER PULLEY	1	
5	JF168-O-04	FLYWHEEL NUT	1	
6	JF168-O-05	IGNITION COIL ASSY.	2	
7	JF168-O-06	FLANGE BOLT (M6×25)	2	

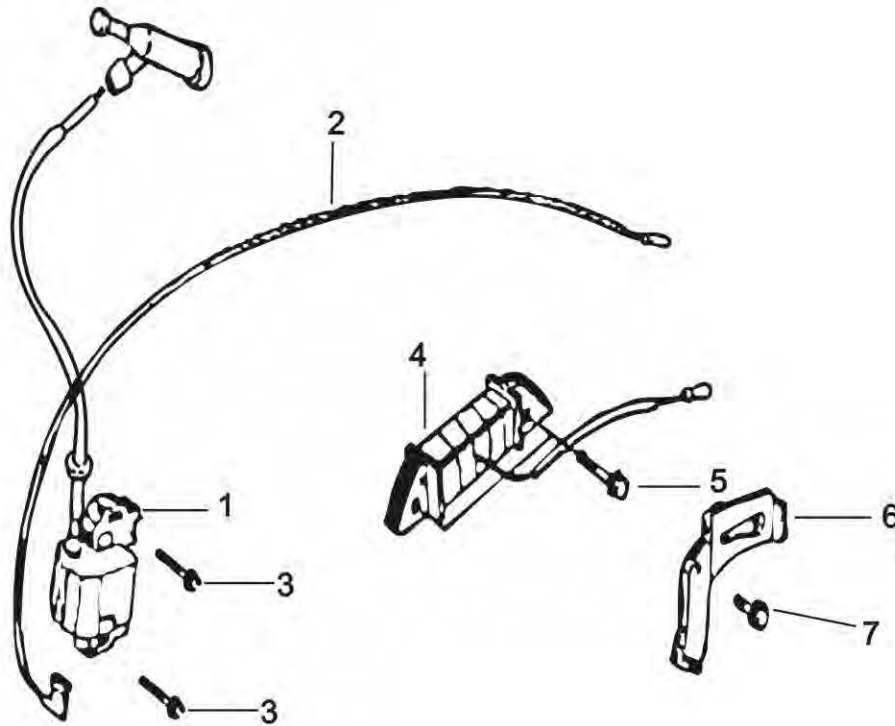


THROTTLE ASSEMBLY

REF NO.	PART NO.	DESCRIPTION	REGD NO.
1	JF168-P-01	CONTROL ASSY.	1
2	JF168-P-02	CONTROL ARM	1
3	JF168-P-03	GOVERNOR ROD	1
4	JF168-P-04	GOVERNOR SPRING	1
5	JF168-P-05	THROTTLE RETURN SPRING	1
6	JF168-P-06	CONTROL ASSY.	1
7	JF168-P-07	CONTROL LEVER	1
8	JF168-P-08	DISH SPRING	1
9	JF168-P-09	CONTROL LEVER WASHER	1
10	JF168-P-10	CABLE HOLDER	1
11	JF168-P-11	CONTROL LEVER SPACER	1
12	JF168-P-12	CONTROL BASE COMP.	1
13	JF168-P-13	CONTROL ADJUSTING SPRING	1
14	JF168-P-14	CABLE RETURN SPRING	1
15	JF168-P-15	WIRE HOLDER	1
16	JF168-P-16	FLANGE BOLT (M6×12)	2
17	JF168-P-17	QUADRATE BOLT (M6)	1
18	JF168-P-18	SELF-LOCK NUT (M6)	1
19	JF168-P-19	CIRCLIP (5mm)	1
20	JF168-P-20	PAN SCREW (M4×6)	1
21	JF168-P-21	PAN SCREW (M5×25)	1
22	JF168-P-22	PAN SCREW (M5×16)	1
23	JF168-P-23	FLANGE NUT (M6)	1



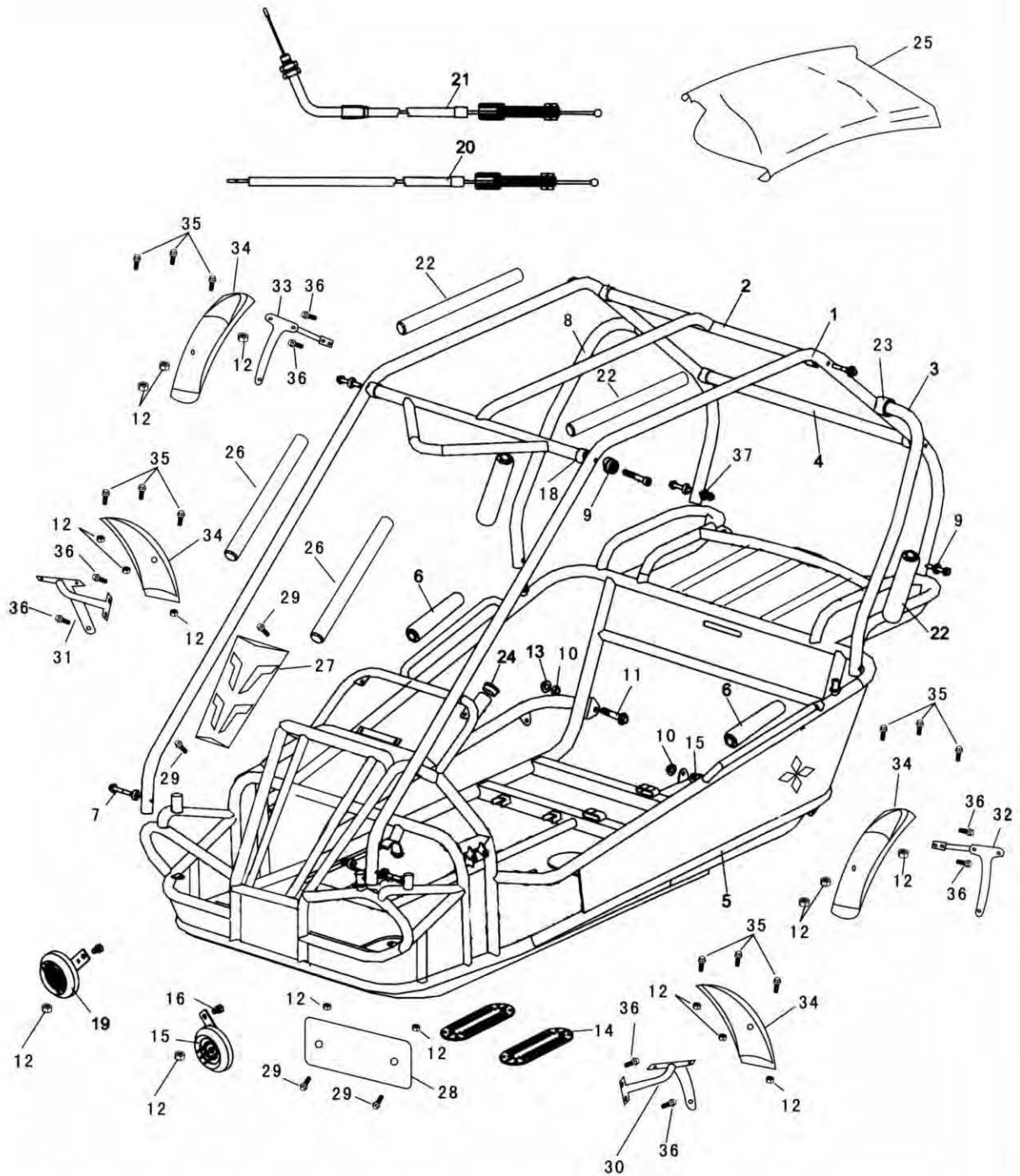
STARTER MOTOR SYSTEM ASSY.				
REF NO .	PART NO .	DESCRIPTION	REGD NO .	
1	6.000.577	UNIT STARTER MOTOR	1	
2	6.000.509	STARTER RELAY	1	
3	JF168-R3	FLANGE BOLT (M8X35)	2	



IGNITION SYSTEM ASSY.				
REF NO.	PART NO.	DESCRIPTION	REGD NO.	
1	JF168-0-05	IGNITION COIL ASSY.	1	
2	JF168-S-2	STOP SWITCH WIRE	1	
3	JF168-0-06	FLANGE BOLT (M6X25)	2	
4	Jf168-S-4	CHARGE COIL ASSY.	1	
5	Jf168-S-5	FLANGE BOLT (M6X40)	2	
6	Jf168-S-6	CORD CLAMPER	1	
7	JF168-S-7	FLANGE BOLT (M6X20)	1	

FIG. 17

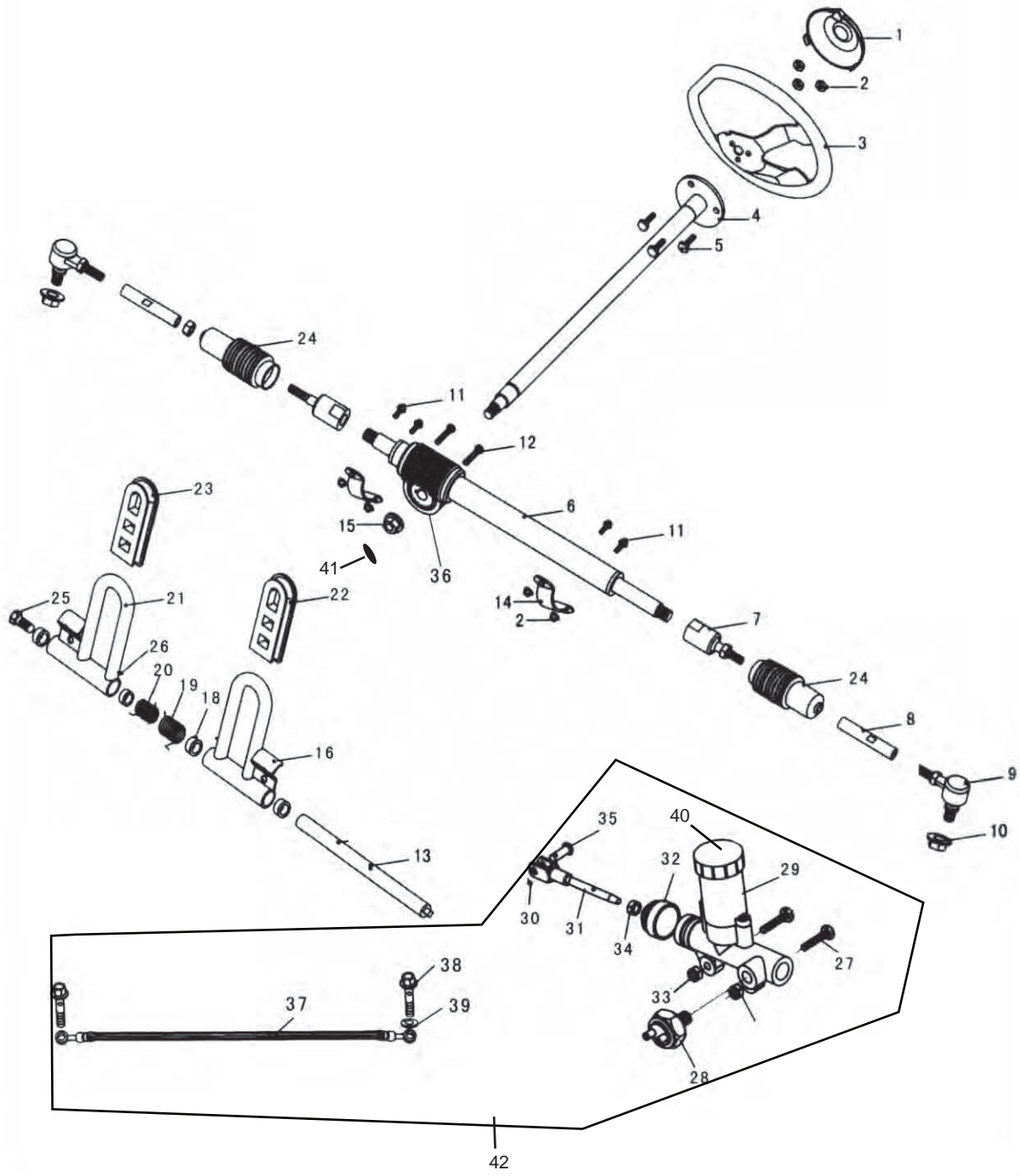
FRAME GROUP



FRAME GROUP				
REF NO .	PART NO .	DESCRIPTION	REGD NO .	
1	8.170.054	C.B.C.BARCAGE.(R.S.B)	2	
2	6.160.300	C.B.C.CUSTOM CROSS BARTOP.FR(R.S.B)	1	
3	8.170.055	C.B.C.CUSTOM J-BAR.LSIDE(R.S.B)	1	
4	8.080.078	C.B.C.CUSTOM CROSS BARTOP.RR(R.S.B)	1	
5	2.100.054	FRAME COMP.(R.S.B)	1	
6	6.000.189	FOAM RADDING-1	2	
7	9.129.850	ALLEN HEAD BOLT M8x1.25x50	14	
8	8.170.056	C.B.C.CUSTOM J-BAR.RSIDE(R.S.B)	1	
9	7.0101.049	BAR CAGE WASHER,CAP	20	
10	9.200.010	NUTM10	5	
11	9.110.068	FLANGE BOLTM10x1.25x68	2	
12	9.210.008	NUT M6	16	
13	9.220.010	LOCKING FLANGE NUT,M10	2	
14	7.020.045	RUBBER FOOLPLAIE	4	
15	9.110.016	FLANGE BOLT M10x1.25x16	3	
16	9.106.012	FLANGE BOLT M6x12	2	
17	6.000.175	HORN.L	1	
18	7.010.017	TUBE SEAT ϕ 25	6	
19	6.000.174	HORN.H	1	
20	6.100.317	THROTTLE CABLE COMP.	1	
21	6.130.134	CHOKE CABLE COMP	1	
22	6.000.319	FOAM RADDING-2	2	
23	7.110.016	TUBE SEAT ϕ 28	2	
24	7.010.006	STEERINGSHAFT BUSH	1	
25	6.000.320-80	BIKINI TOP	1	
26	7.020.111	FOAM PADDING-3	2	
27	9.131.192	DECORATION PLATE I	1	
28	8.147.162	DECORATION PLATE II	1	
29	9.106.020	BOLT M6*20	4	
30	6.000.067-80	FRONT FENDER BRACKET,L	1	
31	6.000.102-80	FRONT FENDER BRACKET,R	1	
32	6.000.101-80	REAR FENDER BRACKET,L	1	
33	6.000.068-80	REAR FENDER BRACKET,R	1	
34	6.000.080	FENDER	4	
35	9.106.016	BOLT-WASHER M6*16	12	
36	9.106.012	BOLT-WASHER M6*12	8	
37	9.220.008	NUT M8	6	
38	6.000.111	REAR REFLECTOR	2	
39	6.000.104-80	HEADLIGHTS (ROUND)	2	
	6.000.104-T	HEADLIGHTS (RECTANGLE LED)	2	

FIG.18

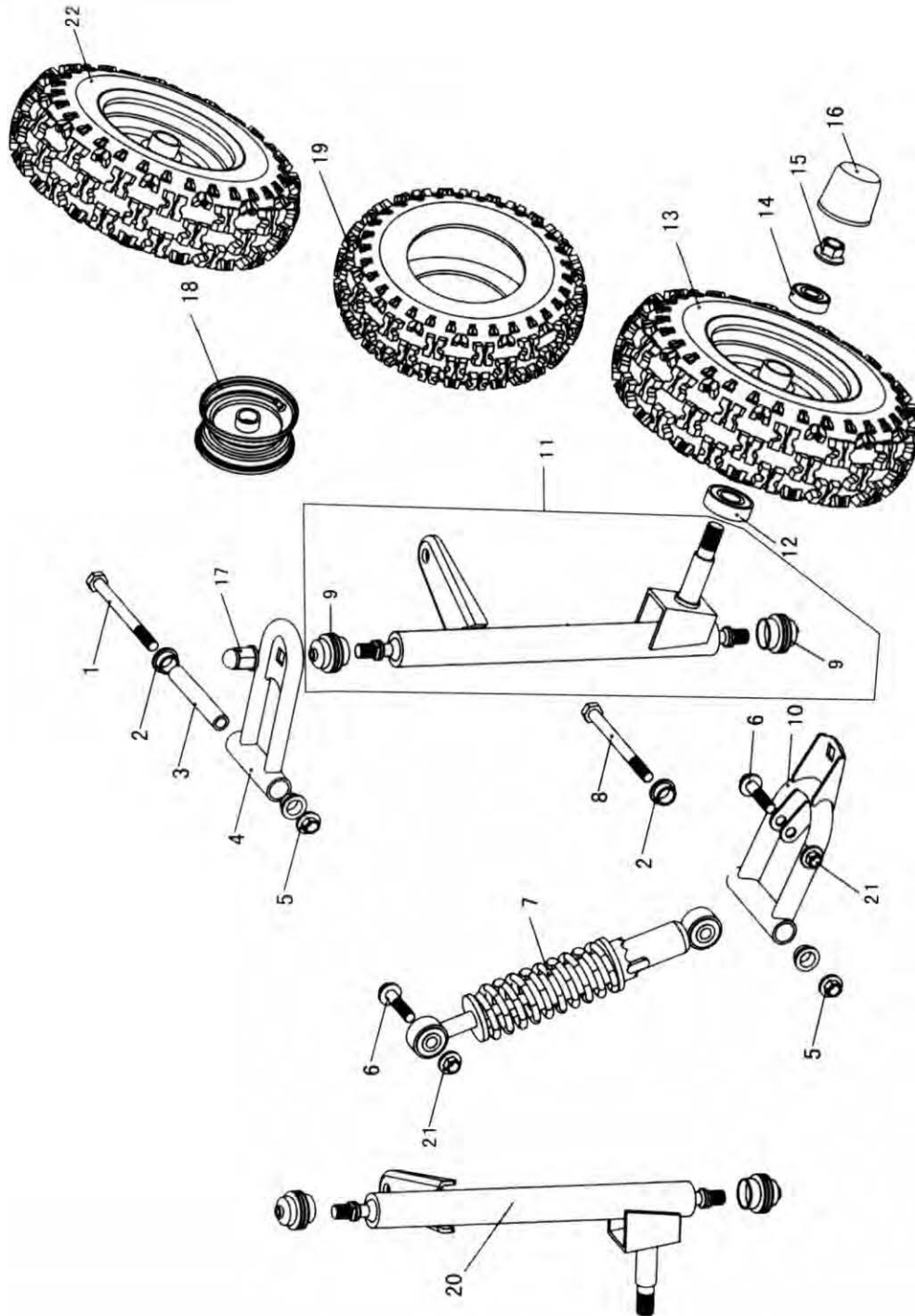
STEERING SHAFT ASSY.



STEERING SHAFT ASSY.				
REF NO .	PART NO .	DESCRIPTION	REGD NO .	
1	7.010.056	STEERING BOLT COVER	1	
2	9.210.006	LOCKING NYLON NUT M6	7	
3	7.020.057	STEERING WHEEL	1	
4	2.000.056	STEERING-SHAFT	1	
5	9.100.616	BOLT M6 x16	3	
6	4.100.024	STEERING GEAR	1	
7	6.000.180	STEERING BALL JOINT	2	
8	8.010.135	TIE ROD	2	
9	6.000.181	ROD END	2	
10	9.210.008	LOCKING NYLON NUT M8	2	
11	9.106.020	FLANGE BOLT,M6 x20	4	
12	9.100.512	BOLT,M5 x12	2	
13	9.500.008	ROLL PIN ϕ 3 x 20	1	
14	8.020.130	STEERING GEAR BRACKET(R.S.B)	2	
15	9.220.012	LOCKING FLANGE NUT M12	1	
16	4.000.044	BRALE PEDAL COMP.	1	
18	7.010.003	PEDAL BUSH	4	
19	8.040.011	BRAKE PEDAL RETURN SPRING,R	1	
20	8.040.010	THROTTLE PEDAL RETURN SPRING,L	1	
21	9.500.218	THROTTLE PEDAL COMP	1	
22	7.020.043	RED BRAKE PEDAL PAD	1	
23	7.020.044	GREEN THROTTLE PEDAL PAD	1	
24	7.020.059	STEERING BALL JOINT DUST COVER	2	
25	9.129.814	ALLEN HEAD BOLT M8 x 1.25 x 14	1	
26	9.500.007	POLL PIN 3 x 16	2	
27	9.906.625	BOLT M6 x 25	2	
28	6.000.304	BRAKE LAMP SWITCH ASSY.	1	
29	6.000.305	MASTER CYLINDER	1	
30	9.500.218	COTTER PIN	1	
31	6.000.306	CYIINDER ROD	1	
32	7.020.076	DUST COVER	1	
33	9.210.006	LOCKING NYLON NUT M8	2	
34	9.200.006	HEX NUT M6	1	
35	6.000.308	LOCKING ROLL PIN	1	
36	4.010.001	PLASTIC STERING GEAR HOLDER	1	
37	6.000.010	BRAKE HOSE ASSY	1	
38	9.700.004	BANJO BOLT M10 X 24	2	
39	9.300.010	WASHER ϕ 10	4	
40	6.000.305-C	MASTER CYLINDER CAP		
41	7.020.082	DUST COVER		
42	6.000.504	COMPLETE BRAKE SYSTEM WITH CALIPER		

FIG.19

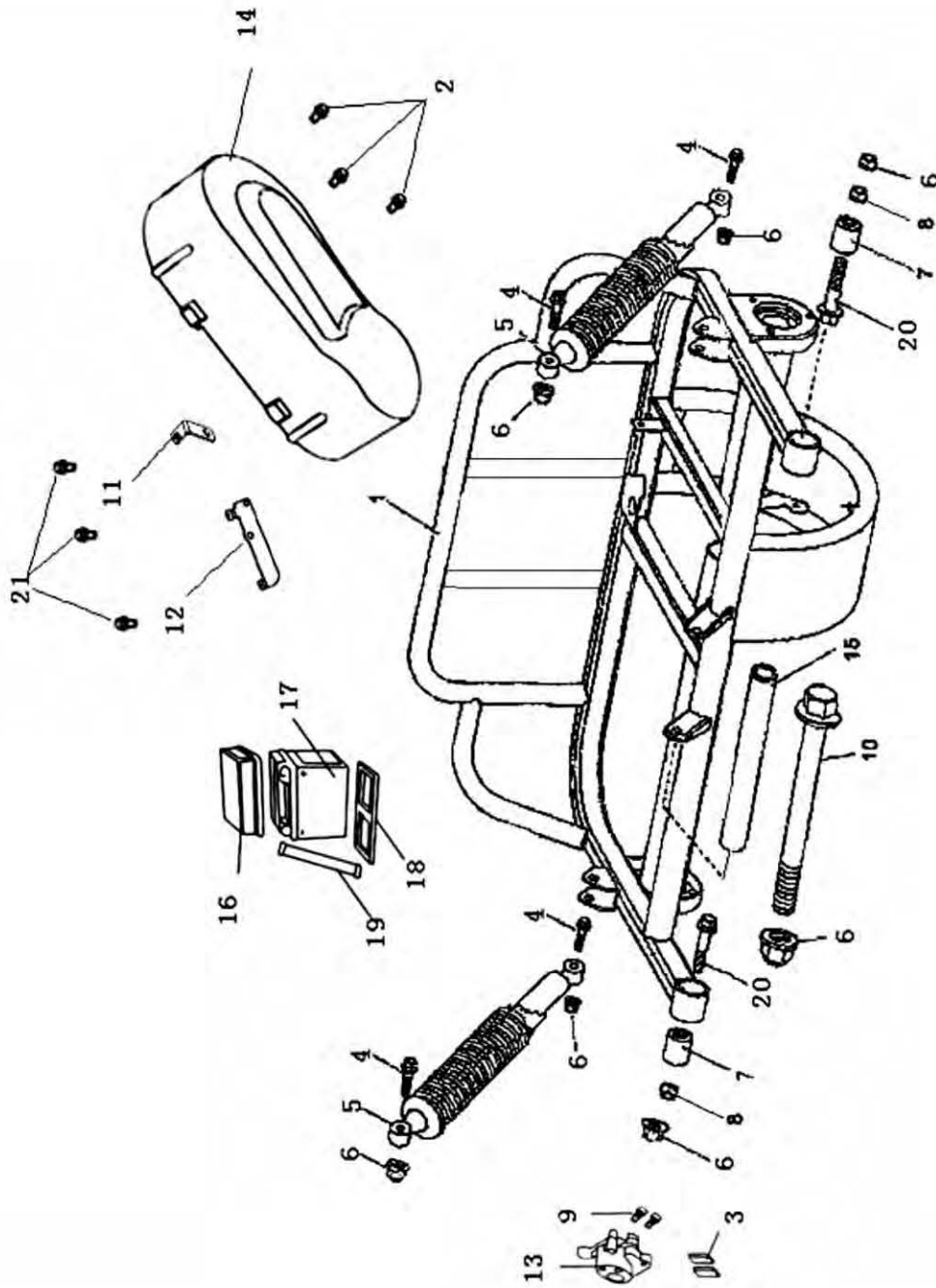
SUSPENSION ARM ASSY.



SUSPENSION ARM ASSY.				
REF NO .	PART NO .	DESCRIPTION	REGD NO .	
1	9.108.105	FLANGE BOLOT M8 x 1.25 x 105	2	
2	7.010.003	UPPER SUSPENSION ARM BUSH	8	
3	8.010.015	UPPER SUSPENSION ARM COLLAR	2	
4	4.000.047	UPPER SUSPENSION ARM	2	
5	9.220.008	LOCKING FLANGE UNT.M8	4	
6	9.110.040	FLANGE BOLT M10 x 40	4	
7	6.100.325	CUSHION ASS' Y.FR	2	
8	9.708.145	FLANGE BOLT M8x1.25x145	2	
9	7.020.061	BALL HEAD DUST SEAL	4	
10	4.000.041	LOWER SUSPENSION ARM ASS' Y	2	
11	2.000.055-80	SPINDLE AND STRUT SUPPORT,R	1	
12	9.030.010	BEARING 6202	2	
13	6.100.309	FRONT WHEEL ASS' Y.L.	1	
14	9.030.009	BEARING 6201	2	
15	9.220.012	LOCKING FLANGE NUT M12	2	
16	7.020.039	HUB COVER FR	2	
17	8.010.141	ACORN NUT M10	2	
18	6.100.310	RIM,FR	2	
19	6.000.311	TIRE,FR 4.1-6	2	
20	2.0000.057	SPINDLE AND STRUT SUPPORT,L	1	
21	9.220.010	LOCKING FLANGE M10	4	
22	6.100.321	FRONT WHEEL ASSY.R.	1	

FIG.20

REAR SWING ARM

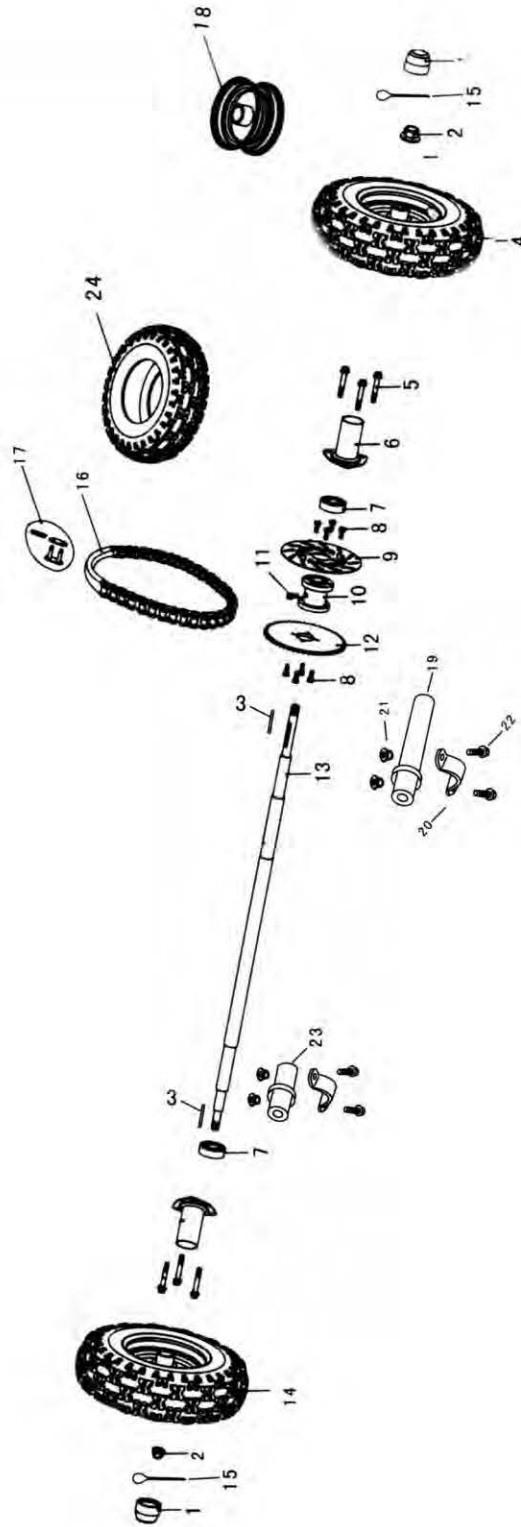


REAR SWING ARM

REAR SWING ARM				
REF NO .	PART NO .	DESCRIPTION	REGD NO .	
1	4.000.045	REAR SWING ARM	1	
2	9.106.012	FLANGE BOLT M6X12	3	
3	7.020.016	RR. BRAKE PAD SET	1	
4	9.110.040	FLANGE BOLT M10X1.25X40	4	
5	6.000.322	CUSHION ASSY. RR.	2	
6	9.220.010	LOCKING NUT M10X1.25	7	
7	7.020.077	BUSHING, SWING ARM ISOLATOR	2	
8	9.210.008	NUT M10X1.25	2	
9	9.908.012	BOLT M8X12	2	
10	9.110.180	BOLT M10X1.25X180	1	
11	7.100.001	FIXER PLASTIC I	1	
12	7.100.002	FIXER PLASTIC II	1	
13	6.000.028	RR. CALIPER ASSY.	1	
14	8.110.021	DRIVE COVER PLASTIC	1	
15	8.146.066	COLLAR	1	
16	7.010.028	BATTERY COVER	1	
17	6.000.323	BATTERY 12V 6.5AH	1	
18	7.020.023	LOWER BATTERY CUSHION	1	
19	7.020.023	BATTERY STRAP	1	
20	9.110.055	FLANGE BOLT M10X1.25X65	2	
21	9.108.016	FLANGE BOLT M8X16	3	

FIG.21

REAR HOUSING

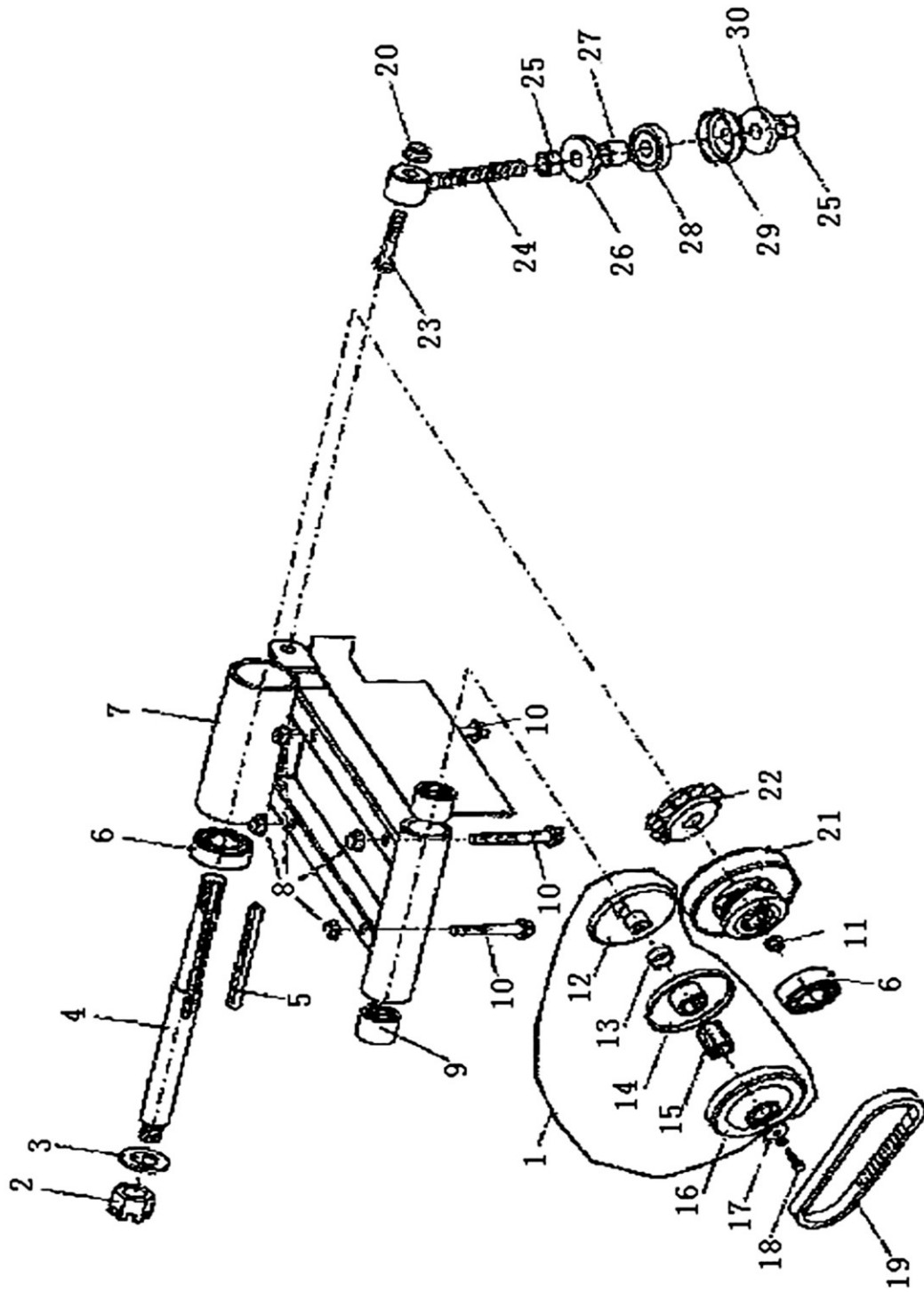


REAR HOUSING

REAR HOUSING				
REF NO .	PART NO .	DESCRIPTION	REGD NO .	
1	7.020.039	HUB COVER,RR	2	
2	9.800.016	CASTLE NUT M16	1	
3	8.010.138	AXLE KEY	2	
4	6.100.315	REAR WHEEL ASSY R.	1	
5	9.108.016	FLANGE BOLT M8 x1.25x16	6	
6	6.000.195	AXLE COVER,R	1	
7	9.030.002	BEARING,6204	2	
8	9.108.020	FLANGE BOLT M8x20	8	
9	8.010.201	DISC BRAKE,RR	1	
10	8.010.202	REAR AXLE HUB	1	
11	9.110.010	ALLEN HEAD BOLOT M10x1.25x10	1	
12	8.010.200	REAR SPROCKET	1	
13	8.010.199-T	REAR AXLE	1	
14	6.100.316	REAR WHEEL ASS' Y.L	1	
15	9.500.440	COTTER PIN ϕ 3.5x40	2	
16	7.160.016	DRIVE CHAIN	1	
17	6.000.324	MASTER LINK	1	
18	6.100.333	RIM,RR L	1	
19	9.010.012	PROTECTOR II	1	
20	8.020.014	BRACKET,STEERING GEAR	2	
21	9.220.008	LOCKING FLANGE NUT.M8	4	
22	9.106.020	BOLT-WASHER M6x20	4	
23	9.010.011	PROTECTOR I	1	
24	7.020.078	REAR TIRE 16x7.8	2	

FIG.22

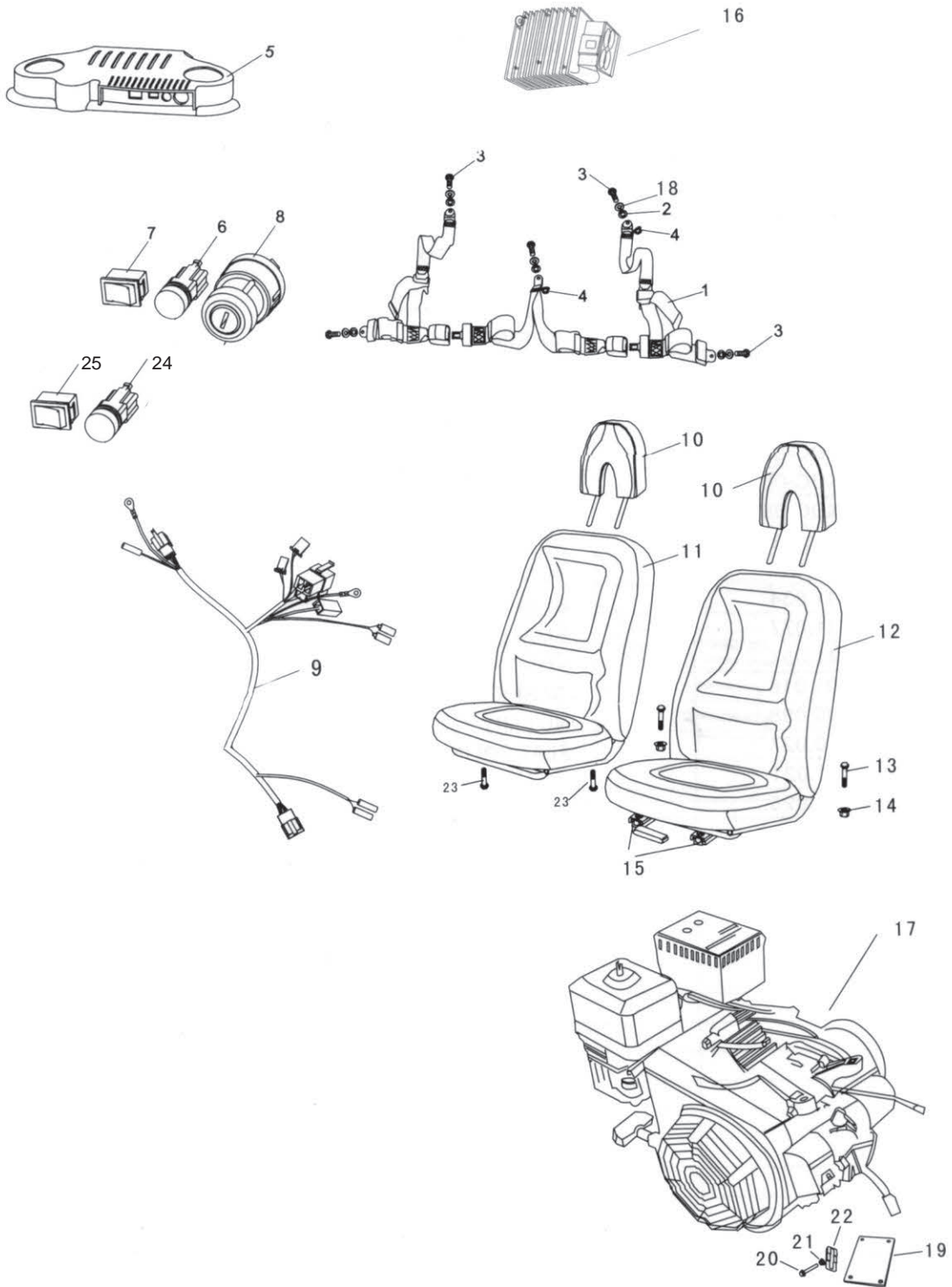
CLUTCH ASSY



CLUTCH ASSY				
REF NO .	PART NO .	DESCRIPTION	REGD NO .	
1	9.500.001	FRONT CLUTCH 80T	1	
2	9.220.012	CASTLE NUT M14X1.5	1	
3	9.300.012	WASHER ϕ 14	1	
4	8.011.057	SHAFT, SPROCKET & DRIVE PULLEY	1	
5	8.010.027	KEY 5X75	1	
6	6.100.065	BEARING 6004	2	
7	8.000.001	ENGINE MOUNTING PLATE-METALLIC BLUE	1	
8	9.220.008	FLANGE LOCKING NUT M8	4	
9	7.020.077	BUSHING	2	
10	9.108.050	BOLT M8X55	4	
11	9.220.016	LOCKING NUT M16X1.5	1	
12	AJKDC-06-01	SHEAVE, STATIONARY	1	
13	AJKDC-02	BUSHING	1	
14	AJKDC-03-01	SHEAVE, MOVEABLE	1	
15	AJKDC-05	HUB	1	
16	8.147.002	DRUM	1	
17	9.500.009	WASHER, ϕ 8	1	
18	JF168-D-04	BOLT, M8X45L	1	
19	9.110.018	BELT	1	
20	9.220.016	FLANGE LOCKING NUT M10X1.25	1	
21	9.500.010	REAR CLUTCH	1	
22	8.011.077	SPROCKET, 10T DRIVEN	1	
23	9.108.045	BOLT M10X1.25X40	1	
24	8.147.008	CHAIN ADJUSTER	1	
25	9.220.012	NUT M12X1.25	2	
26	8.010.042	WASHER-CHAIN ADJUSTER	1	
27	8.010.041	BUSHING-CHAIN ADJUSTER	1	
28	7.020.001	CAP WASHER-CHAIN ADJUSTER	1	
29	8.020.045	BOTTOM CAP WASHER-CHAIN ADJUSTER	1	
30	9.300.012	WASHER. FLAT ϕ 12	1	

FIG. 23

WIRE HARNESS/ELECTRICAL/SEAT/ENGINE



WARNING STICKERS



WARNING STICKERS			
REF NO.	PART NO.	DESCRIPTION	REGD NO.
1	9.090	LABEL SEAT BELT	1
2	9.090	LABEL NO CLIMBING	1
3	9.090	LABEL WARNING	1
4	9.090	LABEL CHAIN GUARD	1
5	9.090	LABEL WARNING	1