

Illustrated Parts Manual

6150

150cc Fun Kart



RECOMMENDED MINIMUM OPERATOR AGE: 12

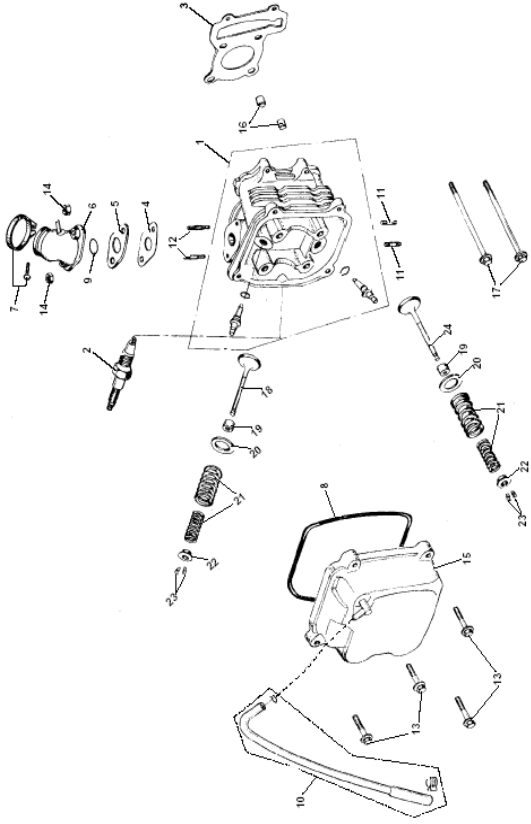
THIS VEHICLE IS FOR OFF-ROAD USE ONLY

BEFORE OPERATING THIS VEHICLE, THE OWNER AND EACH OPERATOR MUST UNDERSTAND THIS VEHICLE WAS NOT DESIGNED OR MANUFACTURED TO MEET SPECIFICATIONS FOR USE ON PUBLIC ROADS, STREETS, HIGHWAYS, AND THOROUGHFARES. THE OWNER AND EACH OPERATOR MUST READ AND UNDERSTAND ALL THE INSTRUCTIONS FOR PROPER ASSEMBLY AND SAFE OPERATION, AS WELL AS THE INSTRUCTIONS CONCERNING THE ENGINE AND ALL OTHER PORTIONS OF THE VEHICLE. CHILDREN MUST BE OF AGE 12 OR OLDER AND SUPERVISED BY AN ADULT AT ALL TIMES WHEN USING THIS FUN-KART.

THIS VEHICLE IS NOT DESIGNED FOR USE ON RENTAL TRACKS OR RACING

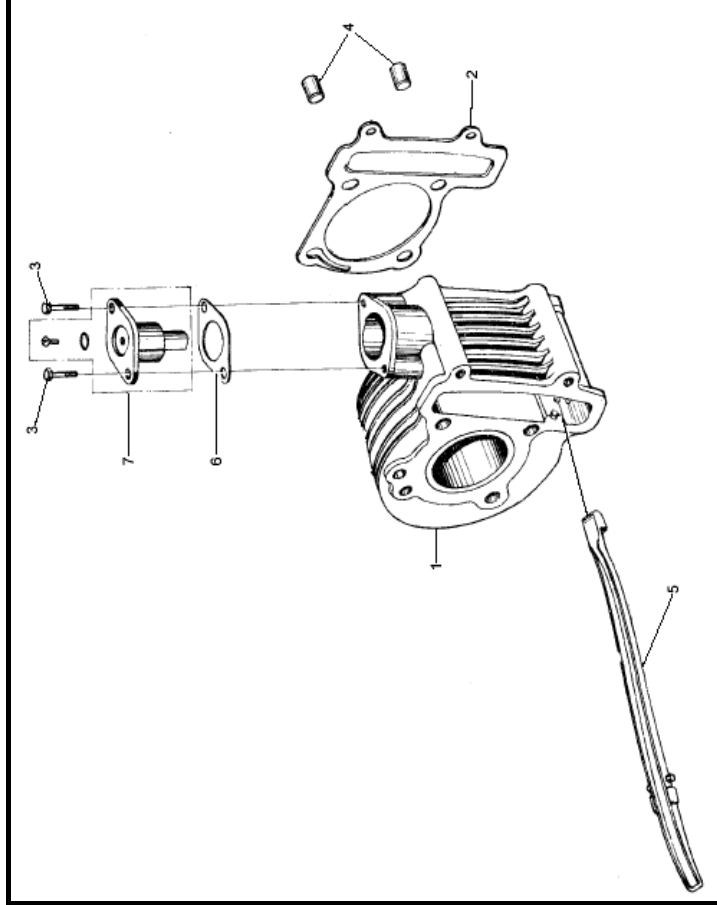
Section 1 - Cylinder Head Assembly

| Ref. # | Part # | Description | Qty. |
|--------|--------|---------------------------------------|------|
| 1 | 14254 | Head, Cylinder - 150cc | 1 |
| 2 | 50304 | Plug, Spark - NGK C7HSA | 1 |
| 3 | 14255 | Gasket, Cylinder Head - 150cc | 1 |
| 4 | 14256 | Gasket, Carb Insulator - 150cc | 1 |
| 5 | 14257 | Insulator, Carb - 150cc | 1 |
| 6 | 14258 | Manifold, Intake - 150cc | 1 |
| 7 | 14259 | Clamp, Carb Hose - 150cc | 1 |
| 8 | 14260 | Gasket, Valve Cover - 150cc | 1 |
| 9 | 14261 | O-Ring, M27x2 Rubber | 1 |
| 10 | 14262 | Tube, Breather - 150cc | 1 |
| 11 | 14263 | Stud, M6 x 1.00 x 18 | 2 |
| 12 | 14264 | Stud, M6 x 1.00 x 50 | 2 |
| 13 | 50003 | Bolt, M6 x 1.00 x 25 FHCS | 4 |
| 14 | 50024 | Nut, M6 x 1.00 Hex Flange | 2 |
| 15 | 14265 | Cover, Valve - 150cc | 1 |
| 16 | 14266 | Pin, M10 x 16 Dowel | 2 |
| 17 | 50087 | Bolt, M6 x 1.00 x 100 FHCS | 2 |
| 18 | 14267 | Valve, Intake - 150cc | 1 |
| 19 | 14268 | Seal, Valve Stem - 150cc | 2 |
| 20 | 14269 | Seat, Valve Spring Outer - 150cc | 2 |
| 21 | 14270 | Spring, Outer and Inner Valve - 150cc | 2 |
| 22 | 14271 | Retainer, Valve Spring - 150cc | 2 |
| 23 | 14272 | Keeper, Valve Spring - 150cc | 4 |
| 24 | 14273 | Valve, Exhaust - 150cc | 1 |



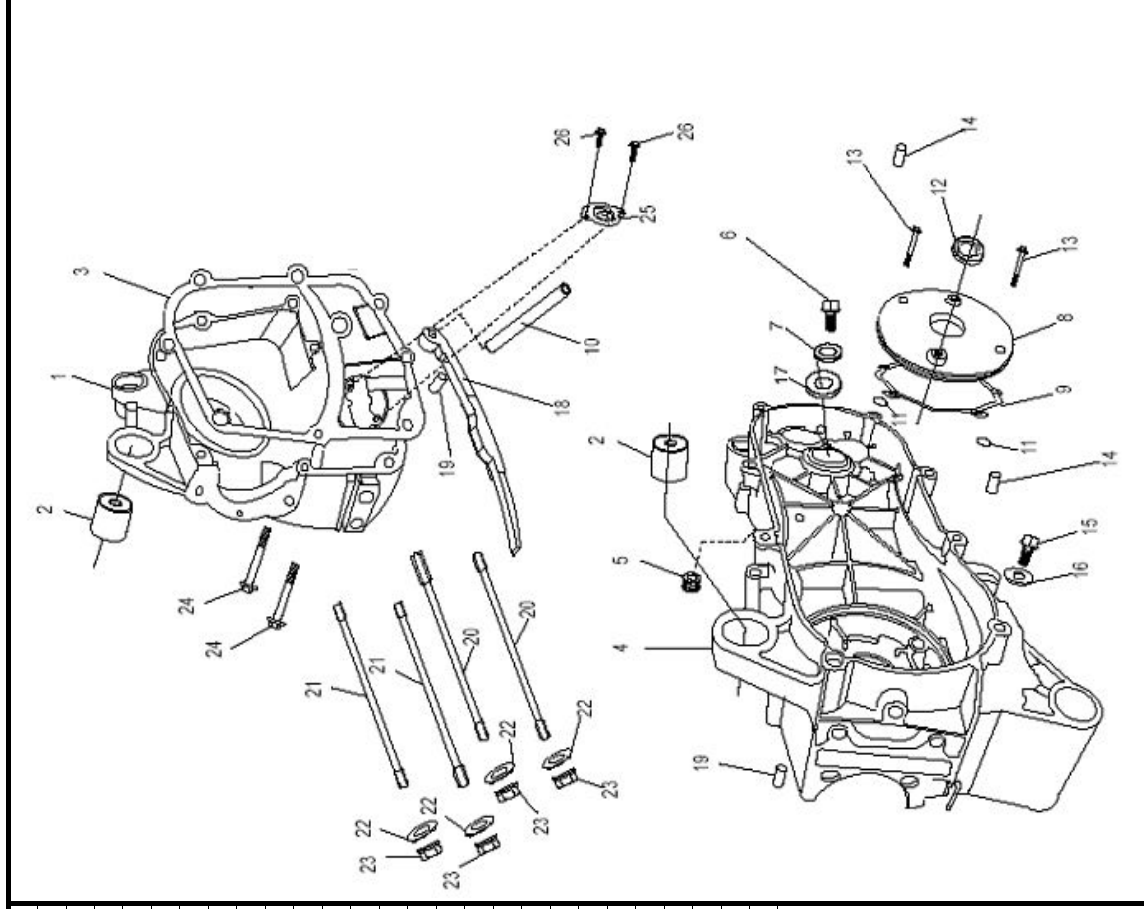
Section 2 - Cylinder

| Ref. # | Part # | Description | Qty. |
|--------|--------|-------------------------------------|------|
| 1 | 14317 | Cylinder - 150cc | 1 |
| 2 | 14582 | Gasket, Cylinder Base - 150cc | 1 |
| 3 | 50032 | Bolt, M6 x 1.00 x 22 FHCS | 2 |
| 4 | 14266 | Pin, M10 x 16 Dowel | 2 |
| 5 | 14276 | Tensioner, Cam Chain - 150cc | 1 |
| 6 | 14275 | Gasket, Cam Chain Tensioner - 150cc | 1 |
| 7 | 14274 | Asm, Cam Chain Tensioner - 150cc | 1 |



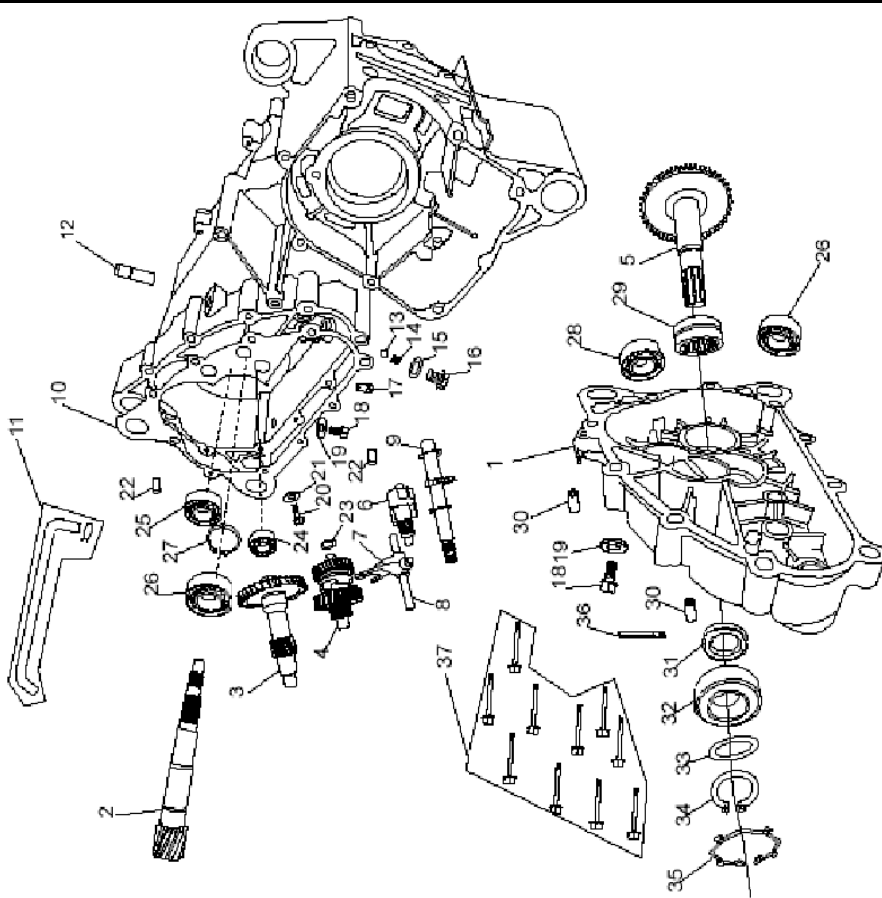
Section 3 - Engine Crankcase

| Ref. # | Part # | Description | Qty. |
|--------|--------|--------------------------------|------|
| 1 | 14277 | Housing, Crankcase RH - 150cc | 1 |
| 2 | 14278 | Bushing, Engine Hanger - 150cc | 2 |
| 3 | 14279 | Gasket, Crankcase - 150cc | 1 |
| 4 | 14280 | Housing, Crankcase LH - 150cc | 1 |
| 5 | 14558 | Grommet | 1 |
| 6 | 14281 | Bolt, M10 x 1.25 x 15 FHCS | 1 |
| 7 | 14282 | Washer, M10.2 x 18 x 1.3 Flat | 1 |
| 8 | 14283 | Cover, Small Left | 1 |
| 9 | 14284 | O-Ring, M108 x 2 | 1 |
| 10 | 14559 | Pin | 1 |
| 11 | 14285 | O-Ring, M6 x 1.8 | 2 |
| 12 | 50104 | Seal, M19.8 x 30 x 5 | 1 |
| 13 | 14286 | Bolt, M6 x 1.00 x 18 FHCS | 4 |
| 14 | 14287 | Pin, M10 x 14 Dowel | 2 |
| 15 | 14288 | Bolt, M12 x 1.5 Special | 1 |
| 16 | 14289 | Washer, M12 Flat | 2 |
| 17 | 14290 | Seal, M20 x 32 x 6 | 2 |
| 18 | 14276 | Tensioner, Cam Chain - 150cc | 1 |
| 19 | 50016 | Pin, M8 x 14 Dowel | 2 |
| 20 | 14291 | Stud, M8 x 1.25 x 195.5 | 2 |
| 21 | 14292 | Stud, M8 x 1.25 x 187.5 | 2 |
| 22 | 14293 | Washer, M8 Flat | 4 |
| 23 | 14294 | Nut, M8 x 1.25 Flange Head | 4 |
| 24 | 14295 | Bolt, M6 x 1.00 x 50 FHCS | 2 |
| 25 | 14501 | Spacer, Oil - 150cc | 1 |
| 26 | 14296 | Bolt, M6 x 1.00 x 12 FHCS | 2 |



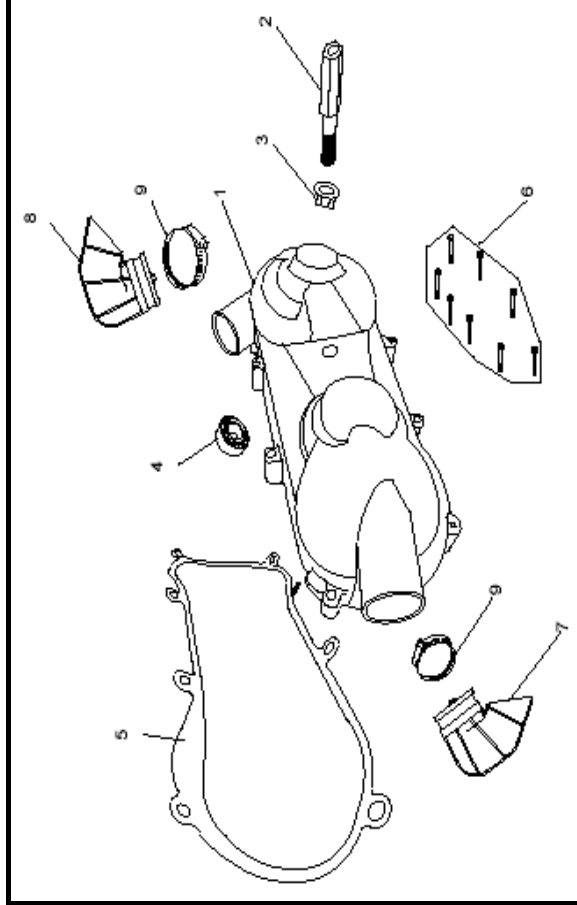
Section 4 - Transmission

| Ref. # | Part # | Description | Qty. |
|--------|--------|---------------------------------------|------|
| 1 | 14297 | Housing, Outer Transmission - 150cc | 1 |
| 2 | 14298 | Gear, Pri Drive - 150cc | 1 |
| 3 | 14299 | Gear, Sec Drive - 150cc | 1 |
| 4 | 14300 | Asm, Shift Gear Cluster FIN/R - 150cc | 1 |
| 5 | 14301 | Gear, Final Drive Shaft | 1 |
| 6 | 14302 | Asm, Shift Selector - 150cc | 1 |
| 7 | 14303 | Pawl, Shift Selector - 150cc | 1 |
| 8 | 14304 | Rod, Shift Pawl - 150cc | 1 |
| 9 | 14305 | Shaft, Shifter Cam - 150cc | 1 |
| 10 | 14306 | Gasket, Transmission Case - 150cc | 1 |
| 11 | 14307 | Tube, Transmission Vent | 1 |
| 12 | 14308 | Nipple, Vent Tube | 1 |
| 13 | 14309 | Ball, Shift Indent - 150cc | 1 |
| 14 | 14310 | Spring, Shift Indent - 150cc | 1 |
| 15 | 14311 | Gasket, Shift Indent - 150cc | 1 |
| 16 | 14312 | Bolt, Shift Indent - 150cc | 1 |
| 17 | 14502 | Outlet, Drain - 150cc | 1 |
| 18 | 14313 | Bolt, Drain/Fill Plug - 150cc | 2 |
| 19 | 14314 | Gasket, Trans Drain Plug - 150cc | 2 |
| 20 | 14296 | Bolt, M6 x 1.00 x 12 FHCS | 2 |
| 21 | 14315 | Washer, M6 Flat | 2 |
| 22 | 14287 | Pin, M10 x 14 Dowel | 2 |
| 23 | 14316 | Spacer, M15 Inner Gear | 1 |
| 24 | Y00055 | Bearing, 6202 15 x 35 x 11 | 1 |
| 25 | 50102 | Bearing, 6203 17 x 40 x 12 | 1 |
| 26 | 82407 | Bearing, 6204 20 x 47 x 14 | 1 |
| 27 | 14106 | Circlip, M20 | 1 |
| 28 | 14503 | Bearing, 6302 15 x 42 x 13 | 1 |
| 29 | 14504 | Bearing, RNA4905 30 x 42 x 17 | 1 |
| 30 | 14505 | Bushing, Shock Absorbing - 150CC | 2 |
| 31 | 14318 | Seal, M30 x 40 x 6 | 1 |
| 32 | 82874 | Bearing, 6205 25 x 52 x 15 | 1 |
| 33 | 14506 | Spacer, M25 x 34 x 1 | 1 |
| 34 | 14319 | Circlip, M25 | 1 |
| 35 | 14320 | Circlip, M52 | 1 |
| 36 | 14321 | Clamp, Wire | 1 |
| 37 | 14235 | Bolt, M6 x 1.00 x 40 FHCS | 10 |

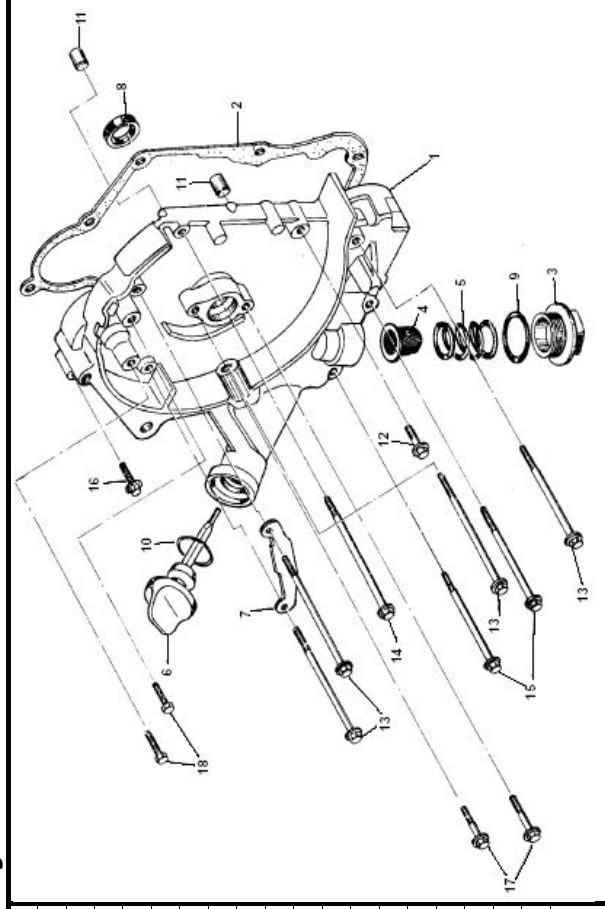


Section 5 - CVT Cover

| Ref. # | Part # | Description | Qty. |
|--------|--------|--------------------------------|------|
| 1 | 14323 | Cover, CVT - 150cc | 1 |
| 2 | 14507 | Bracket, Exhaust - 150cc | 1 |
| 3 | 14324 | Nut, M12 x 1.25 Locking Flange | 1 |
| 4 | 14508 | Bearing, 6200 10 x 30 x 9 | 2 |
| 5 | 14325 | Gasket, CVT Cover - 150cc | 1 |
| 6 | 14235 | Bolt, M6 x 1.00 x 40 FHCS | 8 |
| 7 | 14322 | Snorkel, CVT - 150cc | 1 |
| 8 | 14322 | Snorkel, CVT - 150cc | 1 |
| 9 | 14509 | Clamp, Snorkel - 150cc | 2 |



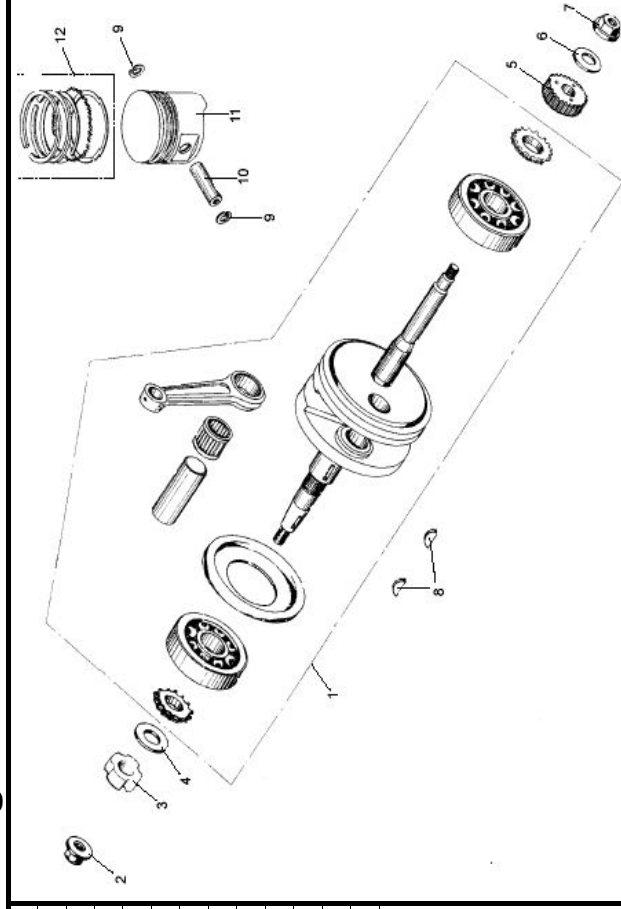
Section 6 - Outer Crankcase Assembly



| Ref. # | Part # | Description | Qty. |
|--------|--------|-----------------------------------|------|
| 1 | 14326 | Cover, Outer Crankcase RH - 150cc | 1 |
| 2 | 14327 | Gasket, Outer Crankcase - 150cc | 1 |
| 3 | 14328 | Cap, Oil Drain - 150cc | 1 |
| 4 | 14329 | Screen, Oil Filter - 150cc | 1 |
| 5 | 14330 | Spring, Oil Filter Screen - 150cc | 1 |
| 6 | 14331 | Dipstick, Oil Fill - 150cc | 1 |
| 7 | 14332 | Clamp, AC Generator - 150cc | 1 |
| 8 | 14333 | Seal, M19.8 x 30 x 5 Oil | 1 |
| 9 | 14334 | O-Ring, M30.8 x 3 | 1 |
| 10 | 14335 | O-Ring, M18 x 3 | 1 |
| 11 | 50016 | Pin, M8 x 14 Dowel | 2 |
| 12 | 14336 | Bolt, M6 x 1.00 x 28 FHCS | 1 |
| 13 | 14337 | Bolt, M6 x 1.00 x 95 FHCS | 4 |
| 14 | 14338 | Bolt, M6 x 1.00 x 100 FHCS | 1 |
| 15 | 14339 | Bolt, M6 x 1.00 x 110 FHCS | 2 |
| 16 | 14340 | Bolt, M6 x 1.00 x 35 FHCS | 1 |
| 17 | 14341 | Bolt, M6 x 1.00 x 20 FHCS | 2 |
| 18 | 14296 | Bolt, M5 x 0.75 x 12 FHCS | 2 |

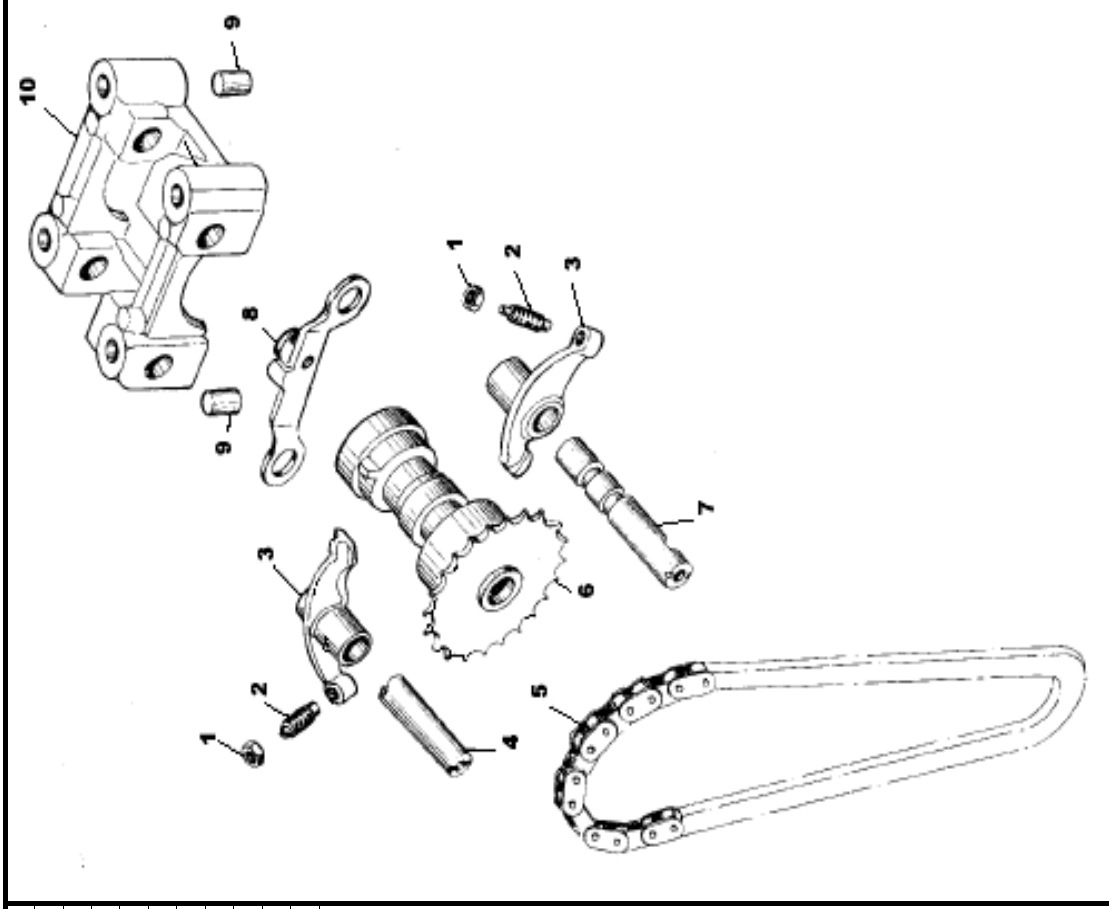
Section 7 - Piston, Crank and Connecting Rod

| Ref. # | Part # | Description | Qty. |
|--------|--------|---------------------------------|------|
| 1 | 14342 | Asm. Crank - Con Rod - 150cc | 1 |
| 2 | 14324 | Nut, M12 x 1.25 Hex Flange | 1 |
| 3 | 14510 | Nut, M22 x 1.00 Locking - 150CC | 1 |
| 4 | 14511 | Washer, M22 x 31 x 2.5 Flat | 1 |
| 5 | 14344 | Gear, Kick Drive | 1 |
| 6 | 14289 | Washer, M12 Flat | 1 |
| 7 | 14324 | Nut, M12 x 1.25 Hex Flange | 1 |
| 8 | 14512 | Key, Woodruff M4 x 14 | 1 |
| 9 | 14345 | Clip, Piston Retaining - 150cc | 2 |
| 10 | 14346 | Pin, Piston Wrist - 150cc | 1 |
| 11 | 14347 | Piston - 150cc | 1 |
| 12 | 14348 | Kit, Piston Ring - 150cc | 1 |



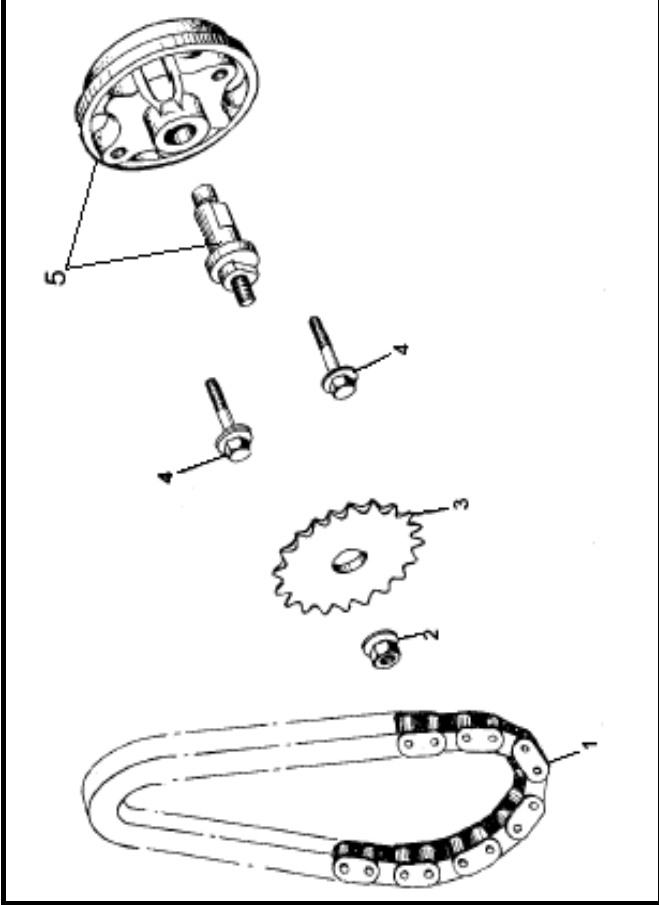
Section 8 - Camshaft Assembly

| Ref. # | Part # | Description | Qty. |
|--------|--------|-----------------------------------|------|
| 1 | 14513 | Nut, M5 x 0.5 Hex | 2 |
| 2 | 14349 | Screw, Tappet Adjustment - 150cc | 2 |
| 3 | 14350 | Arm, Valve Rocker - 150cc | 2 |
| 4 | 14351 | Shaft, Exhaust Rocker Arm - 150cc | 1 |
| 5 | 14352 | Chain, Camshaft - 150cc | 1 |
| 6 | 14353 | Camshaft - 150cc | 1 |
| 7 | 14354 | Shaft, Intake Rocker Arm - 150cc | 1 |
| 8 | 14355 | Plate, Stop - 150cc | 1 |
| 9 | 14266 | Pin, M10 x 16 Dowel | 2 |
| 10 | 14356 | Cap, Camshaft Brg - 150cc | 1 |



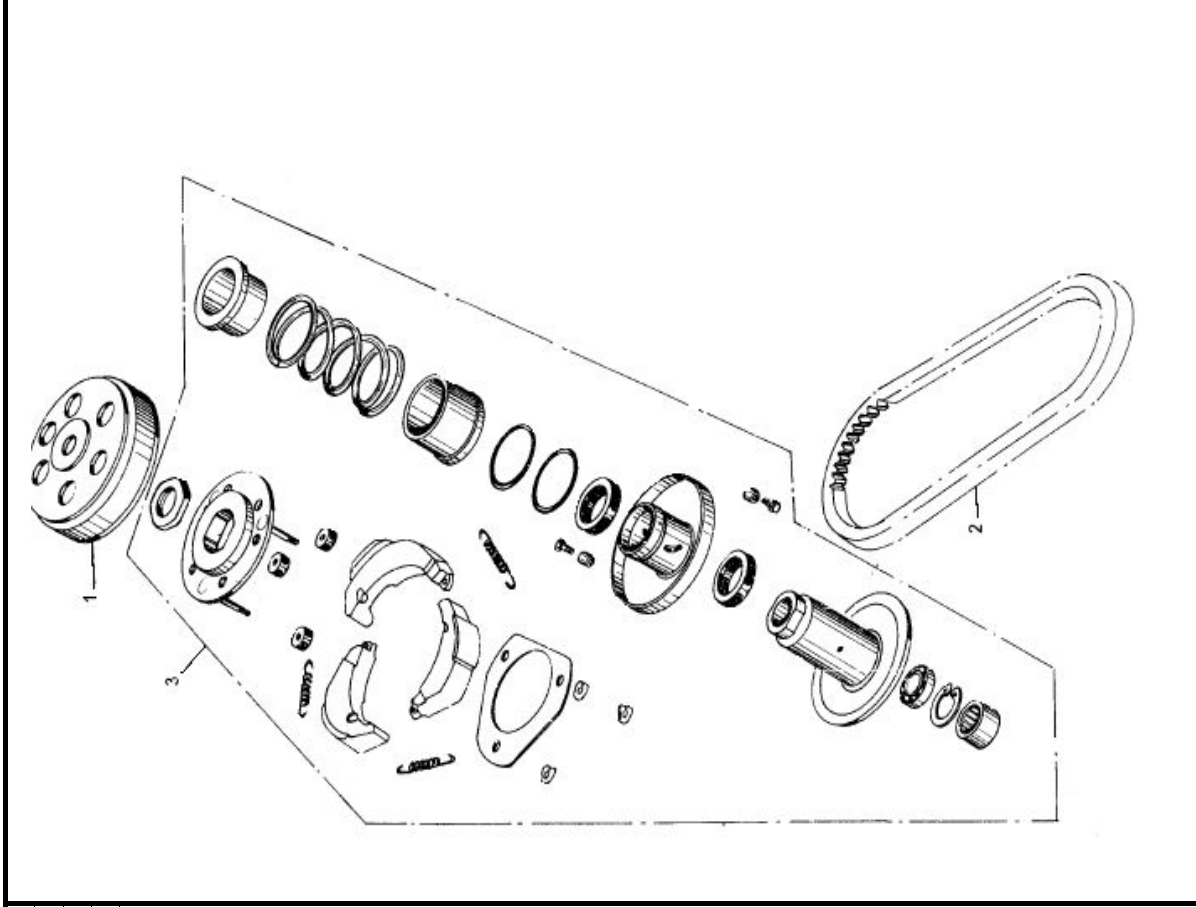
Section 9 - Oil Pump Assembly

| Ref. # | Part # | Description | Qty. |
|--------|--------|----------------------------|------|
| 1 | 14357 | Chain, Oil Pump - 150cc | 1 |
| 2 | 14358 | Nut, M6 x 1,00 Hex Flange | 1 |
| 3 | 14359 | Sprocket, Oil Pump - 150cc | 1 |
| 4 | 14360 | Bolt, M6 x 1.00 x 30 FHCS | 2 |
| 5 | 14361 | Asm, Oil Pump - 150cc | 1 |



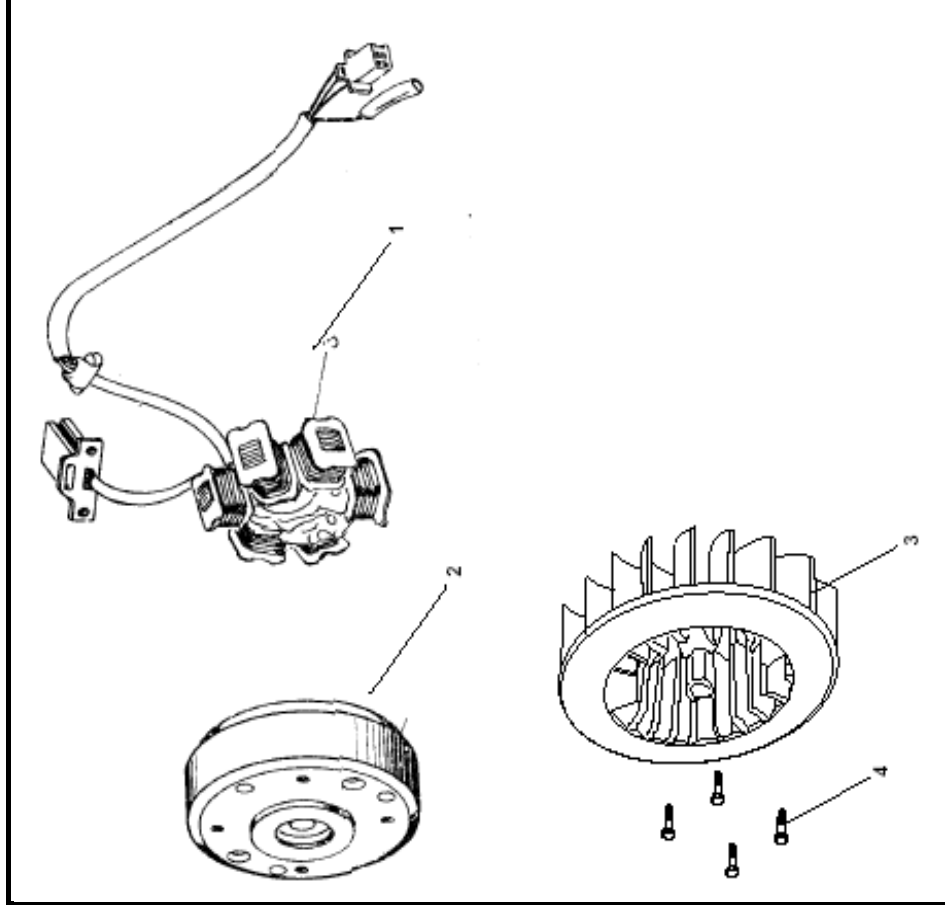
Section 10 - Driven Pulley and Clutch

| Ref. # | Part # | Description | Qty. |
|--------|--------|----------------------------|------|
| 1 | 14362 | Asm. Outer Clutch - 150cc | 1 |
| 2 | 14363 | Belt, CVT - 150cc | 1 |
| 3 | 14364 | Asm. Driven Pulley - 150cc | 1 |



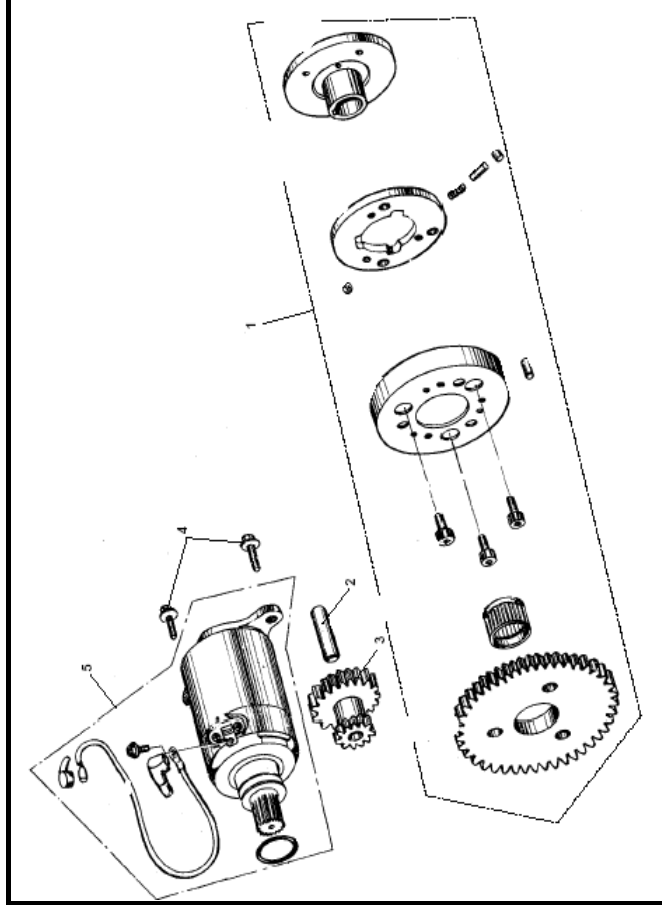
Section 11 - Engine Electrical

| Ref. # | Part # | Description | Qty. |
|--------|--------|---------------------------|------|
| 1 | 14365 | Magneto - 150cc | 1 |
| 2 | 14366 | Flywheel - 150cc | 1 |
| 3 | 14367 | Fan, Cooling - 150cc | 1 |
| 4 | 14368 | Bolt, M6 x 1.00 x 15 FHCS | 4 |



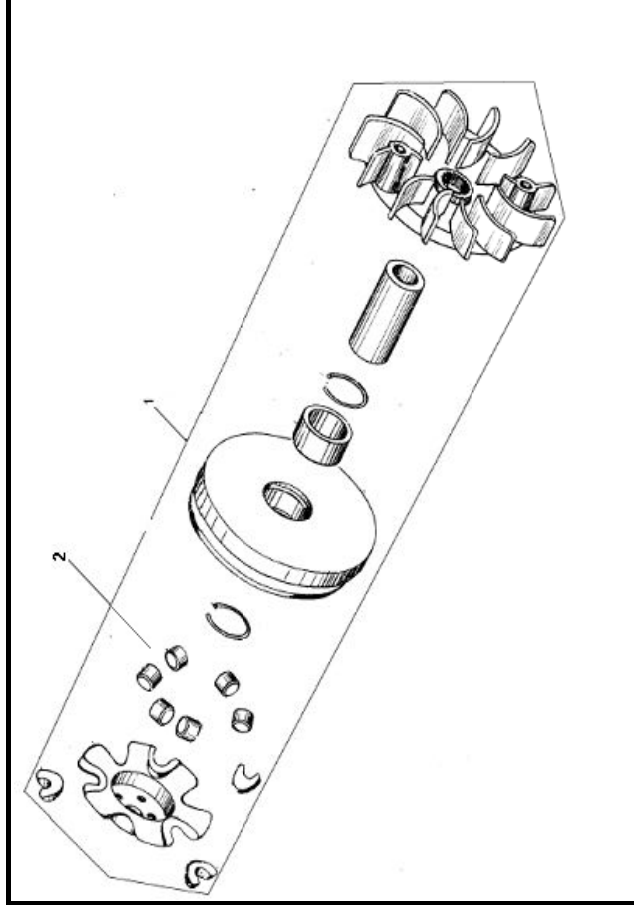
Section 12 - Electric Start

| Ref. # | Part # | Description | Qty. |
|--------|--------|-----------------------------|------|
| 1 | 14369 | Asm, Starter Clutch - 150cc | 1 |
| 2 | 14370 | Shaft, Starter Red - 150cc | 1 |
| 3 | 14371 | Gear, Starter Red - 150cc | 1 |
| 4 | 14372 | Bolt, M6 x 1.00 x 16 FHCS | 2 |
| 5 | 14373 | Asm, Starter Motor - 150cc | 1 |



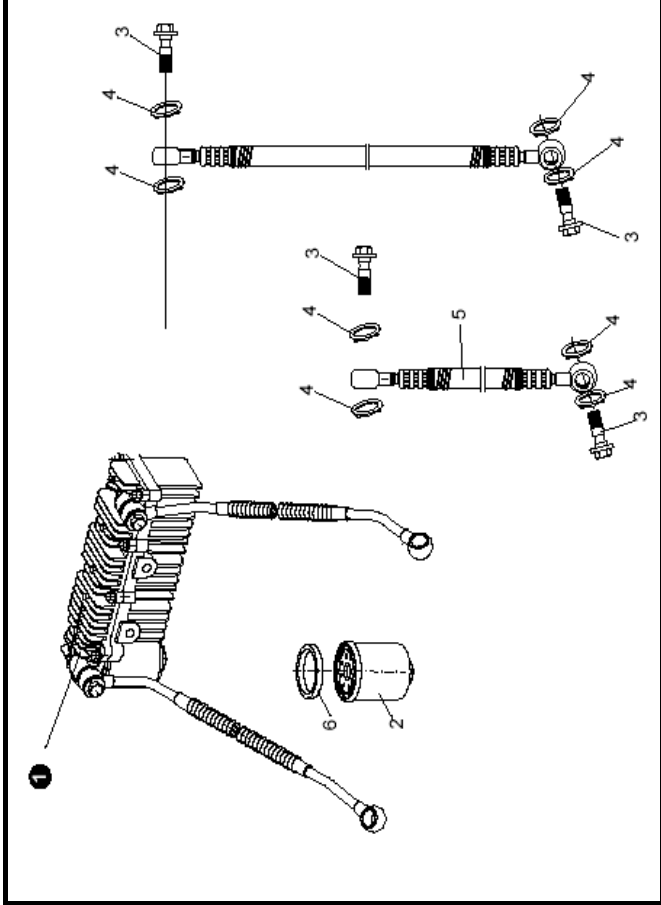
Section 13 - Driver Pulley

| Ref. # | Part # | Description | Qty. |
|--------|--------|--------------------------------|------|
| 1 | 14374 | Asm, Driver Pulley - 150cc | 1 |
| 2 | 14375 | Weights, Driver Pulley - 150cc | 6 |



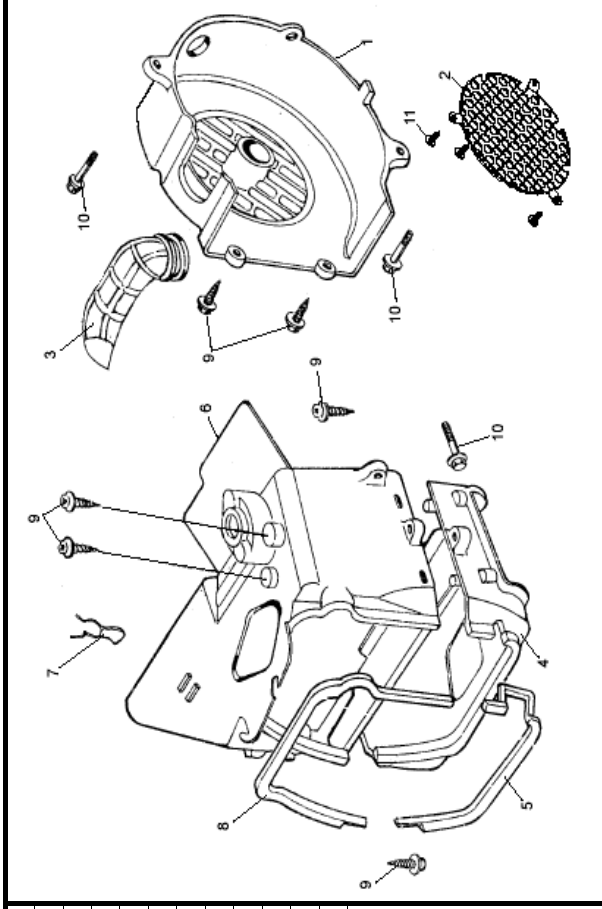
Section 14 - Oil Cooler (Not Included on 6150 Models)

| Ref. # | Part # | Description | Qty. |
|--------|--------|------------------------------|------|
| 1 | 14376 | Manifold, Oil Cooler - 150cc | 1 |
| 2 | 14514 | Filter, Oil - 150cc | 1 |
| 3 | 14537 | Bolt, M12 X 28 Brake Banjo | 4 |
| 4 | 14538 | Washer, Oil Line | 8 |
| 5 | 14515 | Hose, Oil Cooling - 150cc | 2 |
| 6 | 14560 | Seal, Oil Filter | 1 |



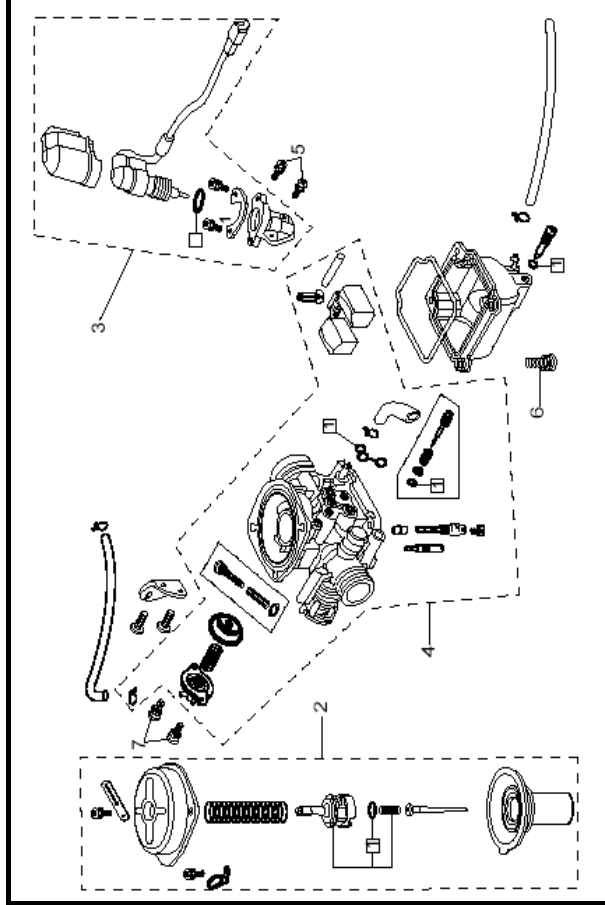
Section 15 - Fan Cover and Shroud Assembly

| Ref. # | Part # | Description | Qty. |
|--------|--------|----------------------------------|------|
| 1 | 14540 | Cover, Fan Comp - 150cc | 1 |
| 2 | 14541 | Cover, Dust - 150cc | 1 |
| 3 | 14542 | Duct, Carburetor Cooling - 150cc | 1 |
| 4 | 14543 | Shroud, Lower - 150cc | 1 |
| 5 | 14544 | Seal, Lower Shroud - 150cc | 1 |
| 6 | 14545 | Shroud, Upper - 150cc | 1 |
| 7 | 14546 | Clip, Cord - 150cc | 1 |
| 8 | 14547 | Seal, Upper Shroud - 150cc | 1 |
| 9 | 50065 | Screw, | 6 |
| 10 | 50069 | Bolt, M6 x 25 FHCS | 3 |
| 11 | 14539 | Screw, 3.5 x 13 STFH | 3 |



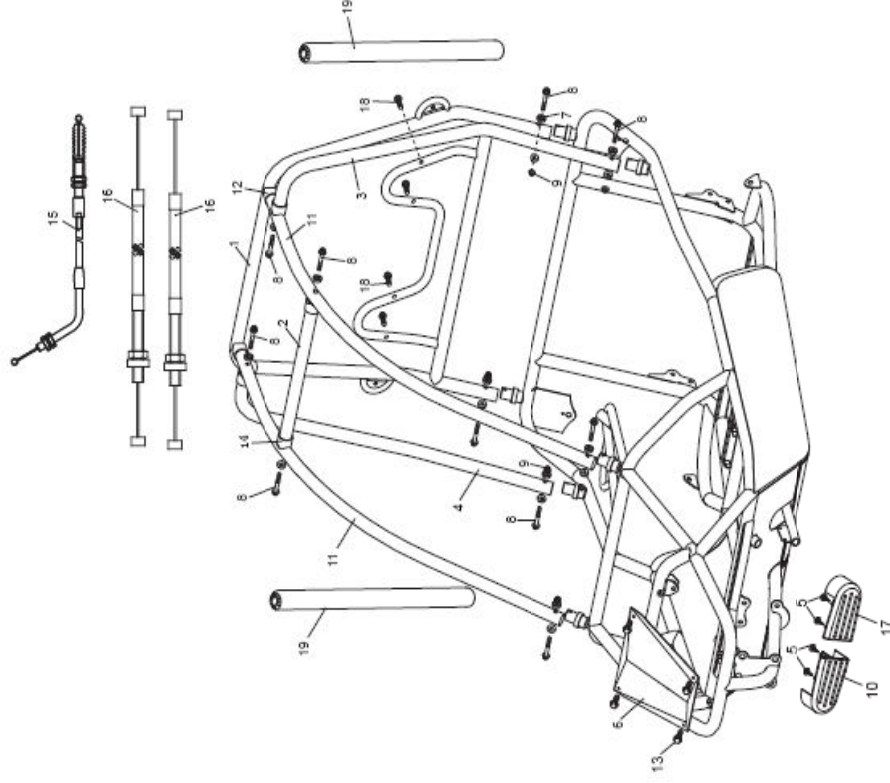
Section 16 - Carburetor

| Ref. # | Part # | Description | Qty. |
|--------|--------|---------------------------|------|
| 1 | 14561 | KIT, CARB GASKET - 150CC | 1 |
| 2 | 14562 | KIT, CARB VACUUM - 150CC | 1 |
| 3 | 14563 | KIT, CARB CHOKE - 150CC | 1 |
| 4 | 14564 | KIT, CARB REBUILD - 150CC | 1 |
| 5 | 14565 | SCREW, M5 X 12 PH | 3 |
| 6 | 14566 | SCREW, M4 X 14 PH | 2 |
| 7 | 14567 | SCREW, M4 X 10 PH | 2 |

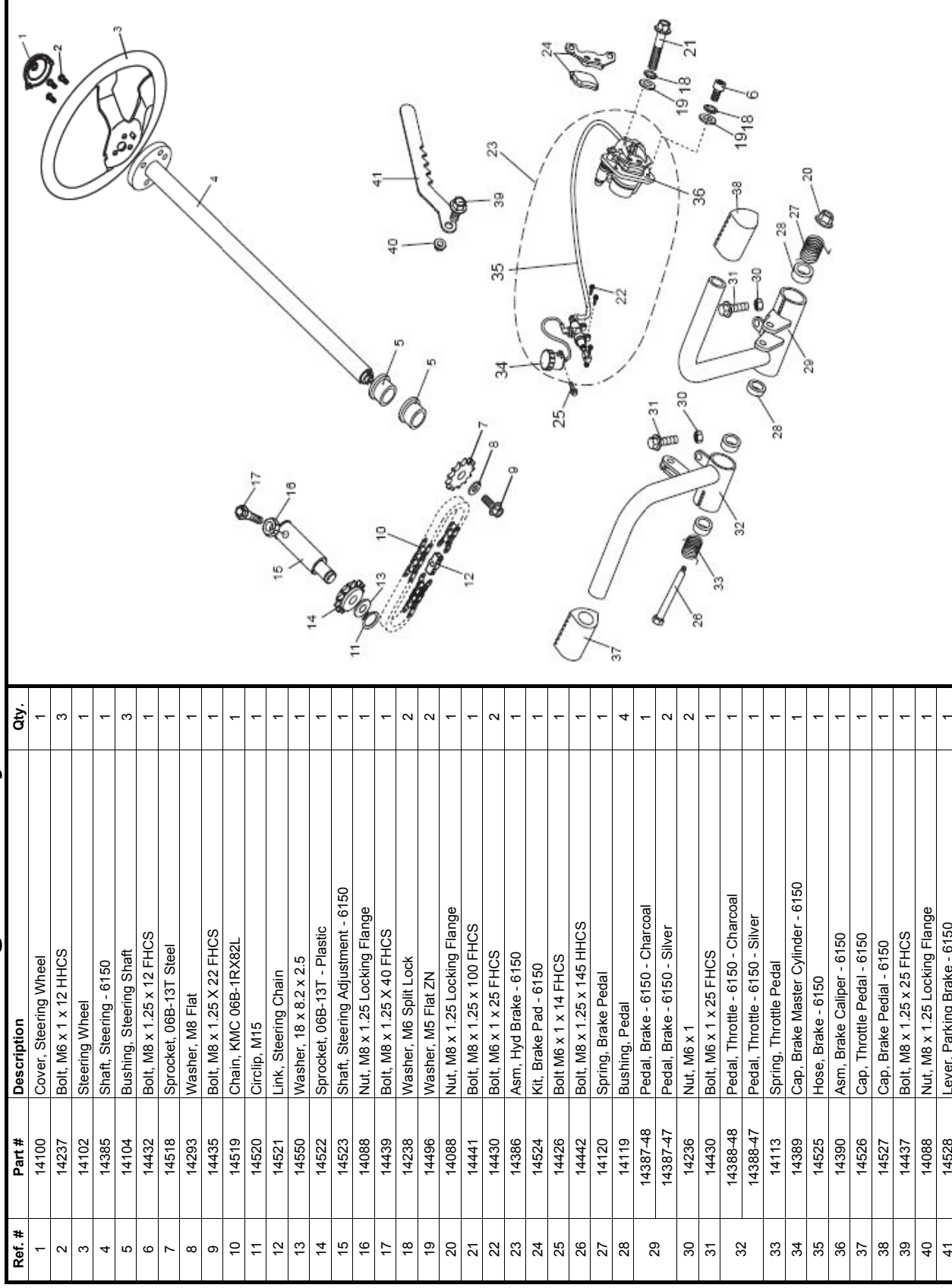


Section 17 - Frame Group

| Ref. # | Part # | Description | Qty. |
|--------|----------|---|------|
| 1 | 14379-48 | Bar, Rear C Pillar - 6150 Charcoal | 1 |
| | 14379-49 | Bar, Rear C Pillar - 6150 Red | |
| | 14379-51 | Bar, Rear C Pillar - 6150 PO Blue | |
| 2 | 14380-48 | Bar, OH Cross - 6150 Charcoal | 1 |
| | 14380-47 | Bar, OH Cross - 6150 Silver | |
| | 14380-50 | Bar, OH Cross - 6150 Aegean Blue | |
| 3 | 14381-48 | Bar, LH B Pillar - 6150 Charcoal | 1 |
| | 14381-49 | Bar, LH B Pillar - 6150 Red | |
| | 14381-51 | Bar, LH B Pillar - 6150 PO Blue | |
| 4 | 14382-48 | Bar, RH B Pillar - 6150 Charcoal | 1 |
| | 14382-49 | Bar, RH B Pillar - 6150 Red | |
| | 14382-51 | Bar, RH B Pillar - 6150 PO Blue | |
| 5 | 14421 | Screw, M4 x 0.75 x 15 | 2 |
| | 14383-48 | Plate, Front Decal - 6150 Charcoal | |
| 6 | 14383-49 | Plate, Front Decal - 6150 Red | 1 |
| | 14383-51 | Plate, Front Decal - 6150 PO Blue | |
| 7 | 14087 | Washer, Concave Clamp | 12 |
| 8 | 14086 | Bolt, M8 x 1.25 x 55 FHCS | 6 |
| 9 | 14088 | Nut, M8 x 1.25 Locking Flange | 6 |
| 10 | 14548 | Guard, Steering Chain - Right | 1 |
| 11 | 14384-48 | Bar, OH Front - 6150 Charcoal | 1 |
| | 14384-47 | Bar, OH Front - 6150 Silver | |
| | 14384-50 | Bar, OH Front - 6150 Aegean Blue | |
| 12 | 14083 | Endcap, Bar - 1 1/4" | 4 |
| 13 | 14426 | Bolt, M6 x 1.00 x 14 FHCS | 4 |
| 14 | 14084 | Endcap, Bar - 1" | 2 |
| 15 | 14094 | Cable, Throttle | 1 |
| 16 | 14456 | Cable, D/N/R Shift - 150CC | 2 |
| 17 | 14549 | Guard, Steering Chain - Left | 1 |
| 18 | 14235 | Bolt, M6 x 1 x 40 FHCS | 4 |
| 19 | 14517 | Pad, Foam B Pillar Wrapped - 6150 Black | 2 |



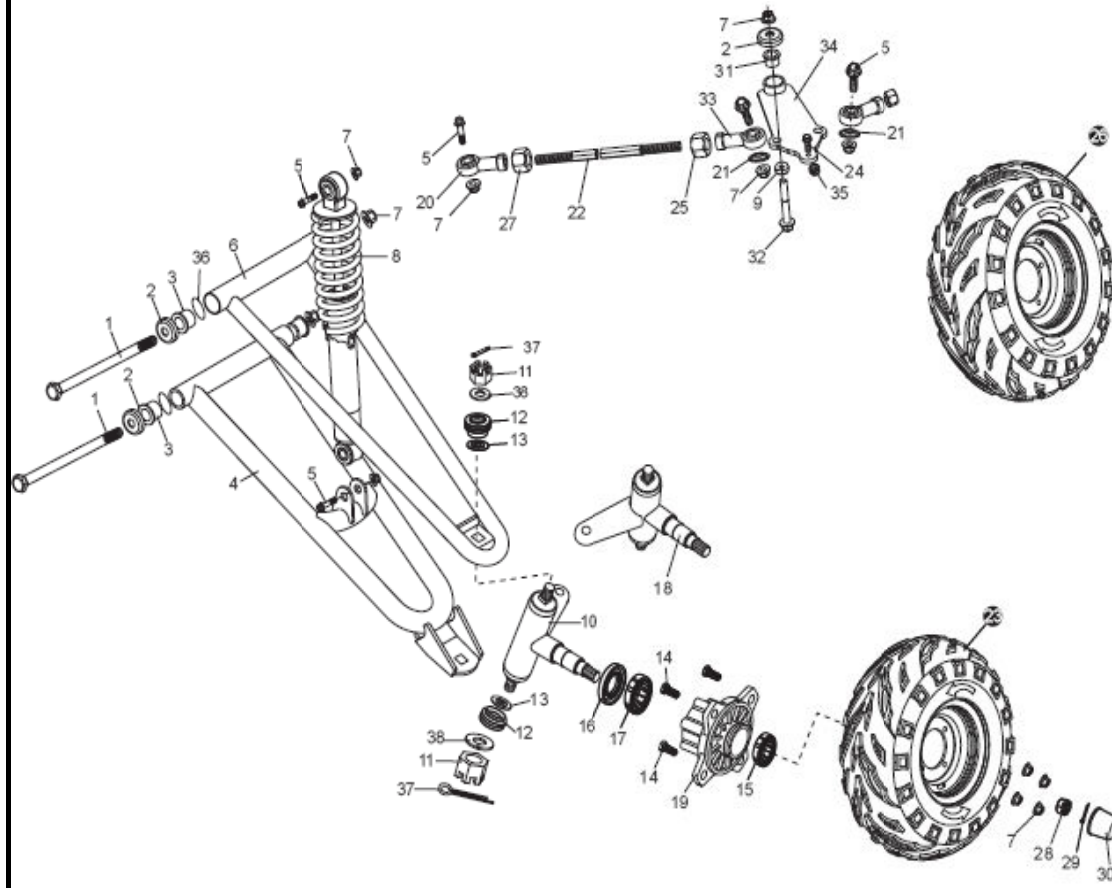
Section 18 - Steering Assembly



| Ref. # | Part # | Description | Qty. |
|--------|----------|-----------------------------------|------|
| 1 | 14100 | Cover, Steering Wheel | 1 |
| 2 | 14237 | Bolt, M6 x 1 x 12 HHCS | 3 |
| 3 | 14102 | Steering Wheel | 1 |
| 4 | 14385 | Shaft, Steering - 6150 | 1 |
| 5 | 14104 | Bushing, Steering Shaft | 3 |
| 6 | 14432 | Bolt, M8 x 1.25 x 12 FHCS | 1 |
| 7 | 14518 | Sprocket, 06B-13T Steel | 1 |
| 8 | 14293 | Washer, M8 Flat | 1 |
| 9 | 14435 | Bolt, M8 x 1.25 X 22 FHCS | 1 |
| 10 | 14519 | Chain, KMC 06B-1RX82L | 1 |
| 11 | 14520 | Circlip, M15 | 1 |
| 12 | 14521 | Link, Steering Chain | 1 |
| 13 | 14550 | Washer, 18 x 8.2 x 2.5 | 1 |
| 14 | 14522 | Sprocket, 06B-13T - Plastic | 1 |
| 15 | 14523 | Shaft, Steering Adjustment - 6150 | 1 |
| 16 | 14088 | Nut, M8 x 1.25 Locking Flange | 1 |
| 17 | 14439 | Bolt, M8 x 1.25 X 40 FHCS | 1 |
| 18 | 14238 | Washer, M6 Split Lock | 2 |
| 19 | 14496 | Washer, M5 Flat ZN | 2 |
| 20 | 14088 | Nut, M8 x 1.25 Locking Flange | 1 |
| 21 | 14441 | Bolt, M8 x 1.25 x 100 FHCS | 1 |
| 22 | 14430 | Bolt, M6 x 1 x 25 FHCS | 2 |
| 23 | 14386 | Asm, Hyd Brake - 6150 | 1 |
| 24 | 14524 | Kit, Brake Pad - 6150 | 1 |
| 25 | 14426 | Bolt M6 x 1 x 14 FHCS | 1 |
| 26 | 14442 | Bolt, M8 x 1.25 x 145 HHCS | 1 |
| 27 | 14120 | Spring, Brake Pedal | 1 |
| 28 | 14119 | Bushing, Pedal | 4 |
| 29 | 14387-48 | Pedal, Brake - 6150 - Charcoal | 1 |
| | 14387-47 | Pedal, Brake - 6150 - Silver | 2 |
| 30 | 14236 | Nut, M6 x 1 | 2 |
| 31 | 14430 | Bolt, M6 x 1 x 25 FHCS | 1 |
| 32 | 14388-48 | Pedal, Throttle - 6150 - Charcoal | 1 |
| | 14388-47 | Pedal, Throttle - 6150 - Silver | 1 |
| 33 | 14113 | Spring, Throttle Pedal | 1 |
| 34 | 14389 | Cap, Brake Master Cylinder - 6150 | 1 |
| 35 | 14525 | Hose, Brake - 6150 | 1 |
| 36 | 14390 | Asm, Brake Caliper - 6150 | 1 |
| 37 | 14526 | Cap, Throttle Pedal - 6150 | 1 |
| 38 | 14527 | Cap, Brake Pedal - 6150 | 1 |
| 39 | 14437 | Bolt, M8 x 1.25 x 25 FHCS | 1 |
| 40 | 14088 | Nut, M8 x 1.25 Locking Flange | 1 |
| 41 | 14528 | Lever, Parking Brake - 6150 | 1 |

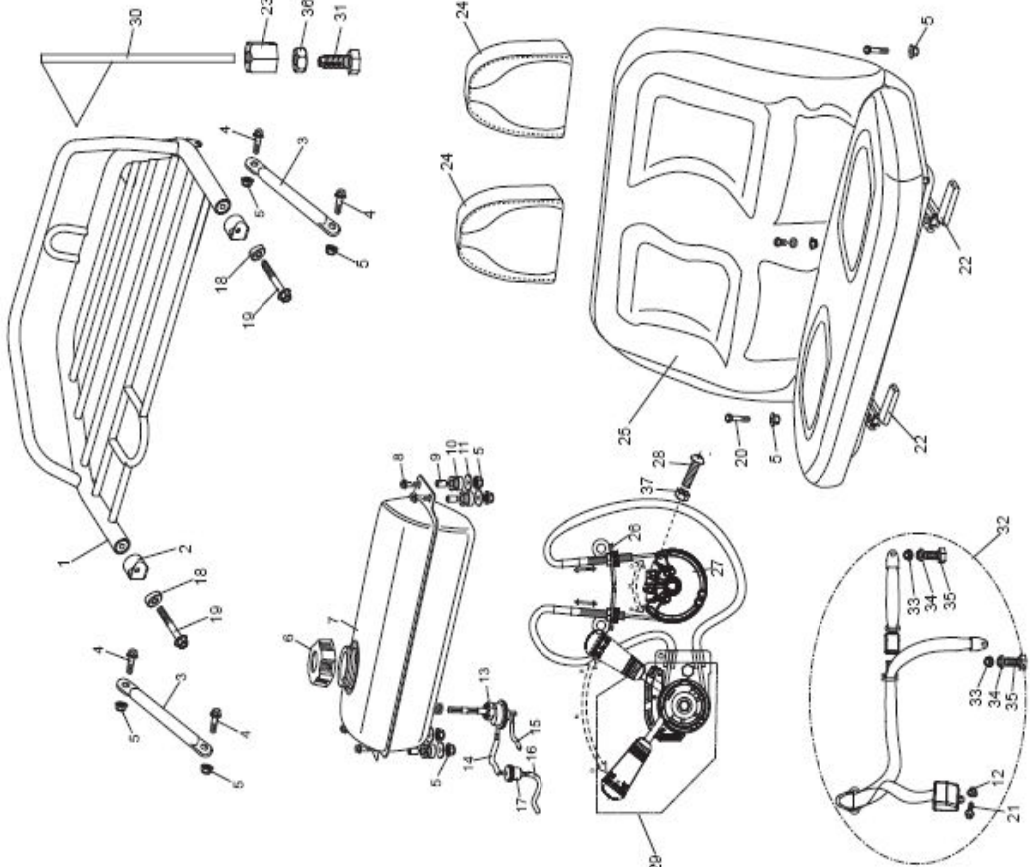
Section 19 - Front Suspension

| Ref. # | Part # | Description | Qty. |
|--------|----------|--------------------------------------|------|
| 1 | 14450 | Bolt, M10 X 1.25 X 232 HHCS | 4 |
| 2 | 14154 | Cap, Dust - Lower Suspension Arm | 8 |
| 3 | 14155 | Bushing, A Arm Lower | 8 |
| 4 | 14391-48 | A Arm, Lower - 6150 Charcoal | 2 |
| | 14391-47 | A Arm, Lower - 6150 Silver | 2 |
| 5 | 14246 | Bolt, M10 x 1.25 x 40 FHCS | 8 |
| 6 | 14392-48 | A Arm, Upper - 6150 - Charcoal | 2 |
| | 14392-47 | A Arm, Upper - 6150 - Silver | 2 |
| 7 | 14243 | Nut, M10 x 1.25 Locking Flange | 16 |
| 8 | 14393 | Shock, 345mm Front - Chr/Yellow | 2 |
| 9 | 14087 | Washer, Concave Clamp | 2 |
| 10 | 14394 | Asm, Strut/Spindle - LH - Black | 1 |
| 11 | 14244 | Nut, M12 x 1.25 Castle ZN | 4 |
| 12 | 14137 | Seal, Ball Joint | 4 |
| 13 | 14138 | Spacer, Ball Joint Head | 4 |
| 14 | 14147 | Stud, M10 x 1.25 x 31 Wheel | 8 |
| 15 | 14149 | Bearing, Outer 6202-Z | 2 |
| 16 | 14145 | Seal, 47 x 25 x 7 Dust | 2 |
| 17 | 14146 | Bearing, Inner - 6204-Z | 2 |
| 18 | 14395 | Asm, Strut/Spindle - RH - Black | 1 |
| 19 | 14148 | Hub, Front Wheel | 2 |
| 20 | 14529 | End, Tie Rod - M10 | 2 |
| 21 | 14551 | Washer | 4 |
| 22 | 14552 | Tie Rod - 360 x M10 x 1.5 | 2 |
| 23 | 14396 | Asm, Tire/Wheel LF | 1 |
| 24 | 14430 | Nut, M6 x 1 x 25 | 2 |
| 25 | 14553 | Nut, Tie Rod - M10 x 1.5 | 2 |
| 26 | 14397 | Asm, Tire/Wheel RF | 1 |
| 27 | 14554 | Nut, Tie Rod - M10 x 1.5 | 2 |
| 28 | 14244 | Nut, M12 x 1.25 Castle ZN | 2 |
| 29 | 14150 | Pin, M2 x 20 Cotter | 2 |
| 30 | 14151 | Cap, Hub Nose | 2 |
| 31 | 14555 | Bushing, 21 x 15 x 15 | 2 |
| 32 | 14448 | Bolt, M10 X 1.25 X 85 HHCS | 2 |
| 33 | 14556 | End, Tie Rod - M10 x 1.5 | 2 |
| 34 | 14400 | Pivot, Steering Link - 6150 Charcoal | 1 |
| 35 | 14236 | Nut, M6 x 1 - Nyloc Flange | 2 |
| 36 | 14156 | O-Ring, M21.2 x 2.65 | 8 |
| 37 | 14490 | Pin, M1.8 x 20 Cotter | 4 |
| 38 | 14245 | Washer, M12 Split Lock ZN | 4 |



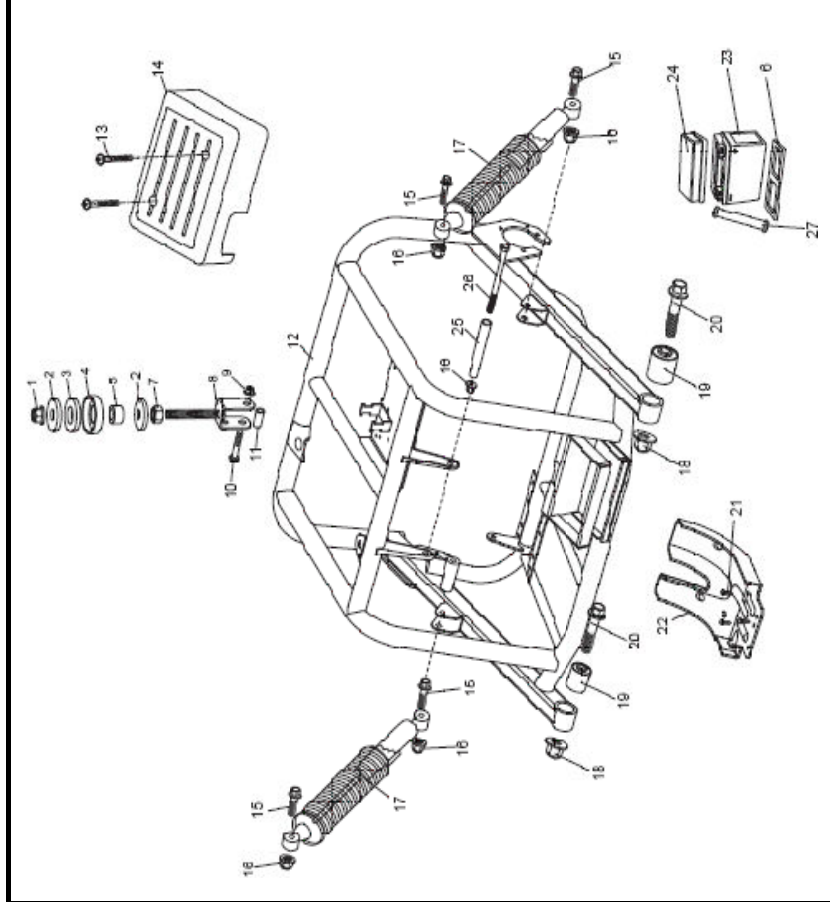
Section 20 - Rear Cargo Rack

| Ref. # | Part # | Description | Qty. |
|--------|----------|--|------|
| 1 | 14532-48 | Cargo Rack - 6150 Charcoal | 1 |
| | 14532-47 | Cargo Rack - 6150 Silver | |
| | 14532-50 | Cargo Rack - 6150 Aegean Blue | |
| 2 | 14083 | Endcap, Bar - 1 1/4" | 2 |
| | 14404-48 | Arm, Rack Support - 6150 Charcoal | |
| 3 | 14404-47 | Arm, Rack Support - 6150 Silver | 1 |
| | 14404-50 | Arm, Rack Support - 6150 Aegean Blue | |
| 4 | 14239 | Bolt, M8 x 1.25 x 20 FHCS | 4 |
| 5 | 14088 | Nut, M8 x 1.25 Locking Flange | 4 |
| 6 | 13871 | Cap, Fuel | 1 |
| 7 | 14161 | Tank, Fuel - 6150/7150 Charcoal | 1 |
| | 14533 | Tank, Fuel - 6150 Silver | |
| | 14534 | Tank, Fuel - 6150 Aegean Blue | |
| 8 | 14436 | Bolt, M8 x 1.25 x 25 FHCS | 4 |
| 9 | 14162 | Spacer, Fuel Tank | 4 |
| 10 | 14163 | Bushing, Fuel Tank Mount | 4 |
| 11 | 14293 | Washer, M8 Flat | 4 |
| 12 | 14088 | Nut, M8 x 1.25 Locking Flange | 4 |
| 13 | 50210 | Asm, Auto Fuel Cock | 1 |
| 14 | 14164 | Line, Fuel #1 | 1 |
| 15 | 14165 | Line, Vacuum #1 | 1 |
| 16 | 14166 | Line, Fuel #2 | 1 |
| 17 | 14167 | Filter, Fuel | 1 |
| 18 | 14087 | Washer, Concave Clamp | 2 |
| 19 | 14086 | Bolt, M8 x 1.25 x 55 FHCS | 2 |
| 20 | 14439 | Bolt, M8 x 1.25 x 40 HHCS | 4 |
| 21 | 14088 | Nut, M8 x 1.25 Locking Flange | 4 |
| 22 | 14171 | Slide, Seat | 2 |
| 23 | 14466 | Nut, Decorative Plastic Flag Mnt. | 1 |
| 24 | 14402 | Headrest, Black Bar Mount - 6150 | 2 |
| 25 | 14403 | Seat, Black Vinyl Bench - 6150 | 1 |
| 26 | 14473 | Bracket, Shift Cable | 1 |
| 27 | 14479 | Disc, Shift Control | 1 |
| 28 | 14420 | Screw, M4 x 0.75 x 31 | 1 |
| 29 | 14478 | Asm, Trans Shift Lever - F/N/R - 150cc | 1 |
| 30 | 14464 | Flag, Safety | 1 |
| 31 | 14465 | Bolt, M12 x 1.25 x 30 Flag Mounting | 1 |
| 32 | 8778 | Harness, Lap Shoulder Rest | 2 |
| 33 | 14324 | Nut, M12 x 1.25 | 4 |
| 34 | 14289 | Washer, M12 | 4 |
| 35 | 14451 | Bolt, M12 x 1.25 x 25 | 4 |
| 36 | 14492 | Nut, M12 x 1.25 | 1 |
| 37 | 14493 | Nut, M4 x 0.7 | 1 |



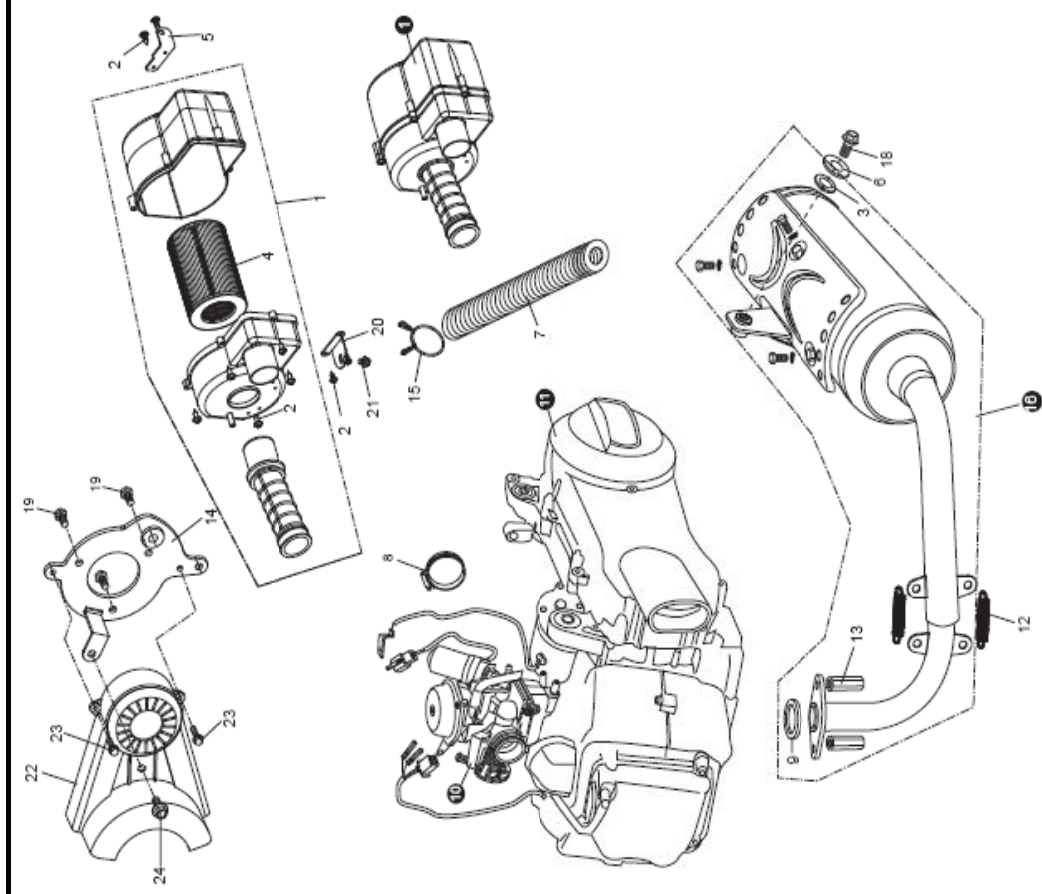
Section 21 - Rear Swingarm

| Ref. # | Part # | Description | Qty. |
|--------|----------|--------------------------------------|------|
| 1 | 14324 | Nut, M12 x 1.25 Locking Flange | 1 |
| 2 | 14289 | Washer, M12 Flat ZN | 1 |
| 3 | 14467 | Bushing, Engine Adj Isolator | 1 |
| 4 | 14468 | Spacer, Engine Adj Cup | 1 |
| 5 | 14469 | Spacer, Engine Adj Alignment | 1 |
| 6 | 14188 | Gasket, Battery Cap - 150cc | 1 |
| 7 | 14492 | Nut, M12 x 1.25 Hex ZN | 1 |
| 8 | 14470 | Link, Chain Tensioning - 150cc | 1 |
| 9 | 14243 | Nut, M10 x 1.25 Locking Flange | 1 |
| 10 | 14446 | Bolt, M6 x 1 x 45 FHCS | 1 |
| 11 | 14471 | Spacer, Engine Mounting Link - 150cc | 1 |
| 12 | 14405-48 | Asm, Rear Swingarm - 6150 Charcoal | 1 |
| | 14405-47 | Asm, Rear Swingarm - 6150 Silver | |
| 13 | 14431 | Screw, M6 x 1 x 60 PHCS | 2 |
| 14 | 14172 | Cover, Electrical | 1 |
| 15 | 14246 | Bolt, M10 x 1.25 x 40 FHCS | 4 |
| 16 | 14243 | Nut, M10 x 1.25 Locking Flange | 5 |
| 17 | 14535 | Shock, Rear - 6150 | 2 |
| 18 | 14324 | Nut, M12 x 1.25 Locking Flange | 2 |
| 19 | 14191 | Bushing, Swingarm Isolator - 150cc | 2 |
| 20 | 14452 | Bolt, M12 x 1.25 x 60 FHCS | 2 |
| 21 | 14372 | Bolt, M6 x 1 x 16 FHCS | 4 |
| 22 | 14185 | Guard, Lower Chain - 150cc | 1 |
| 23 | 14189 | Battery - YTX12-BS | 1 |
| 24 | 14186 | Cover, Battery - 150cc | 1 |
| 25 | 14177 | Spanner, Engine Mount | 1 |
| 26 | 14449 | Bolt, M10 x 1.25 x 195 HHCS | 1 |
| 27 | 14187 | Strap, Battery Hold Down - 150cc | 1 |



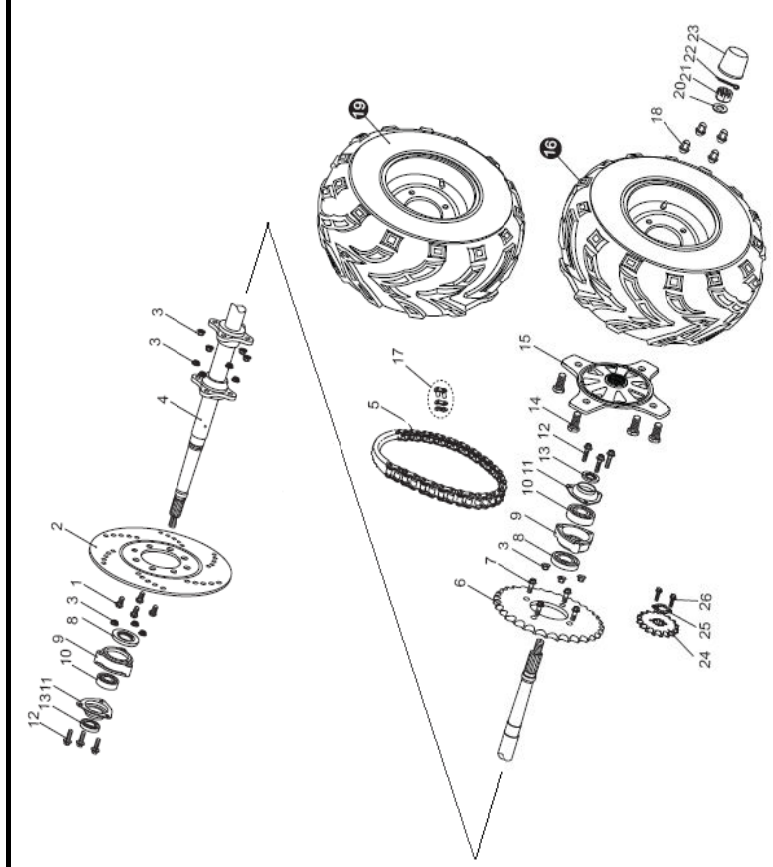
Section 22 - Engine

| Ref. # | Part # | Description | Qty. |
|--------|--------|---------------------------------------|------|
| 1 | 14192 | Asm, Air Cleaner - 150cc | 1 |
| 2 | 14193 | Screw M5 x 16 Self Tapping PH | 9 |
| 3 | 14495 | Washer, M8 Split Lock ZN | 1 |
| 4 | 14194 | Filter, Air - 150cc | 1 |
| 5 | 14201 | Bracket, #2 Air Cleaner Mount - 150cc | 1 |
| 6 | 14497 | Washer, M8 x 27 x 2 FLAT ZN | 1 |
| 7 | 14195 | Hose, Air Intake - 150cc | 1 |
| 8 | 14481 | Clamp, Hose - 45 | 1 |
| 9 | 14196 | Gasket, Exhaust Pipe - 150cc | 1 |
| 10 | 14197 | Asm, Carburetor - 150cc | 1 |
| 11 | 14198 | Asm, Engine - 150cc | 1 |
| 12 | 14482 | Spring, Exhaust Pipe | 2 |
| 13 | 50050 | Nut (Hex) Cap M6 | 2 |
| 14 | 14480 | Bracket, Rear Eng Mount - 150cc | 2 |
| 15 | 14483 | Clamp - 50 | 1 |
| 16 | 14199 | Asm, Muffler - 150cc | 1 |
| 17 | 14433 | Bolt, M8 x 1.25 x 15 FHCS ZN | 1 |
| 18 | 14439 | Bolt, M8 x 1.25 x 40 FHCS ZN | 1 |
| 19 | 14239 | Bolt, M8 x 1.25 x 20 FHCS ZN | 3 |
| 20 | 14200 | Bracket, #1 Air Cleaner Mount - 150cc | 1 |
| 21 | 14445 | Bolt, M10 x 1.25 x 10 FHCS ZN | 1 |
| 22 | 14484 | Guard, Chain - 150cc | 1 |
| 23 | 14426 | Bolt, M6 x 1 x 14 FHCS ZN | 2 |
| 24 | 14434 | Bolt, M8 x 1.25 x 16 FHCS ZN | 1 |



Section 23 - Rear Axle

| Ref. # | Part # | Description | Qty. |
|--------|--------|--------------------------------|------|
| 1 | 14435 | Bolt, M8 x 1.25 x 22 FHCS | 4 |
| 2 | 14202 | Disc, Rear Brake - 150cc | 1 |
| 3 | 14088 | Nut, M8 x 1.25 Locking Flange | 16 |
| 4 | 14203 | Axle - 150cc | 1 |
| 5 | 14204 | Chain, 50 x 56P INC ML | 1 |
| 6 | 14205 | Sprocket, 50P 32T | 1 |
| 7 | 14436 | Bolt, M8 x 1.25 x 25 FHCS | 4 |
| 8 | 14206 | Seal, M50 x 34 x 7 Dust | 2 |
| 9 | 14207 | Housing, Axle Bearing - 150cc | 2 |
| 10 | 14208 | Bearing - 6206 | 2 |
| 11 | 14209 | Flange, Bearing - 150cc | 2 |
| 12 | 14439 | Bolt, M8 x 1.25 x 40 FHCS | 6 |
| 13 | 14210 | Seal, M42 x 30 x 7 Dust | 2 |
| 14 | 14147 | Stud, M10 x 1.25 x 31 Wheel | 8 |
| 15 | 14578 | Hub, Rear Wheel - 150cc | 2 |
| 16 | 14398 | Asm, LH Rear Wheel/Tire | 1 |
| 17 | 14215 | Master Link 50 | 1 |
| 18 | 14243 | Nut, M10 x 1.25 Locking Flange | 8 |
| 19 | 14399 | Asm, RH Rear Wheel/Tire | 1 |
| 20 | 14248 | Spacer, M16 x 16 x 4 | 2 |
| 21 | 14249 | Nut, M16 x 2.00 Castle | 2 |
| 22 | 14213 | Pin, M4 x 30 Cotter | 2 |
| 23 | 14151 | Cap, Hub Nose - Black | 2 |
| 24 | 14217 | Sprocket, 50P 16T | 1 |
| 25 | 14218 | Keeper, Drive Sprocket | 1 |
| 26 | 14296 | Bolt, M6 x 1.25 x 12 | 2 |



Section 24 - Electrical

| Ref. # | Part # | Description | Qty. |
|--------|--------|--------------------------------|------|
| 1 | 14227 | Coil, Ignition w/ Cap - 150cc | 1 |
| 2 | 14406 | Panel, Dash - 6150 | 1 |
| 3 | 14221 | Switch, Engine Stop - 150cc | 1 |
| 4 | 14222 | Switch, Keyed Ignition - 150cc | 1 |
| 5 | 14407 | Harness, Main Wiring - 6150 | 1 |
| 6 | 14223 | Harness, Battery - 150cc | 1 |
| 7 | 14428 | Screw, M6 x 1 x 20 | 2 |
| 8 | 14236 | Nut, M6 x 1.00 Nyloc Hex | 2 |
| 9 | 14224 | Regulator, Voltage - 150cc | 1 |
| 10 | 14225 | Relay, Starter - 150cc | 1 |
| 11 | 14226 | CDI - 150cc | 1 |
| 12 | 14491 | Nut, M5 x 0.75 Nyloc | 1 |
| 13 | 14425 | Screw, M5 x 0.75 x 25 | 1 |
| 14 | 14231 | Fuse, 15 Amp - Waytek 46115 | 2 |

