



**AMERICAN  
SPORTWORKS®**

800-643-7332 • [amsportworks.com](http://amsportworks.com)

## **5210 MARAUDER**

208CC FUN KART



**208CC FUN KART**

**ILLUSTRATED PARTS LIST**

# TABLE OF CONTENTS

<b>SECTION 1 FRAME GROUP WARNING LABELS</b> .....	1
<b>SECTION 2 FRAME GROUP</b> .....	2
<b>SECTION 3 INTERIOR</b> .....	3
<b>SECTION 4 FRONT SUSPENSION</b> .....	4
<b>SECTION 5 STEERING ASSEMBLY</b> .....	5
<b>SECTION 6 REAR SWINGARM</b> .....	6
<b>SECTION 7 JACKSHAFT</b> .....	7
<b>SECTION 8 REAR AXLE</b> .....	8

# 5210 SECTION 1 FRAME GROUP WARNING LABELS

**⚠ WARNING**

**ALWAYS WEAR SEATBELT**  
 Seatbelt must be properly fastened and adjusted for each occupant prior to operating the vehicle; See Owner's Manual.

 11330-I

**⚠ WARNING**

**EXHAUST GAS HARMFUL**  
 Engine exhaust from this product contains chemicals, known in certain quantities to cause cancer, birth defects, or other reproductive harm.

 11330-N

**⚠ WARNING**

**ENTANGLEMENT HAZARD**  
 Shoulder length and longer hair or loose clothing can get caught in moving parts behind or below the seat. **Restrain hair at or above shoulder level. Restrained hair must not interfere with the proper fit of the helmet. Securely restrain anything loose that reaches behind or below the seat.**

 11330-B

**⚠ WARNING**

**HOT SURFACES**  
 Surfaces around the engine and exhaust can be extremely hot. Allow surfaces to cool before servicing.

 11330-A

**⚠ WARNING**

**Under 13 Age**  
 This vehicle is not to be operated by anyone under **13 years of age**. A speed reduction kit is available for this vehicle.

 11330-T

**⚠ WARNING**

**OBSERVE THE FOLLOWING INSTRUCTIONS**  
 Failure to understand and follow Warnings and Instructions for the safe use and maintenance of this product may result in **Death or Injury!** This information is contained in the Warning Labels, Owner's Manual & Supplements, Safety Video, and Engine Manual supplied with this product. Make sure that you understand and follow all Warnings and Instructions in this material.

- Read owner/operator manuals carefully.
- Adult supervision required.
- Always wear a D.O.T.-approved motorcycle helmet, eye protection, and protective clothing.
- Do NOT operate the vehicle without the brush bars securely in place.
- Keep all covers and shields properly installed.
- Throttle, Stop Switch, and Brake Controls must work properly and freely before starting the engine.
- Operator must be seated, safety belt must be fastened, and brake applied before operating the vehicle.
- Not legal for street use. Use only on flat, level, off-road terrain.
- Not designed for racing or commercial use.
- Never operate at speeds too fast for your skills or the conditions.
- Never attempt jumps or other stunts.
- Never ride after consuming alcohol, drugs, or other intoxicants.

If you did not receive any of the material listed above, please call **1-800-643-7332** and request to have them sent to you at no charge.

11330-J

**⚠ WARNING**

**CHECK TIRE PRESSURES**  
 Improper inflation of tires can cause **loss of control, resulting in serious injury or death**. Refer to Owner's Manual for proper operating pressure.

 11330-D

**⚠ WARNING**

**NO RIDING**  
 All occupants must be inside the vehicle and wearing the proper restraints and safety gear. **Absolutely no riding on the outside of the vehicle or on the cargo rack.**

 11330-K

**⚠ WARNING**

**WEAR A HELMET**  
 Always wear a D.O.T.-approved motorcycle helmet when operating this vehicle.

 11329

**⚠ WARNING**

**GUARD MUST BE IN PLACE**  
 This guard must be in place during engine operation. Keep hands, feet, and loose garments away from engine, chain, and drive components.

**⚠ CAUTION**

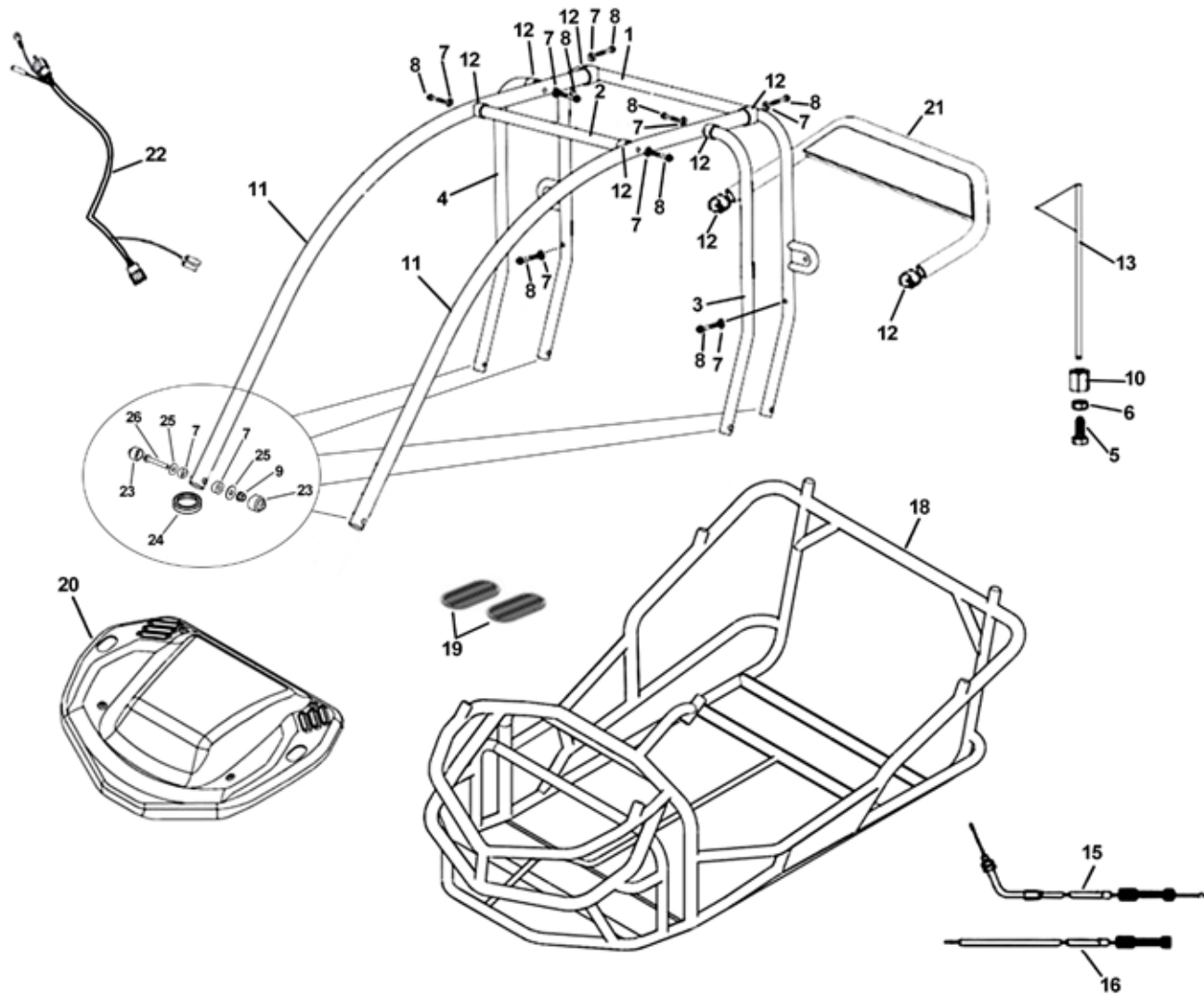
**DO NOT PUT FOOT ON DRIVE COVER**

11330-C

**⚠ WARNING**

**PINCH HAZARD**  
 Exercise caution when working on drive components. Drive chain turns when vehicle is in motion. **Chock wheels before removing drive cover.** Never remove drive cover or attempt to service with engine running.

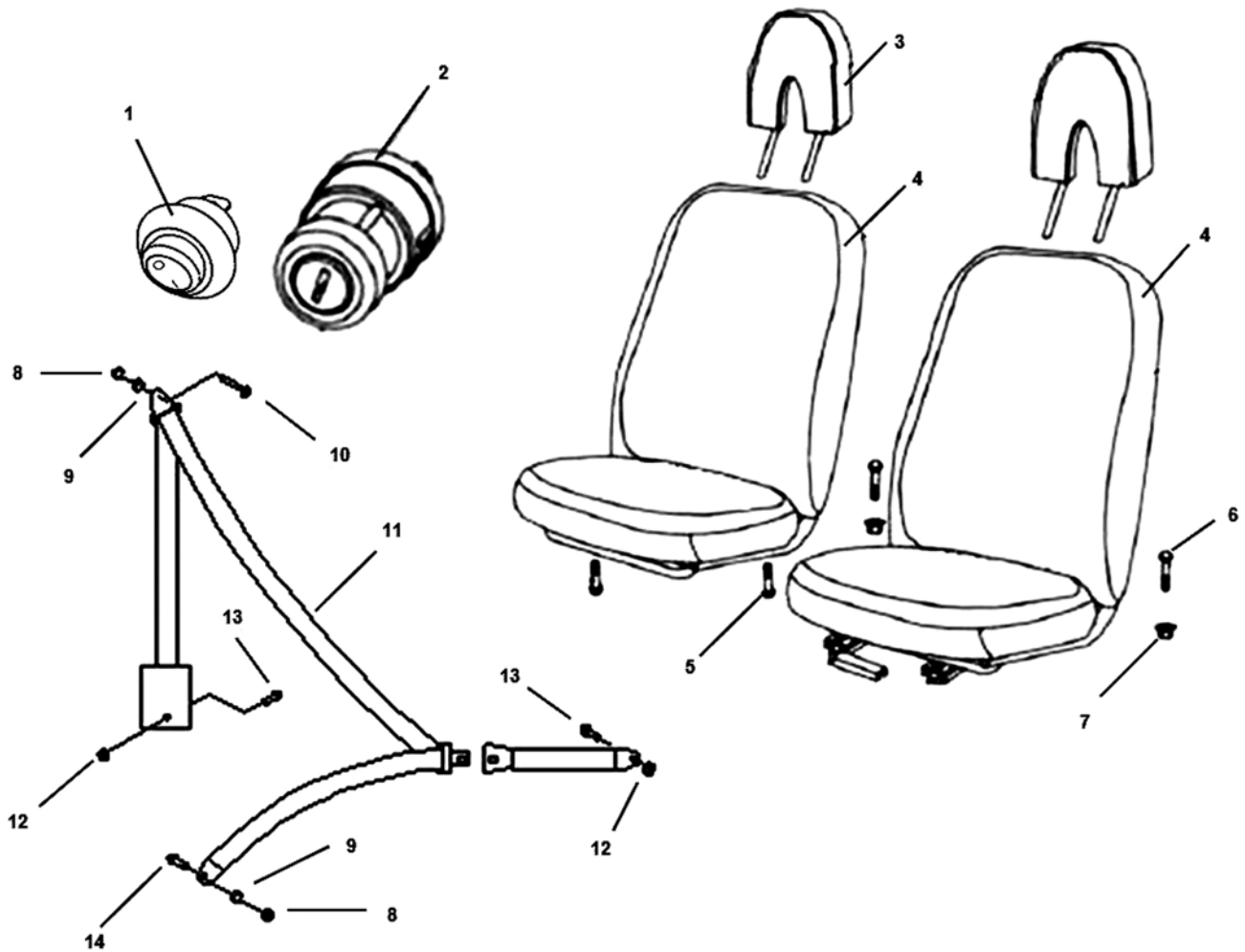
 11330-R



Ref #	Part #	Description	Qty
1	15470	BAR, REAR C PILLAR - 5210	1
2	15471	BAR, OH CROSS - 5210	1
3	15472	BAR, LH B PILLAR - 5210	1
4	15473	BAR, RH B PILLAR - 5210	1
5	14465	BOLT, M12 X 1.75 X 30 FLAG MOUNT	1
6	14492	NUT, M12 X 1.25 HEX ZN	1
7	14087	WASHER, CONCAVE CLAMP DAC	20
8	14696	BOLT, M8 X 1.25 X 50 FHCS DAC	8
9	14088	NUT, M8 X 1.25 LOCKING FLANGE ZN	6
10	14466	NUT, 1.75 THREAD DECORATIVE PLSTC FLG MNT	1
11	15474	BAR, OH FRONT - 5210	2
12	15475	ENDCAP, BAR - 1.125" BLACK PLASTIC	8
13	14464	FLAG, SAFETY	1
14		(This item is intentionally left blank.)	

Ref #	Part #	Description	Qty
15	15476	CABLE, THROTTLE	1
16	15477	CABLE, CHOKE	1
17		(This item is intentionally left blank.)	
18	N/A	FRAME, 5210 (Not Available)	1
19	14612	PAD, RUBBER FOOT	2
20	15478	HOOD, 5210	1
20a	15565	SCREW, M6 X 1.0 X 16 BUTTON HEAD SOCKET SS	4
20b	15567	WASHER, M6 FENDER	4
21	15479	SPOILER, 5210	1
22	15480	HARNESS, MAIN WIRING - 5210	1
23	15113	COVER, BOLT CAP	20
24	15546	SEAL, BAR CONNECTION - 1.125"	6
25	15114	WASHER, BAR CONNECTION M8 X 24 X 1.25	20
26	14086	BOLT, M8 X 1.25 X 55 FHCS DAC	6

NOTE: parts denoted as left or right hand are from driver's point of view.

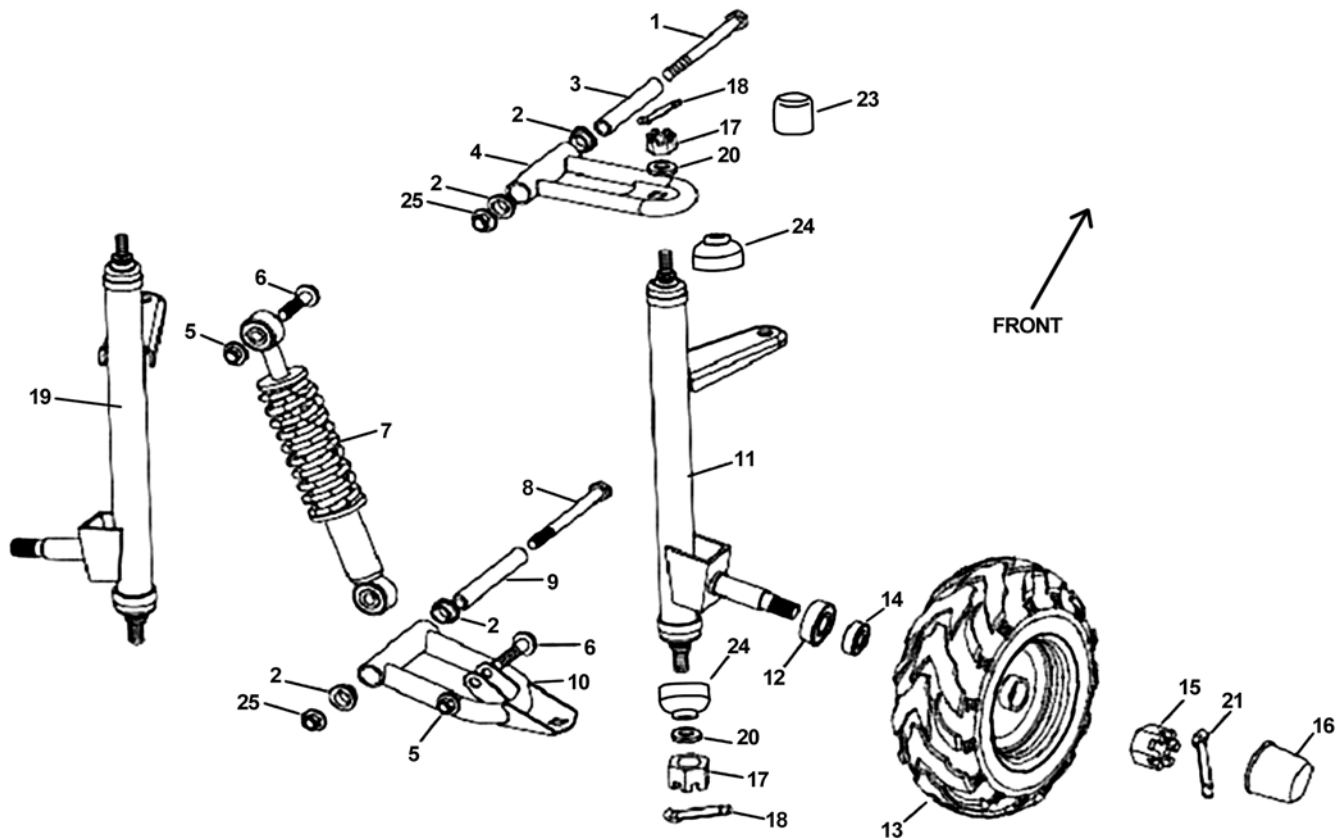


Ref #	Part #	Description	Qty
1	15271	SWITCH, ENGINE STOP ROCKER	1
2	15482	IGNITION SWITCH W/KEY - 5210	1
3	15371	HEADREST - 5210 BLACK	2
4	15369	ASM, SEAT W/SLIDES - DRIVER 5210	1
4	15370	ASM, SEAT W/ NO SLIDES - PASS 5210	1
5	14440	BOLT, M8 X 1.25 X 40 HHCS DAC	2
6	15483	BOLT, M8 X 1.25 X 40 "T" STYLE DAC	2
7	14088	NUT, M8 X 1.25 LOCKING FLANGE DAC	2

Ref #	Part #	Description	Qty
8	14243	NUT, M10 X 1.25 LOCKING FLANGE DAC	4
9	14289	SPACER, M10 STEPPED SEAT BELT DAC	4
10	14451	BOLT, M10 X 1.25 X 25 FHCS DAC	2
11	14786	RETRACTABLE SEATBELT (WITHOUT SLEEVE)	2
11	8375	SEATBELT SLEEVE <b>(NOT ILLUSTRATED)</b>	2
12	14324	NUT, M12 X 1.25 LOCKING FLANGE DAC	3
13	15485	BOLT, M12 X 1.25 X 25 FHCS DAC	3
14	14451	BOLT, M10 X 1.25 X 25 FHCS DAC	2

NOTE: parts denoted as left or right hand are from driver's point of view.

# 5210 SECTION 4 FRONT SUSPENSION

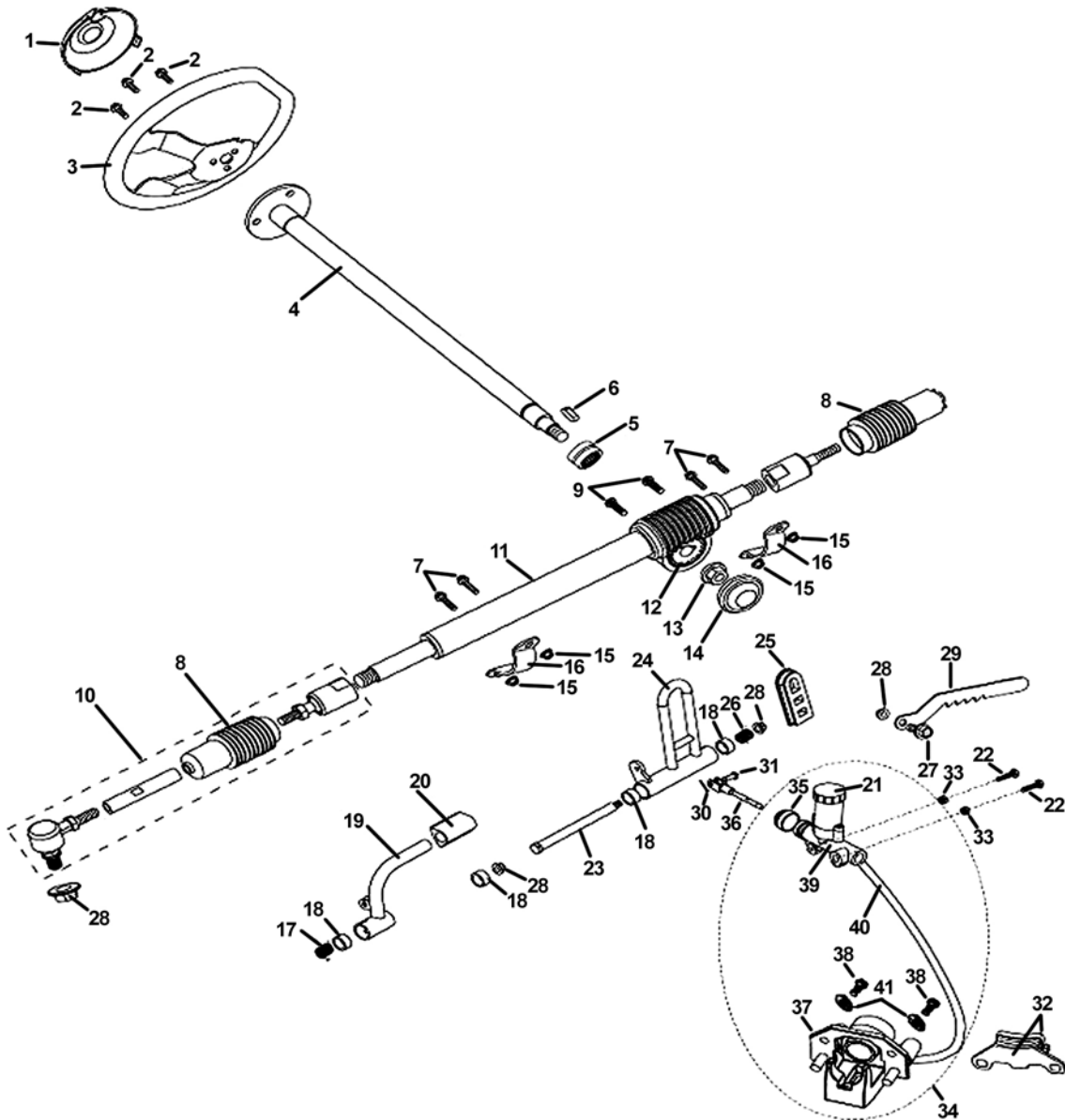


Ref #	Part #	Description	Qty
1	14615	BOLT, M8 X 1.25 X 95 FLANGE	2
2	14126	BUSHING, FLANGED SLEEVE 12 X 16 X 12	8
3	14617	UPPER SUSPENSION ARM COLLAR, 75MM	2
4	14618-2	UPPER SUSPENSION ARM - BLACK	2
5	14243	NUT, M10 X 1.25 LOCKING FLANGE ZN	4
6	14246	BOLT, M10 X 1.25 X 40 FHCS ZN	4
7	14793	SHOCK, FRONT - RED & BLACK	2
8	14620	BOLT, M8 X 1.25 X 105	2
9	14621	LOWER SUSPENSION ARM COLLAR, 85MM	2
10	14622-2	LOWER SUSPENSION ARM ASSY - BLACK	2
11	14623-2	SPINDLE AND STRUT SUPPORT, R - BLK	1
12	14624	BEARING 6003Z	2
13	15367	ASM, TIRE/WH RH 16X6-8	1
13	15368	ASM, TIRE/WH LH 16X6-8 (not shown)	1

Ref #	Part #	Description	Qty
13a	15486	TIRE, 16 X 6 - 8 FAR EAST "V" TREAD (not shown)	2
14	14626	BEARING 6201	2
15	14244	NUT, M12 X 1.25 CASTLE ZN	2
16	14627	HUB COVER, FRONT 36MM ID	2
17	14242	NUT, M10 X 1.25 CASTLE	4
18	15542	PIN, M2.5 X 25 COTTER	4
19	14629-2	SPINDLE AND STRUT SUPPORT, L - BLK	1
20	14241	WASHER, M10 SPLIT LOCK ZN	4
21	15542	PIN, M2.5 X 25 COTTER	2
22		(This item is intentionally left blank.)	
23	14923	CAP, NUT COVER RUB - BLK	2
24	14857	SEAL, BALL JOINT	4
25	14088	NUT, M8 X 1.25 LOCKING FLANGE ZN	4

NOTE: parts denoted as left or right hand are from driver's point of view.

# 5210 SECTION 5 STEERING ASSEMBLY

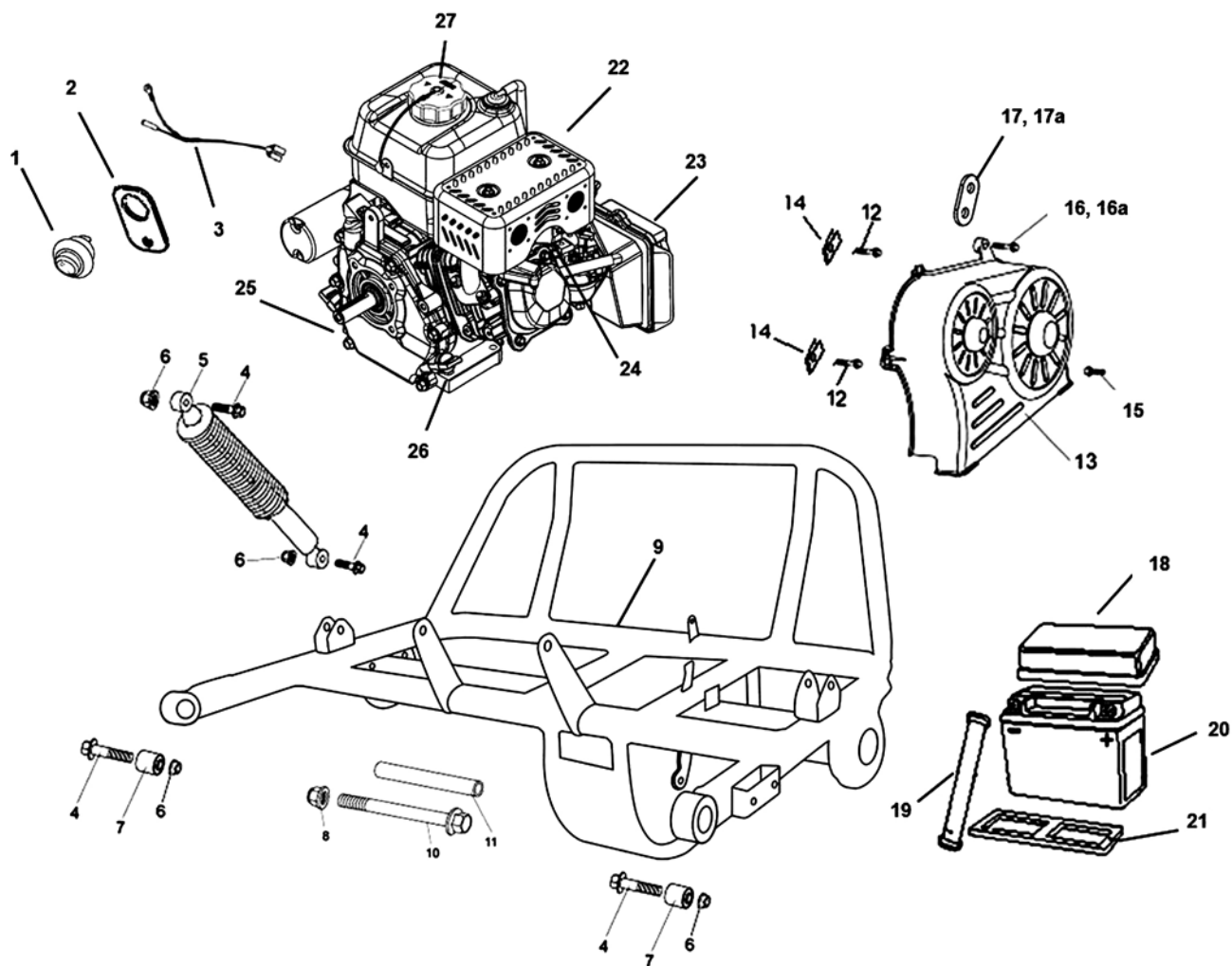


Ref #	Part #	Description	Qty
1	14631	COVER, STEERING WHEEL	1
2	14426	BOLT, M6 X 1.00 X 14 FHCS ZN	3
3	14632	STEERING WHEEL	1
4	14633-2	SHAFT, STEERING - BLACK	1
5	14634	BUSHING, NYLON - 18 X 16	1
6	14635	KEY, 4 X 4 X 11.5	1
7	14341	BOLT, M6 X 1.00 X 20 FHCS ZN	4
8	14636	STEERING BALL JOINT DUST COVER	2
9	14565	SCREW, M5 X 12 PH	2
10	14637	ASM, TIE ROD END - BLACK	2
11	14638	ASM, RACK & PINION	1
12	14639	STEERING GEAR	1
13	14243	NUT, M10 X 1.25 LOCKING FLANGE ZN	1
14	14641	DUST COVER	1
15	14236	NUT, M6 X 1.00 NYLOC FLANGE ZN	4
16	14642-2	STEERING GEAR BRACKET (R.S.B.) - BLACK	2
17	14643	SPRING, THROTTLE PEDAL	1
18	14119	BUSHING, SLEEVE 12 X 21 X 12	4
19	14645-2	PEDAL, THROTTLE BLACK	1
20	14526	CAP, THROTTLE PEDAL - 31X/41X/61X	1
21	14646	CAP, BRAKE MASTER CYLINDER	1

Ref #	Part #	Description	Qty
22	14647	BOLT, M6 X 1.0 X 25 ZN	2
23	14648	BOLT, M8 X 1.25 X 144 HHCS	1
24	14649-2	PEDAL, BRAKE - BLACK	1
25	14650	PAD, BRAKE PEDAL - BLACK	1
26	14651	SPRING, BRAKE PEDAL	1
27	14239	BOLT, M8 X 1.25 X 20 FHCS ZN	1
28	14088	NUT, M8 X 1.25 LOCKING FLANGE ZN	3
29	14652	LEVER, PARKING BRAKE	1
30	14628	PIN, M1.6 X 14 COTTER	1
31	14653	STUD, 6 X 16	1
32	14654	KIT, BRAKE PAD	1
33	14236	NUT, M6 X 1.00 NYLOC FLANGE ZN	2
34	14655	ASM, HYDRAULIC BRAKE	1
35	14656	BOOT, BRAKE	1
36	14657	SHAFT, BRAKE MASTER CYLINDER	1
37	14658	ASM, BRAKE CALIPER (includes brake pads)	1
38	14455	BOLT, M8 X 1.25 X 14 SHCS PL	2
39	14744	MASTER CYLINDER, BRAKE (RESERVOIR AND CAP INCLUDED)	1
40	14130	HOSE, HYD BRAKE - 75"	1
41	14495	WASHER, M8 SPLIT LOCK	2

NOTE: parts denoted as left or right hand are from driver's point of view.

# 5210 SECTION 6 REAR SWING ARM

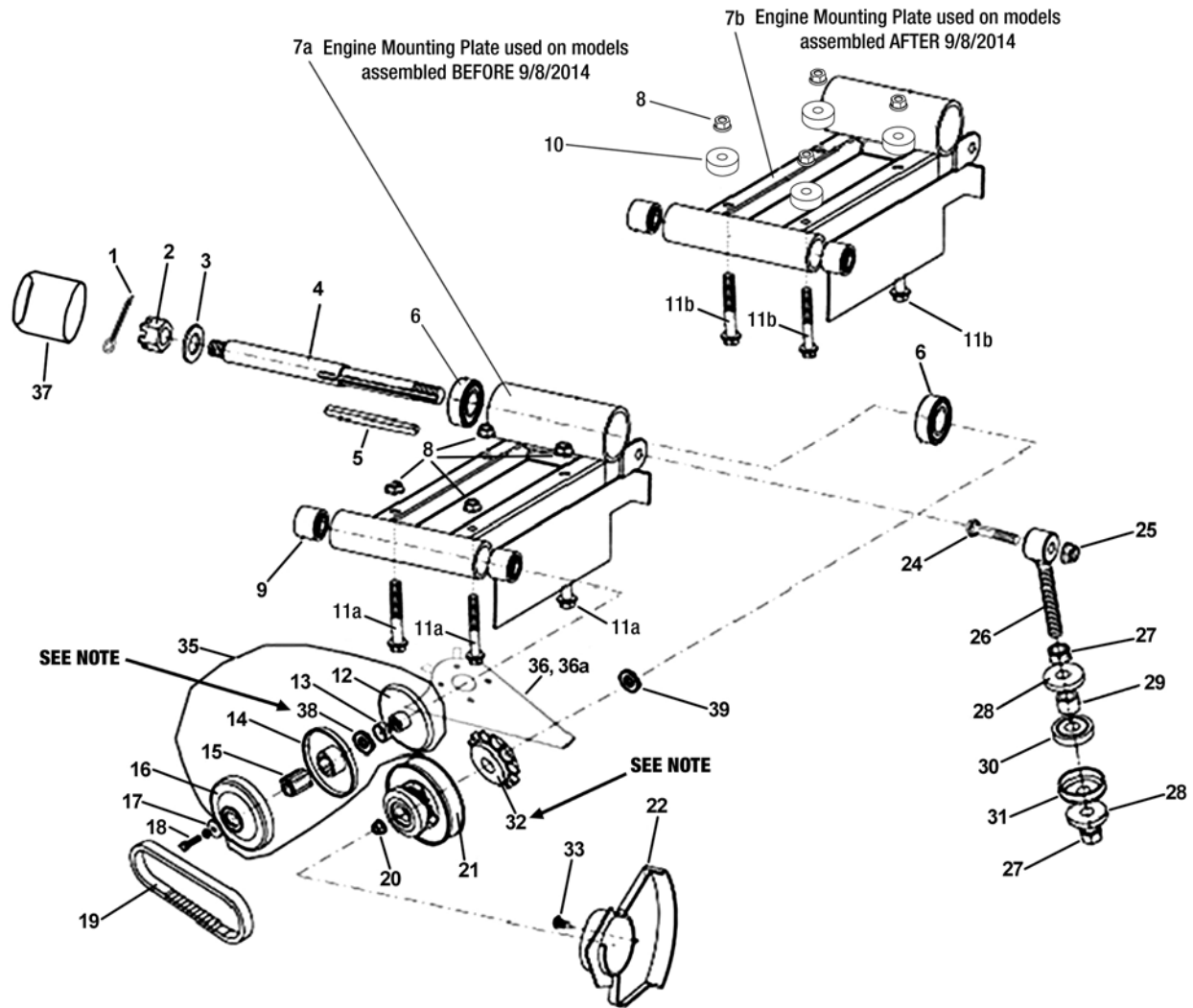


Ref #	Part #	Description	Qty
1	15271	SWITCH, ENGINE STOP ROCKER	1
2	15424	PLATE, MTG - ENGINE STOP SWITCH	1
3	15490	HARNESS, ENGINE STOP SWITCH	1
4	14246	BOLT, M10 X 1.25 X 40 FHCS ZN	6
5	14796	SHOCK, REAR - RED & BLACK	2
6	14243	NUT, M10 X 1.25 LOCKING FLANGE ZN	6
7	14661	BUSHING, SWINGARM ISOLATOR	2
8	14243	NUT, M10 X 1.25 LOCKING FLANGE ZN	1
9	15489	ASM, REAR SWINGARM - 5210	1
10	14662	BOLT, M10 X 1.25 X 174 HHCS	1
11	14666	SPANNER	1
12	14426	BOLT, M6 X 1.00 X 14 FHCS DAC	2
13	15054	COVER, DRIVE - PLASTIC	1
14	8227	NUT, 1/4-20 CLIP NUT	2
15	14778	SCREW, M4 X 1.75 X 12 PH	1
16	14341	BOLT, M6 X 1.00 X 20 FHCS	1

Ref #	Part #	Description	Qty
16a	14236	NUT, M6 X 1.00 NYLOC (not shown)	1
17	15390	BRKT, BELT COVER	1
17a	14426	BOLT, M6 X 1.00 X 14 FHCS DAC	1
18	14186	COVER, BATTERY	1
19	14187	STRAP, BATTERY HOLD DOWN	1
20	15653	BATTERY - YTX7A-BS	1
21	14188	GASKET, BATTERY CAP	1
22	15444	ENGINE, LCT 208CC 49 STATE	1
22	15388	ENGINE, LCT 208CC 50 STATE	1
23	15491	AIR FILTER - PAPER ELEMENT (for 136 / 208cc engines)	1
23	15060	AIR FILTER (ENTIRE ASSEMBLY includes 15491)	1
24	15057	SPARK PLUG, TORCH F6RTC	1
25	15059	PLUG, OIL DRAIN - LCT 136CC / 208CC	1
26	15058	DIPSTICK, OIL - LCT 136CC / 208CC	1
27	15055	CAP, FUEL - LCT 136CC / 208CC 49 STATE	1
27	15495	CAP, FUEL - LCT 208CC 50 STATE	1

NOTE: parts denoted as left or right hand are from driver's point of view.





## NOTE:

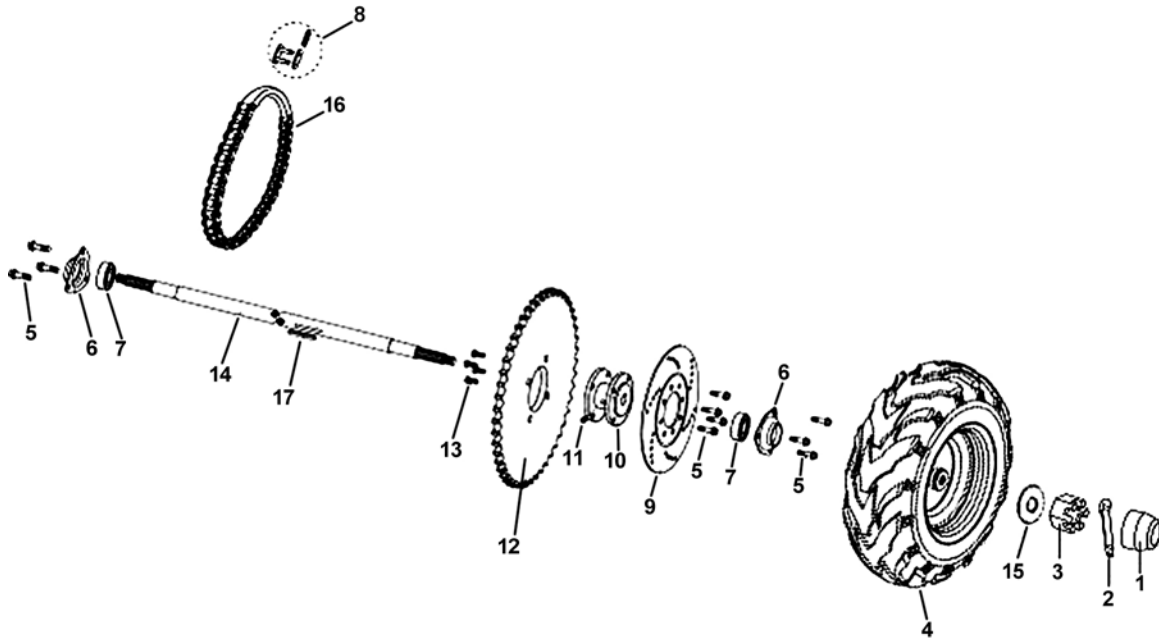
\* For vehicles assembled prior to March, 2013

\*\* For vehicles assembled after March, 2013

Provide your American SportWorks Customer Service Representative with the VIN to determine the vehicle's assembly date.

Ref#	Part#	Description	Qty
1	15542	PIN, M2.5 X 25 COTTER	1
2	14727	NUT, M14 X 1.25 CASTLE	1
3	14690	WASHER, M12 ZN	1
4	14691	SHAFT, SPROCKET & DRIVEN PULLEY	1
5	14692	KEY	1
6	14693	BEARING	2
7a	15494	ENGINE MOUNTING PLATE	1
7b	14800-2	ENGINE MOUNTING PLATE	1
8	14088	NUT, M8 X 1.25 LOCKING FLANGE ZN	4
9	14695	BUSHING	2
10	15768	SPACER, STEEL 30 OD x 8.5 ID x 11 L	4
11a	14697	BOLT, M8 X 1.25 X 60 FHCS	4
11b	15635	BOLT, M8 X 1.25 X 80 FHCS	4
12	14698	SHEAVE, STATIONARY	1
13	14699	BUSHING	1
14	14700	SHEAVE, MOVEABLE	1
15	14701	HUB	1
16	14702	DRUM	1
17	14703	WASHER, M8	1
18	1454	BOLT 5/16-24 X 1.750 HHCS G5	1
19	14704	Belt, 30S - 720mm OC	1

Ref#	Part#	Description	Qty
20	14705	NUT, M16 X 1.25 LOCKING FLANGE	1
21	14706	DRIVEN PULLEY	1
22	15061	GUARD, REAR CHAIN (black plastic)	1
23		(This item is intentionally left blank.)	
24	14446	BOLT, M10 X 1.25 X 45 FHCS ZN	1
25	14243	NUT, M10 X 1.25 LOCKING FLANGE ZN	1
26	14708	CHAIN ADJUSTER	1
27	14709	NUT, M12	2
28	14710	WASHER - CHAIN ADJUSTER	2
29	14469	SPACER, ENGINE ADJ ALIGNMENT	1
30	14467	BUSHING, ENGINE ADJ ISOLATOR	1
31	14468	SPACER, ENGINE ADJ CUP	1
32*	14714	SPROCKET, 10T DRIVEN	1
32**	15564	SPROCKET, 9T DRIVEN	1
33	14423	SCREW, M5 X 16 PHSM ZN	1
34		(This item is intentionally left blank.)	
35	14716	DRIVER PULLEY	1
36	15552	PLATE, BACK - 5210 (WITH TABS)	1
36a	9101	BOLT 5/16-24 X .500 HHCS G5 NL Z (not shown)	2
37	14723	CAP, JACKSHAFT 2 IN	1
38*	15464	SPACER, TORQUE CONV. DRIVER 30 SERIES	1
38**	14838	WASHER, FLAT 0.75 X 1.050 X 0.115 HT ZN	1
39	14724	WASHER, 29.5 X 17MM X 3.0	1



Ref #	Part #	Description	Qty
1	14627	CAP, HUB NOSE - BLACK	2
2	15541	COTTER PIN 3.2 X 40	2
3	14249	NUT, M16 X 1.5 CASTLE	2
4	15365	ASM, TIRE/WH RH - 18X9.5-8	1
4	15366	ASM, TIRE/WH LH - 18X9.5-8	1
4a	15487	TIRE, 18 X 9.5 - 8 FAR EAST "V" TREAD (not shown)	2
5	14434	BOLT, M8 X 1.25 X 16 FHCS ZN	10
6	14668	FLANGE BEARING	2
7	14593	BEARING 6005Z	2
8	14669	MASTER LINK	1
9	14670	DISK, REAR BRAKE - 150CC	1
10	14671	SPACER, SPROCKET	1
11	14769	SCREW, SET M8 X 1.25 X 14 SHCS PL	1
12	14672	SPROCKET, 60 TOOTH	1

Ref #	Part #	Description	Qty
13	14434	BOLT, M8 X 1.25 X 16 FHCS ZN	4
14	15488	AXLE - 5210	1
15	14724	WASHER, 29.5 X 17MM X 3.0 ZN	2
16	14675	CHAIN (#420 1/2" pitch)	1
17	14676	KEY, 5 X 5 X 75	1

**NOTE: parts denoted as left or right hand are from driver's point of view.**



7625 DiSalle Boulevard  
Fort Wayne IN 46825

62194 Commercial Street  
Roseland, LA 70456

Toll Free 800-643-7332  
Fax 800-399-1399  
[www.amsportworks.com](http://www.amsportworks.com)