



**AMERICAN
SPORTWORKS®**

800-643-7332 • amsportworks.com

3171 BLACK WIDOW

136CC FUN KART



136CC FUN KART

ILLUSTRATED PARTS LIST

TABLE OF CONTENTS

SECTION 1 FRAME GROUP WARNING LABELS	1
SECTION 2 FRAME GROUP	2
SECTION 3 INTERIOR	3
SECTION 4 FRONT SUSPENSION	4
SECTION 5 STEERING ASSEMBLY	5
SECTION 6 REAR SWINGARM	6
SECTION 7 JACKSHAFT	7
SECTION 8 REAR AXLE	8

⚠ WARNING



ALWAYS WEAR SEATBELT
Seatbelt must be properly fastened and adjusted for each occupant prior to operating the vehicle; See Owner's Manual.

11330-I

⚠ WARNING



EXHAUST GAS HARMFUL
Engine exhaust from this product contains chemicals, known in certain quantities to cause cancer, birth defects, or other reproductive harm.

11330-N

⚠ WARNING



ENTANGLEMENT HAZARD
Shoulder length and longer hair or loose clothing can get caught in moving parts behind or below the seat. **Restrain hair at or above shoulder level.** Restrained hair must not interfere with the proper fit of the helmet. **Securely restrain anything loose** that reaches behind or below the seat.

11330-B

⚠ WARNING



HOT SURFACES
Surfaces around the engine and exhaust can be extremely hot. Allow surfaces to cool before servicing.

11330-A

⚠ WARNING



This vehicle is not to be operated by anyone under **13** years of age. A speed reduction kit is available for this vehicle.

11330-T

⚠ WARNING

OBSERVE THE FOLLOWING INSTRUCTIONS
Failure to understand and follow Warnings and Instructions for the safe use and maintenance of this product may result in **Death or Injury!** This information is contained in the Warning Labels, Owner's Manual & Supplements, Safety Video, and Engine Manual supplied with this product. Make sure that you understand and follow all Warnings and Instructions in this material.

- Read owner/operator manuals carefully.
- Adult supervision required.
- Always wear a D.O.T.-approved motorcycle helmet, eye protection, and protective clothing.
- Do NOT operate the vehicle without the brush bars securely in place.
- Keep all covers and shields properly installed.
- Throttle, Stop Switch, and Brake Controls must work properly and freely before starting the engine.
- Operator must be seated, safety belt must be fastened, and brake applied before operating the vehicle.
- Not legal for street use. Use only on flat, level, off-road terrain.
- Not designed for racing or commercial use.
- Never operate at speeds too fast for your skills or the conditions.
- Never attempt jumps or other stunts.
- Never ride after consuming alcohol, drugs, or other intoxicants.

If you did not receive any of the material listed above, please call **1-800-643-7332** and request to have them sent to you at no charge.

11330-J

⚠ WARNING



CHECK TIRE PRESSURES
Improper inflation of tires can cause **loss of control**, resulting in **serious injury or death**. Refer to Owner's Manual for proper operating pressure.

11330-D

⚠ WARNING



NO RIDING
All occupants must be inside the vehicle and wearing the proper restraints and safety gear. **Absolutely no riding on the outside of the vehicle or on the cargo rack.**

11330-K

⚠ WARNING



WEAR A HELMET
Always wear a D.O.T.-approved motorcycle helmet when operating this vehicle.

11329

⚠ WARNING


GUARD MUST BE IN PLACE
This guard must be in place during engine operation. Keep hands, feet, and loose garments away from engine, chain, and drive components.

⚠ CAUTION

DO NOT PUT FOOT ON DRIVE COVER

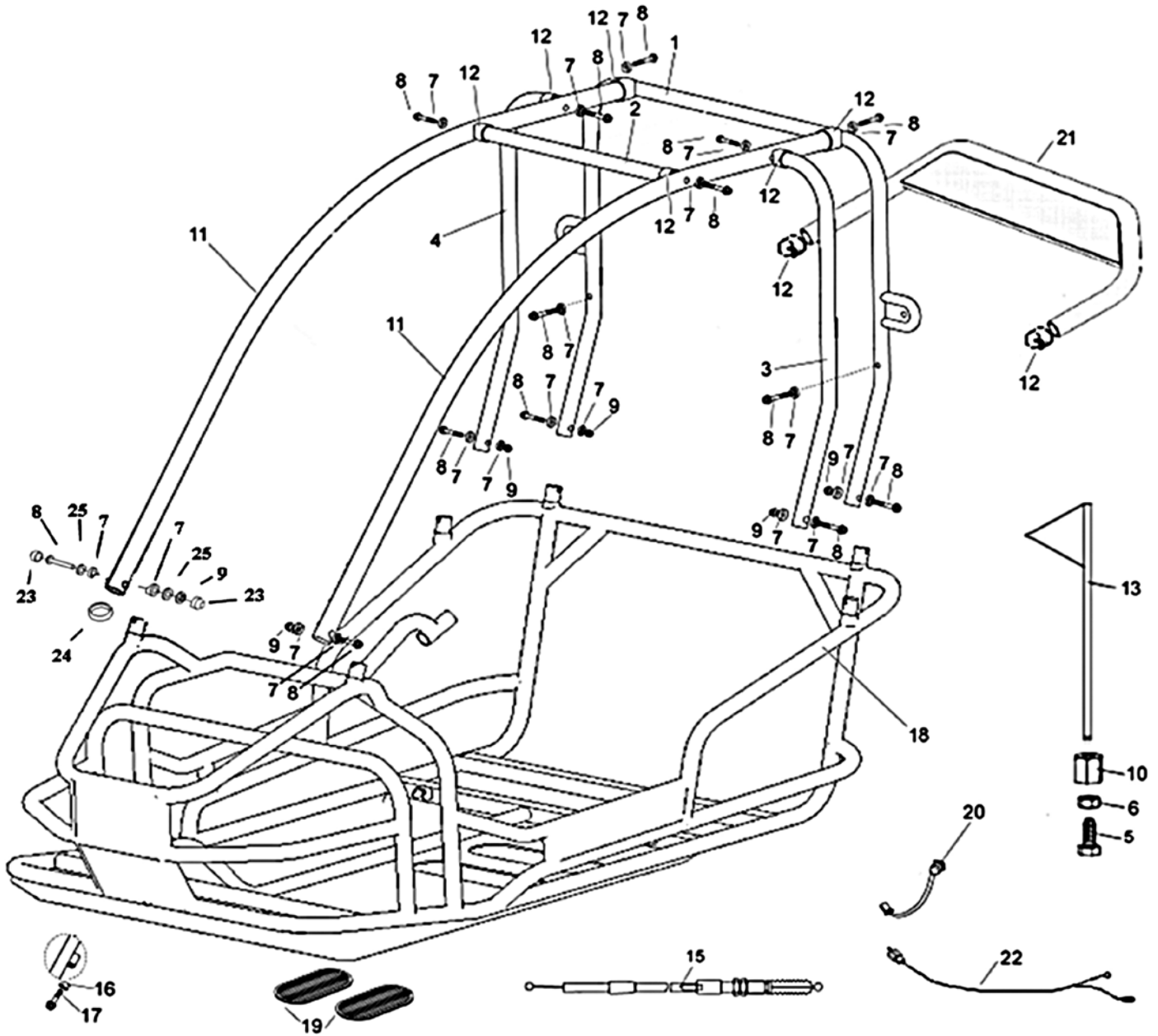
11330-C

⚠ WARNING



PINCH HAZARD
Exercise caution when working on drive components. Drive chain turns when vehicle is in motion. **Chock wheels before removing drive cover.** Never remove drive cover or attempt to service with engine running.

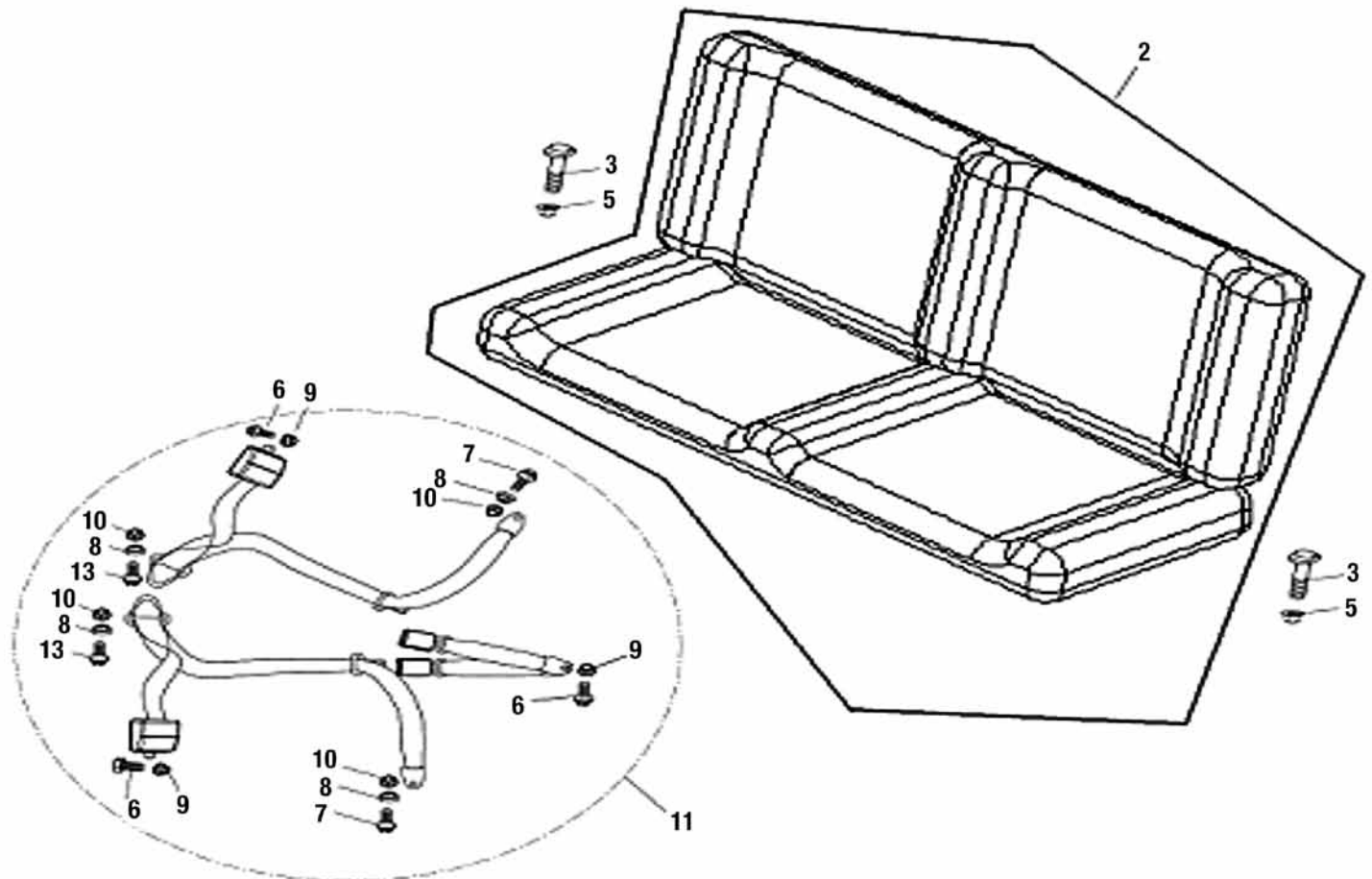
11330-R



Ref#	Part#	Description	Qty
1	14787-20	BAR, REAR C PILLAR - 3170 - YELLOW	1
2	14795-20	BAR, OH CROSS - 3170 - YELLOW	1
3	14603-20	BAR, LH B PILLAR - 3170 - YELLOW	1
4	14604-20	BAR, RH B PILLAR - 3170 - YELLOW	1
5	14465	BOLT, M12 X 1.75 X 30 FLAG MOUNT	1
6	14492	NUT, M12 X 1.25 HEX ZN	1
7	14087	WASHER, 8M CONCAVE CLAMP ZN	20
8	14696	BOLT, M8 X 1.25 X 50 FHCS ZN	14
9	14088	NUT, M8 X 1.25 LOCKING FLANGE ZN	6
10	14466	NUT, 1.75 THREAD DECORATIVE PLSTC FLG MNT	1
11	14607-20	BAR, OH FRONT - 3170 - YELLOW	2
12	14084	ENDCAP, BAR - 1.00 BLACK PLASTIC	8
13	14464	FLAG, SAFETY - SLI	1

Ref#	Part#	Description	Qty
14	14608	FOAM & COVER 291N, B PILLAR - BLK (OPTIONAL ACCESSORY FOR #3 & #4)	2
15	14609	CABLE, THROTTLE	1
16	14610	NUT, M8 X 1.25	1
17	14437	BOLT, M8 X 1.25 X 25 HHCS ZN	1
18	15050-2	FRAME, 3171 - BLACK	1
19	14612	PAD, RUBBER FOOT	2
20	14789	STOP SWITCH - 3170	1
21	14790-20	SPOILER, 3170 - YELLOW	1
22	14791	HARNES, WIRING - 3170	1
23	15113	COVER, BOLT CAP	20
24	15052	SEAL, CONNECTOR - RUBBER	6
25	15114	WASHER, BAR CONNECTION M8 X 24 X 1.25	20

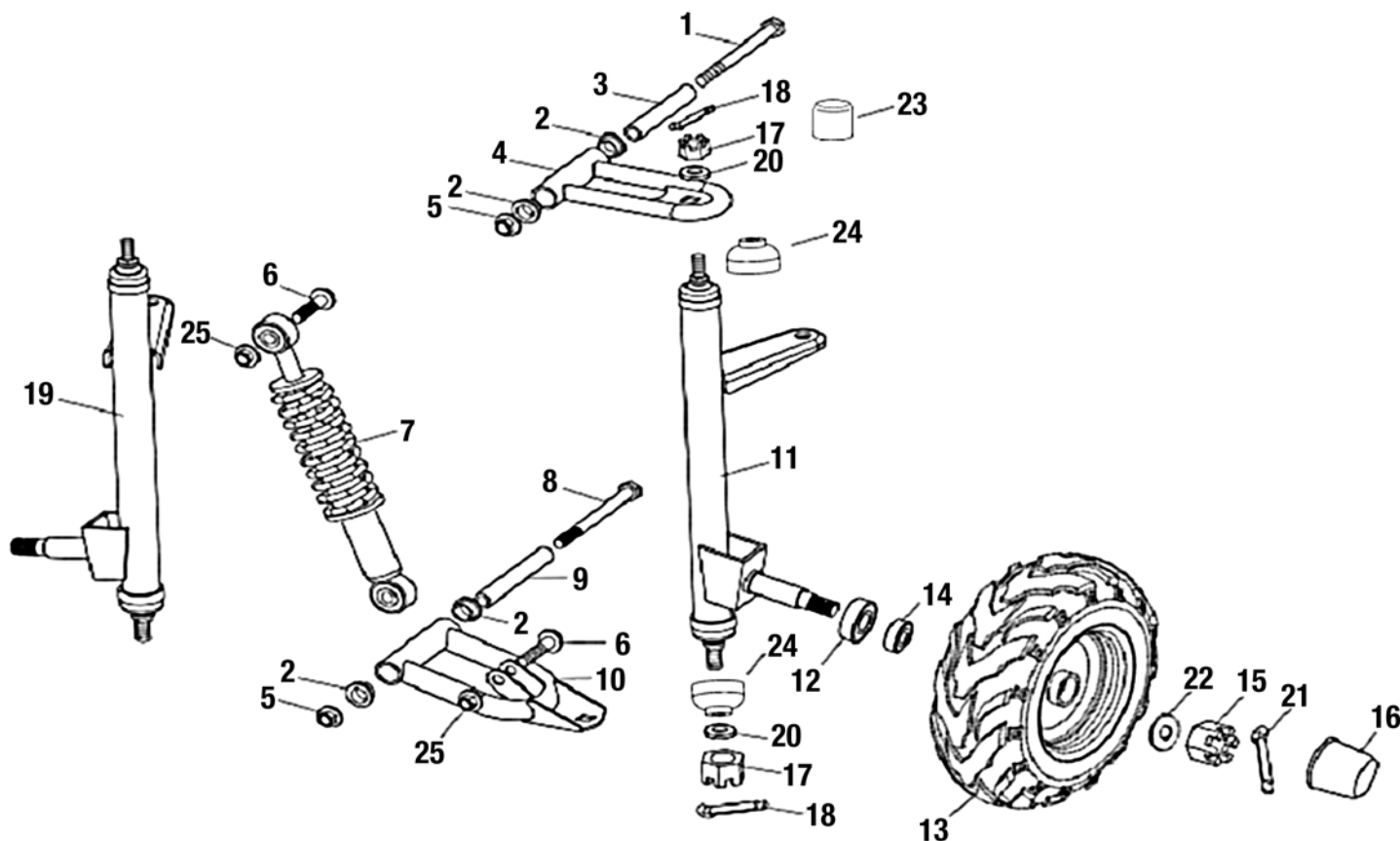
NOTE: parts denoted as left or right hand are from driver's point of view.



Ref#	Part#	Description	Qty
1	14686	BOLT, M10 X 1.25 X 30	1
2	15053	SEAT, BLACK VINYL BENCH - 3171	1
3	14435	BOLT, M8 X 1.25 X 22 FHCS	2
5	14088	NUT, M8 X 1.25 LOCKING FLANGE ZN	2
6	14451	BOLT, M12 X 1.25 X 25 FHCS ZN	2
7	14687	BOLT, M10 X 1.25 X 20 ZN	2

Ref#	Part#	Description	Qty
8	14289	SPACER, M10 STEPPED	4
9	14324	NUT, M12 X 1.25 LOCKING FLANGE ZN	2
10	14243	NUT, M10 X 1.25 LOCKING FLANGE ZN	5
11	14786	RETRACTABLE SEATBELT (WITHOUT SLEEVE)	2
11	8375	SEATBELT SLEEVE (NOT ILLUSTRATED)	2
13	82073	BOLT M10 X 1.25 X 25	2

NOTE: parts denoted as left or right hand are from driver's point of view.

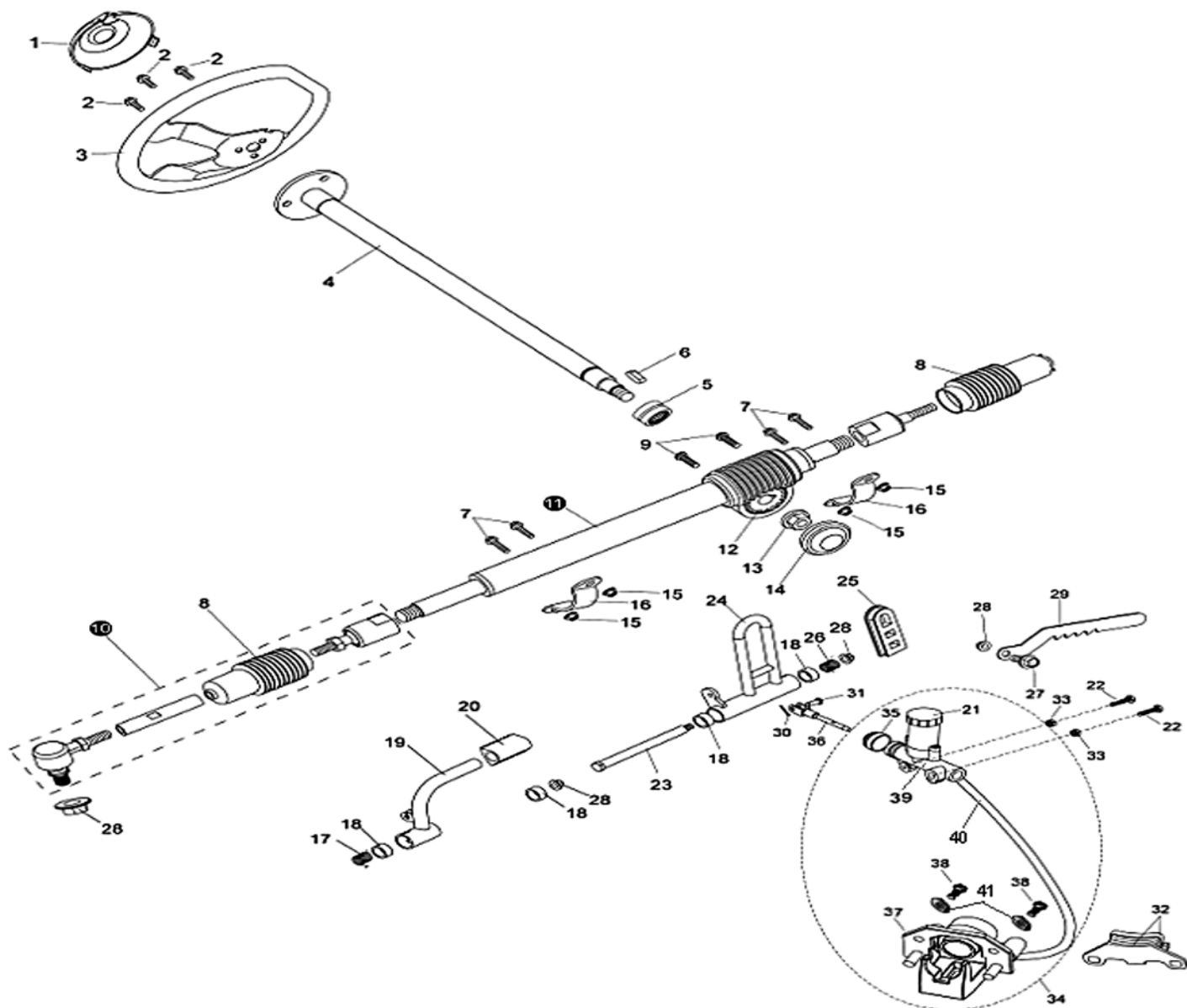


Ref#	Part#	Description	Qty
1	14615	BOLT, M8 X 1.25 X 95 FLANGE	2
2	14126	BUSHING, FLANGED SLEEVE 12 X 16 X 12	8
3	14617	UPPER SUSPENSION ARM COLLAR, 75MM	2
4	14618-20	UPPER SUSPENSION ARM - 3170 - YELLOW	2
5	14088	NUT, M8 X 1.25 LOCKING FLANGE ZN	4
6	14246	BOLT, M10 X 1.25 X 40 FHCS ZN	4
7	14793	SHOCK, FRONT BLACK	2
8	14620	BOLT, M8 X 1.25 X 105	2
9	14621	LOWER SUSPENSION ARM COLLAR, 85MM	2
10	14622-20	LOWER SUSPENSION ARM ASSY - 3170 - YELLOW	2
11	14623-2	SPINDLE AND STRUT SUPPORT, R - 3170 - BLACK	1
12	14624	BEARING 6003Z	2
13	14794	ASM, TIRE/WHEEL FRONT - 3170	2

Ref#	Part#	Description	Qty
14	14626	BEARING 6201	2
15	14244	NUT, M12 X 1.25 CASTLE ZN	2
16	14627	HUB COVER, FRONT 36MM ID	2
17	14242	NUT, M10 X 1.25 CASTLE	4
18	15557	PIN, M2.5 X 30 COTTER	4
19	14629-2	SPINDLE AND STRUT SUPPORT, L - 3170 - BLACK	1
20	14241	WASHER, M10 SPLIT LOCK ZN	4
21	14150	PIN, M2 X 20 COTTER	2
22	14316	SPACER, M15 INNER GEAR - 150CC	2
23	14923	CAP, NUT COVER RUB - BLK -3170/4170	2
24	14857	SEAL, BALL JOINT - 31XX/41XX	4
25	14243	NUT, M10 X 1.25 LOCKING FLANGE ZN	4

NOTE: parts denoted as left or right hand are from driver's point of view.

3171 SECTION 5 STEERING ASSEMBLY

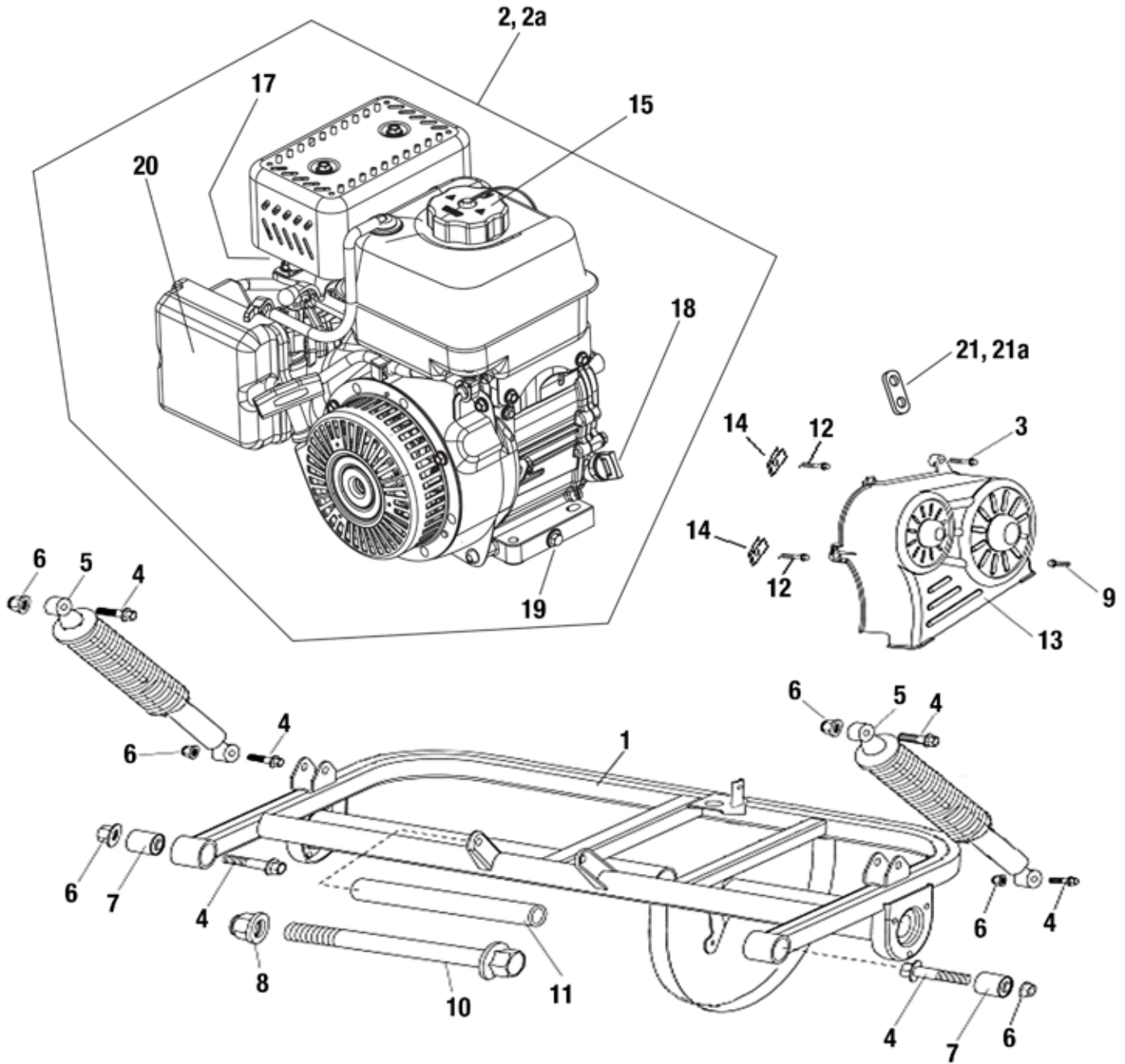


Ref#	Part#	Description	Qty
1	14631	COVER, STEERING WHEEL - 31X/41X	1
2	14426	BOLT, M6 X 1.00 X 14 FHCS ZN	3
3	14632	STEERING WHEEL - 31X/41X	1
4	14633-2	SHAFT, STEERING - 3170 - BLACK	1
5	14634	BEARING, 18 X 16	1
6	14635	KEY, 4 X 4 X 11.5	1
7	14341	BOLT, M6 X 1.00 X 20 FHCS ZN	4
8	14636	STEERING BALL JOINT DUST COVER	2
9	14565	SCREW, M5 X 12 PH	2
10	14637	ASM, TIE ROD END - 31X/41X - BLACK	2
11	14638	STEERING SHAFT, PLASTIC HOUSING	1
12	14639	STEERING GEAR	1
13	14243	NUT, M10 X 1.25 LOCKING FLANGE ZN	1
14	14641	DUST COVER	1
15	14236	NUT, M6 X 1.00 NYLOC FLANGE ZN	4
16	14642-2	STEERING GEAR BRACKET (R.S.B.) - BLACK	2
17	14643	SPRING, THROTTLE PEDAL	1
18	14119	BUSHING, SLEEVE 12 X 21 X 12	4
19	14645-2	PEDAL, THROTTLE - 3170 - BLACK	1
20	14526	CAP, THROTTLE PEDAL - 31X/41X/61X	1
21	14646	CAP, BRAKE MASTER CYLINDER	1

Ref#	Part#	Description	Qty
22	14647	BOLT, M6 X 1.0 X 25 ZN	2
23	14648	BOLT, M8 X 1.25 X 144 HHCS	1
24	14649-2	PEDAL, BRAKE - 3170 - BLACK	1
25	14650	PAD, BRAKE PEDAL - 31X/41X - BLACK	1
26	14651	SPRING, BRAKE PEDAL	1
27	14239	BOLT, M8 X 1.25 X 20 FHCS ZN	1
28	14088	NUT, M8 X 1.25 LOCKING FLANGE ZN	3
29	14652	LEVER, PARKING BRAKE - 31X/41X	1
30	14628	PIN, M1.6 X 14 COTTER	1
31	14653	STUD, 6 X 16	1
32	14654	KIT, BRAKE PAD - 31X/41X	1
33	14236	NUT, M6 X 1.00 NYLOC FLANGE ZN	2
34	14655	ASM, HYDRAULIC BRAKE	1
35	14656	BOOT, BRAKE	1
36	14657	SHAFT, BRAKE MASTER CYLINDER	1
37	14658	ASM, BRAKE CALIPER - 31X/41X	1
38	14455	BOLT, M8 X 1.25 X 14 SHCS PL	2
39	14744	MASTER CYLINDER, BRAKE - (RESERVOIR AND CAP INCLUDED)	1
40	14130	HOSE, HYD BRAKE - 75"	1
41	14748	WASHER, M8 SPLIT LOCK	2

NOTE: parts denoted as left or right hand are from driver's point of view.

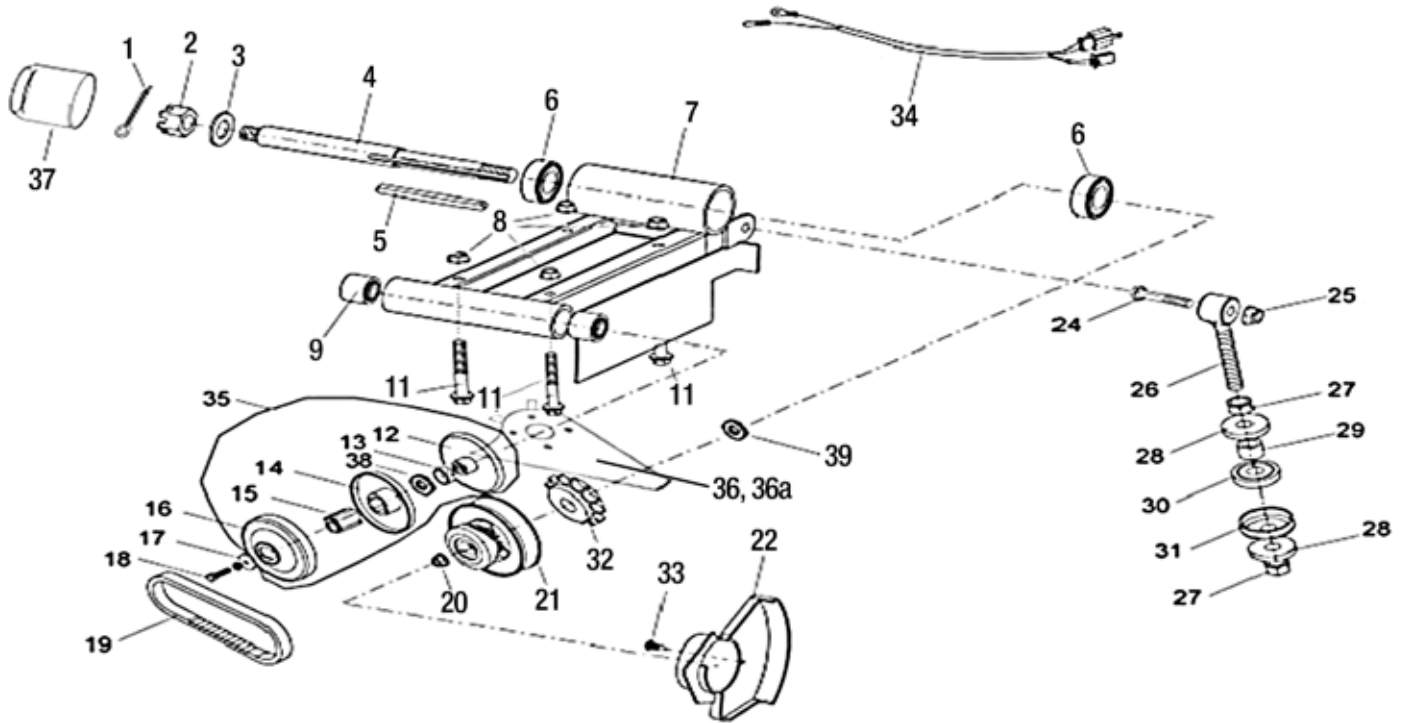
3171 SECTION 6 REAR SWING ARM



Ref#	Part#	Description	Qty
1	14799-2	ASM, REAR SWINGARM - 3170 - BLACK	1
2	15018	ENGINE, LCT 136CC W/TANK	1
2a	15426	ENGINE, LCT 136CC W/TANK 50 STATE	1
3	14341	BOLT, M6 X 1.00 X 20 FHCS ZN	1
3a	14236	NUT, M6 X 1.00 NYLOC	1
4	14246	BOLT, M10 X 1.25 X 40 FHCS ZN	6
5	14796	SHOCK, REAR 3170 - RED & BLACK	2
6	14243	NUT, M10 X 1.25 LOCKING FLANGE ZN	6
7	14661	BUSHING, SWINGARM ISOLATOR - 150CC	2
8	14243	NUT, M10 X 1.25 LOCKING FLANGE ZN	1
9	14778	SCREW, M4 X 1.75 X 12 PH	1
10	14662	BOLT, M10 X 1.25 X 174 HHCS	1
11	14666	SPANNER	1

Ref#	Part#	Description	Qty
12	14426	BOLT, M6 X 1.00 X 14 FHCS DAC	2
13	15054	COVER, DRIVE - 3171 - PLASTIC	1
14	8227	NUT 1/4-20 CLIP	2
15	15055	CAP, FUEL - LCT 136CC / 208CC 49 STATE	1
15a	N/A	CAP, FUEL - LCT 50 STATE	
17	15057	SPARK PLUG, TORCH F6RTC	1
18	15058	DIPSTICK, OIL - LCT 136CC	1
19	15059	PLUG, OIL DRAIN - LCT 136CC	1
20	15491	AIR FILTER - PAPER ELEMENT (for 136 / 208cc engines)	1
20	15060	AIR FILTER (ENTIRE ASSEMBLY includes 15491)	1
21	15390	BRKT, BELT COVER	1
21a	14426	BOLT, M6 X 1.00 X 14 FHCS DAC	1

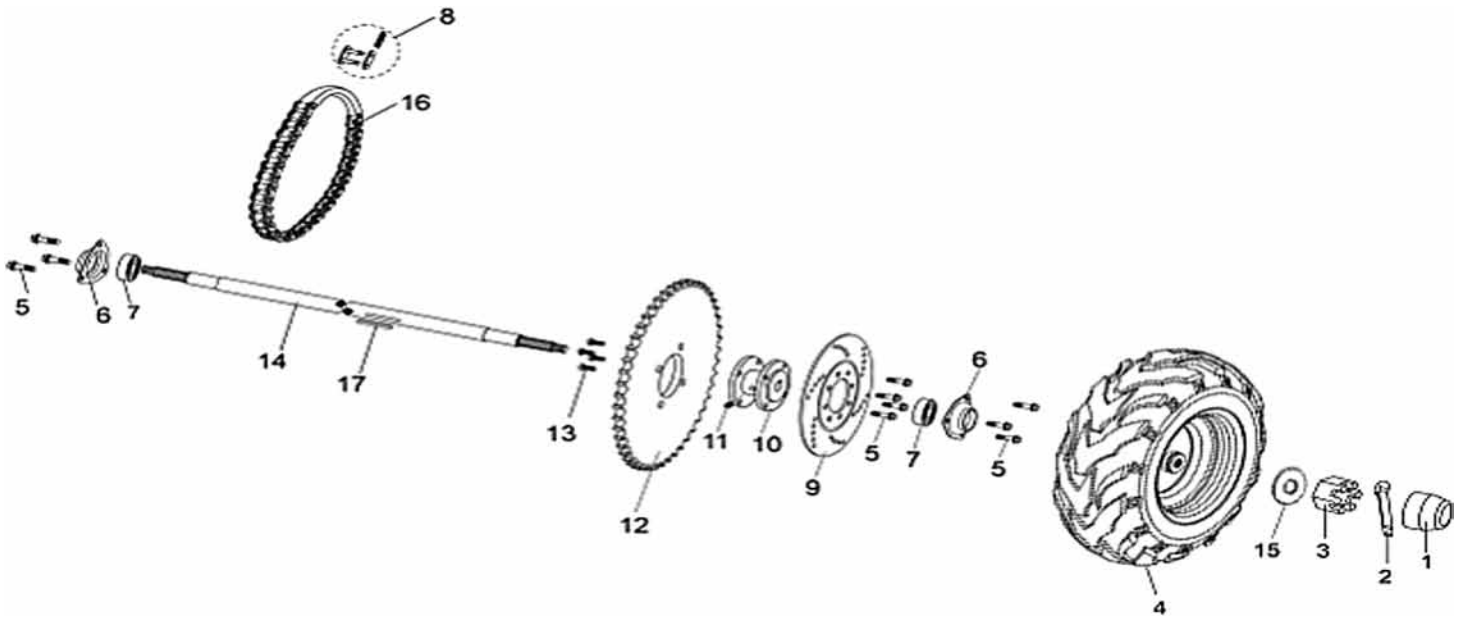
NOTE: parts denoted as left or right hand are from driver's point of view.



Ref#	Part#	Description	Qty
1	14150	PIN, M2 X 20 COTTER	1
2	14727	NUT, M14 X 1.25 CASTLE	1
3	14690	WASHER, M12 ZN	1
4	14691	SHAFT, SPROCKET & DRIVEN PULLEY	1
5	14692	KEY	1
6	14693	BEARING	2
7	14800-2	ENGINE MOUNTING PLATE - BLACK	1
8	14088	NUT, M8 X 1.25 LOCKING FLANGE ZN	4
9	14695	BUSHING	2
11	14697	BOLT, M8 X 1.25 X 60 FHCS	4
12	14698	SHEAVE, STATIONARY	1
13	14699	BUSHING	1
14	14700	SHEAVE, MOVEABLE	1
15	14701	HUB	1
16	14702	DRUM	1
17	14703	WASHER, M8	1
18	1454	BOLT 5/16-24 X 1.750 HHCS G5	1
19	5959	BELT	1
20	14705	NUT, M16 X 1.25 LOCKING FLANGE	1

Ref#	Part#	Description	Qty
21	14706	DRIVEN PULLEY	1
22	15061	GUARD, REAR CHAIN - 3171 - BLACK PLASTIC	1
24	14446	BOLT, M10 X 1.25 X 45 FHCS ZN	1
25	14243	NUT, M10 X 1.25 LOCKING FLANGE ZN	1
26	14708	CHAIN ADJUSTER	1
27	14709	NUT, M12	2
28	14710	WASHER - CHAIN ADJUSTER	2
29	14469	SPACER, ENGINE ADJ ALIGNMENT - 150CC	1
30	14467	BUSHING, ENGINE ADJ ISOLATOR - 150CC	1
31	14468	SPACER, ENGINE ADJ CUP - 150CC	1
32	14714	SPROCKET, 10T DRIVEN	1
33	14423	SCREW, M5 X 16 PHSM ZN	1
34	14791	HARNESS, WIRING - 3170	1
35	14716	DRIVER PULLEY	1
36	15062	PLATE, BACK - 3171 (WITH TABS)	1
36a	9101	BOLT, 5/16 - 24 x .5 HHCS (NOT SHOWN)	1
37	14723	CAP, JACKSHAFT 2 IN	1
38	14838	WASHER - SPEED REDUCTION	1
39	14724	WASHER, M16 FLAT 29.5MM X 17MM X 3.0	1

NOTE: parts denoted as left or right hand are from driver's point of view.



Ref#	Part#	Description	Qty
1	14627	CAP, HUB NOSE - BLACK	2
2	15557	COTTER PIN 2.5 X 30	2
3	14249	NUT, M16 X 2.00 CASTLE	2
4	14797	ASM, TIRE/WHEEL REAR - 3170	2
5	14434	BOLT, M8 X 1.25 X 16 FHCS ZN	10
6	14668	FLANGE BEARING - 150CC	2
7	14593	BEARING 6005Z	2
8	14669	MASTER LINK	1
9	14670	DISK, REAR BRAKE - 150CC	1

Ref#	Part#	Description	Qty
10	14671	SPACER, SPROCKET	1
11	14769	SCREW, SET M8 X 1.25 X 14 SHCS PL	1
12	14672	SPROCKET	1
13	14434	BOLT, M8 X 1.25 X 16 FHCS ZN	4
14	14798	AXLE - 3170	1
15	14724	WASHER, 29.5 X 17MM X 3.0 ZN	2
16	14675	CHAIN	1
17	14676	KEY, 5 X 5 X 75	1

NOTE: parts denoted as left or right hand are from driver's point of view.



7625 DiSalle Boulevard
Fort Wayne IN 46825

62194 Commercial Street
Roseland, LA 70456

Toll Free 800-643-7332
Fax 800-399-1399
www.amsportworks.com