



**AMERICAN  
SPORTWORKS®**

800-643-7332 • [amsportworks.com](http://amsportworks.com)

## **200 SERIES LUTV** 2014 Model 201

WITH 150cc ENGINE

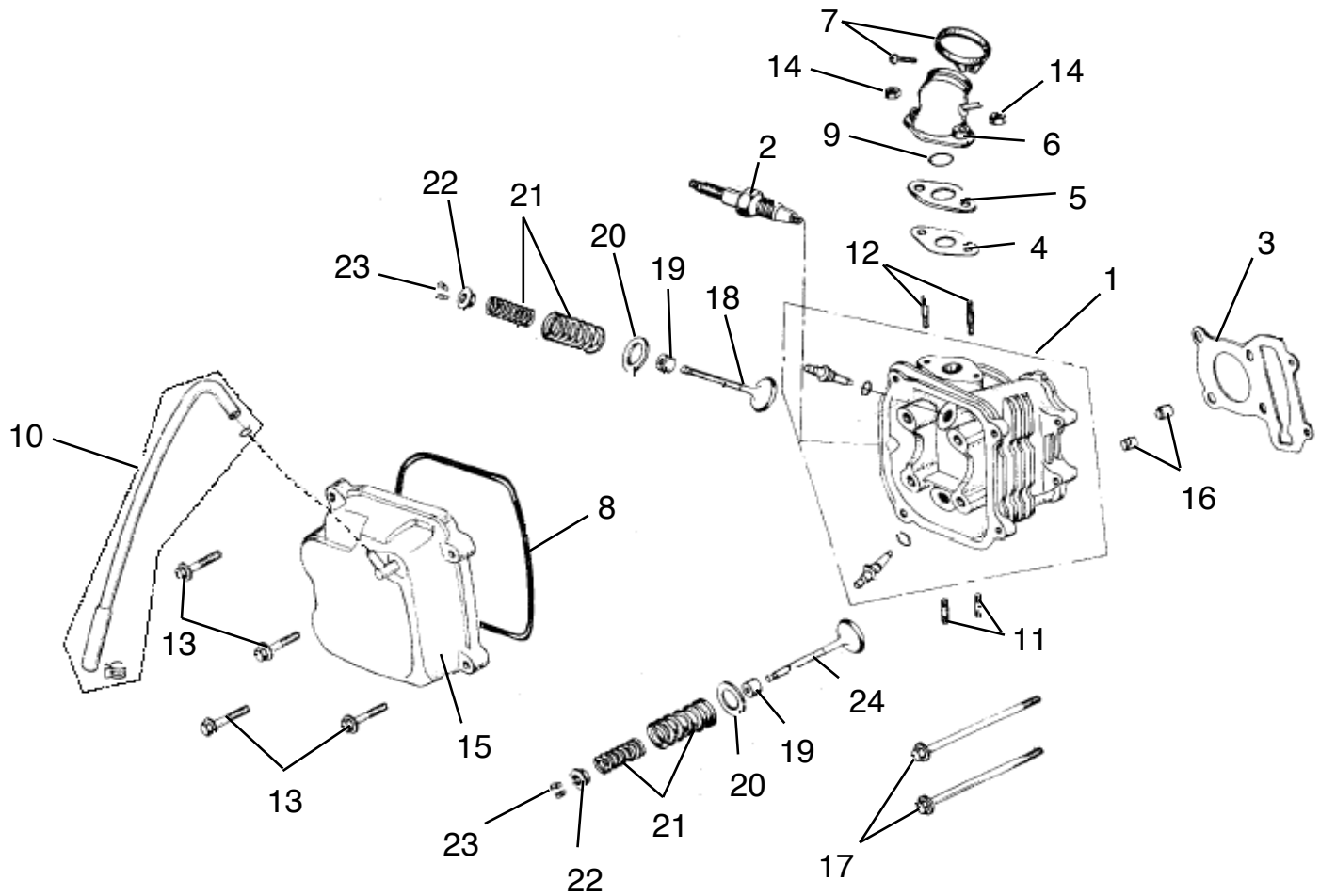


**150CC 2 WHEEL DRIVE LIGHT UTILITY VEHICLE**

**ILLUSTRATED PARTS LIST**

# TABLE OF CONTENTS

|  |       |
|--|-------|
| <b>SECTION 1 CYLINDER HEAD ASSEMBLY</b> .....          | 1     |
| <b>SECTION 2 CYLINDER</b> .....                        | 2     |
| <b>SECTION 3 ENGINE CRANKCASE</b> .....                | 3     |
| <b>SECTION 4 TRANSMISSION</b> .....                    | 4     |
| <b>SECTION 5 CVT COVER</b> .....                       | 5     |
| <b>SECTION 6 OUTER CRANKCASE ASSEMBLY</b> .....        | 6     |
| <b>SECTION 7 PISTON / CRANK / CONNECTING ROD</b> ..... | 7     |
| <b>SECTION 8 CAMSHAFT ASSEMBLY</b> .....               | 8     |
| <b>SECTION 9 OIL PUMP ASSEMBLY</b> .....               | 9     |
| <b>SECTION 10 DRIVEN PULLEY &amp; CLUTCH</b> .....     | 10    |
| <b>SECTION 11 ENGINE ELECTRICAL</b> .....              | 11    |
| <b>SECTION 12 ELECTRIC START</b> .....                 | 12    |
| <b>SECTION 13 DRIVER PULLEY</b> .....                  | 13    |
| <b>SECTION 14 FAN COVER / SHROUD ASSEMBLY</b> .....    | 14    |
| <b>SECTION 15 CARBURETOR</b> .....                     | 15    |
| <b>SECTION 16 FRAME GROUP</b> .....                    | 16,18 |
| <b>SECTION 17 STEERING &amp; BRAKES</b> .....          | 19    |
| <b>SECTION 18 FRONT SUSPENSION</b> .....               | 20    |
| <b>SECTION 19 BED / TAILGATE</b> .....                 | 21    |
| <b>SECTION 20 ENGINE / MUFFLER / AIR CLEANER</b> ..... | 22    |
| <b>SECTION 21 SWINGARM ASSEMBLY</b> .....              | 23    |
| <b>SECTION 22 REAR AXLE</b> .....                      | 24    |
| <b>SECTION 23 ELECTRICAL</b> .....                     | 25    |

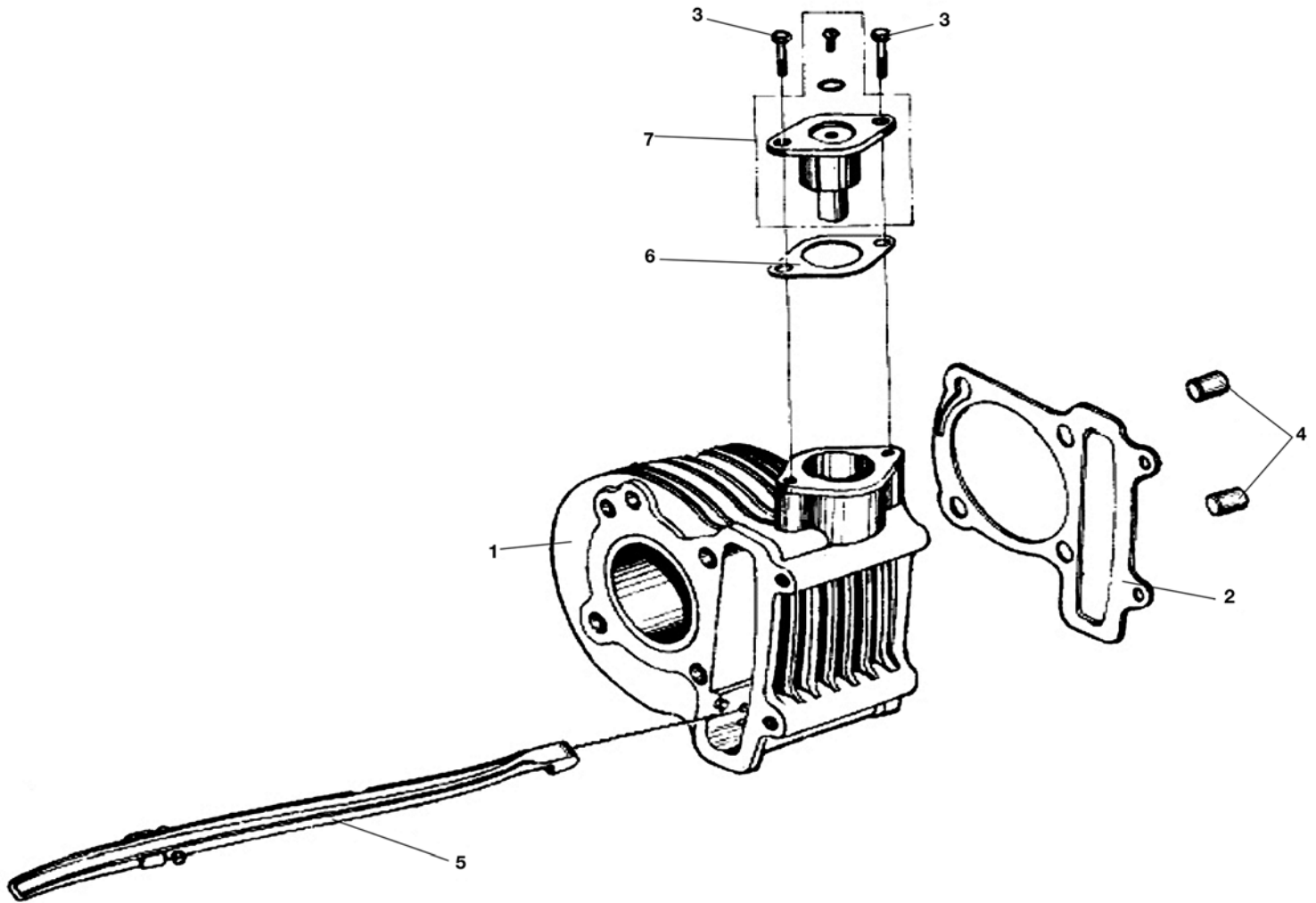


| Ref# | Part# | Description                    | Qty |
|------|-------|--------------------------------|-----|
| 1    | 14254 | HEAD, CYLINDER - 150CC         | 1   |
| 2    | 50304 | SPARK PLUG (CR7HSA)            | 1   |
| 3    | 14255 | GASKET, CYL HEAD - 150CC       | 1   |
| 4    | 14256 | GASKET, CARB INSULATOR - 150CC | 1   |
| 5    | 14257 | INSULATOR, CARB - 150CC        | 1   |
| 6    | 14258 | MANIFOLD, INTAKE - 150CC       | 1   |
| 7    | 14259 | CLAMP, CARB HOSE - 150CC       | 1   |
| 8    | 14260 | GASKET, VALVE COVER - 150CC    | 1   |
| 9    | 14261 | O-RING, M27 X 2 RUBBER - 150CC | 1   |
| 10   | 14262 | TUBE, BREATHER - 150CC         | 1   |
| 11   | 14263 | STUD, M6 X 1.25 X 18           | 2   |
| 12   | 14264 | STUD, M6 X 1.25 X 50           | 2   |

| Ref# | Part# | Description                           | Qty |
|------|-------|---------------------------------------|-----|
| 13   | 50003 | BOLT, M6 x 1.00 x 25 HHF              | 4   |
| 14   | 50024 | NUT, M6 x 1.00 HEX FLANGE             | 2   |
| 15   | 14265 | COVER, VALVE - 150CC                  | 1   |
| 16   | 14266 | PIN, M10 X 16 DOWEL                   | 2   |
| 17   | 50087 | BOLT FLANGE SH 6 X 100                | 2   |
| 18   | 14267 | VALVE, INTAKE - 150CC                 | 1   |
| 19   | 14268 | SEAL, VALVE STEM - 150CC              | 2   |
| 20   | 14269 | SEAT, VALVE SPRING OUTER - 150CC      | 2   |
| 21   | 14270 | SPRING, OUTER AND INNER VALVE - 150CC | 2   |
| 22   | 14271 | RETAINER, VALVE SPRING - 150CC        | 2   |
| 23   | 14272 | KEEPER, VALVE SPRING - 150CC          | 4   |
| 24   | 14273 | VALVE, EXHAUST - 150CC                | 1   |

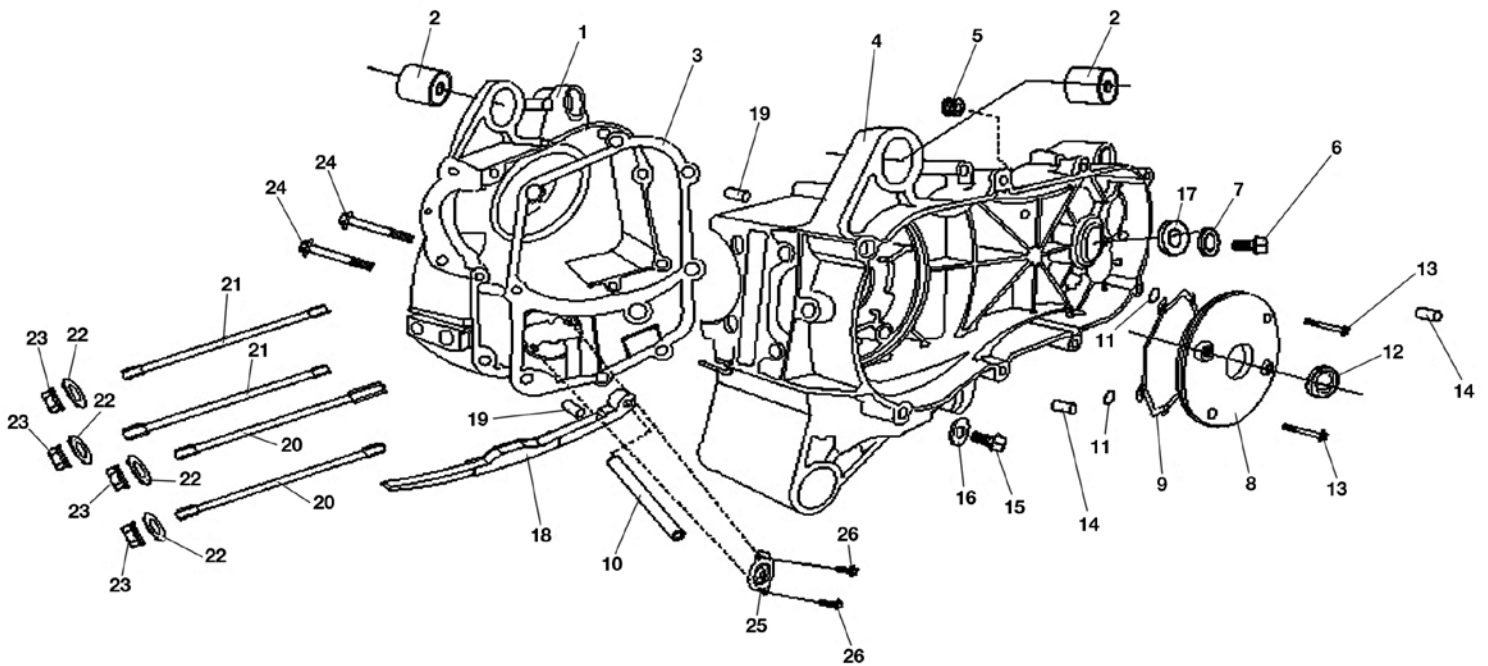
NOTE: parts denoted as left or right hand are from driver's point of view.

# 200 SERIES LUTV SECTION 2 CYLINDER



| Ref # | Part # | Description                         | Qty |
|-------|--------|-------------------------------------|-----|
| 1     | 14317  | CYLINDER - 150CC                    | 1   |
| 2     | 14582  | GASKET, CYLINDER BASE - 150CC       | 1   |
| 3     | 50032  | BOLT FLANGE SH 6 X 22               | 2   |
| 4     | 14266  | PIN, M10 X 16 DOWEL                 | 2   |
| 5     | 14276  | TENSIONER, CAM CHAIN - 150CC        | 1   |
| 6     | 14275  | GASKET, CAM CHAIN TENSIONER - 150CC | 1   |
| 7     | 14274  | ASM, CAM CHAIN TENSIONER - 150CC    | 1   |

**NOTE:** parts denoted as left or right hand are from driver's point of view.



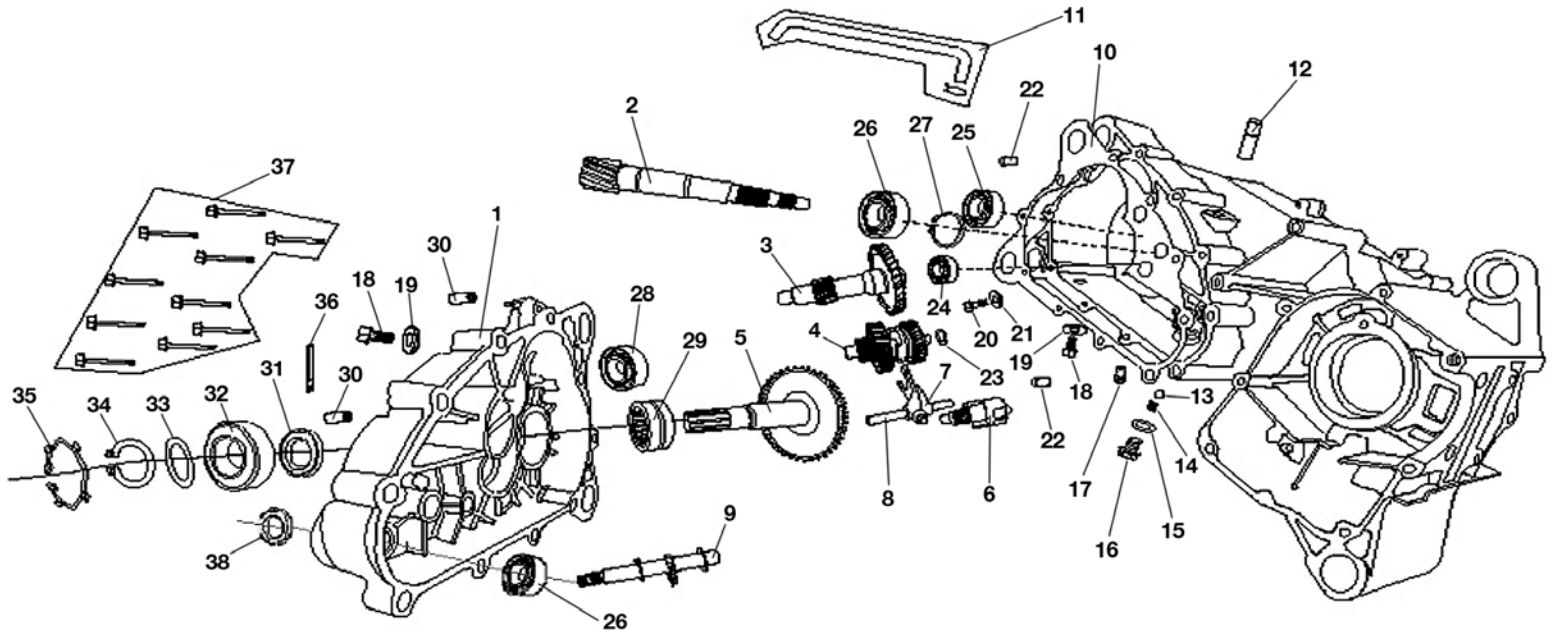
\* ASW determined that it is more cost effective due to labor to replace the entire engine if this part is needed. Once this determination was made, ASW stopped ordering this part as a replacement item and are now sold out.

| Ref# | Part# | Description                           | Qty |
|------|-------|---------------------------------------|-----|
| 1    | 14277 | (OUT OF STOCK)* HOUSING, CRANKCASE RH | 1   |
| 2    | 14278 | BUSHING, ENGINE HANGER - 150CC        | 2   |
| 3    | 14279 | GASKET, CRANKCASE - 150CC             | 1   |
| 4    | 14280 | HOUSING, CRANKCASE LH - 150CC         | 1   |
| 5    | 14558 | GROMMET                               | 1   |
| 6    | 14281 | BOLT, M10 X 1.25 X 15 FHCS ZN         | 1   |
| 7    | 14282 | WASHER, M10.2 X 18 X 1.3 FLAT         | 1   |
| 8    | 14283 | COVER, SMALL LEFT - 150CC             | 1   |
| 9    | 14284 | O-RING, M108 X 2                      | 1   |
| 10   | 14559 | PIN                                   | 1   |
| 11   | 14285 | O-RING, M6 X 1.8                      | 2   |
| 12   | 50104 | OIL SEAL 19.8 X 30 X 5                | 1   |
| 13   | 14286 | BOLT, M6 X 1.00 X 18 FHCS ZN          | 4   |

| Ref# | Part# | Description                     | Qty |
|------|-------|---------------------------------|-----|
| 14   | 14287 | PIN, M10 X 14 DOWEL             | 2   |
| 15   | 14288 | BOLT, M12 X 1.5 SPECIAL - 150CC | 1   |
| 16   | 14690 | WASHER, M12 DAC                 | 2   |
| 17   | 14290 | SEAL, M20 X 32 X 6              | 2   |
| 18   | 14883 | GUIDE, CAM CHAIN - 150CC        | 1   |
| 19   | 50016 | PIN DOWEL SPECIAL 8 X 14        | 2   |
| 20   | 14291 | STUD, M8 X 1.25 X 195.5         | 2   |
| 21   | 14292 | STUD, M8 X 1.25 X 187.5         | 2   |
| 22   | 14293 | WASHER, M8 FLAT ZN              | 4   |
| 23   | 14294 | NUT, M8 X 1.25 FLANGE HEAD      | 4   |
| 24   | 14295 | BOLT, M6 X 1.00 X 50 FHCS ZN    | 2   |
| 25   | 14501 | SPACER, OIL - 150CC             | 1   |
| 26   | 14296 | BOLT, M6 X 1.00 X 12 FHCS ZN    | 2   |

**NOTE:** parts denoted as left or right hand are from driver's point of view.

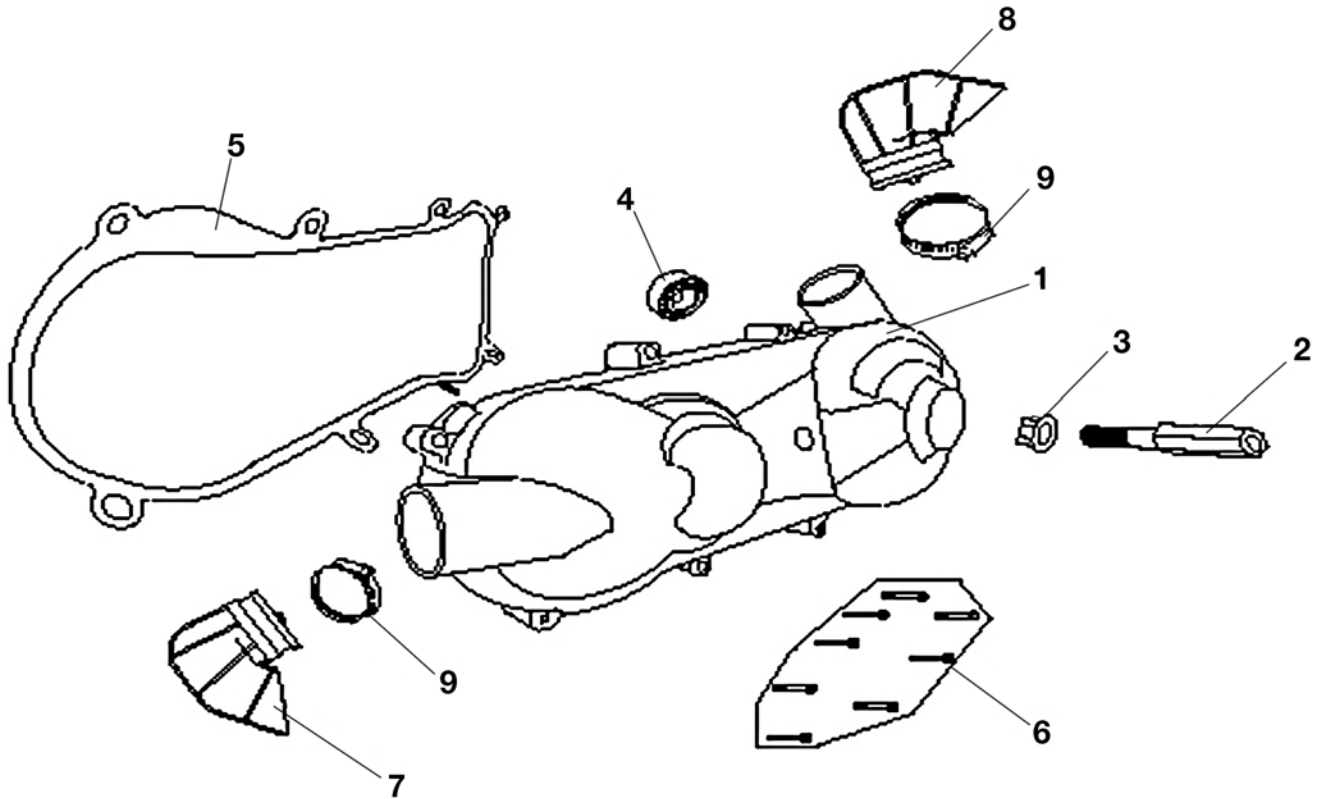
# 200 SERIES LUTV SECTION 4 TRANSMISSION



| Ref# | Part# | Description                           | Qty |
|------|-------|---------------------------------------|-----|
| 1    | 14297 | HOUSING, OUTER TRANSMISSION - 150CC   | 1   |
| 2    | 14298 | GEAR, PRI DRIVE - 150CC               | 1   |
| 3    | 14299 | GEAR, SEC DRIVE - 150CC               | 1   |
| 4    | 14300 | ASM, SHIFT GEAR CLUSTER D/N/R - 150CC | 1   |
| 5    | 14841 | GEAR, FINAL DRIVE SHAFT - 150CC       | 1   |
| 6    | 14302 | ASM, SHIFT SELECTOR - 150CC           | 1   |
| 7    | 14303 | PAWL, SHIFT SELECTOR - 150CC          | 1   |
| 8    | 14304 | ROD, SHIFT PAWL - 150CC               | 1   |
| 9    | 14305 | SHAFT, SHIFTER CAM - 150CC            | 1   |
| 10   | 14306 | GASKET, TRANSMISSION CASE - 150CC     | 1   |
| 11   | 14307 | TUBE, TRANSMISSION VENT - 150CC       | 1   |
| 12   | 14308 | NIPPLE, VENT TUBE - 150CC LARGE       | 1   |
| 13   | 14309 | BALL, SHIFT INDENT - 150CC            | 1   |
| 14   | 14310 | SPRING, SHIFT INDENT - 150CC          | 1   |
| 15   | 14311 | GASKET, SHIFT INDENT - 150CC          | 1   |
| 16   | 14312 | BOLT, SHIFT INDENT - 150CC            | 1   |
| 17   | 14502 | NIPPLE, VENT TUBE - 150CC SMALL       | 1   |
| 18   | 14313 | BOLT, DRAIN/FILL PLUG - 150CC         | 2   |
| 19   | 14314 | GASKET, TRANS DRAIN PLUG - 150CC      | 2   |

| Ref# | Part# | Description                      | Qty |
|------|-------|----------------------------------|-----|
| 20   | 14296 | BOLT, M6 X 1.00 X 12 FHCS ZN     | 2   |
| 21   | 14315 | WASHER, M6 FLAT                  | 2   |
| 22   | 14287 | PIN, M10 X 14 DOWEL              | 2   |
| 23   | 14316 | SPACER, M15 INNER GEAR - 150CC   | 1   |
| 24   | 14149 | BEARING, OUTER - 6202-Z          | 1   |
| 25   | 50102 | BEARING BALL RADIAL 6203         | 1   |
| 26   | 14146 | BEARING, INNER - 6204-Z          | 1   |
| 27   | 14106 | CIRCLIP, M20                     | 1   |
| 28   | 14503 | BEARING, 6302 15 X 42 X 13       | 1   |
| 29   | 14504 | BEARING, RNA4905 30 X 42 X 17    | 1   |
| 30   | 14505 | BUSHING, SHOCK ABSORBING - 150CC | 2   |
| 31   | 14318 | SEAL, M30 X 40 X 6               | 1   |
| 32   | 14598 | BEARING, SEALED 6205 - 150CC     | 1   |
| 33   | 14511 | WASHER, M22 X 31 X 2.5 FLAT      | 1   |
| 34   | 14319 | CIRCLIP, M25                     | 1   |
| 35   | 14320 | CIRCLIP, M52                     | 1   |
| 36   | 14321 | CLAMP, WIRE - 150CC              | 1   |
| 37   | 14235 | BOLT, M6 X 1.00 X 40 FHCS ZN     | 10  |
| 38   | 14597 | OIL SEAL, SHIFTER CAM - 150CC    | 1   |

NOTE: parts denoted as left or right hand are from driver's point of view.

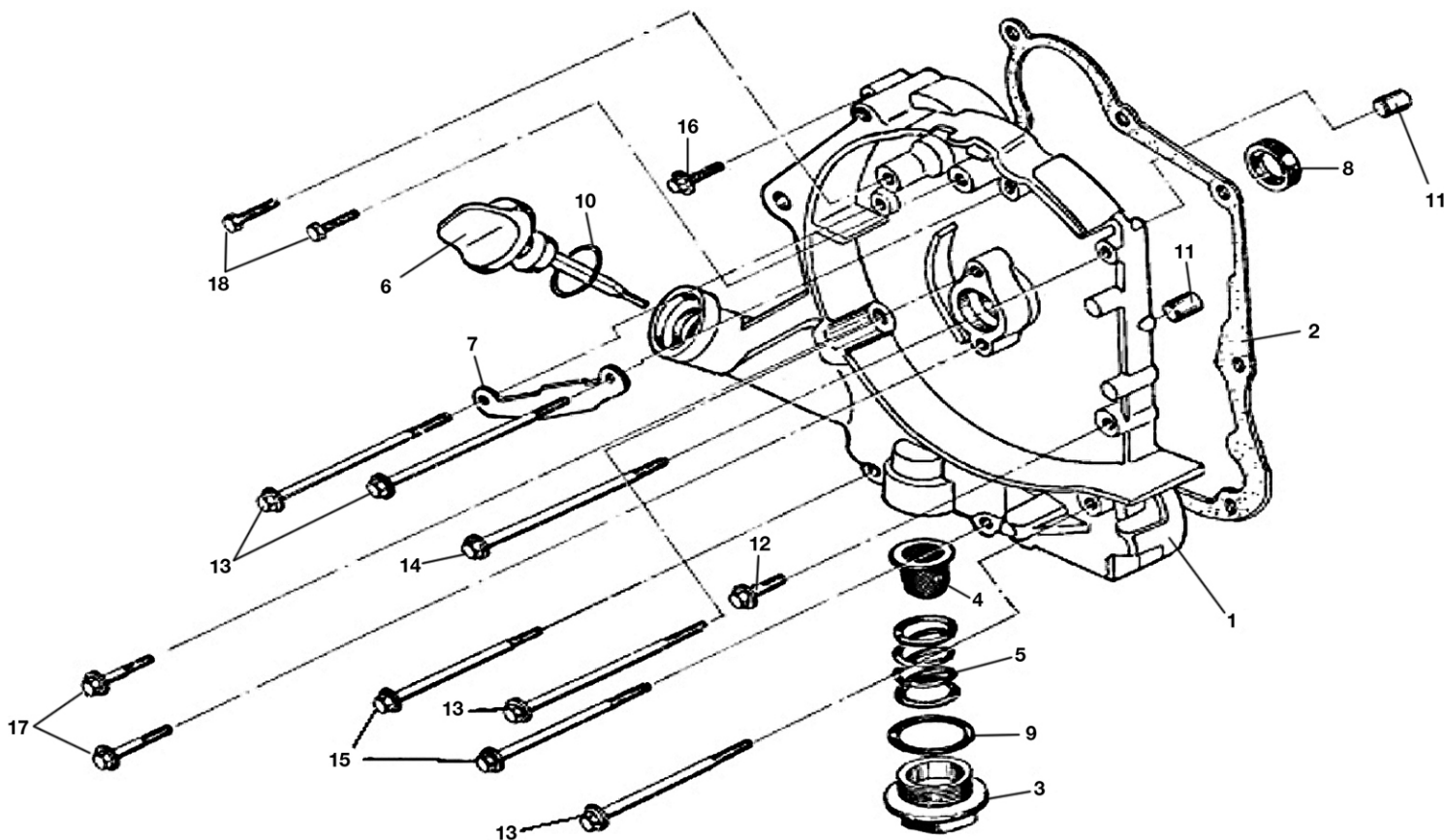


| Ref# | Part# | Description                       | Qty |
|------|-------|-----------------------------------|-----|
| 1    | 14323 | COVER, CVT - 150CC                | 1   |
| 2    | 14507 | BRACKET, EXHAUST - 150CC          | 1   |
| 3    | 14324 | NUT, M12 X 1.25 LOCKING FLANGE ZN | 1   |
| 4    | 14508 | BEARING, 6200 10 X 30 X 9         | 2   |
| 5    | 14325 | GASKET, CVT COVER - 150CC         | 1   |
| 6    | 14235 | BOLT, M6 X 1.00 X 40 FHCS ZN      | 8   |
| 7    | 14322 | SNORKEL, CVT - 150CC              | 1   |
| 8    | 14322 | SNORKEL, CVT - 150CC              | 1   |
| 9    | 14509 | CLAMP, SNORKEL - 150CC            | 2   |

**NOTE:** parts denoted as left or right hand are from driver's point of view.



# 200 SERIES LUTV SECTION 6 OUTER CRANKCASE ASSEMBLY

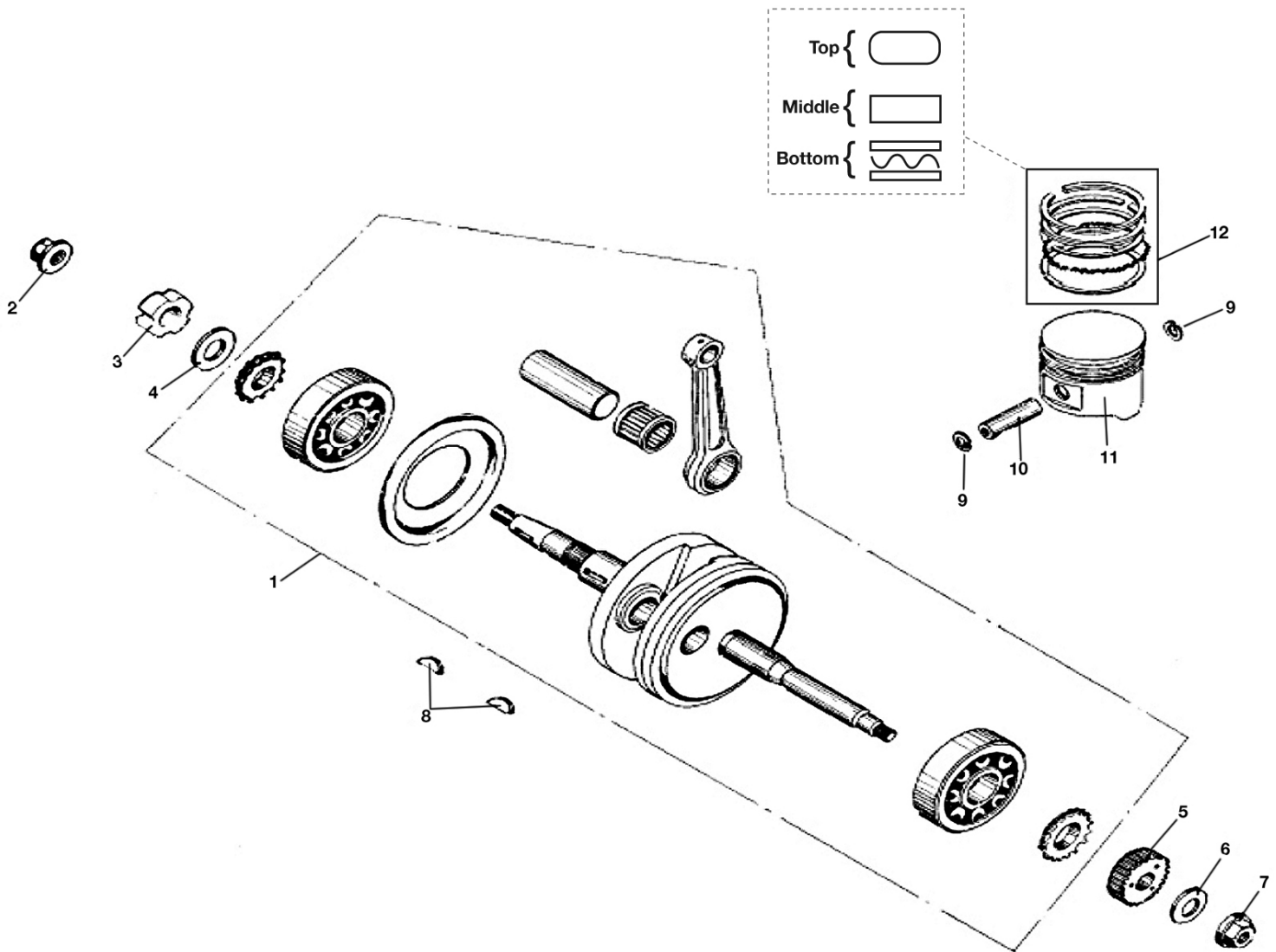


| Ref# | Part# | Description                       | Qty |
|------|-------|-----------------------------------|-----|
| 1    | 14326 | COVER, OUTER CRANKCASE RH - 150CC | 1   |
| 2    | 14327 | GASKET, OUTER CRANKCASE - 150CC   | 1   |
| 3    | 14328 | CAP, OIL DRAIN - 150CC            | 1   |
| 4    | 14329 | SCREEN, OIL FILTER - 150CC        | 1   |
| 5    | 14330 | SPRING, OIL FILTER SCREEN - 150CC | 1   |
| 6    | 14331 | DIPSTICK, OIL FILL - 150CC        | 1   |
| 7    | 14332 | CLAMP, AC GENERATOR - 150CC       | 1   |
| 8    | 14333 | SEAL, M19.8 X 30 X 5 OIL          | 1   |
| 9    | 14334 | O-RING, M30.8 X 3                 | 1   |
| 10   | 14335 | O-RING, M18 X 3                   | 1   |
| 11   | 50016 | PIN DOWEL SPECIAL 8 X 14          | 2   |
| 12   | 14336 | BOLT, M6 X 1.00 X 28 FHCS ZN      | 1   |
| 13   | 14337 | BOLT, M6 X 1.00 X 95 FHCS ZN      | 4   |
| 14   | 14338 | BOLT, M6 X 1.00 X 100 FHCS ZN     | 1   |
| 15   | 14339 | BOLT, M6 X 1.00 X 110 FHCS ZN     | 2   |
| 16   | 14340 | BOLT, M6 X 1.00 X 35 FHCS ZN      | 1   |
| 17   | 14341 | BOLT, M6 X 1.00 X 20 FHCS ZN      | 2   |
| 18   | 14296 | BOLT, M6 X 1.00 X 12 FHCS ZN      | 2   |

NOTE: parts denoted as left or right hand are from driver's point of view.



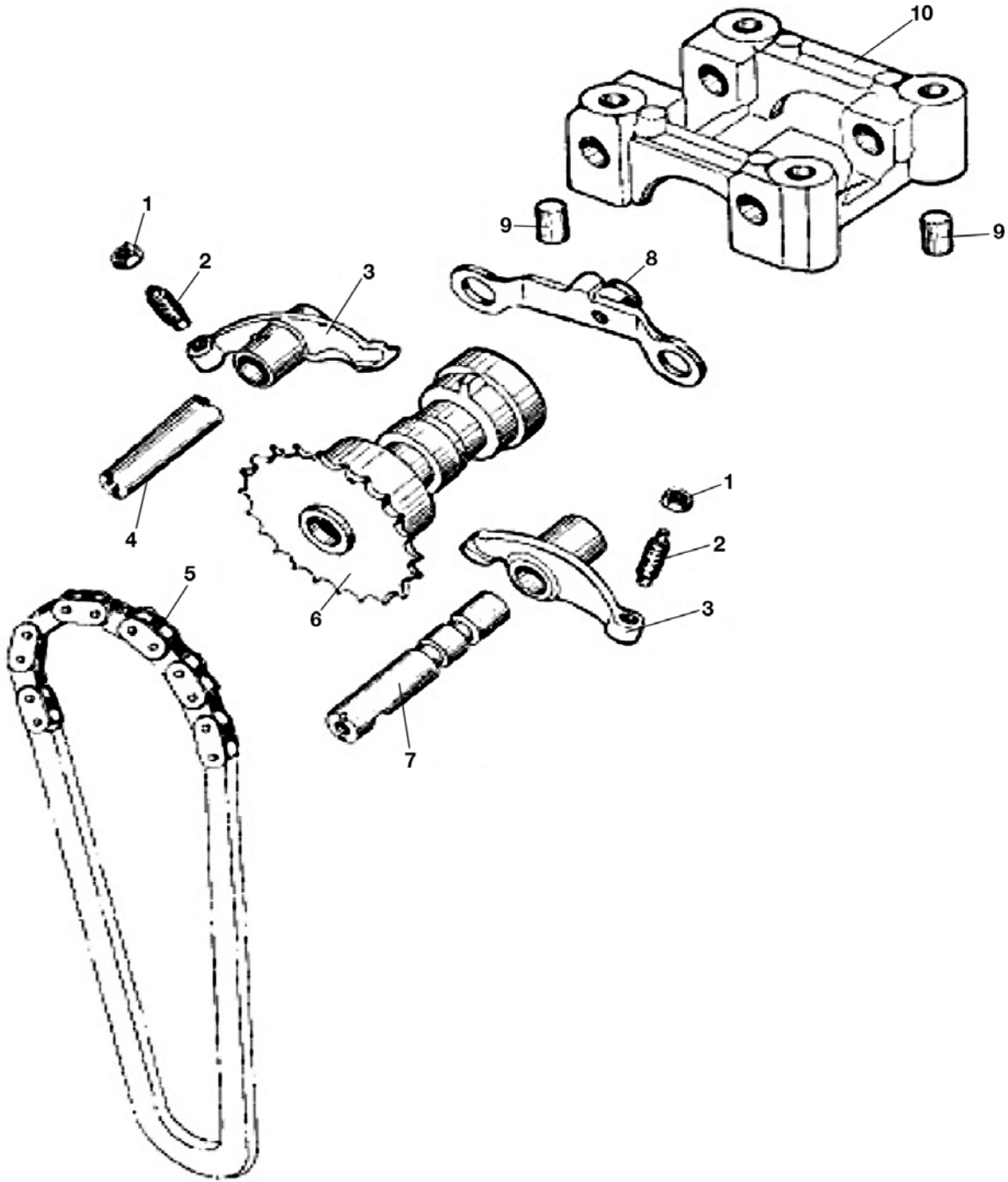
# 200 SERIES LUTV SECTION 7 PISTON, CRANK AND CONNECTING ROD



| Ref# | Part# | Description                       | Qty |
|------|-------|-----------------------------------|-----|
| 1    | N/A   | ASM, CRANK - CON ROD - 150CC      | 1   |
| 2    | 14324 | NUT, M12 X 1.25 LOCKING FLANGE ZN | 1   |
| 3    | 14510 | NUT, M22 X 1.00 SPANNING - 150CC  | 1   |
| 4    | 14511 | WASHER, M22 X 31 X 2.5 FLAT       | 1   |
| 5    | 14344 | GEAR, KICK DRIVE - 150CC          | 1   |
| 6    | 14690 | WASHER, M12 DAC                   | 1   |
| 7    | 14324 | NUT, M12 X 1.25 LOCKING FLANGE ZN | 1   |
| 8    | 14512 | KEY, WOODRUFF M4 X 14             | 1   |
| 9    | 14345 | CLIP, PISTON RETAINING - 150CC    | 2   |
| 10   | 14346 | PIN, PISTON WRIST - 150CC         | 1   |
| 11   | 14347 | PISTON - 150CC                    | 1   |
| 12   | 14348 | KIT, PISTON RING - 150CC          | 1   |

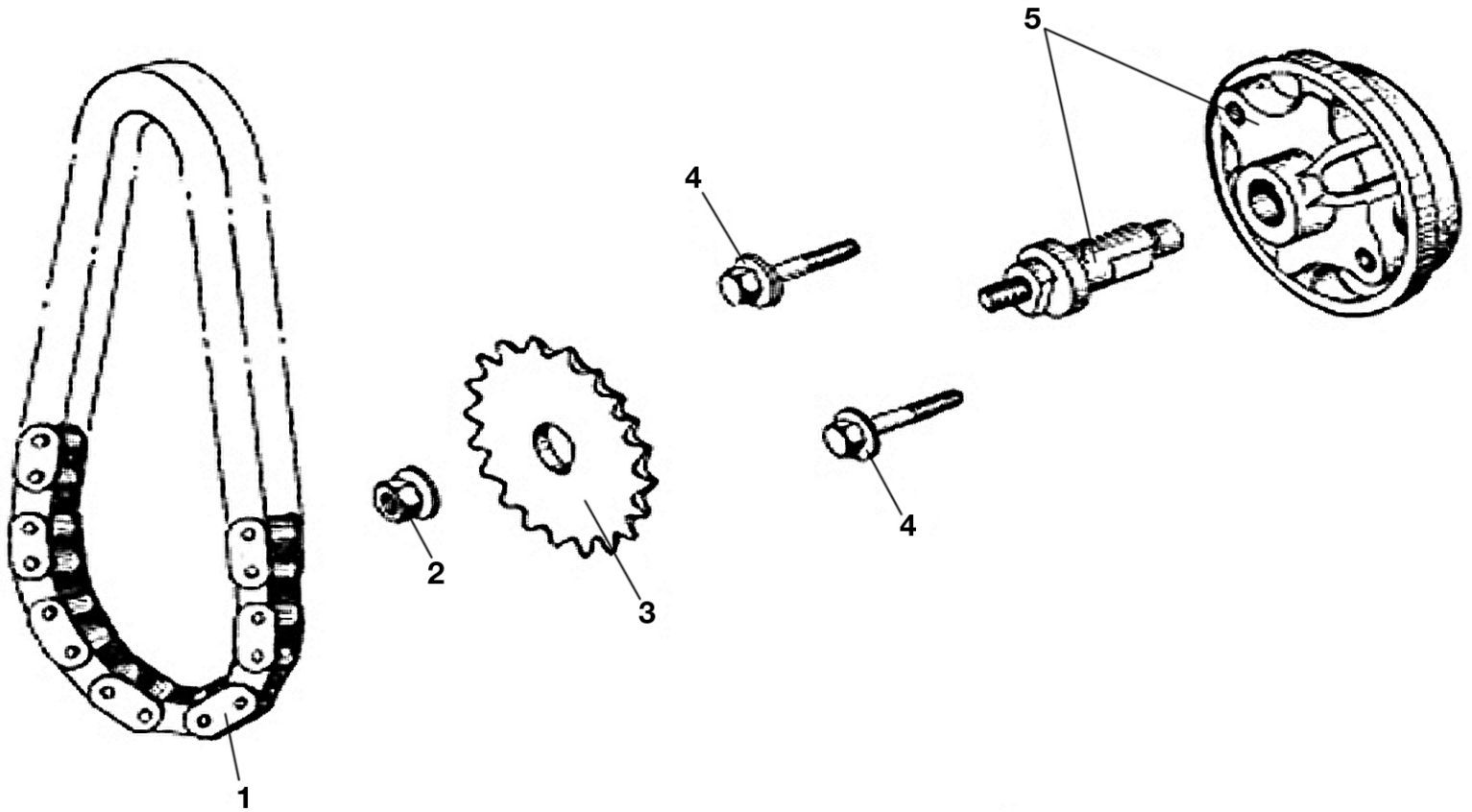
**NOTE:** parts denoted as left or right hand are from driver's point of view.

# 200 SERIES LUTV SECTION 8 CAMSHAFT ASSEMBLY



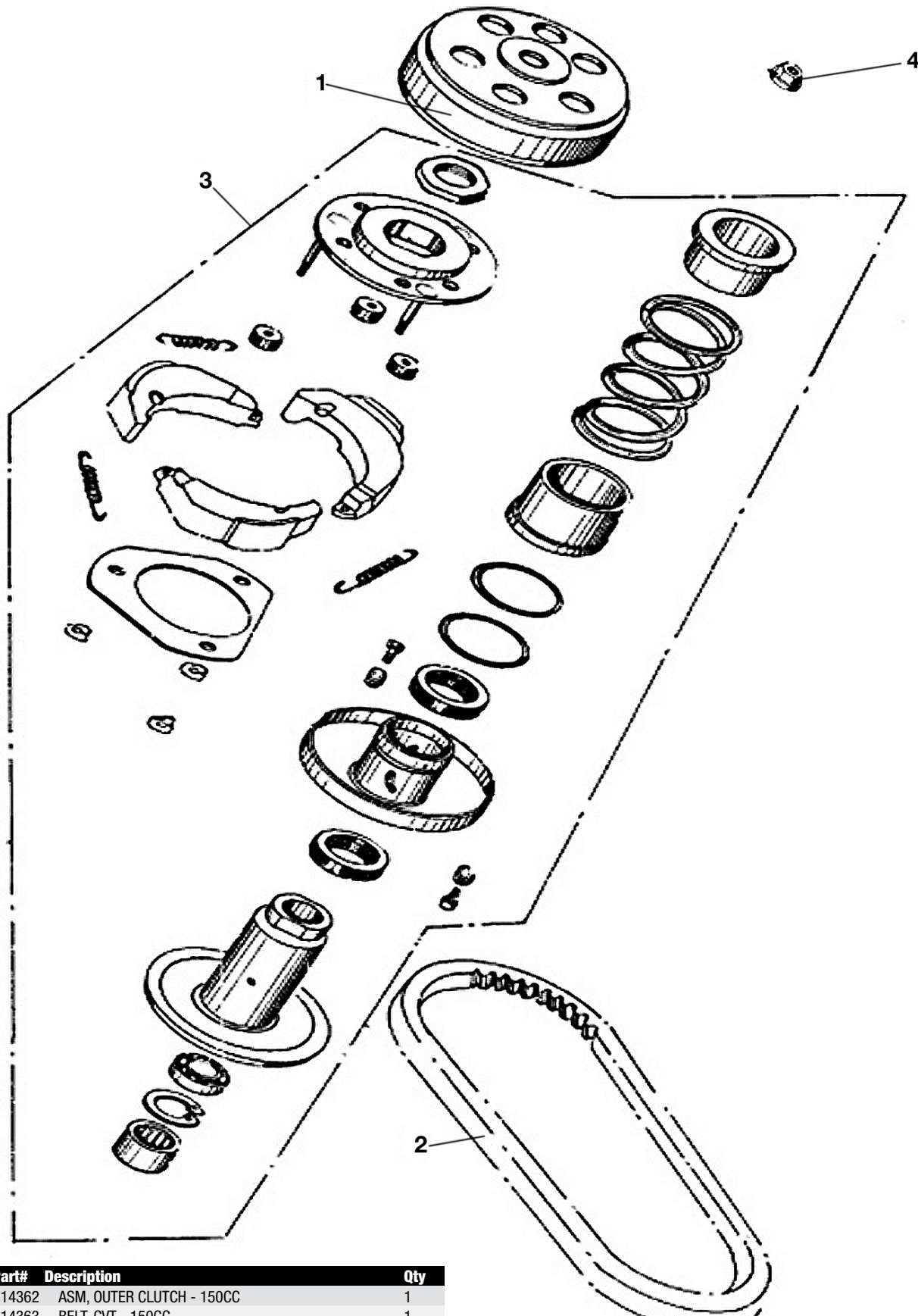
| Ref# | Part# | Description                       | Qty |
|------|-------|-----------------------------------|-----|
| 1    | 14513 | NUT, M5 X 0.5 HEX                 | 2   |
| 2    | 14349 | SCREW, TAPPET ADJ - 150CC         | 2   |
| 3    | 14350 | ARM, VALVE ROCKER - 150CC         | 2   |
| 4    | 14351 | SHAFT, EXHAUST ROCKER ARM - 150CC | 1   |
| 5    | 14352 | CHAIN, CAMSHAFT - 150CC           | 1   |
| 6    | 14353 | CAMSHAFT - 150CC                  | 1   |
| 7    | 14354 | SHAFT, INTAKE ROCKER ARM - 150CC  | 1   |
| 8    | 14355 | PLATE, STOP - 150CC               | 1   |
| 9    | 14266 | PIN, M10 X 16 DOWEL               | 2   |
| 10   | 14356 | CAP, CAMSHAFT BRG - 150CC         | 1   |

**NOTE:** parts denoted as left or right hand are from driver's point of view.



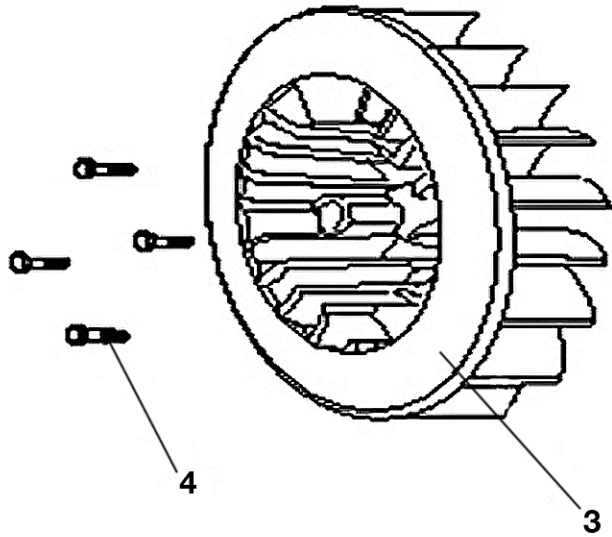
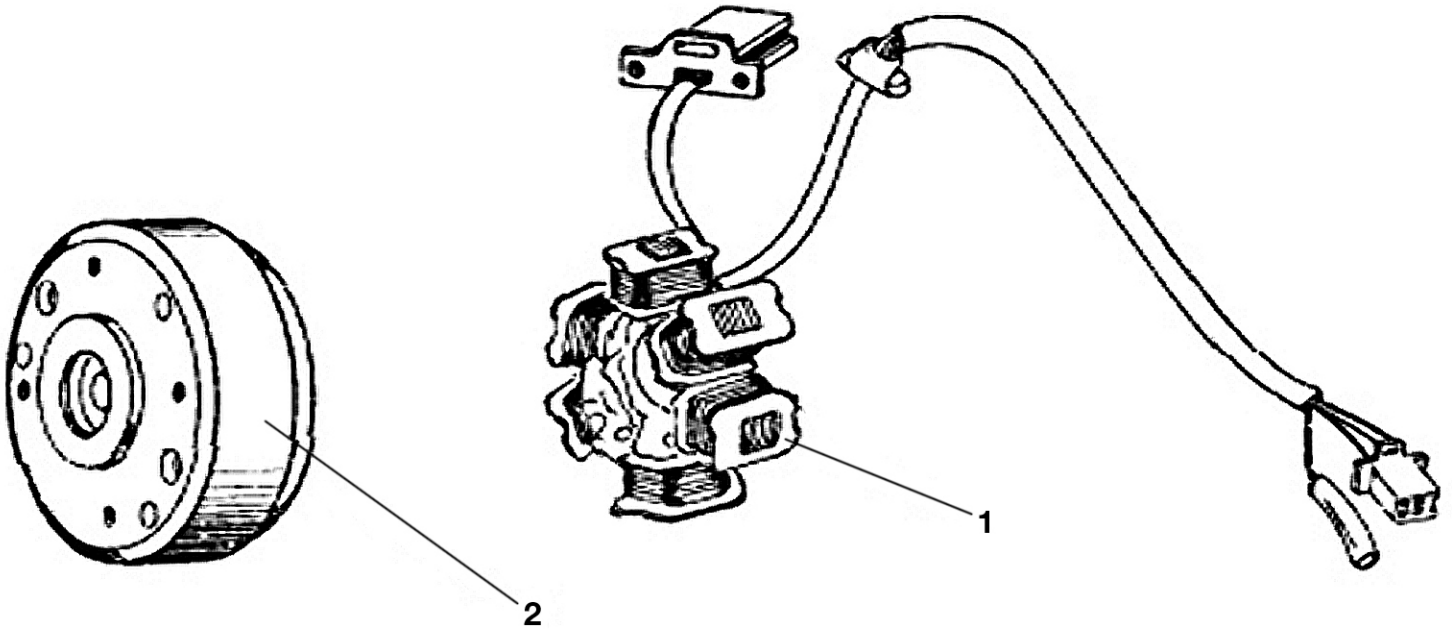
| Ref# | Part# | Description                  | Qty |
|------|-------|------------------------------|-----|
| 1    | 14357 | CHAIN, OIL PUMP - 150CC      | 1   |
| 2    | 14358 | NUT, M6 X 1.00 HEX FLANGE    | 1   |
| 3    | 14359 | SPROCKET, OIL PUMP - 150CC   | 1   |
| 4    | 14360 | BOLT, M6 X 1.00 X 30 FHCS ZN | 2   |
| 5    | 14361 | ASM, OIL PUMP - 150CC        | 1   |

**NOTE:** parts denoted as left or right hand are from driver's point of view.



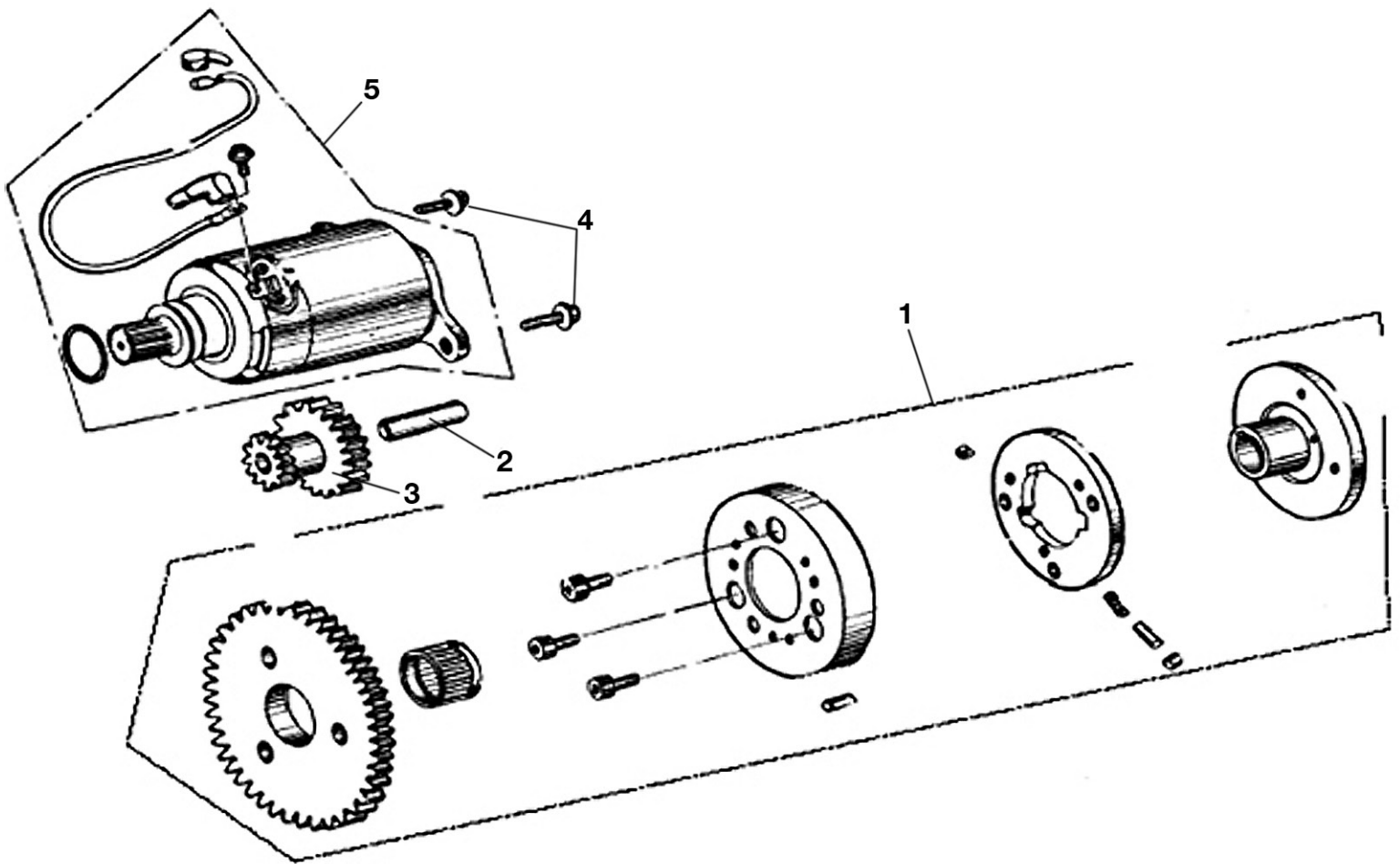
| Ref# | Part# | Description                | Qty |
|------|-------|----------------------------|-----|
| 1    | 14362 | ASM, OUTER CLUTCH - 150CC  | 1   |
| 2    | 14363 | BELT, CVT - 150CC          | 1   |
| 3    | 14364 | ASM, DRIVEN PULLEY - 150CC | 1   |
| 4    | 15164 | NUT, M12X1.25 LF THIN      | 1   |

NOTE: parts denoted as left or right hand are from driver's point of view.



| Ref# | Part# | Description                  | Qty |
|------|-------|------------------------------|-----|
| 1    | 15120 | MAGNETO, 150CC H0            | 1   |
| 2    | 14366 | FLYWHEEL - 150CC             | 1   |
| 3    | 14367 | FAN, COOLING - 150CC         | 1   |
| 4    | 14368 | BOLT, M6 X 1.00 X 15 FHCS ZN | 4   |

**NOTE:** parts denoted as left or right hand are from driver's point of view.

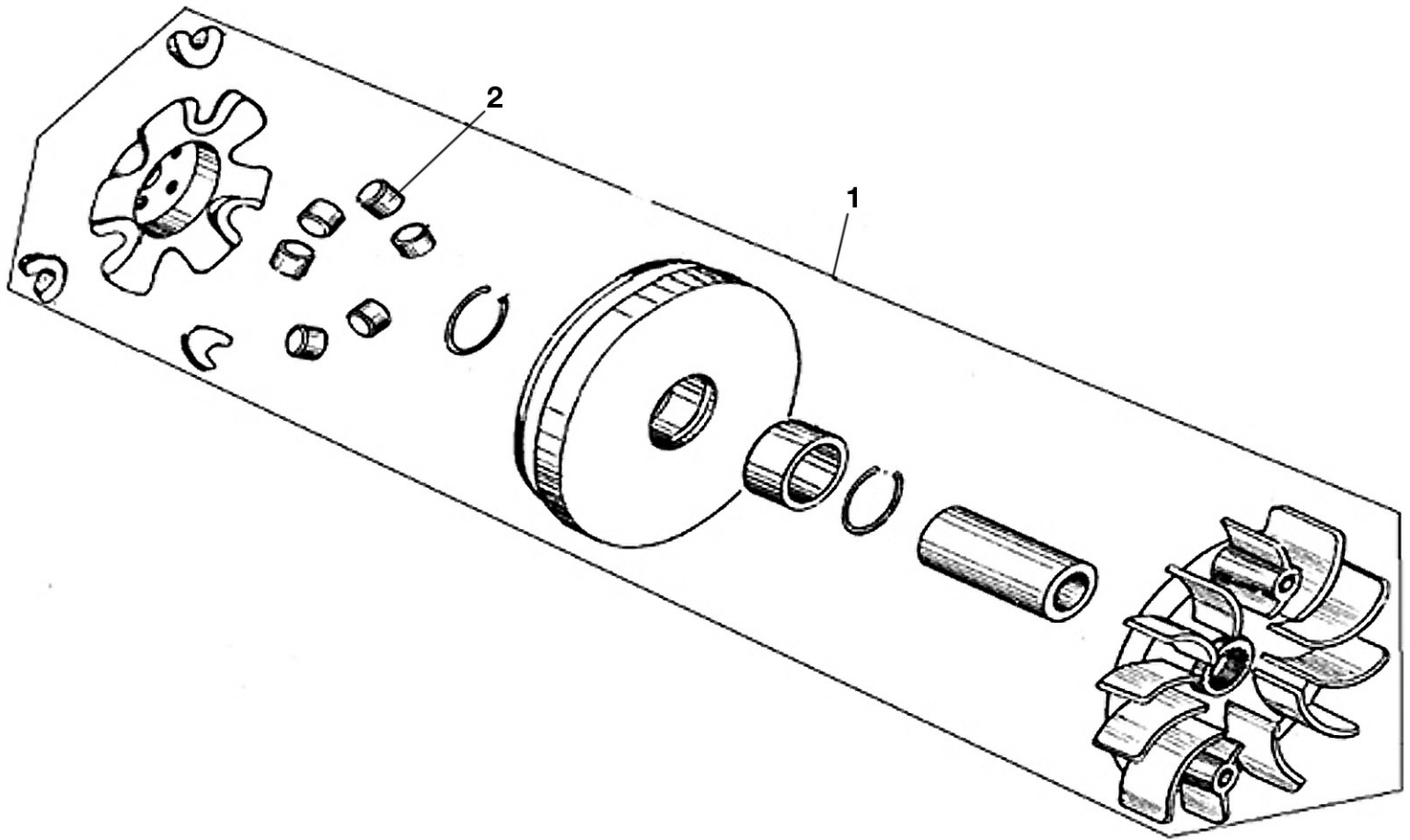


| Ref# | Part# | Description                  | Qty |
|------|-------|------------------------------|-----|
| 1    | 14369 | ASM, STARTER CLUTCH - 150CC  | 1   |
| 2    | 14370 | SHAFT, STARTER RED - 150CC   | 1   |
| 3    | 14371 | GEAR, STARTER RED - 150CC    | 1   |
| 4    | 14372 | BOLT, M6 X 1.00 X 16 FHCS ZN | 2   |
| 5    | 14373 | ASM, STARTER MOTOR - 150CC   | 1   |

**NOTE:** parts denoted as left or right hand are from driver's point of view.

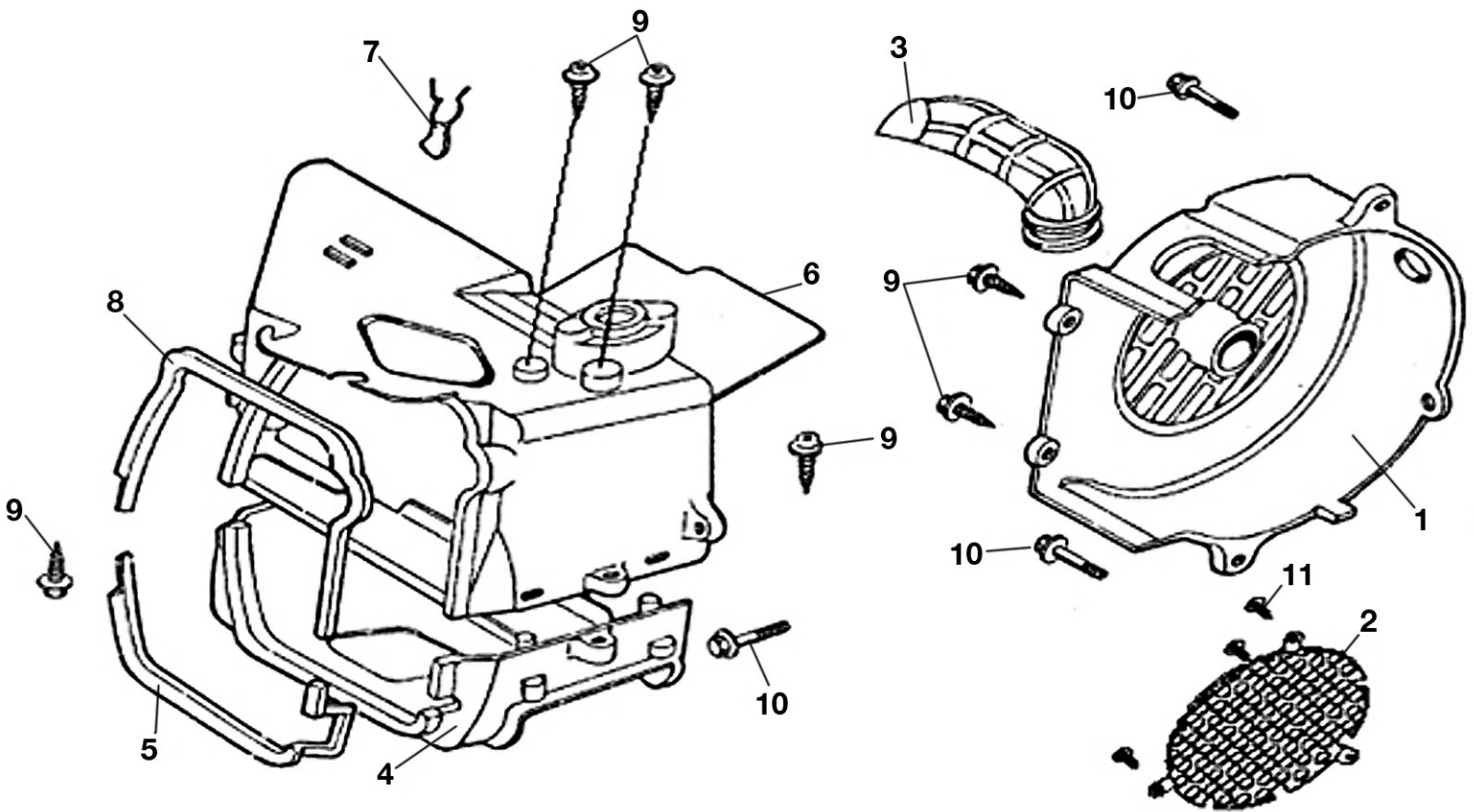


# 200 SERIES LUTV SECTION 13 DRIVER PULLEY



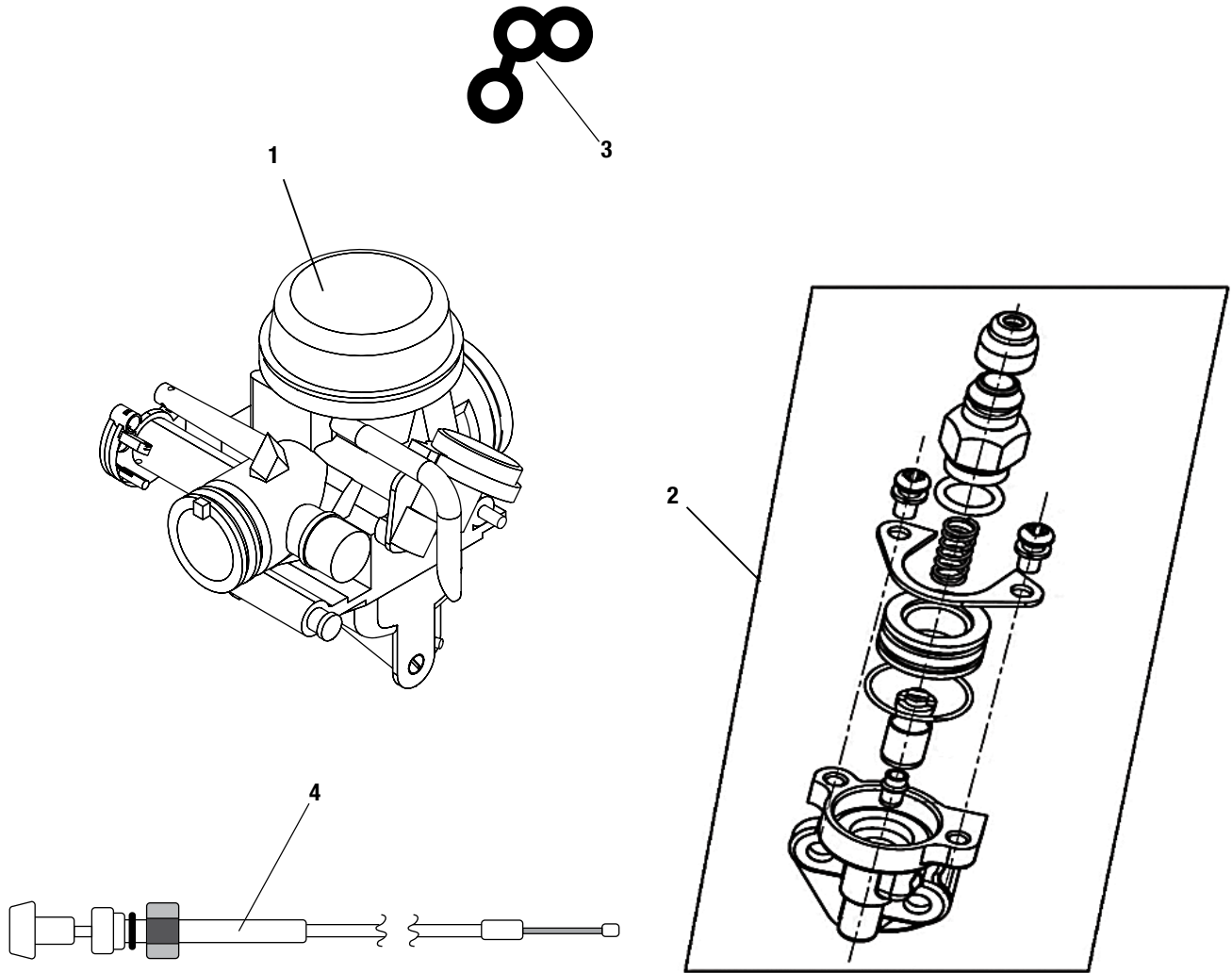
| Ref# | Part# | Description                   | Qty |
|------|-------|-------------------------------|-----|
| 1    | 14374 | ASM, DRIVER PULLEY - 150CC    | 1   |
| 2    | 14375 | WEIGHT, DRIVER PULLEY - 150CC | 6   |

NOTE: parts denoted as left or right hand are from driver's point of view.



| Ref# | Part# | Description                      | Qty |
|------|-------|----------------------------------|-----|
| 1    | 14540 | COVER, FAN COMP - 150CC          | 1   |
| 2    | 14541 | COVER, DUST - 150CC              | 1   |
| 3    | 14542 | DUCT, CARBURETOR COOLING - 150CC | 1   |
| 4    | 14543 | SHROUD, LOWER - 150CC            | 1   |
| 5    | 14544 | SEAL, LOWER SHROUD - 150CC       | 1   |
| 6    | 14545 | SHROUD, UPPER - 150CC            | 1   |
| 7    | 14546 | CLIP, CORD - 150CC               | 1   |
| 8    | 14547 | SEAL, UPPER SHROUD - 150CC       | 1   |
| 9    | 50065 | SCREW TAPPING                    | 6   |
| 10   | 14286 | BOLT FLANGE SH 6 X 18            | 3   |
| 11   | 14539 | SCREW, 3.5 X 13 STFH             | 3   |

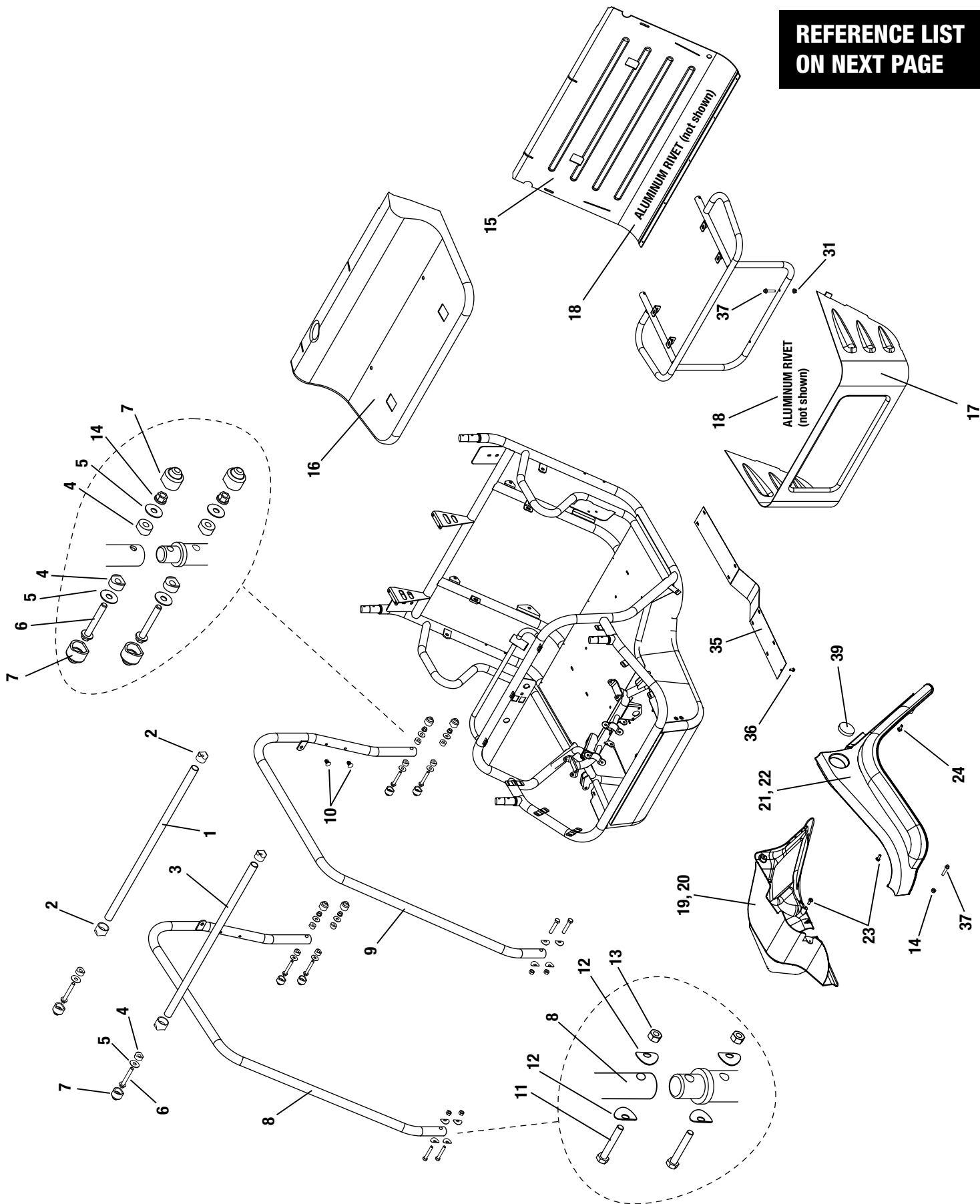
**NOTE:** parts denoted as left or right hand are from driver's point of view.



| Ref# | Part# | Description                              | Qty |
|------|-------|--|-----|
| 1    | 15856 | ASM, CARB W/ MANUAL CHOKE - 150CC - DENI | 1   |
| 2    | 15458 | ASM, MANUAL ENRICHER / CHOKE             | 1   |
| 3    | 15460 | O-RING, SPECIAL: CARB ENRICHER           | 1   |
| 4    | 15430 | CABLE, CHOKE 3050 MM LONG                | 1   |

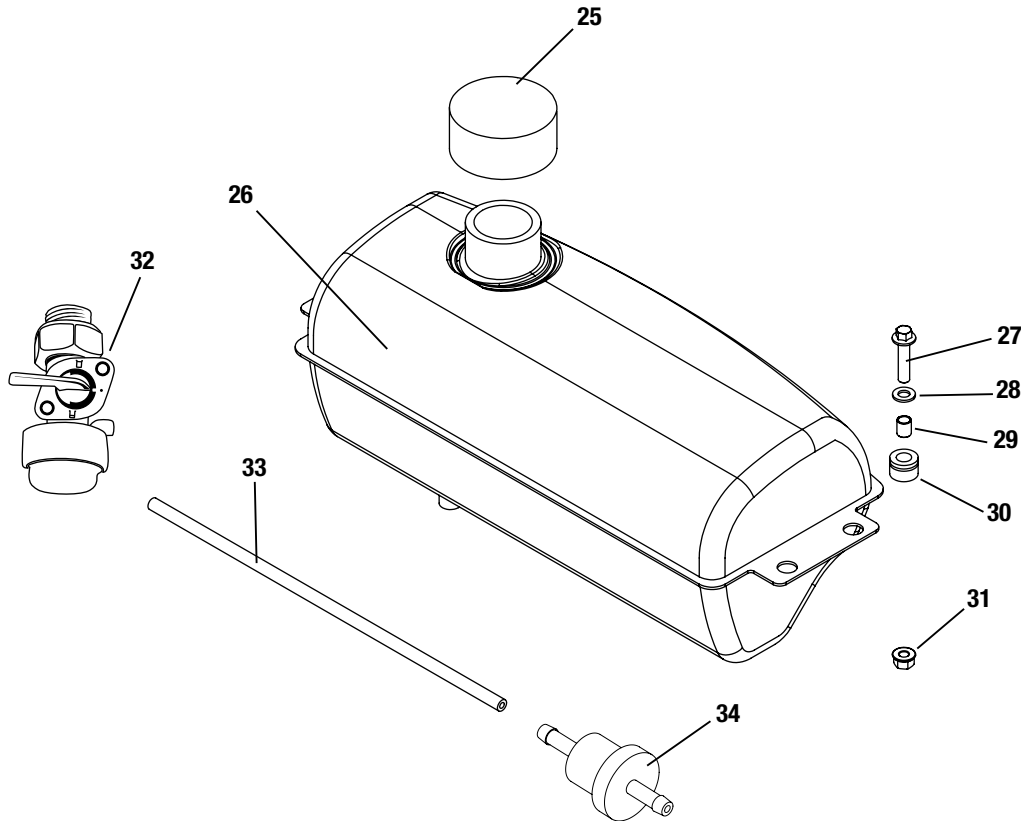
**NOTE: parts denoted as left or right hand are from driver's point of view.**

REFERENCE LIST  
ON NEXT PAGE



NOTE: parts denoted as left or right hand are from driver's point of view.

# 200 SERIES LUTV SECTION 16 FRAME GROUP (continued)

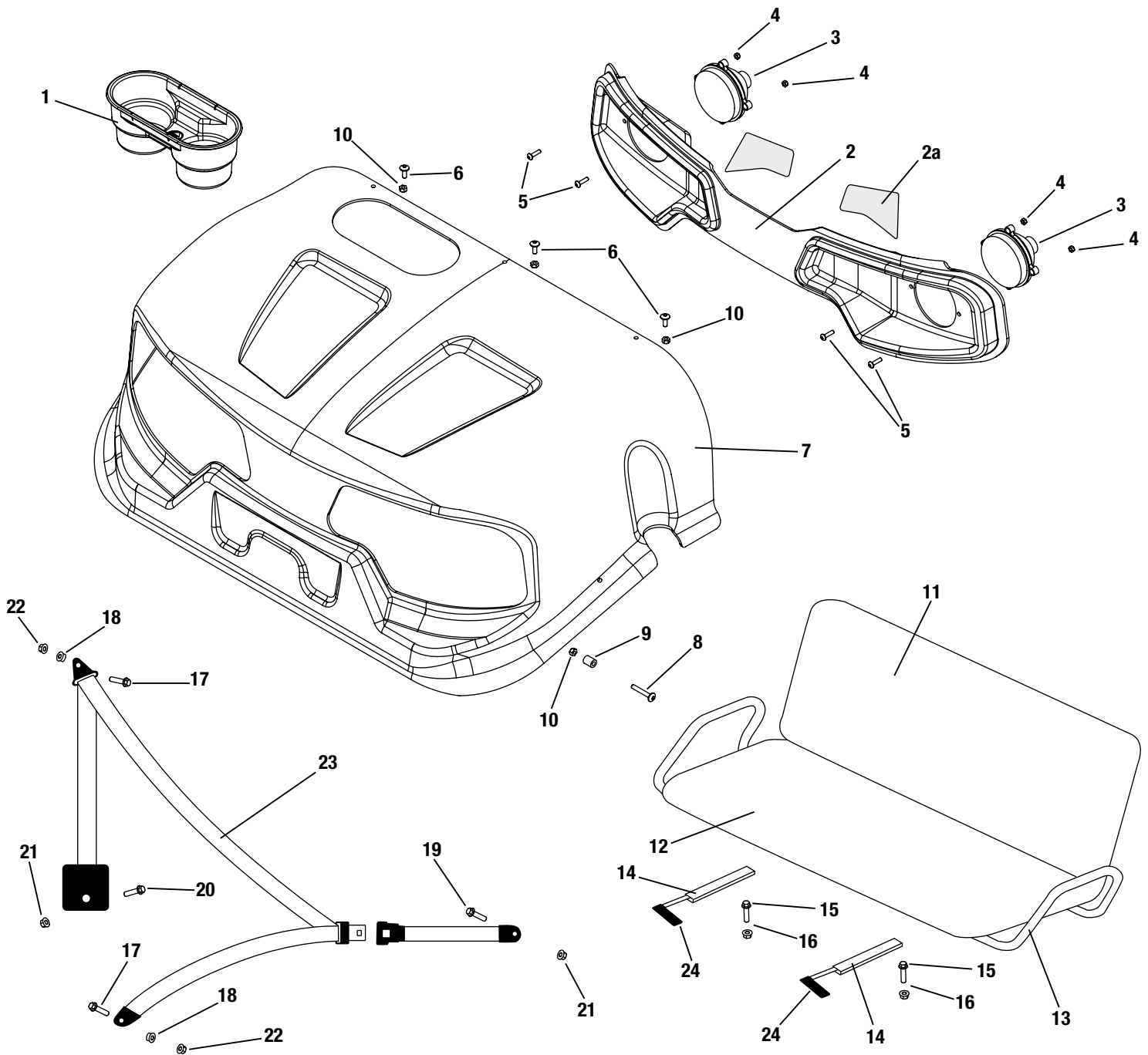


| Ref# | Part#   | Description                            | Qty |
|------|---------|--|-----|
| 1    | 15812   | TUBE, OH BAR - RR LAT- 201             | 1   |
| 2    | 14865   | ENDCAP, BAR -1.5 BLACK PLASTIC         | 4   |
| 3    | 15811   | TUBE, OH BAR - FWD LAT- 201            | 1   |
| 4    | 14837   | WASHER, CONCAVE CLAMP – 200S           | 12  |
| 5    | 14944   | WASHER, BAR CONNECTION                 | 12  |
| 6    | 14697   | BOLT, M8 X 1.25 X 65 FHCS              | 8   |
| 7    | 14945   | COVER, BOLT CAP -15.IN                 | 12  |
| 8    | 15814   | TUBE, OH BAR - RH - 201                | 1   |
| 9    | 15813   | TUBE, OH BAR - LH - 201                | 1   |
| 10   | 15778   | PLUG, HOLE DIAMETER 8MM - PLASTIC PUSH | 8   |
| 11   | 15774   | BOLT, 5/16"-18 x 2.0" HHCS BLK         | 4   |
| 12   | 2-50702 | WASHER, 5/16" TUBE FIT (BENT)          | 8   |
| 13   | 15775   | NUT, 5/16"-18 HEX CENTERLOCK           | 4   |
| 14   | 14088   | NUT, M8X1.25 LOCKING FLANGE            | 10  |
| 15   | 15921   | PANEL, BACKSPLASH - 201                | 1   |
| 16   | 15922   | COVER, TOP SEAT TUB - 201              | 1   |
| 17   | 15923   | SURROUND, SEAT TUB - 201               | 1   |
| 18   | 14893   | RIVET, ALUMINUM - M3 / #56             | 30  |
| 19   | 14874   | WHEEL WELL, INNER RH                   | 1   |

| Ref# | Part#   | Description                             | Qty |
|------|---------|---|-----|
| 20   | 14875   | WHEEL WELL, INNER LH                    | 1   |
| 21   | 14878   | FENDER FLARE, RH                        | 1   |
| 22   | 14879   | FENDER FLARE, LH                        | 1   |
| 23   | 14423   | SCREW, M5 X 16 PHSM                     | 16  |
| 24   | 15568   | SCREW, #12 X .75", FLG HEAD             | 2   |
| 25   | 14870   | CAP, FUEL W/REMOTE VALVE                | 4   |
| 26   | 14161-2 | FUEL TANK                               | 4   |
| 27   | 15779   | BOLT, M8 X 1.25 X 35 FHCS               | 4   |
| 28   | 14293   | WASHER, M8 FLAT                         | 4   |
| 29   | 14162   | SPACER, FUEL TANK                       | 4   |
| 30   | 14163   | BUSHING, FUEL TANK MOUNT                | 4   |
| 31   | 14088   | NUT, M8 X 1.25 FLANGE TOP LOCK          | 4   |
| 32   | 15454   | VALVE, FUEL MANUAL ON/OFF/RES W/ O-RING | 1   |
| 33   | 15838   | LINE, FUEL - 12" WITH (2) CLAMPS        | 2   |
| 34   | 14167   | FILTER, FUEL                            | 1   |
| 35   | 14880   | SHIELD, CABLE HOUSING                   | 1   |
| 36   | 14426   | BOLT, M6 X 1.00 X 14 FHCS               | 9   |
| 37   | 14436   | BOLT, M8 X 1.25 X 30 FHCS DAC           | 2   |
| 39   | 14784   | REFLECTOR, 54.9 MM - AMBER              | 2   |

NOTE: parts denoted as left or right hand are from driver's point of view.

# 200 SERIES LUTV SECTION 16 FRAME GROUP (continued)



**Not Shown:**

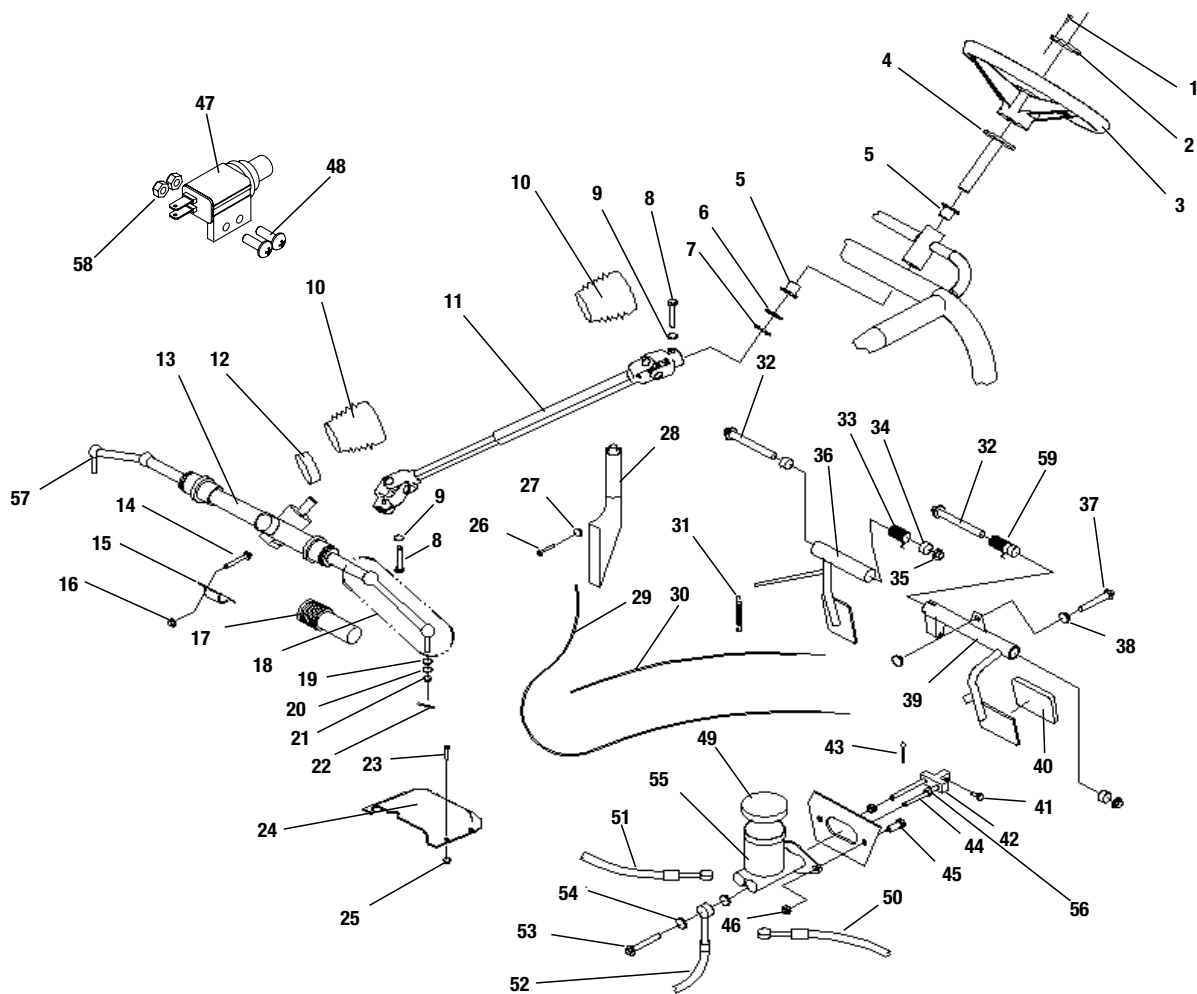
- 2-70127 HEAD LIGHT 862 BULB-REPLACEMENT #4831180 2
- 15256 SEAT BELT SHOULDER CAP 2

| Ref# | Part# | Description                              | Qty |
|------|-------|--|-----|
| 1    | 14842 | CUP HOLDER - 200S                        | 1   |
| 2    | 15647 | BEZEL, HEADLIGHT ROUND                   | 1   |
| 2a   | 15776 | DECAL, FRONT REFLECTIVE-AMBER (SET OF 2) |     |
| 3    | 15648 | LIGHT, 3.5 SURF MOUNT - 25W              | 2   |
| 4    | 14491 | NUT, M5 X .8 NYLOC ZN                    | 4   |
| 5    | 15066 | SCREW, M5 X 0.80 X 20 PH - BLK           | 4   |
| 6    | 15565 | SCREW, M6-1.0 X 16 BUTTON HEAD SOCKET SS | 3   |
| 7    | 15577 | HOOD, RED 202 SERIES W/LIGHT             | 2   |
| 8    | 15566 | SCREW, M6-1.0 X 40 BUTTON HEAD SOCKET SS | 2   |
| 9    | 15762 | SPACER, NYLON 1/2"OD X 1/4"ID X 5/8"L    | 2   |
| 10   | 14236 | NUT, M6 X 1.00 NYLOC ZN                  | 5   |
| 11   | 15522 | CUSHION, SEAT BACK- BLACK - 200          | 1   |
| 12   | 15523 | CUSHION, SEAT BASE- BLACK - 200          | 1   |

| Ref# | Part# | Description                        | Qty |
|------|-------|------------------------------------|-----|
| 13   | 15524 | FRAME, SEAT, 2 PS - 200            | 1   |
| 14   | 14171 | SLIDE, SEAT (PR) - 6150/7150       | 2   |
| 15   | 15483 | BOLT, M8 X 1.25 X 40 "T" STYLE DAC | 2   |
| 16   | 14088 | NUT, M8x1.25 FLANGE TOP LOCK       | 2   |
| 17   | 15823 | BOLT, M10 X 1.5 X 20 FHCS          | 4   |
| 18   | 14289 | SPACER, M10 STEPPED SEAT BELT DAC  | 4   |
| 19   | 15467 | BOLT, M12 X 1.25 X 30 FHCS         | 1   |
| 20   | 15485 | BOLT, M12 X 1.25 X 25 FHCS         | 2   |
| 21   | 14324 | NUT, M12x1.25 LOCKING FLANGE DAC   | 3   |
| 22   | 14243 | NUT, M10 X 1.25 LOCKING FLANGE     | 4   |
| 23   | 14786 | SEATBELT, RETRACTABLE              | 2   |
| 24   | 14994 | COVER, SEAT SLIDE HANDLE (BLK)     | 2   |



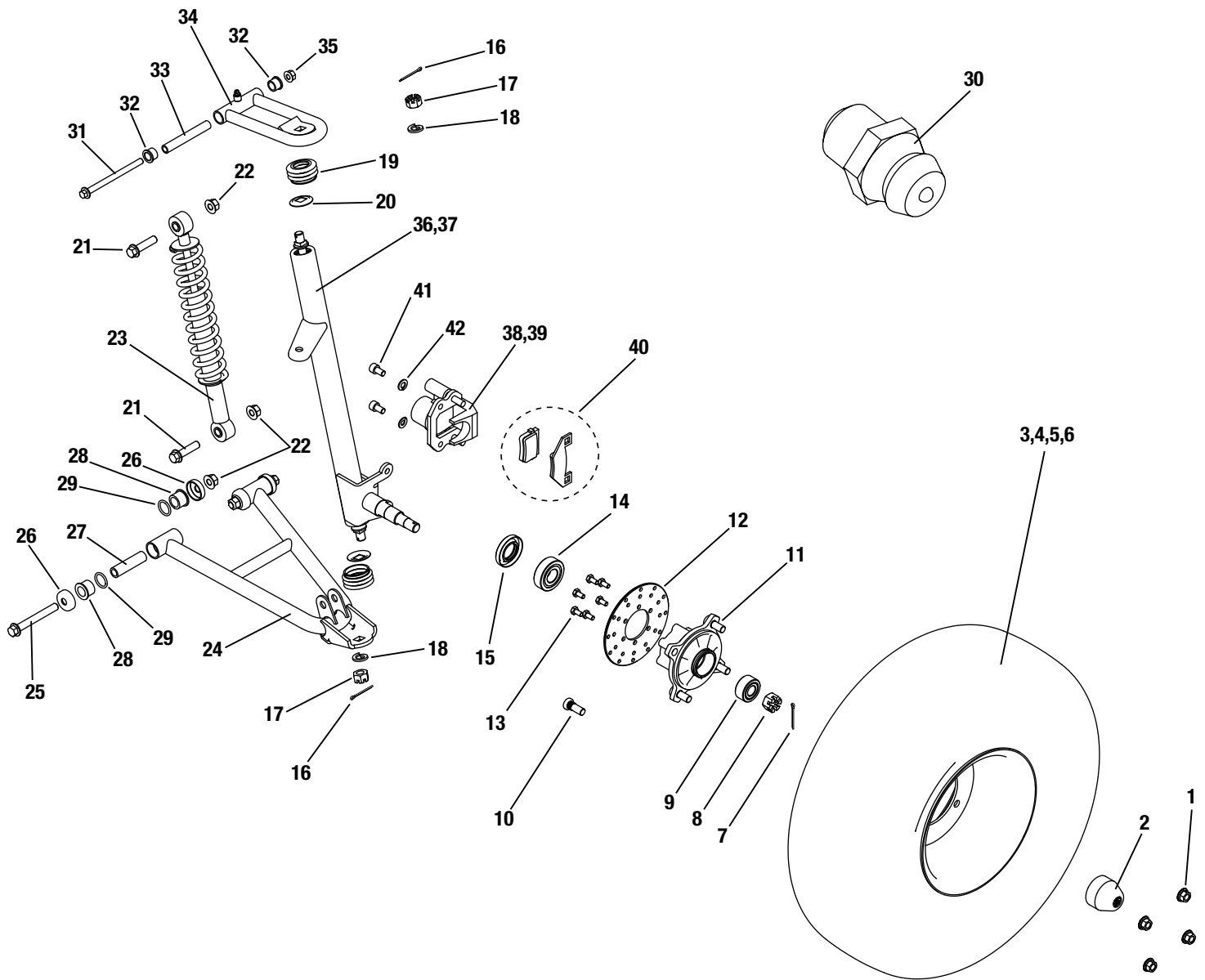
# 200 SERIES LUTV SECTION 17 STEERING & BRAKES



| Ref# | Part# | Description                              | Qty |
|------|-------|--|-----|
| 1    | 14894 | BOLT, M6 X 1.0 X 14 SHCS - ZN            | 6   |
| 2    | 14846 | CAP, STEERING WHEEL - 200S               | 1   |
| 3    | 14845 | STEERING WHEEL - 200S                    | 1   |
| 4    | 14847 | SHAFT, STEERING - 200S                   | 1   |
| 5    | 14104 | BUSHING, FLANGED SLEEVE 20 X 28 X 24.1   | 2   |
| 6    | 14895 | WASHER, M20 FLAT ZN                      | 1   |
| 7    | 14106 | CIRCLIP, M20                             | 1   |
| 8    | 14437 | BOLT, M8 X 1.25 X 25 HHCS ZN             | 2   |
| 9    | 14495 | WASHER, M8 SPLIT LOCK ZN                 | 2   |
| 10   | 14412 | BOOT, STEERING SHAFT BLACK RUBBER - 7150 | 2   |
| 11   | 14896 | SHAFT, STEERING U-JOINT - 200 SERIES     | 1   |
| 12   | 14738 | DUST SHEILD, R & P BLACK RUBBER - 7150   | 1   |
| 13   | 14848 | ASM, RACK AND PINION - 200S              | 1   |
| 14   | 14436 | BOLT, M8 X 1.25 X 25 FHCS ZN             | 4   |
| 15   | 14112 | BRACKET, RACK AND PINION MNT             | 2   |
| 16   | 14088 | NUT, M8 X 1.25 LOCKING FLANGE ZN         | 8   |
| 17   | 14109 | BOOT, R&P BLACK RUBBER - 7150            | 2   |
| 18   | 14897 | ASM, TIE ROD END - 200 SERIES            | 2   |
| 19   | 14240 | WASHER, M10 FLAT ZN                      | 2   |
| 20   | 14241 | WASHER, M10 SPLIT LOCK ZN                | 2   |
| 21   | 14242 | NUT, M10 X 1.25 CASTLE                   | 2   |
| 22   | 15557 | PIN, M2.5 X 30 COTTER                    | 2   |
| 23   | 14426 | BOLT, M6 X 1.00 X 14 FHCS ZN             | 5   |
| 24   | 14900 | COVER, FLOOR BRAKE ACCESS - 200S         | 1   |
| 25   | 14236 | NUT, M6 X 1.00 NYLOC ZN                  | 5   |
| 26   | 14426 | BOLT, M6 X 1.00 X 14 FHCS ZN             | 2   |
| 27   | 14236 | NUT, M6 X 1.00 NYLOC ZN                  | 2   |
| 28   | 14849 | HANDLE, PARK BRAKE - 200S                | 1   |
| 29   | 14850 | CABLE, PARK BRAKE - 200S                 | 1   |
| 30   | 14851 | CABLE, THROTTLE - 200S                   | 1   |

| Ref# | Part#   | Description                          | Qty |
|------|---------|--------------------------------------|-----|
| 31   | 14852   | SPRING, THROTTLE PEDAL - 200S        | 1   |
| 32   | 14442   | BOLT, M8 X 1.25 X 145 HHCS ZN        | 1   |
| 33   | 14113   | SPRING, THROTTLE PEDAL - 7150        | 1   |
| 34   | 14119   | BUSHING, SLEEVE 12 X 21 X 12         | 4   |
| 35   | 14088   | NUT, M8 X 1.25 LOCKING FLANGE ZN     | 8   |
| 36   | 14853-2 | PEDAL, THROTTLE - 201/202 - BLK      | 1   |
| 37   | 14439   | BOLT, M8 X 1.25 X 40 FHCS ZN         | 2   |
| 38   | 14610   | NUT, M8 X 1.25                       | 4   |
| 39   | 14854-2 | PEDAL, BRAKE - 201/202 - BLK         | 1   |
| 40   | 2-70261 | PAD, RUBBER-BRAKE                    | 2   |
| 41   | 14116   | PIN, M6 X 24 BRAKE BLOCK - 6150/7150 | 1   |
| 42   | 14101   | T BLOCK, BRAKE - 7150                | 1   |
| 43   | 14489   | PIN, M2 X 12 COTTER                  | 1   |
| 44   | 14117   | PUSHROD, BRAKE ADJUST - 7150         | 2   |
| 45   | 14438   | BOLT, M8 X 1.25 X 35 HHCS ZN         | 2   |
| 46   | 14088   | NUT, M8 X 1.25 LOCKING FLANGE ZN     | 2   |
| 47   | 15136   | SWITCH, THROTTLE/BRAKE SAFETY        | 1   |
| 48   | 14453   | BOLT, M5 X .8 X 15 PHMS DAC          | 2   |
| 49   | 14131   | CAP, BRAKE MASTER CYL - 7150         | 1   |
| 50   | 15466   | HOSE, HYD BRAKE - 26"                | 1   |
| 51   | 14129   | HOSE, HYD BRAKE - 43"                | 1   |
| 52   | 14130   | HOSE, HYD BRAKE - 75"                | 1   |
| 53   | 14460   | BOLT, M10 X 24 BRAKE BANJO           | 3   |
| 54   | 14127   | WASHER, BRASS BRAKE LINE             | 6   |
| 55   | 14121   | ASM, MASTER CYLINDER - 7150          | 1   |
| 56   | 14610   | NUT, M8 X 1.25 DAC                   | 2   |
| 57   | 15316   | BOOT, TIE ROD 150CC                  | 2   |
| 58   | 14491   | NUT, M5 X .8 NYLOC ZN                | 2   |
| 59   | 14120   | SPRING, BRAKE PEDAL                  | 1   |

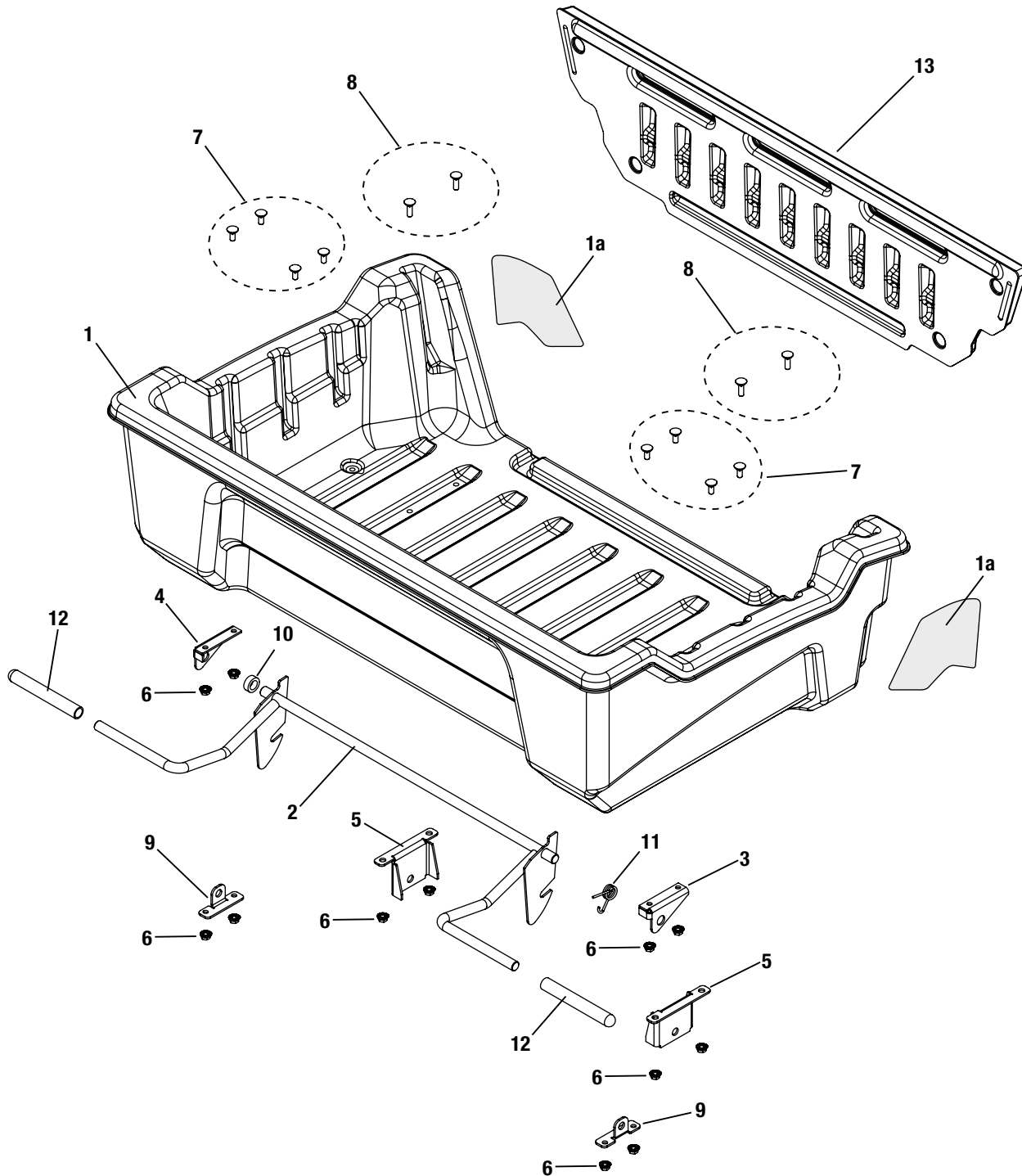
NOTE: parts denoted as left or right hand are from driver's point of view.



| Ref# | Part# | Description                         | Qty |
|------|-------|-------------------------------------|-----|
| 1    | 13979 | NUT, M10 X 1.25 WF ZN               | 8   |
| 2    | 14151 | CAP, HUB NOSE - BLACK RUBBER        | 2   |
| 3    | 15670 | ASM, 20X7-8 TIRE/WH RH - GBLK       | 1   |
| 4    | 15671 | ASM, 20X7-8 TIRE/WH LH - GBLK       | 1   |
| 5    | 14813 | TIRE, FRONT 20X7-8 - FAR EAST       | 2   |
| 6    | 15674 | WHEEL, 8X5.5 - GBLK - 4-110         | 2   |
| 7    | 15557 | PIN, M2.5 X 30 COTTER               | 2   |
| 8    | 14727 | NUT, M14 X 1.5 CASTLE               | 2   |
| 9    | 15339 | BEARING, OUTER - 3202-2RS           | 2   |
| 10   | 14147 | STUD, M10 X 1.25 X 31 WHEEL         | 8   |
| 11   | 14148 | HUB, FRONT WHEEL - 6150/7150        | 2   |
| 12   | 14144 | DISC, FRONT BRAKE - 7150            | 2   |
| 13   | 14237 | BOLT, M6 X 1.00 X 12 HHCS DAC       | 12  |
| 14   | 14146 | BEARING, INNER - 6204-Z             | 2   |
| 15   | 14145 | SEAL, M47 X 25 X 7 DUST             | 2   |
| 16   | 15557 | PIN, M2.5 X 30 COTTER               | 2   |
| 17   | 14244 | NUT, M12 X 1.25 CASTLE              | 2   |
| 18   | 14245 | WASHER, M12 SPLIT LOCK ZN           | 2   |
| 19   | 14137 | SEAL, BALL JOINT - 6150/7150        | 4   |
| 20   | 14138 | SPACER, BALL JOINT HEAD - 6150/7150 | 4   |
| 21   | 14246 | BOLT, M10 X 1.25 X 40 FHCS ZN       | 4   |

| Ref# | Part#   | Description                          | Qty |
|------|---------|--------------------------------------|-----|
| 22   | 14243   | NUT, M10 X 1.25 LOCKING FLANGE DAC   | 8   |
| 23   | 14796   | SHOCK - RED & BLACK                  | 2   |
| 24   | 14157-2 | A ARM, LOWER - BLACK W/ZERK          | 2   |
| 25   | 14447   | BOLT, M10 X 1.25 X 80 FHCS ZN        | 4   |
| 26   | 14154   | CAP, DUST - LWR SUSP ARM - 7150      | 8   |
| 27   | 14140   | SPANNER, A ARM LOWER - 7150          | 4   |
| 28   | 14155   | BUSHING, FLANGED SLEEVE 15 X 21 X 16 | 8   |
| 29   | 14156   | O-RING, M21.2 X 2.65                 | 8   |
| 30   | 14594   | GREASE ZERK - 7150                   | 6   |
| 31   | 14133   | BOLT, M8 X 1.25 X 105 FHCS ZN        | 2   |
| 32   | 14126   | BUSHING, FLANGED SLEEVE 12 X 16 X 12 | 4   |
| 33   | 14134   | SPANNER, A ARM UPPER - 7150          | 2   |
| 34   | 14136-2 | A ARM, UPPER - BLACK W/ZERK          | 2   |
| 35   | 14088   | NUT, M8 X 1.25 LOCKING FLANGE ZN     | 2   |
| 36   | 15340-2 | ASM, STRUT/SPINDLE LH - BLK          | 1   |
| 37   | 15341-2 | ASM, STRUT/SPINDLE - BLK             | 1   |
| 38   | 14152   | ASM, BRAKE CALIPER - RF - 7150       | 1   |
| 39   | 14143   | ASM, BRAKE CALIPER - LF - 7150       | 1   |
| 40   | 14654   | KIT, BRAKE PAD FRONT - 7150          | 2   |
| 41   | 14455   | BOLT, M8 X 1.25 X 14 SHCS PL         | 4   |
| 42   | 14495   | WASHER, M8 SPLIT LOCK                | 4   |

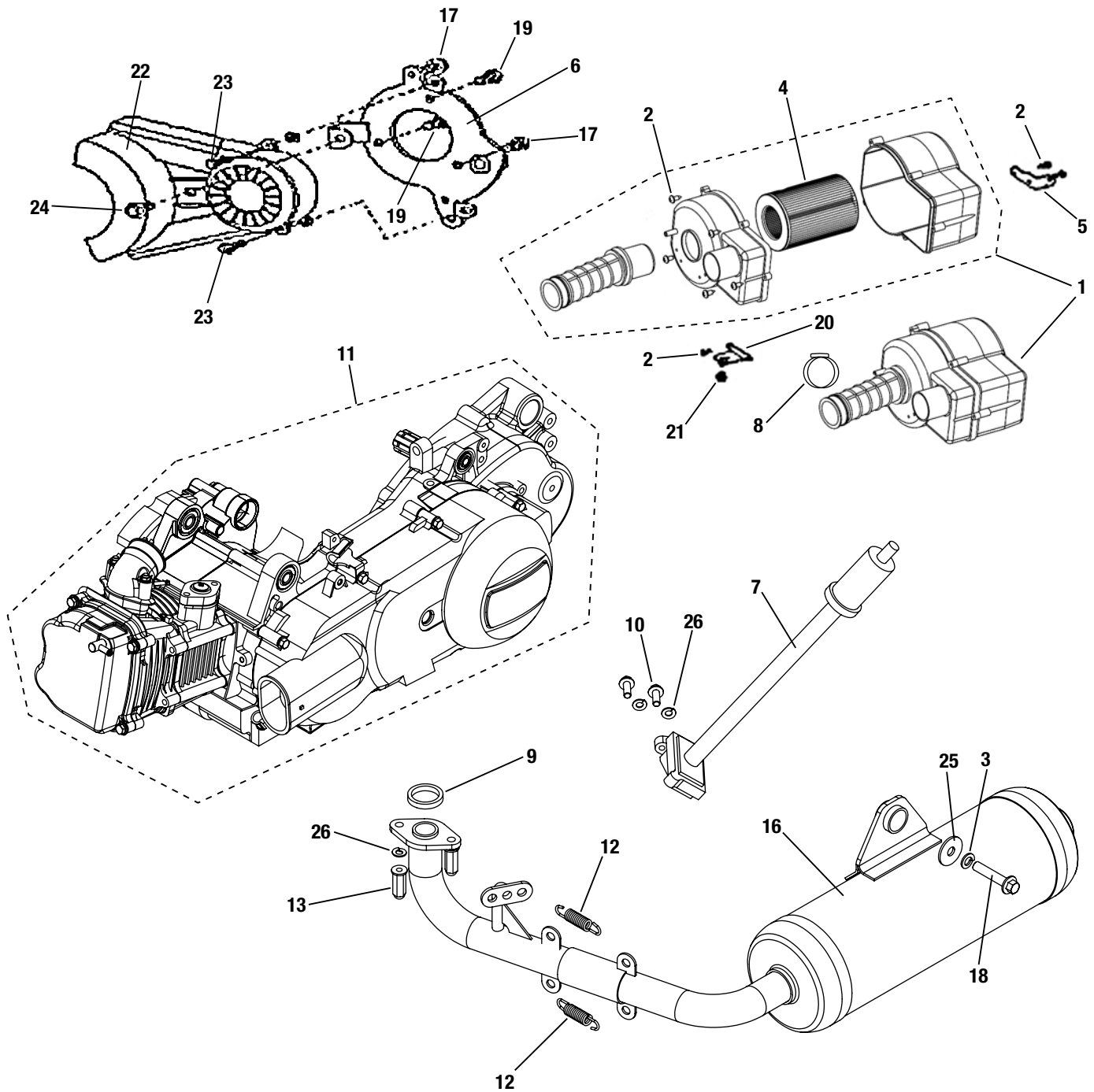
NOTE: parts denoted as left or right hand are from driver's point of view.



| Ref# | Part#   | Description                             | Qty |
|------|---------|---|-----|
| 1    | 15575   | BED, TWIN SHEET HDPE BLK                | 1   |
| 1a   | 15777   | DECAL, REAR REFLECTIVE - RED (SET OF 2) |     |
| 2    | 15700-2 | ASSEMBLY, BED LATCH HANDLE (BLACK)      | 1   |
| 3    | 15701-2 | BRACKET, BED LATCH - LH (BLACK)         | 1   |
| 4    | 15702-2 | BRACKET, BED LATCH - RH (BLACK)         | 1   |
| 5    | 15703-2 | BRACKET, BED PIVOT (BLACK)              | 2   |
| 6    | 1263    | NUT 5/16-18 HEX WF                      | 12  |

| Ref# | Part#    | Description                             | Qty |
|------|----------|---|-----|
| 7    | 15402    | BOLT, 5/16-18 X 0.75 CARRIAGE G5        | 8   |
| 8    | 2-50152  | BOLT, 5/16-18 X 1.0 CARRIAGE G5 ZN      | 4   |
| 9    | 15716-1E | BRACKET, TIE DOWN, BLK                  | 2   |
| 10   | 15746    | SPACER, NYLON 1" OD X 5/8" ID X .375" L | 1   |
| 11   | 2-11801  | SPRING, PEDAL                           | 1   |
| 12   | 2-70241  | RUBBER TUBE, BED LATCH COVER            | 2   |
| 13   | 15576    | TAILGATE, TWIN SHEET HDPE BLK           | 1   |

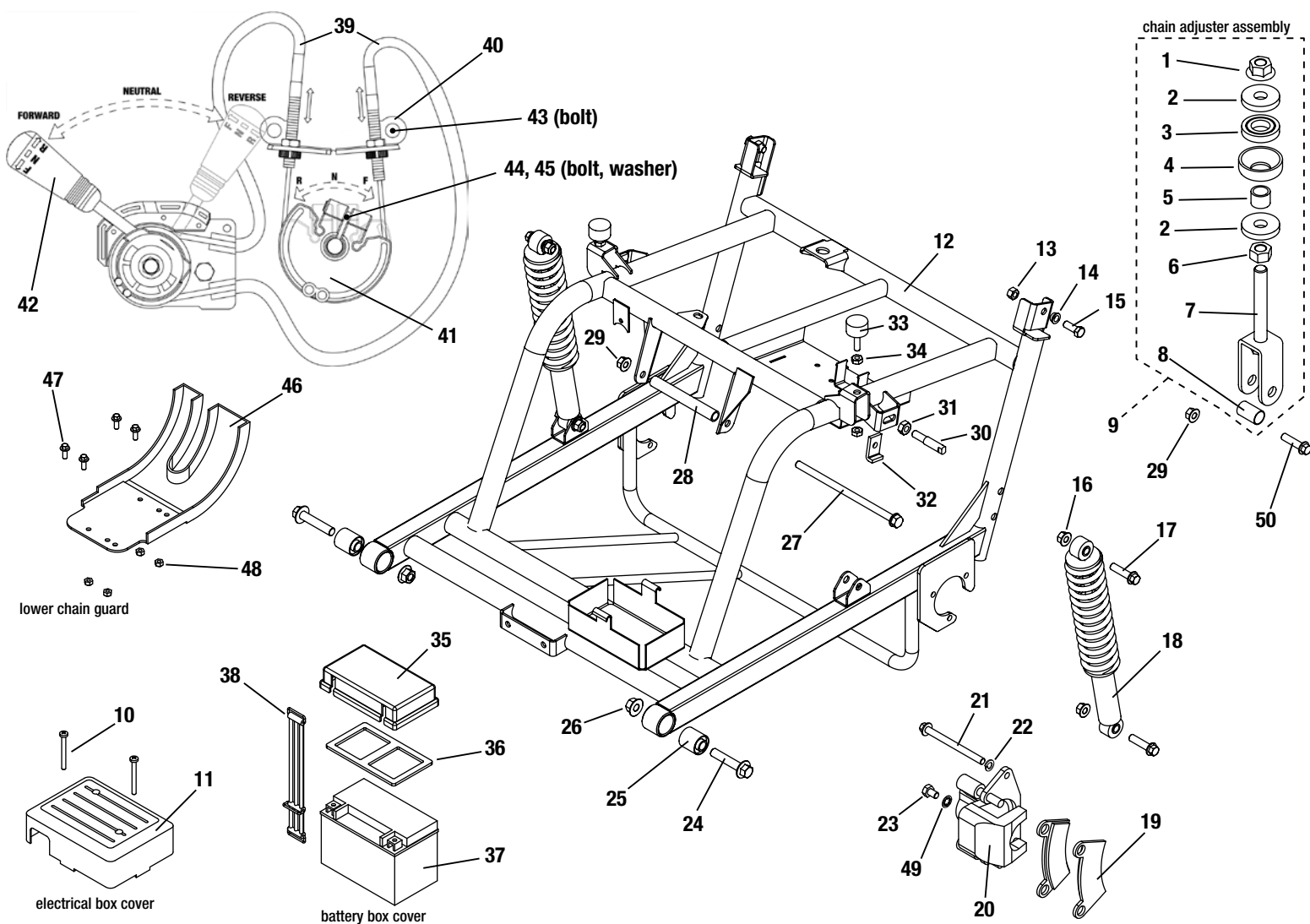
**NOTE:** parts denoted as left or right hand are from driver's point of view.



| Ref# | Part# | Description                             | Qty |
|------|-------|---|-----|
| 1    | 14192 | ASM, AIR CLEANER - 150CC                | 1   |
| 2    | 14423 | SCREW, M5 X 16 PHSM ZN                  | 9   |
| 3    | 14495 | WASHER, M8 SPLIT LOCK ZN                | 1   |
| 4    | 14194 | FILTER, AIR - 150CC                     | 1   |
| 5    | 14201 | BRACKET, #2 AIR CLEANER MNT - 6150/7150 | 1   |
| 6    | 14480 | BRACKET, REAR ENG MOUNT - 150CC         | 1   |
| 7    | 14762 | AIR INJECTION ASM, MUFFLER - 6150/7150  | 1   |
| 8    | 14481 | CLAMP, HOSE 45MM                        | 2   |
| 9    | 14196 | GASKET, EX PIPE - 150CC                 | 1   |
| 10   | 14372 | BOLT, M6 X 1.00 X 16 FHCS               | 2   |
| 11   | 14531 | ASM, ENGINE - 7150                      | 1   |
| 12   | 14482 | SPRING, EXHAUST PIPE - 150CC            | 2   |

| Ref# | Part# | Description                             | Qty |
|------|-------|---|-----|
| 13   | 50050 | NUT (HEX) CAP M6                        | 2   |
| 16   | 14760 | ASM, MUFFLER W/ AIR INJ MOUNT-6150/7150 | 1   |
| 17   | 14433 | BOLT, M8 X 1.25 X 15 FHCS ZN            | 1   |
| 18   | 14439 | BOLT, M8 X 1.25 X 40 FHCS ZN            | 1   |
| 19   | 14433 | BOLT, M8 X 1.25 X 15 FHCS               | 3   |
| 20   | 14200 | BRACKET, #1 AIR CLEANER MNT - 6150/7150 | 1   |
| 21   | 14445 | BOLT, M8 X 1.25 X 10 FHCS ZN            | 1   |
| 22   | 14484 | GUARD, CHAIN - 150CC                    | 1   |
| 23   | 14430 | BOLT, M6 X 1.00 X 30 FHCS               | 2   |
| 24   | 14436 | BOLT, M8 X 1.25 X 30 FHCS               | 1   |
| 25   | 14497 | WASHER, M8 X 27 X 2 FLAT ZN             | 1   |
| 26   | 14238 | WASHER, M6 SPLIT LOCK DAC               | 4   |

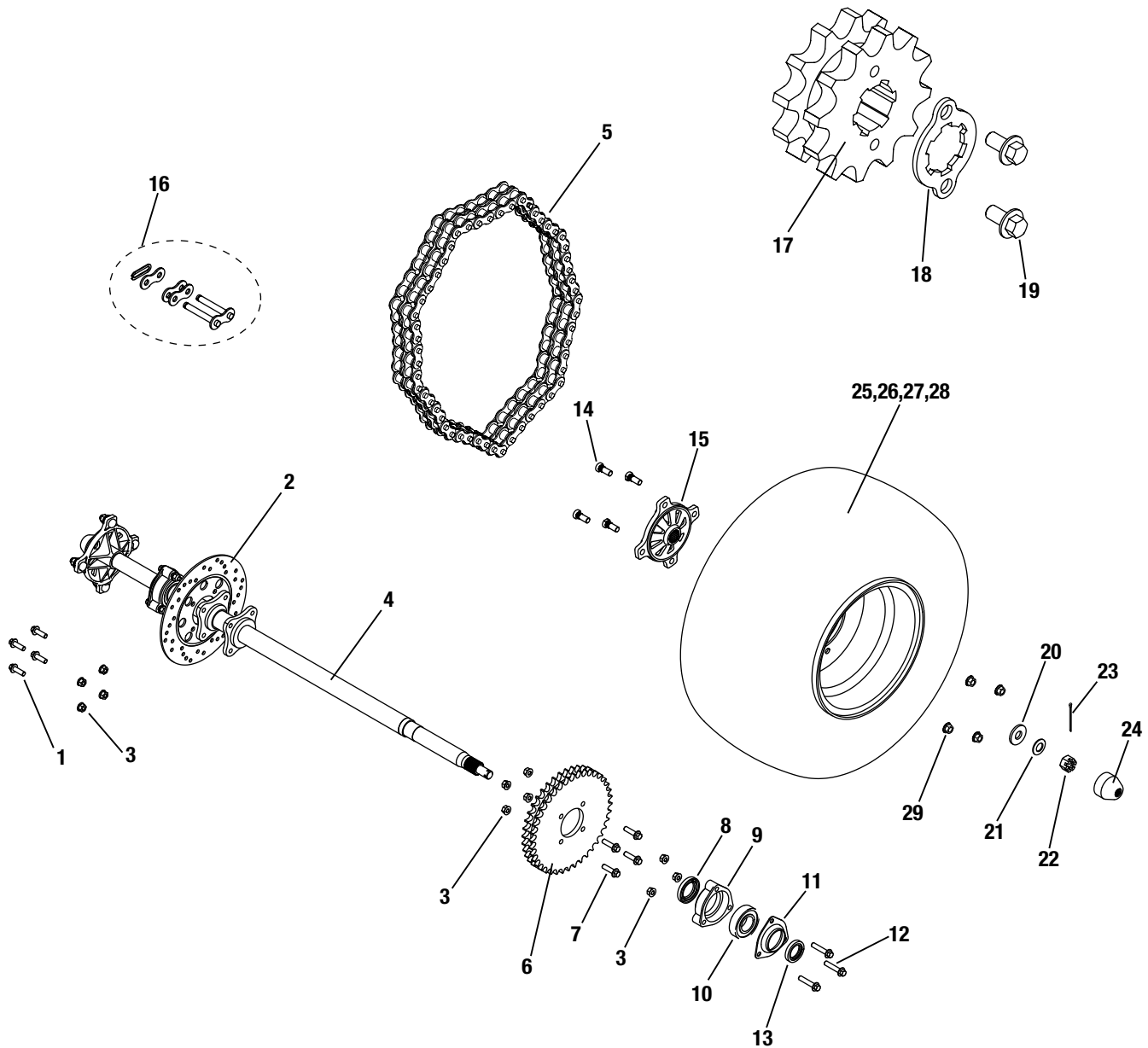
**NOTE: parts denoted as left or right hand are from driver's point of view.**



| Ref# | Part#   | Description                              | Qty |
|------|---------|--|-----|
| 1    | 15828   | NUT, M12 X 1.75 FLANGE TOP LOCK          | 1   |
| 2    | 14710   | WASHER - CHAIN ADJUSTER                  | 2   |
| 3    | 14467   | BUSHING, ENGINE ADJ ISOLATOR             | 1   |
| 4    | 14468   | SPACER, ENGINE ADJ CUP                   | 1   |
| 5    | 14469   | SPACER, ENGINE ADJ ALIGNMENT             | 1   |
| 6    | 14595   | NUT, M12 X 1.75 HEX                      | 1   |
| 7    | 15669   | LINK, CHAIN TENSIONING                   | 1   |
| 8    | 14471   | SPACER, ENGINE MOUNTING LINK             | 1   |
| 9    | 15654   | ASSEMBLY, CHAIN TENSIONING               | 1   |
| 10   | 14431   | BOLT, M6 X 1.00 X 60 PHMS DAC            | 2   |
| 11   | 15323   | COVER, ELECTRICAL BOX - BOX NO STOP SWIT | 1   |
| 12   | 15718-2 | FRAME, SWINGARM                          | 1   |
| 13   | 15442   | NUT, 3/8"-16 HEX CENTERLOCK              | 2   |
| 14   | 15717   | BEARING, FLANGED SLEEVE                  | 2   |
| 15   | 9099    | BOLT 3/8-16 X 1.000 HHCS                 | 2   |
| 16   | 15822   | NUT, M10 X 1.5 FLANGE TOP LOCK           | 4   |
| 17   | 15824   | BOLT, M10 X 1.5 X 40 FHCS                | 4   |
| 18   | 14808   | SHOCK, 325MM - CHR/BLK                   | 2   |
| 19   | 15077   | KIT, BRAKE PAD REAR                      | 1   |
| 20   | 15076   | CALIPER, BRAKE WITH PADS - REAR          | 1   |
| 21   | 14615   | BOLT, M8 X 1.25 X 95 FLANGE              | 1   |
| 22   | 14495   | WASHER, M8 SPLIT LOCK                    | 2   |
| 23   | 14432   | BOLT, M8 X 1.25 X 12 HHCS                | 4   |
| 24   | 14452   | BOLT, M12 X 1.25 X 60 FHCS               | 2   |
| 25   | 14191   | BUSHING, SWINGARM ISOLATOR               | 2   |

| Ref# | Part# | Description                          | Qty |
|------|-------|--------------------------------------|-----|
| 26   | 14324 | NUT, M12x1.25 LOCKING FLANGE DAC     | 2   |
| 27   | 14449 | BOLT, M10 X 1.25 X 195 HHCS          | 1   |
| 28   | 14177 | SPANNER, ENGINE MOUNT                | 1   |
| 29   | 14243 | NUT, M10 X 1.25 LOCKING FLANGE       | 2   |
| 30   | 14906 | PIN, LATCH                           | 2   |
| 31   | 14907 | NUT, LATCH ADJUST                    | 2   |
| 32   | 14908 | BRACKET, LATCH ADJUST                | 2   |
| 33   | 15088 | SCREW, BED ADJUST W/ BUMPER          | 2   |
| 34   | 14610 | NUT, M8 X 1.25                       | 4   |
| 35   | 14186 | COVER, BATTERY - 6150/7150           | 1   |
| 36   | 14188 | GASKET, BATTERY CAP - 6150/7150      | 1   |
| 37   | 14189 | BATTERY - GTX9-BS                    | 1   |
| 38   | 14187 | STRAP, BATTERY HOLD DOWN - 6150/7150 | 1   |
| 39   | 14456 | CABLE, D/N/R SHIFT                   | 2   |
| 40   | 14473 | BRACKET, SHIFT CABLE                 | 1   |
| 41   | 14750 | DISC, SHIFT CONTROL, METAL           | 1   |
| 42   | 14749 | ASM, TRANS SHIFT LEVER, METAL        | 1   |
| 43   | 14433 | BOLT, M8 X 1.25 X 15 FHCS ZN         | 2   |
| 44   | 14426 | BOLT, M6 X 1.00 X 14 FHCS            | 1   |
| 45   | 14238 | WASHER, M6 SPLIT LOCK                | 1   |
| 46   | 14185 | GUARD, LOWER CHAIN                   | 1   |
| 47   | 14372 | BOLT, M6 X 1.00 X 16 FHCS            | 4   |
| 48   | 14236 | NUT, M6 X 1.00 NYLOC                 | 4   |
| 49   | 14500 | WASHER, M8 STAR                      | 1   |
| 50   | 14446 | BOLT, M10 X 1.25 X 45 FHCS           | 1   |

# 200 SERIES LUTV SECTION 22 REAR AXLE

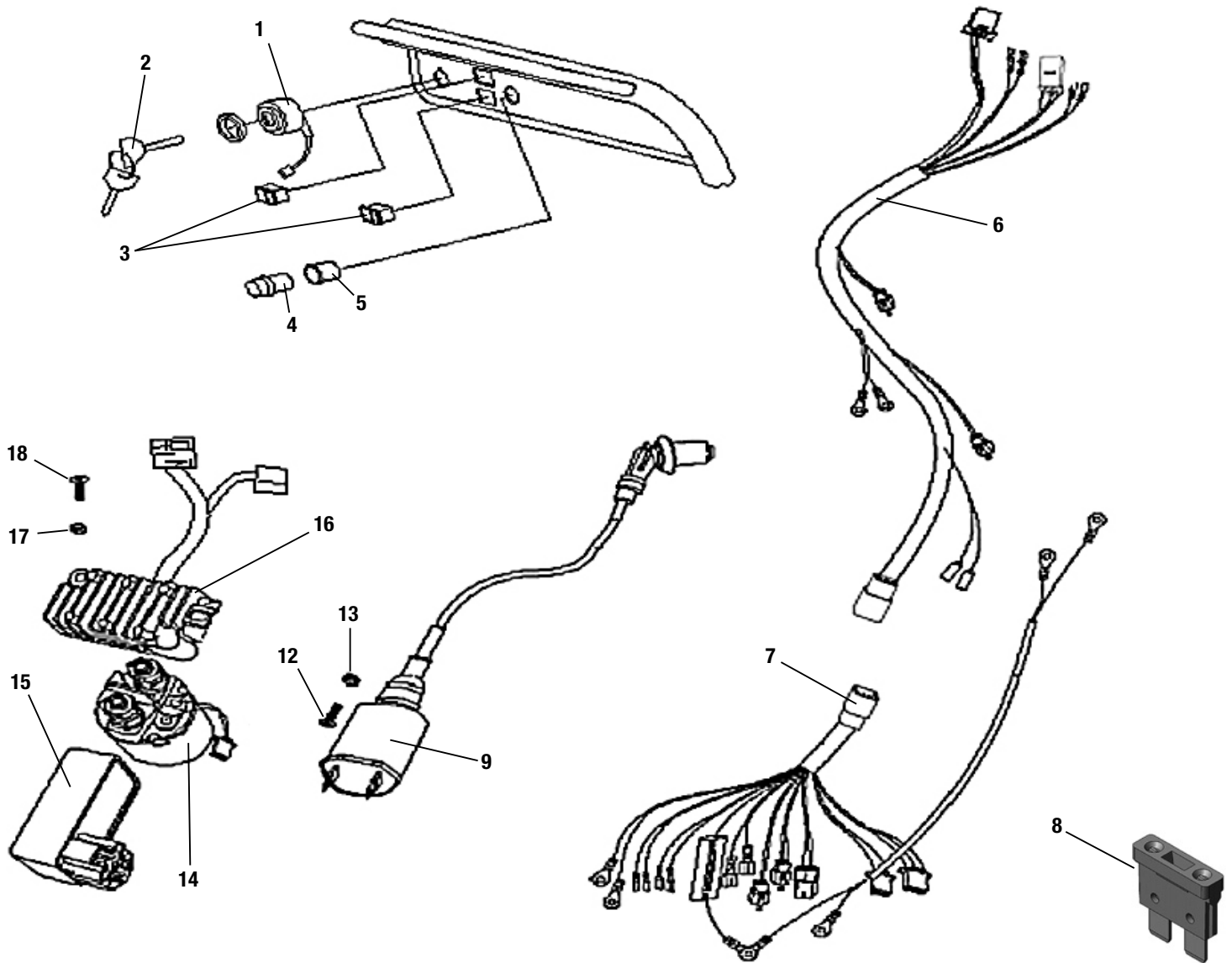


| Ref# | Part# | Description                       | Qty |
|------|-------|-----------------------------------|-----|
| 1    | 14435 | BOLT, M8 X 1.25 X 22 FHCS ZN      | 4   |
| 2    | 14202 | DISC, 8.75 REAR BRAKE - 6150/7150 | 1   |
| 3    | 14088 | NUT, M8 X 1.25 LOCKING FLANGE ZN  | 16  |
| 4    | 14816 | AXLE, TAPERED END - 200 SERIES    | 1   |
| 5    | 14831 | CHAIN, DBL ROW 54 X 50P INCL ML   | 1   |
| 6    | 14819 | SPROCKET, DBL ROW 40T - 200S      | 1   |
| 7    | 14436 | BOLT, M8 X 1.25 X 25 FHCS ZN      | 4   |
| 8    | 14206 | SEAL, M50 X 34 X 7 DUST           | 2   |
| 9    | 14207 | HOUSING, AXLE BRG - 6150/7150     | 2   |
| 10   | 14208 | BEARING - 6206                    | 2   |
| 11   | 14209 | FLANGE, BEARING - 6150/7150       | 2   |
| 12   | 14439 | BOLT, M8 X 1.25 X 40 FHCS ZN      | 6   |
| 13   | 14210 | SEAL, M42 X 30 X 7 DUST           | 2   |
| 14   | 14147 | STUD, M10 X 1.25 X 31 WHEEL       | 8   |
| 15   | 14817 | HUB, TAPERED 150CC - 4-165MM      | 2   |

| Ref# | Part# | Description                      | Qty |
|------|-------|----------------------------------|-----|
| 16   | 14912 | MASTER LINK, DR 50 CHAIN         | 1   |
| 17   | 14830 | SPROCKET, DBL ROW 50P 12T - 200S | 1   |
| 18   | 14218 | KEEPER, SPROCKET - 6150/7150     | 1   |
| 19   | 14296 | BOLT, M6 X 1.00 X 12 FHCS ZN     | 2   |
| 20   | 14248 | SPACER, M16 X 16 X 4             | 2   |
| 21   | 15384 | WASHER, BELLEVILLE, M16          | 2   |
| 22   | 14249 | NUT, M16 X 2.00 CASTLE           | 2   |
| 23   | 15387 | PIN, M3.2 X 32 COTTER            | 2   |
| 24   | 14151 | CAP, HUB NOSE - BLACK RUBBER     | 2   |
| 25   | 15672 | ASM, 22X10-10 TIRE/WH RH - GBLK  | 1   |
| 26   | 15673 | ASM, 22X10-10 TIRE/WH LH - GBLK  | 1   |
| 27   | 14814 | TIRE, 22X10-10 - FAR EAST        | 1   |
| 28   | 15675 | WHEEL, 10X8.5 - GBLK - 4-136     | 2   |
| 29   | 13979 | NUT, M10 X 1.25 WF ZN            | 8   |

NOTE: parts denoted as left or right hand are from driver's point of view.



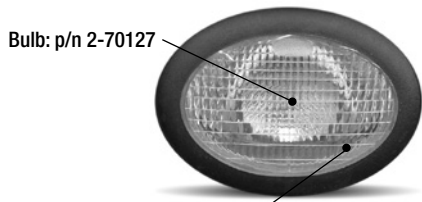


| Ref# | Part# | Description                              | Qty |
|------|-------|--|-----|
| 1    | 14222 | SWITCH, KEYED IGNITION W/KEY - 6150/7150 | 1   |
| 2    | 14588 | KEY SET - 6150/7150                      | 1   |
| 3    | 14220 | SWITCH, HEADLIGHT - 7150                 | 2   |
| 4    | 14914 | PLUG, WEATHER - 12V OUTLET               | 1   |
| 5    | 14915 | OUTLET, 12V 15A                          | 1   |
| 6    | 15573 | HARNESS, MAIN CHASSIS AS201              | 1   |
| 7    | 15574 | HARNESS, SWINGARM AS201                  | 1   |
| 8    | 11081 | FUSE 10 AMP BLADE TYPE                   | 2   |

| Ref# | Part# | Description                              | Qty |
|------|-------|--|-----|
| 9    | 14227 | COIL, IGNITION W/CAP - 6150/7150         | 1   |
| 12   | 14425 | BOLT, M5 X .75 X 25 PHMS ZN              | 1   |
| 13   | 14491 | NUT, M5 X .75 NYLOC ZN                   | 1   |
| 14   | 14225 | RELAY, STARTER - 6150/7150               | 1   |
| 15   | 14226 | CDI - 6150/7150                          | 1   |
| 16   | 15085 | REGULATOR, VOLTAGE - HO ALTERNATOR - 200 | 1   |
| 17   | 14236 | NUT, M6 X 1.00 NYLOC FLANGE ZN           | 2   |
| 18   | 14428 | SCREW, M6 X 1.00 X 20 PHMS DAC           | 2   |

NOTE: parts denoted as left or right hand are from driver's point of view.

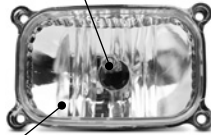
# HEADLIGHT REPLACEMENT BULBS AND ASSEMBLIES FOR ASW UTILITY VEHICLES



Bulb: p/n 2-70127

Assembly: p/n 2-70129  
(5 1/4" oval)

Bulb: p/n 2-70127



Assembly: p/n 2-70133  
(4 3/8" rectangle)



Bulb: p/n 2-70127

Assembly: p/n 15648  
(3 1/4" Round)

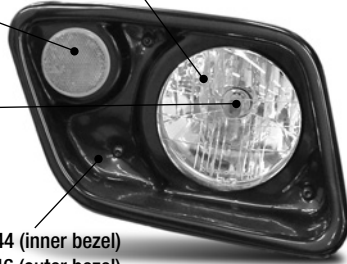


Bulb: Sealed housing  
no bulb available

Assembly: p/n 14768  
(4" round)

Light assembly: p/n 2-70158  
(5" round)

Amber reflector: p/n 14784  
(2 1/4" Round)

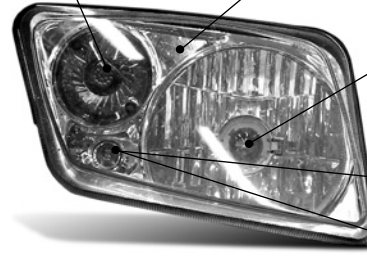


Bulb: p/n 2-70122

Plastic insert: p/n "Driver Side" 15944 (inner bezel)  
15946 (outer bezel)

Plastic insert: p/n "Passenger Side" 15943 (inner bezel)  
15945 (outer bezel)

Bulb: p/n 15304  
Light assembly: p/n 2-70153 (driver side)  
Light assembly: p/n 2-70154 (passenger side)



Bulb: p/n 2-70146

Twist-in Bulb:  
Sylvania 1891 or equivalent



Depending on your year of manufacture,  
this housing either has a "push-in" or "twist-in" bulb



Push-in Bulb:  
Sylvania 2825 or equivalent

Measurements are taken from left to right of the visible portion of the lens



7625 DiSalle Boulevard  
Fort Wayne IN 46825

62194 Commercial Street  
Roseland, LA 70456

Toll Free 800-643-7332  
Fax 800-399-1399  
www.amsportworks.com