

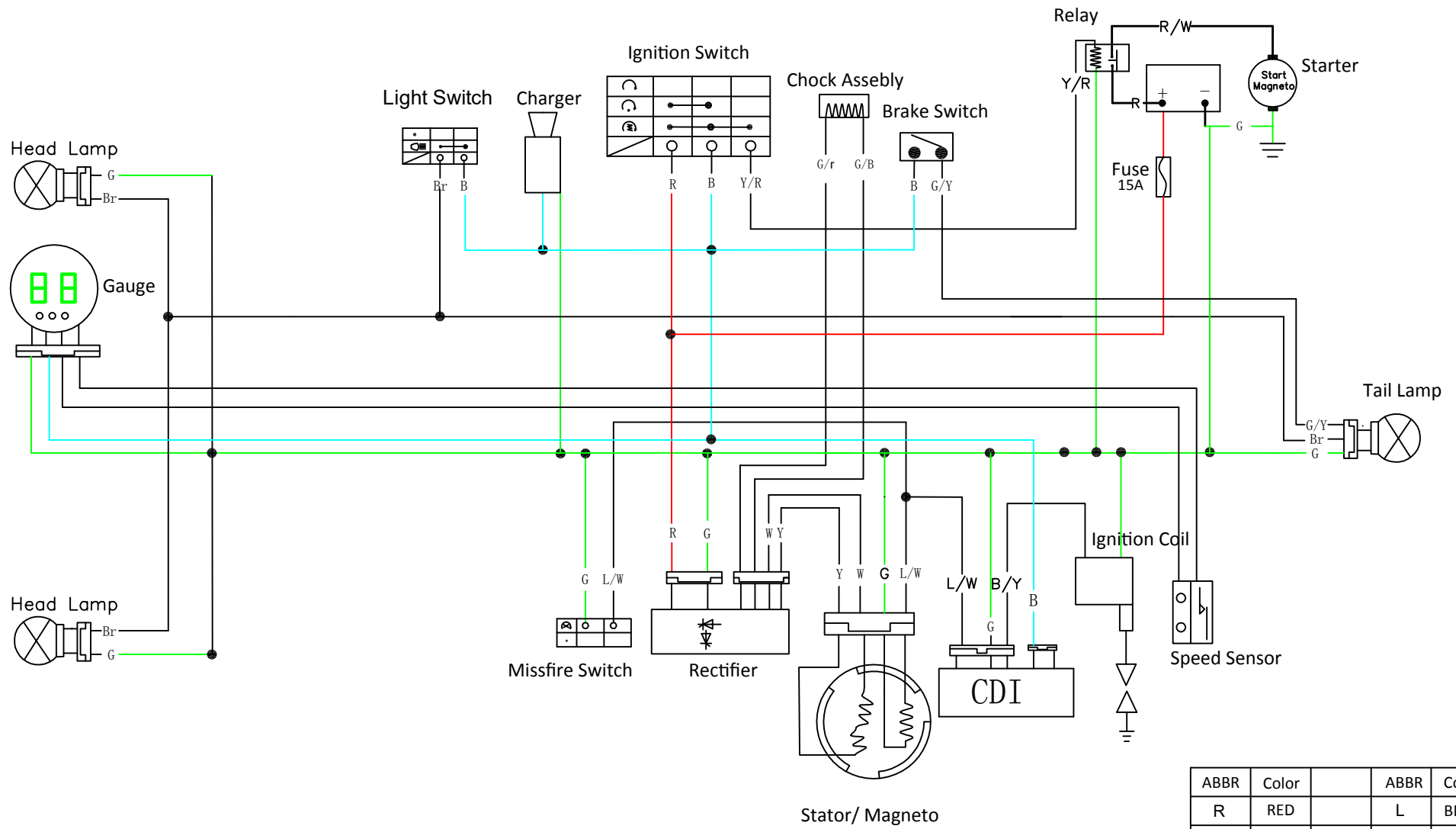


**2019-2026**  
**LE 150**

10th letter in VIN: K-T

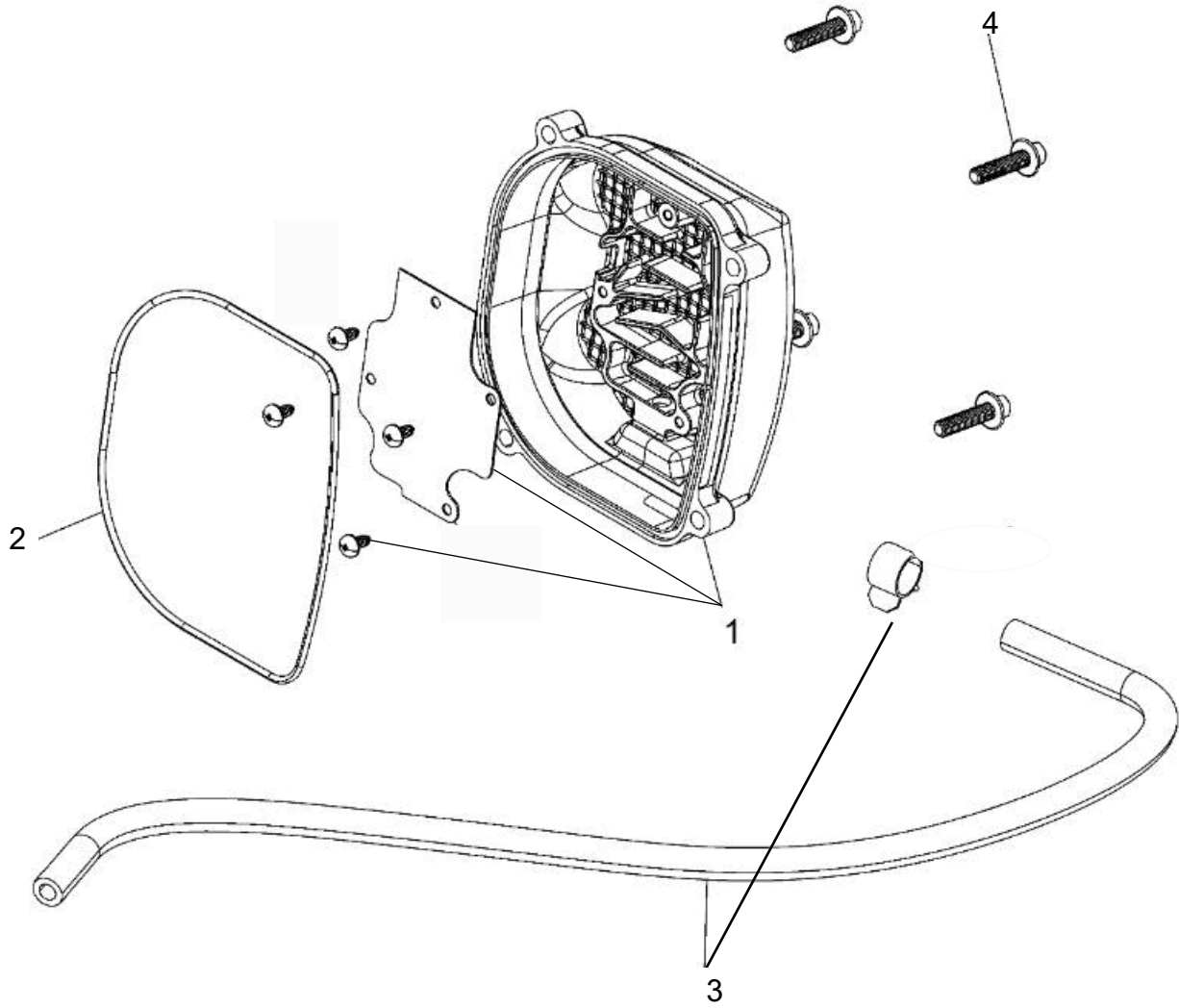


**ILLUSTRATED PARTS BOOK**



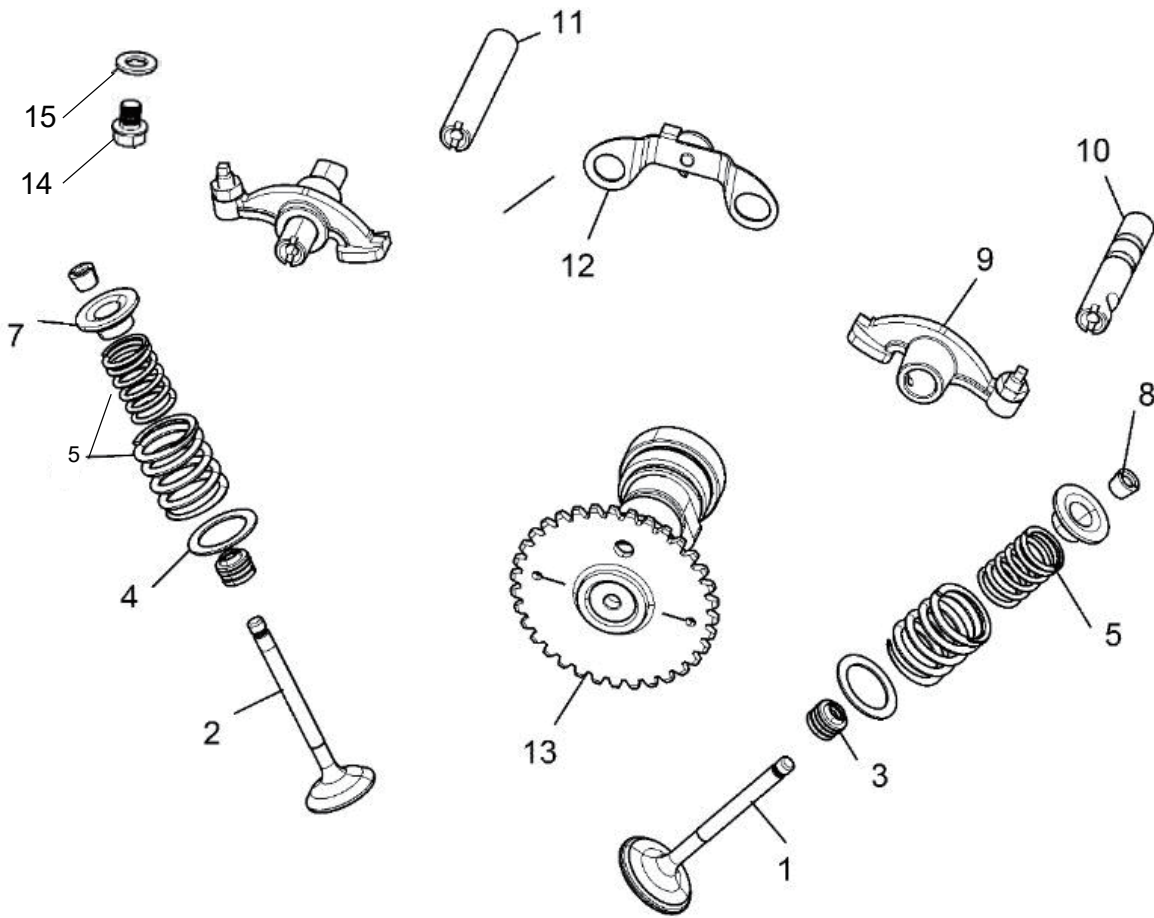
ABBR	Color	ABBR	Color
R	RED	L	BLUE
G	GREEN	O	ORANGE
B	BLACK	Gr	GRAY
Y	YELLOW	Br	BROWN
W	WHITE	SB	SHALLOW BLUE

# ENGINE, BREATHER



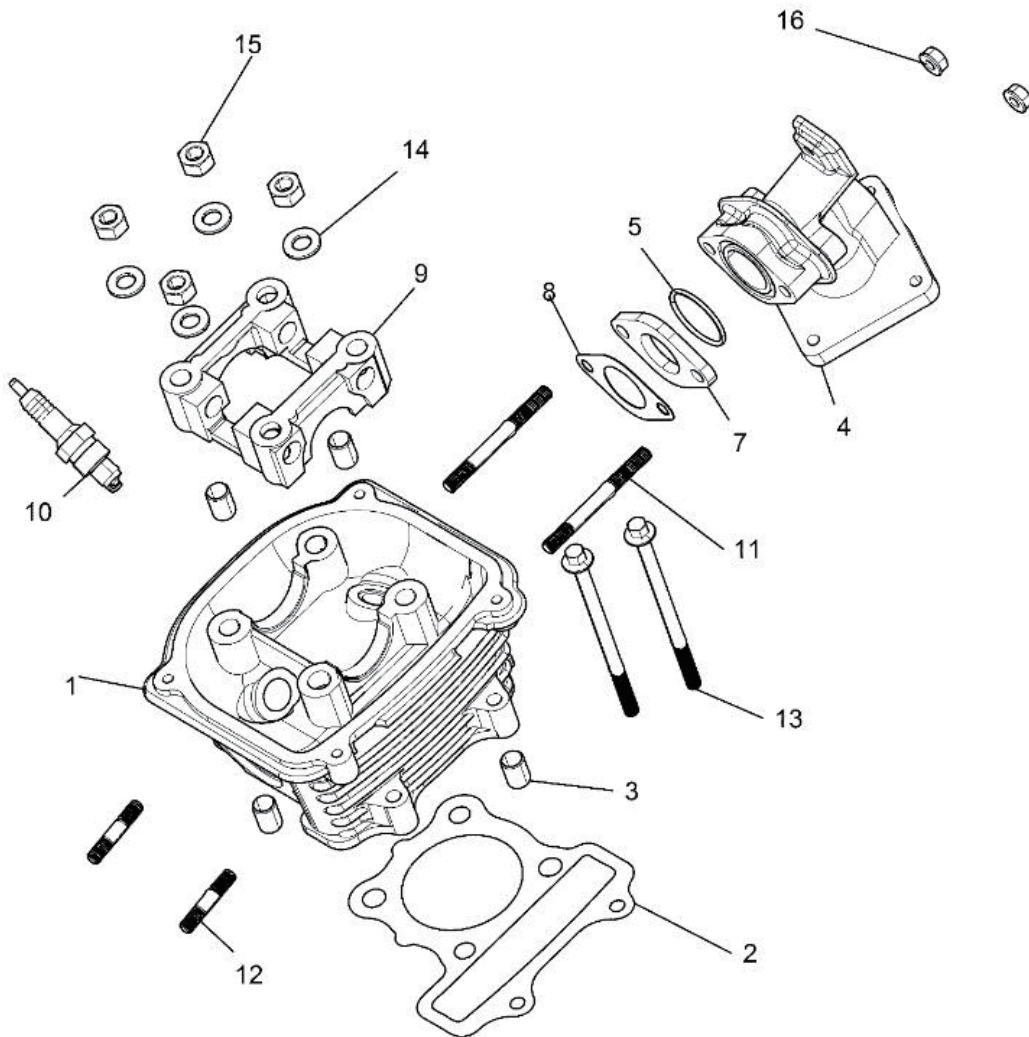
ENGINE, BREATHER			
Ref#	Part#	Description	Quantity
1	M150-1001100	COVER, CYLINDER HEAD	1
2	M150-1001103	VALVE COVER SEAL	1
3	M150-1001001	Vent line	1
4	M150-1003075	BOLT M6X25	4

# ENGINE VALVE TIMING



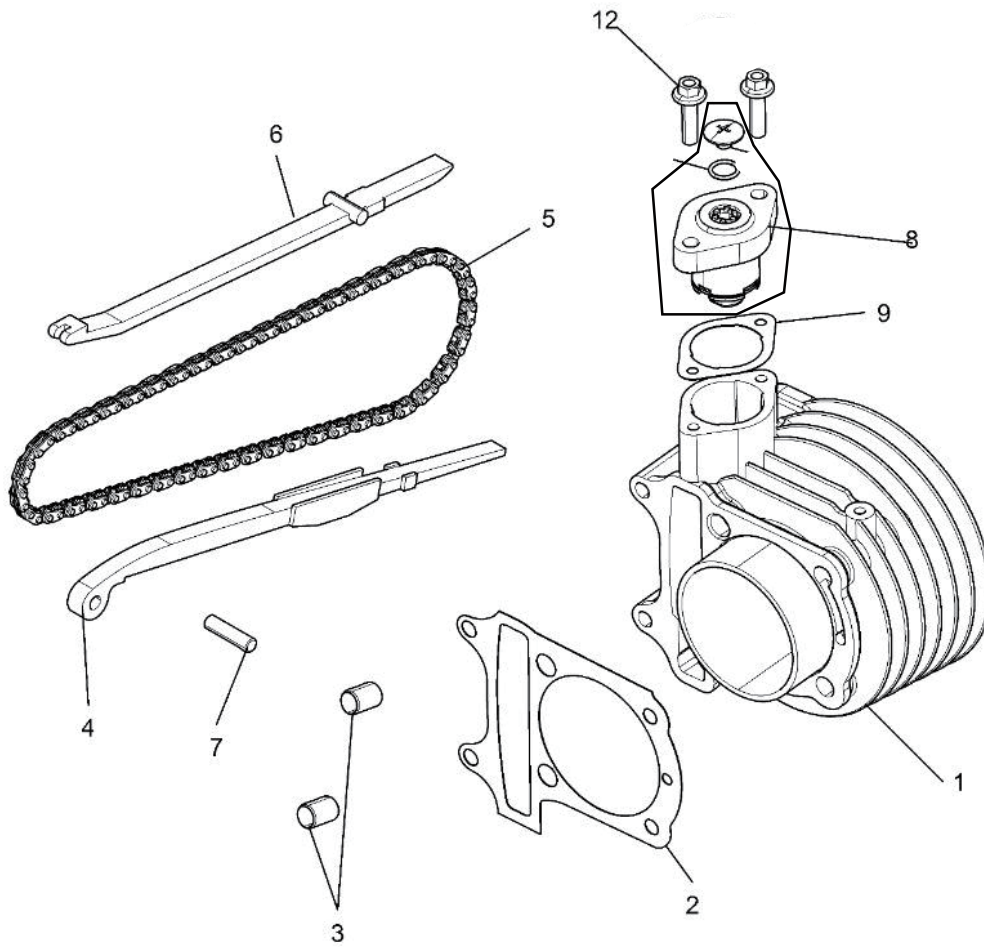
ENGINE VALVE TIMING			
Ref#	Part#	Description	Quantity
1	M150-1001301-N	INTAKE VALVE	1
2	M150-1001307-N	EXHAUST VALVE	1
3	M150-1001310	STEM SEAL, VALVE	2
4	M150-1001302	SEAT, VALVE SPRING	2
5	M150-1001303	INNER SPRING, VALVE	2
5		OUTER SPRING, VALVE	2
7	M150-100305	RETAINER, VALVE SPRING	2
8	M150-1001306	VALVE COTTER	4
9	M150-1005002	ROCKER ARM SHAFT SET	2
10	M150-1005200	INTAKE ROCKER SHAFT	1
11	M150-1005005	EXHAUST ROCKER SHAFT	1
12	M150-1005100	CAGING PLATE	1
13	M150-1005300-N	CAMSHAFT COMP	1
14	M150-1005003	TAPPET SCREW ADJUSTING	2
15	M150-1005004	TAPPET NUT ADJUSTING	2

# ENGINE, CYLINDER HEAD ASM



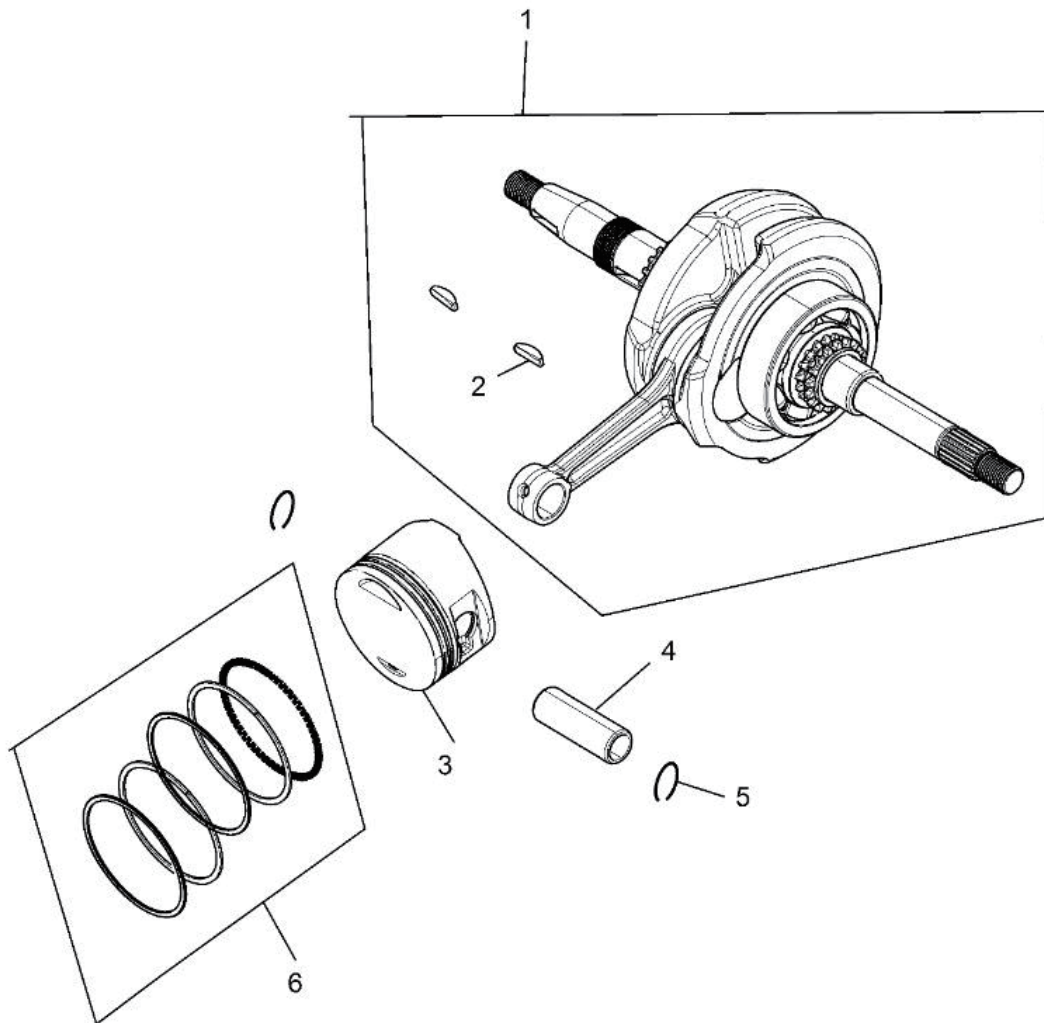
ENGINE, CYLINDER HEAD ASM			
Ref#	Part #	Description	Quantity
1	M150-100-1320	CYLINDER HEAD	1
2	M150-1001010	GASKET CYLINDER HEAD	1
3	M150-1001007	DOWEL PIN 10X16	4
4	M150-1001210	INTAKE PIPE	1
5	M150-1001201	O-RING 27X2	1
7	M150-1001005	INSULATOR, INTAKE	1
8	M150-3050352	GASKET, CARBURATOR INSULATOR	1
9	M150-1005001-N	CAMSHAFT HOLDER	1
10	98056-57713-00	SPARK PLUG	1
11	M150-1001006	BOLT STUD M6X63	2
12	M150-1001011	BOLT STUD M6X32	2
13	M150-1003007	BOLT M6X100	2
14	M150-1003004	WASHER 8	4
15	M150-1003003	NUT M8	4
16	95500-06001-KAS	NUT M6	2

# ENGINE, CYLINDER COMP



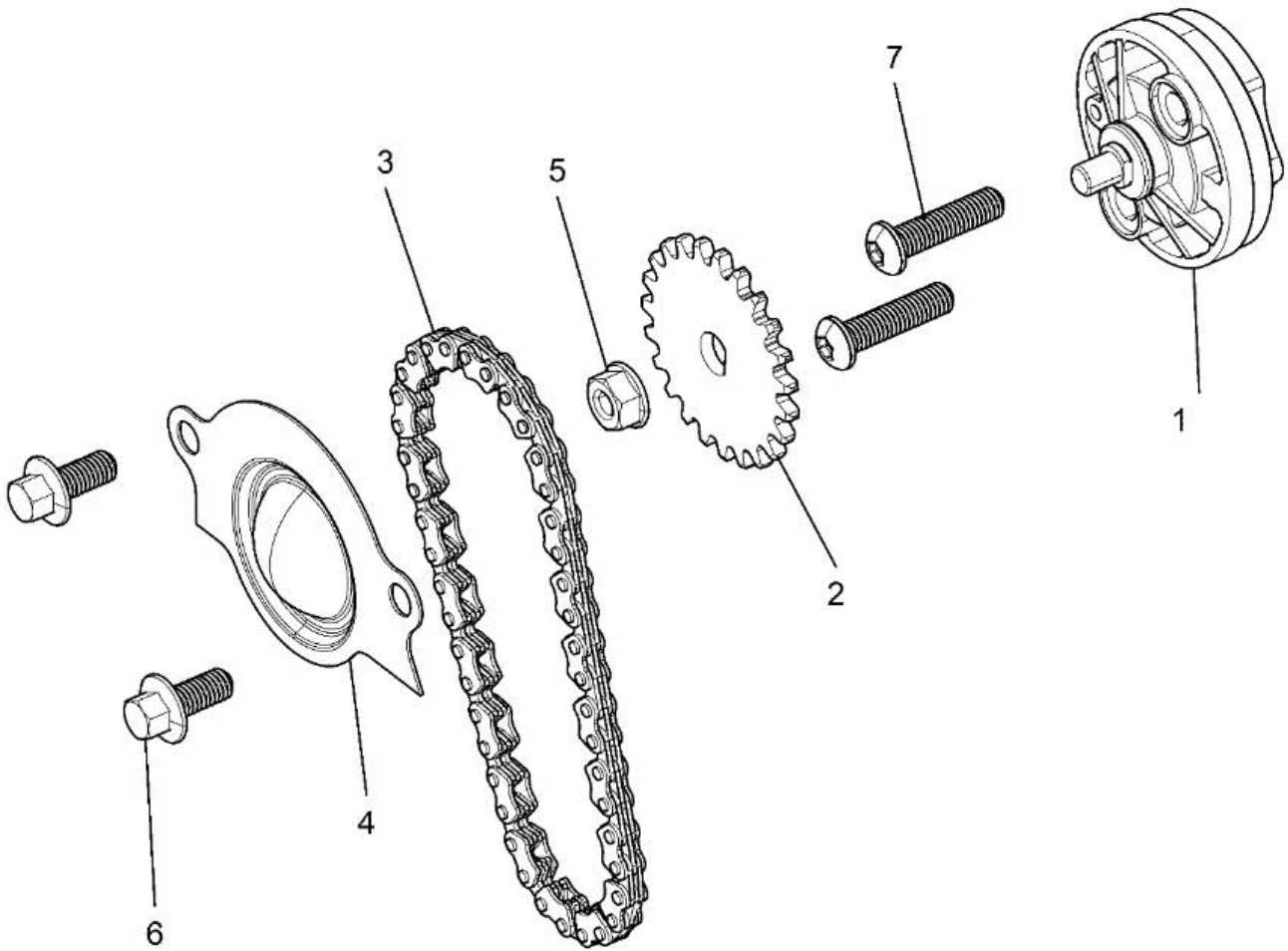
ENGINE, CYLINDER COMP			
Ref#	Part #	Description	Quantity
1	M150-1002200	CYLINDER BLOCK	1
2	M150-3050351	GASKET, CYLINDER BLOCK	1
3	M150-1001007	DOWEL PIN 10X16	1
4	M150-1003500	CHAIN GUIDE PLATE	1
5	M150-1005400	TIMING CHAIN	1
6	M150-1002300	TENSION PLATE	1
7	14559	TENSION ROD FIXED PIN	1
8	M150-1002100	ASM., TENSIONER	1
9	M150-3050347	GASKET, TENSIONER	1
12	96001-06020-KAT	BOLT M6X22	1

# ENGINE, CRANKSHAFT, CONNECTING ROD AND PISTON



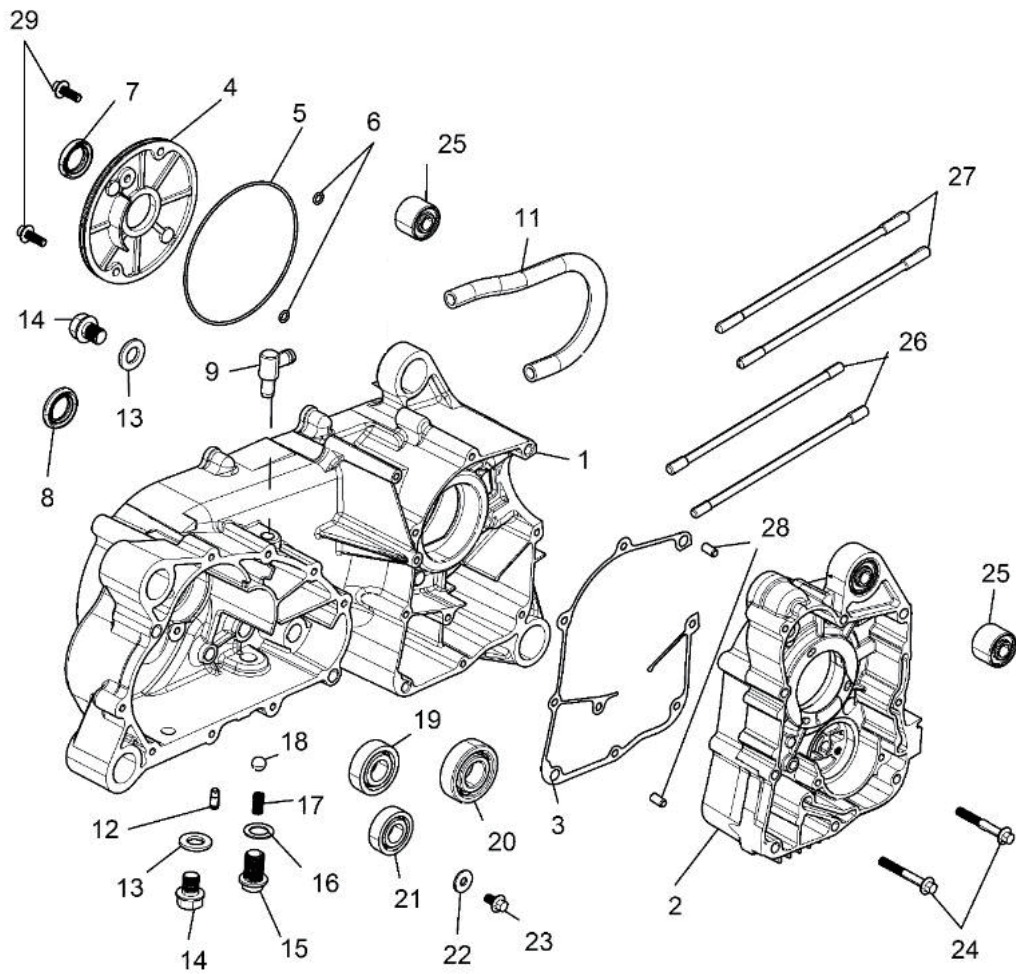
ENGINE, CRANKSHAFT, CONNECTING ROD AND PISTON			
Ref#	Part #	Description	Quantity
1	M150-1004100-N	ASM., CRACKSHAFT	1
2	M150-1004002	WOODRUFF KEY 4X14	2
3	M150-1004001	PISTON	1
4	M150-1004006	PIN, PISTON	1
5	M150-1004003	CIRCLIP, PISTON PIN	2
6	M150-1004200	RING SET, PISTON	1

# ENGINE, OIL PUMP



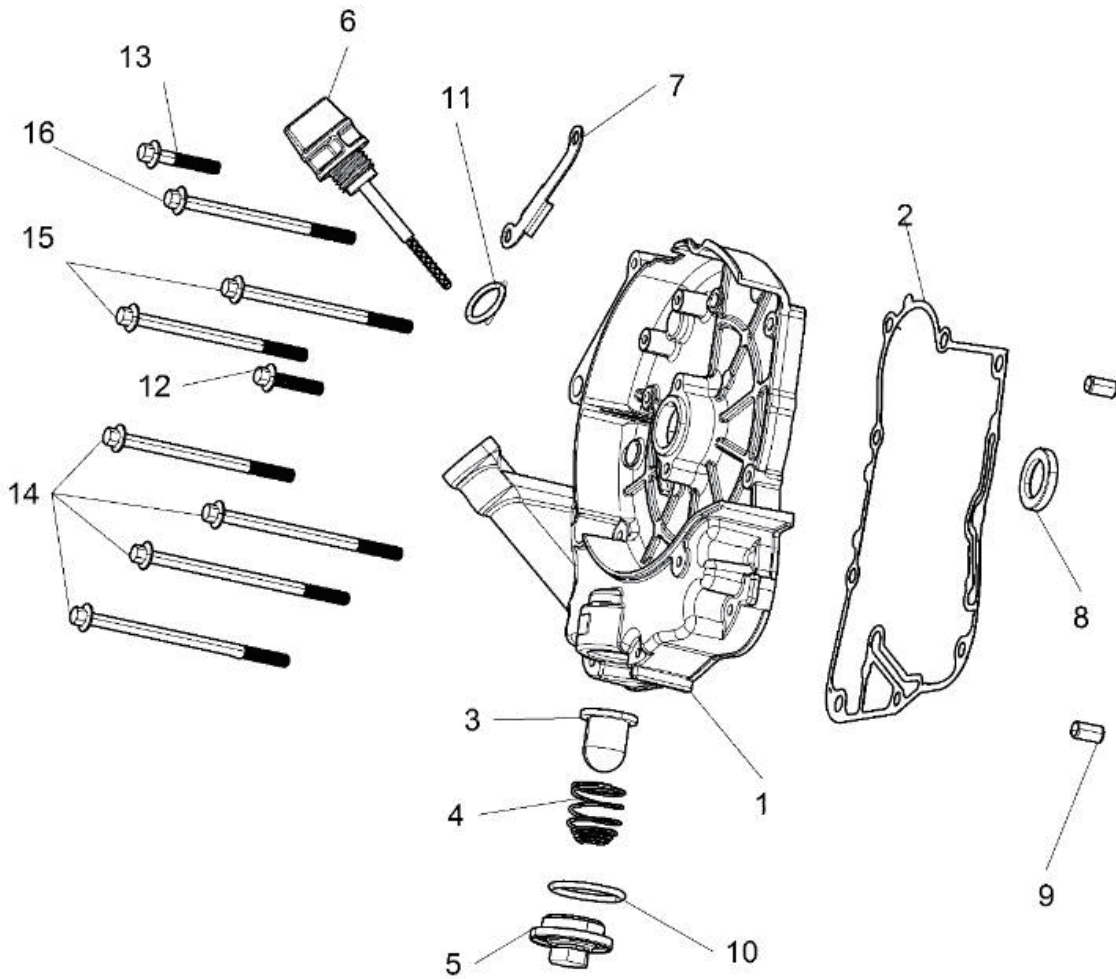
ENGINE, OIL PUMP			
Ref#	Part #	Description	Quantity
1	M150-1022000	ASM., OIL PUMP	1
2	M150-1020001	GEAR, OIL PUMP	1
3	M150-1021000	CHAIN, OIL PUMP	1
4	M150-1003202	COVER	1
5	M150-1020002	NUT M6	1
6	M150-1003005-B	BOLT M6X14	2
7	M150-1003075	BOLT M6X25	2

# ENGINE, CRANKCASE COMP LEFT / RIGHT



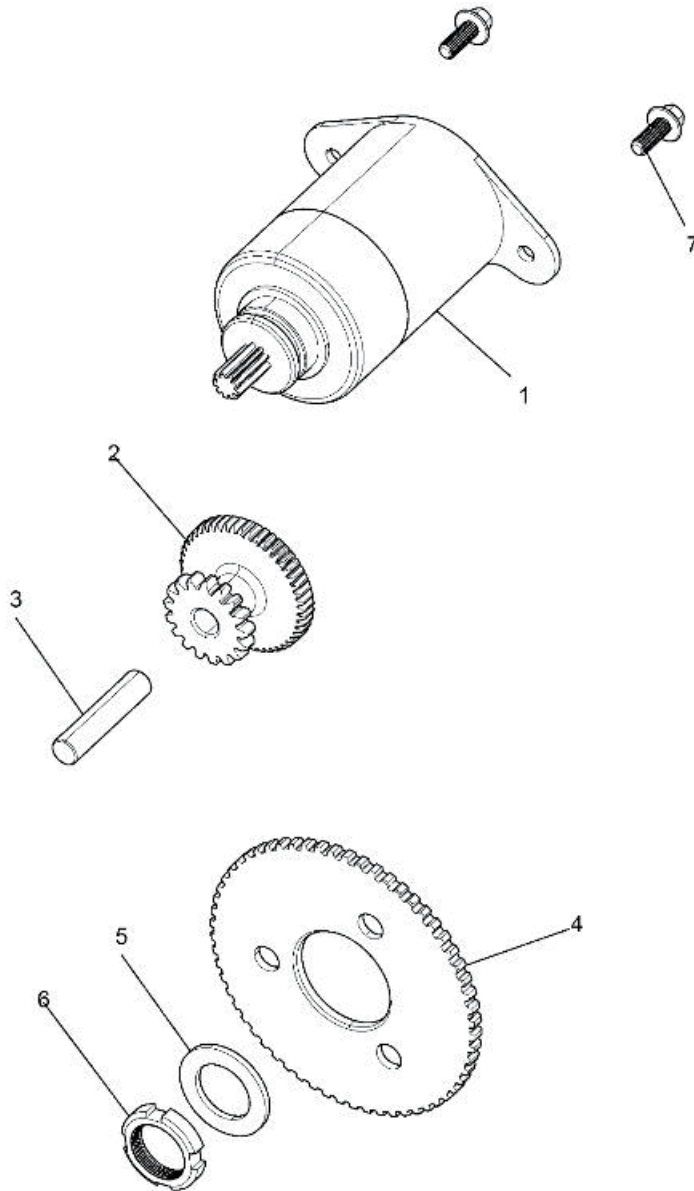
ENGINE, CRANKCASE COMP LEFT/RIGHT							
Ref#	Part #	Description	Quantity	Ref#	Part #	Description	Quantity
1	14280	CRANKCASE, LH	1	16	14311	WASHER 14.2X22X1.3	1
2	14277	CRANKCASE, RH	1	17	14310	POSITIONING SPRING	1
3	M150-3050348	GASKET CRANKCASE	1	18	14309	STEEL BALL SO10.319	1
4	14283	COVER	1	19	91004-E6203-KAT	BALL BEARING 6203	1
5	14284	O-RING 107X2	1	20	91004-E6204-KAT	BALL BEARING 6204	1
6	14285	O-RING 6X1.8	2	21	91004-E6202-KAT	BALL BEARING 6202	1
7	50104	OIL SEAL 19.8X30X5	1	22	14315	WASHER 6X18X1.6	1
8	14290	OIL SEAL 20X32X6	1	23	M150-1003203	BOLT M6X12	1
9	14308	VENTILATION PIPE	1	24	M150-1003032	BOLT M6X50	2
11	14307	WASTE PIPE SET (330mm)	1	25	M150-1003320	ENGINE HANGER BUSH	2
12	14502	BOX OUTLET NOZZLE	1	25	M150-1003320	ENGINE HANGER BUSH	2
13	14314	WASHER 12	2	26	M150-1003001	BOLT, CYLINDER STUD M8X18	2
13	14314	WASHER 12	2	27	M150-1003002	BOLT, CYLINDER STUD M8X19	2
14	14313	BOLT M12X1.5	2	28	M150-1003005	DOWEL PIN 8X14	2
14	14313	BOLT M12X1.5	2	29	14286	BOLT M6X18	2
15	14312	LOCATING BOLT M14X20.8	1				

# ENGINE, CRANKCASE COVER ASM, RIGHT



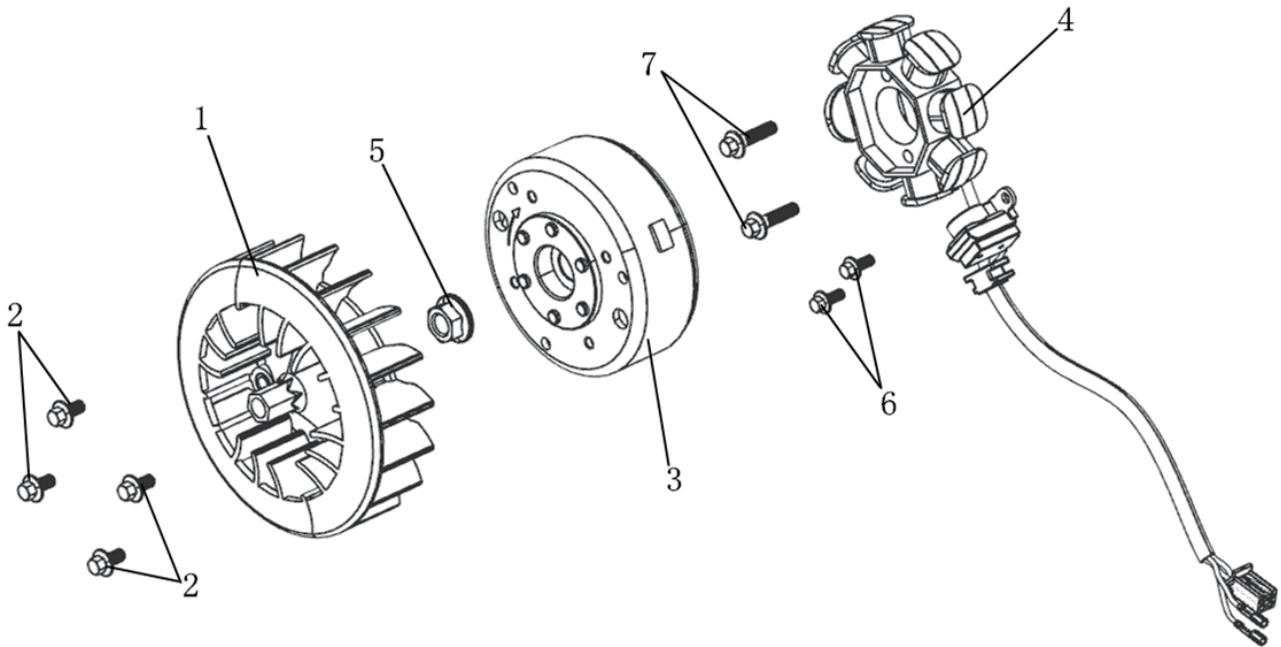
ENGINE, CRANKCASE COVER ASM, RIGHT			
Ref#	Part #	Description	Quantity
1	M150-1003101	CRANKCASE COVER, RH	1
2	M150-3050350	GASKET, CRANKCASE COVER, RH	1
3	M150-1003120	OIL FILTER SCREEN	1
4	M150-1003102	OIL FILTER SCREEN SPRING	1
5	M150-1003104	COVER, OIL FILTER SCREEN	1
6	M150-1003105	DIPSTICK	1
7	M150-1003006	CLAMP, A.C. GENERATOR CORD	1
8	M150-1003110	OIL SEAL 19.8X30X5	1
9	M150-1003005	DOWEL PIN 8X14	2
10	M150-1003103	O-RING 30.8X3.2	1
11	M150-1003307	O-RING 18X3	1
12	M150-1003034	BOLT M6X35	1
13	96001-0632-KAT	BOLT M6X28	1
14	M150-1003012	BOLT M6X95	4
15	M150-1003008	BOLT M6X110	2
16	M150-1003007	BOLT M6X100	1

# ENGINE, STARTER MOTOR



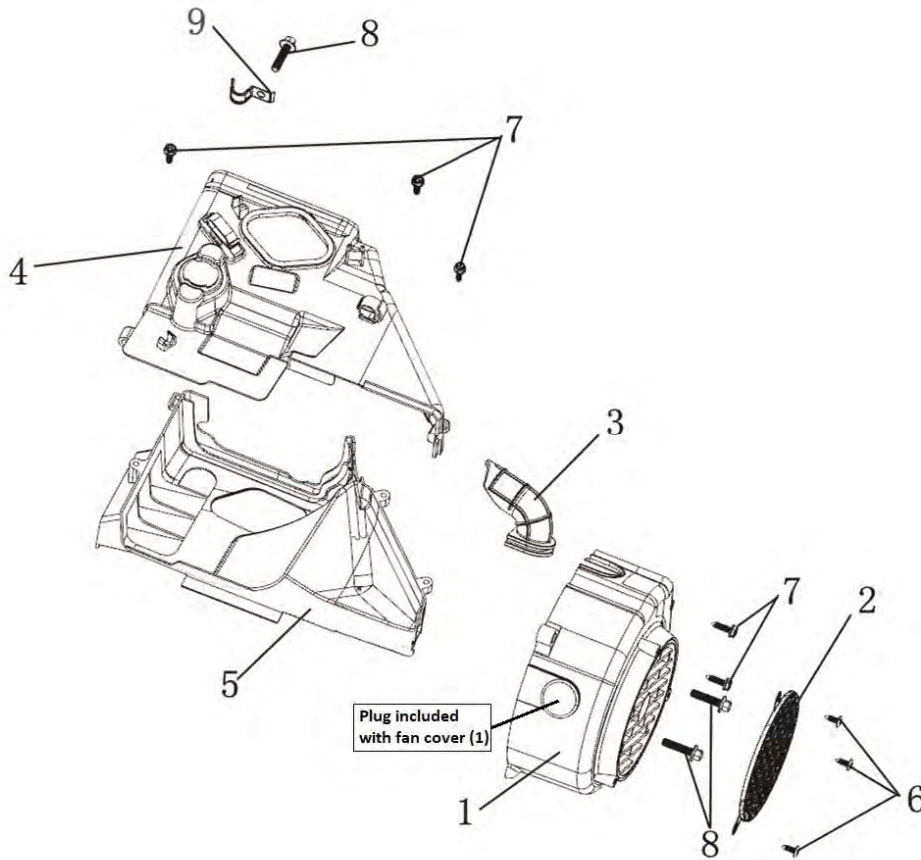
ENGINE, STARTER MOTOR			
Ref#	Part #	Description	Quantity
1	M150-1064000	STARTER MOTOR	1
2	M150-1060003	GEAR IDLER	1
3	M150-1060003	SHAFT	1
4	M150-1060001	ASM., STARTING CLUTCH	1
5	M150-1004013	WASHER 22X31X2.5	1
6	M150-1004009	NUT M22X1 (Le Hand Thread)	1
7	M150-1060005	BOLT M6X16	2

# ENGINE, STATOR AND FLYWHEEL



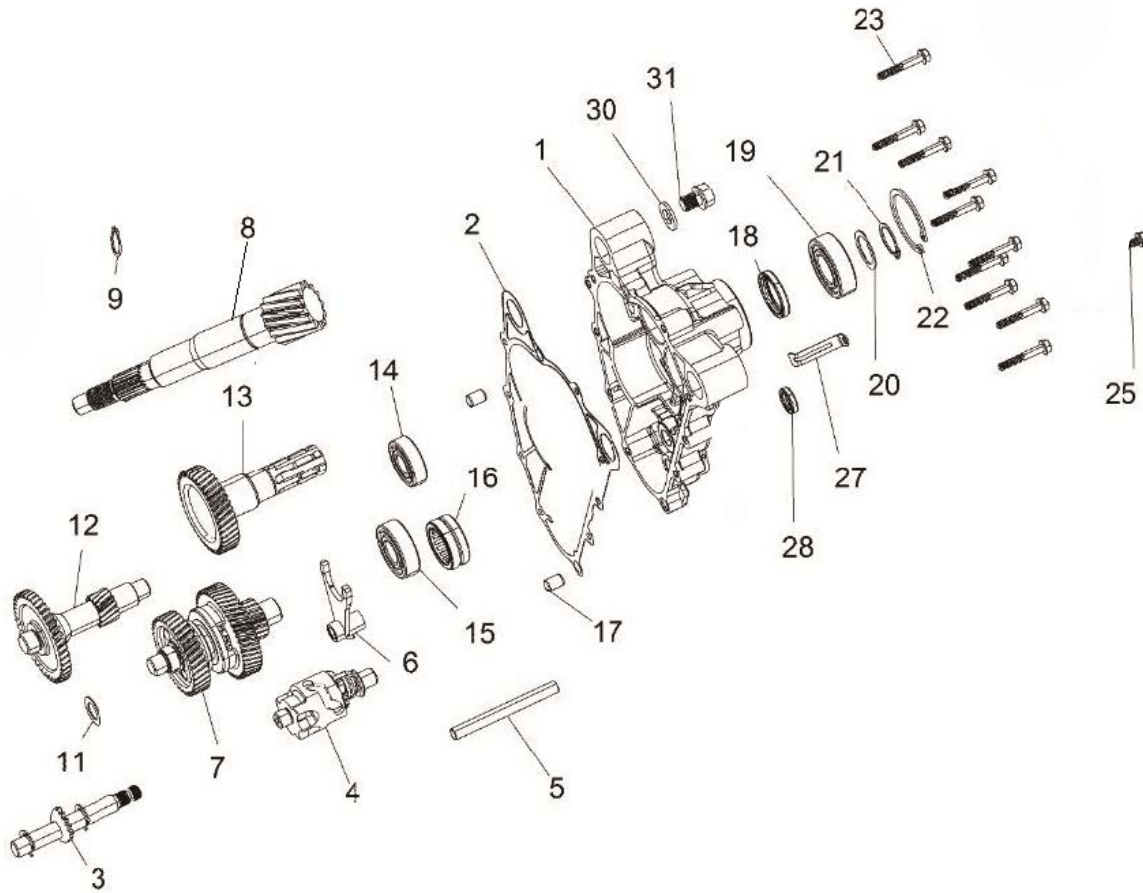
ENGINE, STATOR AND FLYWHEEL			
Ref#	Part#	Description	Quantity
1	M150-1051100-3	COOLING FAN	1
2	M150-1051100-4	BOLT M6X18	4
3	M150-1051100	STATOR FLYWHEEL	1
4	M150-1051200	STATOR COIL	1
5	M150-1004007	NUT M12X1.25	1
6	92101-05012-OH	BOLT M5X12	2
7	M150-1003106	BOLT M6X25	2

# ENGINE, FAN COVER AND SHROUD COMP



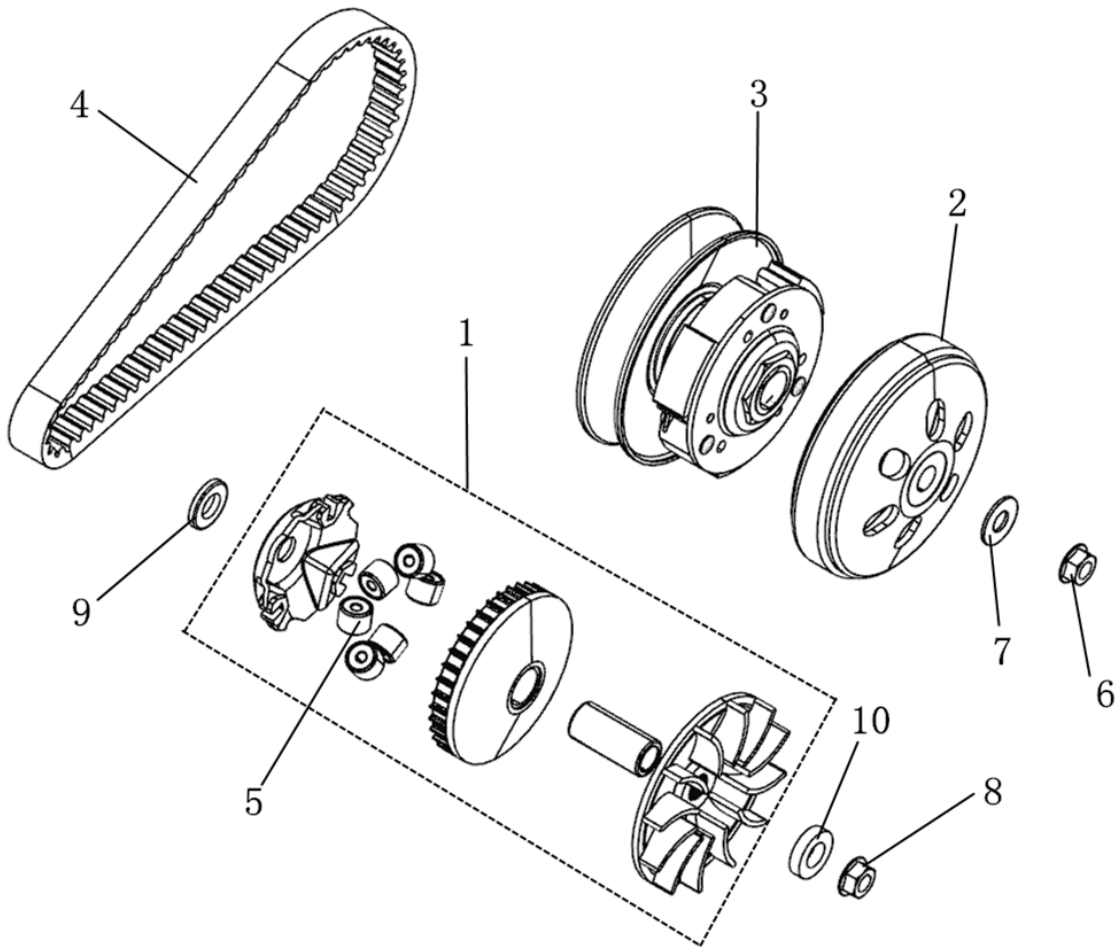
ENGINE, STATOR AND FLYWHEEL			
Ref#	Part#	Description	Quantity
1	M150-1009410	COVER, COOLING FAN	1
2	157A.12.305	ISOLATION MESH	1
3	M150-1009401	SHROUD COOLING PIPE	1
4	M150-1009110	SHROUD COMP B	1
5	M150-1009301	SHROUD COMP A	1
6	9.804.003	SCREW ST 4.2×16	3
7	M150-1009402	SCREW ST 4.8×16	5
8	M150-1003075	BOLT M6×25	3
9	152.11.509	OVERFLOW PIPE CLAMP	1

# DRIVE TRAIN MAIN GEAR CASE



DRIVE TRAIN MAIN GEAR CASE							
Ref#	Part #	Description	Quantity	Ref#	Part #	Description	Quantity
1	14297	GEAR BOX COVER	1	15	91004-E6204-KAT	BALL BEARING 6204	1
2	M150-3050349	GEAR BOX GASKET	1	16	14504	NEEDLE BEARING RNA4905	1
3	14305	ASM., TRANSMISSION SHAFT	1	17	14287	DOWEL PIN 10X14	2
4	14302	GEARSHIFT DRUM	1	18	14318	OIL SEAL 30X40X6	1
5	14304	FORK SHAFT	1	19	14598	BALL BEARING 6205-2RS	1
6	14303	FORK SHAFT	1	20	14511	WASHER 25X34X1	1
7	14300	ASM., GEARSHIFT SHAFT	1	21	14319	CIRCLIP 25	1
8	14298	DRIVE SHAFT	1	22	14320	CIRCLIP 52	1
9	14106	CIRCLIP 20	1	23	9.106.040	BOLT M6X40	10
				25	9.106.012	BOLT M6X12	1
11	14316	PLAIN WASHERS (STEEL) 15X19X1	1	27	14321	CABLE CLAMP	1
12	14299	ASM-REVERSE GEAR SHAFT	1	28	14597	OIL SEAL 14X22X5	1
13	14841	ASM-OUTPUT SHAFT	1	30	14314	WASHER 12	1
14	14503	BALL BEARING 6302	1	31	14313	BOLT M12X1.5	1

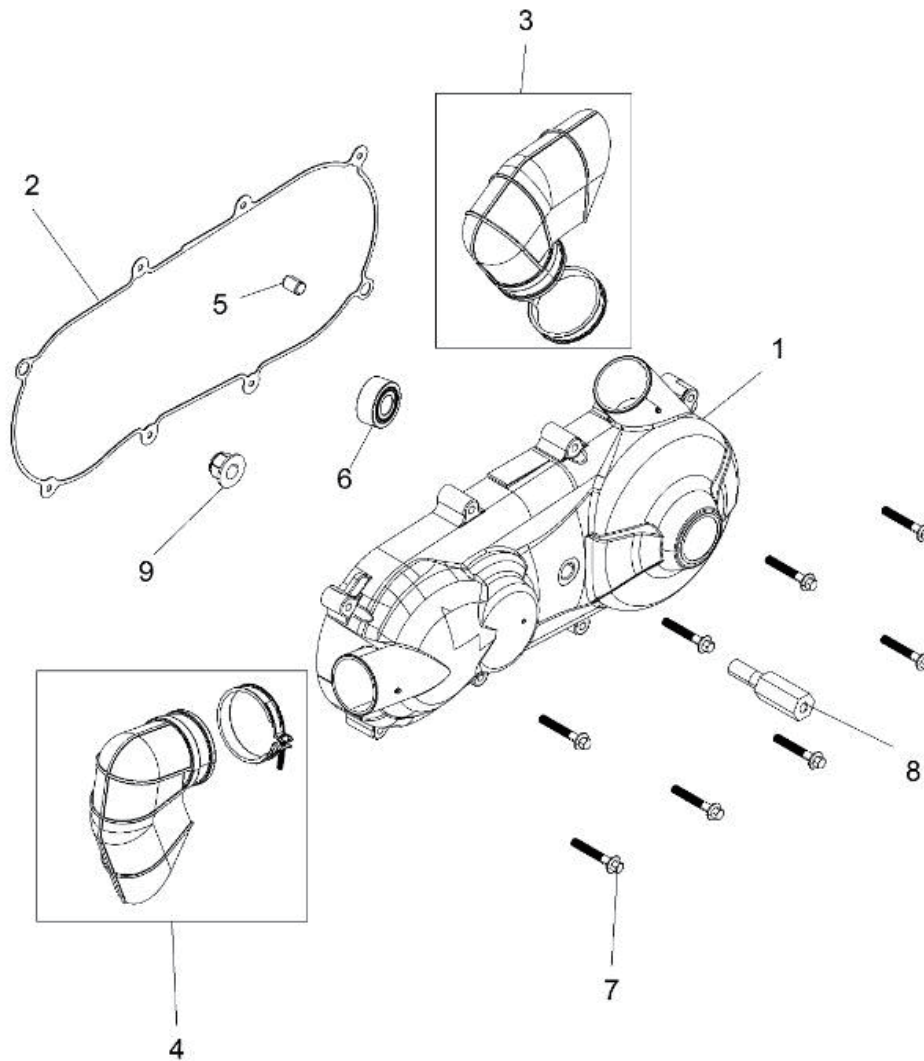
# DRIVE TRAIN, PRIMARY CLUTCH



## ENGINE, STATOR AND FLYWHEEL

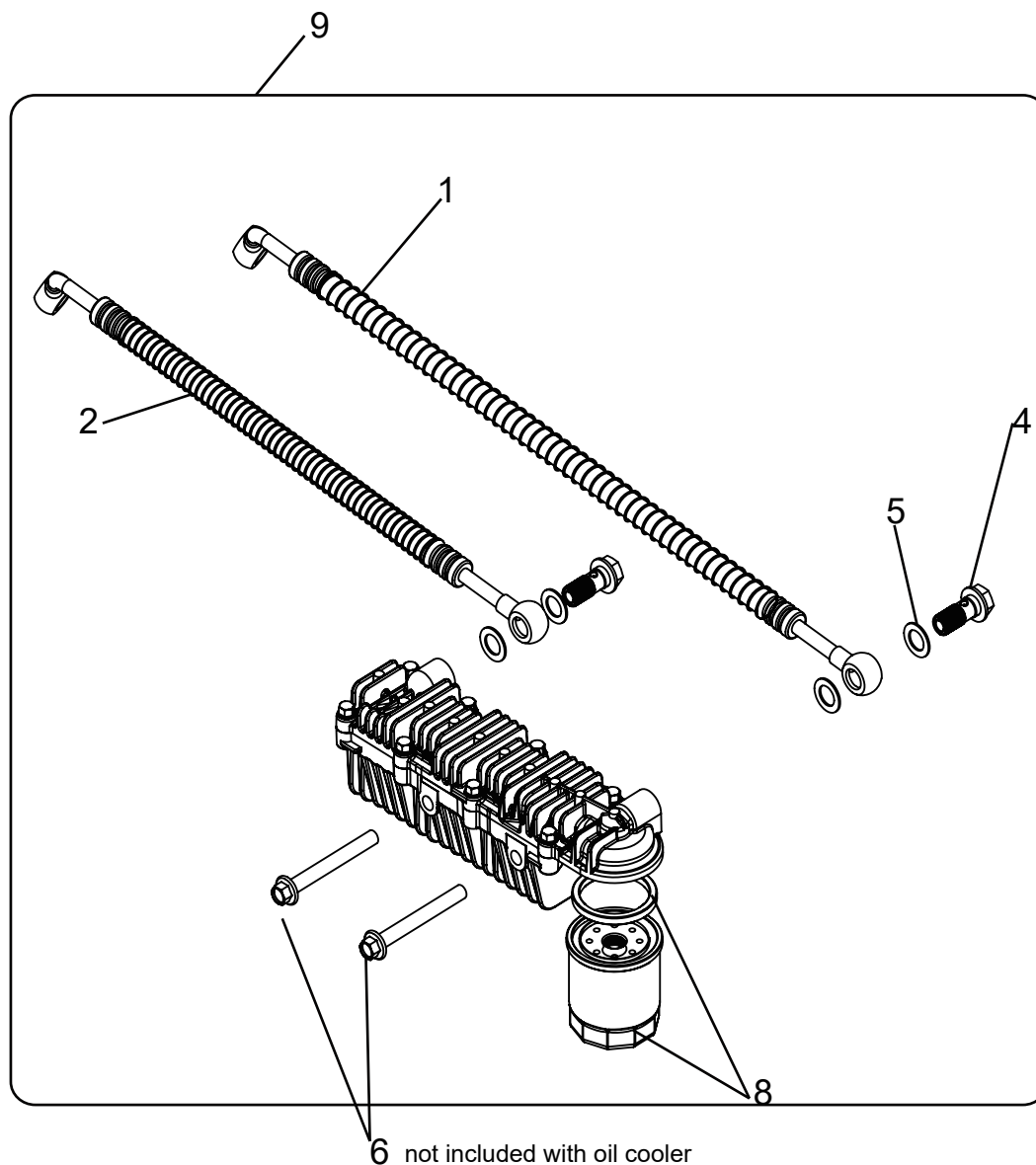
Ref#	Part#	Description	Quantity
1	M150-1071000	ASM,DRIVING PULLEY (include Rollers)	1
2	M150-1032000	DRIVEN DISC COMP	1
3	M150-1031000	DRIVEN PULLEY COMP	1
4	M150-1033000	V-BELT	1
5	M150-1071002	Rollers	6
6	M150-1004008	NUT M12×1.25×8	1
7	M150-1040005	WASHER 12	1
8	M150-1040007	Nut M12×1.25×11	1
9	157F.11.502	WASHER 15.2×29×4	1
10	157F.11.501	WASHER 15.2×29×7.5	1

# DRIVE TRAIN CLUTCH COVER AND DUCTING



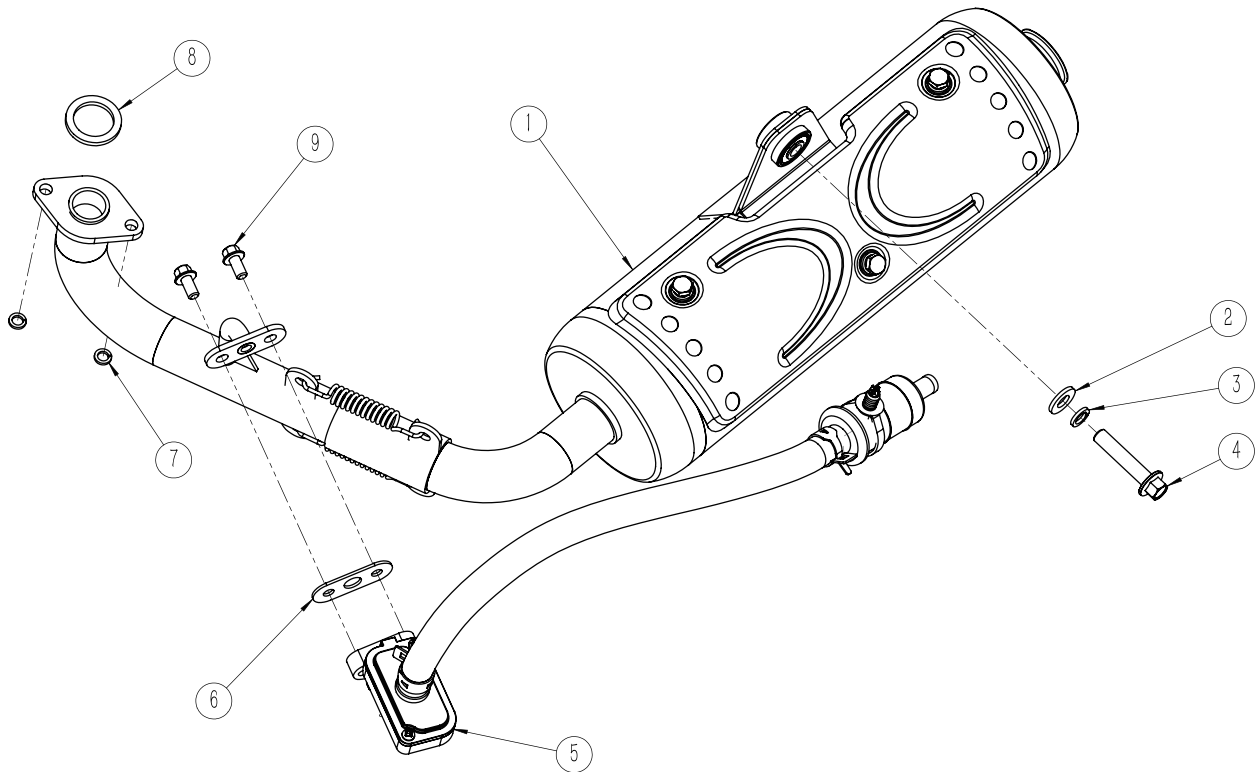
DRIVE TRAIN CLUTCH COVER AND DUCTING			
Ref#	Part #	Description	Quantity
1	M150-1008101-N	CRANKCASE COVER, LH	1
2	M150-3050353	GASKET, CRANKCASE COVER, LH	1
3	14322	ASM., ASPIRTAION CHANNEL, B	1
4	14322	ASM., ASPRIATION CHANNEL, A	1
5	M150-1003005	DOWEL PIN 10X14	2
6	14508	BALL BEARING 6200-2RZ	1
7	14235	BOLT M6X40	8
8	14507	MUFFLER BRACKET BOLTS	1
9	M150-1004008	NUT M12X11	1

# OIL COOLER ASSEMBLY



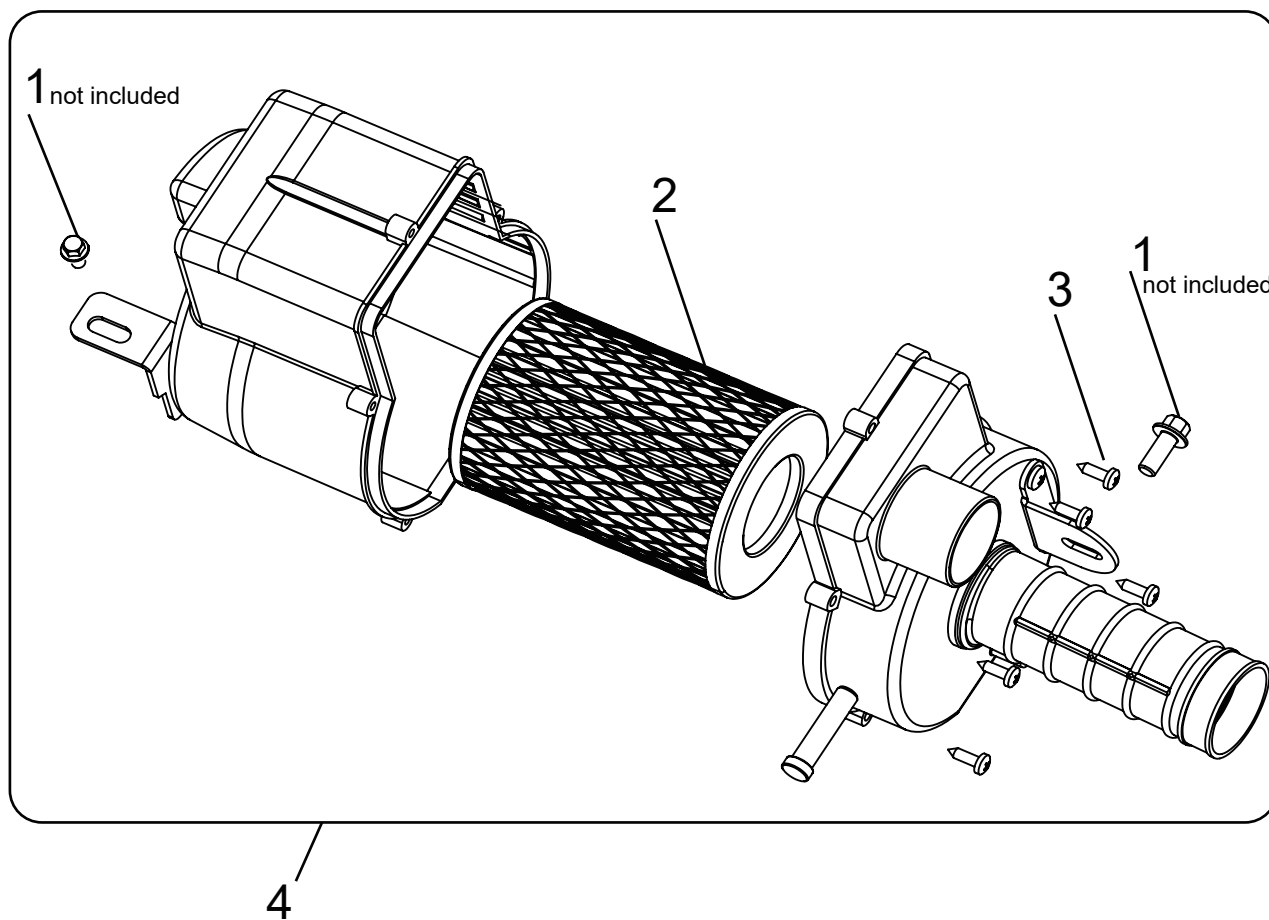
Oil Cooler Assembly			
<u>Ref #:</u>	<u>Part Number:</u>	<u>Description:</u>	<u>Quantity:</u>
1		Long Oil Hose	1
2		Short Oil Hose	1
4	8.010.149	Banjo Bolt	4
5	8.020.178	Crush Washer	8
6	7518955	Bolt m8x75 (9.108.075)	1
8	6.000.218	Oil Filter	1
9	H2520002	Oil Cooler Assembly	1

# EXHAUST



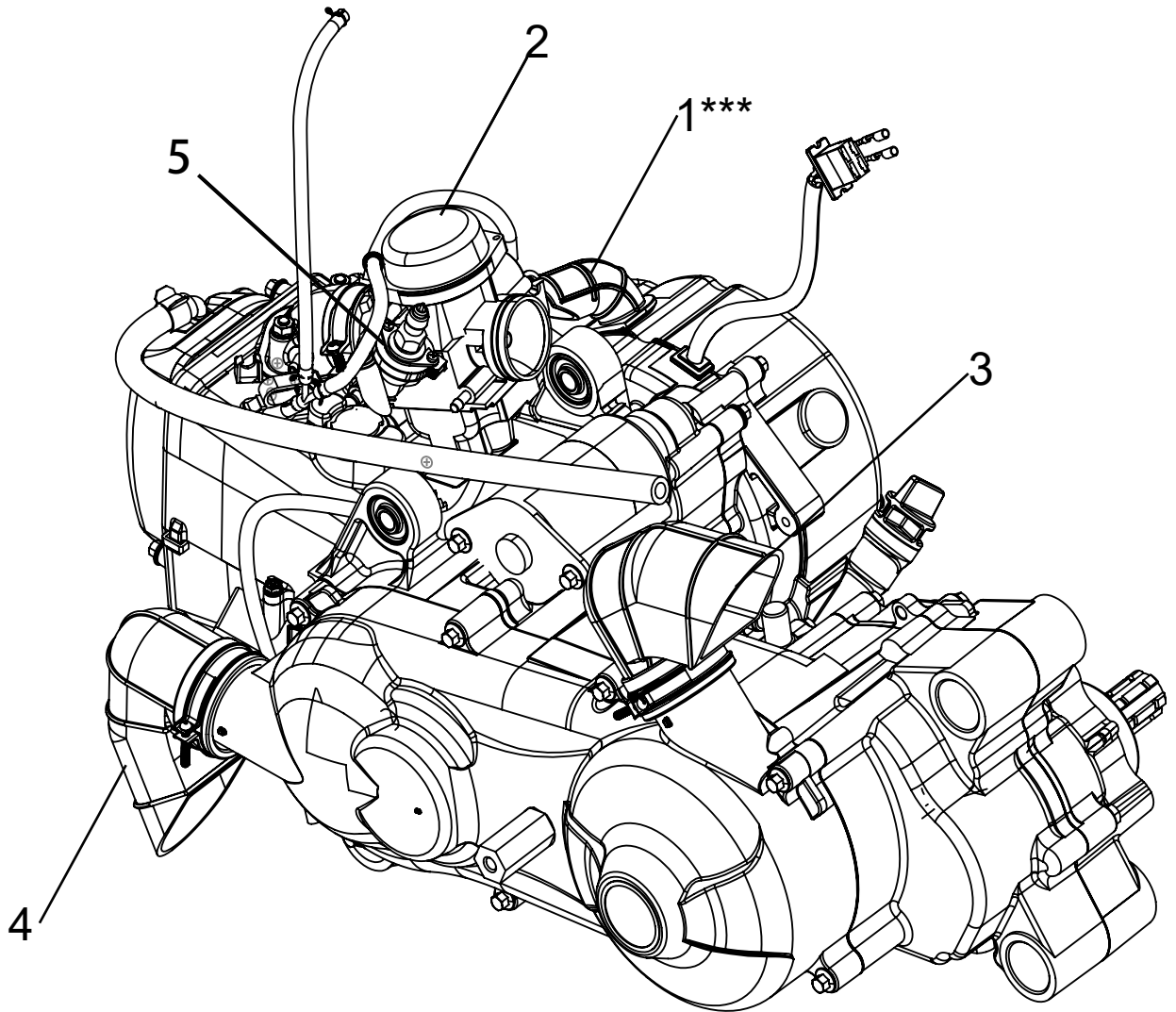
MODULE-EXHAUST			
Ref#	Part#	Description	Quantity
1	6.000.074	ASM-SILENCER,GTSLE (H1260001)	1
2	9.300.008	WASHER-RETANING,8.5X28X3 (7555982)	1
3	9.400.008	WASHER-LOCK M8X12.7ODX2MM ZY3 (7556111)	1
4	9.108.040	SCR-M8X1.25X40 HX/CP SS (7518258)	1
5	14762	AIR INJECTOR,GTS (201005003)	1
6	13-1605-01	GASKET-AIR INJECTOR,GTS (201005002)	1
7	9.400.006	WASHER-LOCK, 6 MM-Z (7552616)	2
8	M150-3050354	GASKET-EXHAUST SEAL (3050354)	1
9	9.106.012	SCR-HXFL-M6X1.0X12 8.8 ZOD (7519145)	2
10	9.040.027	Exhaust Nut	2

# AIR FILTER ASSM.



Air Filter Assembly			
Ref#	Part#	Description	Quantity
1	H7510112	Bolt m8x1.25x14 (H7510112)	2
2	6.000.151	Air Filter	1
3	003-050016-00	Pan Screw M5x16	5
4	13-1602-01	Air Filter Box Assembly	1

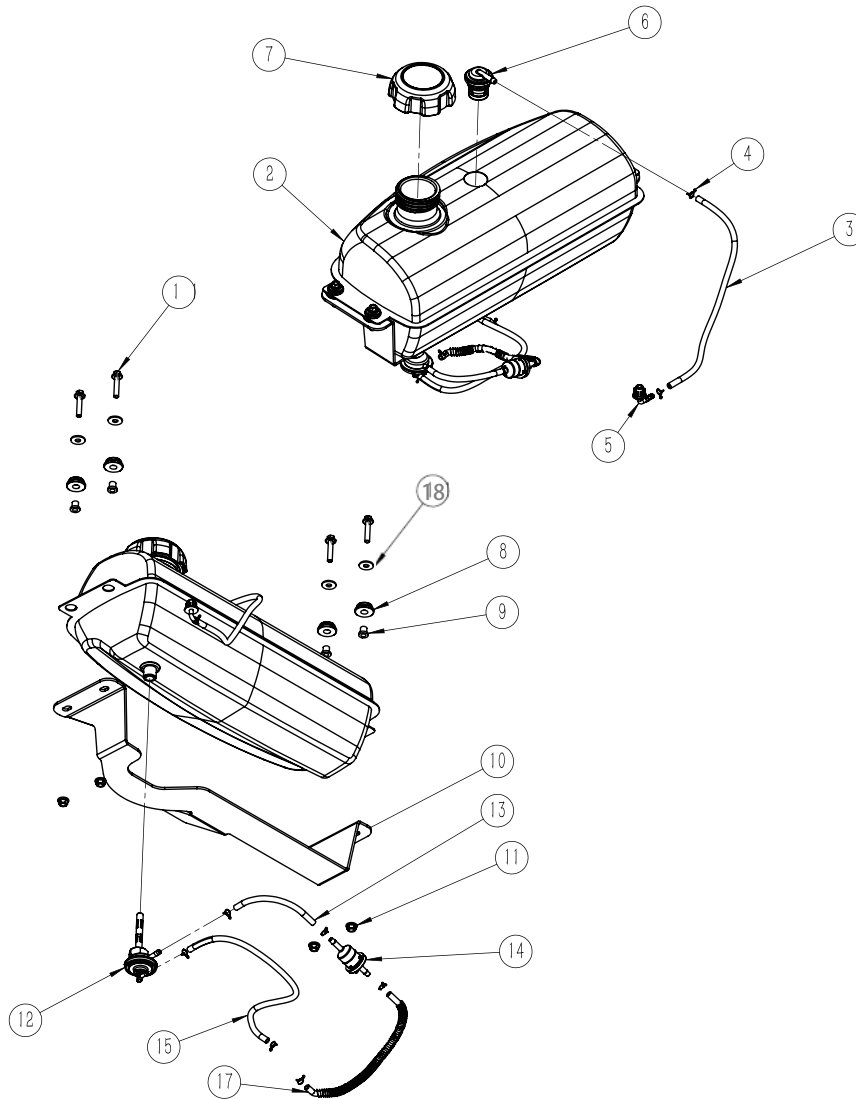
# ENGINE ASSEMBLY



Engine Assembly			
<u>Ref #:</u>	<u>Part Number:</u>	<u>Description:</u>	<u>Quantity:</u>
1***	006-JL150-03	150cc Engine Assembly w/oil holes (H1200011)	1
2	13-1601-00	CARBURETOR	1
3	14322	ASM., ASPRIATION CHANNEL, B	1
4	14322	ASM., ASPRIATION CHANNEL, A	1
5	13-1811-00	CHOKE CABLE HOUSING	1

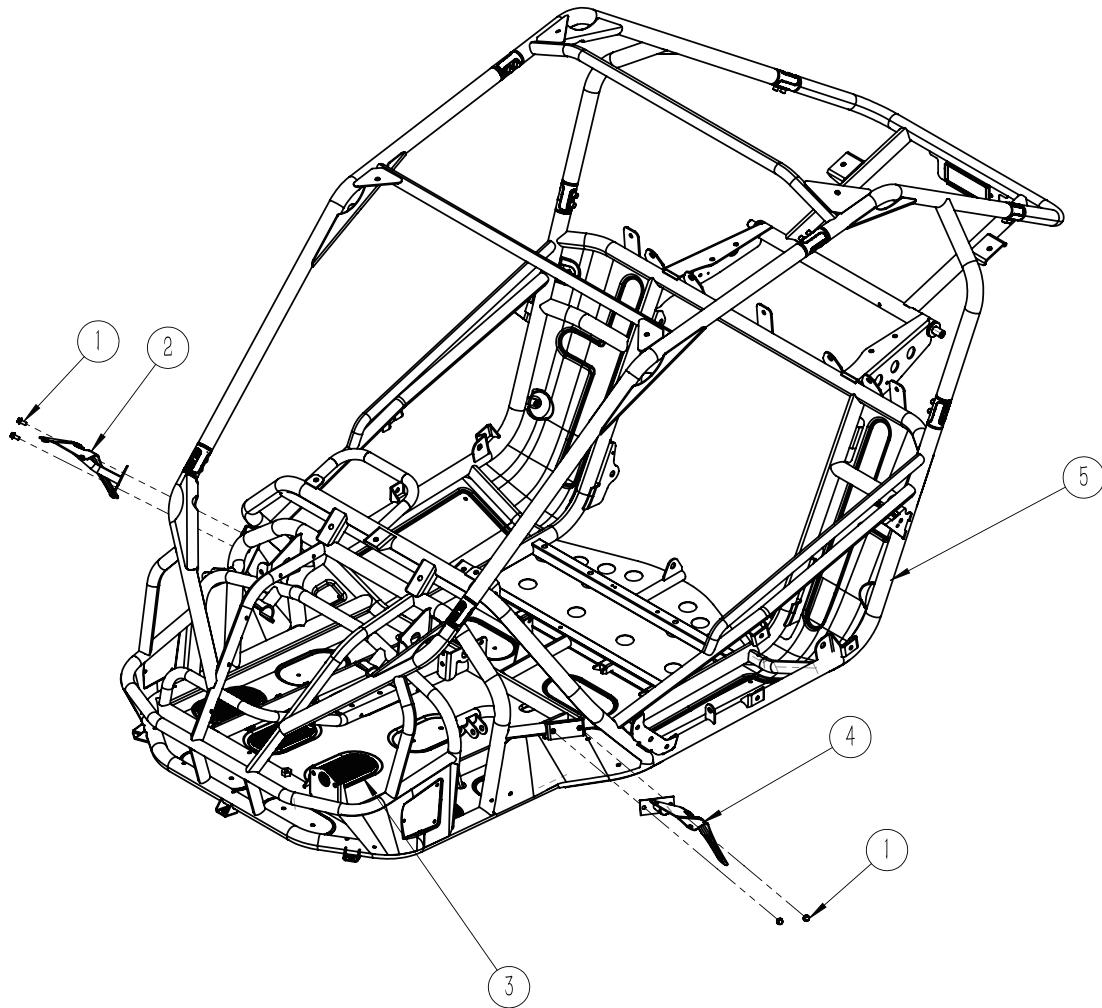
\*\*\*Engine does not include carb and vents indicated in drawing (2, 3, 4, 5)

# FUEL TANK



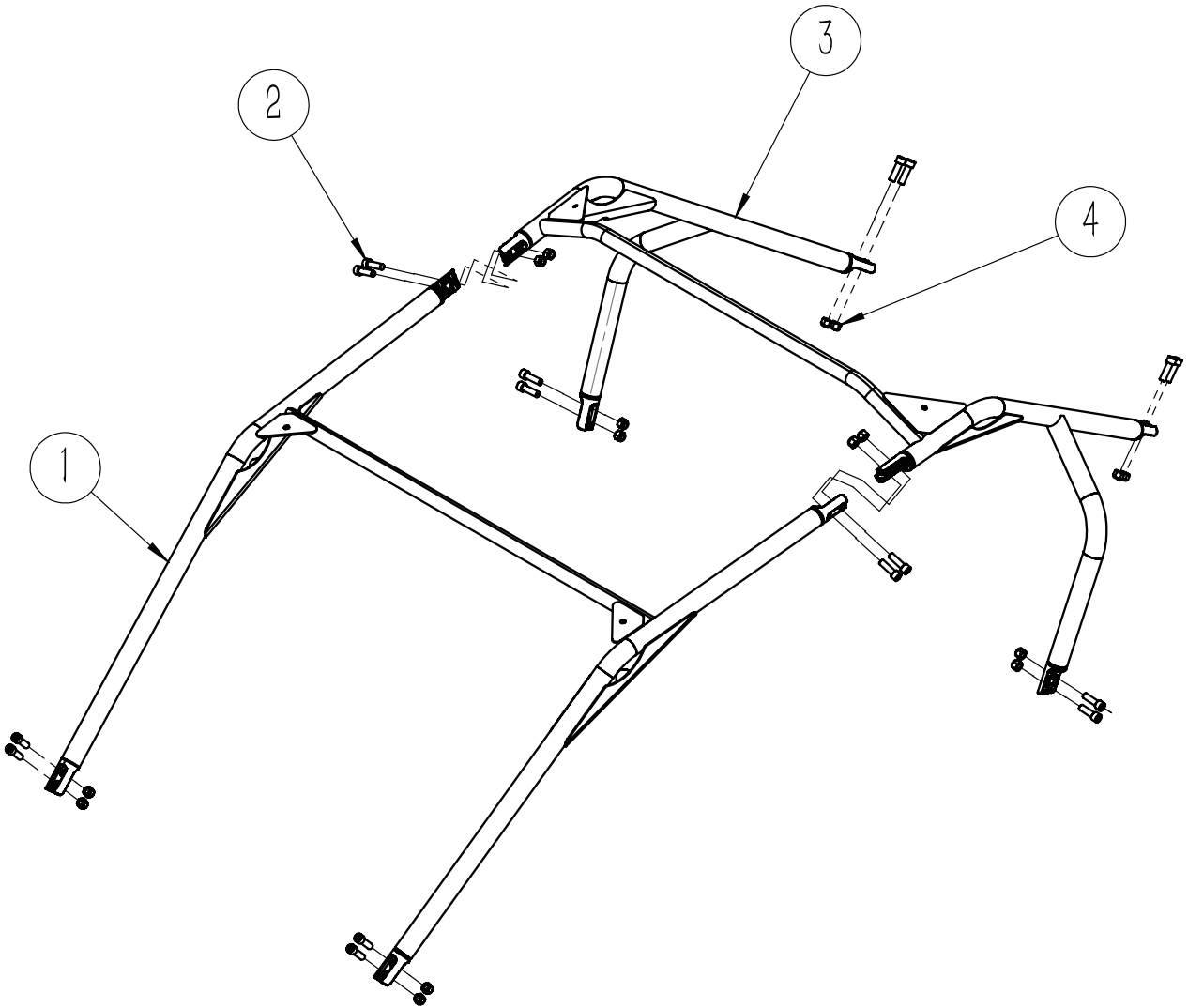
MODULE-FUEL,GTSLE			
Ref#	Part#	Description	Quantity
1	7518993	SCR-M6X1.0X30 8.8 HXFL ZOD	4
2	H2520001	FUEL TANK,LE	1
3	H8450001-360	FUEL LINE,360mm	1
4	H7080001	RETAINER-8.5mm	8
5	5455313	FITTING-VENT LINE,RND,90	1
6	201352001	ROV	1
7	201323003	CAP-GAS	1
8	7.020.011	WASHER-BUFFER (208037019)	4
9	8.010.035	BUSHING-FUEL TANK,LE (H5140002)	4
10	H5260071	BRKT-FUEL TANK,LE	1
11	7547274	NUT-M6 FLANGE,NYLOC	4
12	6.000.046	VACUUM SWITCH-GAS (201019004)	1
13	H8450001-150	FUEL LINE,150mm	1
14	6.000.056	FILTER-GAS (201019001)	1
15	H8450001-250	FUEL LINE,250mm	1
16	7081496	CLIP-ROUTING	2
17	H8450001-240	FUEL LINE,240mm	1
18	9.300.006	FLAT WASHER M6	4

# CHASSIS



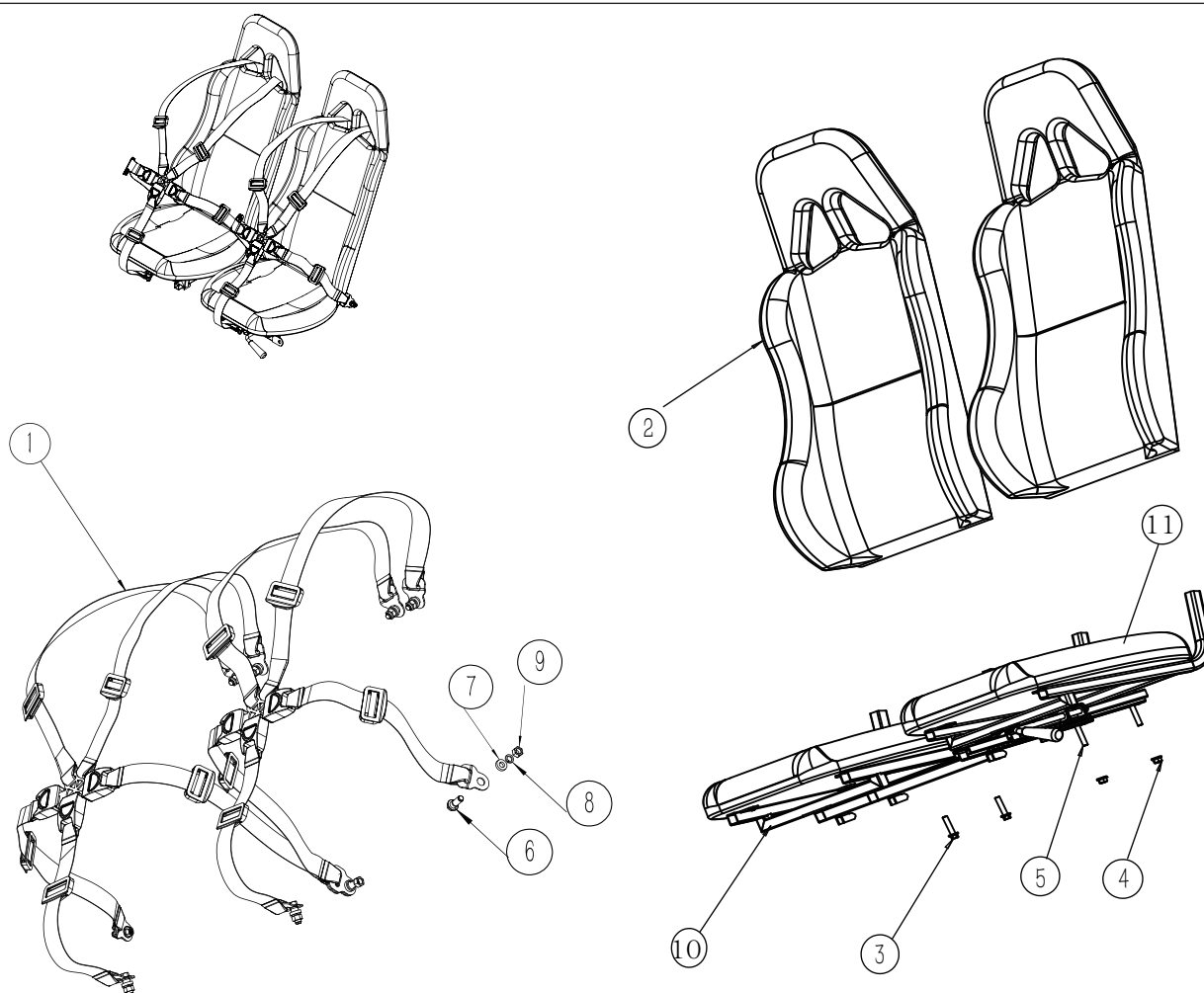
MODULE-CHASSIS,GTSLE			
Ref#	Part#	Description	Quantity
1	9.106.016	SCR-HXFL-M6X1.0X16 8.8 ZPB (7518591)	4
2	H1020022	WELD-FENDER MOUNT-FRONT,RH	1
3	7.020.012	PAD-FEET (208037055)	4
4	H1020021	WELD-FENDER MOUNT-FRONT,LH	1
5		Not Available (frame H1020005)	

# ROPS



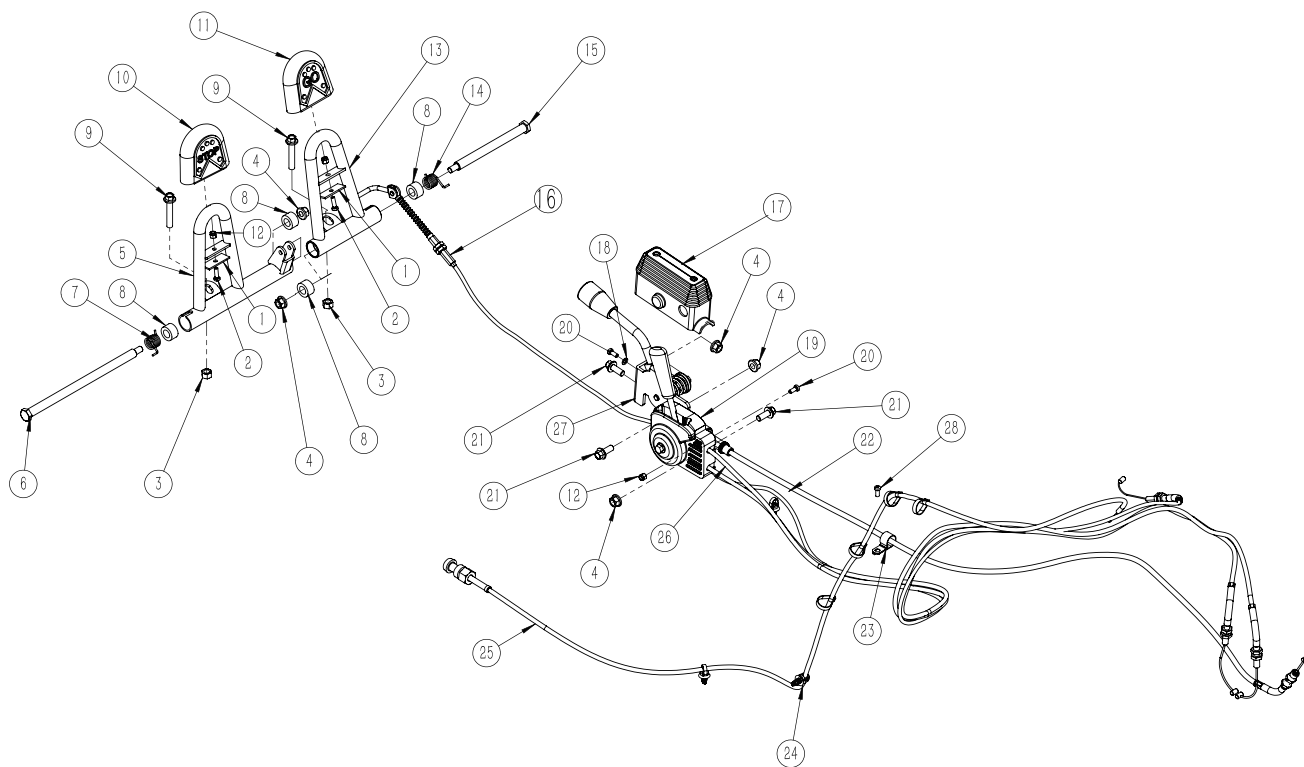
MODULE-ROPS			
Ref#	Part#	Description	Quantity
1	2850100	WELD-FRONT, ROPS	1
2	7517935	SCR-3/8-16X1-1/4HXOC CS ZY3	16
3	2850200	WELD-REAR, ROPS	1
4	7542451	NUT3/8-16HEX/NY LOC-Y	16

# SEATS & BELTS



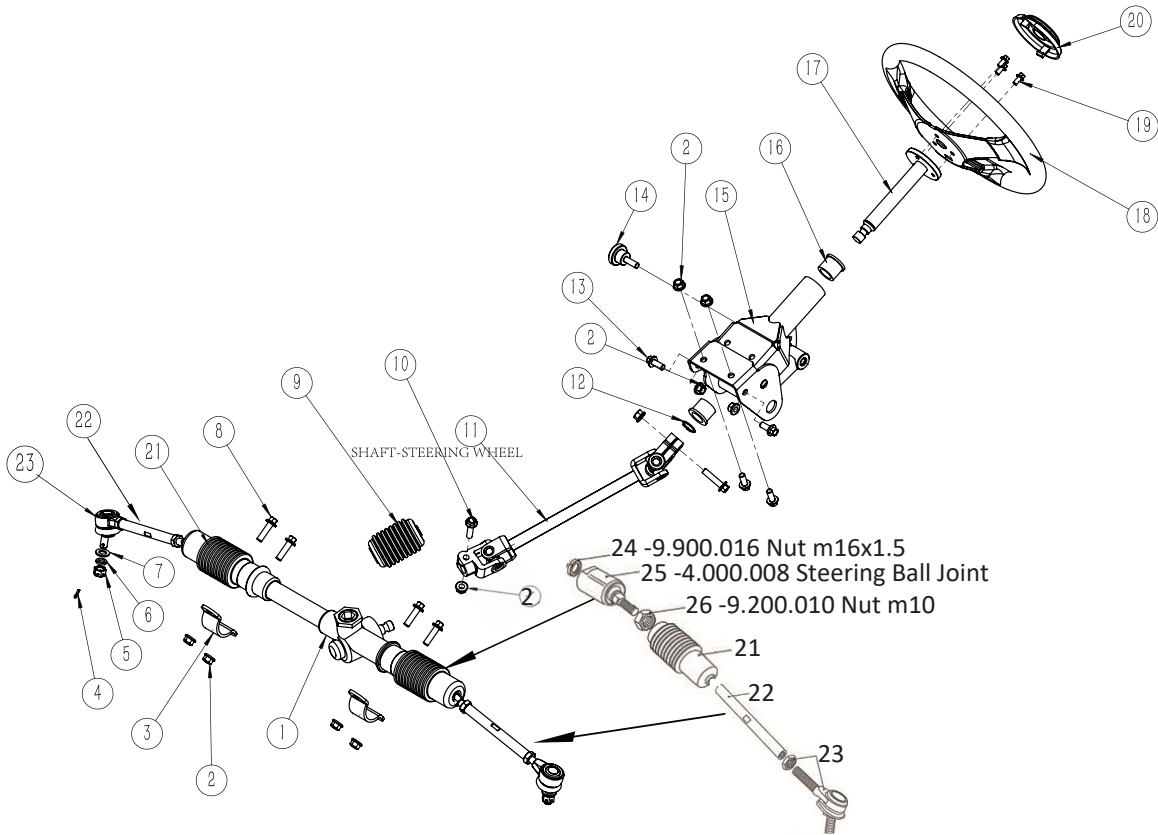
MODULE-SEAT,GTSLE			
Ref#	Part#	Description	Quantity
1	6.000.354	ASM-SEAT BELT,5PT,GTS (201011007)	1
2	13-0401-01	SEAT BACK,GTS	2
3	9.108.040	SCR-HXFL-M8X1.25X40 8.8 ZPB (7517881)	2
4	7547332	NUT-M8X1.25,FLG,NYLOC-OLIVE D	2
5	9.900.840	SCR-M8X1.25X40,DAC (H7510011) Seat Rail Bolt	2
6	9.700.001	Special Safety Belt Bolt 7/16-30	9
7	9.700.002	Special Safety Belt Washer 7/16	9
8	9.700.005	Special Safety Belt Lock Washer 7/16	9
9	9.700.003	Special Safety Belt Nut 7/16-30	9
10	13-0401-01R	Right Seat Bottom(Passenger)	1
11	13-0401-01L	Left Seat Bottom(Driver)	1

# CONTROLS & CABLES



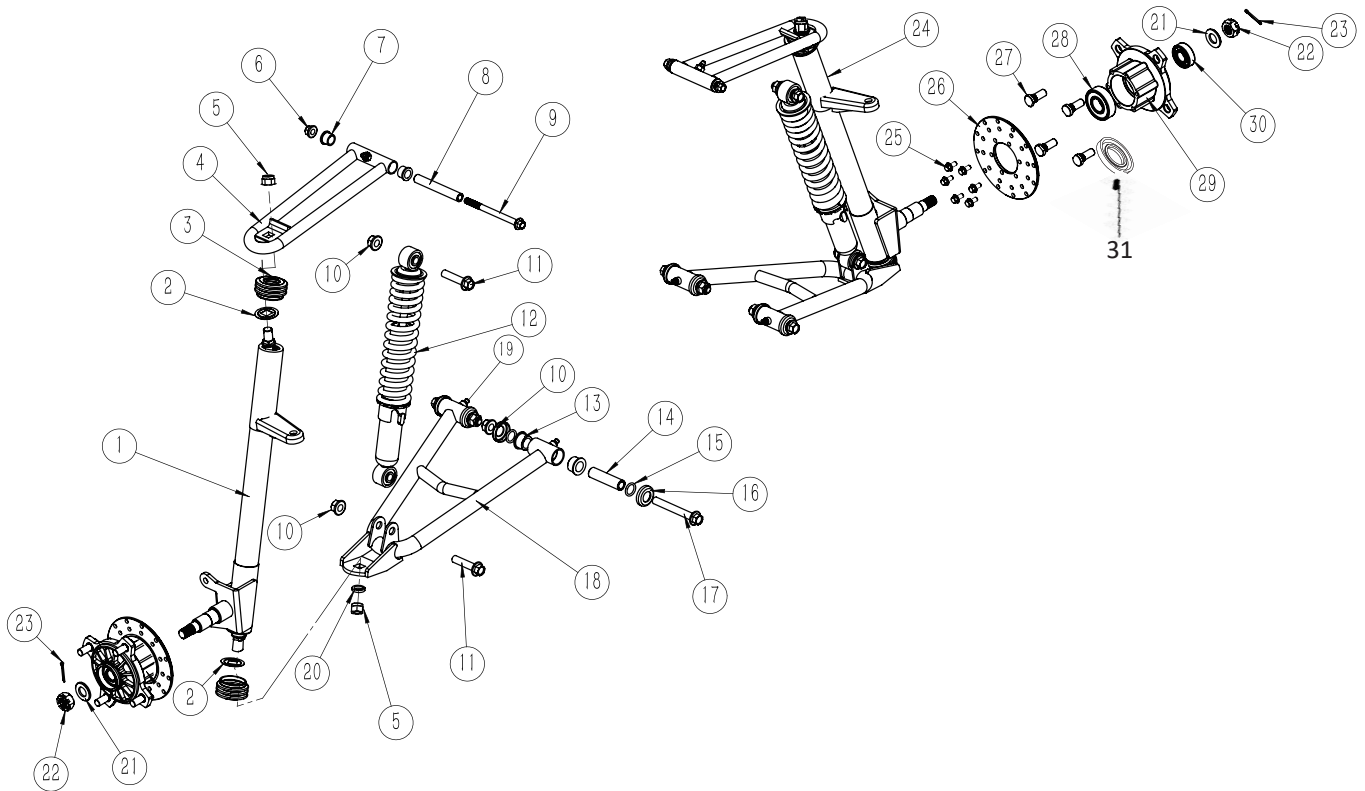
MODULE-CONTROLS,GTSLE							
Ref#	Part#	Description	Quantity	Ref#	Part#	Description	Quantity
1	H5260067	PLATE-PEDAL PAD	2	15	9.708.145	SCR-HX-M8X1.25X145 (205043001)	1
2	H7510039	SCR,M5X0.8X16,PHL,PAN,DAC	2	16	H7080035	CABLE-THROTTLE,GTS LE	1
3	9.200.008	NUT-HEX-M8X1.25 8 ZPB (7547076)	2	17	7.020.024	SEAL-PARKING BRAKE LEVER (H5410001)	1
4	7547332	NUT-M8X1.25,FLG,NYLOC-OLIVE D	5	18	9.300.005	WASHER,M5 FLAT DAC (H7550021)	1
5	4.000.015	WELD-BRAKE PEDAL (H1020003)	1	19	2010445	ASM-TRANS SHIFT LEVER	1
6	9.708.222	SCR-HX-M8X1.25X222 (205043007)	1	20	9.600.512	SCR-HXFL-M5X0.8X12 4.8 ZPC (7518796)	2
7	8.040.007	SPRING-BRAKE PEDAL (H7040002)	1	21	7519133	SCR-HXFL-M8X1.25X20 8.8 ZOD P3 (7519133)	3
8	7.010.004	BUSHING-PEDAL (209038045)	4	22	H7080004	CABLE-PARKING BRAKE	1
9	9.108.040	SCR-HXFL-M8X1.25X40 8.8 ZPB (7517881)	2	23	7081246	CLAMP-WIRE/TUBE .25 DIA	1
10	7.020.037	PAD-BRAKE PEDAL (208037179)	1	24	7081496	CLIP-ROUTING	3
11	7.020.036	PAD-THROTTLE PEDAL (208037178)	1	25	13-0705-00	CABLE-CHOKE,GTSLE (H7080005)	1
12	7546601	NUT-M5X0.8,HX NYL-Y	3	26	14456	CABLE-SHIFT,F/N/R,PULL,GTSLE (H7080002)	2
13	4.000.016	WELD-THROTTLE PEDAL,LE (H1020059)	1	27	7082256	ASM-PARKING BRAKE LEVER	1
14	8.040.001	SPRING-THROTTLE PEDAL,LH (H7040001)	1	28	7512084	SCR-10-24X12,PHTXTRIRD,SEMS-Y	1

# STEERING



MODULE-STEERING,GTSLE			
Ref#	Part#	Description	Quantity
1	4.000.008-250	Steering Gear (ball joints sold separately)	1
2	7547332	NUT-M8X1.25,FLG.NYLOC-OLIVE D 10	10
3	H5260000	BRKT-STEERING GEAR BOX	2
4	H7660001	PIN-Ø2.5X30 COTTER	2
5	9.800.010	NUT-M10X1.25,CAST (H7540031)	2
6	9.400.010	WASHER-LOCK,M10 (H7550027)	2
7	9.300.010	WASHER,M10 FLAT (H7550026)	2
8	9.108.030	SCR-HXFL-M8X1.25X30 10.9 ZP (7518884)	2
9	7.020.066	SEAL-STEERING SHAFT BOOT (20603606)	4
10	9.108.035	SCR-HXFL-M8X1.25X35 8.8 ZOD 2 (7519052)	1
11	H1820002	SHAFT-STEERING,GTSLE	2
12	9.700.120	CLIP-CIRCLIP,20MM (7710854)	1
13	9.108.025	SCR-HXFL-M8X1.25X25 8.8 ZOD (7518514)	1
14	7520541	BOLT-TILT STEERING LOCK (8.010.220)	4
15	1023578	ASM-STEERING SECTOR	1
16	5453650	BUSHING-STEERING SHAFT	2
17	1824580	SHAFT-STEERING WHEEL	2
18	1824579	WHEEL-STEERING,BLK	1
19	9.106.012	SCR-HXFL-M6X1.0X12 8.8 ZOD P30 3 (7519145)	3
20	H5450012	COVER-STEERING WHEEL,HH	1
21	7.020.002	Dust Cover	2
22	H1820016	Tie Rod (4.25" long)	2
23	6.000.062	Rod End	2

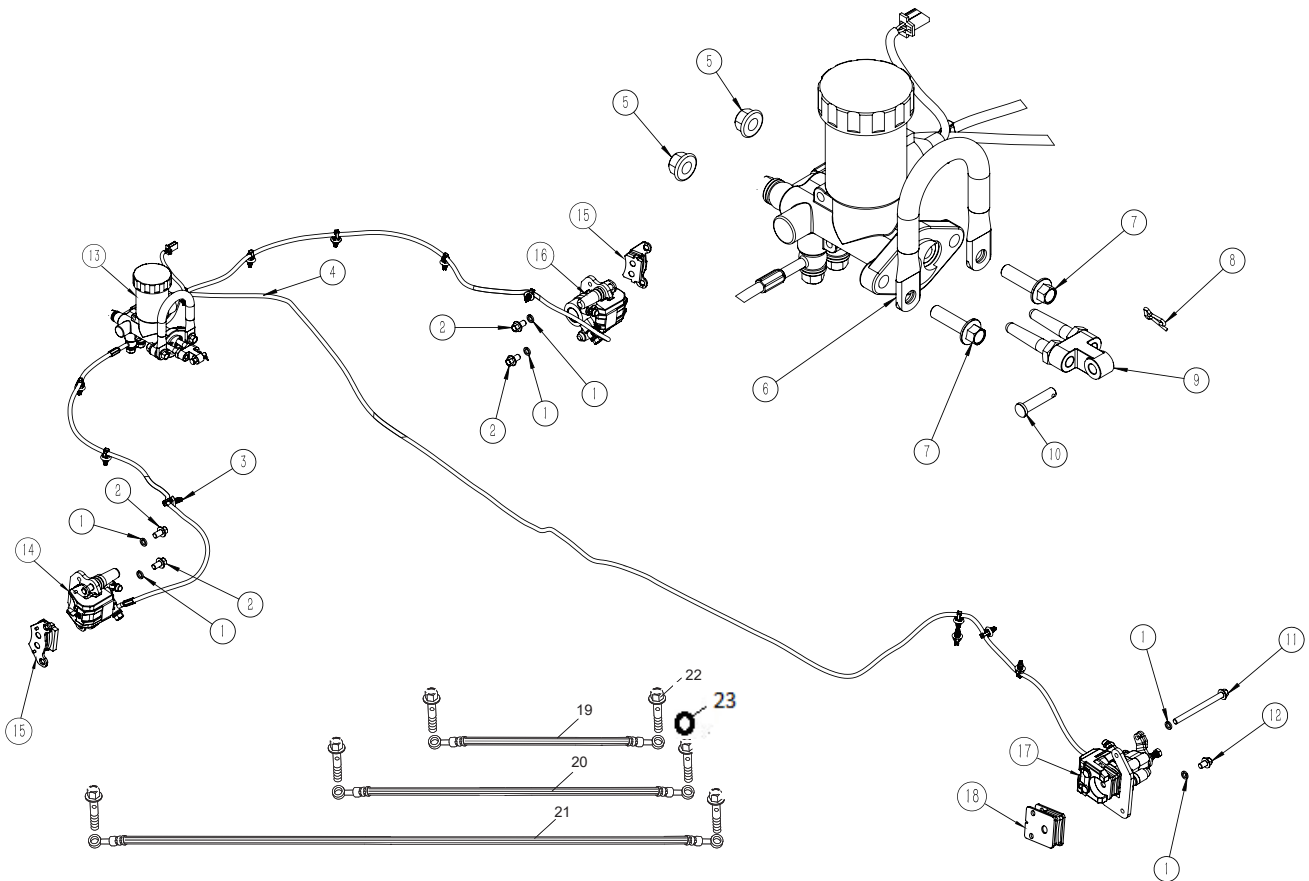
# FRONT SUSPENSION



**MODULE-SUSPENSION,FR,GTSLE**

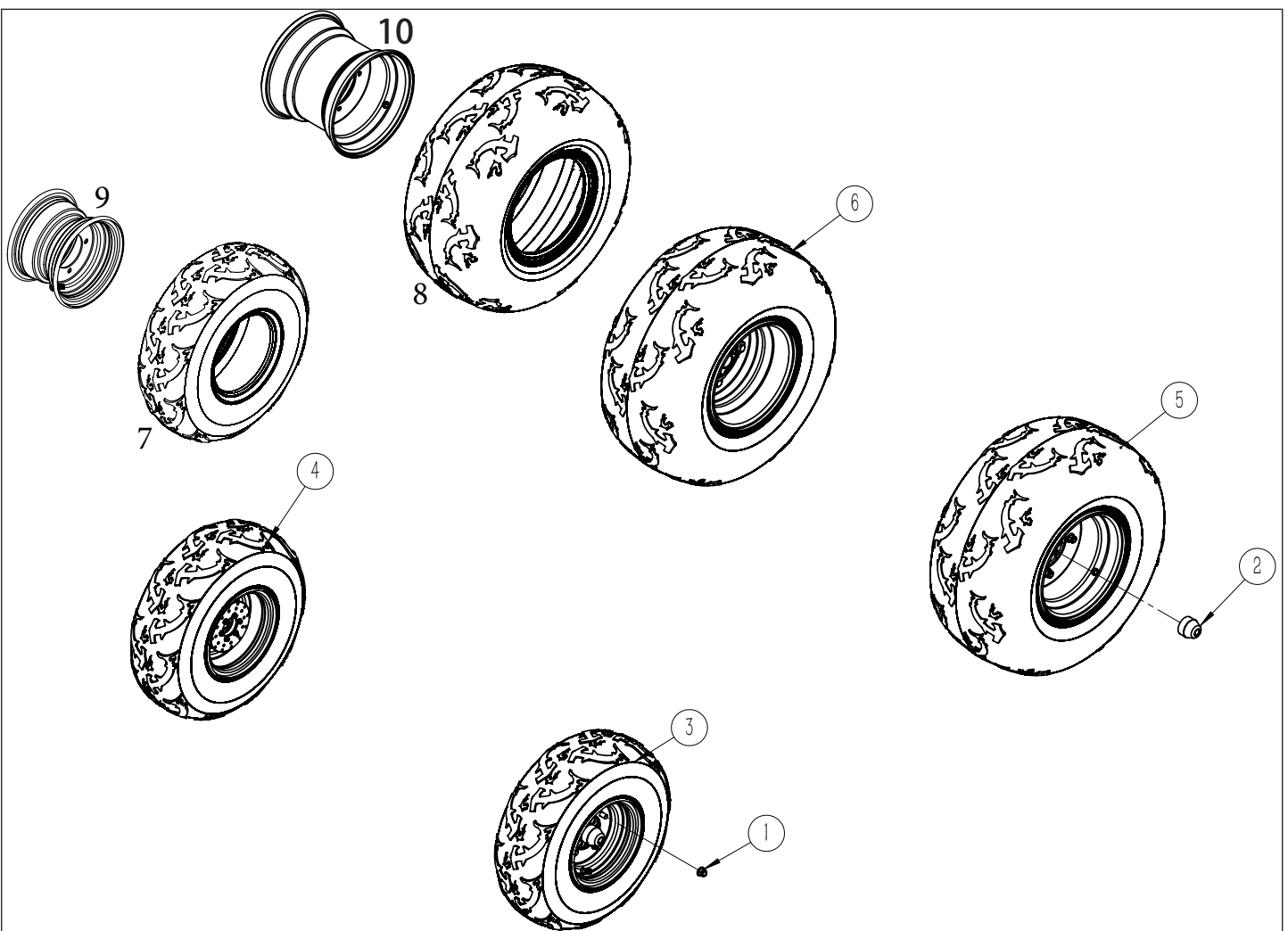
Ref#	Part#	Description	Quantity	Ref#	Part#	Description	Quantity
1	H1820005	ASM-STEERING SPINDLE,RH,GTSLE,BLACK	1	16	8.020.034	CAP-LWR SUSPENSION ARM,DUST (5415085)	8
2	8.020.053	SPACER-BALL HEAD,SPINDLE (7556996)	4	17	9.110.080	SCR-HXFL-M10X1.25X80 10.9 ZY3 (7519143)	4
3	7.020.025	SEAL-BALL HEAD,DUST,SPINDLE (5416087)	4	18	303044115	WELD-A-FRAME,LWR,FRT,GTS	2
4	1543783-458	WELD-A-FRAME,UPPER,FRT,BLK	2	19	7082290	FITTING-LUB,M6X1-STR/1792-Y	6
5	7547796	NUT-HEX,M12X1.25 8ZPC NYL	4	20	7556212	WASHER-7/16 SAE,STF,THRU-HRD-Y	4
6	7547332	NUT-M8X1.25,FLG,NYLOC-OLIWVE D	2	21	7556336	WASHER-.560X1.10X.110-Y	2
7	7.010.003	BUSHING-UPPER SUSPENSION ARM (5453553)	4	22	9.800.014	NUT-M14X1.5,CASTLE (7547859)	2
8	8.010.015	COLLAR-UPPER SUSPENSION ARM (7556998)	2	23	7661203	PIN-3/32X1-COTTER-Y	2
9	7517409	SCR-HXFL-M8X1.25X110 10.9 ZPC	2	24	H1820004	ASM-STEERING SPINDLE,LH,GTSLE,BLACK	1
10	7547313	NUT-M10X1.25,HXFLG, NYLON INS	6	25	H7510035	SCR-HEX-M6X1.0X12,DA	12
11	9.110.045	SCR-HXPL-M10X1.25X45 10.9 RIE (7519905)	4	26	8.010.054	DISC-BRAKE,FRONT,GTSLE (H1910002)	2
12	6.000.325	ASM-SHOCK,FR,GTS (201023009)	2	27	7520745	STUD-M10X1.25X35.5	8
13	7.010.002	BUSHING-LWR SUSPENSION ARM (5453651)	8	28	9.030.002	BEARING-WHEEL,6204-RS (3514993)	2
14	8.010.014	COLLAR-LWR SUSPENSION ARM (7556999)	4	29	8.010.085b	HUB-WHEEL,FRONT (5140868)	2
15	9.040.001	SEAL-O-RING,15X2 (5416086)	8	30	9.030.010	BEARING-WHEEL,6202-RS (3514994)	2
				31	9.040.002	Dust Seal 47x25x7	2

# BRAKES



MODULE-BRAKES,GTSLE			
Ref#	Part#	Description	Quantity
1	9.400.008	LOCK WSHR-8.4X14.0X1.6 ZB (7556353)	6
2	9.908.014	SCR-HH-M8X1.25X14 8.8 ZPC (7519160)	4
3	7670102	CLIP-SILENCER BOX-C,98 INDY	13
4	H1910001	ASM-BRAKE SYSTEM,GTSLE (COMPLETE KIT)	1
5	7547332	NUT-M8X1.25,FLG,NYLOC-OLIVE D	2
6	8.070.044	BRKT-BRAKR CYLINDER (303044022)	1
7	9.108.035	SCR-HXFL-M8X1.25X35 10.9 ZPB (H7510111)	2
8	7661140	PIN-CLIP,14M	1
9	205043044	CAST-COUPLER,BRAKE,PUSH ROD,GTS	1
10	9.700.624	ROD-BRAKE,PUSH,6X28,DAC (H7660004)	1
11	9.108.100	SCR-M8X1.25X100-HX-SS P30 (H7510114)	1
12	7520700	SCR-HH-M8X1.25X12-SS ZPC	1
13	6.000.076	Brake Master Cylinder Assembly	1
14	6.000.028	Left Front Brake Caliper	1
15	7.020.016	Front Brake Pad Set	2
16	6.000.095	Right Front Brake Caliper	1
17	6.000.229	Rear Brake Caliper	1
18	7.020.022	Rear Brake Pad Set	1
19	6.000.089	Left Front Brake Line 34"	1
20	6.000.090	Right Front Brake Line 43"	1
21	6.000.091	Rear Brake Line 75"	1
22	9.700.004	Brake Line Banjo Bolt, m10x24	6
23	13-1422-00	Banjo Bolt Crush Washer/Seal m10	12

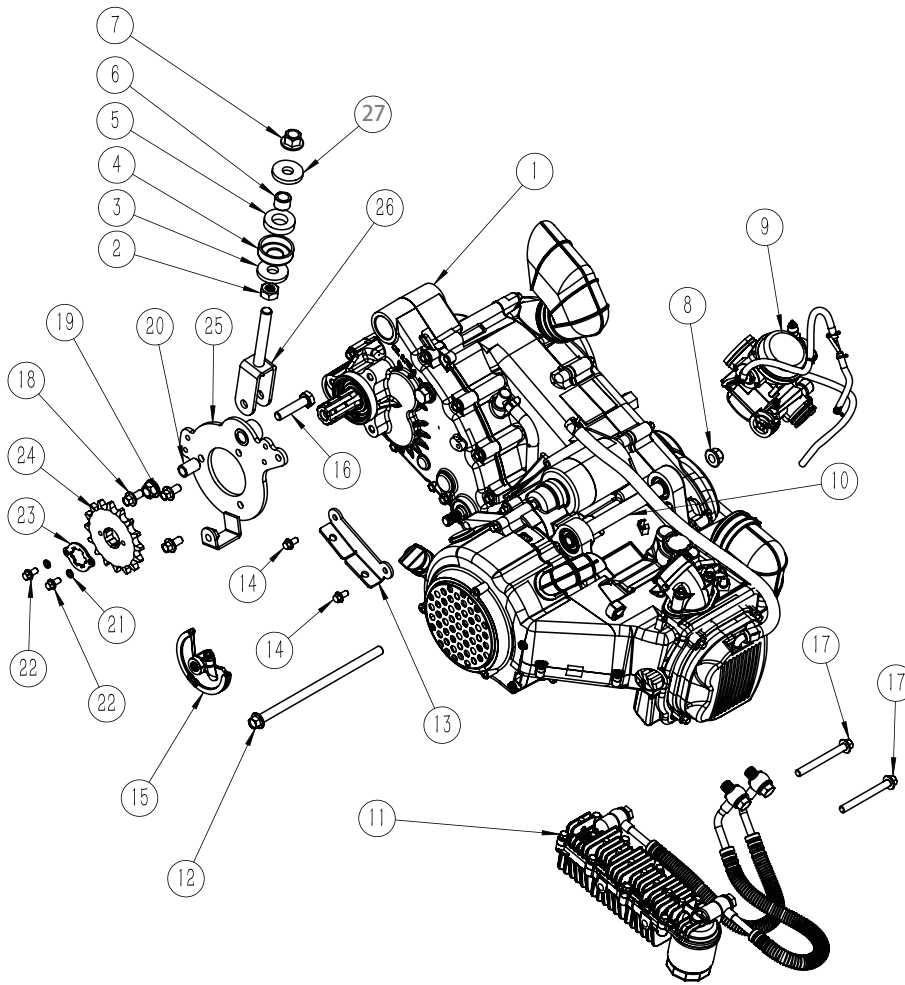
# WHEELS & TIRES



## MODULE-RUNNING GEAR

Ref#	Part#	Description	Quantity
1	8.010.118	NUT-M10X1.25X15 (303044057)	16
2	7.020.039	COVER-FRONT HUB (5416088)	4
3	24-0901-01	ASM-WHEEL, FRONT, LEFT (H1520003)	1
4	24-0903-01	ASM-WHEEL, FRONT, RIGHT (H1520004)	1
5	24-0902-01	ASM-WHEEL, REAR, LEFT (H1520005)	1
6	24-0904-01	ASM-WHEEL, REAR, RIGHT (H1520006)	1
7	001-190708-01	FRONT TIRE-19X7-8,CU909 (201282011)	2
8	001-221010-01	REAR TIRE-22X10-10,CU909 (201282012)	2
9	6.000.142B	RIM-FRONT,8X5.5,CAST ALUM (201339007)	2
10	6.000.143B	RIM-REAR,10X10,CAST ALUM (201339008)	2

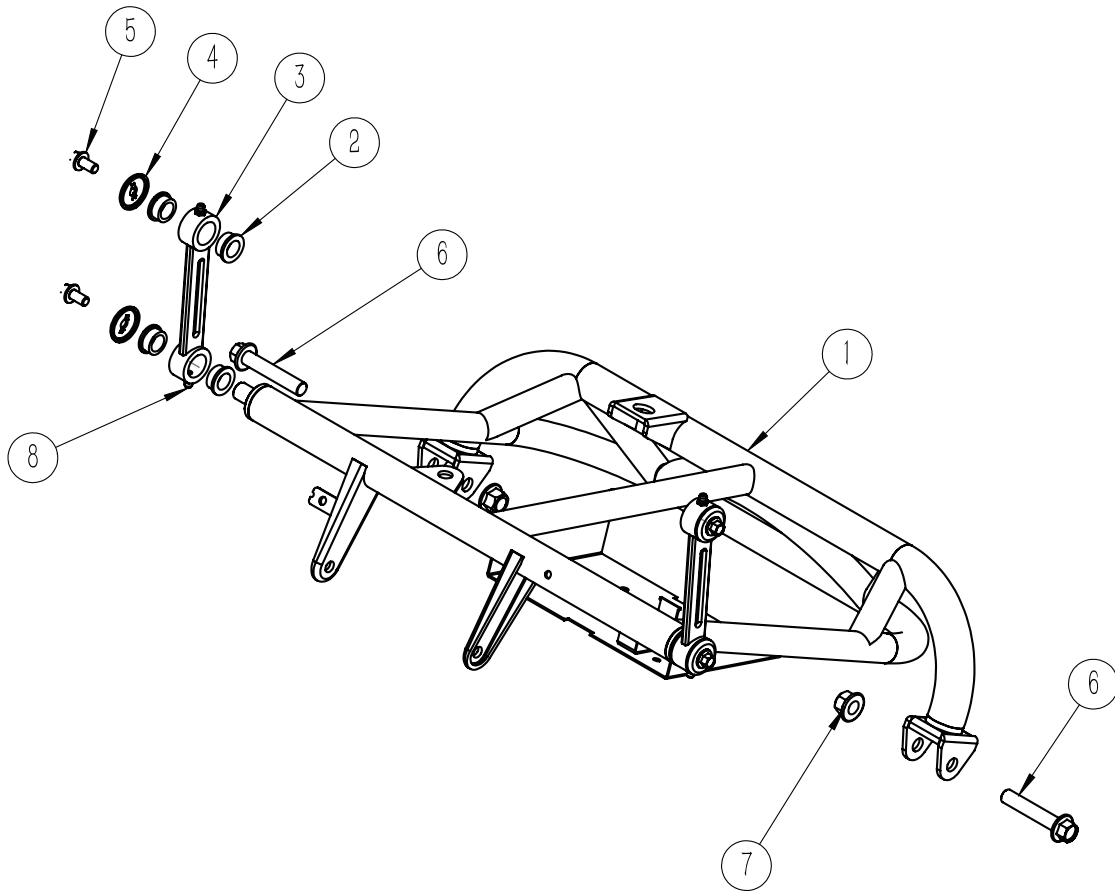
# ENGINE,150,18



**MODULE-ENGINE,150,18**

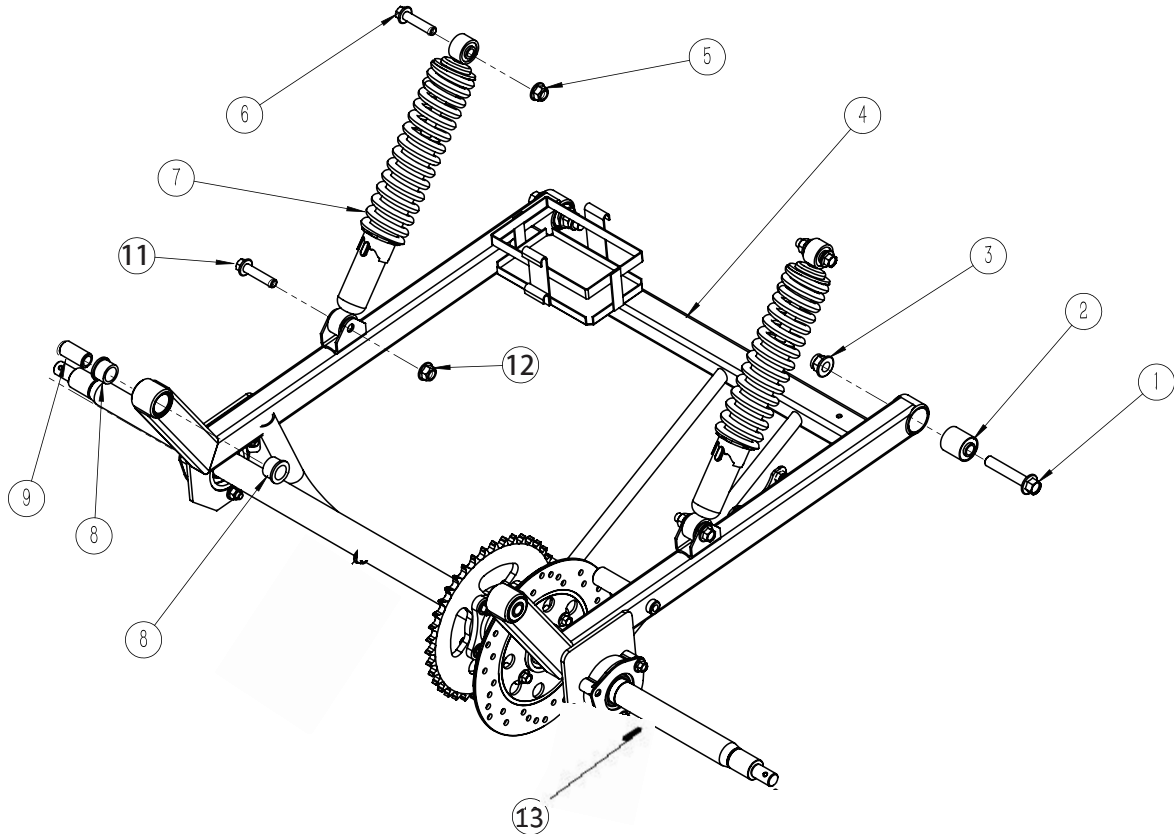
Ref#	Part#	Description	Quantity	Ref#	Part#	Description	Quantity
1	006-ji150-03	ASM-ENG 150,LE (H1200009)	1	14	9.106.012	SCR-HXFL-M6X1.0X12 8.8 ZOD P30 (7519145)	2
2	9.200.012	NUT-M12X1.25,HXFL,ZINC CLEAR (7547345)	2	15	14750	DISC-SHIFT CONTROLS (5633732)	1
3	9.300.012	WASHER,M12 FLAT DAC (7557000)	1	16	9.110.045	SCR-HH-M10X1.5X45 8.8 ZY3 (7521136)	1
4	8.020.045	BUSHING-ENGINER ADJ ISOLATOR (7557001)	1	17	9.108.075	SCR-M8X1.25X75 8.8 HX/FL ZOD (7518955)	2
5	7.020.001	BUSHING-ENGINER ADJ ISOLATOR (5416112)	1	18	9.108.016	SCR-HH-M8X1.25X16 8.8 HX/FL ZOD (7519124)	3
6	8.010.041	SPACER-ENGINE ADJ ALIGNMENT (7557002)	1	19	7547313	NUT-M10X1.5,HXFLG,NYLON INS	1
7	7547796	nNUT-HEX,M12X1.25 8ZPC NYL	1	20	8.010.076	COLLAR-ENGINER HANGER PLATE,LE (303044165)	1
8	7547333	NUT-M10X1.25,FLG,NYLOC-OLIVE D	1	21	9.400.006	WASHER-LOCK,6mm-Z (7552616)	2
9	13-1601-00	CARBURETOR,PD24JB05B,GTS (20100200)	1	22	7517257	SCR-HXFL-M6X1.0X12 10.9 ZPC	2
10	8.010.025	SPANNER-ENGINE MOUNT 303044174()	1	23	14218	KEEPER-SPROCKET (7710855)	1
11	H2520002	ASM-OIL COOLER,LE	1	24	14217	SPROCKET-DRIVE,50P,16T (3222266)	1
12	9.110.195	BOLT-M10X1.25X195 HHCS DAC (7520546)	1	25	14480	WELD-BRKT,ENGINE HANGER,GTS (H1020057)	1
13	14473	BRKT-SHIFT CABLES (5263501)	1	26	205043043	WELD-BRKT,CHAIN TENSIONING,GTS	1
				27	8.010.042	WASHER, ENGINE MOUNT LINK	1

# REAR UPPER SWINGARM



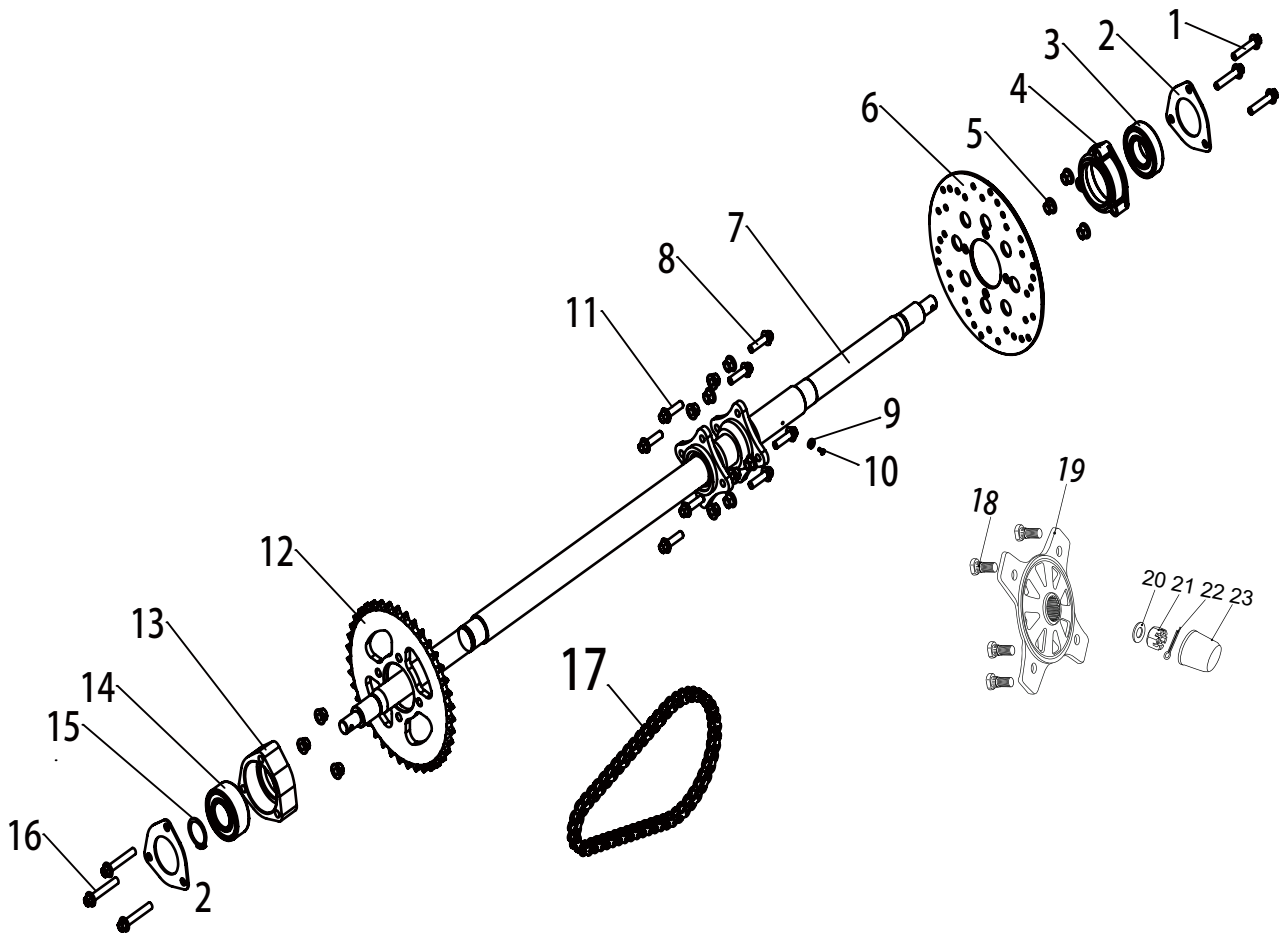
Upper Swingarm			
Ref#	Part#	Description	Quantity
1	207046017	Upper Swingarm	1
2	7.010.008	Bushing (209038012)	8
3	8.030.001	Swingarm Dong Bone (205043045)	2
4	8.020.013	Washer Plate (H5260066)	4
5	9.108.014	BOL-M8X1.25X14,HXHDFLG,W/PTCH (H7510112)	4
6	7519264	SCR-HXFL-M12X1.75X65 ZOD P80	2
7	7547441	NUT-HXFL M12X1.75 8 ZOD NYL	2
8	7082290	FITTING-LUB,M6X1-STR/1792-Y	4

# REAR LOWER SWINGARM



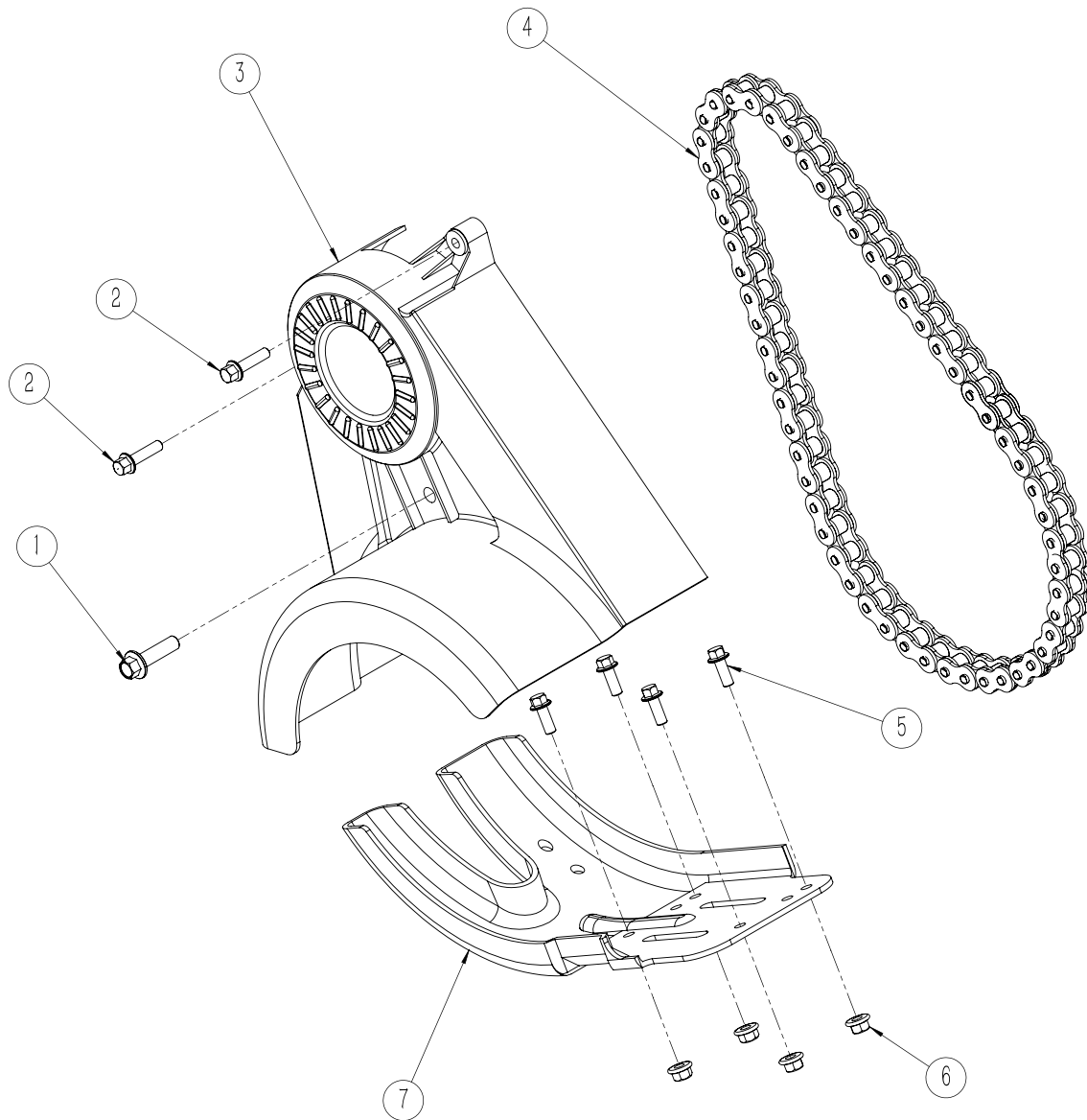
MODULE-SUSPENSION,RR,GTSLE			
Ref#	Part#	Description	Quantity
1	7519264	SCR-HXFL-M12X1.75X65 ZOD P80	2
2	7.020.008	BUSHING-SWINGARM PIVOT (5416101)	2
3	7547441	NUT-HXFL M12X1.75 8 ZOD NYL	2
4	H1020058	WELD-REAR SWINGARM,LOWER,LE	1
5	7547313	NUT-M10X1.5,HXFLG,NYLON INS	4
6	9.110.045	SCR-HXFL-M10X1.5X45 10.9 RIE (7519906)	4
7	201023010	ASM-SHOCK,RR,GTS	2
8	7.010.006	BUSHING REAR SWINGARM (209038013)	4
9	8.010.028	COLLAR-REAR SWINGARM (303044135)	2
10	7518954	SCR-M8x1.25x40 10.9 HX/FL ZOD	3
11	9.110.040	M10X1.25X40 8.8 (H7510074)	2
12	9.220.010	LOCK NUT M10X1.25 (H7540003)	2
13	H1590003	Rear Axle 45" (bare axle)	1

# REAR AXLE ASSEMBLY



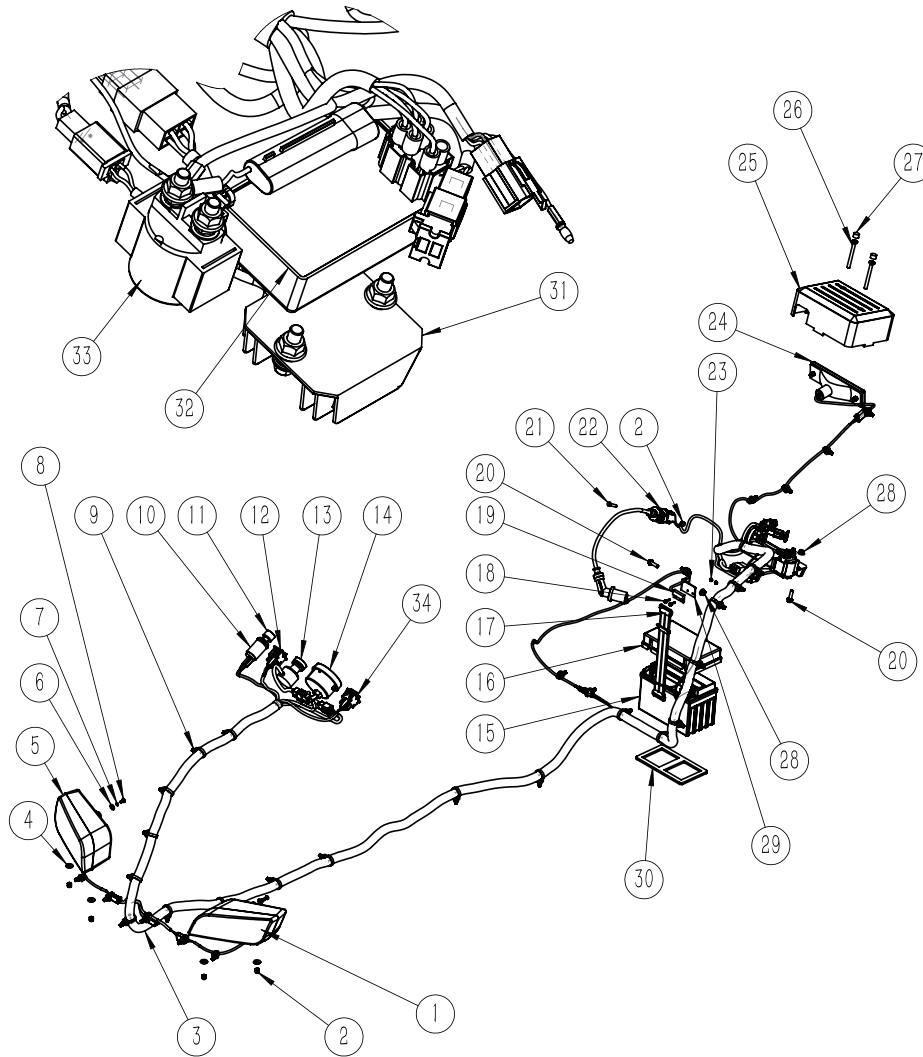
Rear Axle Assembly			
Ref #:	Part Number:	Description:	Quantity:
1	9.108.040	Flange Bolt m8x1.25x40	3
2	13-1519-01	Cover, Bearing Housing Base	2
3	010-62062-01	Sealed Bearing 6206-2RZ	1
4	8.030.033	Bearing Housing, Right Side Axle	1
5	9.220.008	Lock Nut M8	14
6	8.010.053	Brake Disc	1
7	H1590003	Rear Axle	1
8	9.108.022	Bolt M8x22	4
9	7.050.001	Magnet	1
10	9.600.308	Pan Screw M6x8	1
11	9.108.027	Bolt M8x27	4
12	13-1110-00	Axle Sprocket 39T	1
13	13-1518-01	Bearing Housing, Left Side Axle	1
14	010-32062-01	Sealed Bearing 3206-2RZ	1
15	016-30020-01	Circlip 30x2.0, Axle Bearing	1
16	9.108.050	Flange Bolt m8x1.25x50	3
17	201285008	Axle Drive Chain 530x56	1
18	7520745	Wheel Stud m10x1.25x35.5	8
19	8.010.89B	Rear Axle Hub - black	2
20	9.700.016	WASHER 16	2
21	9.800.016	CASTLE NUT. M16	2
22	9.500.430	COTTER PIN. 4X30	2
23	7.020.039	COVER. RR. HUB	2

# DRIVE CHAIN & COVERS



MODULE-DRIVELINE			
Ref#	Part#	Description	Quantity
1	9.108.030	SCR-HXFL-M8X1.25X30 10.9 ZPB (7518884)	1
2	9.106.025	SCR-M6X1.0X25-HX/FL-Y/D (7516823)	2
3	14188	GUARD-CHAIN,PLASTIC,UPPER,GTS (209038014)	1
4	201285008	CHAIN-530X56P INC ML	1
5	9.106.020	SCR-M6X1.0X20-HX/FL-Y/D (7516822)	4
6	7547274	NUT-M6 FLANGE,NYLOC	4
7	14185	GUARD-CHAIN,PLASTIC,LOWER,GTS (209038048)	1

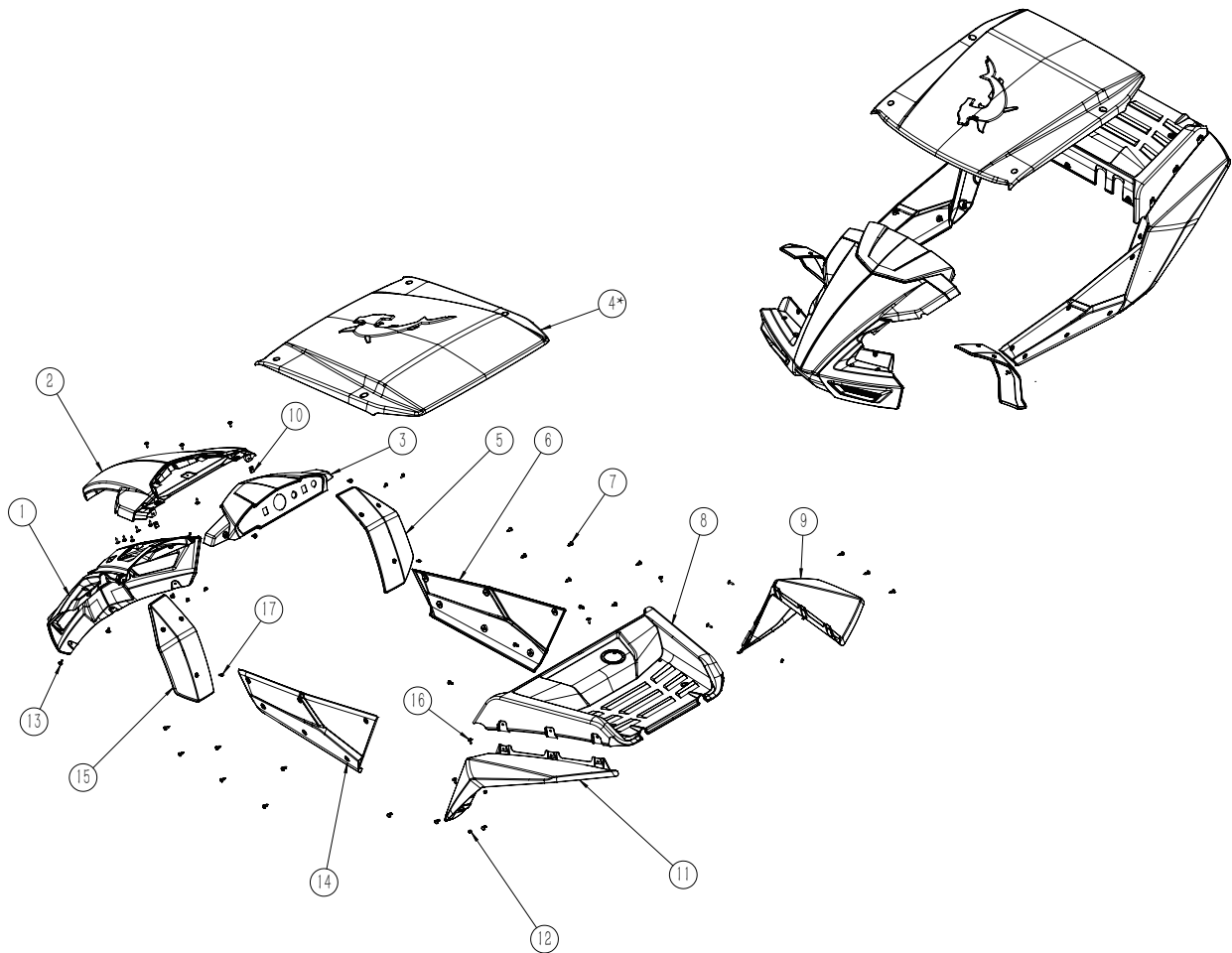
# ELECTRICAL



**MODULE-ELECTRICAL,YRC,GTSLE**

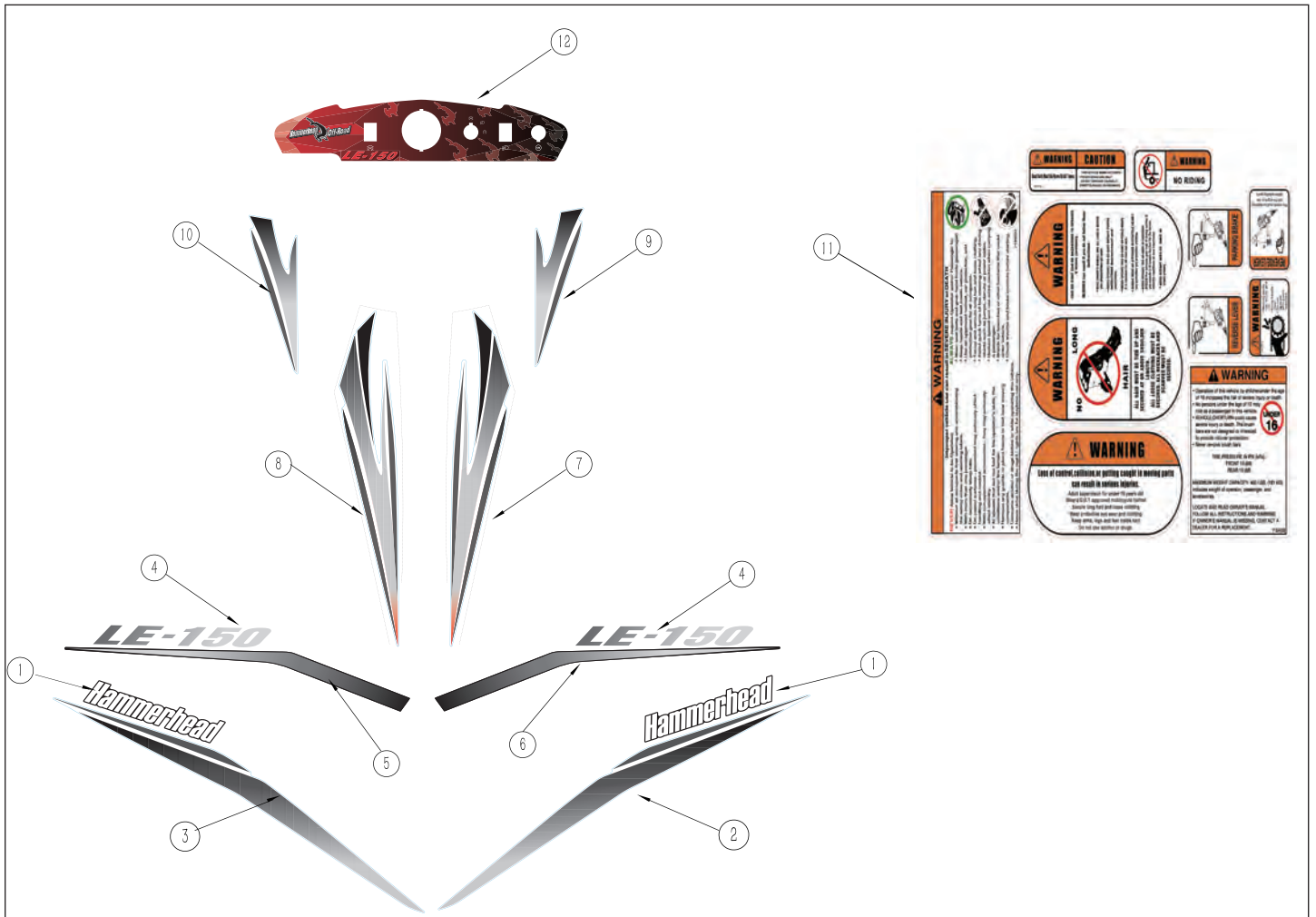
Ref#	Part#	Description	Quantity	Ref#	Part#	Description	Quantity
1	H2410001	ASM-HEADLIGHT,LH,GTSLE	1	18	H7510045	SCR-HXFL-M3x0.5x10,DAC	2
2	7546601	NUT-M5X0.8,HX NYL-Y	5	19	H2410005	SENSOR-SPEEDOMETER	1
3	H2410003	HARNESS-CHASSIS,GTSLE	1	20	9.106.020	SCR-M6X1.0X20-HX/FL-Y/D (7516822)	3
4	9.300.005	WASHER-FLAT-Φ5,DAC (H7550021)	4	21	H7510021	SCR-HXBH-M5x0.8x25,DAC	1
5	H2410002	ASM-HEADLIGHT,RH,GTSLE	1	22	6.000.126	COIL-IGNITION (201015001)	1
6	H7550025	WASHER-FLAT-Φ4,DAC	2	23	H7540023	NUT-HEX-M3x0.5,DAC	2
7	H7550016	WASHER-LOCK-Φ4,DAC	2	24	201029004	ASM-TAILLIGHT,GTS	1
8	H7510054	SCR-HXBH-M4x0.7x8,DAC	2	25	7.010.029	COVER-ELECTRICAL,PLASTIC (5453537)	1
9	7081496	CLIP-ROUTING	29	26	9.106.065	SCR-M6X1.0X65MM,BTNHTXCS (7519019)	2
10	6.000.087	CAR CIGARETTE LIGHTER (201025001)	1	27	7.010.061	PLUG-ELECTRICAL COVER (545568)	2
11	7.020.051	CAR CIGARETTE LIGHTER PLUG (208037027)	1	28	7547274	NUT-M6 FLANGE,NYLOC	3
12	201018001	ROCKER SWITCH,KCD14,RED (kill switch)	1	29	8.020.197	BRKT-MNT,SPEED SENSOR (H5260065)	1
13	6.000.158	SWITCH-KEY (201017003)	1	30	7.020.020	GASKET-BATTERY CAP (5416089)	1
14	13-0305-00	SPEEDOMETER,GTS (H3280001)	1	31	6.000.124-GTS	REGULATOR (201015005)	1
15	6.000.055	BATTERY-SEALED,9AH,12V (201010001)	1	32	13-0322-00	CDI,7500 (201015006)	1
16	7.010.028	COVER-BATTERY (5453652)	1	33	6.000.035	SOLENOID-STARTER (201015003)	1
17	7.020.023	STRAP-BATTERY HOLD DOWN (5416090)	1	34	H2410008	ROCKER SWITCH,KCD14,GREEN (headlight)	1

# BODY PANELS



MMODULE-BODY,INMOLD,GTSLE,INDY,RED			
Ref#	Part#	Description	Quantity
1	H5450004-070	FASCIA-FRONT,GTSLE,BLK	1
2	H5450001-293	HOOD-GTSLE,INDY RED	1
3	H5450005-070	DASH,GTSLE,BLK	1
4*	H2680001	SOFT ROOF,SHAQ,LE	1
5	H5450007-070	FENDER-FRONT-GTSLE,RH,BLK	1
6	H5450009-070	ROCKER-RH,GTSLE,BLK	1
7	7661855	RIVET-TUFLOK, .315-.325X.787	21
8	H5450010-070	BOX-CARGO,GTSLE,BLK	1
9	H5450003-293	FENDER-REAR-GTSLE,RH,INDY RED	1
10	7547674	NUT-M6-1.0,U-TYPE (2.5-3.8)	6
11	H5450002-293	FENDER-REAR-GTSLE,LH,INDY RED	1
12	7547274	NUT-M6 FLANGE,NYLOC	4
13	7519650	SCR-TXTH-M6X1.0X25 RIE	14
14	H5450008-070	ROCKER-LH,GTSLE,BLK	1
15	H5450006-070	FENDER-FRONT-GTSLE,LH,BLK	1
16	7518529	SCR-M6X1.0X20,HXHD,FLG,TDFM,BK	6
17	7517257	SCR-HXFL-M6X1.0X12 10.9 ZPC	6

# Decals



## Decals

Ref#	Part#	Description	Quantity
1	H7180045	DECAL-Hammerhead	2
2	H7180036	DECAL-REAR FENDER,LH,LE	1
3	H7180037	DECAL-REAR FENDER,RH,LE	1
4	H7180038	DECAL-LE-150	2
5	H7180039	DECAL-ROCKER,LH,LE	1
6	H7180040	DECAL-ROCKER,RH,LE	1
7	H7180041	DECAL-HOOD,LH,LE	1
8	H7180042	DECAL-HOOD,RH,LE	1
9	H7180043	DECAL-HOOD,SIDE,LH,LE	1
10	H7180044	DECAL-HOOD,SIDE,RH,LE	1
11	H7180009	DECAL-WARNS SET	1
12	H7180046	DECAL-DASH,LE	1