

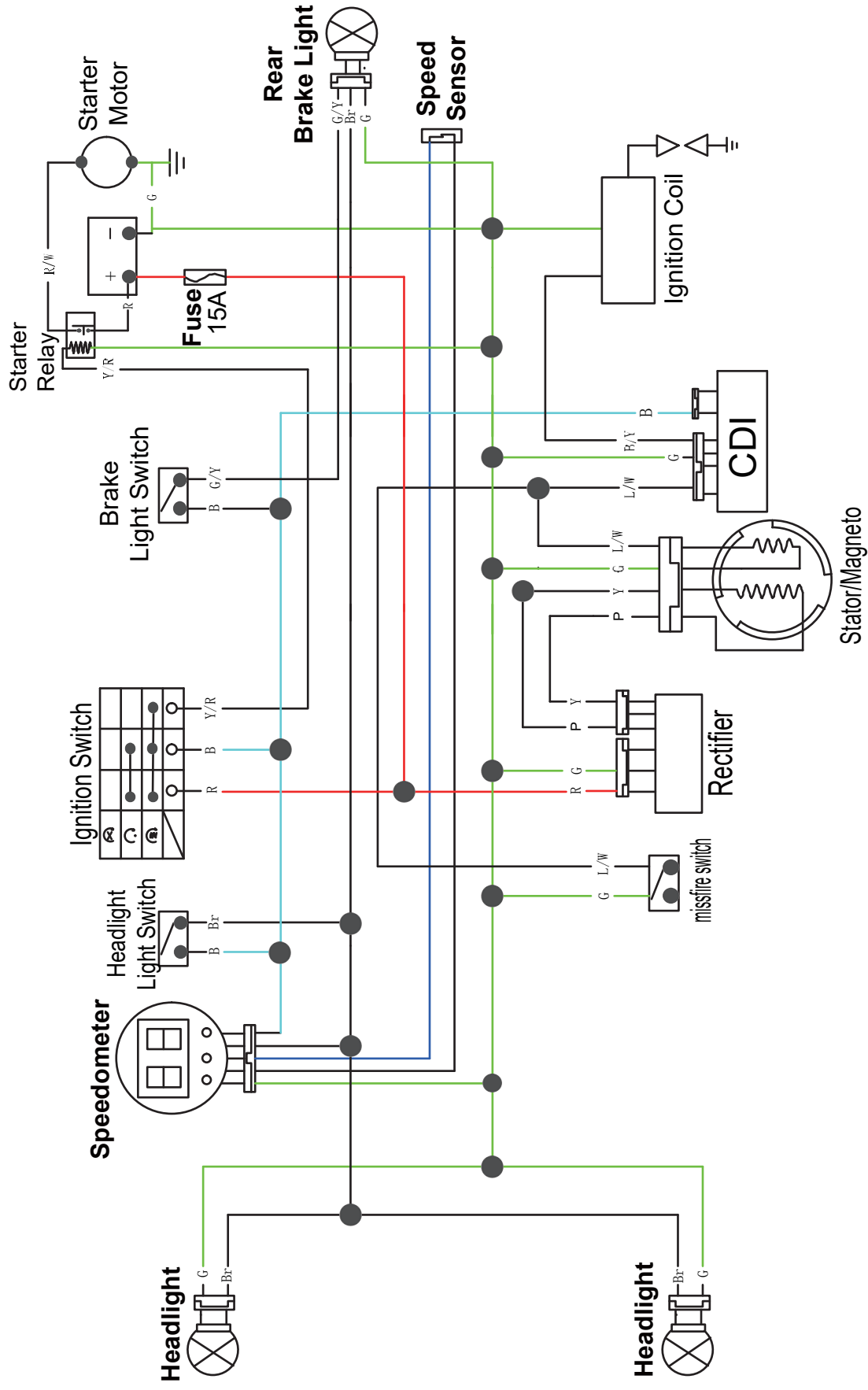


2018-2026 GTS-150

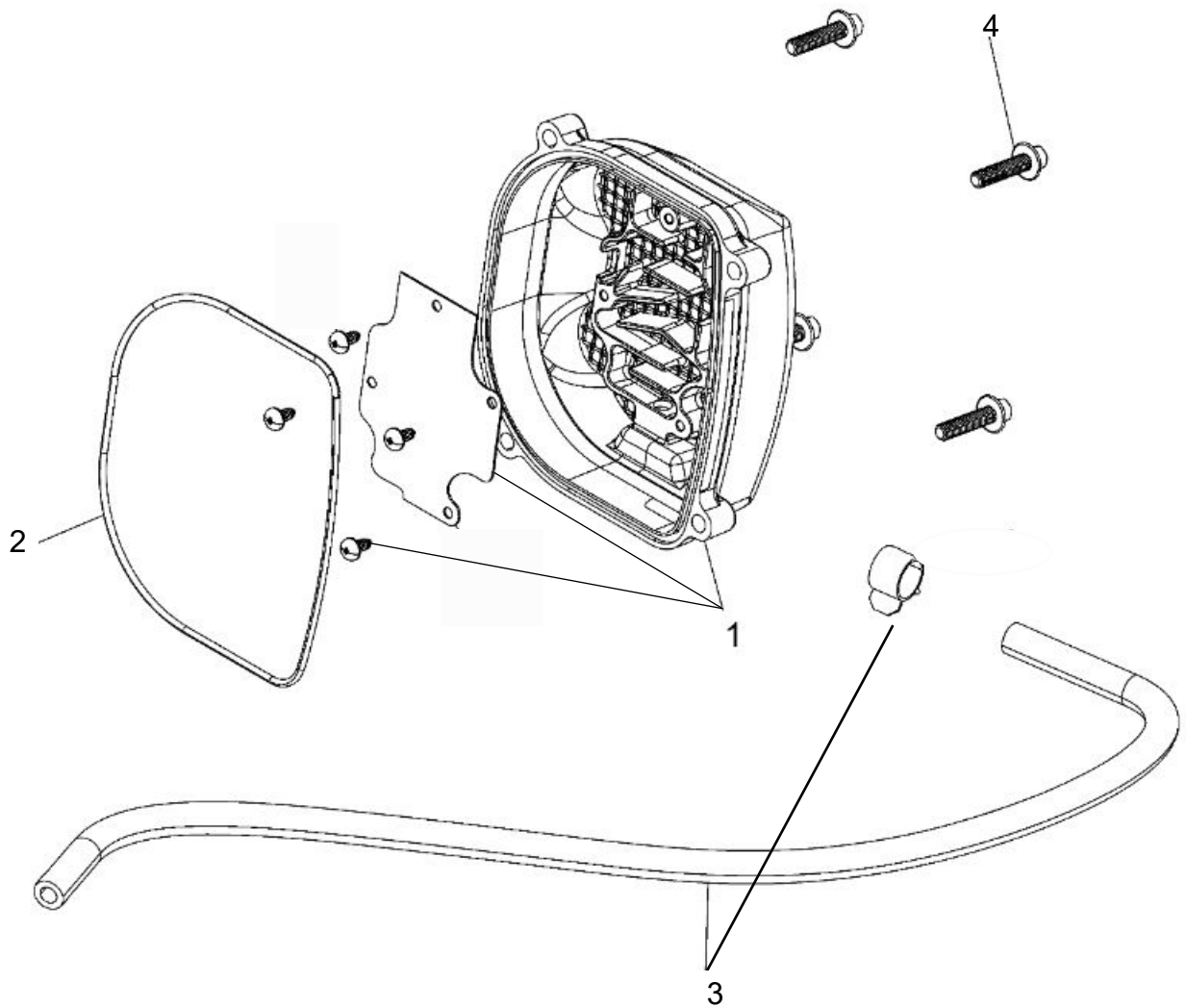
10th letter in VIN: J-T



ILLUSTRATED PARTS BOOK

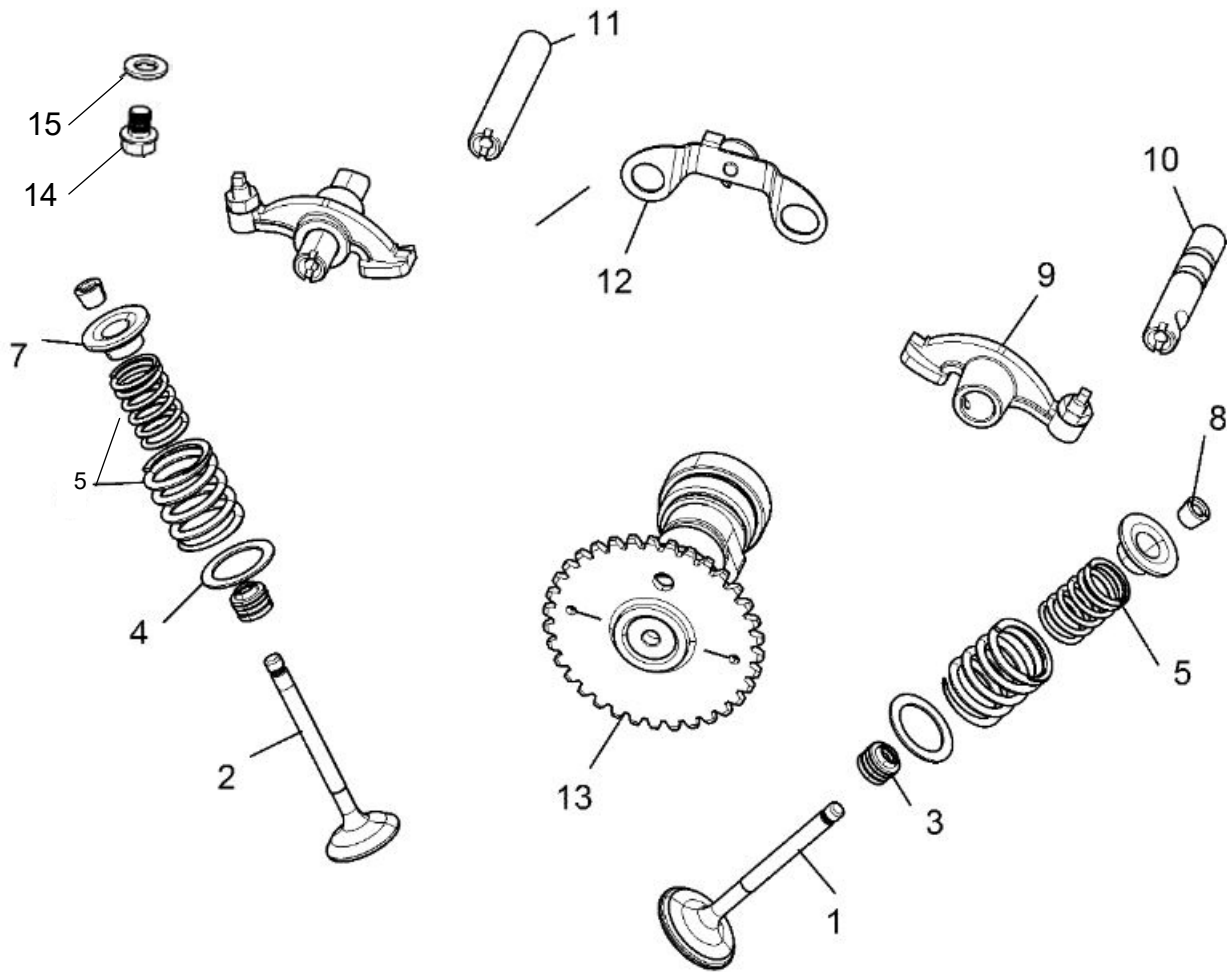


ENGINE, BREATHER



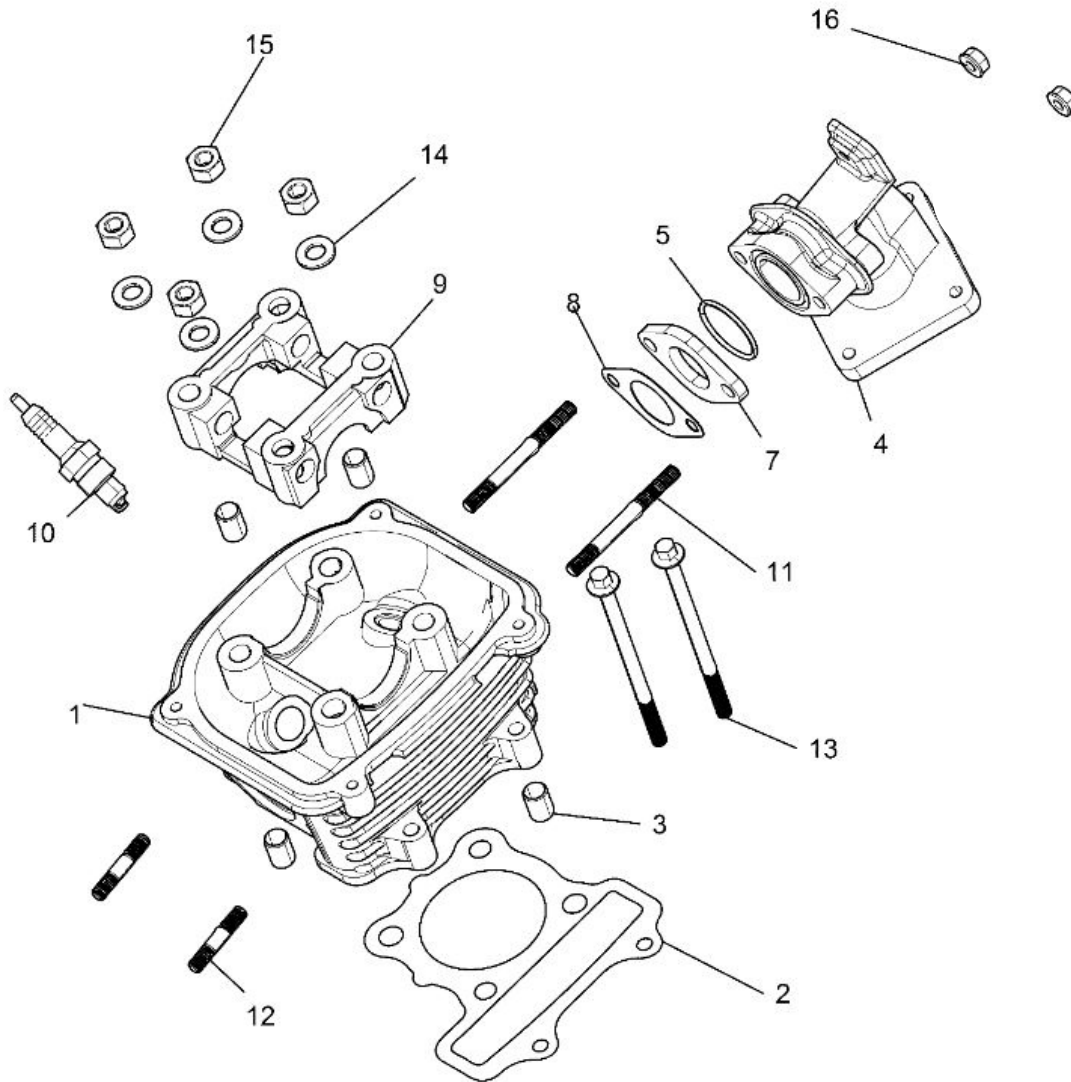
ENGINE, BREATHER			
Ref#	Part #	Description	Quantity
1	M150-1001100	COVER, CYLINDER HEAD	1
2	M150-1001103	VALVE COVER SEAL	1
3	M150-1001001	Vent line	1
4	M150-1003075	BOLT M6X25	4

ENGINE VALVE TIMING



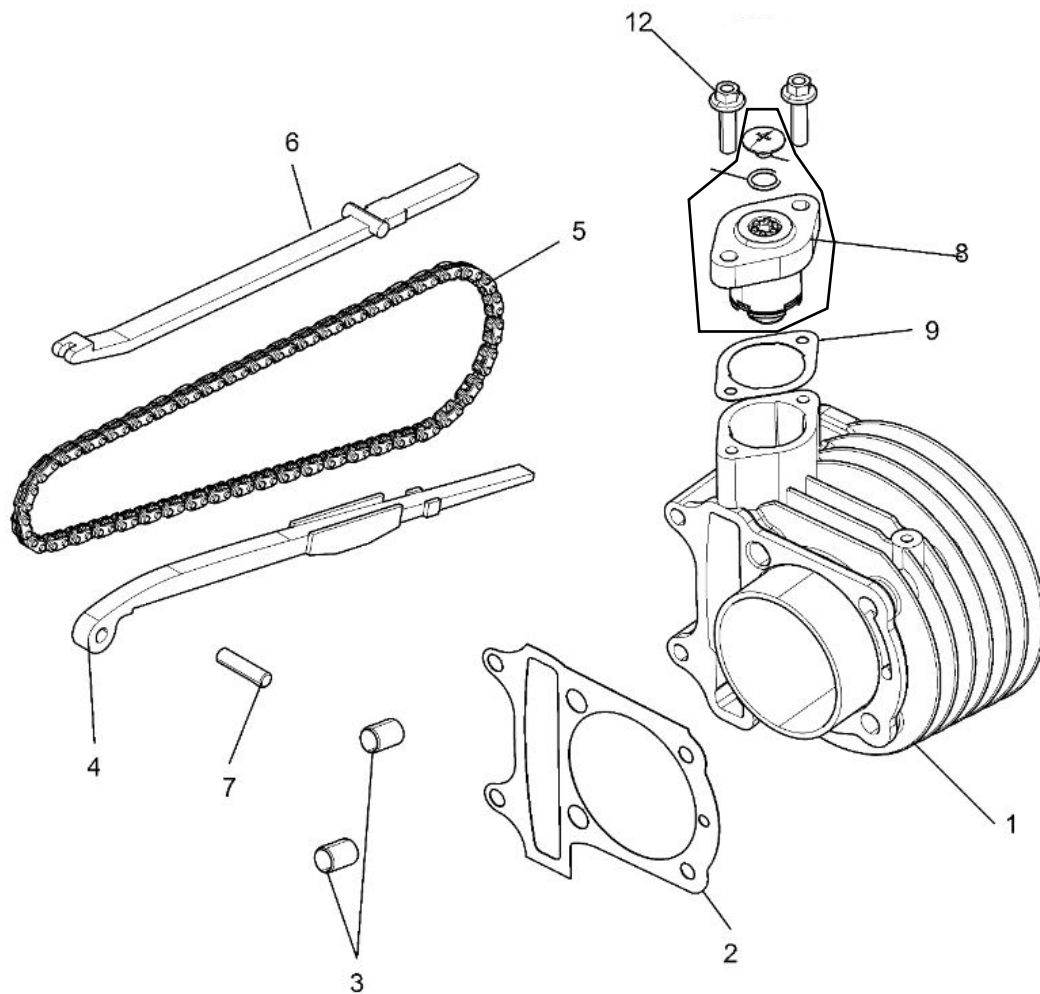
ENGINE VALVE TIMING			
1	M150-1001301-N	INTAKE VALVE	1
2	M150-1001307-N	EXHAUST VALVE	1
3	M150-1001310	STEM SEAL, VALVE	2
4	M150-1001302	SEAT, VALVE SPRING	2
5	M150-1001303	INNER SPRING, VALVE	2
5		OUTER SPRING, VALVE	2
7	M150-100305	RETAINER, VALVE SPRING	2
8	M150-1001306	VALVE COTTER	4
9	M150-1005002	ROCKER ARM SHAFT SET	2
10	M150-1005200	INTAKE ROCKER SHAFT	1
11	M150-1005005	EXHAUST ROCKER SHAFT	1
12	M150-1005100	CAGING PLATE	1
13	M150-1005300-N	CAMSHAFT COMP	1
14	M150-1005003	TAPPET SCREW ADJUSTING	2
15	M150-1005004	TAPPET NUT ADJUSTING	2

ENGINE, CYLINDER HEAD ASM



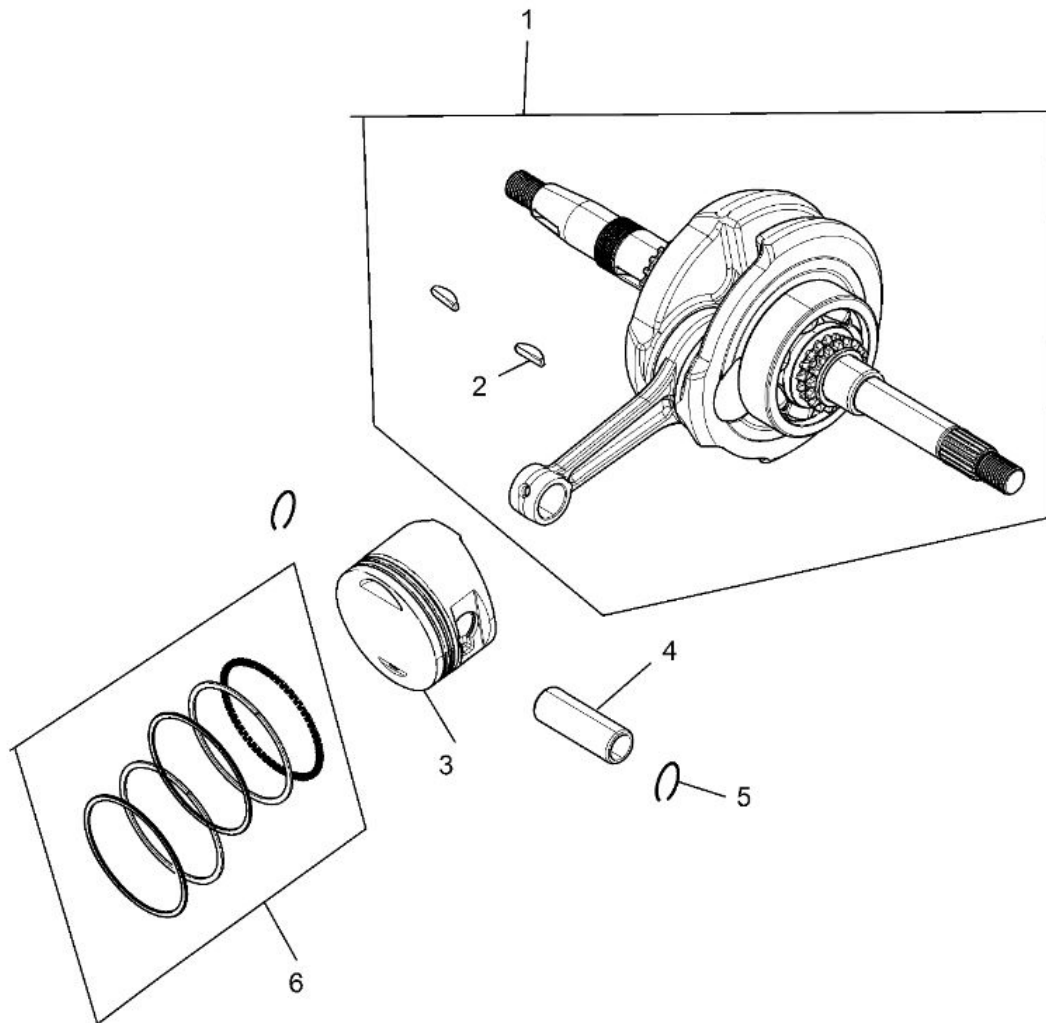
ENGINE, CYLINDER HEAD ASM			
Ref#	Part #	Description	Quantity
1	M150-100-1320	CYLINDER HEAD	1
2	M150-1001010	GASKET CYLINDER HEAD	1
3	M150-1001007	DOWEL PIN 10X16	4
4	M150-1001210	INTAKE PIPE	1
5	M150-1001201	O-RING 27X2	1
7	M150-1001005	INSULATOR, INTAKE	1
8	M150-3050352	GASKET, CARBURATOR INSULATOR	1
9	M150-1005001-N	CAMSHAFT HOLDER	1
10	98056-57713-00	SPARK PLUG	1
11	M150-1001006	BOLT STUD M6X63	2
12	M150-1001011	BOLT STUD M6X32	2
13	M150-1003007	BOLT M6X100	2
14	M150-1003004	WASHER 8	4
15	M150-1003003	NUT M8	4
16	95500-06001-KAS	NUT M6	2

ENGINE, CYLINDER COMP



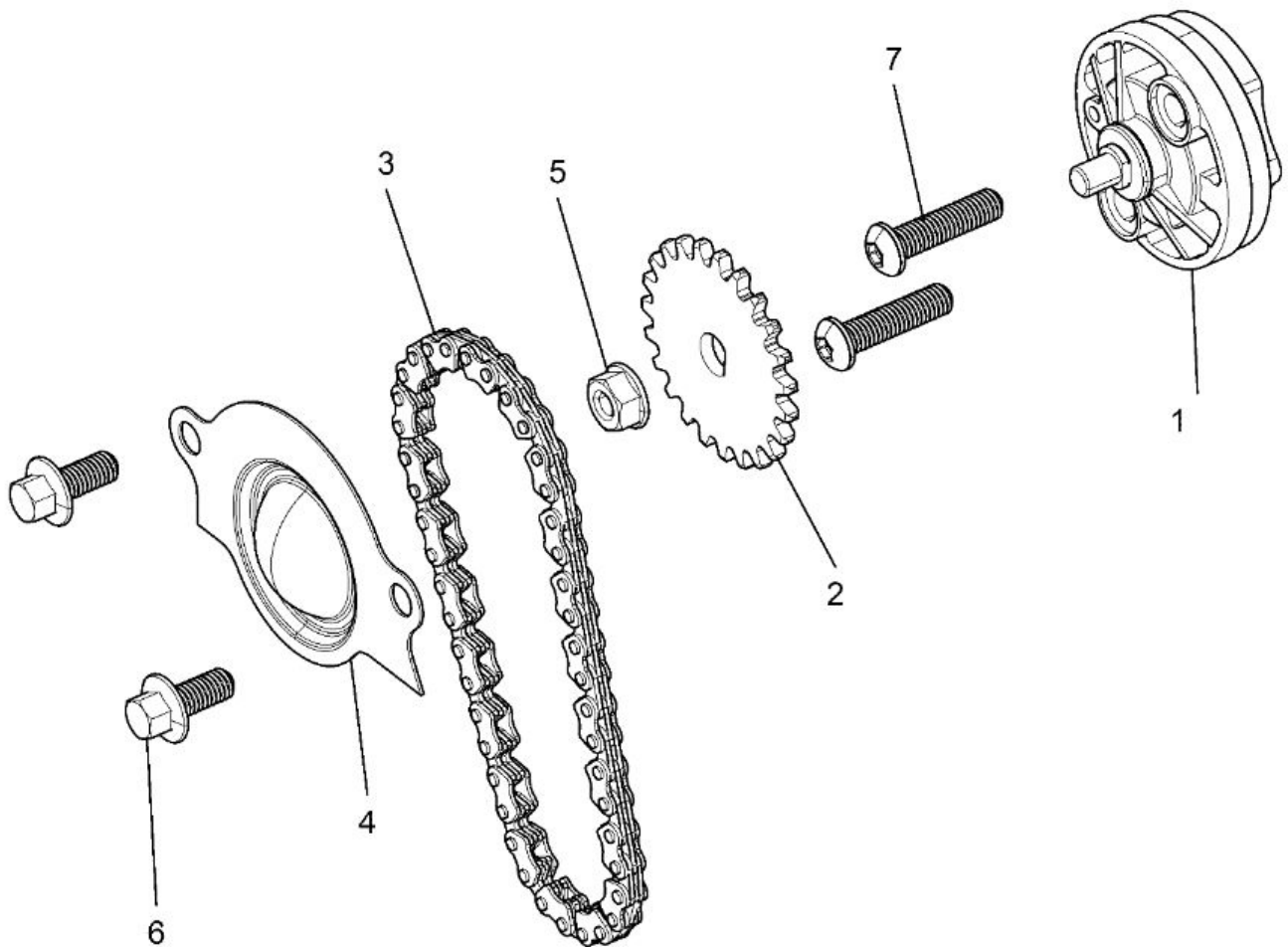
ENGINE, CYLINDER COMP			
Ref#	Part #	Description	Quantity
1	M150-1002200	CYLINDER BLOCK	1
2	M150-3050351	GASKET, CYLINDER BLOCK	1
3	M150-1001007	DOWEL PIN 10X16	1
4	M150-1003500	CHAIN GUIDE PLATE	1
5	M150-1005400	TIMING CHAIN	1
6	M150-1002300	TENSION PLATE	1
7	14559	TENSION ROD FIXED PIN	1
8	M150-1002100	ASM., TENSIONER	1
9	M150-3050347	GASKET, TENSIONER	1
12	96001-06020-KAT	BOLT M6X22	1

ENGINE, CRANKSHAFT, CONNECTING ROD AND PISTON



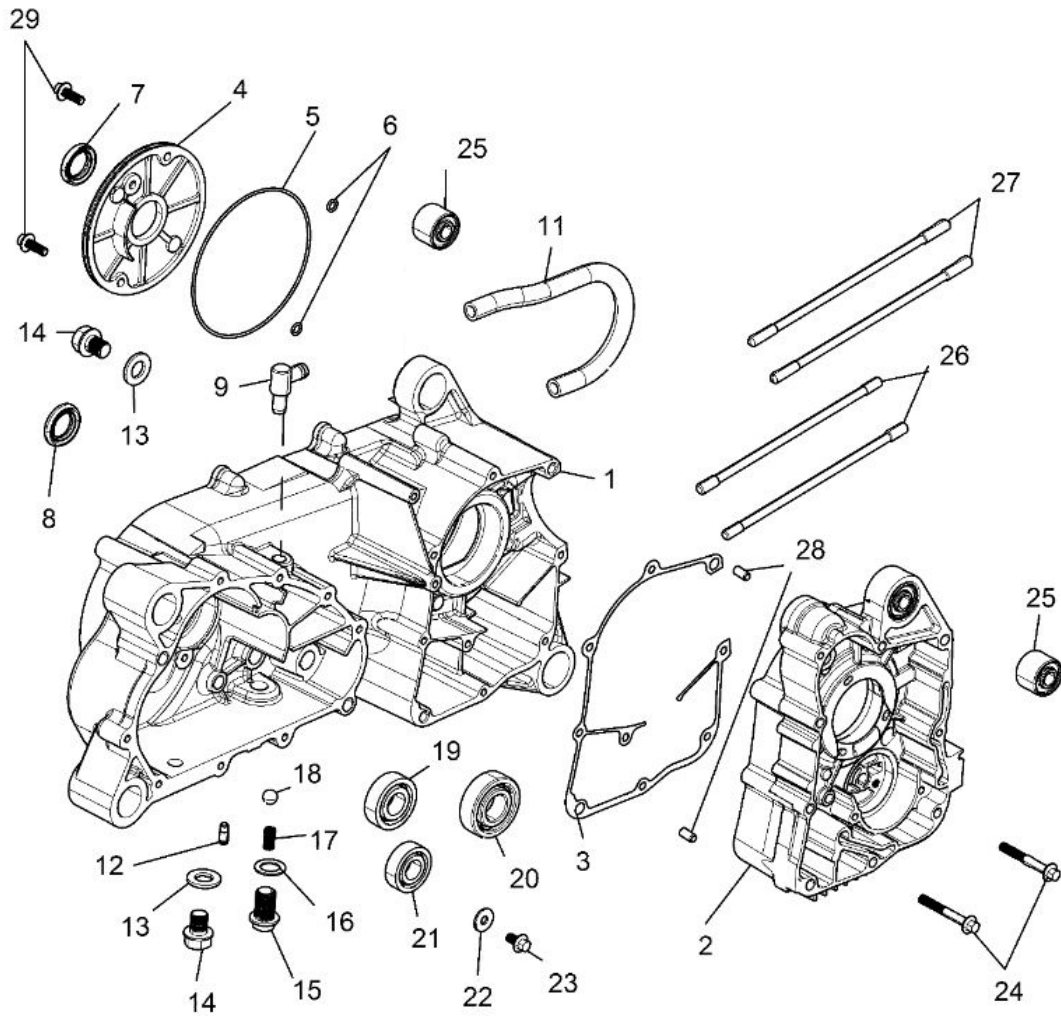
ENGINE, CRANKSHAFT, CONNECTING ROD AND PISTON			
Ref#	Part #	Description	Quantity
1	M150-1004100-N	ASM., CRACKSHAFT	1
2	M150-1004002	WOODRUFF KEY 4X14	2
3	M150-1004001	PISTON	1
4	M150-1004006	PIN, PISTON	1
5	M150-1004003	CIRCLIP, PISTON PIN	2
6	M150-1004200	RING SET, PISTON	1

ENGINE, OIL PUMP



ENGINE, OIL PUMP			
Ref#	Part #	Description	Quantity
1	M150-1022000	ASM., OIL PUMP	1
2	M150-1020001	GEAR, OIL PUMP	1
3	M150-1021000	CHAIN, OIL PUMP	1
4	M150-1003202	COVER	1
5	M150-1020002	NUT M6	1
6	M150-1003005-B	BOLT M6X14	2
7	M150-1003075	BOLT M6X25	2

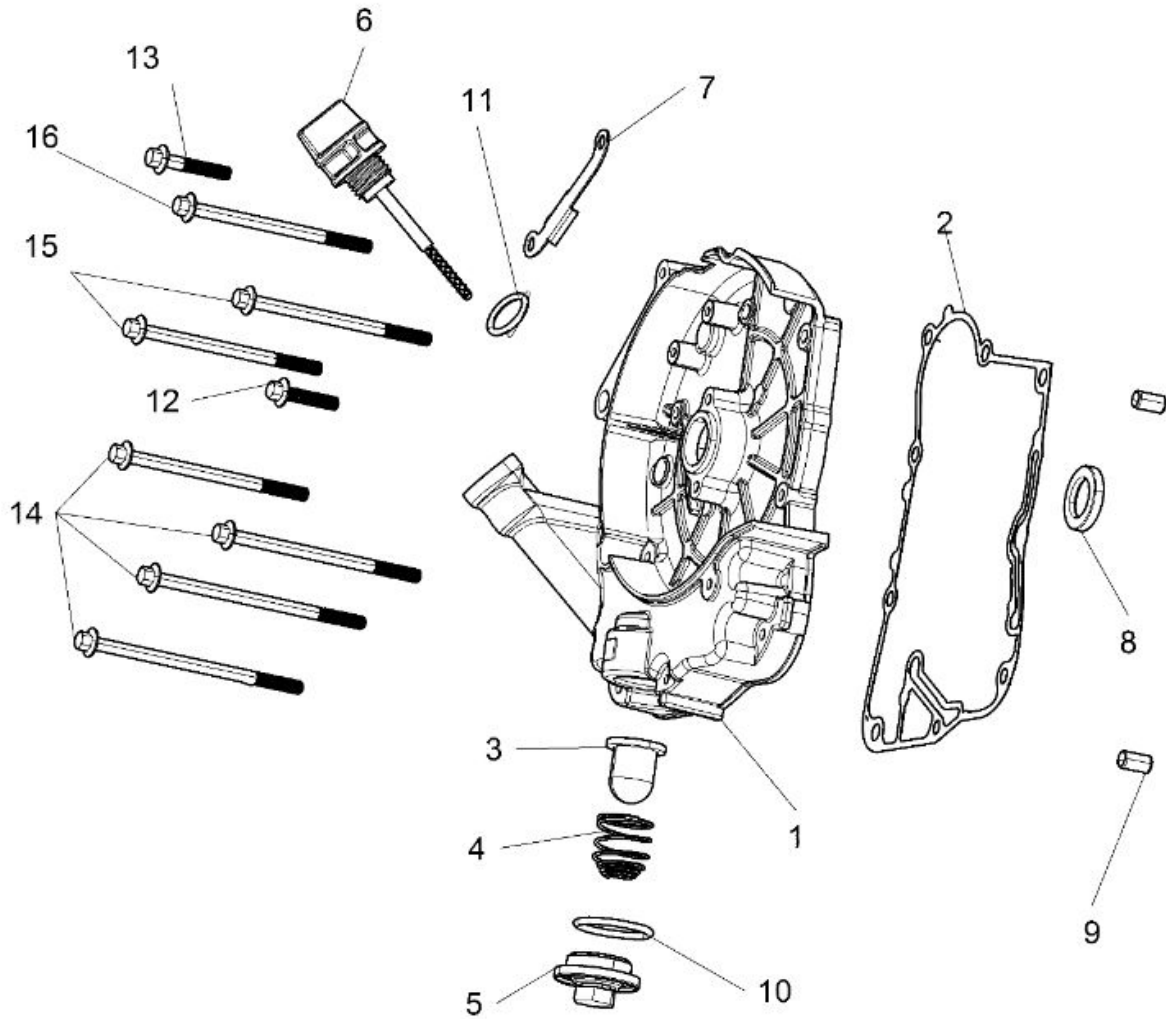
ENGINE, CRANKCASE COMP LEFT / RIGHT



ENGINE, CRANKCASE COMP LEFT/RIGHT

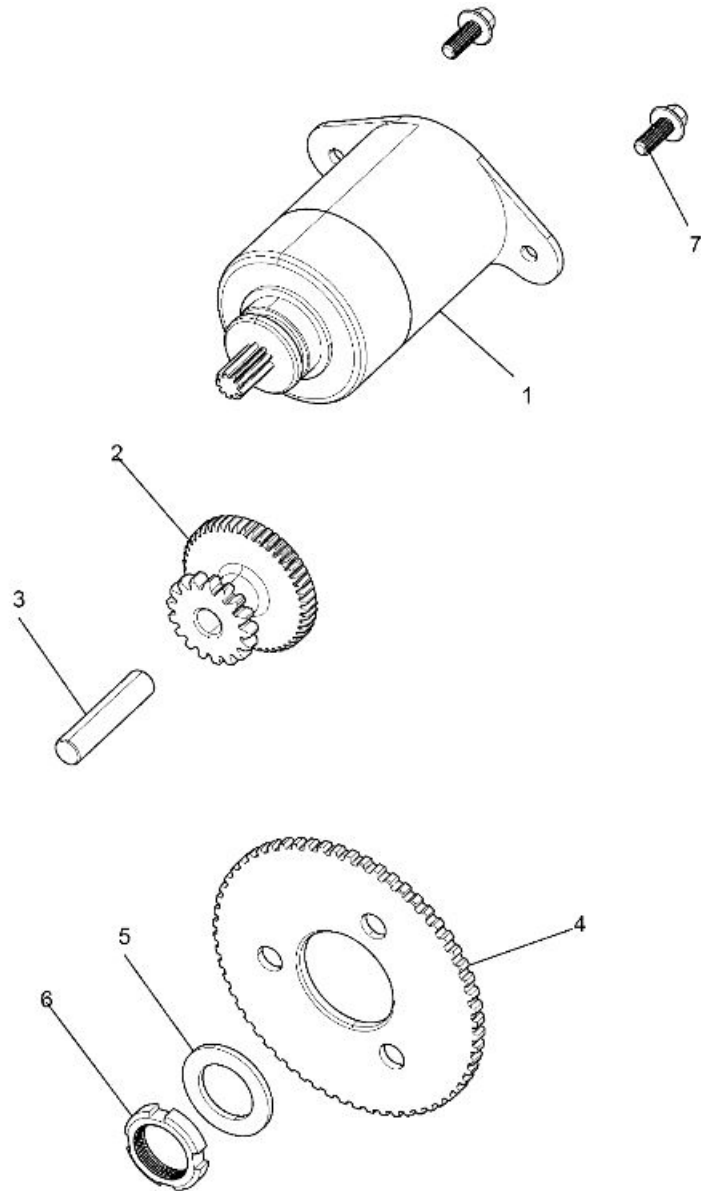
Ref#	Part #	Description	Quantity	Ref#	Part #	Description	Quantity
1	14280	CRANKCASE, LH	1	16	14311	WASHER 14.2X22X1.3	1
2	14277	CRANKCASE, RH	1	17	14310	POSITIONING SPRING	1
3	M150-3050348	GASKET CRANKCASE	1	18	14309	STEEL BALL SO10.319	1
4	14283	COVER	1	19	91004-E6203-KAT	BALL BEARING 6203	1
5	14284	O-RING 107X2	1	20	91004-E6204-KAT	BALL BEARING 6204	1
6	14285	O-RING 6X1.8	2	21	91004-E6202-KAT	BALL BEARING 6202	1
7	M150-1003110	OIL SEAL 19.8X30X5	1	22	14315	WASHER 6X18X1.6	1
8	M150-1042000	OIL SEAL 20X32X6	1	23	M150-1003203	BOLT M6X12	1
9	14308	VENTILATION PIPE	1	24	M150-1003032	BOLT M6X50	2
11	14307	WASTE PIPE SET (330mm)	1	25	M150-1003320	ENGINE HANGER BUSH	2
12	14502	BOX OUTLET NOZZLE	1	25	M150-1003320	ENGINE HANGER BUSH	2
13	14314	WASHER 12	2	26	M150-1003001	BOLT, CYLINDER STUD M8X18	2
13	14314	WASHER 12	2	27	M150-1003002	BOLT, CYLINDER STUD M8X19	2
14	14313	BOLT M12X1.5	2	28	M150-1003005	DOWEL PIN 8X14	2
14	14313	BOLT M12X1.5	2	29	14286	BOLT M6X18	2
15	14312	LOCATING BOLT M14X20.8	1				

ENGINE, CRANKCASE COVER ASM, RIGHT



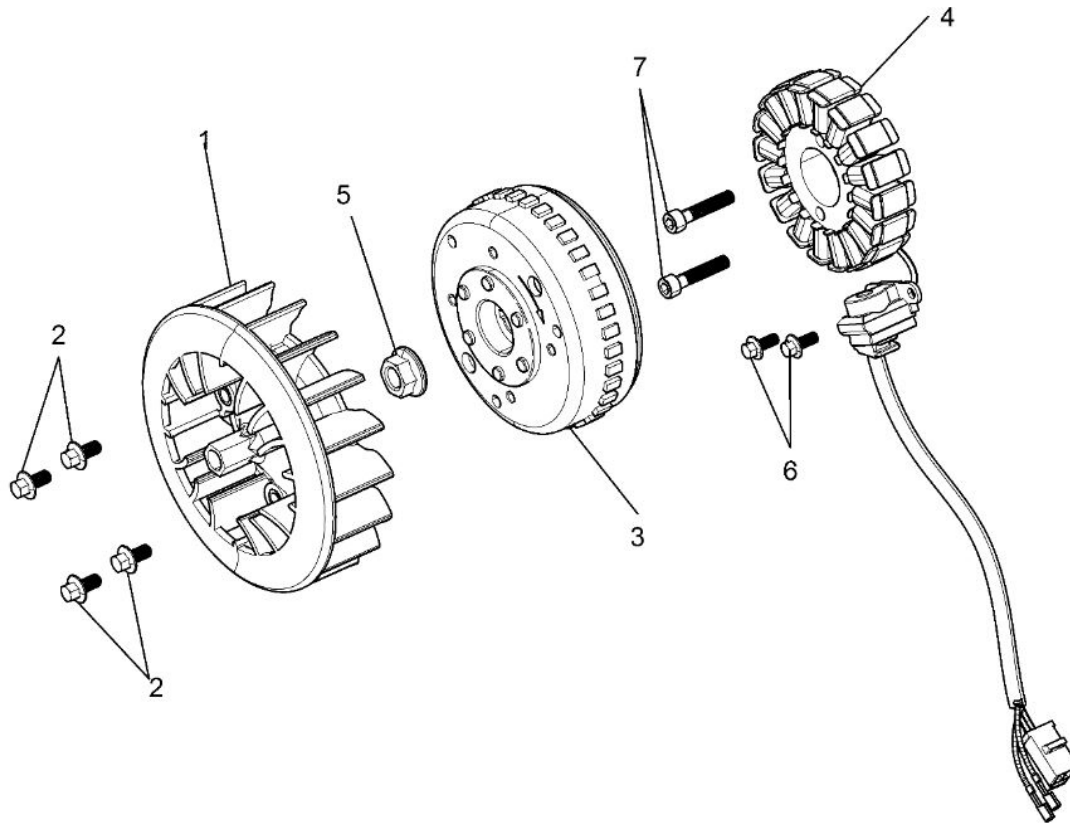
ENGINE, CRANKCASE COVER ASM, RIGHT			
Ref#	Part #	Description	Quantity
1	M150-1003101	CRANKCASE COVER, RH	1
2	M150-3050350	GASKET, CRANKCASE COVER, RH	1
3	M150-1003120	OIL FILTER SCREEN	1
4	M150-1003102	OIL FILTER SCREEN SPRING	1
5	M150-1003104	COVER, OIL FILTER SCREEN	1
6	M150-1003105	DIPSTICK	1
7	M150-1003006	CLAMP, A.C. GENERATOR CORD	1
8	M150-1003110	OIL SEAL 19.8X30X5	1
9	M150-1003005	DOWEL PIN 8X14	2
10	M150-1003103	O-RING 30.8X3.2	1
11	M150-1003307	O-RING 18X3	1
12	M150-1003034	BOLT M6X35	1
13	96001-0632-KAT	BOLT M6X28	1
14	M150-1003012	BOLT M6X95	4
15	M150-1003008	BOLT M6X110	2
16	M150-1003007	BOLT M6X100	1

ENGINE, STARTER MOTOR



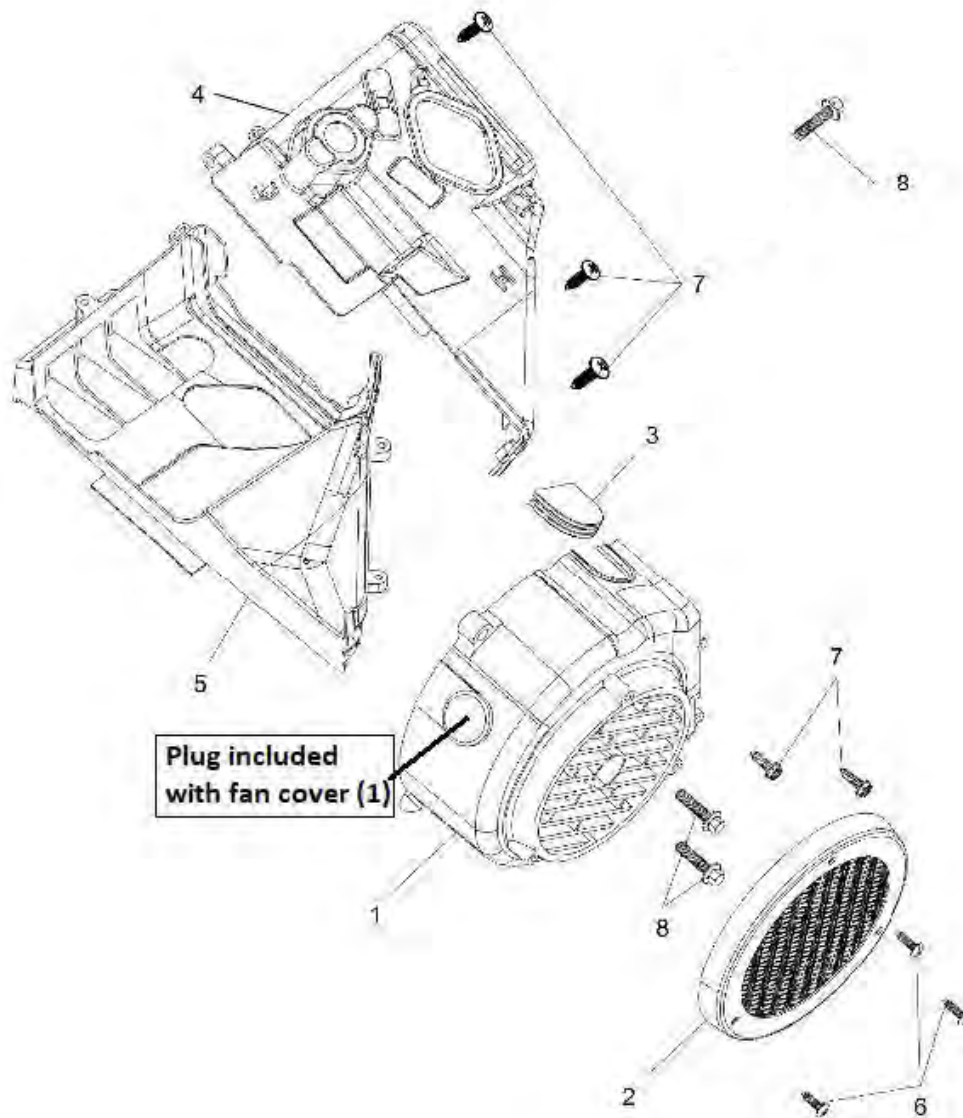
ENGINE, STARTER MOTOR			
Ref#	Part #	Description	Quantity
1	M150-1064000	STARTER MOTOR	1
2	M150-1060003	GEAR IDLER	1
3	M150-1060003	SHAFT	1
4	M150-1060001	ASM., STARTING CLUTCH	1
5	M150-1004013	WASHER 22X31X2.5	1
6	M150-1004009	SPANNER NUT M22X1 (Left Hand Thread)	1
7	M150-1060005	BOLT M6X16	2

ENGINE, STATOR AND FLYWHEEL



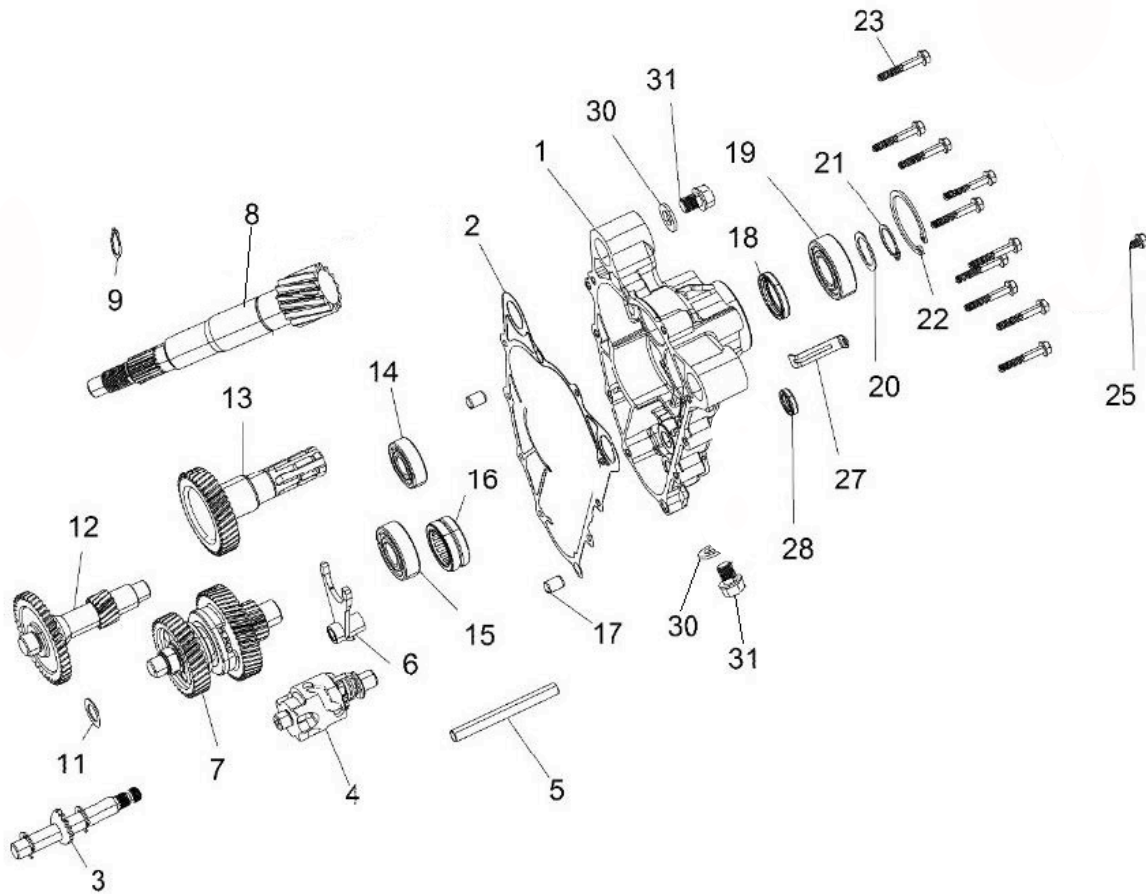
ENGINE, STATOR AND FLYWHEEL			
Ref#	Part #	Description	Quantity
1	M150-1051100-3	COOLING FAN	1
2	M150-1051100-4	BOLT M6X18	4
3	M150-1051100	STATOR FLYWHEEL	1
4	M150-1051200	STATOR COIL	1
5	M150-1004007	NUT M12X1.25	1
6	92101-05012-OH	BOLT M5X12	2
7	M150-1003106	SOCKET HEAD CAP SCREWS M6X30	2

ENGINE, FAN COVER AND SHROUD COMP



ENGINE, FAN COVER AND SHROUD COMP			
Ref#	Part #	Description	Quantity
1	M150-1009410	COVER, COOLING FAN	1
2	8.020.179	ISOLATION MESH	1
3	M150-1009401	FAN COVER COOLING DUCT	1
4	M150-1009110	SHROUD COMP B	1
5	M150-1009301	SHROUD COMP A	1
6	9.804.003	SCREW ST 4.2X16	3
7	M150-1009402	SCREW ST 4.8X16	5
8	M150-1003075	BOLT M6X25	3

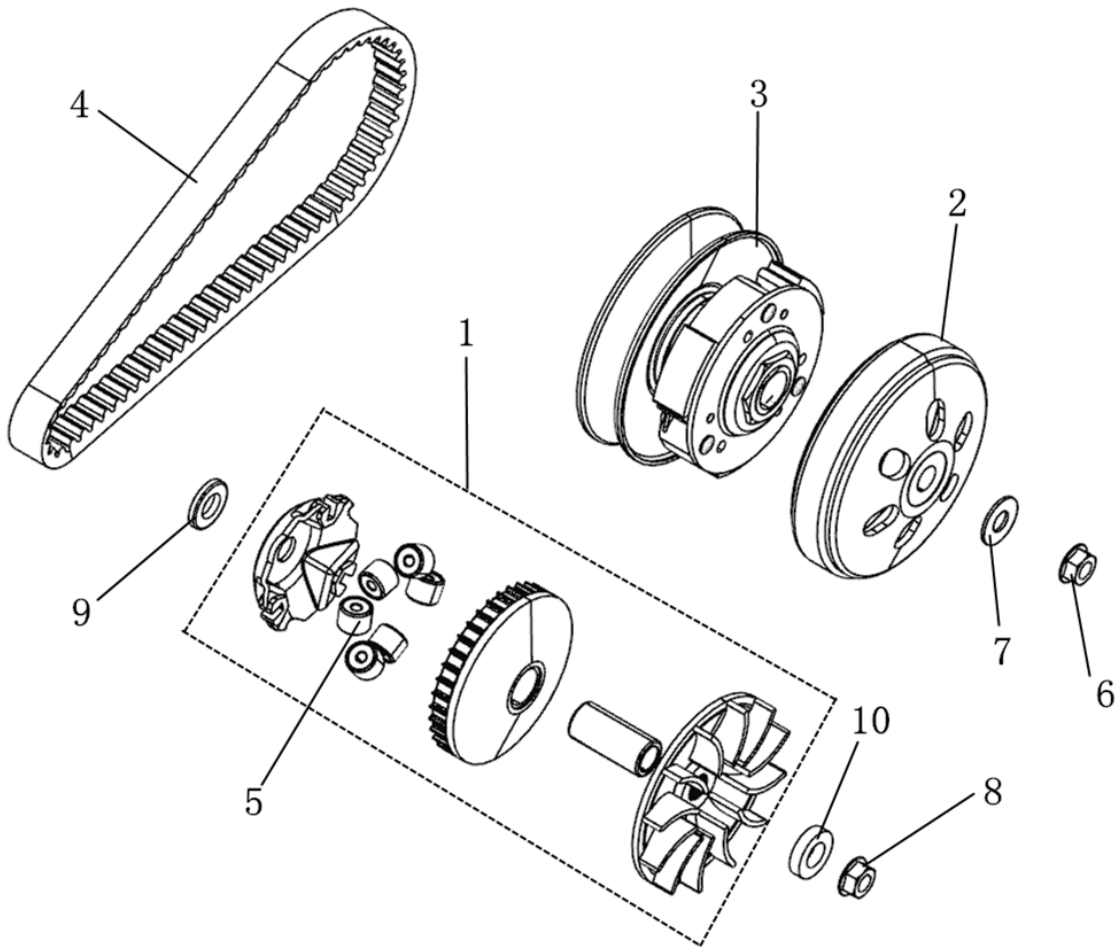
DRIVE TRAIN MAIN GEAR CASE



DRIVE TRAIN MAIN GEAR CASE

Ref#	Part #	Description	Quantity	Ref#	Part #	Description	Quantity
1	14297	GEAR BOX COVER	1	15	91004-E6204-KAT	BALL BEARING 6204	1
2	M150-3050349	GEAR BOX GASKET	1	16	14504	NEEDLE BEARING RNA4905	1
3	14305	ASM., TRANSMISSION SHAFT	1	17	14287	DOWEL PIN 10X14	2
4	14302	GEARSHIFT DRUM	1	18	14318	OIL SEAL 30X40X6	1
5	14304	FORK SHAFT	1	19	14598	BALL BEARING 6205-2RS	1
6	14303	FORK SHAFT	1	20	14511	WASHER 25X34X1	1
7	14300	ASM., GEARSHIFT SHAFT	1	21	14319	CIRCLIP 25	1
8	14298	DRIVE SHAFT	1	22	14320	CIRCLIP 52	1
9	14106	CIRCLIP 20	1	23	9.106.040	BOLT M6X40	10
				25	9.106.012	BOLT M6X12	1
11	14316	PLAIN WASHERS (STEEL) 15X19X1	1	27	14321	CABLE CLAMP	1
12	14299	ASM-REVERSE GEAR SHAFT	1	28	14597	OIL SEAL 14X22X5	1
13	14301	ASM-OUTPUT SHAFT	1	30	14314	WASHER 12	1
14	14503	BALL BEARING 6302	1	31	14313	FILL/DRAIN BOLT M12X1.5	1

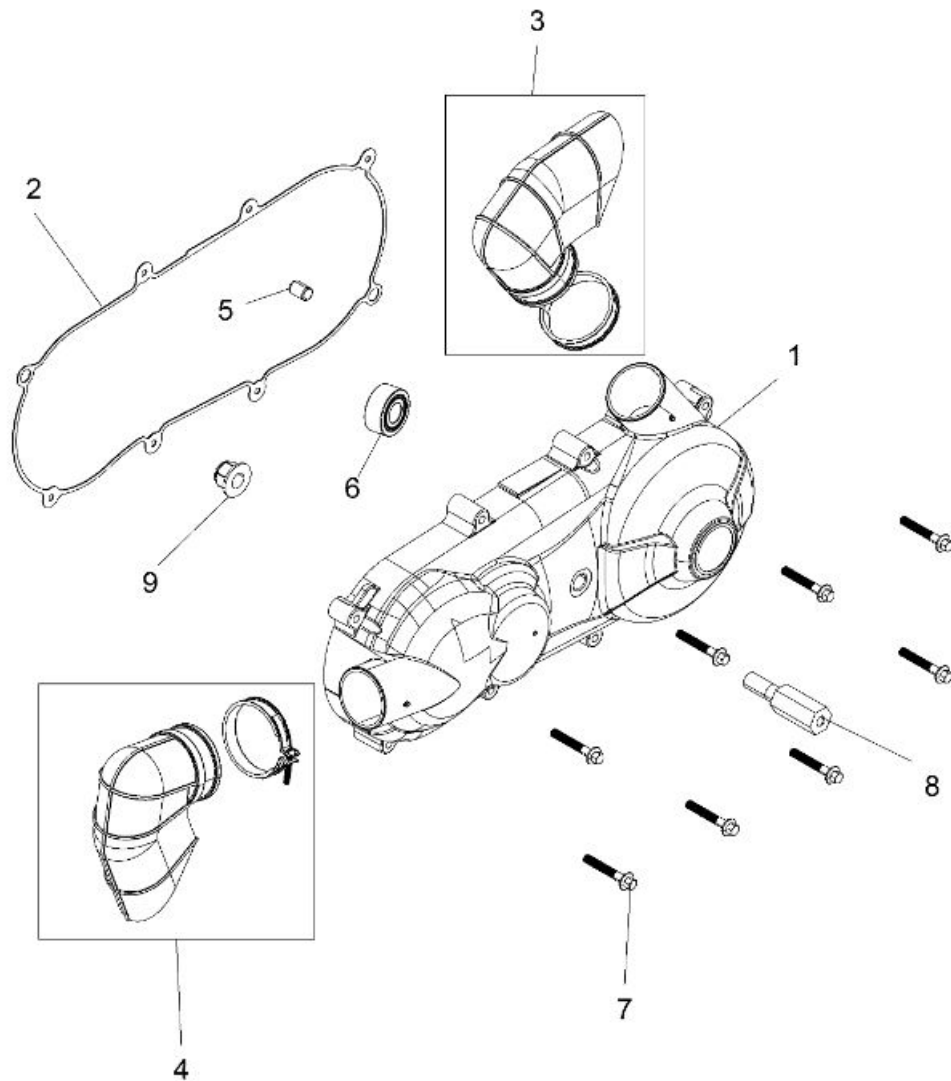
DRIVE TRAIN, PRIMARY CLUTCH



ENGINE, STATOR AND FLYWHEEL

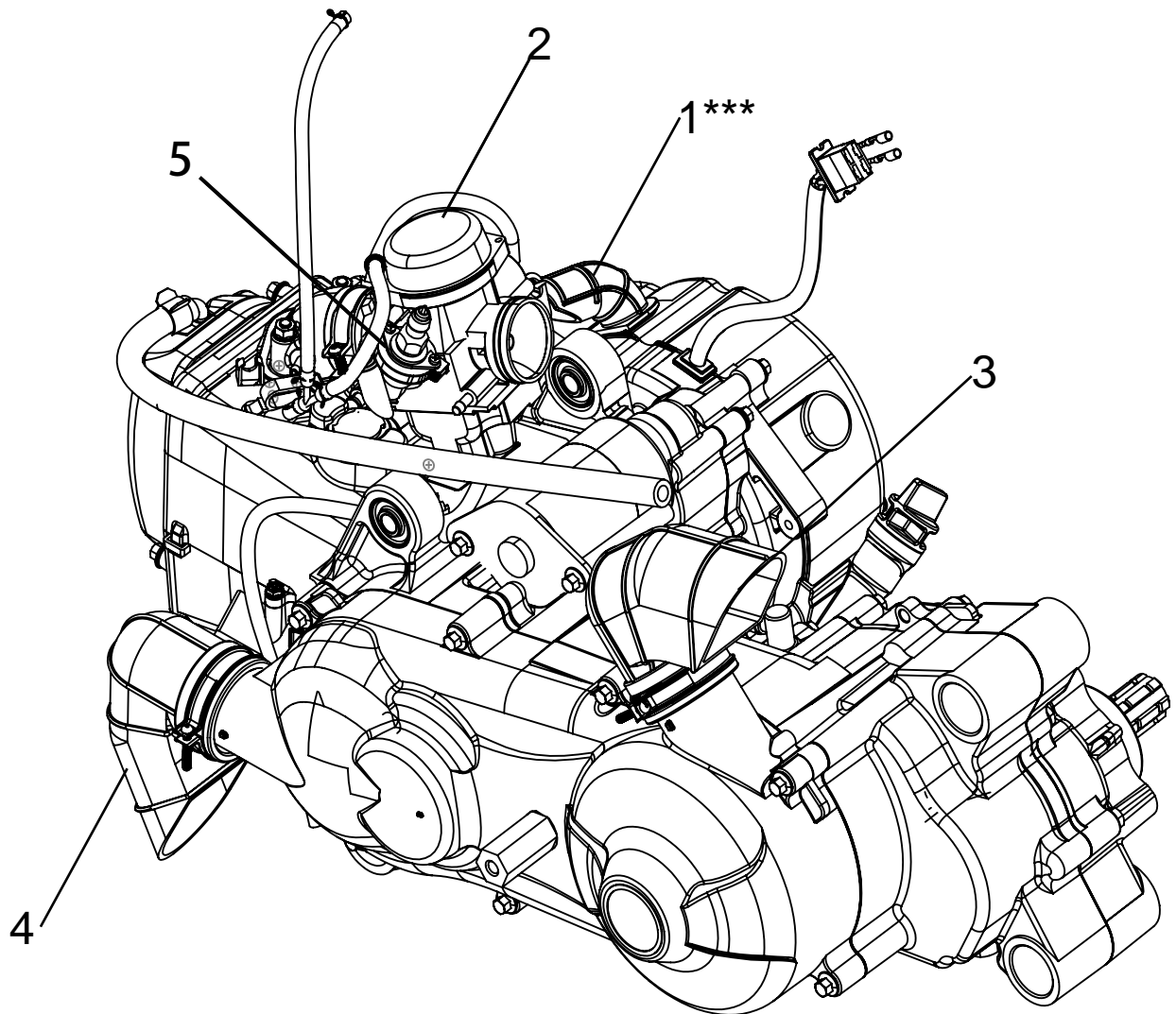
Ref#	Part#	Description	Quantity
1	M150-1071000	ASM,DRIVING PULLEY (include Rollers)	1
2	M150-1032000	DRIVEN DISC COMP	1
3	M150-1031000	DRIVEN PULLEY COMP	1
4	M150-1033000	V-BELT	1
5	M150-1071002	Rollers	6
6	M150-1004008	NUT M12×1.25×8	1
7	M150-1040005	WASHER 12	1
8	M150-1040007	Nut M12×1.25×11	1
9	157F.11.502	WASHER 15.2×29×4	1
10	157F.11.501	WASHER 15.2×29×7.5	1

DRIVE TRAIN CLUTCH COVER AND DUCTING



Ref#	Part #	Description	Quantity
		DRIVE TRAIN CLUTCH COVER AND DUCTING	
1	M150-1008101-N	CRANKCASE COVER, LH	1
2	M150-3050353	GASKET, CRANKCASE COVER, LH	1
3	14322	ASM., ASPIRTAION CHANNEL, B	1
4	14322	ASM., ASPRIATION CHANNEL, A	1
5	M150-1003005	DOWEL PIN 10X14	2
6	14508	BALL BEARING 6200-2RZ	1
7	14235	BOLT M6X40	8
8	14507	MUFFLER BRACKET BOLTS	1
9	M150-1004008	NUT M12X11	1

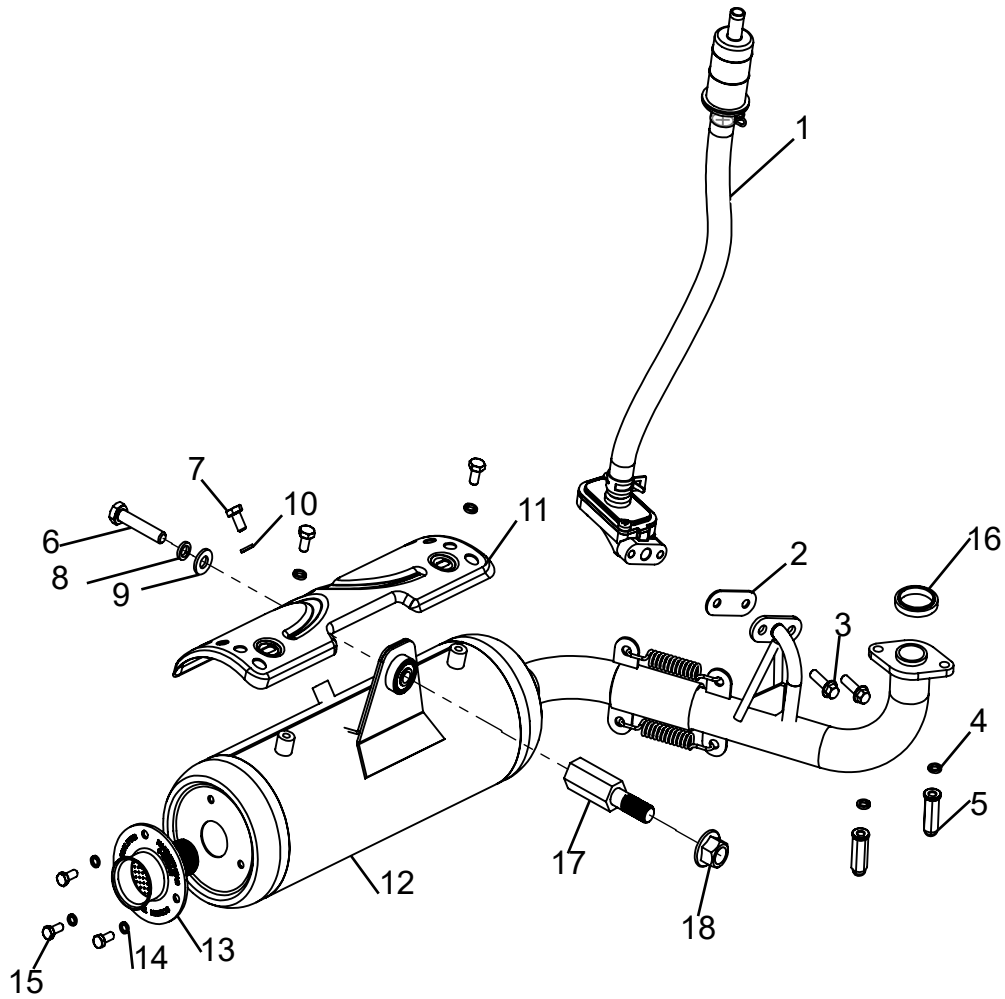
ENGINE ASSEMBLY



<u>Ref #:</u>	<u>Part Number:</u>	<u>Engine Assembly</u> <u>Description:</u>	<u>Quantity:</u>
1***	006-JL150-03	150cc Engine Assembly w/oil cooler holes	1
2	13-1601-00	CARBURETOR	1
3	14322	ASM., ASPRIATION CHANNEL, B	1
4	14322	ASM., ASPRIATION CHANNEL, A	1
5	13-1811-00	CHOKE CABLE HOUSING	1

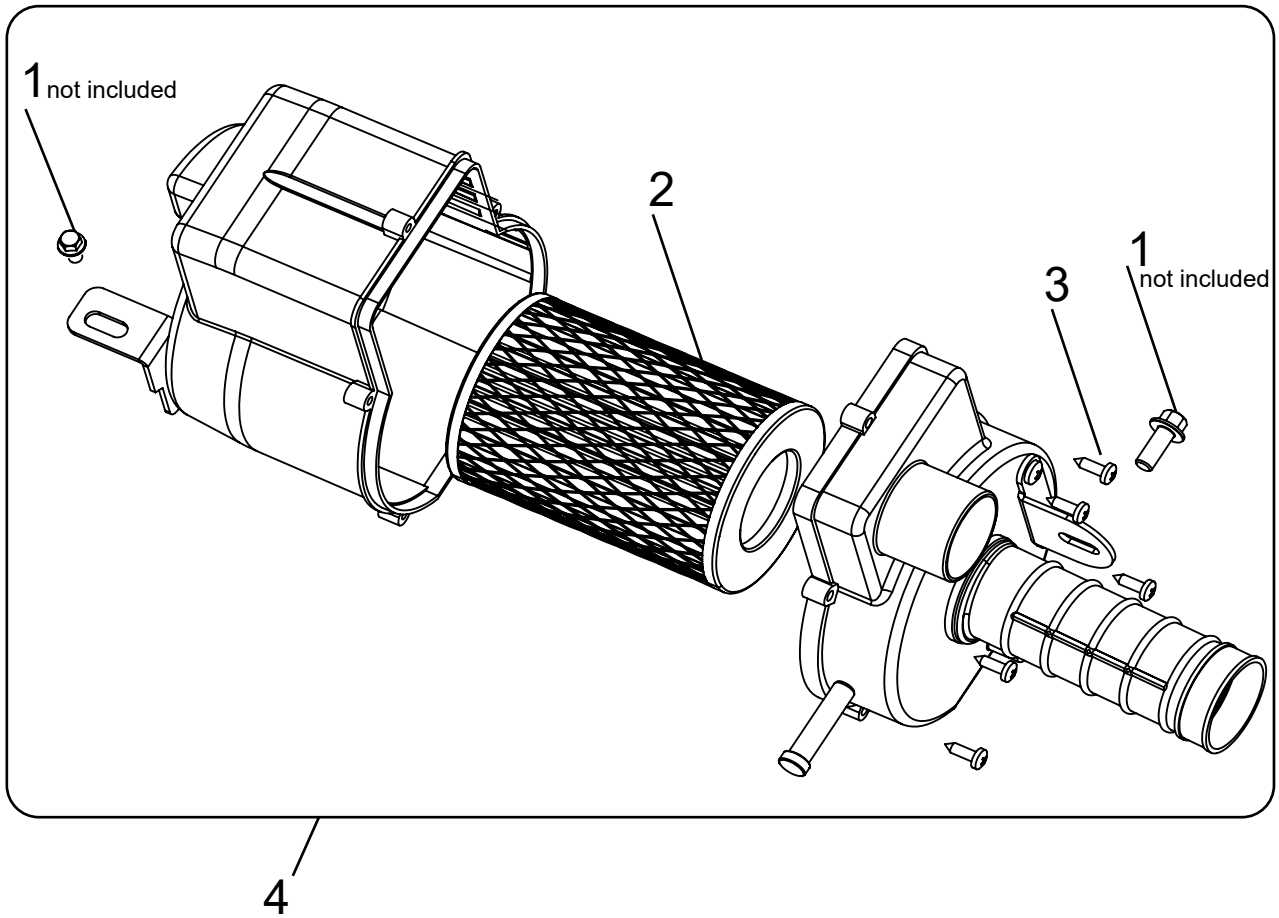
***Engine does not include carb and vents indicated in drawing (2, 3, 4, 5)

EXHAUST ASSEMBLY



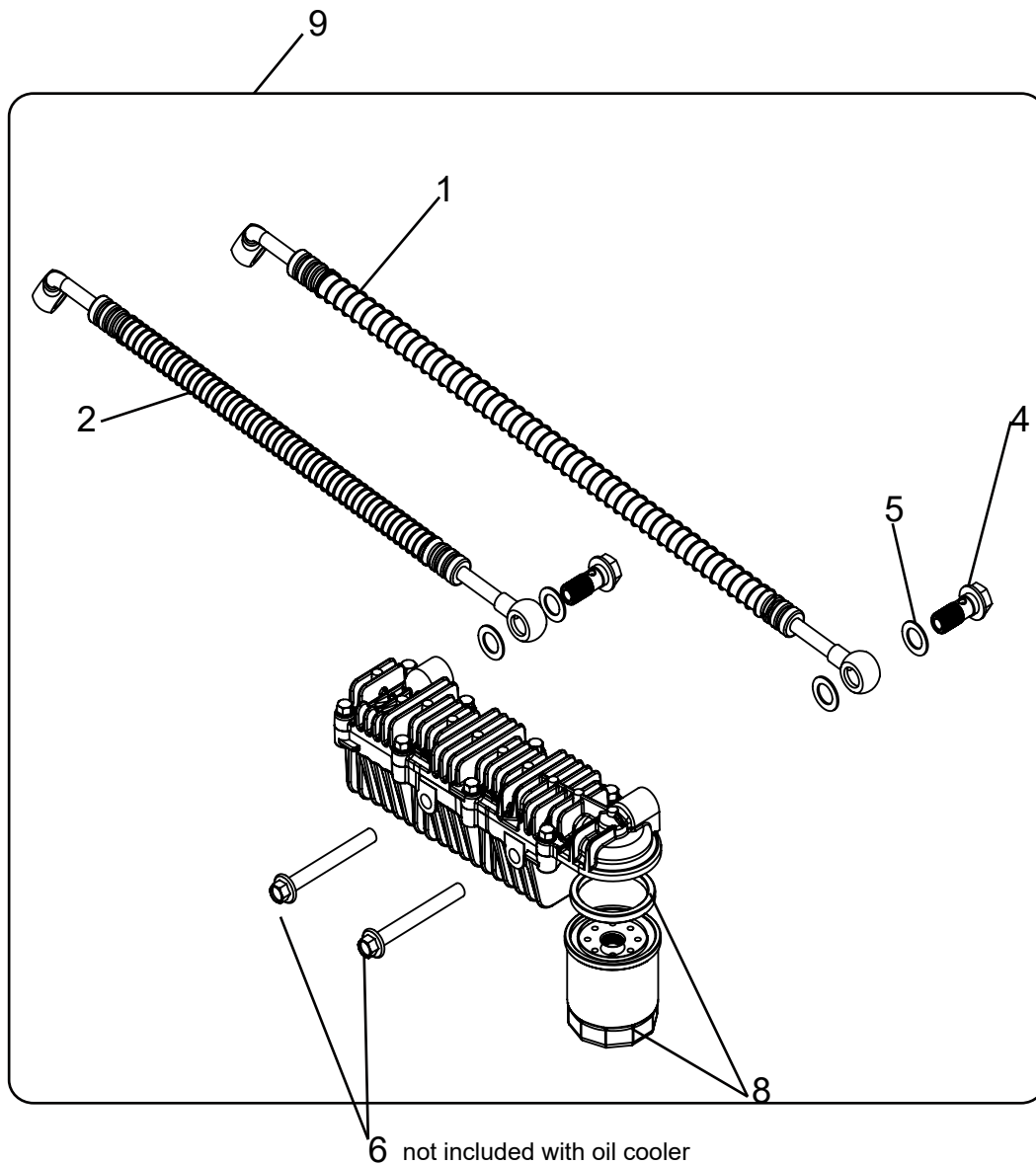
Exhaust Assembly			
Ref #:	Part Number:	Description:	Quantity:
1	14762	Muffler Air Injection System	1
2	13-1605-01	Gasket, Muffler Air Injection System	1
3	9.106.012	Bolt m6x12	2
4	9.400.006	Lock Washer 6	2
5	9.040.027	Muffler Nut	2
6	9.108.040	Bolt m8x40	1
7	9.106.012	Bolt m6x12	3
8	9.400.008	Lock Washer 8	1
9	9.300.008	Flat Washer 8	1
10	9.400.006	Lock Washer 6	3
11	8.020.091	Muffler Protector	1
12	6.000.074	Muffler Assembly	1
13	13-1604-00	Spark Arrestor	1
14	9.400.006	Lock Washer 6	3
15	9.106.014	Bolt m6x14	3
16	M150-3050354	Exhaust Pipe Gasket	1
17	14507	Muffler Support Bracket	1
18	9.220.012	Lock Nut m12	1

AIR FILTER ASSM.



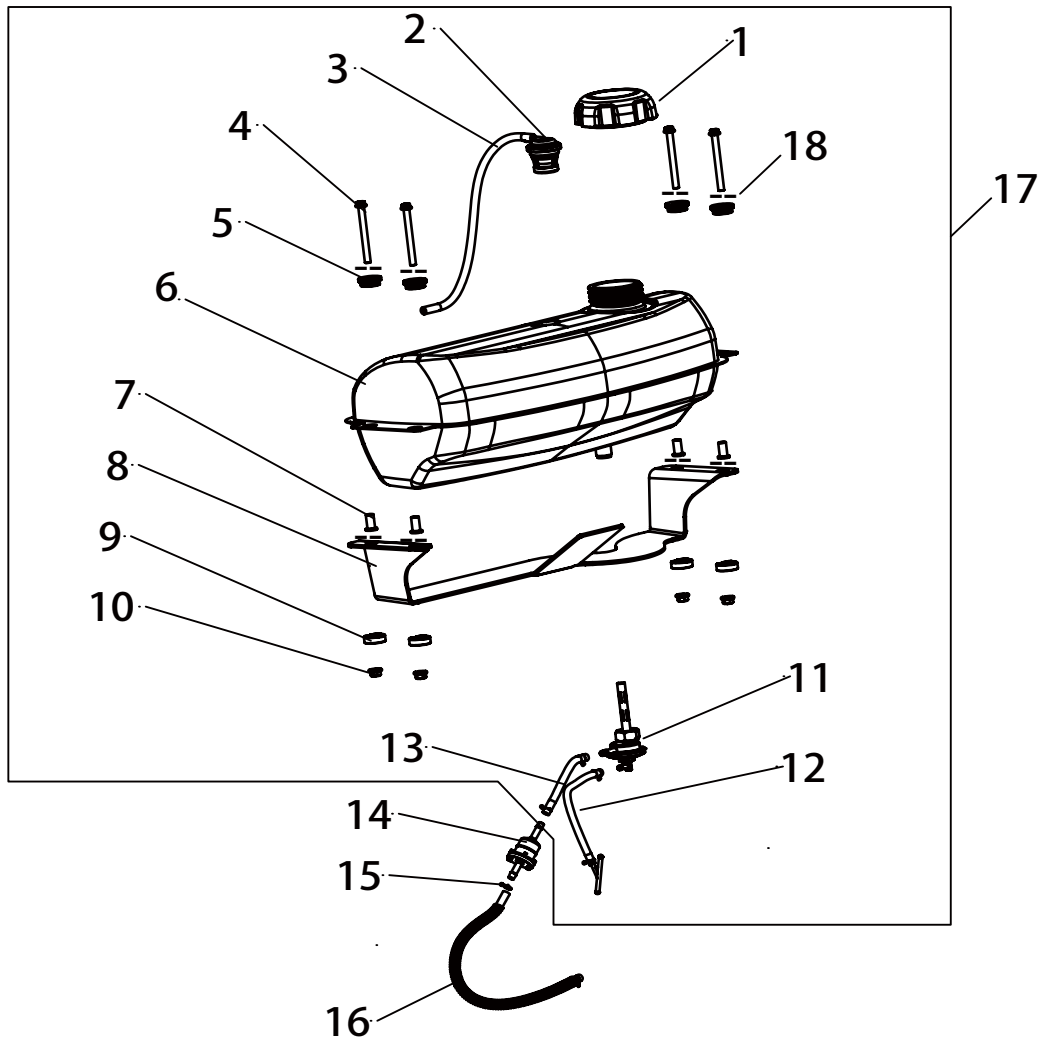
Air Filter Assembly			
<u>Ref #:</u>	<u>Part Number:</u>	<u>Description:</u>	<u>Quantity:</u>
1	9.108.016	Bolt m8x16	2
2	6.000.151	Air Filter	1
3	003-050016-00	Pan Screw m5x16	5
4	13-1602-01	Air Filter Box Assembly	1

OIL COOLER ASSEMBLY



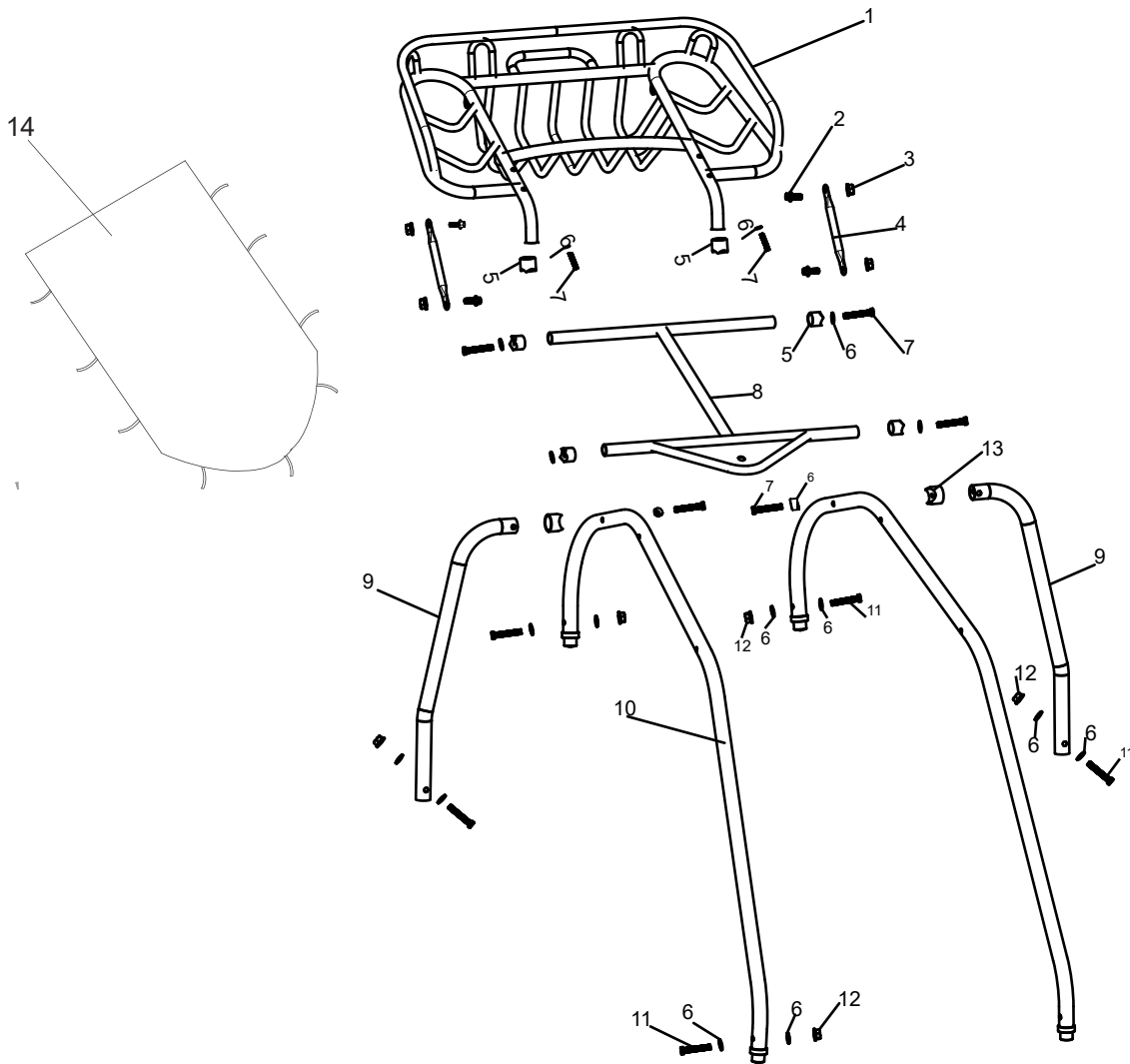
Oil Cooler Assembly			
<u>Ref #:</u>	<u>Part Number:</u>	<u>Description:</u>	<u>Quantity:</u>
1	6.000.216	Long Oil Hose	1
2	6.000.217	Short Oil Hose	1
4	8.010.149	Banjo Bolt	4
5	8.020.178	Crush Washer	8
6	9.108.075	Bolt m8x75	1
8	6.000.218	Oil Filter	1
9	4.000.028	Oil Cooler Assembly	1

FUEL TANK ASSEMBLY



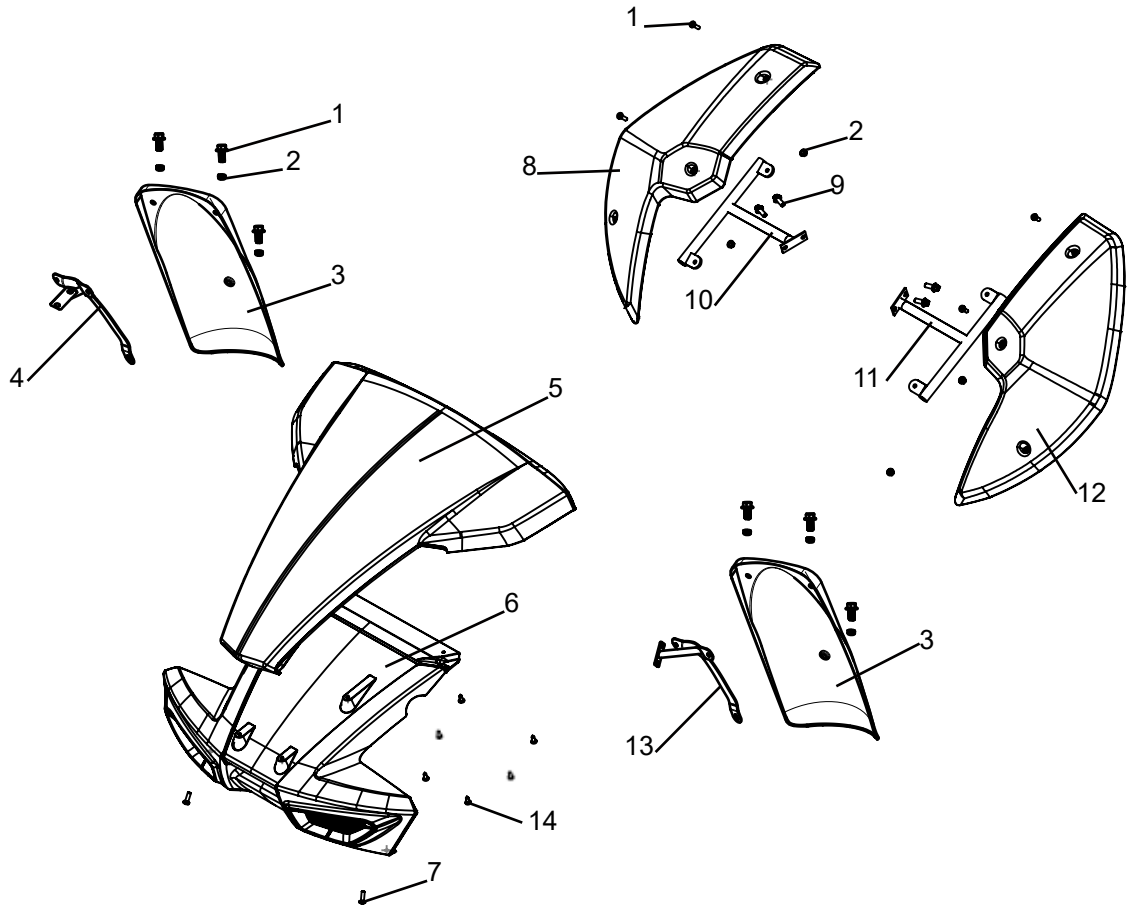
Ref #:	Part Number:	Fuel Tank Description:	Quantity:
1	201323003	Fuel Cap	1
2	201352001	Rollover Valve	1
3	7.020.027	Rubber Line (300mm)	1
4	9.106.065	Bolt, M6x65	4
5	7.020.011	Rubber Bushing	4
6	13-0629-01	Fuel Tank w/rollover port	1
7	8.010.035	Metal Collar	4
8	H5260071	Fuel Tank Cradle	1
9	7.010.049	R-Washer	4
10	9.220.006	Lock Nut M6	4
11	6.000.046	Vacuum Fuel Valve	1
12	7.020.028	Vacuum Tube	1
13	7.020.030	Fuel Tube #1	1
14	6.000.056	Fuel Filter	1
15	8.040.009	Fuel Clip	8
16	7.020.029	Fuel Tube #2	1
17	99-1300-01	Fuel Tank Kit w/Rollover Valve	1
18	9.300.006	Flat Washer	8

FRAME COMPONENTS, BRUSH GUARDS



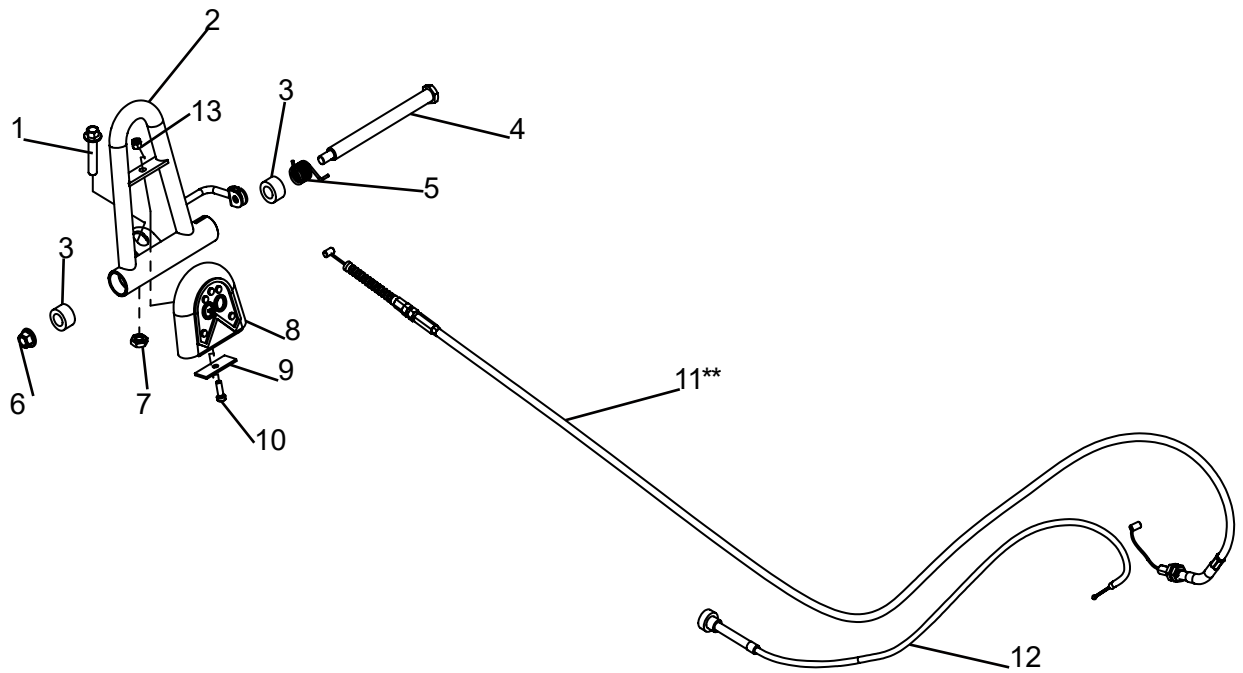
Frame Components, Brush Guards			
<u>Ref #:</u>	<u>Part Number:</u>	<u>Description:</u>	<u>Quantity:</u>
1	2.000.061-FB	Rear Cargo Rack - Flat Black	1
2	9.108.020	Bolt m8x20	4
3	9.220.008	Lock Nut m8	4
4	8.080.051-FB	Rear Cargo Rack Support Arm - Flat Black	2
5	7.010.017	Plastic Tube Seat 25	6
6	7.010.049	R-Washer	20
7	9.108.050	Bolt m8x50	8
8	13-0101-00-FB	Brush Guard Top Cross Bar - Flat Black	1
9	13-0103-00-FB	Brush Guard Side Arm Bar - Flat Black	2
10	13-0102-00-FB	Brush Guard Long Bar - Flat Black	2
11	9.108.055	Bolt m8x55	6
12	9.220.008	Lock Nut m8	6
13	7.010.016	Tube Seat 32	2
14	13-0801-00	Bikini Top	1

PLASTIC COMPONENTS



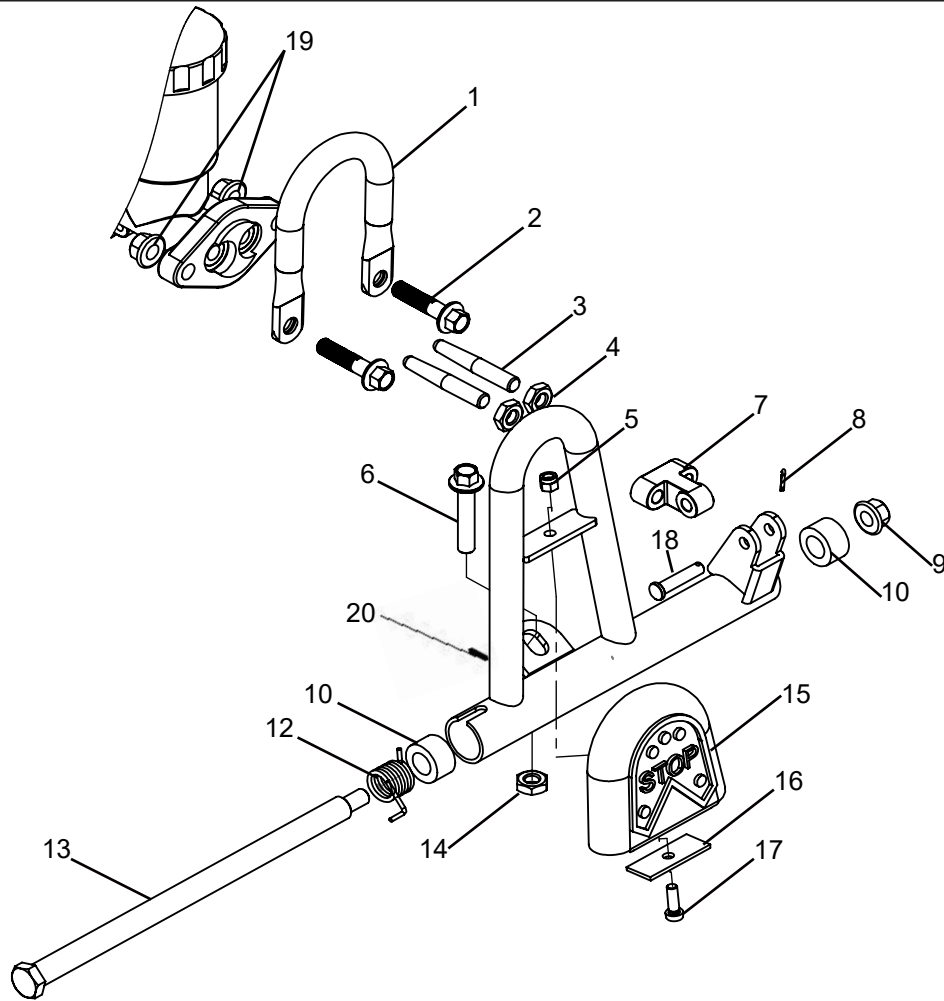
Plastic Components			
<u>Ref #:</u>	<u>Part Number:</u>	<u>Description:</u>	<u>Quantity:</u>
1	9.106.016	Bolt m6x16	10
2	9.220.006	Lock Nut m6	10
3	7.010.034-SS	Front Fender	2
4	13-0625-01R	Right Front Fender Bracket	1
5	13-0201-00-(color code)	Front Upper Hood (-Red, FB, BL, ORG, CM)	1
6	13-0202-03-FB	Front Lower Hood	1
7	003-060015-00	Large Head Pan Screw m6x15	4
8	13-0204-00R-(color code)	Right Rear Fender (-Red, FB, BL, ORG, CM)	1
9	9.106.014	Bolt m6x14	8
10	13-0601-01R	Right Rear Fender Bracket	1
11	13-0601-01L	Left Rear Fender Bracket	1
12	13-0204-00L-(color code)	Left Rear Fender (-Red, FB, BL, ORG, CM)	1
13	13-0625-01L	Left Front Fender Bracket	1
14	003-050016-00	Pan Screw m5x16	6

GAS PEDAL ASSEMBLY & CABLES



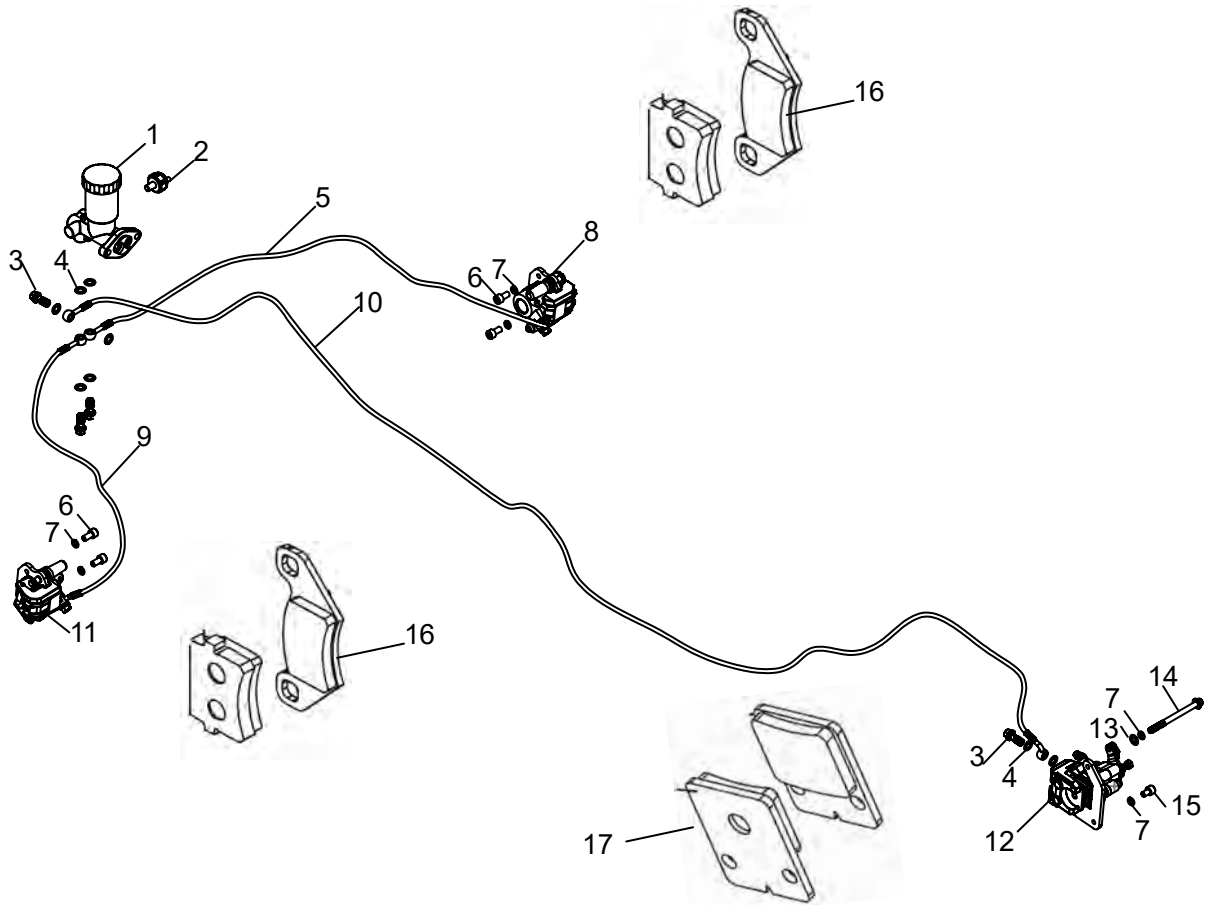
Gas Pedal Assembly and Cables			
<u>Ref #:</u>	<u>Part Number:</u>	<u>Description:</u>	<u>Quantity:</u>
1	9.108.040	Bolt m8x10	1
2	4.000.016	Throttle Pedal	1
3	7.010.004	Bushing	2
4	9.708.145	Throttle Pedal Bolt	1
5	8.040.001	Throttle Pedal Return Spring	1
6	9.220.008	Lock Nut m8	1
7	9.200.008	Nut m8	1
8	7.020.036	Throttle Pedal Pad	1
9	H5260067	Pedal Pad Plate	1
10	9.600.515	Pan Screw m5x15	1
11**	6.000.232	Throttle Cable (ended MY22)	1
11**	H7080035	Throttle Cable (MY23-current)	1
12	13-0705-00	Choke Cable	1
13	9.200.005	Nut m5	1

BRAKE PEDAL ASSEMBLY



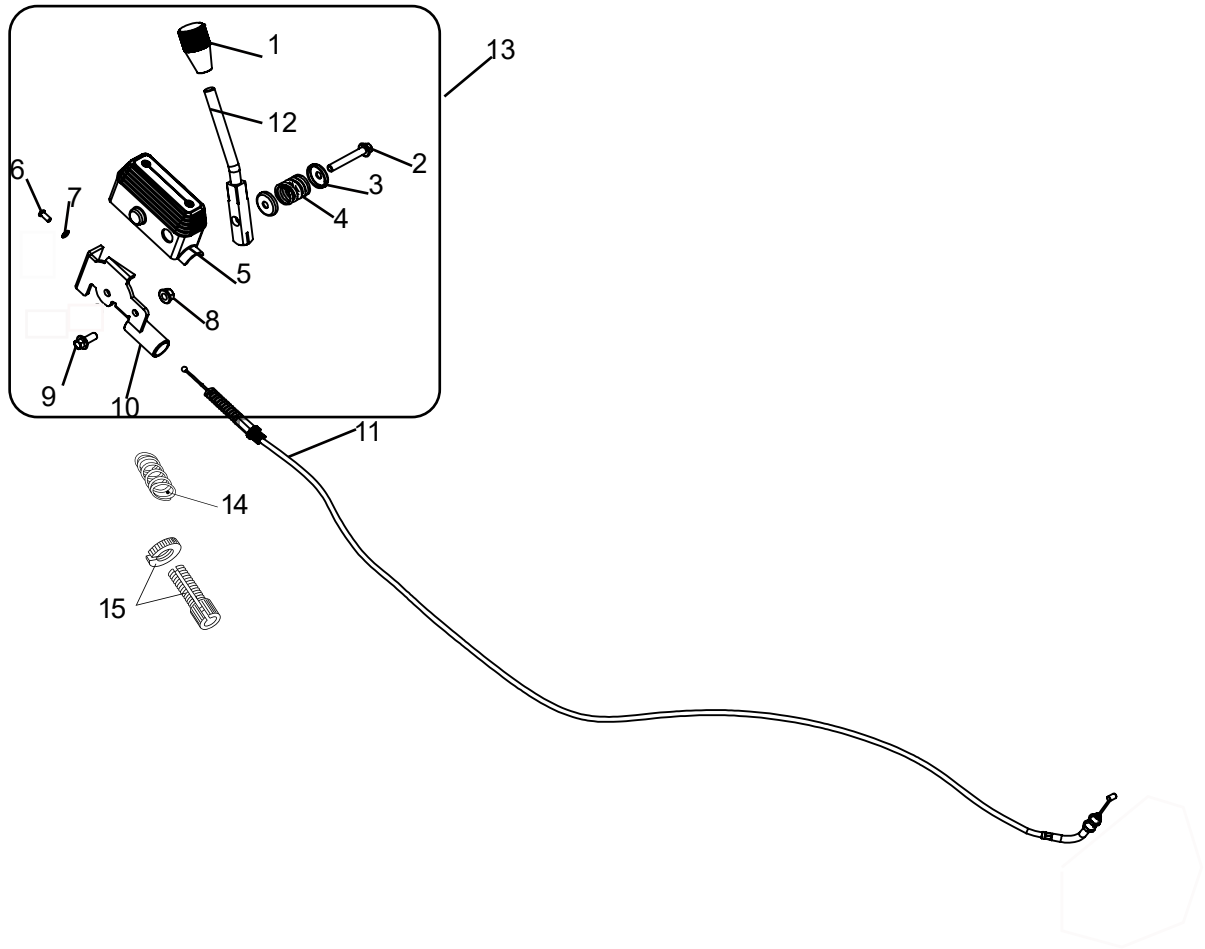
Brake Pedal Assembly			
Ref #:	Part Number:	Description:	Quantity:
1	8.070.044	Master Cylinder Protector	1
2	9.108.035	Bolt m8x35	2
3	8.010.081	Spindle Pin	2
4	9.200.008	Nut m8	2
5	9.200.005	Nut m5	1
6	9.108.040	Bolt m8x40	1
7	8.030.024	Spindle Bracket	1
8	9.500.212	Cotter Pin 2x12	1
9	9.220.008	Lock Nut m8	1
10	7.010.004	Bushing	2
12	8.040.007	Brake Pedal Return Spring	1
13	9.708.222	Brake Pedal Bolt m8x222	1
14	9.200.008	Nut m8	1
15	7.020.037	Brake Pedal Pad	1
16	H5260067	Pedal Pad Plate	1
17	9.600.515	Pan Screw m5x15	1
18	9.700.624	Pin 6x24	1
19	9.220.008	Lock Nut m8	2
20	4.000.015	Brake Pedal	1

BRAKE SYSTEM



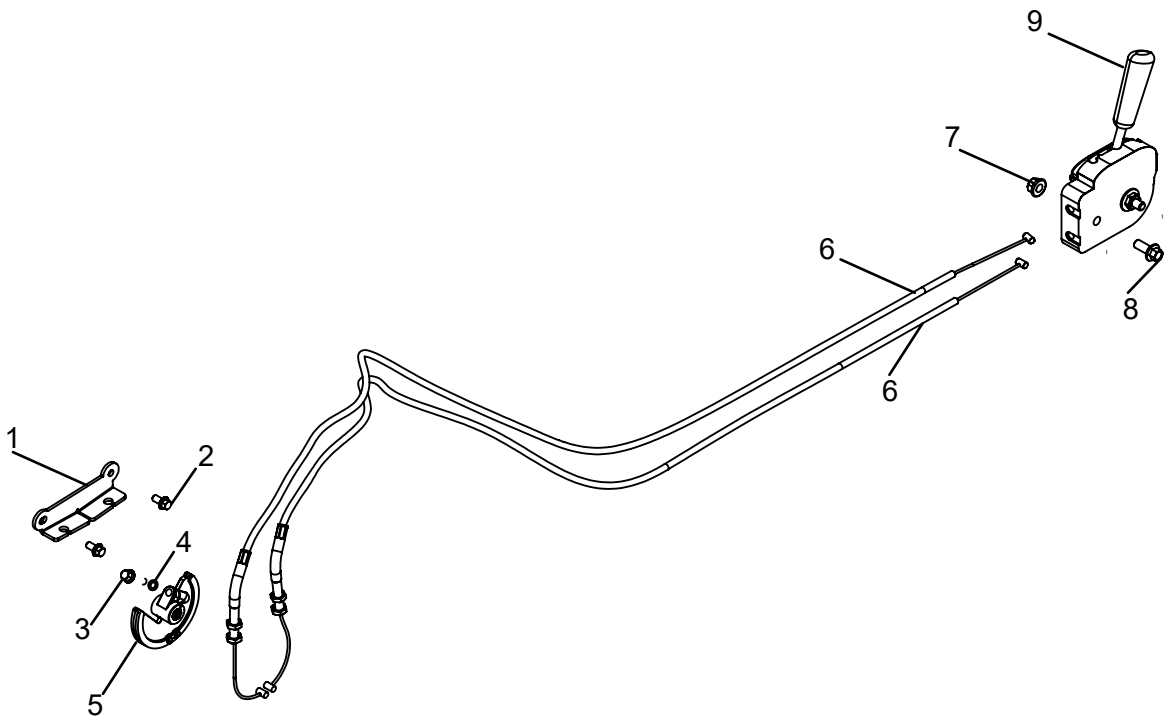
Ref #:	Part Number:	Brake System Description:	Quantity:
1	6.000.076	Brake Master Cylinder Assembly	1
2	6.000.063	Brake light Switch	1
3	9.700.004	Banjo Bolt m10x24	6
4	13-1422-00	Copper Crush Washer	12
5	6.000.090	Brake Hose 43"	1
6	9.908.014	Allen Head Bolt m8x14	4
7	9.400.008	Lock Washer 8	6
8	6.000.095	Right Front Brake Caliper	1
9	6.000.089	Brake Hose 34"	1
10	6.000.091	Brake Hose 75"	1
11	6.000.028	Left Front Brake Caliper	1
12	6.000.229	Rear Brake Caliper	1
13	9.300.008	Flat Washer 8	1
14	9.108.100	Bolt m8x100	1
15	9.908.012	Allen Head Bolt m8x12	1
16	7.020.016	Front Brake Pad Set	2
17	7.020.022	Rear Brake Pad Set	1

PARKING BRAKE ASSEMBLY



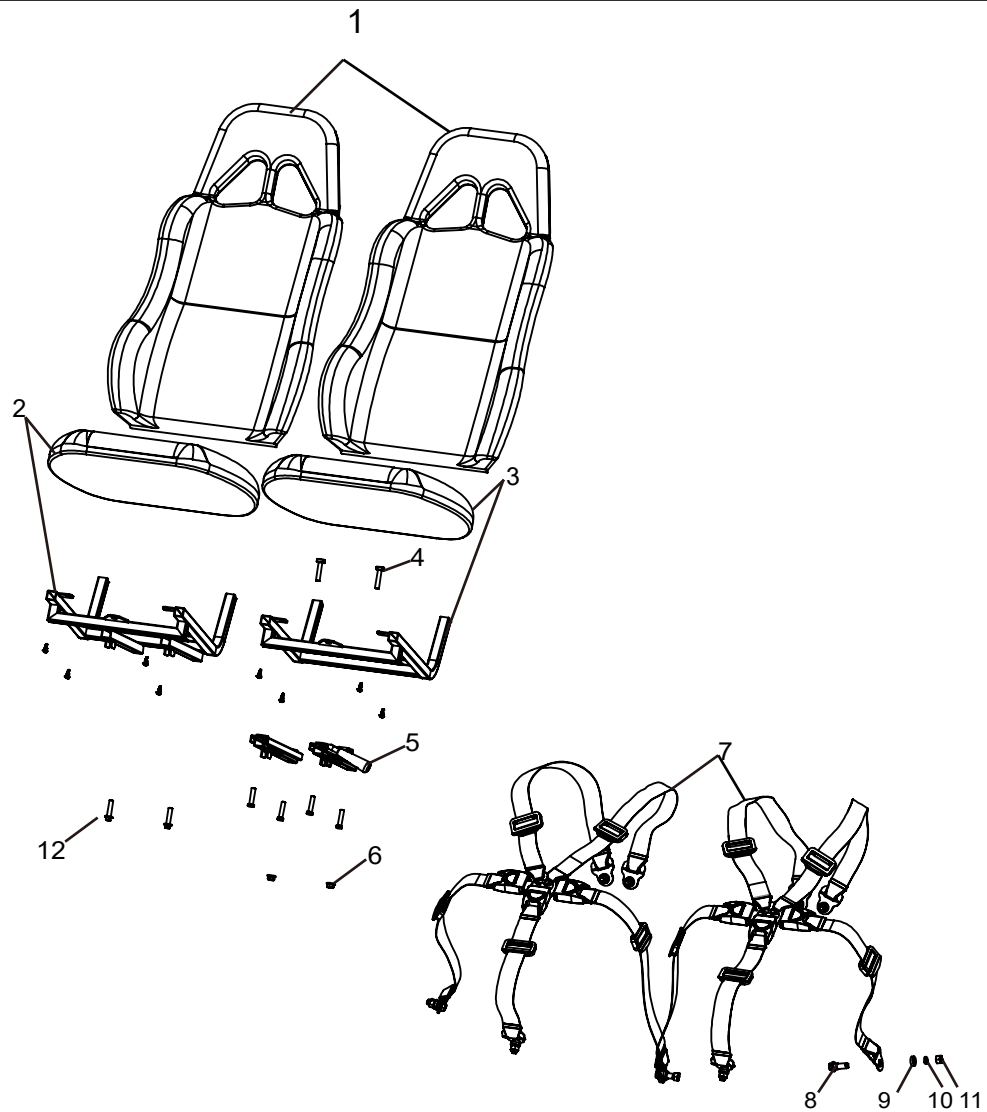
Parking Brake Assembly			
<u>Ref #:</u>	<u>Part Number:</u>	<u>Description:</u>	<u>Quantity:</u>
1	7.020.026	Rubber Knob	1
2	9.108.040	Bolt m8x40	1
3	8.020.082	Washer Spacer	2
4	8.040.003	Spring	1
5	7.020.024	Rubber Cover	1
6	9.600.512	Pan Screw m5x12	1
7	9.300.005	Flat Washer 5	1
8	9.220.008	Lock Nut m8	1
9	9.108.020	Bolt m8x20	1
10	6.000.064	Lever Bracket	1
11	6.000.050	Parking Brake Cable	1
12	6.000.065	Lever Rod	1
13	6.000.042	Parking Brake Handle Assembly	1
14	8.040.004	Cable Spring	1
15	6.000.051	Cable Adjusting Bolt	1

SHIFTER / SHIFTER CABLES



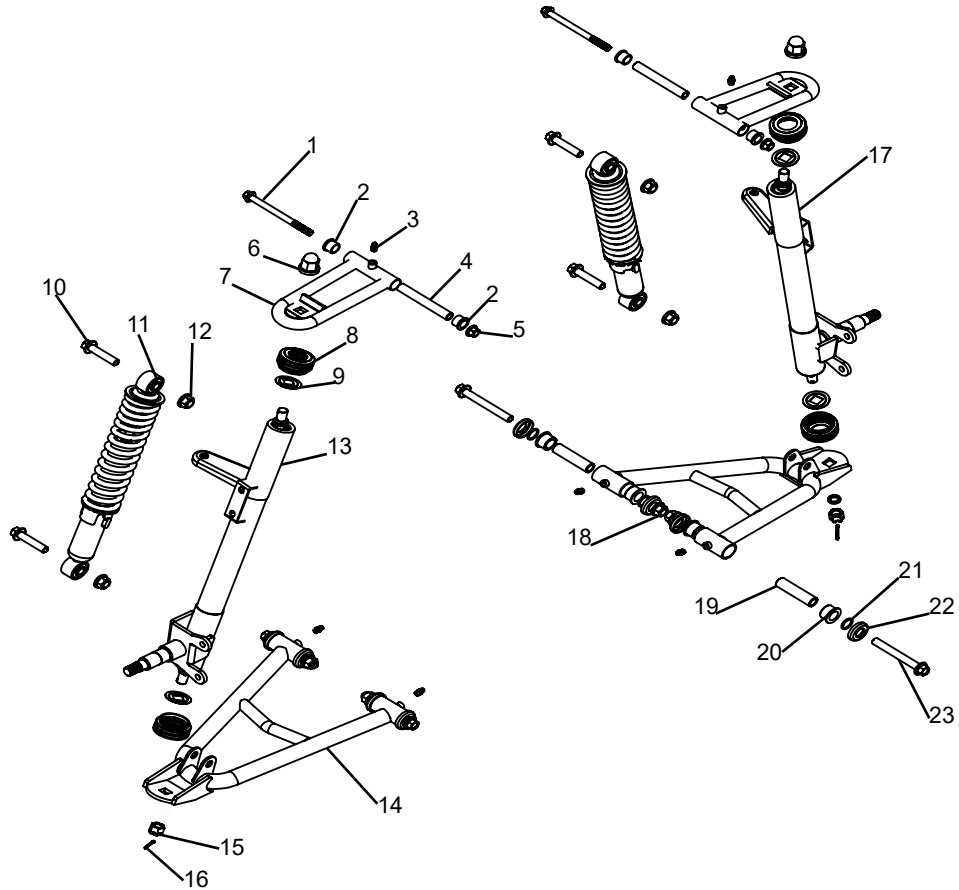
Shifter / Shifter Cables			
<u>Ref #:</u>	<u>Part Number:</u>	<u>Description:</u>	<u>Quantity:</u>
1	14473	Shift Cable Bracket	1
2	9.106.014	Bolt m6x14	2
3	9.106.020	Bolt m6x20	1
4	9.400.006	Lock Washer 6	1
5	14750	Shift Disc	1
6	14456	Shift Cable	2
7	9.220.008	Lock Nut m8	1
8	9.108.020	Bolt m8x20	1
9	14478	Shifter Assembly	1

SEAT ASSEMBLY



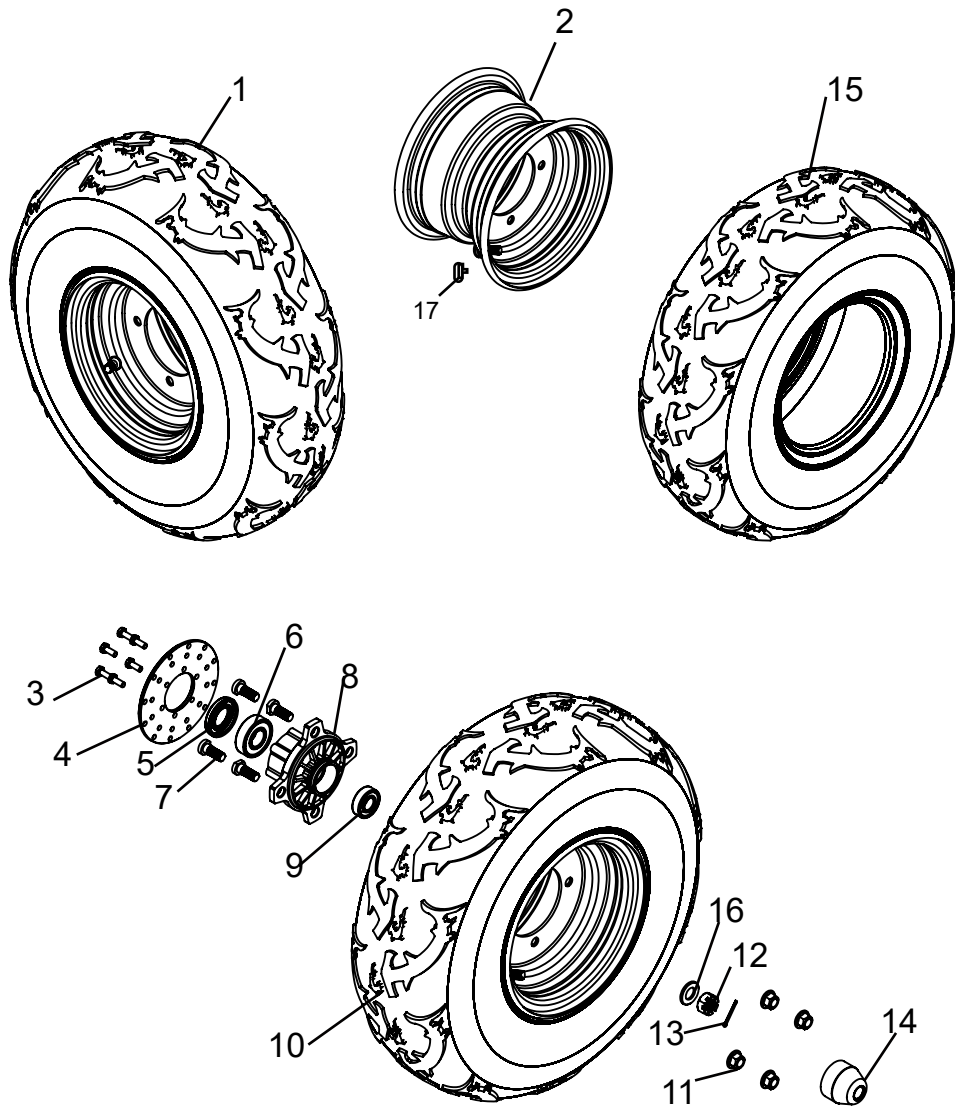
<u>Ref #:</u>	<u>Part Number:</u>	<u>Seat Assembly</u> <u>Description:</u>	<u>Quantity:</u>
1	13-0401-01	Seat Back	2
2	13-0401-01R	Right Seat Bottom (passenger)	1
3	13-0401-01L	Left Seat Bottom (driver)	1
4	9.900.840	Seat Rail Bolt	2
5	6.000.057	Seat Rail Set	1
6	9.220.008	Lock Nut m8	2
7	6.000.354	Safety Belt Set	1
8	9.700.001	Special Safety Belt Bolt 7/16	9
9	9.700.002	Special Safety Belt Washer 7/16	9
10	9.700.005	Special Safety Belt Lock Washer 7/16	9
11	9.700.003	Special Safety Belt Nut 7/16	9
12	9.108.040	Bolt m8x40	2

FRONT SUSPENSION



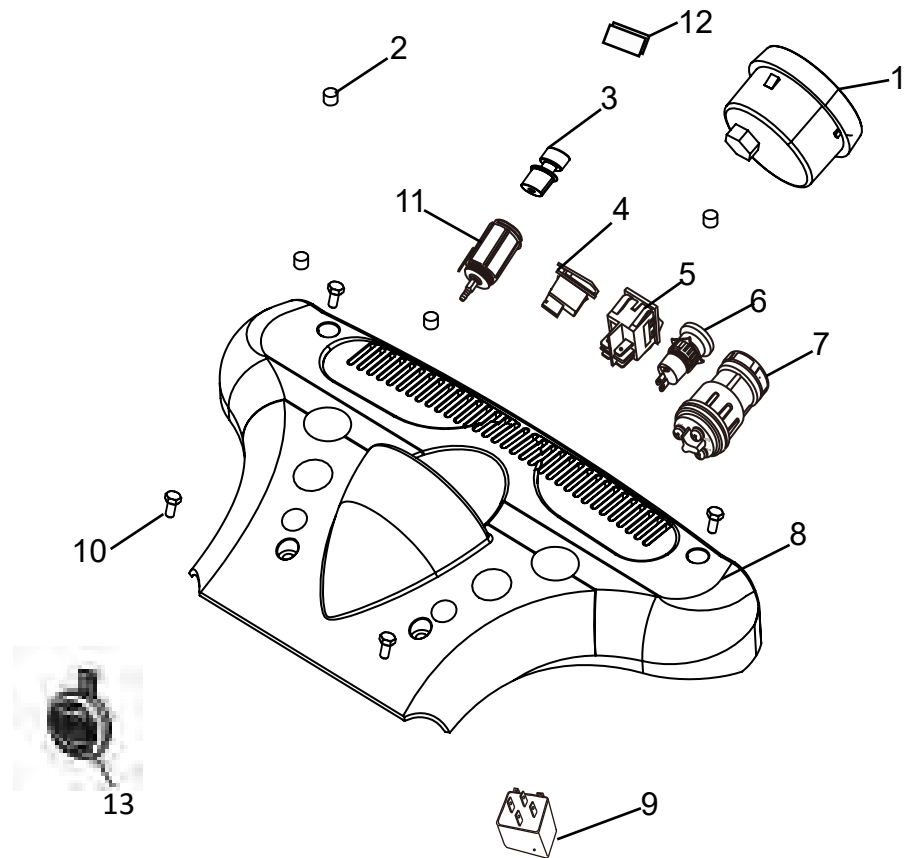
Front Suspension			
Ref #:	Part Number:	Description:	Quantity:
1	9.108.105	Bolt m8x105	2
2	7.010.003	Nylon Bushing, Upper Suspension Arm	4
3	7082290	Grease Zert	6
4	8.010.015	Collar, Upper Suspension Arm	2
5	9.220.008	Lock Nut m8	2
6	8.010.140	Acorn Nut m12	2
7	4.000.004-SLV	Upper Suspension Arm (silver)	2
8	7.020.025	Ball Head Dust Cover	4
9	8.020.053	Ball Head Spacer	4
10	9.110.040	Bolt m10x40	4
11	6.000.325	Front Shock	2
12	9.220.010	Lock Nut m10	4
13	13-1515-00L	Left Front Strut and Spindle	1
14	4.000.023-SLV	Lower Suspension Arm (silver)	2
15	9.800.012	Castle Nut m12	2
16	9.500.200	Cotter Pin	2
17	13-1515-00R	Right Front Strut and Spindle	1
18	9.220.010	Lock Nut m10	4
19	8.010.014	Collar, Lower Suspension Arm 13.5mm	4
20	7.010.002	Nylon Bushing, Lower Suspension Arm 59mm	8
21	9.040.001	O-Ring 21.2x2.65	8
22	8.020.034	Lower Suspension Arm Washer	8
23	9.110.080	Bolt m10x80	4

FRONT WHEEL ASSEMBLY



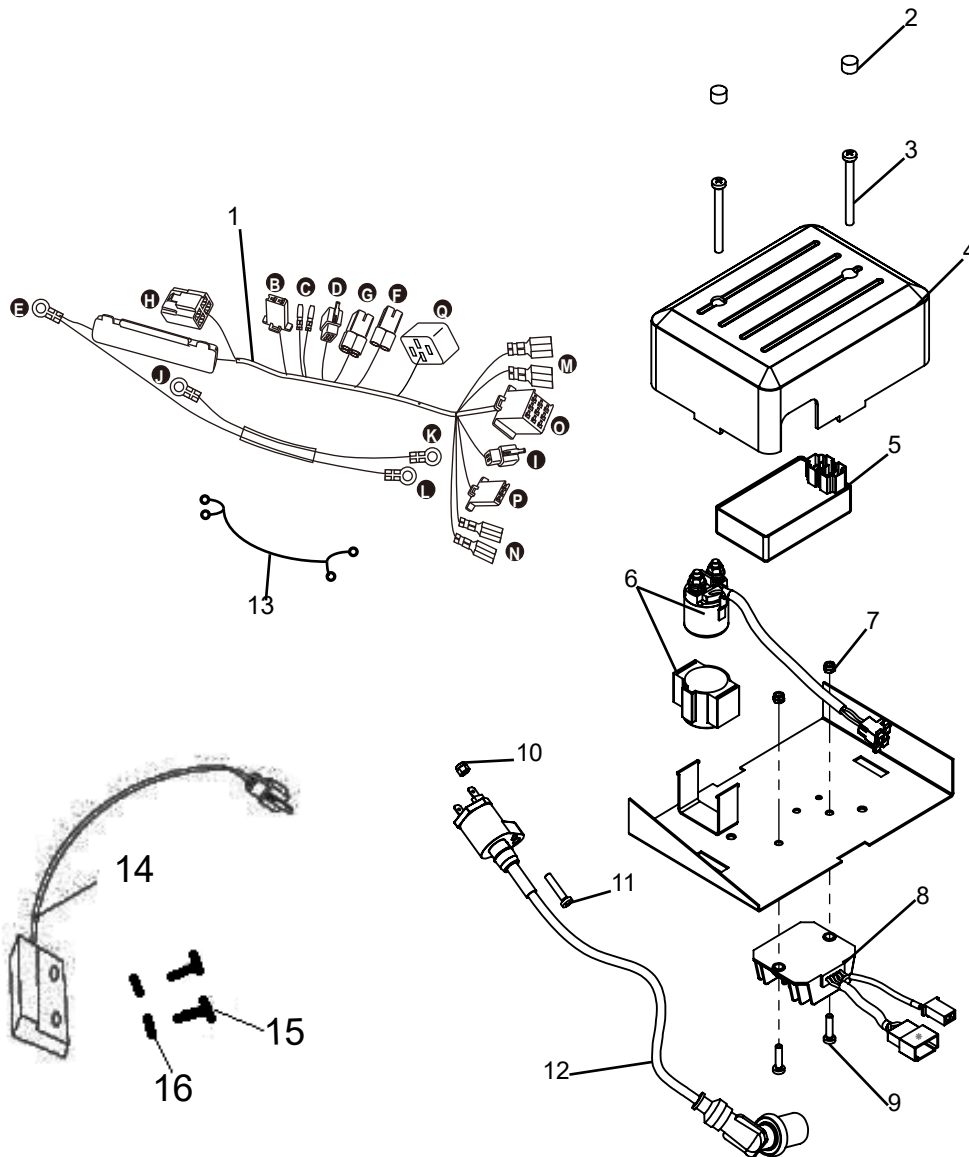
Front Wheel Assembly			
<u>Ref #:</u>	<u>Part Number:</u>	<u>Description:</u>	<u>Quantity:</u>
1	13-0903-01	Right Front Tire/Wheel Assembly	1
2	002-100080-03	8" Steel Front Wheel (black)	2
3	H7510035	Bolt m6x12	6
4	8.010.054	Front Brake Disc	2
5	9.040.002	Dust Seal 47x25-7	2
6	9.030.002	Bearing 6204-Z	2
7	9.710.031	Wheel Stud m10x31	8
8	8.010.085B	Front Wheel Hub (black)	2
9	9.030.010	Bearing 6202-Z	2
10	13-0901-01	Left Front Tire/Wheel Assembly	1
11	9.220.010	Lock Nut m10	8
12	9.800.014	Castle Nut m14	2
13	9.500.220	Cotter Pin 2x20	2
14	7.020.039	Rubber Hub Dust Cover	2
15	001-190708-01	Front Tire 19x7-8 HH Tread	2
16	9.300.014	Washer	2
17	9.300.014	Valve Stem	2

DASH PANEL



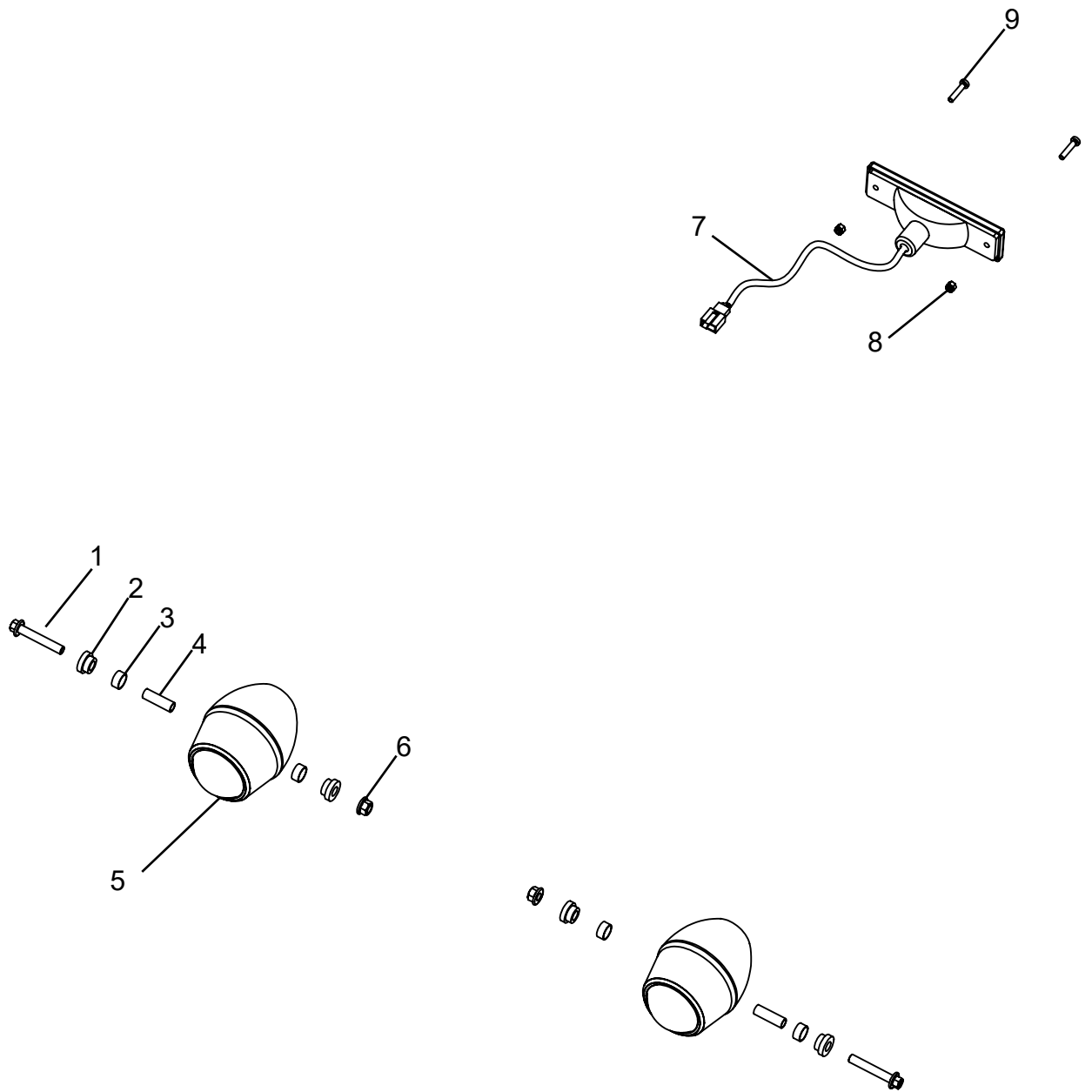
Dash Panel			
<u>Ref #:</u>	<u>Part Number:</u>	<u>Description:</u>	<u>Quantity:</u>
1	13-0305-00	Digital Speedometer	1
2	7.010.061	Rubber Screw Cover	4
3	7.020.051	Rubber Power Outlet Plug	1
4	6.000.079	Horn Button	1
5	6.000.058	Headlight Switch	1
6	6.000.159	Engine Kill Button	1
7	6.000.158	Ignition Key Switch	1
8	7.110.038	Plastic Dash Panel	1
9	6.000.072	Control Relay	1
10	9.600.615	Screw M6x15	4
11	6.000.087	12v Power Outlet	1
12	13-0508-00	Rubber Plug	1
13	6.000.135	Horn	1

ELECTRICAL COMPONENTS AND COVER



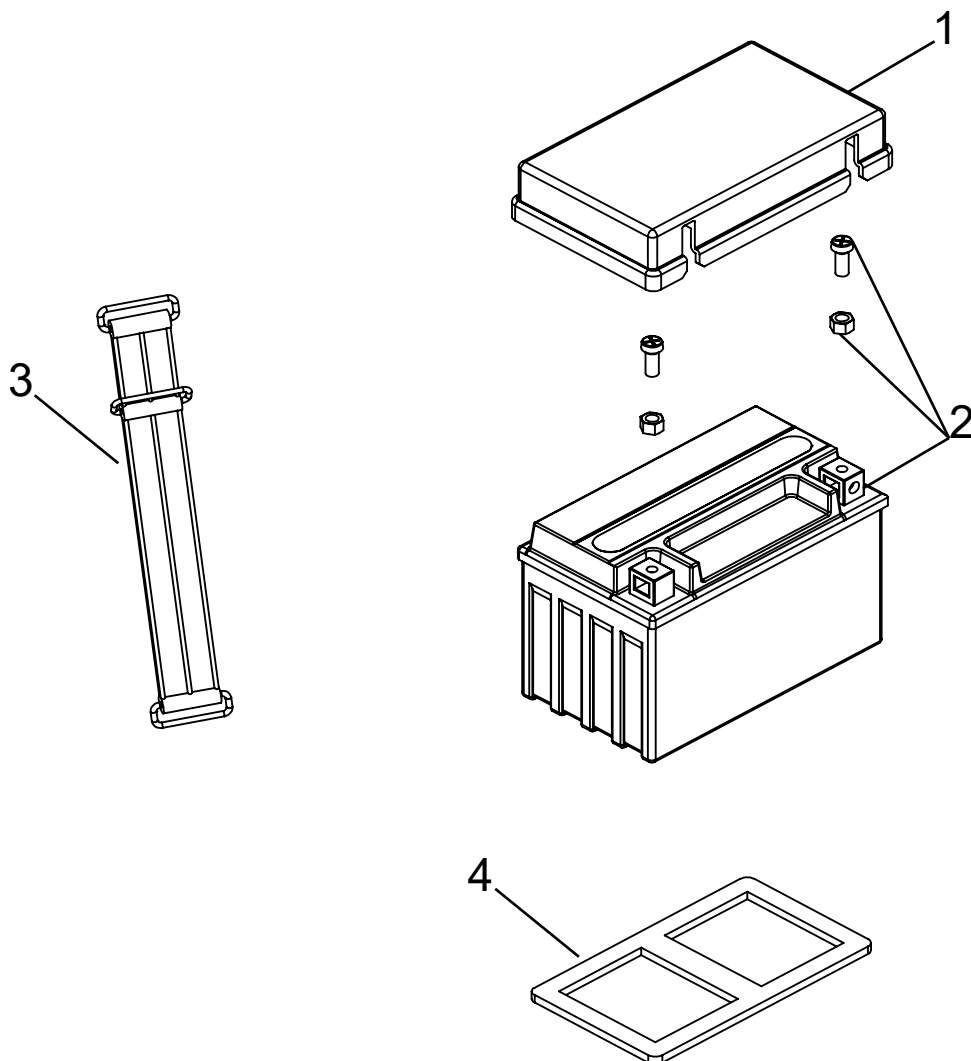
<u>Ref #:</u>	<u>Part Number:</u>	<u>Electrical Components and Cover</u>	<u>Description:</u>	<u>Quantity:</u>
1	13-0303-02	Wiring Harness		1
2	7.010.061	Rubber Screw Cover		2
3	9.600.655	Pan Screw m6x65		2
4	7.010.029	Electrical Cover		1
5	13-0322-00	CDI (7500)		1
6	6.000.035	Starter Relay		1
7	9.220.006	Lock Nut m6		2
8	6.000.124-GTS	Regulator/Rectifier		1
9	9.106.016	Bolt m6x25		2
10	9.220.006	Lock Nut m6		1
11	9.106.025	Bolt m6x25		1
12	6.000.126	Ignition Coil with Plug Wire		1
13	6.000.204	Positive and Negative Battery Cable		1
14	6.000.268	Speedometer Sensor		1
15	H7510045	Screw, m3x10		2
16	12.026.027	Nut, m3		2

HEADLIGHTS AND TAILLIGHT



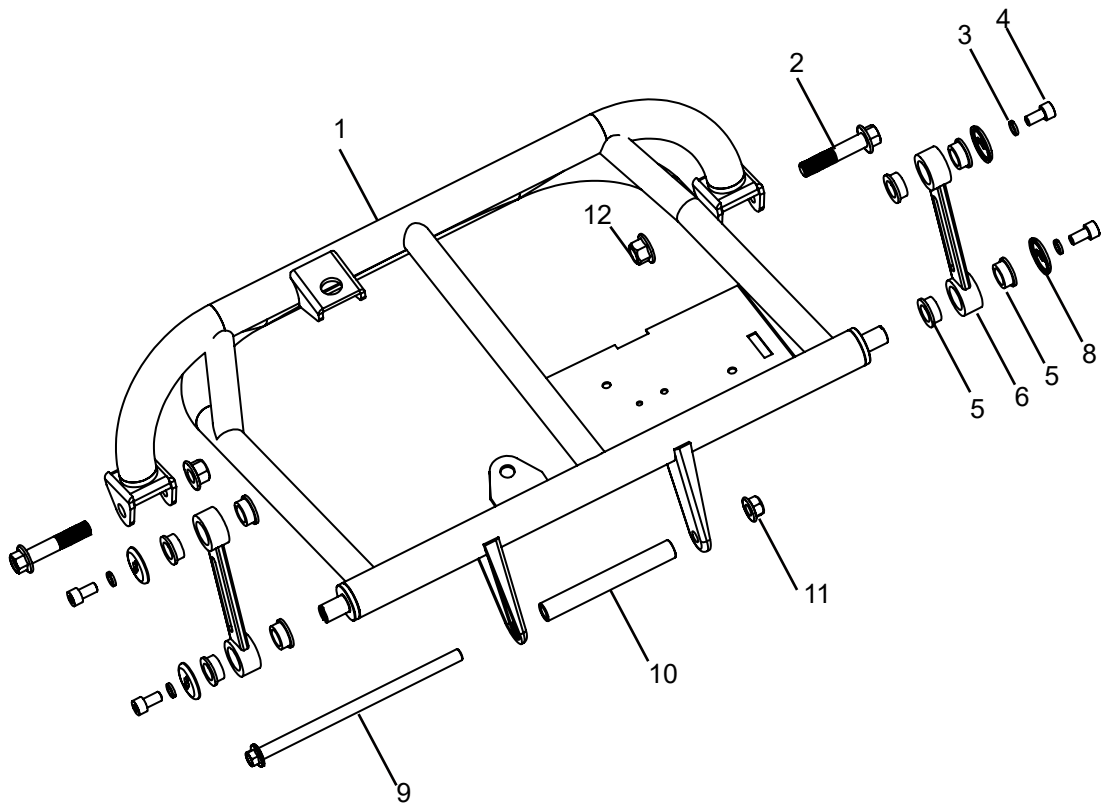
Headlights and Taillight			
<u>Ref #:</u>	<u>Part Number:</u>	<u>Description:</u>	<u>Quantity:</u>
1	9.108.050	Bolt m8x50	2
2	7.020.049	Rubber Mount	4
3	8.010.049	Headlight Spacer	2
4	8.010.048	Headlight Collar	2
5	13-0206-00	Headlight	2
6	9.220.008	Lock Nut m8	2
7	201029004	LED Rear Taillight	1
8	9.200.005	Nut m5	2
9	9.600.520	Pan Screw m5x20	2

BATTERY



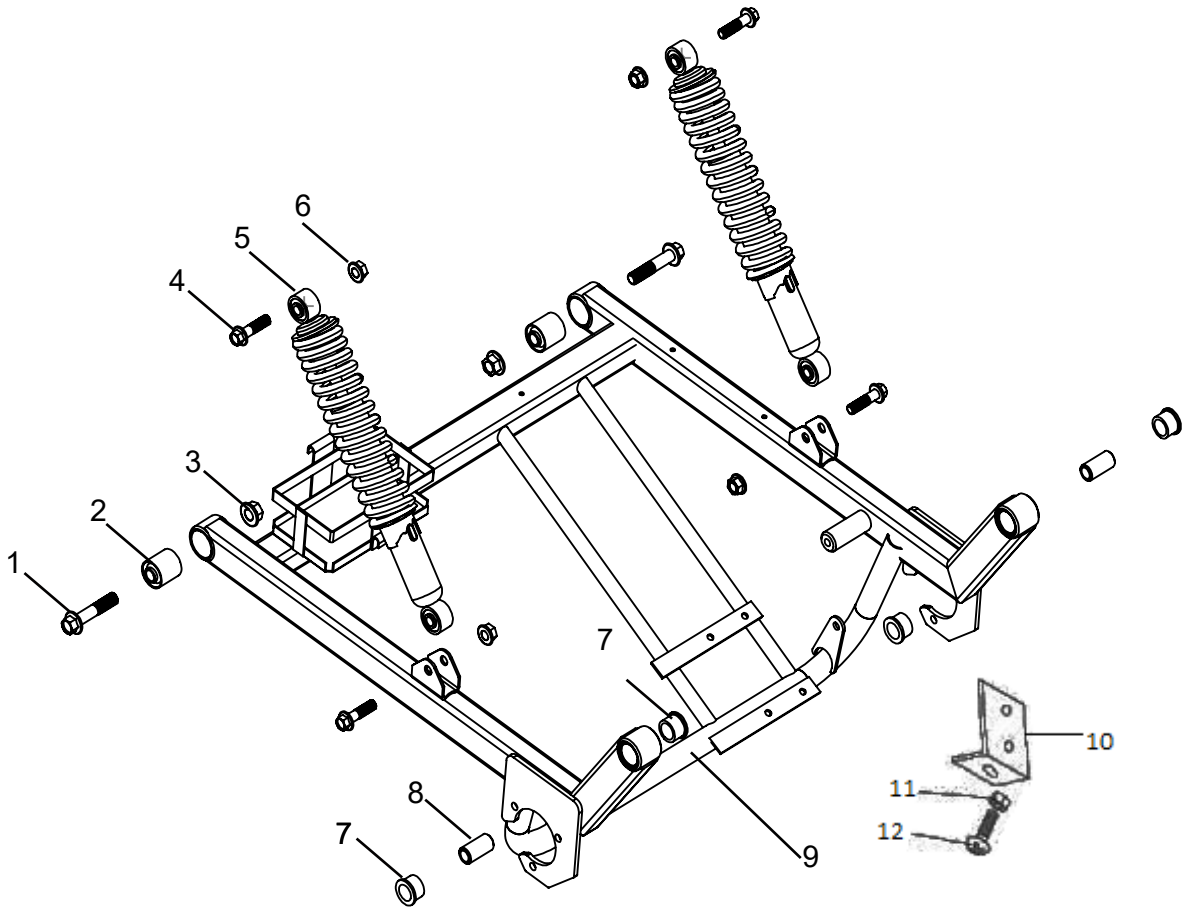
<u>Ref #:</u>	<u>Part Number:</u>	Battery <u>Description:</u>	<u>Quantity:</u>
1	7.010.028	Plastic Battery Cover	1
2	6.000.055	Battery GTX9-BX	1
3	7.020.023	Rubber Battery Band	1
4	7.020.020	Lower Battery Cushion	1

UPPER SWINGARM



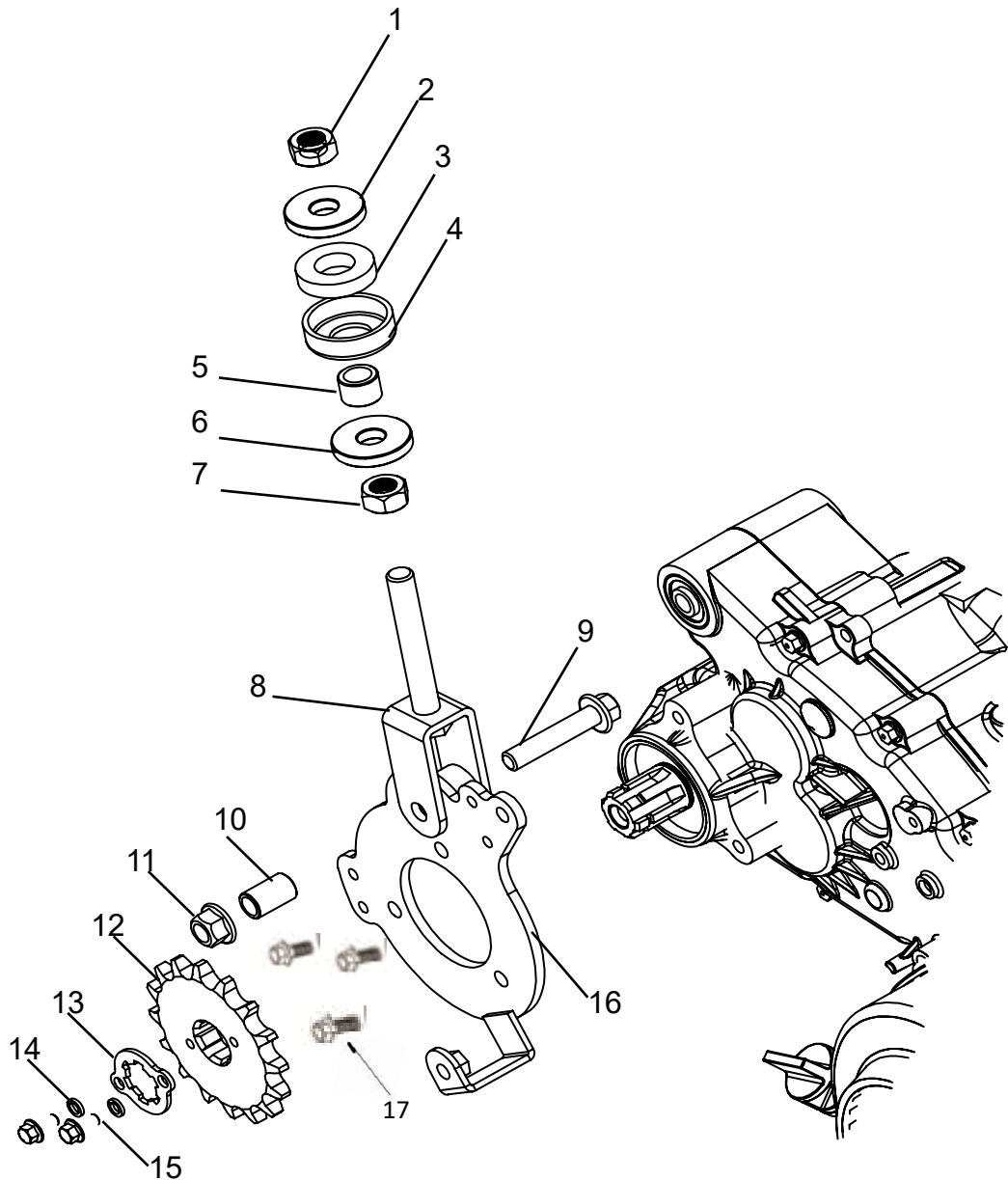
Upper Swing Arm			
Ref #:	Part Number:	Description:	Quantity:
1	2.000.062	Upper Swing Arm	1
2	9.112.060	Bolt m12x60	2
3	9.400.008	Lock Washer 8	4
4	9.908.016	Allen Bolt m8x16	4
5	7.010.008	Bushing	8
6	8.030.001	Swing Arm Dog Bone	2
8	8.020.013	Washer Plate	4
9	9.110.195	Bolt m10x195	1
10	8.010.025	Engine Mount Collar	1
11	9.220.010	Lock Nut m10	1
12	9.220.012	Lock Nut m12	2

LOWER SWINGARM



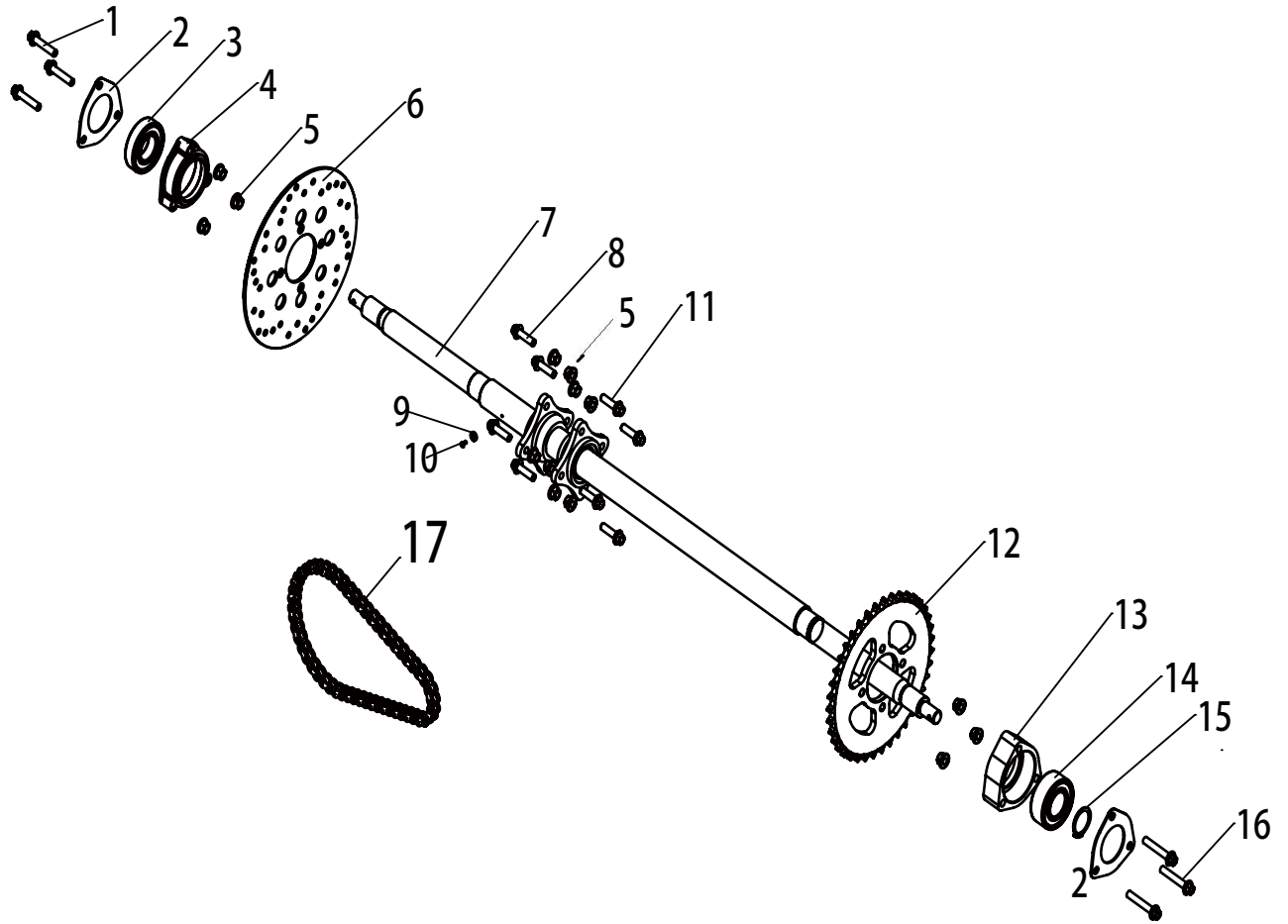
<u>Ref #:</u>	<u>Part Number:</u>	<u>Lower Swingarm</u> <u>Description:</u>	<u>Quantity:</u>
1	9.112.060	Bolt m12x60	2
2	7.020.008	Swing Arm Bushing	2
3	9.220.012	Lock Nut m12	2
4	9.110.040	Bolt m10x40	4
5	6.000.006	Rear Shock	2
6	9.220.010	Lock Nut m10	4
7	7.010.006	Bushing	4
8	8.010.028	Collar	2
9	13-0626-01	Lower Swingarm With Oil Cooler Mount	1
10	8.020.197	Speed Sensor Bracket	1
11	9.220.006	Lock Nut m6	1
12	9.106.020	Flange Bolt m6x20	1

ENGINE HANGER



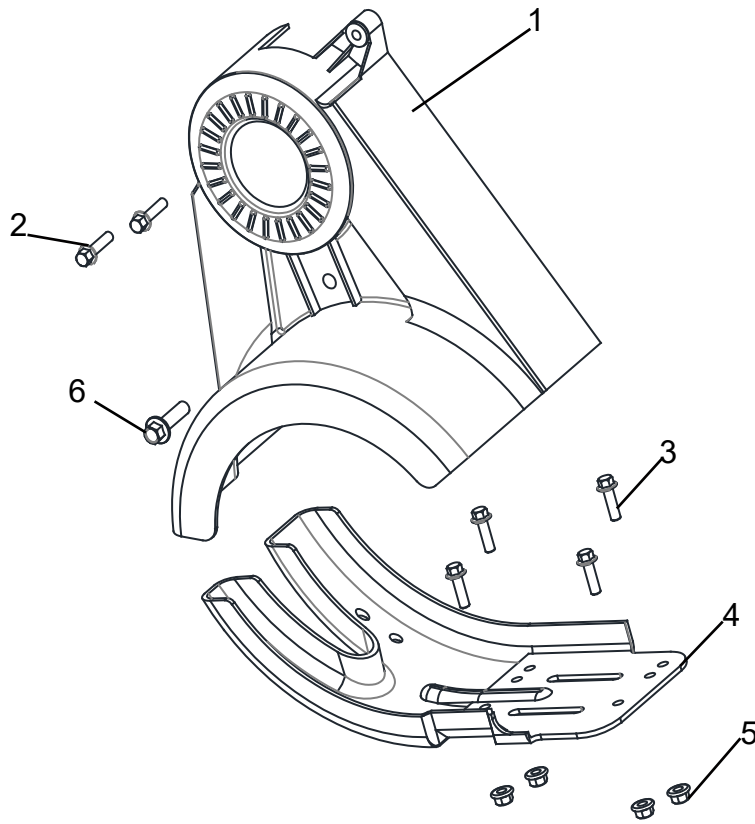
Ref #:	Part Number:	Engine Hanger Description:	Quantity:
1	9.220.012	Lock Nut m12	1
2	8.010.042	Washer, Engine Mount Link	1
3	7.020.001	Cushion, Engine Mount Link	1
4	8.020.045	Spacer Cup, Engine Mount Link	1
5	8.0100.41	Collar, Engine Mount Link	1
6	9.300.012	Flat Washer 12	1
7	9.200.012	Nut m12	1
8	205043043	Adjuster Rod, Engine Mount Link	1
9	9.110.045	Bolt m10x45	1
10	8.010.076	Adjuster Collar, Engine Mount Link	1
11	9.220.010	Lock Nut m10	1
12	14217	Engine Sprocket 16T 50P	1
13	14218	Sprocket Keeper	1
14	9.400.006	Lock Washer 6	2
15	9.106.012	Bolt m6x12	2
16	14480	Upper Chain Guard Bracket	1
17	9.108.016	Flange Bolt m8x1.25x16	3

REAR AXLE ASSEMBLY



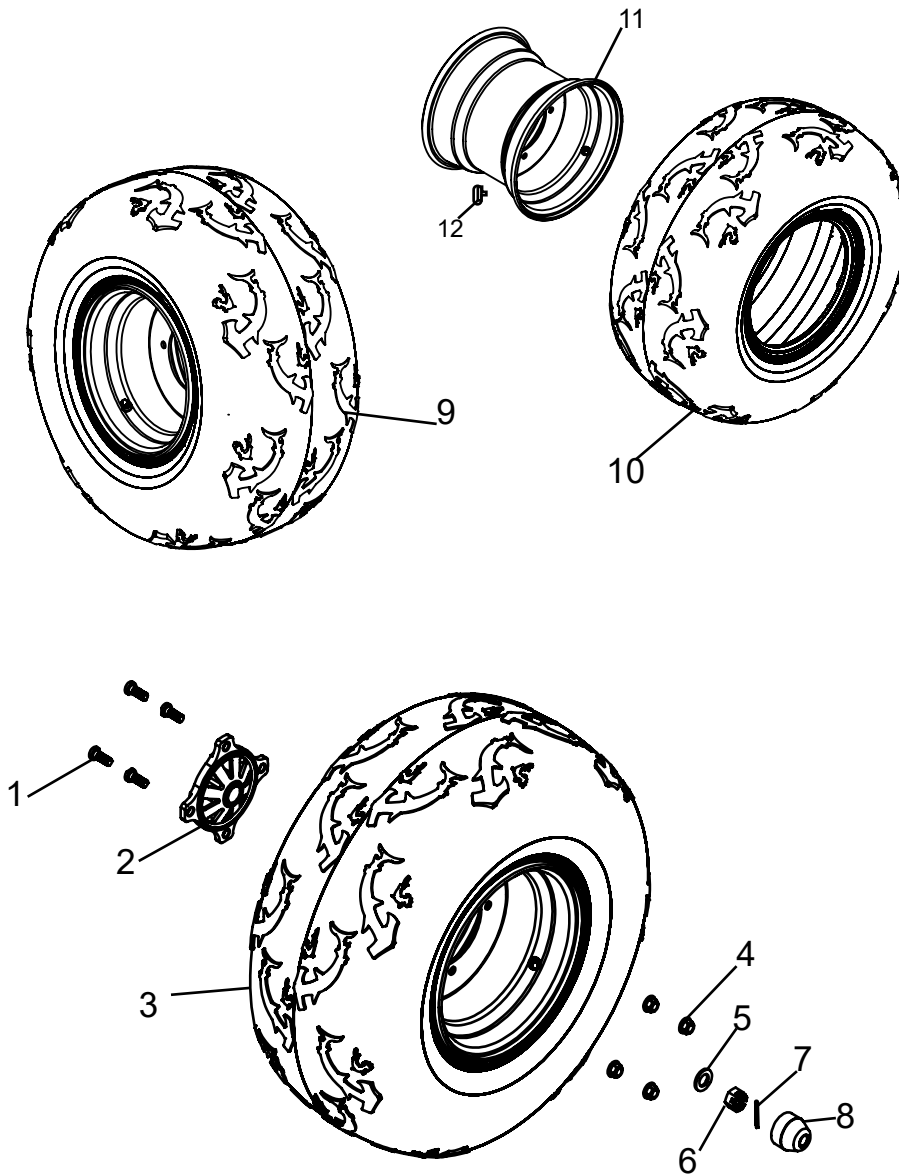
Rear Axle Assembly			
Ref #:	Part Number:	Description:	Quantity:
1	9.108.040	Flange Bolt m8x1.25x40	3
2	13-1519-01	Cover, Bearing Housing Base	2
3	010-62062-01	Sealed Bearing 6206-2RZ	1
4	8.030.033	Bearing Housing, Right Side Axle	1
5	9.220.008	Lock Nut M8	14
6	8.010.053	Brake Disc	1
7	13-1101-02	Rear Axle 41"	1
8	9.108.022	Bolt M8x22	4
9	7.050.001	Magnet	1
10	9.600.308	Pan Screw M6x8	1
11	9.108.027	Bolt M8x27	4
12	13-1110-00	Axle Sprocket 39T	1
13	13-1518-01	Bearing Housing, Left Side Axle	1
14	010-32062-01	Sealed Bearing 3206-2RZ	1
15	016-30020-01	Circlip 30x2.0, Axle Bearing	1
16	9.108.050	Flange Bolt m8x1.25x50	3
17	13-1103-00	Axle Drive Chain 530x56	1

CHAIN GUARD



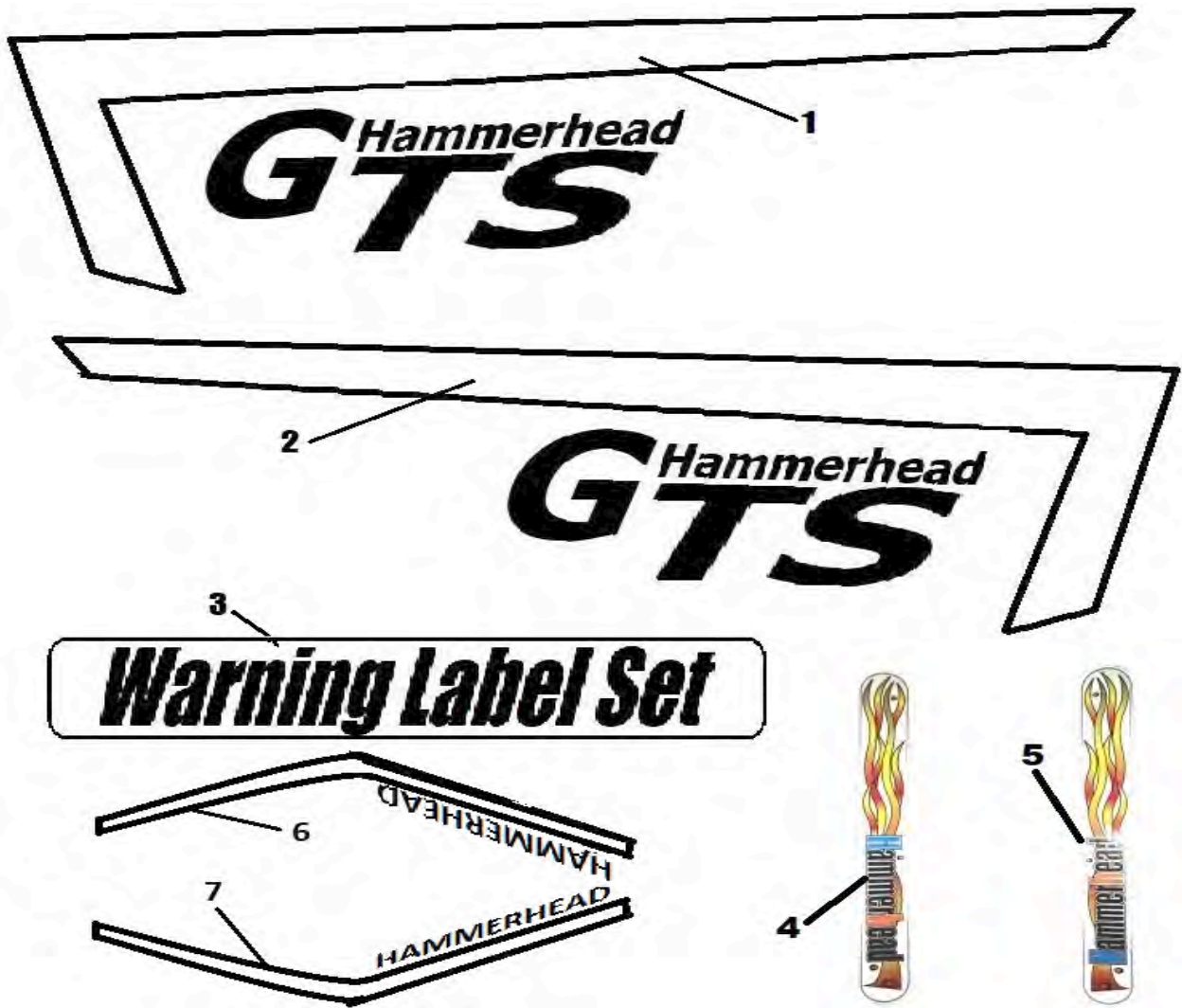
<u>Ref #:</u>	<u>Part Number:</u>	Chain Guard <u>Description:</u>	<u>Quantity:</u>
1	14188	Upper Chain Guard	1
2	9.106.014	Bolt m6x14	2
3	9.106.016	Bolt m6x16	4
4	14185	Lower Chain Guard	1
5	9.220.006	Lock Nut m6	4
6	9.108.016	Bolt m8x16	1

REAR TIRE ASSEMBLY



Rear Tire Assembly			
Ref #:	Part Number:	Description:	Quantity:
1	9.710.031	Wheel Stud m10x31	8
2	8.010.089B	Rear Wheel Axle Hub (black)	2
3	13-0902-01	Left Rear Tire/Wheel Assembly	1
4	9.220.010	Lock Nut m10	8
5	9.700.016	Flat Washer 16	2
6	9.800.016	Castle Nut m16	2
7	9.500.430	Cotter Pin 4x30	2
8	7.020.039	Rubber Hub Dust Cover	2
9	13-0904-01	Right Rear Tire/Wheel Assembly	1
10	001-221010-01	Rear Tire 22x10-10 HH Tread	2
11	002-100100-03	10" Steel Rear Wheel (black)	2
12	7.190.018	Valve Stem	2

Decals



Ref #:	Part Number:	Decals	
		Description:	Quantity:
1	13-1209-01L	Left Side Sticker	1
2	13-1209-01R	Right Side Sticker	1
3	13-1210-01	Warning Label Set	1
4	13-1211-00R	Hammerhead Sticker, Right (front down bar)	1
5	13-1211-00L	Hammerhead Sticker, Left (front down bar)	1
6	13-1212-01R	Right Rear Fender Sticker Set	1
7	13-1212-01L	Left Rear Fender Sticker Set	1