

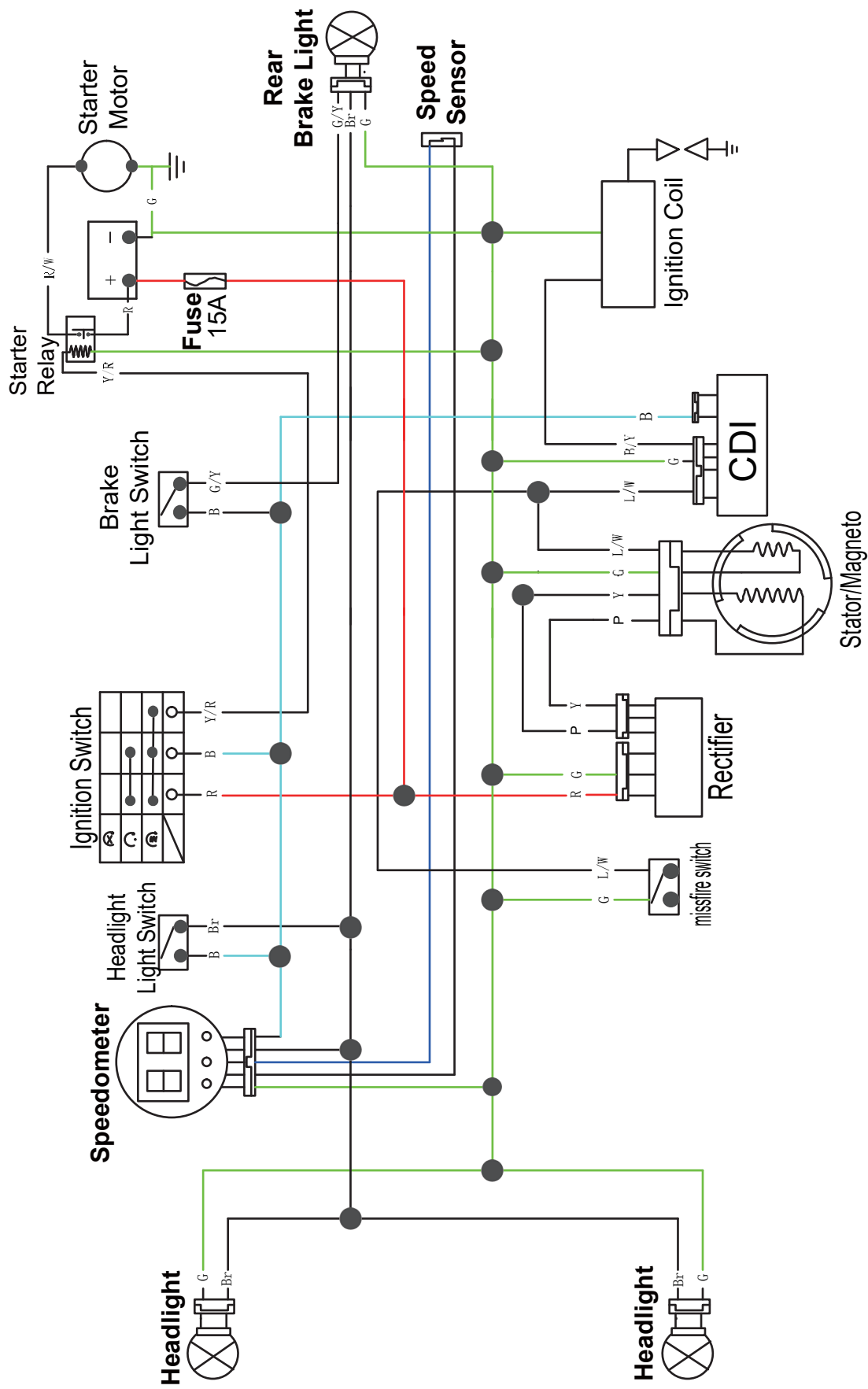


# 2018-2024 GTS-150

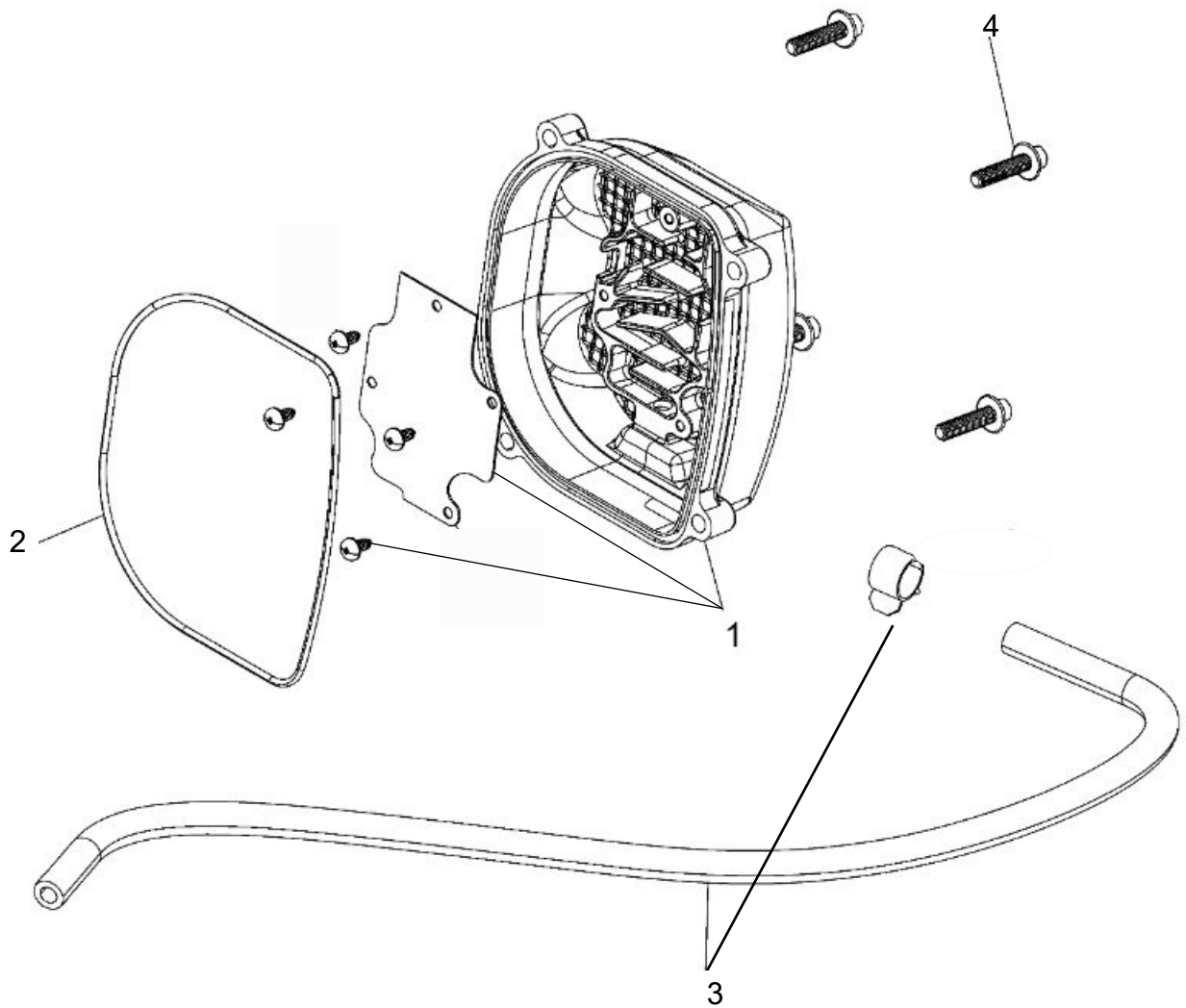
10th letter in VIN: J-R



## ILLUSTRATED PARTS BOOK

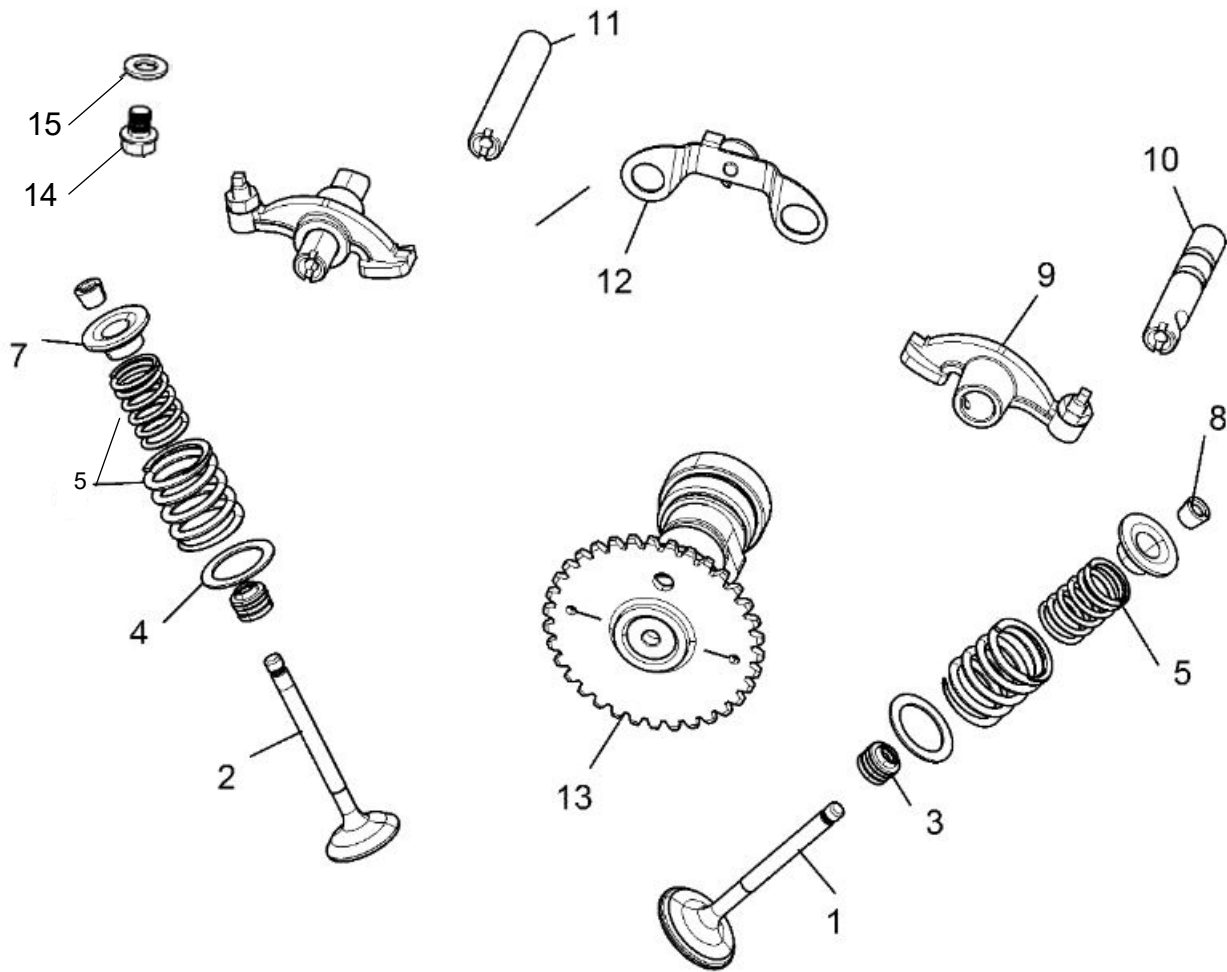


# ENGINE, BREATHER



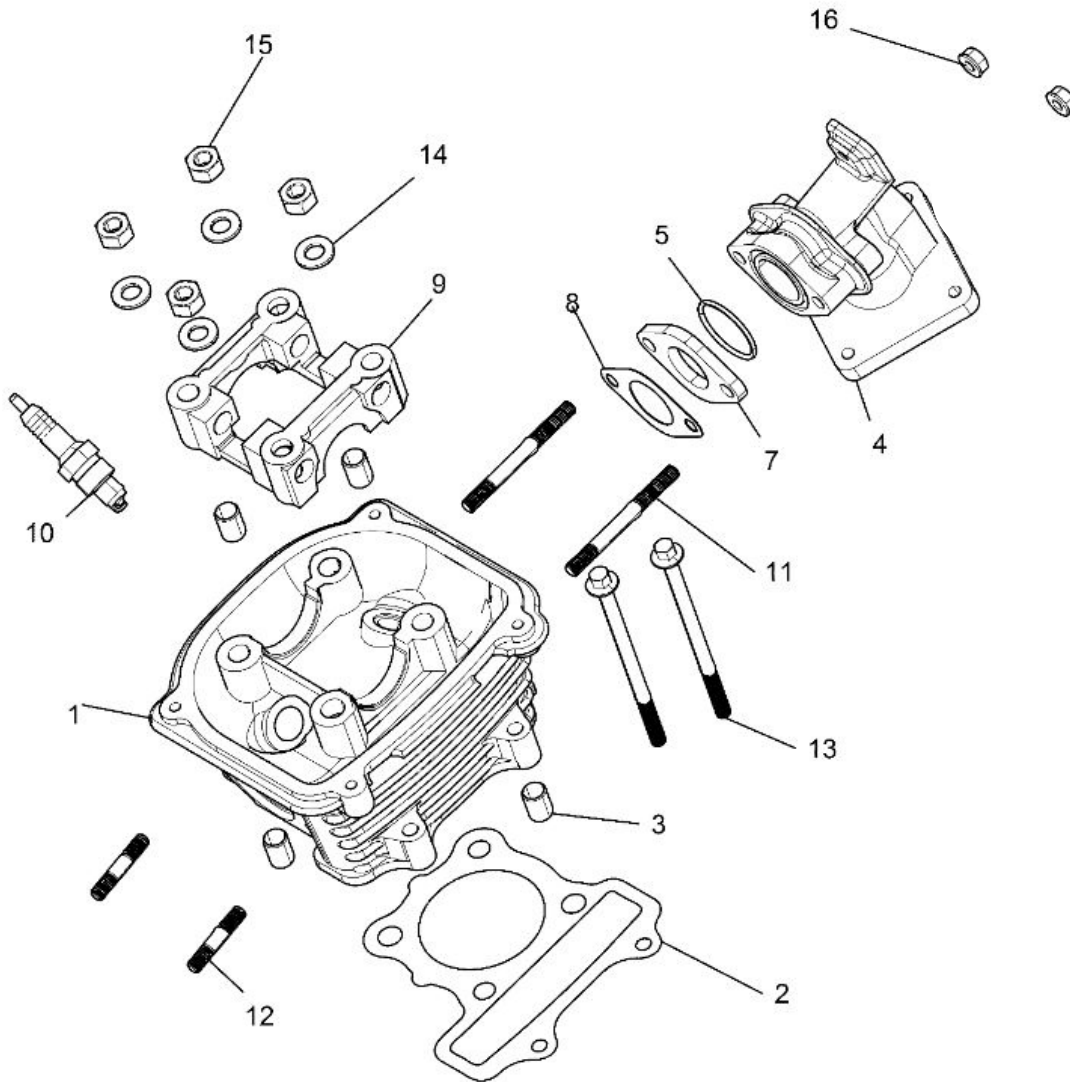
| ENGINE, BREATHER |              |                      |          |
|------------------|--------------|----------------------|----------|
| Ref#             | Part #       | Description          | Quantity |
| 1                | M150-1001100 | COVER, CYLINDER HEAD | 1        |
| 2                | M150-1001103 | VALVE COVER SEAL     | 1        |
| 3                | M150-1001001 | Vent line            | 1        |
| 4                | M150-1003075 | BOLT M6X25           | 4        |

# ENGINE VALVE TIMING



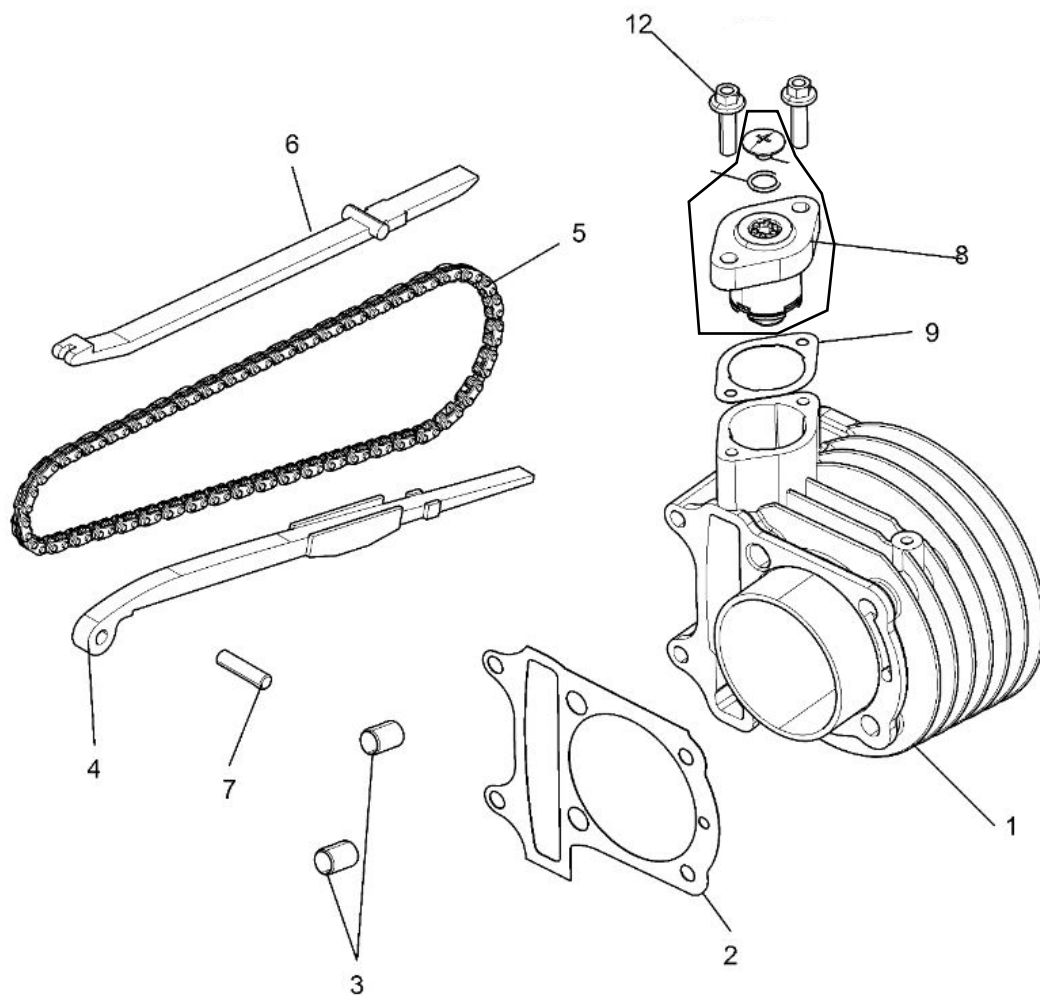
| ENGINE VALVE TIMING |                |                        |   |
|---------------------|----------------|------------------------|---|
| 1                   | M150-1001301-N | INTAKE VALVE           | 1 |
| 2                   | M150-1001307-N | EXHAUST VALVE          | 1 |
| 3                   | M150-1001310   | STEM SEAL, VALVE       | 2 |
| 4                   | M150-1001302   | SEAT, VALVE SPRING     | 2 |
| 5                   | M150-1001303   | INNER SPRING, VALVE    | 2 |
| 5                   |                | OUTER SPRING, VALVE    | 2 |
| 7                   | M150-100305    | RETAINER, VALVE SPRING | 2 |
| 8                   | M150-1001306   | VALVE COTTER           | 4 |
| 9                   | M150-1005002   | ROCKER ARM SHAFT SET   | 2 |
| 10                  | M150-1005200   | INTAKE ROCKER SHAFT    | 1 |
| 11                  | M150-1005005   | EXHAUST ROCKER SHAFT   | 1 |
| 12                  | M150-1005100   | CAGING PLATE           | 1 |
| 13                  | M150-1005300-N | CAMSHAFT COMP          | 1 |
| 14                  | M150-1005003   | TAPPET SCREW ADJUSTING | 2 |
| 15                  | M150-1005004   | TAPPET NUT ADJUSTING   | 2 |

# ENGINE, CYLINDER HEAD ASM



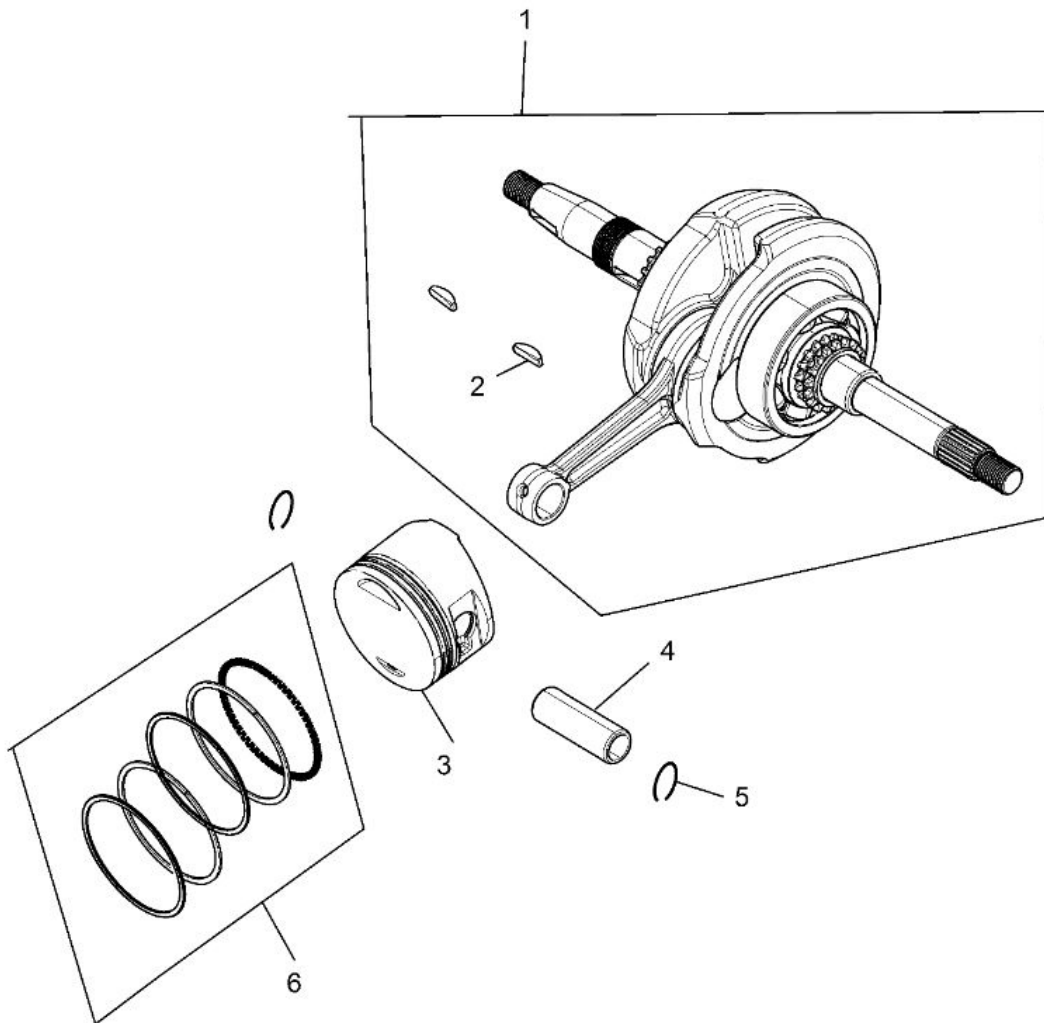
| ENGINE, CYLINDER HEAD ASM |                 |                              |          |
|---------------------------|-----------------|------------------------------|----------|
| Ref#                      | Part #          | Description                  | Quantity |
| 1                         | M150-100-1320   | CYLINDER HEAD                | 1        |
| 2                         | M150-1001010    | GASKET CYLINDER HEAD         | 1        |
| 3                         | M150-1001007    | DOWEL PIN 10X16              | 4        |
| 4                         | M150-1001210    | INTAKE PIPE                  | 1        |
| 5                         | M150-1001201    | O-RING 27X2                  | 1        |
| 7                         | M150-1001005    | INSULATOR, INTAKE            | 1        |
| 8                         | M150-3050352    | GASKET, CARBURATOR INSULATOR | 1        |
| 9                         | M150-1005001-N  | CAMSHAFT HOLDER              | 1        |
| 10                        | 98056-57713-00  | SPARK PLUG                   | 1        |
| 11                        | M150-1001006    | BOLT STUD M6X63              | 2        |
| 12                        | M150-1001011    | BOLT STUD M6X32              | 2        |
| 13                        | M150-1003007    | BOLT M6X100                  | 2        |
| 14                        | M150-1003004    | WASHER 8                     | 4        |
| 15                        | M150-1003003    | NUT M8                       | 4        |
| 16                        | 95500-06001-KAS | NUT M6                       | 2        |

# ENGINE, CYLINDER COMP



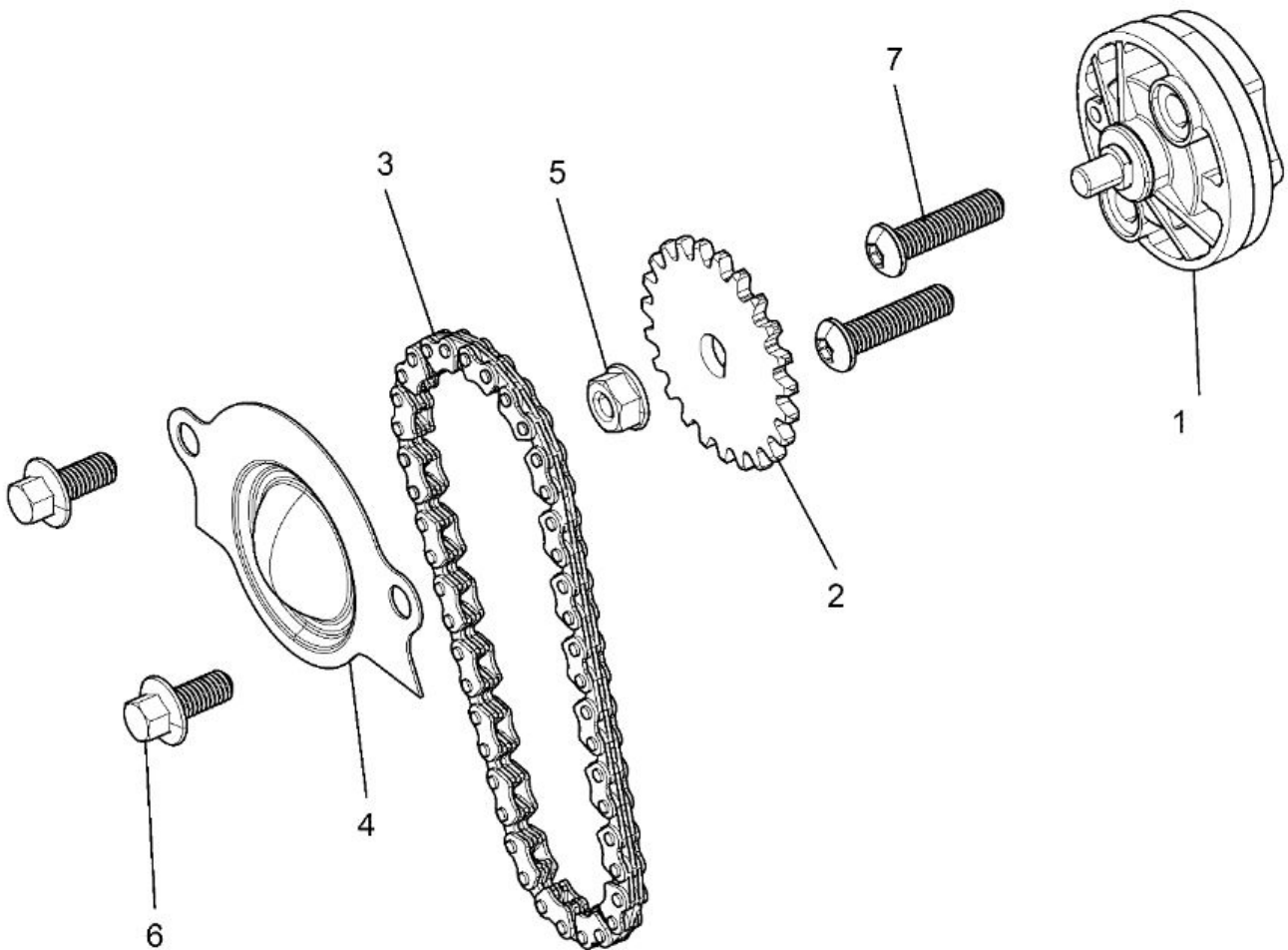
| ENGINE, CYLINDER COMP |                 |                        |          |
|-----------------------|-----------------|------------------------|----------|
| Ref#                  | Part #          | Description            | Quantity |
| 1                     | M150-1002200    | CYLINDER BLOCK         | 1        |
| 2                     | M150-3050351    | GASKET, CYLINDER BLOCK | 1        |
| 3                     | M150-1001007    | DOWEL PIN 10X16        | 1        |
| 4                     | M150-1003500    | CHAIN GUIDE PLATE      | 1        |
| 5                     | M150-1005400    | TIMING CHAIN           | 1        |
| 6                     | M150-1002300    | TENSION PLATE          | 1        |
| 7                     | 14559           | TENSION ROD FIXED PIN  | 1        |
| 8                     | M150-1002100    | ASM., TENSIONER        | 1        |
| 9                     | M150-3050347    | GASKET, TENSIONER      | 1        |
| 12                    | 96001-06020-KAT | BOLT M6X22             | 1        |
|                       |                 |                        |          |
|                       |                 |                        |          |

# ENGINE, CRANKSHAFT, CONNECTING ROD AND PISTON



| ENGINE, CRANKSHAFT, CONNECTING ROD AND PISTON |                |                     |          |
|---|----------------|---------------------|----------|
| Ref#  | Part #         | Description         | Quantity |
| 1   | M150-1004100-N | ASM., CRACKSHAFT    | 1        |
| 2   | M150-1004002   | WOODRUFF KEY 4X14   | 2        |
| 3   | M150-1004001   | PISTON              | 1        |
| 4   | M150-1004006   | PIN, PISTON         | 1        |
| 5   | M150-1004003   | CIRCLIP, PISTON PIN | 2        |
| 6   | M150-1004200   | RING SET, PISTON    | 1        |

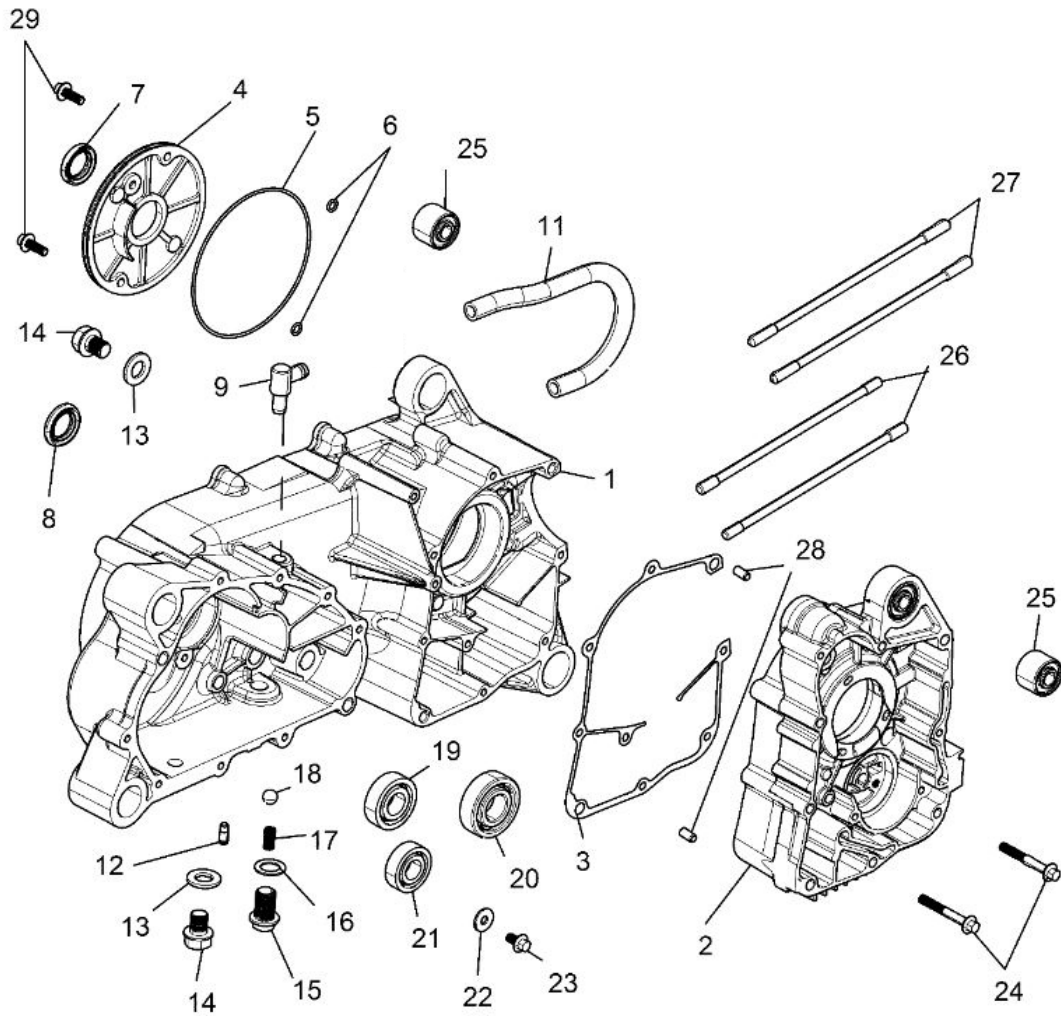
# ENGINE, OIL PUMP



| ENGINE, OIL PUMP |                |                 |          |
|------------------|----------------|-----------------|----------|
| Ref#             | Part #         | Description     | Quantity |
| 1                | M150-1022000   | ASM., OIL PUMP  | 1        |
| 2                | M150-1020001   | GEAR, OIL PUMP  | 1        |
| 3                | M150-1021000   | CHAIN, OIL PUMP | 1        |
| 4                | M150-1003202   | COVER           | 1        |
| 5                | M150-1020002   | NUT M6          | 1        |
| 6                | M150-1003005-B | BOLT M6X14      | 2        |
| 7                | M150-1003075   | BOLT M6X25      | 2        |



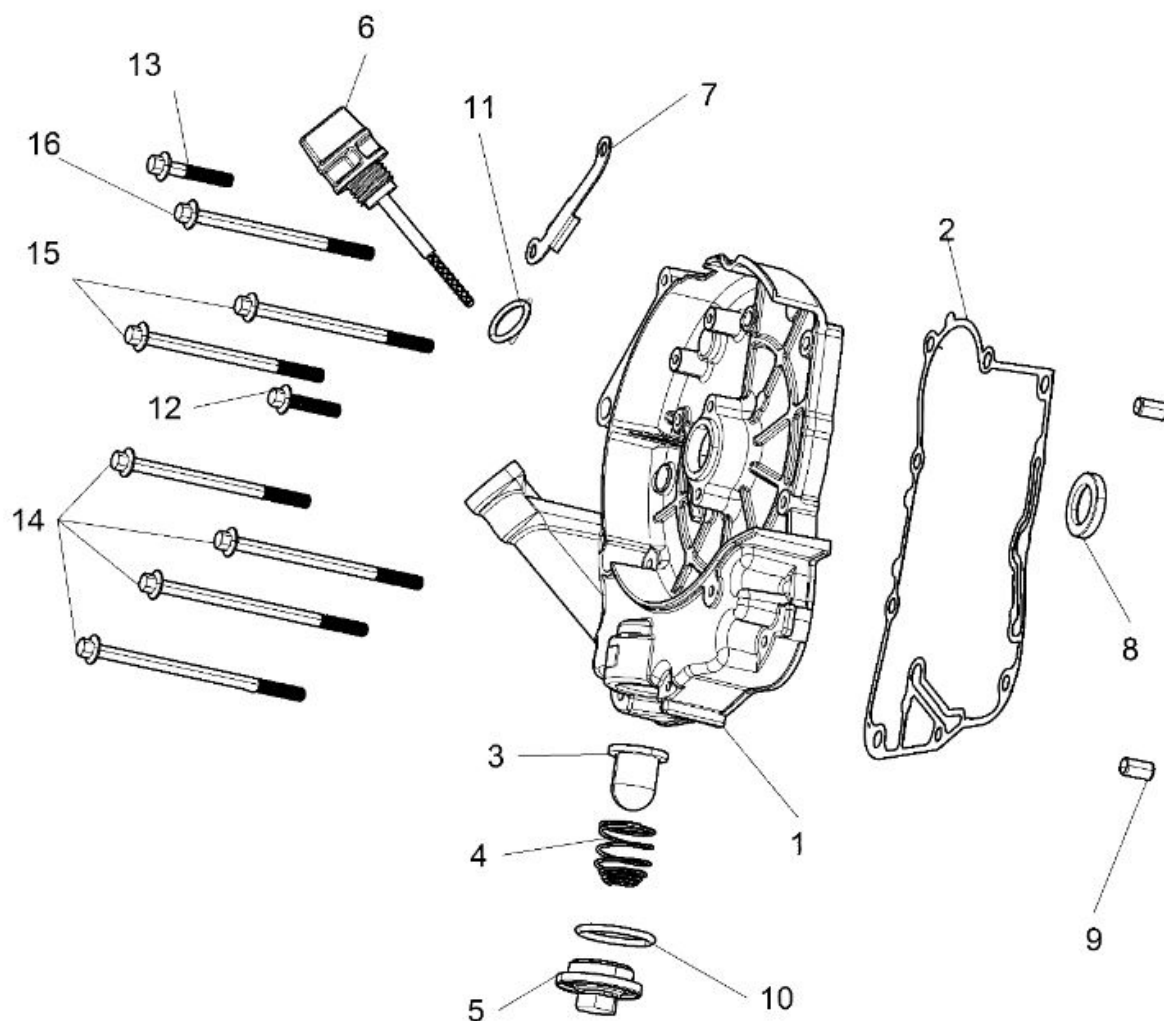
# ENGINE, CRANKCASE COMP LEFT / RIGHT



ENGINE, CRANKCASE COMP LEFT/RIGHT

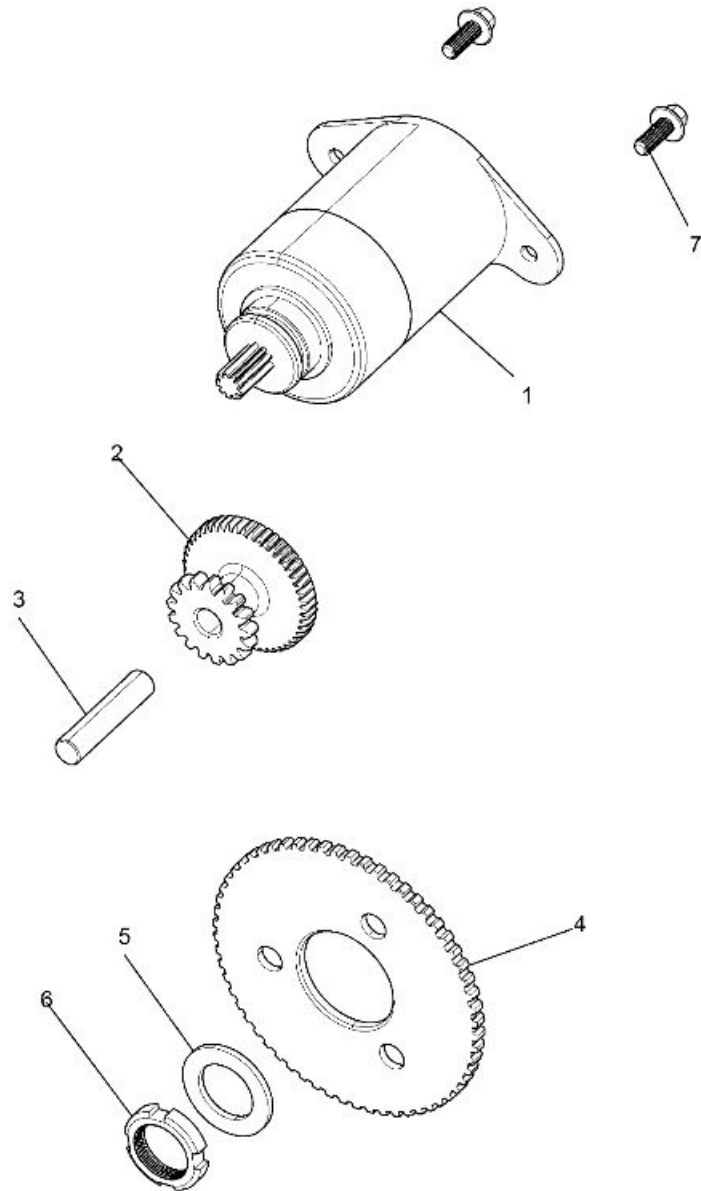
| Ref# | Part #       | Description            | Quantity | Ref# | Part #          | Description               | Quantity |
|------|--------------|------------------------|----------|------|-----------------|---------------------------|----------|
| 1    | 14280        | CRANKCASE, LH          | 1        | 16   | 14311           | WASHER 14.2X22X1.3        | 1        |
| 2    | 14277        | CRANKCASE, RH          | 1        | 17   | 14310           | POSITIONING SPRING        | 1        |
| 3    | M150-3050348 | GASKET CRANKCASE       | 1        | 18   | 14309           | STEEL BALL SO10.319       | 1        |
| 4    | 14283        | COVER                  | 1        | 19   | 91004-E6203-KAT | BALL BEARING 6203         | 1        |
| 5    | 14284        | O-RING 107X2           | 1        | 20   | 91004-E6204-KAT | BALL BEARING 6204         | 1        |
| 6    | 14285        | O-RING 6X1.8           | 2        | 21   | 91004-E6202-KAT | BALL BEARING 6202         | 1        |
| 7    | M150-1003110 | OIL SEAL 19.8X30X5     | 1        | 22   | 14315           | WASHER 6X18X1.6           | 1        |
| 8    | M150-1042000 | OIL SEAL 20X32X6       | 1        | 23   | M150-1003203    | BOLT M6X12                | 1        |
| 9    | 14308        | VENTILATION PIPE       | 1        | 24   | M150-1003032    | BOLT M6X50                | 2        |
| 11   | 14307        | WASTE PIPE SET (330mm) | 1        | 25   | M150-1003320    | ENGINE HANGER BUSH        | 2        |
| 12   | 14502        | BOX OUTLET NOZZLE      | 1        | 25   | M150-1003320    | ENGINE HANGER BUSH        | 2        |
| 13   | 14314        | WASHER 12              | 2        | 26   | M150-1003001    | BOLT, CYLINDER STUD M8X18 | 2        |
| 13   | 14314        | WASHER 12              | 2        | 27   | M150-1003002    | BOLT, CYLINDER STUD M8X19 | 2        |
| 14   | 14313        | BOLT M12X1.5           | 2        | 28   | M150-1003005    | DOWEL PIN 8X14            | 2        |
| 14   | 14313        | BOLT M12X1.5           | 2        | 29   | 14286           | BOLT M6X18                | 2        |
| 15   | 14312        | LOCATING BOLT M14X20.8 | 1        |      |                 |                           |          |

# ENGINE, CRANKCASE COVER ASM, RIGHT



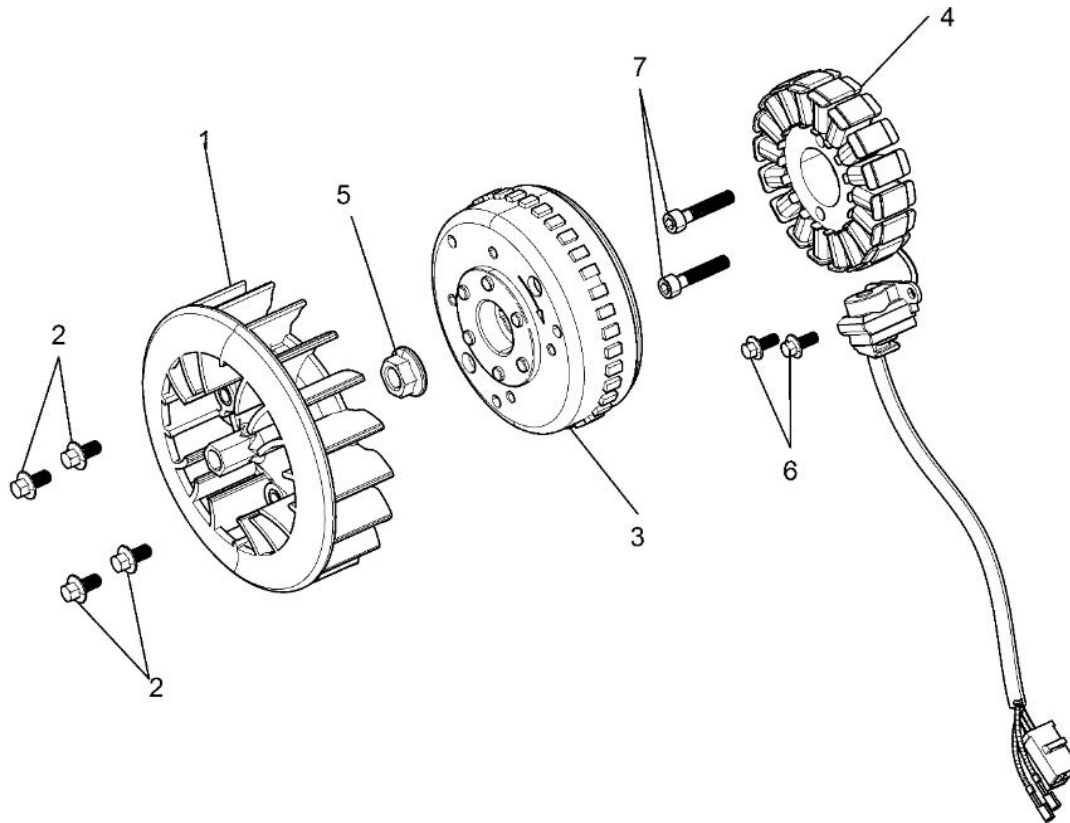
| ENGINE, CRANKCASE COVER ASM, RIGHT |                |                             |          |
|------------------------------------|----------------|-----------------------------|----------|
| Ref#                               | Part #         | Description                 | Quantity |
| 1                                  | M150-1003101   | CRANKCASE COVER, RH         | 1        |
| 2                                  | M150-3050350   | GASKET, CRANKCASE COVER, RH | 1        |
| 3                                  | M150-1003120   | OIL FILTER SCREEN           | 1        |
| 4                                  | M150-1003102   | OIL FILTER SCREEN SPRING    | 1        |
| 5                                  | M150-1003104   | COVER, OIL FILTER SCREEN    | 1        |
| 6                                  | M150-1003105   | DIPSTICK                    | 1        |
| 7                                  | M150-1003006   | CLAMP, A.C. GENERATOR CORD  | 1        |
| 8                                  | M150-1003110   | OIL SEAL 19.8X30X5          | 1        |
| 9                                  | M150-1003005   | DOWEL PIN 8X14              | 2        |
| 10                                 | M150-1003103   | O-RING 30.8X3.2             | 1        |
| 11                                 | M150-1003307   | O-RING 18X3                 | 1        |
| 12                                 | M150-1003034   | BOLT M6X35                  | 1        |
| 13                                 | 96001-0632-KAT | BOLT M6X28                  | 1        |
| 14                                 | M150-1003012   | BOLT M6X95                  | 4        |
| 15                                 | M150-1003008   | BOLT M6X110                 | 2        |
| 16                                 | M150-1003007   | BOLT M6X100                 | 1        |

# ENGINE, STARTER MOTOR



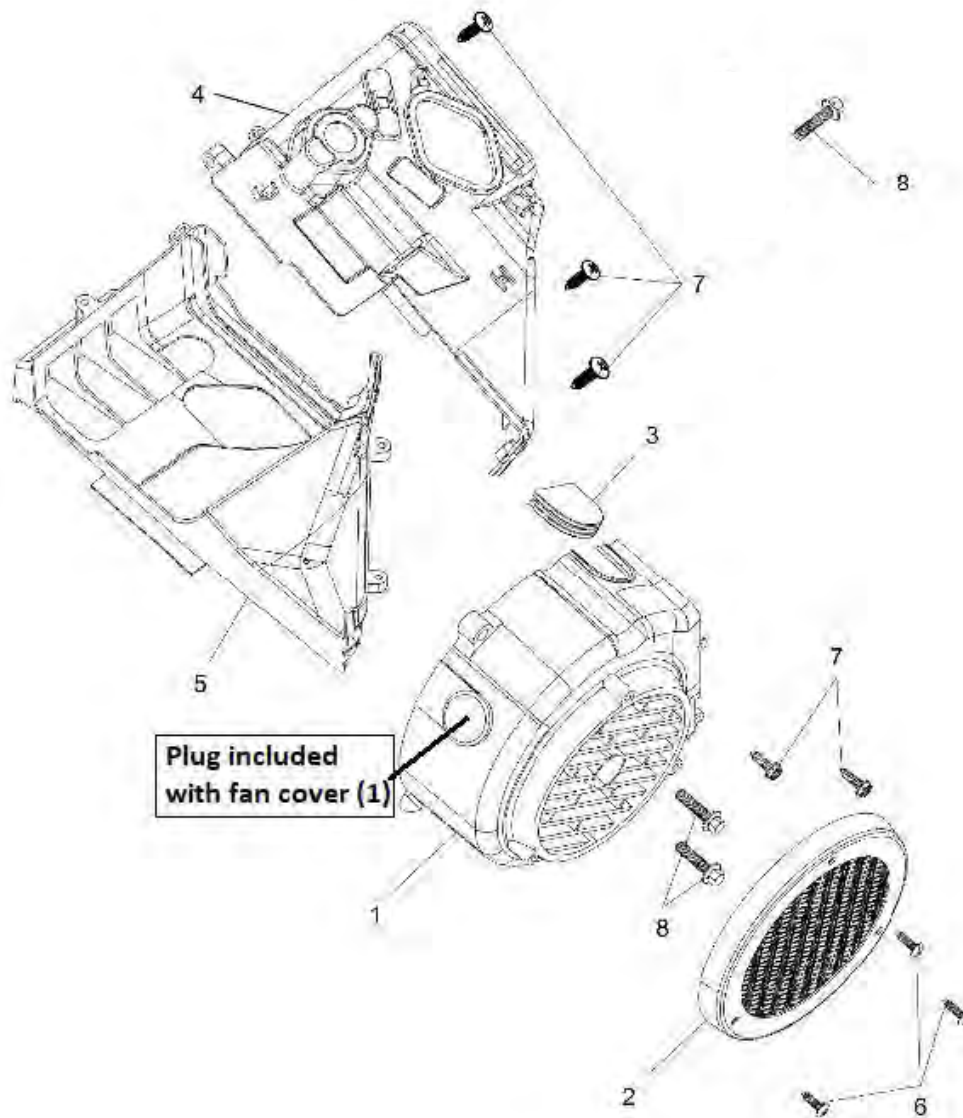
| ENGINE, STARTER MOTOR |              |                                      |          |
|-----------------------|--------------|--------------------------------------|----------|
| Ref#                  | Part #       | Description                          | Quantity |
| 1                     | M150-1064000 | STARTER MOTOR                        | 1        |
| 2                     | M150-1060003 | GEAR IDLER                           | 1        |
| 3                     | M150-1060003 | SHAFT                                | 1        |
| 4                     | M150-1060001 | ASM., STARTING CLUTCH                | 1        |
| 5                     | M150-1004013 | WASHER 22X31X2.5                     | 1        |
| 6                     | M150-1004009 | SPANNER NUT M22X1 (Left Hand Thread) | 1        |
| 7                     | M150-1060005 | BOLT M6X16                           | 2        |

# ENGINE, STATOR AND FLYWHEEL



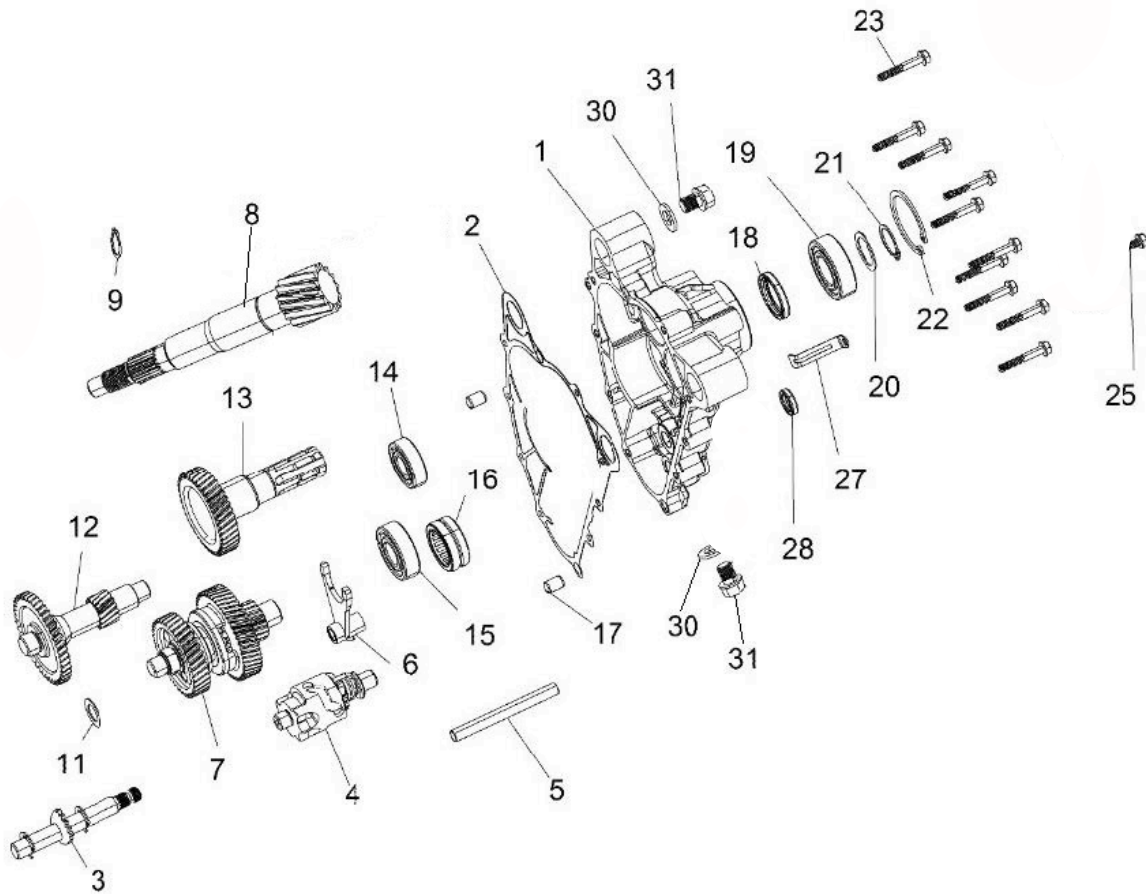
| ENGINE, STATOR AND FLYWHEEL |                |                              |          |
|-----------------------------|----------------|------------------------------|----------|
| Ref#                        | Part #         | Description                  | Quantity |
| 1                           | M150-1051100-3 | COOLING FAN                  | 1        |
| 2                           | M150-1051100-4 | BOLT M6X18                   | 4        |
| 3                           | M150-1051100   | STATOR FLYWHEEL              | 1        |
| 4                           | M150-1051200   | STATOR COIL                  | 1        |
| 5                           | M150-1004007   | NUT M12X1.25                 | 1        |
| 6                           | 92101-05012-OH | BOLT M5X12                   | 2        |
| 7                           | M150-1003106   | SOCKET HEAD CAP SCREWS M6X30 | 2        |

# ENGINE, FAN COVER AND SHROUD COMP



| ENGINE, FAN COVER AND SHROUD COMP |              |                        |          |
|-----------------------------------|--------------|------------------------|----------|
| Ref#                              | Part #       | Description            | Quantity |
| 1                                 | M150-1009410 | COVER, COOLING FAN     | 1        |
| 2                                 | 8.020.179    | ISOLATION MESH         | 1        |
| 3                                 | M150-1009401 | FAN COVER COOLING DUCT | 1        |
| 4                                 | M150-1009110 | SHROUD COMP B          | 1        |
| 5                                 | M150-1009301 | SHROUD COMP A          | 1        |
| 6                                 | 9.804.003    | SCREW ST 4.2X16        | 3        |
| 7                                 | M150-1009402 | SCREW ST 4.8X16        | 5        |
| 8                                 | M150-1003075 | BOLT M6X25             | 3        |

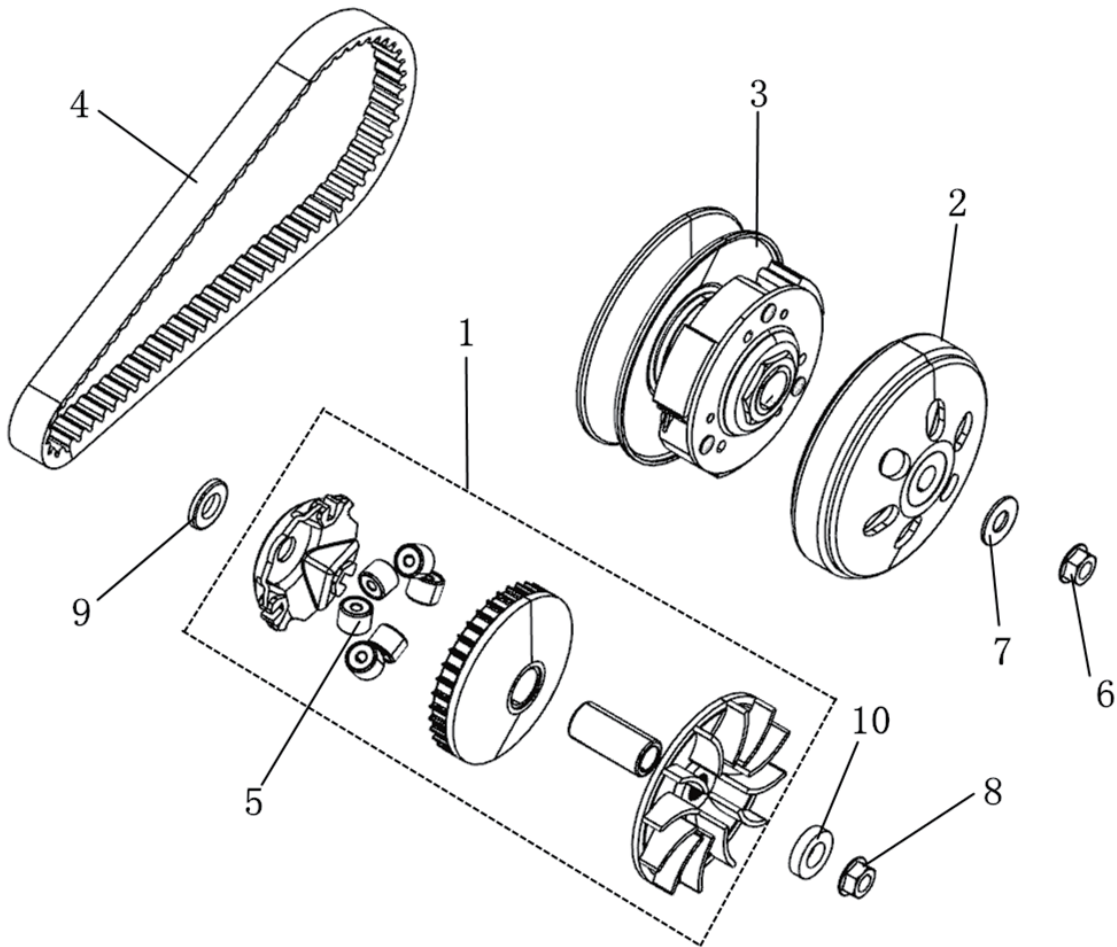
# DRIVE TRAIN MAIN GEAR CASE



DRIVE TRAIN MAIN GEAR CASE

| Ref# | Part #       | Description                   | Quantity | Ref# | Part #          | Description             | Quantity |
|------|--------------|-------------------------------|----------|------|-----------------|-------------------------|----------|
| 1    | 14297        | GEAR BOX COVER                | 1        | 15   | 91004-E6204-KAT | BALL BEARING 6204       | 1        |
| 2    | M150-3050349 | GEAR BOX GASKET               | 1        | 16   | 14504           | NEEDLE BEARING RNA4905  | 1        |
| 3    | 14305        | ASM., TRANSMISSION SHAFT      | 1        | 17   | 14287           | DOWEL PIN 10X14         | 2        |
| 4    | 14302        | GEARSHIFT DRUM                | 1        | 18   | 14318           | OIL SEAL 30X40X6        | 1        |
| 5    | 14304        | FORK SHAFT                    | 1        | 19   | 14598           | BALL BEARING 6205-2RS   | 1        |
| 6    | 14303        | FORK SHAFT                    | 1        | 20   | 14511           | WASHER 25X34X1          | 1        |
| 7    | 14300        | ASM., GEARSHIFT SHAFT         | 1        | 21   | 14319           | CIRCLIP 25              | 1        |
| 8    | 14298        | DRIVE SHAFT                   | 1        | 22   | 14320           | CIRCLIP 52              | 1        |
| 9    | 14106        | CIRCLIP 20                    | 1        | 23   | 9.106.040       | BOLT M6X40              | 10       |
|      |              |                               |          | 25   | 9.106.012       | BOLT M6X12              | 1        |
| 11   | 14316        | PLAIN WASHERS (STEEL) 15X19X1 | 1        | 27   | 14321           | CABLE CLAMP             | 1        |
| 12   | 14299        | ASM-REVERSE GEAR SHAFT        | 1        | 28   | 14597           | OIL SEAL 14X22X5        | 1        |
| 13   | 14301        | ASM-OUTPUT SHAFT              | 1        | 30   | 14314           | WASHER 12               | 1        |
| 14   | 14503        | BALL BEARING 6302             | 1        | 31   | 14313           | FILL/DRAIN BOLT M12X1.5 | 1        |

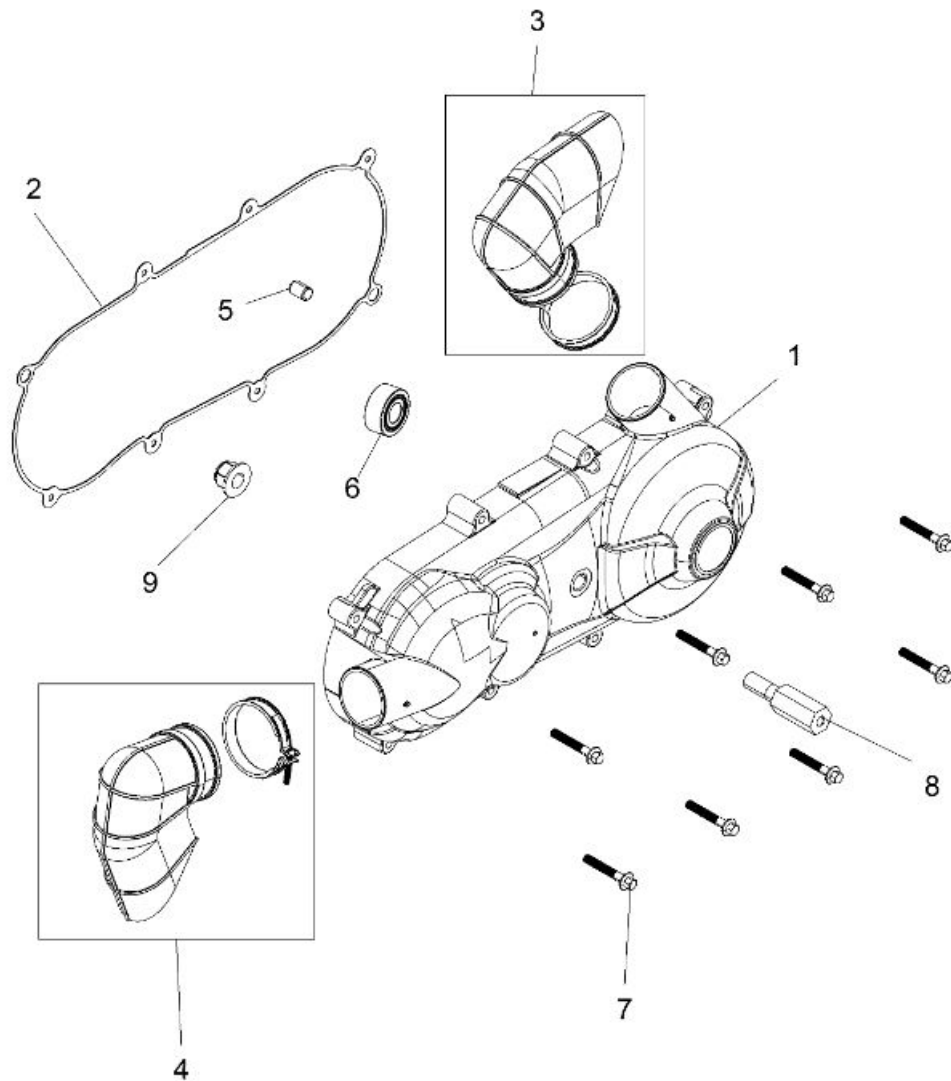
# DRIVE TRAIN, PRIMARY CLUTCH



## ENGINE, STATOR AND FLYWHEEL

| Ref# | Part#        | Description                          | Quantity |
|------|--------------|--------------------------------------|----------|
| 1    | M150-1071000 | ASM,DRIVING PULLEY (include Rollers) | 1        |
| 2    | M150-1032000 | DRIVEN DISC COMP                     | 1        |
| 3    | M150-1031000 | DRIVEN PULLEY COMP                   | 1        |
| 4    | M150-1033000 | V-BELT                               | 1        |
| 5    | M150-1071002 | Rollers                              | 6        |
| 6    | M150-1004008 | NUT M12×1.25×8                       | 1        |
| 7    | M150-1040005 | WASHER 12                            | 1        |
| 8    | M150-1040007 | Nut M12×1.25×11                      | 1        |
| 9    | 157F.11.502  | WASHER 15.2×29×4                     | 1        |
| 10   | 157F.11.501  | WASHER 15.2×29×7.5                   | 1        |

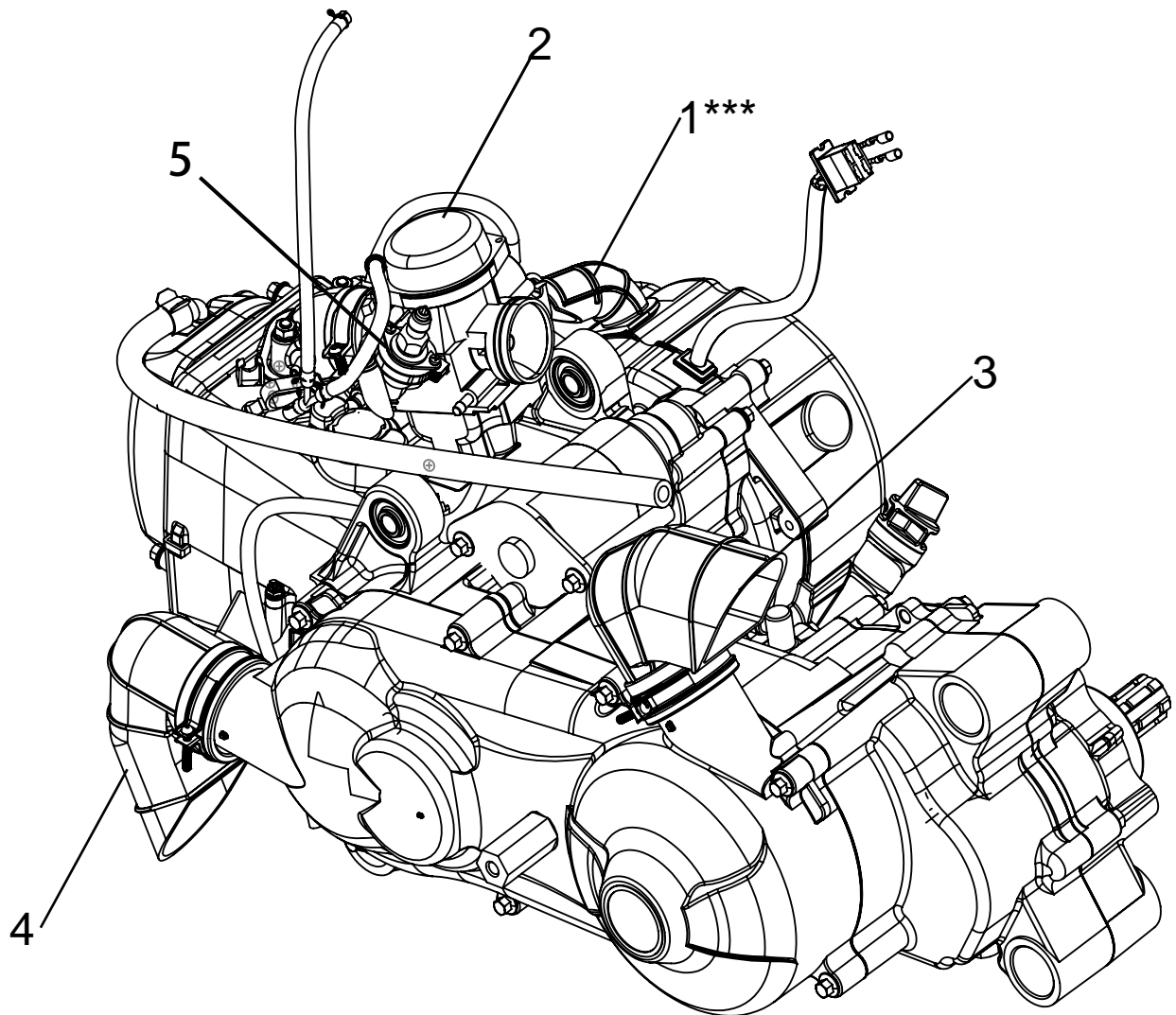
# DRIVE TRAIN CLUTCH COVER AND DUCTING



| Ref# | Part #         | Description                                 | Quantity |
|------|----------------|---|----------|
|      |                | <b>DRIVE TRAIN CLUTCH COVER AND DUCTING</b> |          |
| 1    | M150-1008101-N | CRANKCASE COVER, LH                         | 1        |
| 2    | M150-3050353   | GASKET, CRANKCASE COVER, LH                 | 1        |
| 3    | 14322          | ASM., ASPIRTAION CHANNEL, B                 | 1        |
| 4    | 14322          | ASM., ASPRIATION CHANNEL, A                 | 1        |
| 5    | M150-1003005   | DOWEL PIN 10X14                             | 2        |
| 6    | 14508          | BALL BEARING 6200-2RZ                       | 1        |
| 7    | 14235          | BOLT M6X40                                  | 8        |
| 8    | 14507          | MUFFLER BRACKET BOLTS                       | 1        |
| 9    | M150-1004008   | NUT M12X11                                  | 1        |



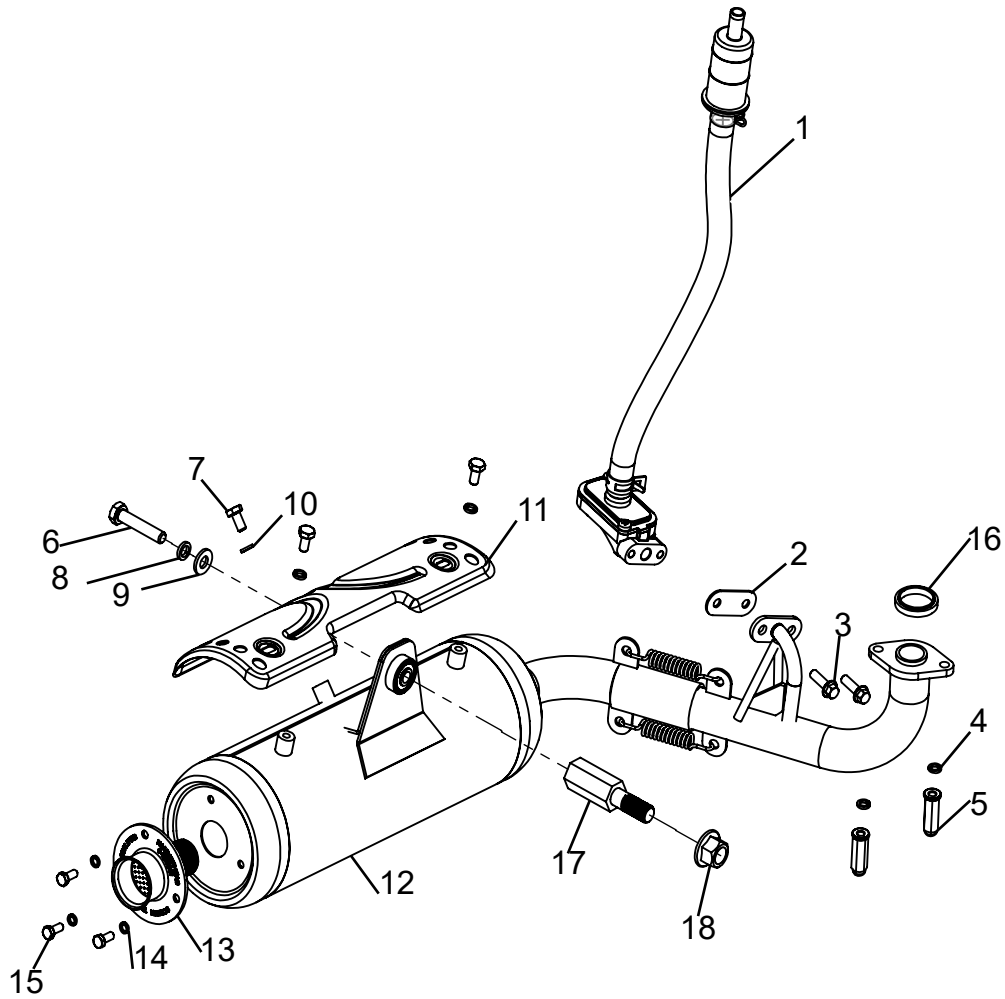
# ENGINE ASSEMBLY



| <u>Ref #:</u> | <u>Part Number:</u> | <u>Engine Assembly</u><br><u>Description:</u> | <u>Quantity:</u> |
|---------------|---------------------|---|------------------|
| 1***          | 006-JL150-03        | 150cc Engine Assembly w/oil cooler holes      | 1                |
| 2             | 13-1601-00          | CARBURETOR                                    | 1                |
| 3             | 14322               | ASM., ASPRIATION CHANNEL, B                   | 1                |
| 4             | 14322               | ASM., ASPRIATION CHANNEL, A                   | 1                |
| 5             | 13-1811-00          | CHOKE CABLE HOUSING                           | 1                |

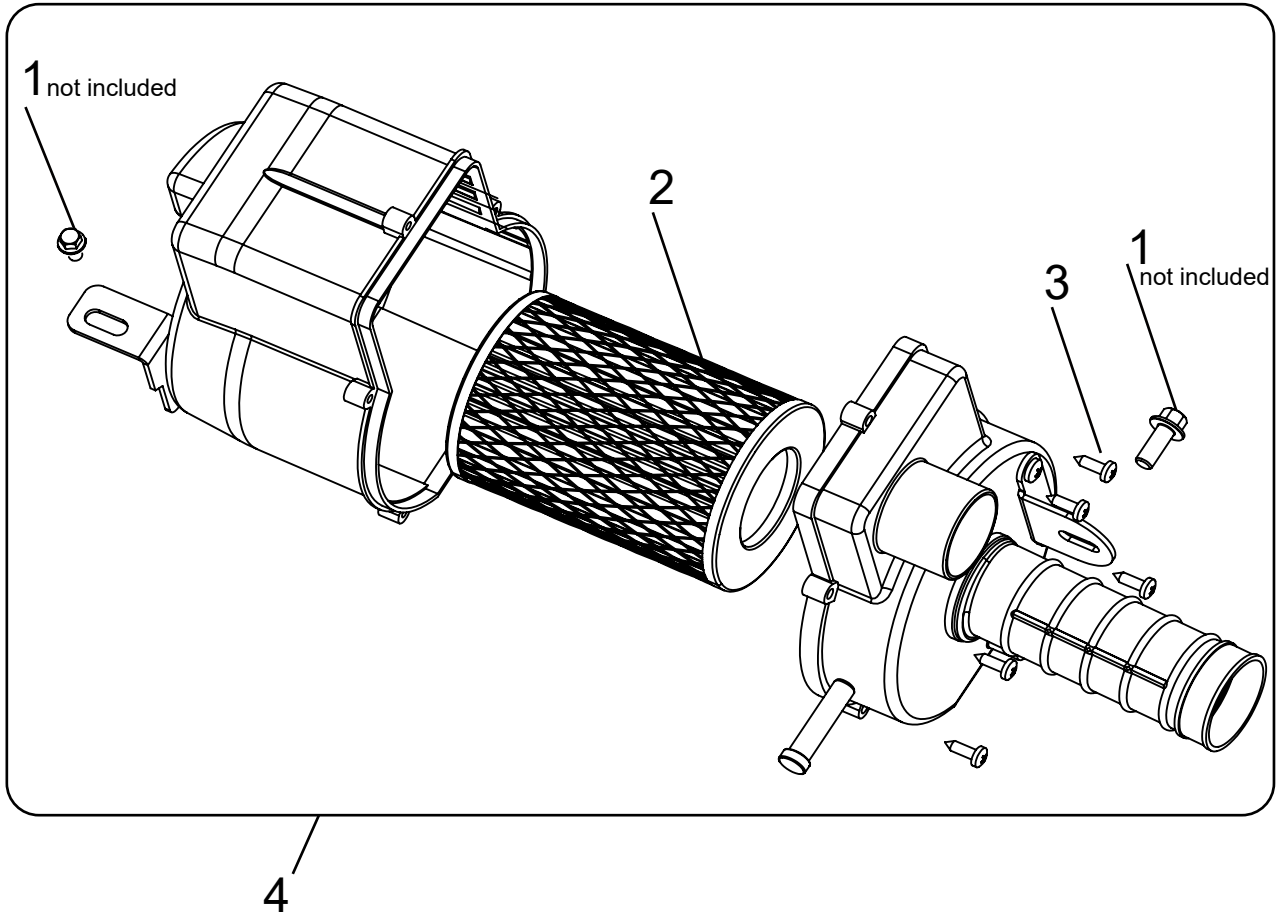
\*\*\*Engine does not include carb and vents indicated in drawing (2, 3, 4, 5)

# EXHAUST ASSEMBLY



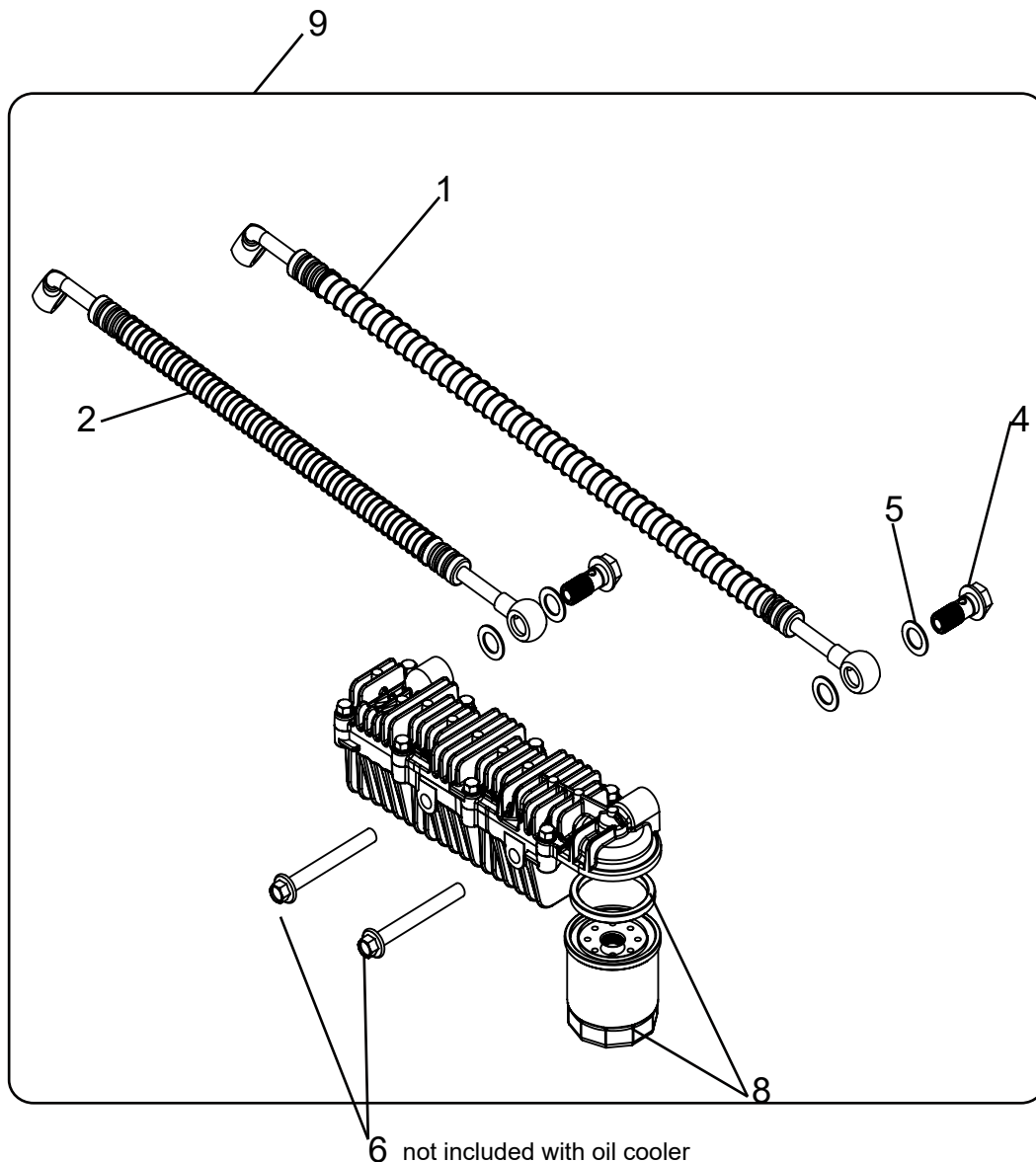
| Exhaust Assembly |                     |                                      |                  |
|------------------|---------------------|--------------------------------------|------------------|
| <u>Ref #:</u>    | <u>Part Number:</u> | <u>Description:</u>                  | <u>Quantity:</u> |
| 1                | 14762               | Muffler Air Injection System         | 1                |
| 2                | 13-1605-01          | Gasket, Muffler Air Injection System | 1                |
| 3                | 9.106.012           | Bolt m6x12                           | 2                |
| 4                | 9.400.006           | Lock Washer 6                        | 2                |
| 5                | 9.040.027           | Muffler Nut                          | 2                |
| 6                | 9.108.040           | Bolt m8x40                           | 1                |
| 7                | 9.106.012           | Bolt m6x12                           | 3                |
| 8                | 9.400.008           | Lock Washer 8                        | 1                |
| 9                | 9.300.008           | Flat Washer 8                        | 1                |
| 10               | 9.400.006           | Lock Washer 6                        | 3                |
| 11               | 8.020.091           | Muffler Protector                    | 1                |
| 12               | 6.000.074           | Muffler Assembly                     | 1                |
| 13               | 13-1604-00          | Spark Arrestor                       | 1                |
| 14               | 9.400.006           | Lock Washer 6                        | 3                |
| 15               | 9.106.014           | Bolt m6x14                           | 3                |
| 16               | M150-3050354        | Exhaust Pipe Gasket                  | 1                |
| 17               | 14507               | Muffler Support Bracket              | 1                |
| 18               | 9.220.012           | Lock Nut m12                         | 1                |

# AIR FILTER ASSM.



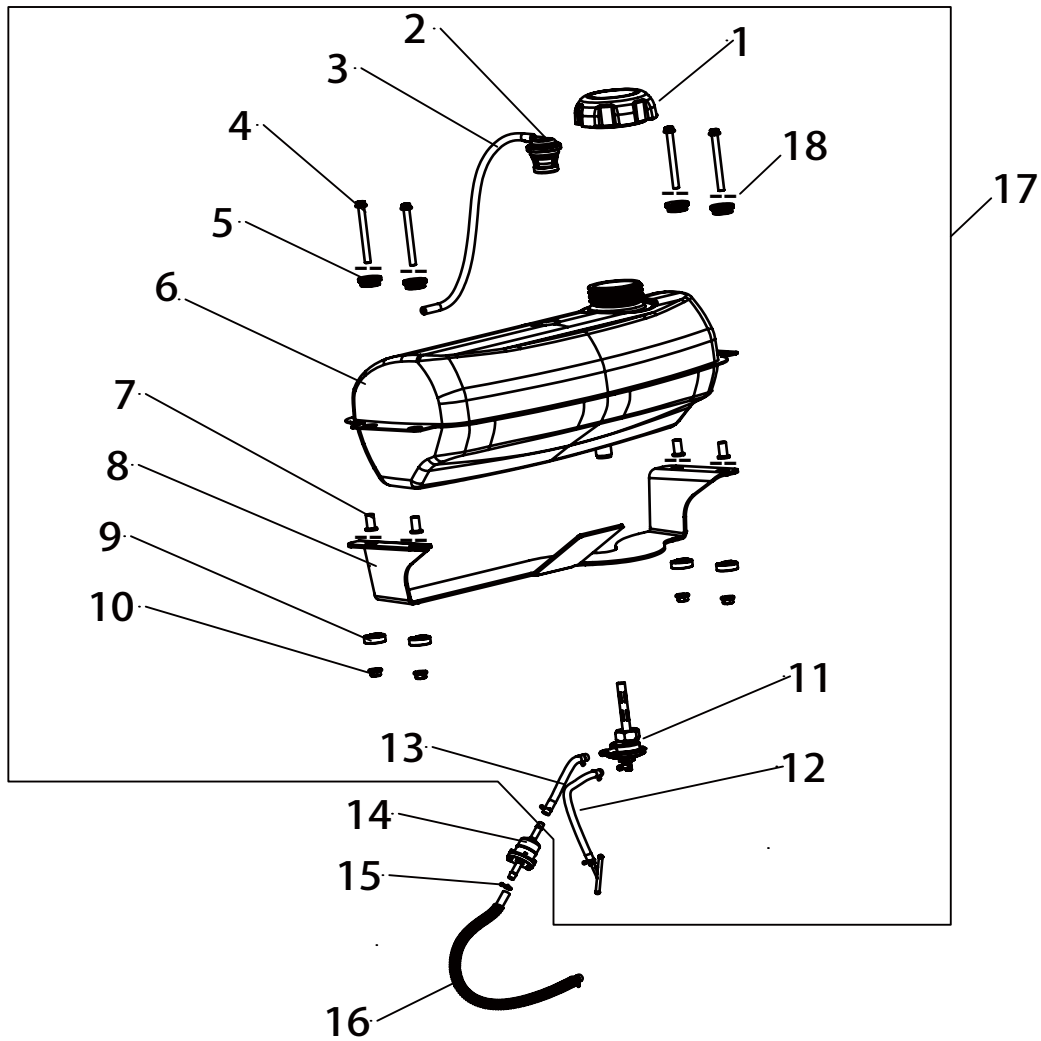
| Air Filter Assembly |                     |                         |                  |
|---------------------|---------------------|-------------------------|------------------|
| <u>Ref #:</u>       | <u>Part Number:</u> | <u>Description:</u>     | <u>Quantity:</u> |
| 1                   | 9.108.016           | Bolt m8x16              | 2                |
| 2                   | 6.000.151           | Air Filter              | 1                |
| 3                   | 003-050016-00       | Pan Screw m5x16         | 5                |
| 4                   | 13-1602-01          | Air Filter Box Assembly | 1                |

# OIL COOLER ASSEMBLY



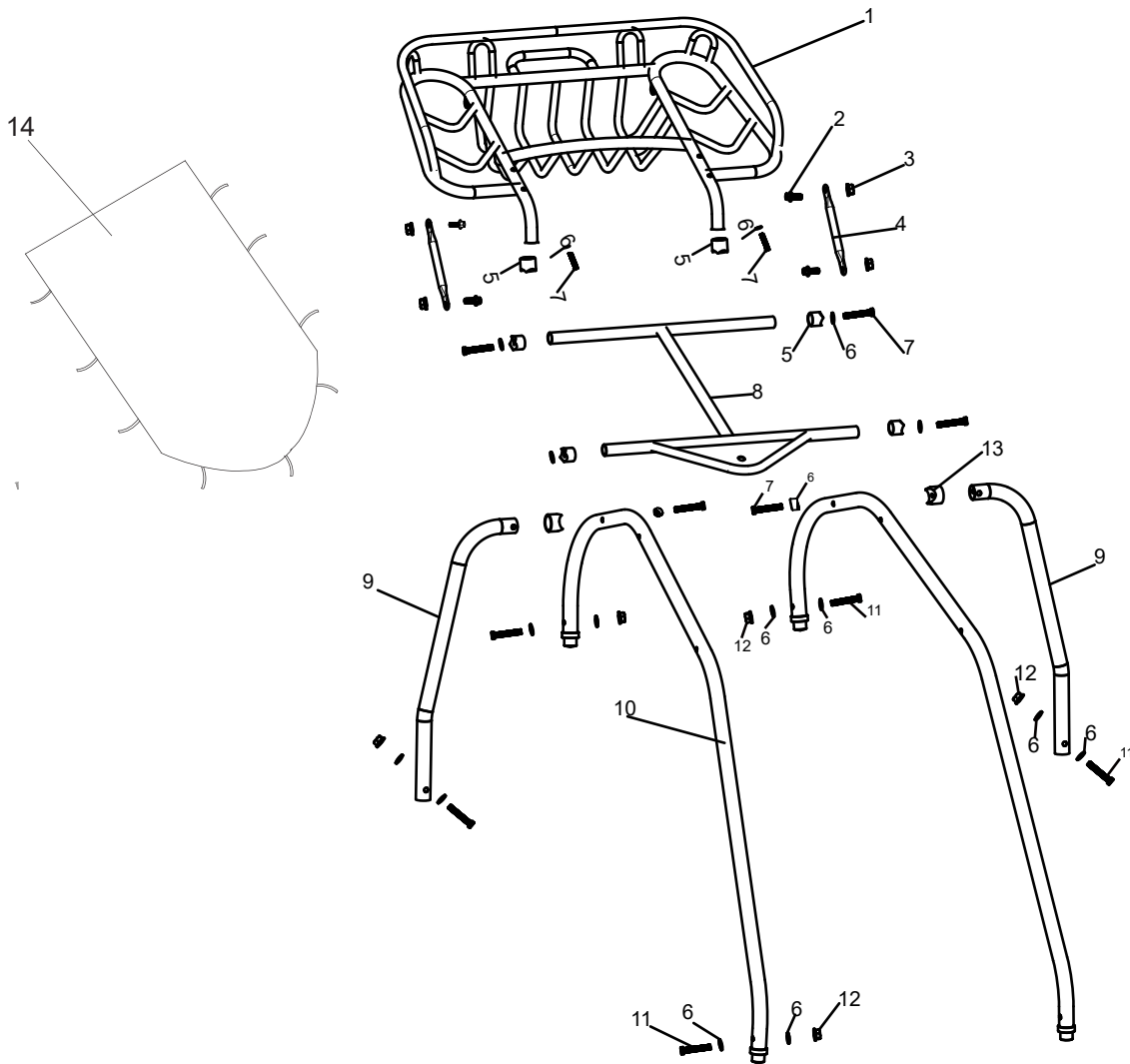
| Oil Cooler Assembly |                     |                     |                  |
|---------------------|---------------------|---------------------|------------------|
| <u>Ref #:</u>       | <u>Part Number:</u> | <u>Description:</u> | <u>Quantity:</u> |
| 1                   | 6.000.216           | Long Oil Hose       | 1                |
| 2                   | 6.000.217           | Short Oil Hose      | 1                |
| 4                   | 8.010.149           | Banjo Bolt          | 4                |
| 5                   | 8.020.178           | Crush Washer        | 8                |
| 6                   | 9.108.075           | Bolt m8x75          | 1                |
| 8                   | 6.000.218           | Oil Filter          | 1                |
| 9                   | 4.000.028           | Oil Cooler Assembly | 1                |

# FUEL TANK ASSEMBLY



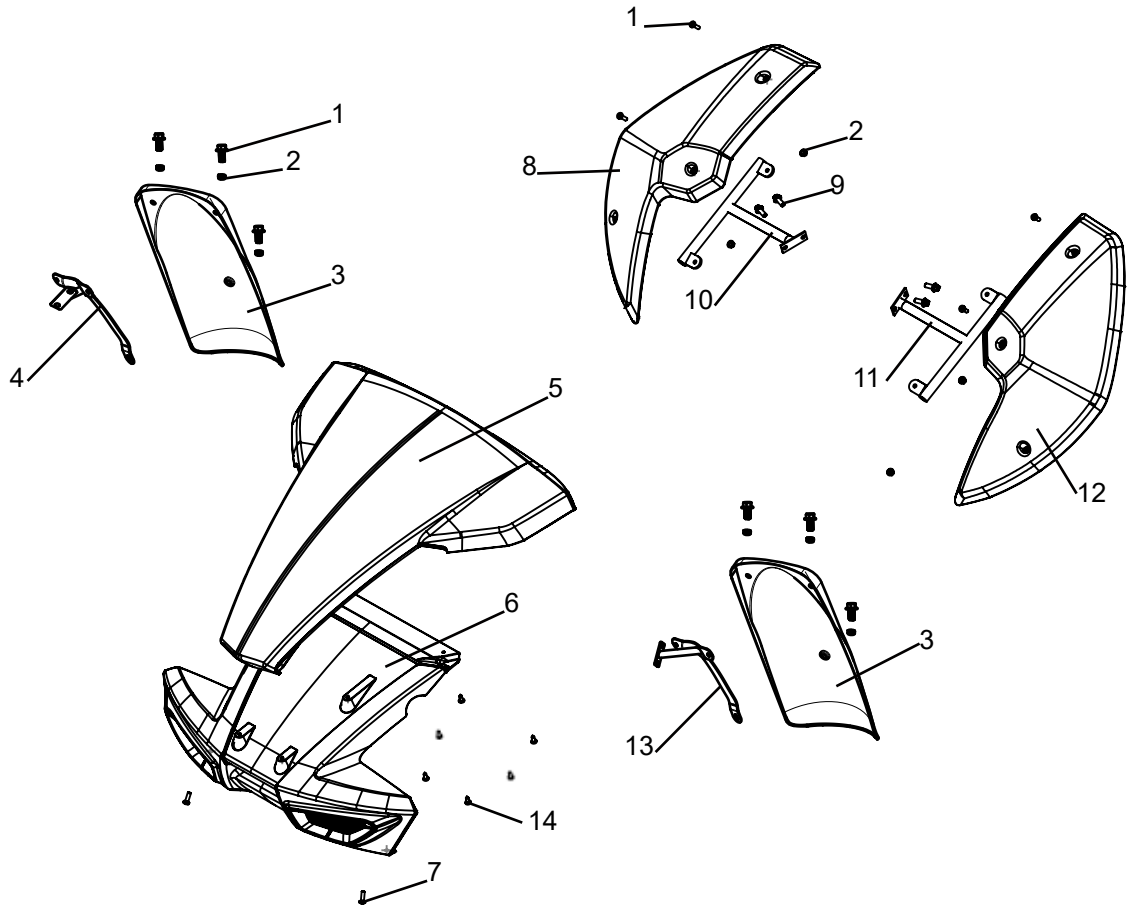
| <u>Ref #:</u> | <u>Part Number:</u> | <u>Fuel Tank Description:</u>  | <u>Quantity:</u> |
|---------------|---------------------|--------------------------------|------------------|
| 1             | 201323003           | Fuel Cap                       | 1                |
| 2             | 201352001           | Rollover Valve                 | 1                |
| 3             | 7.020.027           | Rubber Line (300mm)            | 1                |
| 4             | 9.106.065           | Bolt, M6x65                    | 4                |
| 5             | 7.020.011           | Rubber Bushing                 | 4                |
| 6             | 13-0629-01          | Fuel Tank w/rollover port      | 1                |
| 7             | 8.010.035           | Metal Collar                   | 4                |
| 8             | H5260071            | Fuel Tank Cradle               | 1                |
| 9             | 7.010.049           | R-Washer                       | 4                |
| 10            | 9.220.006           | Lock Nut M6                    | 4                |
| 11            | 6.000.046           | Vacuum Fuel Valve              | 1                |
| 12            | 7.020.028           | Vacuum Tube                    | 1                |
| 13            | 7.020.030           | Fuel Tube #1                   | 1                |
| 14            | 6.000.056           | Fuel Filter                    | 1                |
| 15            | 8.040.009           | Fuel Clip                      | 8                |
| 16            | 7.020.029           | Fuel Tube #2                   | 1                |
| 17            | 99-1300-01          | Fuel Tank Kit w/Rollover Valve | 1                |
| 18            | 9.300.006           | Flat Washer                    | 8                |

# FRAME COMPONENTS, BRUSH GUARDS



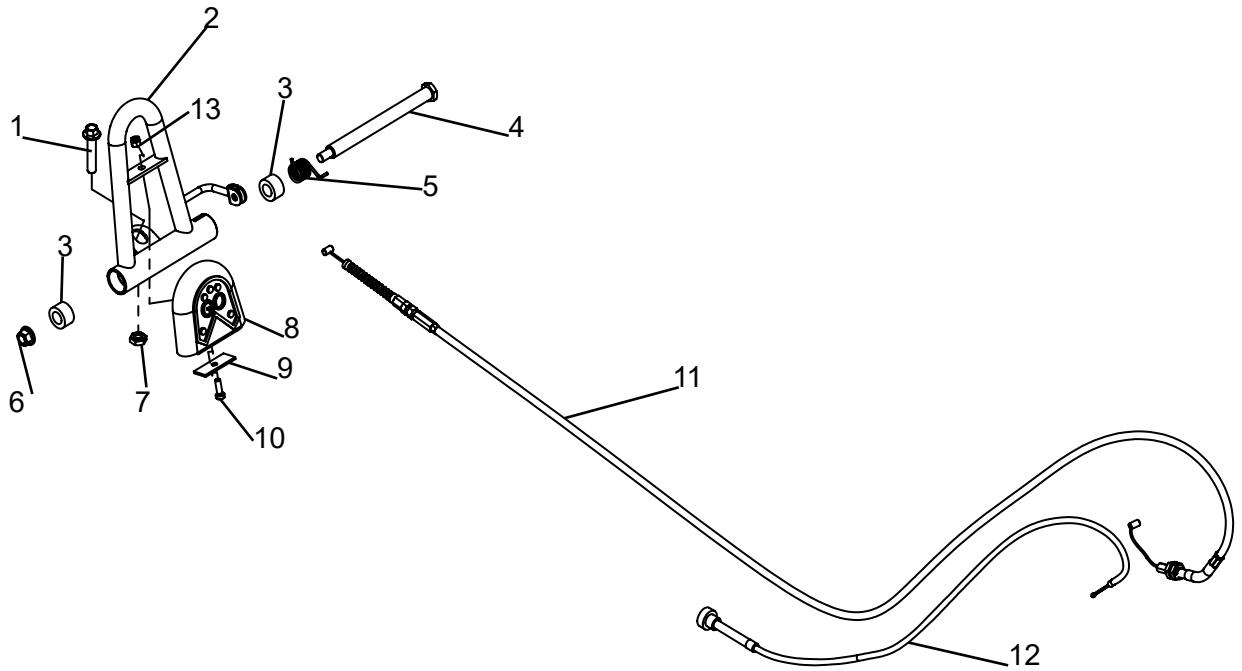
| Frame Components, Brush Guards |                     |  |                  |
|--------------------------------|---------------------|--|------------------|
| <u>Ref #:</u>                  | <u>Part Number:</u> | <u>Description:</u>                      | <u>Quantity:</u> |
| 1                              | 2.000.061-FB        | Rear Cargo Rack - Flat Black             | 1                |
| 2                              | 9.108.020           | Bolt m8x20                               | 4                |
| 3                              | 9.220.008           | Lock Nut m8                              | 4                |
| 4                              | 8.080.051-FB        | Rear Cargo Rack Support Arm - Flat Black | 2                |
| 5                              | 7.010.017           | Plastic Tube Seat 25                     | 6                |
| 6                              | 7.010.049           | R-Washer                                 | 20               |
| 7                              | 9.108.050           | Bolt m8x50                               | 8                |
| 8                              | 13-0101-00-FB       | Brush Guard Top Cross Bar - Flat Black   | 1                |
| 9                              | 13-0103-00-FB       | Brush Guard Side Arm Bar - Flat Black    | 2                |
| 10                             | 13-0102-00-FB       | Brush Guard Long Bar - Flat Black        | 2                |
| 11                             | 9.108.055           | Bolt m8x55                               | 6                |
| 12                             | 9.220.008           | Lock Nut m8                              | 6                |
| 13                             | 7.010.016           | Tube Seat 32                             | 2                |
| 14                             | 13-0801-00          | Bikini Top                               | 1                |

# PLASTIC COMPONENTS



| Plastic Components |                          |   |                  |
|--------------------|--------------------------|---|------------------|
| <u>Ref #:</u>      | <u>Part Number:</u>      | <u>Description:</u>                       | <u>Quantity:</u> |
| 1                  | 9.106.016                | Bolt m6x16                                | 10               |
| 2                  | 9.220.006                | Lock Nut m6                               | 10               |
| 3                  | 7.010.034-SS             | Front Fender                              | 2                |
| 4                  | 13-0625-01R              | Right Front Fender Bracket                | 1                |
| 5                  | 13-0201-00-(color code)  | Front Upper Hood (-Red, FB, BL, ORG, CM)  | 1                |
| 6                  | 13-0202-03-FB            | Front Lower Hood                          | 1                |
| 7                  | 003-060015-00            | Large Head Pan Screw m6x15                | 4                |
| 8                  | 13-0204-00R-(color code) | Right Rear Fender (-Red, FB, BL, ORG, CM) | 1                |
| 9                  | 9.106.014                | Bolt m6x14                                | 8                |
| 10                 | 13-0601-01R              | Right Rear Fender Bracket                 | 1                |
| 11                 | 13-0601-01L              | Left Rear Fender Bracket                  | 1                |
| 12                 | 13-0204-00L-(color code) | Left Rear Fender (-Red, FB, BL, ORG, CM)  | 1                |
| 13                 | 13-0625-01L              | Left Front Fender Bracket                 | 1                |
| 14                 | 003-050016-00            | Pan Screw m5x16                           | 6                |

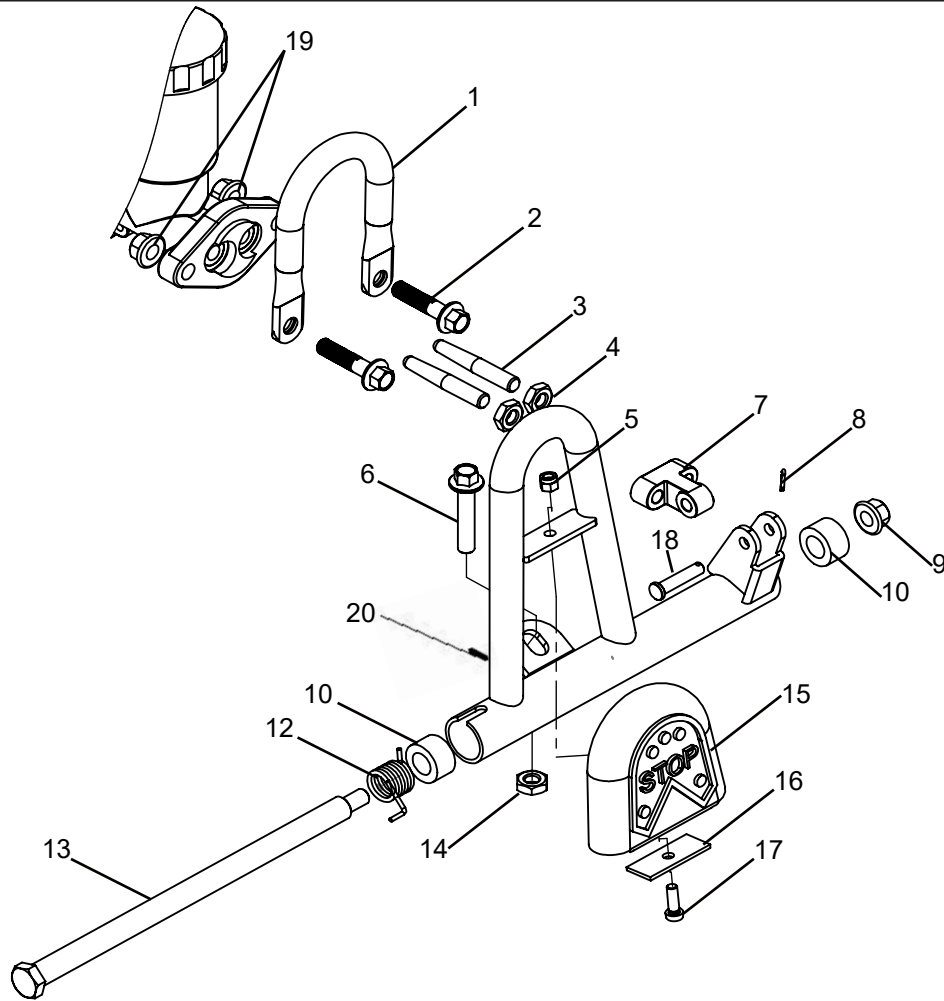
# GAS PEDAL ASSEMBLY & CABLES



| Gas Pedal Assembly and Cables |                     |                              |                  |
|-------------------------------|---------------------|------------------------------|------------------|
| <u>Ref #:</u>                 | <u>Part Number:</u> | <u>Description:</u>          | <u>Quantity:</u> |
| 1                             | 9.108.040           | Bolt m8x10                   | 1                |
| 2                             | 4.000.016           | Throttle Pedal               | 1                |
| 3                             | 7.010.004           | Bushing                      | 2                |
| 4                             | 9.708.145           | Throttle Pedal Bolt          | 1                |
| 5                             | 8.040.001           | Throttle Pedal Return Spring | 1                |
| 6                             | 9.220.008           | Lock Nut m8                  | 1                |
| 7                             | 9.200.008           | Nut m8                       | 1                |
| 8                             | 7.020.036           | Throttle Pedal Pad           | 1                |
| 9                             | H5260067            | Pedal Pad Plate              | 1                |
| 10                            | 9.600.515           | Pan Screw m5x15              | 1                |
| 11                            | 6.000.232           | Throttle Cable               | 1                |
| 12                            | 13-0705-00          | Choke Cable                  | 1                |
| 13                            | 9.200.005           | Nut m5                       | 1                |

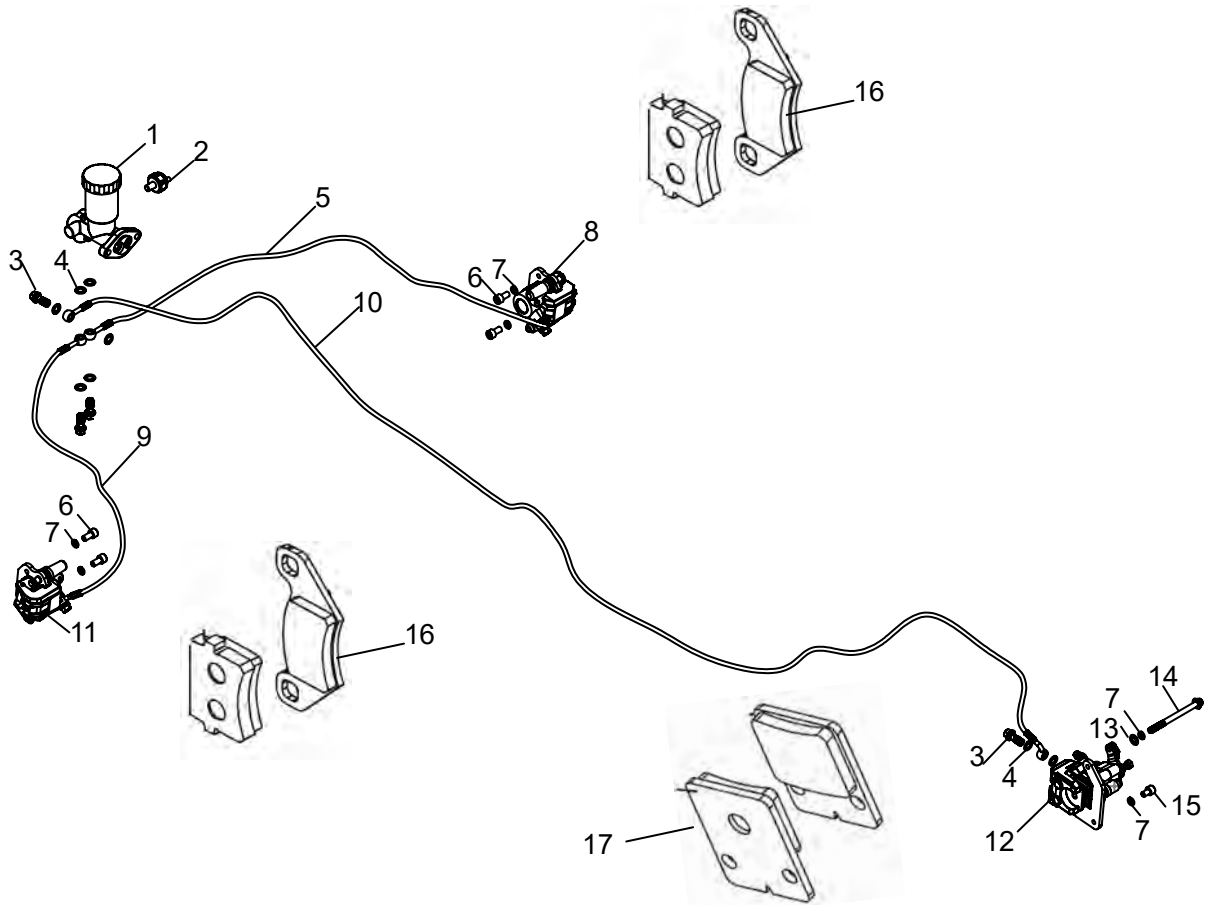


# BRAKE PEDAL ASSEMBLY



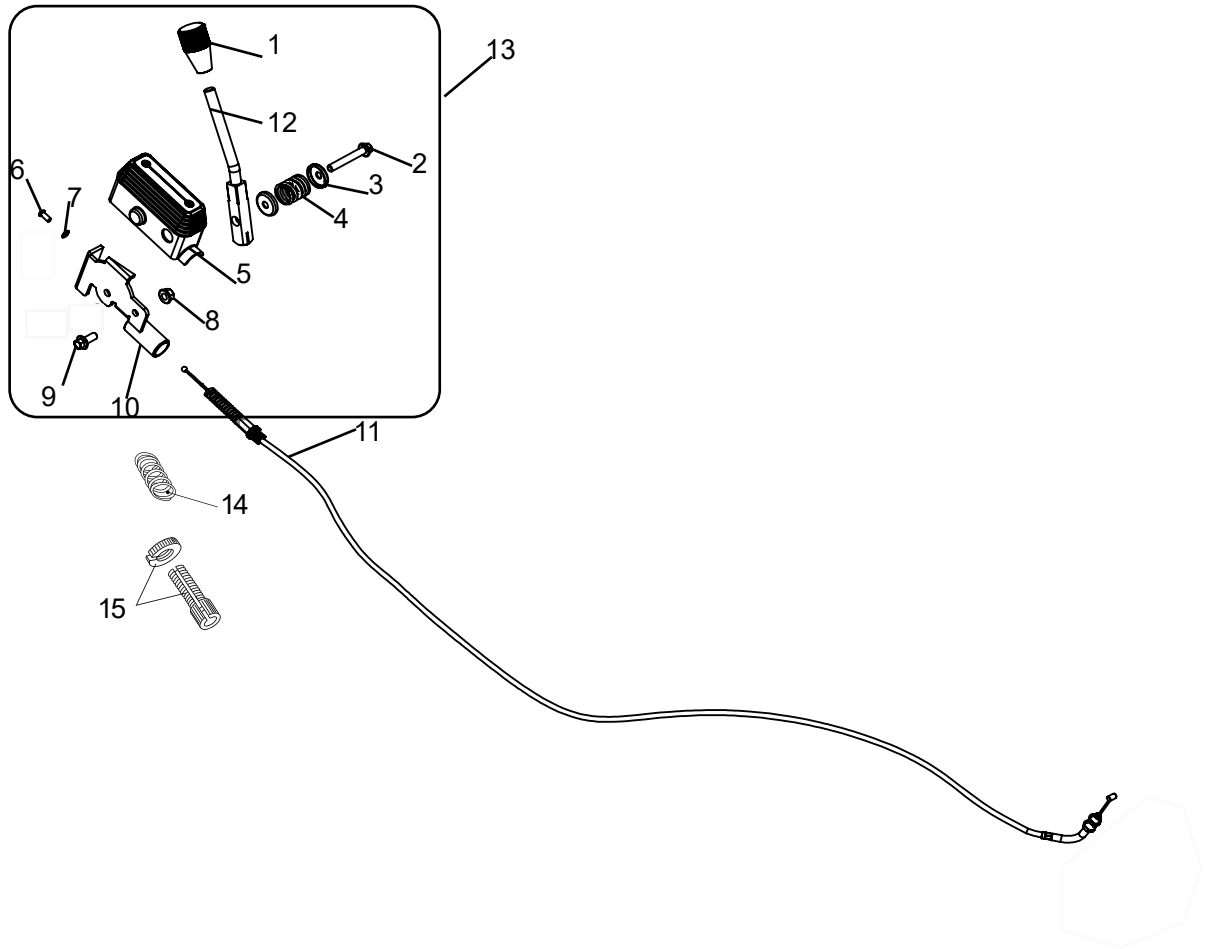
| Brake Pedal Assembly |              |                           |           |
|----------------------|--------------|---------------------------|-----------|
| Ref #:               | Part Number: | Description:              | Quantity: |
| 1                    | 8.070.044    | Master Cylinder Protector | 1         |
| 2                    | 9.108.035    | Bolt m8x35                | 2         |
| 3                    | 8.010.081    | Spindle Pin               | 2         |
| 4                    | 9.200.008    | Nut m8                    | 2         |
| 5                    | 9.200.005    | Nut m5                    | 1         |
| 6                    | 9.108.040    | Bolt m8x40                | 1         |
| 7                    | 8.030.024    | Spindle Bracket           | 1         |
| 8                    | 9.500.212    | Cotter Pin 2x12           | 1         |
| 9                    | 9.220.008    | Lock Nut m8               | 1         |
| 10                   | 7.010.004    | Bushing                   | 2         |
| 12                   | 8.040.007    | Brake Pedal Return Spring | 1         |
| 13                   | 9.708.222    | Brake Pedal Bolt m8x222   | 1         |
| 14                   | 9.200.008    | Nut m8                    | 1         |
| 15                   | 7.020.037    | Brake Pedal Pad           | 1         |
| 16                   | H5260067     | Pedal Pad Plate           | 1         |
| 17                   | 9.600.515    | Pan Screw m5x15           | 1         |
| 18                   | 9.700.624    | Pin 6x24                  | 1         |
| 19                   | 9.220.008    | Lock Nut m8               | 2         |
| 20                   | 4.000.015    | Brake Pedal               | 1         |

# BRAKE SYSTEM



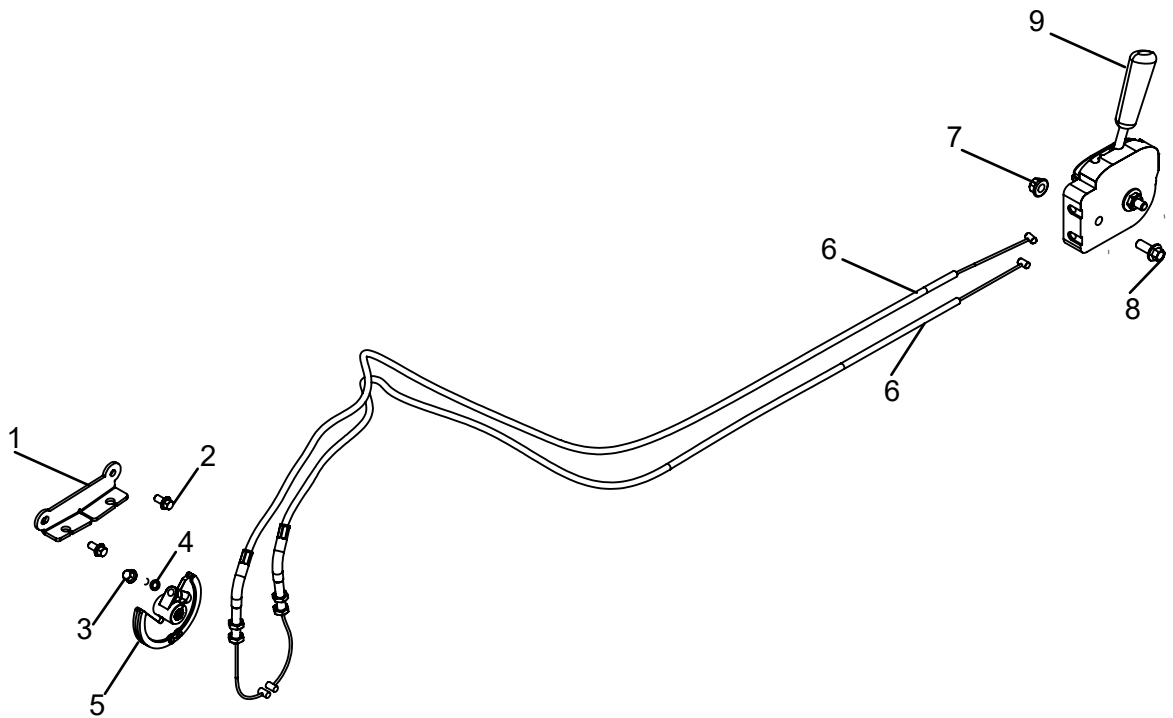
| Brake System |              |                                |           |
|--------------|--------------|--------------------------------|-----------|
| Ref #:       | Part Number: | Description:                   | Quantity: |
| 1            | 6.000.076    | Brake Master Cylinder Assembly | 1         |
| 2            | 6.000.063    | Brake light Switch             | 1         |
| 3            | 9.700.004    | Banjo Bolt m10x24              | 6         |
| 4            | 13-1422-00   | Copper Crush Washer            | 12        |
| 5            | 6.000.090    | Brake Hose 43"                 | 1         |
| 6            | 9.908.014    | Allen Head Bolt m8x14          | 4         |
| 7            | 9.400.008    | Lock Washer 8                  | 6         |
| 8            | 6.000.095    | Right Front Brake Caliper      | 1         |
| 9            | 6.000.089    | Brake Hose 34"                 | 1         |
| 10           | 6.000.091    | Brake Hose 75"                 | 1         |
| 11           | 6.000.028    | Left Front Brake Caliper       | 1         |
| 12           | 6.000.229    | Rear Brake Caliper             | 1         |
| 13           | 9.300.008    | Flat Washer 8                  | 1         |
| 14           | 9.108.100    | Bolt m8x100                    | 1         |
| 15           | 9.908.012    | Allen Head Bolt m8x12          | 1         |
| 16           | 7.020.016    | Front Brake Pad Set            | 2         |
| 17           | 7.020.022    | Rear Brake Pad Set             | 1         |

# PARKING BRAKE ASSEMBLY



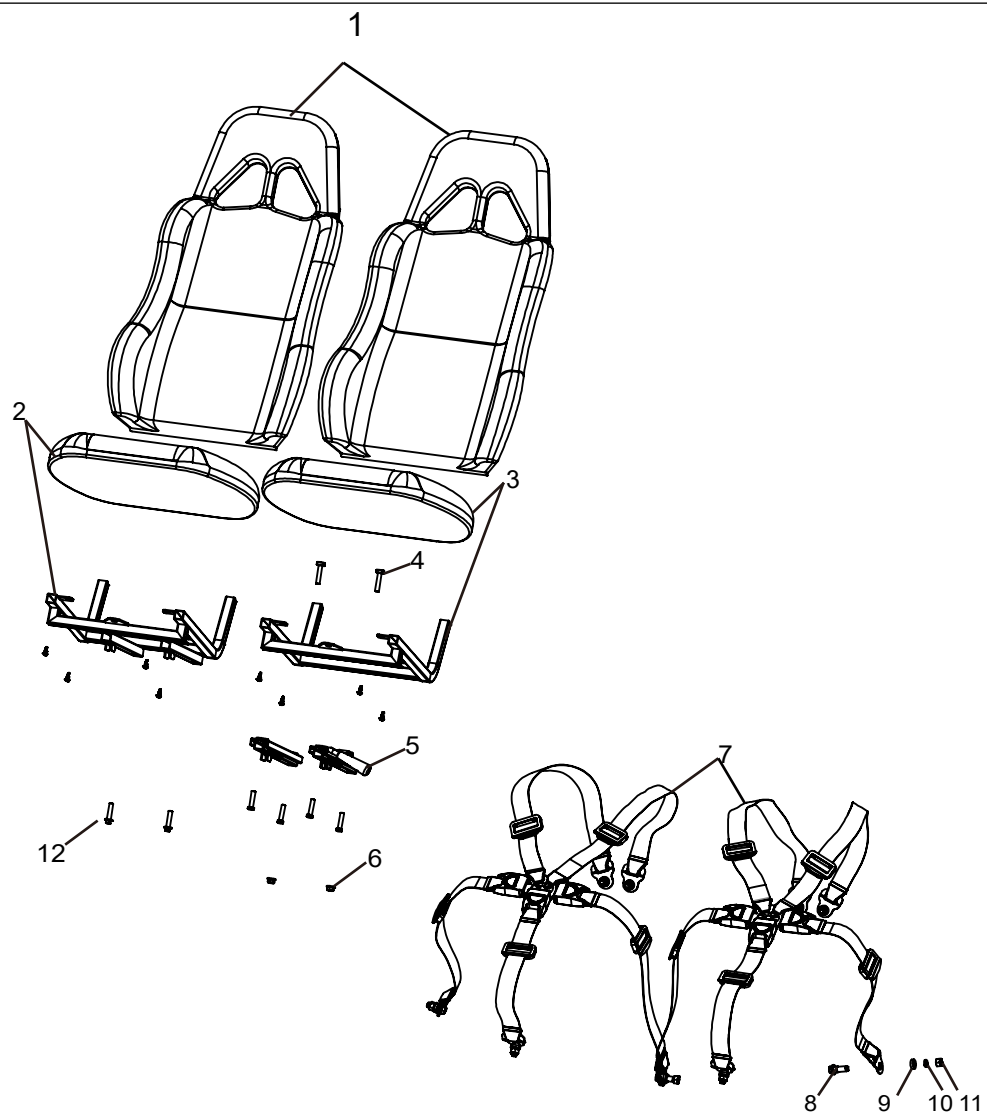
| Parking Brake Assembly |                     |                               |                  |
|------------------------|---------------------|-------------------------------|------------------|
| <u>Ref #:</u>          | <u>Part Number:</u> | <u>Description:</u>           | <u>Quantity:</u> |
| 1                      | 7.020.026           | Rubber Knob                   | 1                |
| 2                      | 9.108.040           | Bolt m8x40                    | 1                |
| 3                      | 8.020.082           | Washer Spacer                 | 2                |
| 4                      | 8.040.003           | Spring                        | 1                |
| 5                      | 7.020.024           | Rubber Cover                  | 1                |
| 6                      | 9.600.512           | Pan Screw m5x12               | 1                |
| 7                      | 9.300.005           | Flat Washer 5                 | 1                |
| 8                      | 9.220.008           | Lock Nut m8                   | 1                |
| 9                      | 9.108.020           | Bolt m8x20                    | 1                |
| 10                     | 6.000.064           | Lever Bracket                 | 1                |
| 11                     | 6.000.050           | Parking Brake Cable           | 1                |
| 12                     | 6.000.065           | Lever Rod                     | 1                |
| 13                     | 6.000.042           | Parking Brake Handle Assembly | 1                |
| 14                     | 8.040.004           | Cable Spring                  | 1                |
| 15                     | 6.000.051           | Cable Adjusting Bolt          | 1                |

# SHIFTER / SHIFTER CABLES



| Shifter / Shifter Cables |                     |                     |                  |
|--------------------------|---------------------|---------------------|------------------|
| <u>Ref #:</u>            | <u>Part Number:</u> | <u>Description:</u> | <u>Quantity:</u> |
| 1                        | 14473               | Shift Cable Bracket | 1                |
| 2                        | 9.106.014           | Bolt m6x14          | 2                |
| 3                        | 9.106.020           | Bolt m6x20          | 1                |
| 4                        | 9.400.006           | Lock Washer 6       | 1                |
| 5                        | 14750               | Shift Disc          | 1                |
| 6                        | 14456               | Shift Cable         | 2                |
| 7                        | 9.220.008           | Lock Nut m8         | 1                |
| 8                        | 9.108.020           | Bolt m8x20          | 1                |
| 9                        | 14478               | Shifter Assembly    | 1                |

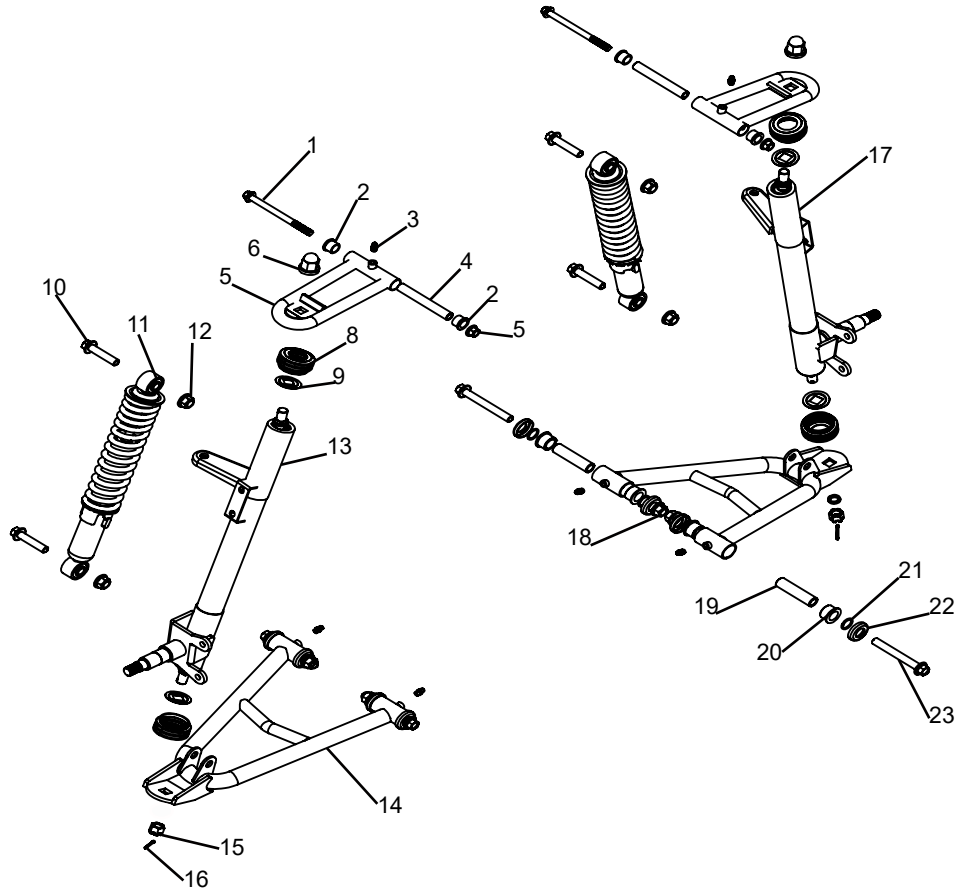
# SEAT ASSEMBLY



| <u>Ref #:</u> | <u>Part Number:</u> | <u>Seat Assembly</u><br><u>Description:</u> | <u>Quantity:</u> |
|---------------|---------------------|---|------------------|
| 1             | 13-0401-01          | Seat Back                                   | 2                |
| 2             | 13-0401-01R         | Right Seat Bottom (passenger)               | 1                |
| 3             | 13-0401-01L         | Left Seat Bottom (driver)                   | 1                |
| 4             | 9.900.840           | Seat Rail Bolt                              | 2                |
| 5             | 6.000.057           | Seat Rail Set                               | 1                |
| 6             | 9.220.008           | Lock Nut m8                                 | 2                |
| 7             | 6.000.354           | Safety Belt Set                             | 1                |
| 8             | 9.700.001           | Special Safety Belt Bolt 7/16               | 9                |
| 9             | 9.700.002           | Special Safety Belt Washer 7/16             | 9                |
| 10            | 9.700.005           | Special Safety Belt Lock Washer 7/16        | 9                |
| 11            | 9.700.003           | Special Safety Belt Nut 7/16                | 9                |
| 12            | 9.108.040           | Bolt m8x40                                  | 2                |

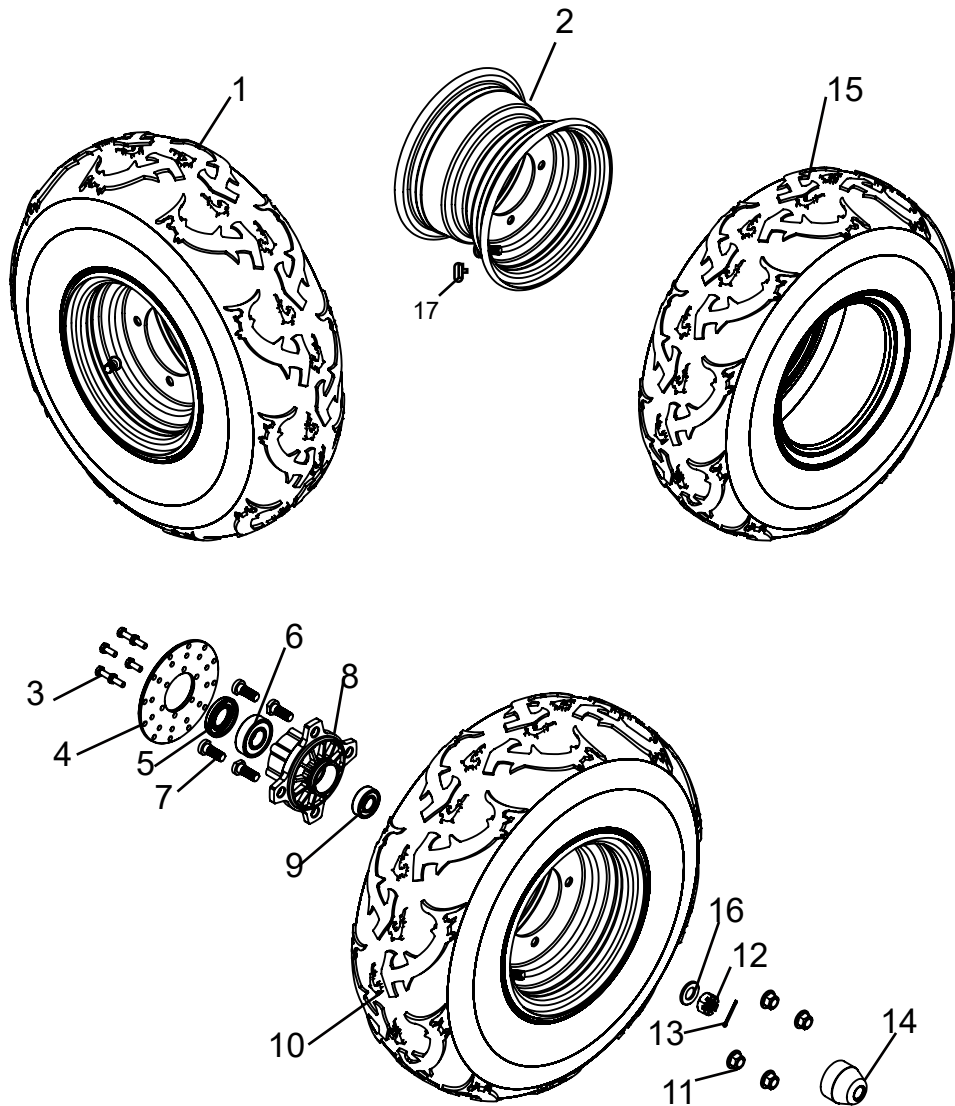


# FRONT SUSPENSION



| Front Suspension |               |  |           |
|------------------|---------------|--|-----------|
| Ref #:           | Part Number:  | Description:                             | Quantity: |
| 1                | 9.108.105     | Bolt m8x105                              | 2         |
| 2                | 7.010.003     | Nylon Bushing, Upper Suspension Arm      | 4         |
| 3                | 7082290       | Grease Zert                              | 6         |
| 4                | 8.010.015     | Collar, Upper Suspension Arm             | 2         |
| 5                | 9.220.008     | Lock Nut m8                              | 2         |
| 6                | 8.010.140     | Acorn Nut m12                            | 2         |
| 7                | 4.000.004-SLV | Upper Suspension Arm (silver)            | 2         |
| 8                | 7.020.025     | Ball Head Dust Cover                     | 4         |
| 9                | 8.020.053     | Ball Head Spacer                         | 4         |
| 10               | 9.110.040     | Bolt m10x40                              | 4         |
| 11               | 6.000.325     | Front Shock                              | 2         |
| 12               | 9.220.010     | Lock Nut m10                             | 4         |
| 13               | 13-1515-00L   | Left Front Strut and Spindle             | 1         |
| 14               | 4.000.023-SLV | Lower Suspension Arm (silver)            | 2         |
| 15               | 9.800.012     | Castle Nut m12                           | 2         |
| 16               | 9.500.200     | Cotter Pin                               | 2         |
| 17               | 13-1515-00R   | Right Front Strut and Spindle            | 1         |
| 18               | 9.220.010     | Lock Nut m10                             | 4         |
| 19               | 8.010.014     | Collar, Lower Suspension Arm 13.5mm      | 4         |
| 20               | 7.010.002     | Nylon Bushing, Lower Suspension Arm 59mm | 8         |
| 21               | 9.040.001     | O-Ring 21.2x2.65                         | 8         |
| 22               | 8.020.034     | Lower Suspension Arm Washer              | 8         |
| 23               | 9.110.080     | Bolt m10x80                              | 4         |

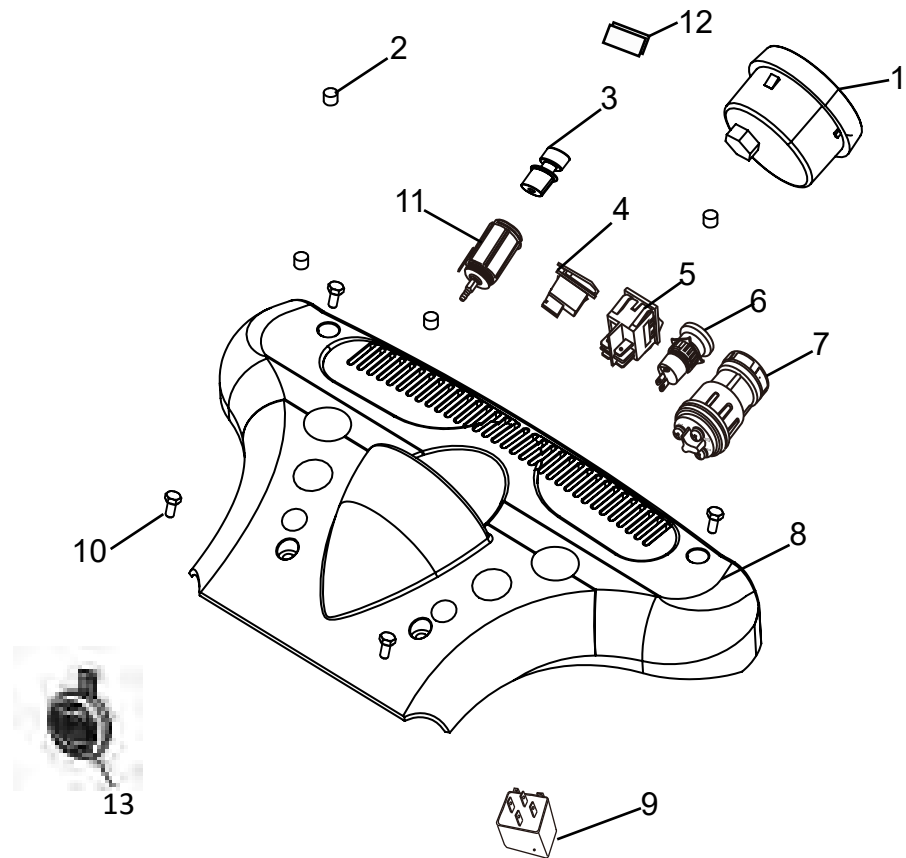
# FRONT WHEEL ASSEMBLY



| Front Wheel Assembly |                     |                                 |                  |
|----------------------|---------------------|---------------------------------|------------------|
| <u>Ref #:</u>        | <u>Part Number:</u> | <u>Description:</u>             | <u>Quantity:</u> |
| 1                    | 13-0903-01          | Right Front Tire/Wheel Assembly | 1                |
| 2                    | 002-100080-03       | 8" Steel Front Wheel (black)    | 2                |
| 3                    | H7510035            | Bolt m6x12                      | 6                |
| 4                    | 8.010.054           | Front Brake Disc                | 2                |
| 5                    | 9.040.002           | Dust Seal 47x25-7               | 2                |
| 6                    | 9.030.002           | Bearing 6204-Z                  | 2                |
| 7                    | 9.710.031           | Wheel Stud m10x31               | 8                |
| 8                    | 8.010.085B          | Front Wheel Hub (black)         | 2                |
| 9                    | 9.030.010           | Bearing 6202-Z                  | 2                |
| 10                   | 13-0901-01          | Left Front Tire/Wheel Assembly  | 1                |
| 11                   | 9.220.010           | Lock Nut m10                    | 8                |
| 12                   | 9.800.014           | Castle Nut m14                  | 2                |
| 13                   | 9.500.220           | Cotter Pin 2x20                 | 2                |
| 14                   | 7.020.039           | Rubber Hub Dust Cover           | 2                |
| 15                   | 001-190708-01       | Front Tire 19x7-8 HH Tread      | 2                |
| 16                   | 9.300.014           | Washer                          | 2                |
| 17                   | 9.300.014           | Valve Stem                      | 2                |

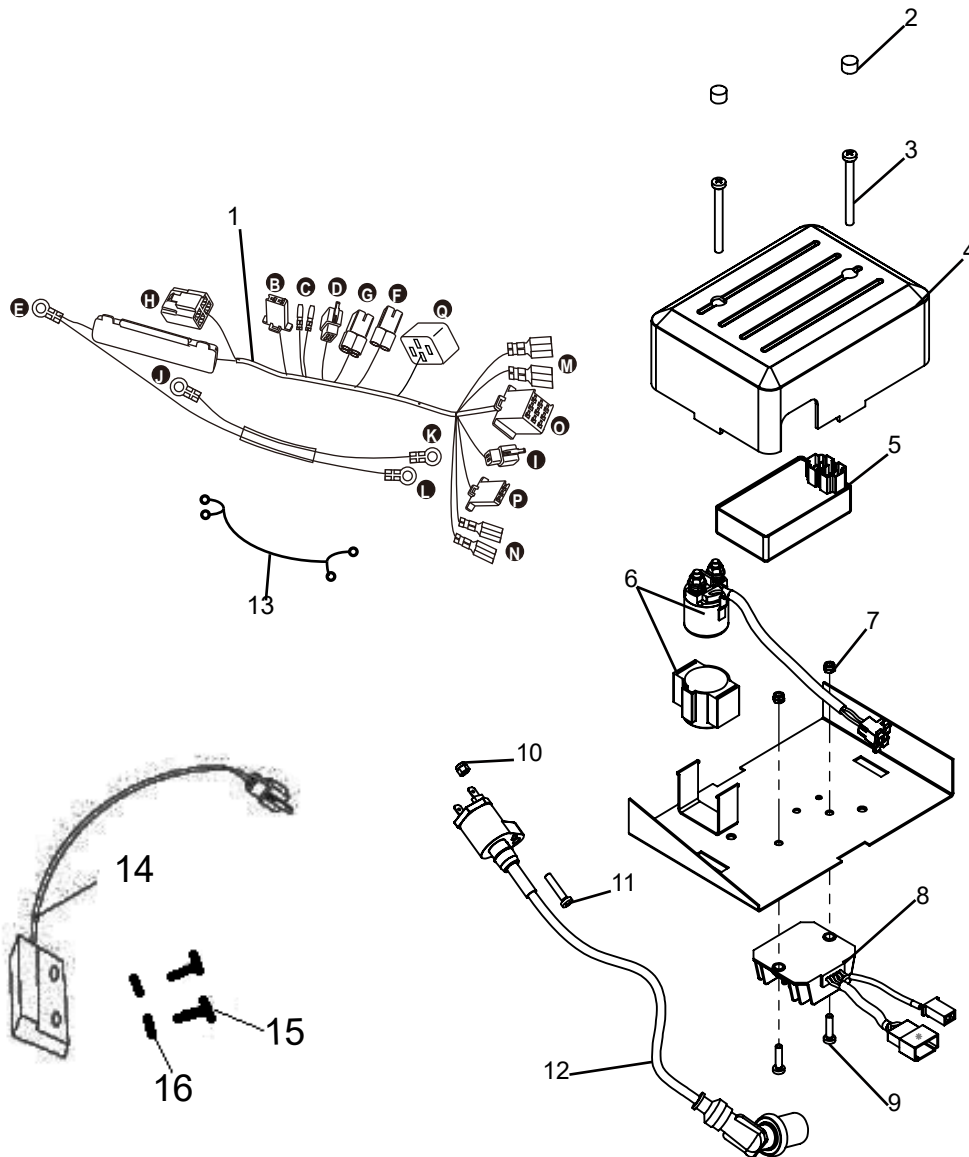


# DASH PANEL



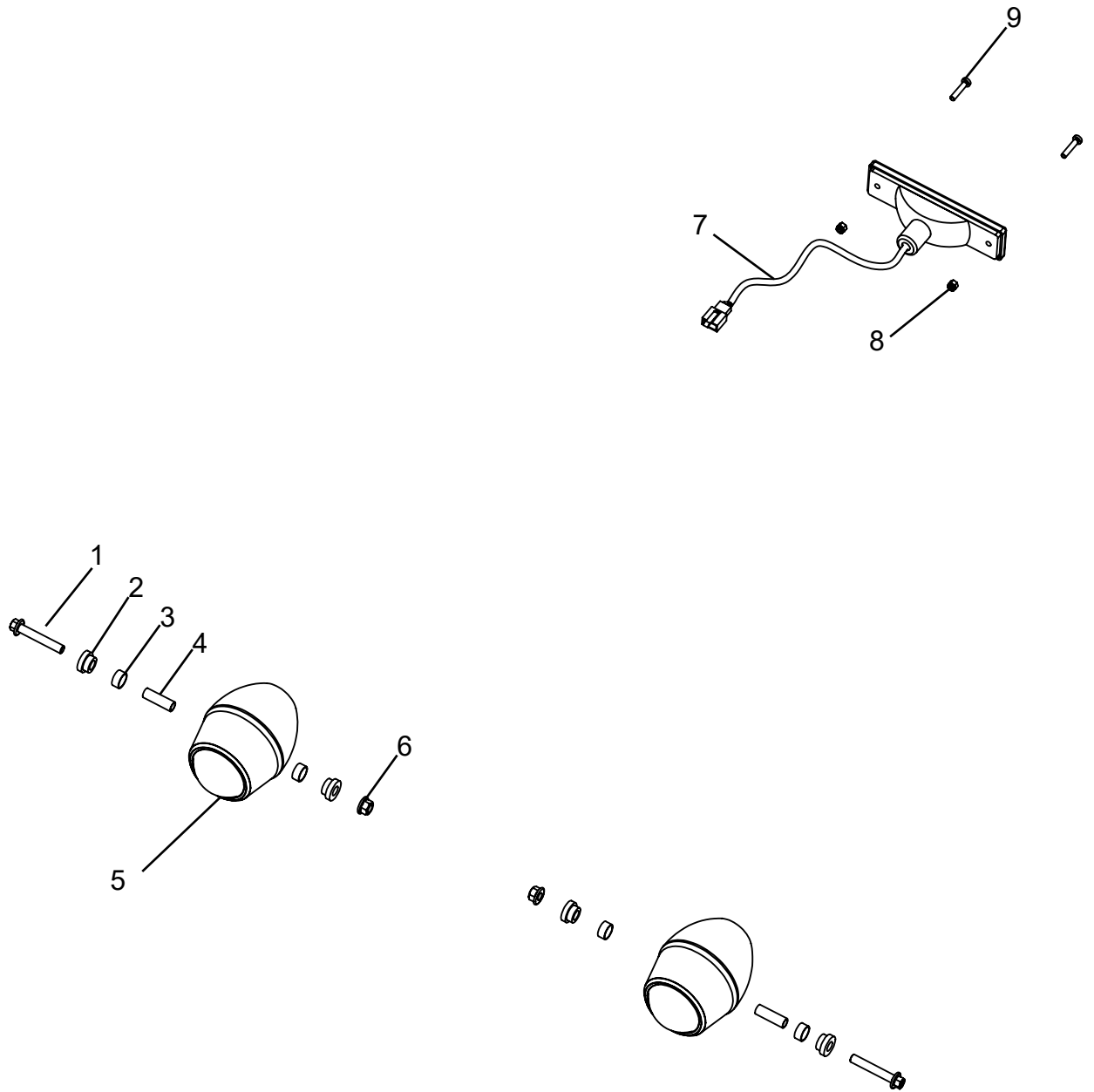
| Dash Panel    |                     |                          |                  |
|---------------|---------------------|--------------------------|------------------|
| <u>Ref #:</u> | <u>Part Number:</u> | <u>Description:</u>      | <u>Quantity:</u> |
| 1             | 13-0305-00          | Digital Speedometer      | 1                |
| 2             | 7.010.061           | Rubber Screw Cover       | 4                |
| 3             | 7.020.051           | Rubber Power Outlet Plug | 1                |
| 4             | 6.000.079           | Horn Button              | 1                |
| 5             | 6.000.058           | Headlight Switch         | 1                |
| 6             | 6.000.159           | Engine Kill Button       | 1                |
| 7             | 6.000.158           | Ignition Key Switch      | 1                |
| 8             | 7.110.038           | Plastic Dash Panel       | 1                |
| 9             | 6.000.072           | Control Relay            | 1                |
| 10            | 9.600.615           | Screw M6x15              | 4                |
| 11            | 6.000.087           | 12v Power Outlet         | 1                |
| 12            | 13-0508-00          | Rubber Plug              | 1                |
| 13            | 6.000.135           | Horn                     | 1                |

# ELECTRICAL COMPONENTS AND COVER



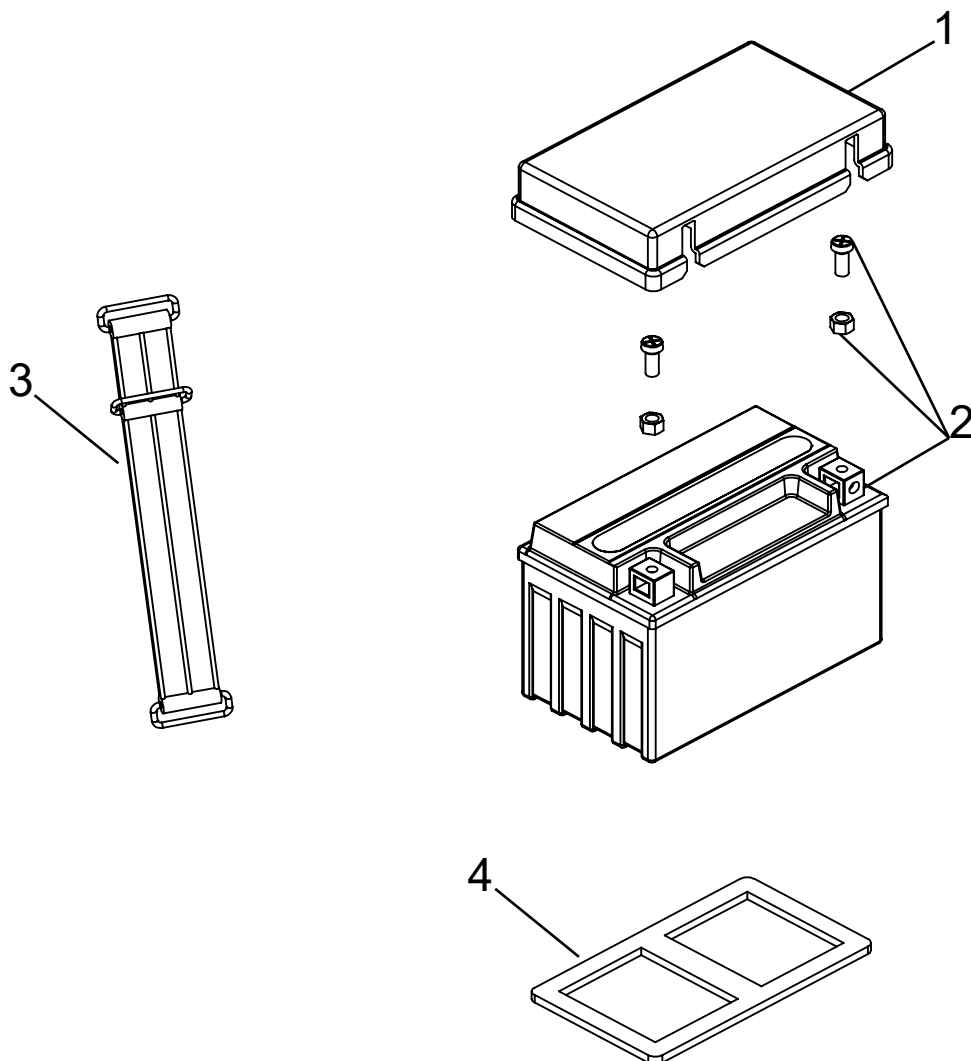
| <u>Ref #:</u> | <u>Part Number:</u> | <u>Electrical Components and Cover</u> | <u>Quantity:</u> |
|---------------|---------------------|--|------------------|
| <u>Ref #:</u> | <u>Part Number:</u> | <u>Description:</u>                    | <u>Quantity:</u> |
| 1             | 13-0303-02          | Wiring Harness                         | 1                |
| 2             | 7.010.061           | Rubber Screw Cover                     | 2                |
| 3             | 9.600.655           | Pan Screw m6x65                        | 2                |
| 4             | 7.010.029           | Electrical Cover                       | 1                |
| 5             | 13-0322-00          | CDI (7500)                             | 1                |
| 6             | 6.000.035           | Starter Relay                          | 1                |
| 7             | 9.220.006           | Lock Nut m6                            | 2                |
| 8             | 6.000.124-GTS       | Regulator/Rectifier                    | 1                |
| 9             | 9.106.016           | Bolt m6x25                             | 2                |
| 10            | 9.220.006           | Lock Nut m6                            | 1                |
| 11            | 9.106.025           | Bolt m6x25                             | 1                |
| 12            | 6.000.126           | Ignition Coil with Plug Wire           | 1                |
| 13            | 6.000.204           | Positive and Negative Battery Cable    | 1                |
| 14            | 6.000.268           | Speedometer Sensor                     | 1                |
| 15            | H7510045            | Screw, m3x10                           | 2                |
| 16            | 12.026.027          | Nut, m3                                | 2                |

# HEADLIGHTS AND TAILLIGHT



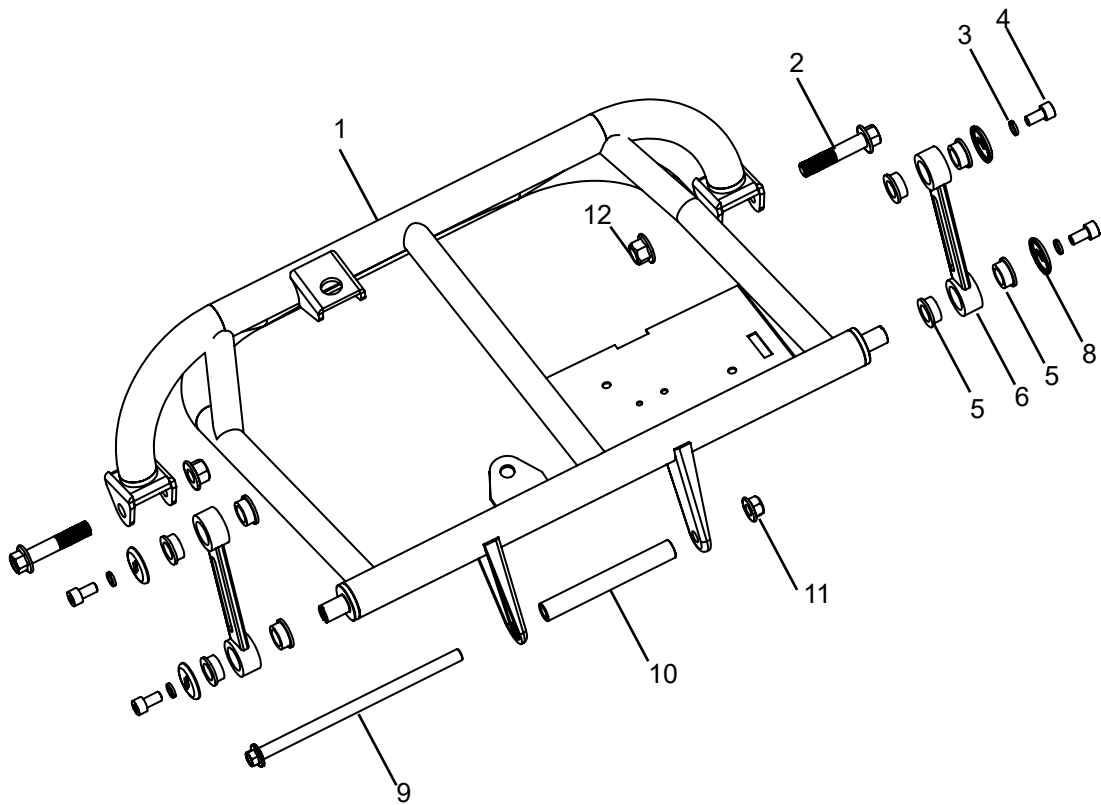
| Headlights and Taillight |                     |                     |                  |
|--------------------------|---------------------|---------------------|------------------|
| <u>Ref #:</u>            | <u>Part Number:</u> | <u>Description:</u> | <u>Quantity:</u> |
| 1                        | 9.108.050           | Bolt m8x50          | 2                |
| 2                        | 7.020.049           | Rubber Mount        | 4                |
| 3                        | 8.010.049           | Headlight Spacer    | 2                |
| 4                        | 8.010.048           | Headlight Collar    | 2                |
| 5                        | 13-0206-00          | Headlight           | 2                |
| 6                        | 9.220.008           | Lock Nut m8         | 2                |
| 7                        | 201029004           | LED Rear Taillight  | 1                |
| 8                        | 9.200.005           | Nut m5              | 2                |
| 9                        | 9.600.520           | Pan Screw m5x20     | 2                |

# BATTERY



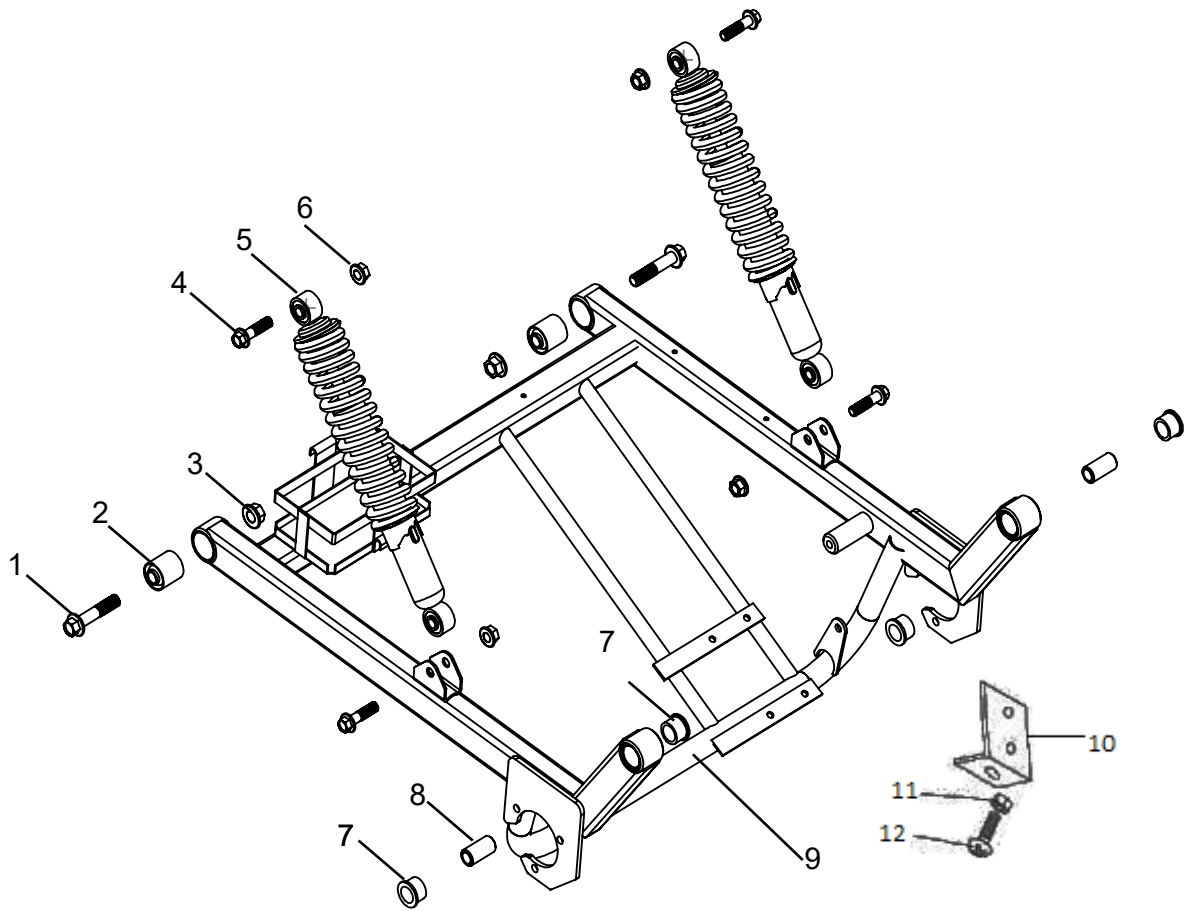
| <u>Ref #:</u> | <u>Part Number:</u> | <b>Battery</b><br><u>Description:</u> | <u>Quantity:</u> |
|---------------|---------------------|---------------------------------------|------------------|
| 1             | 7.010.028           | Plastic Battery Cover                 | 1                |
| 2             | 6.000.055           | Battery GTX9-BX                       | 1                |
| 3             | 7.020.023           | Rubber Battery Band                   | 1                |
| 4             | 7.020.020           | Lower Battery Cushion                 | 1                |

# UPPER SWINGARM



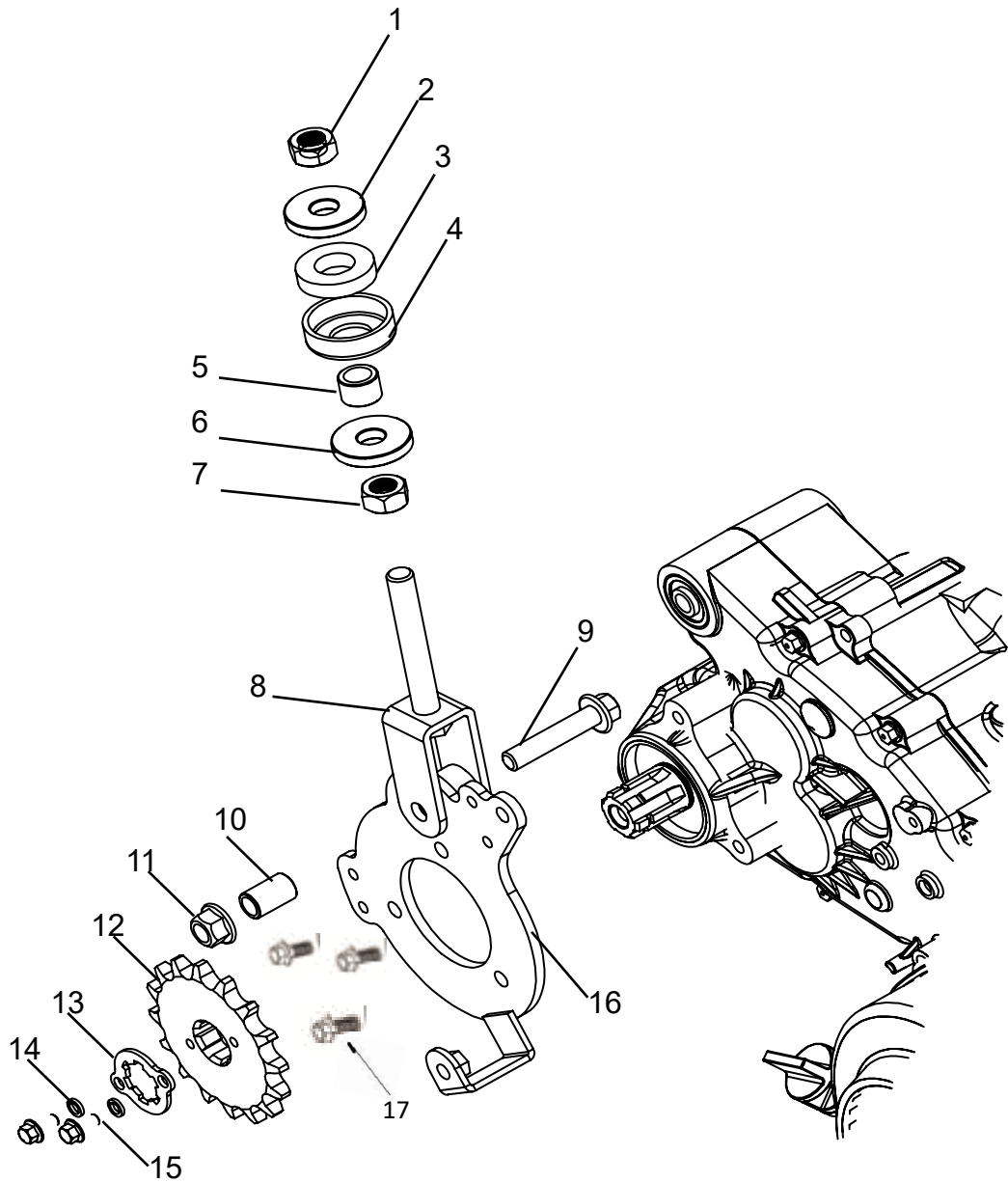
| Upper Swing Arm |              |                     |           |
|-----------------|--------------|---------------------|-----------|
| Ref #:          | Part Number: | Description:        | Quantity: |
| 1               | 2.000.062    | Upper Swing Arm     | 1         |
| 2               | 9.112.060    | Bolt m12x60         | 2         |
| 3               | 9.400.008    | Lock Washer 8       | 4         |
| 4               | 9.908.016    | Allen Bolt m8x16    | 4         |
| 5               | 7.010.008    | Bushing             | 8         |
| 6               | 8.030.001    | Swing Arm Dog Bone  | 2         |
| 8               | 8.020.013    | Washer Plate        | 4         |
| 9               | 9.110.195    | Bolt m10x195        | 1         |
| 10              | 8.010.025    | Engine Mount Collar | 1         |
| 11              | 9.220.010    | Lock Nut m10        | 1         |
| 12              | 9.220.012    | Lock Nut m12        | 2         |

# LOWER SWINGARM



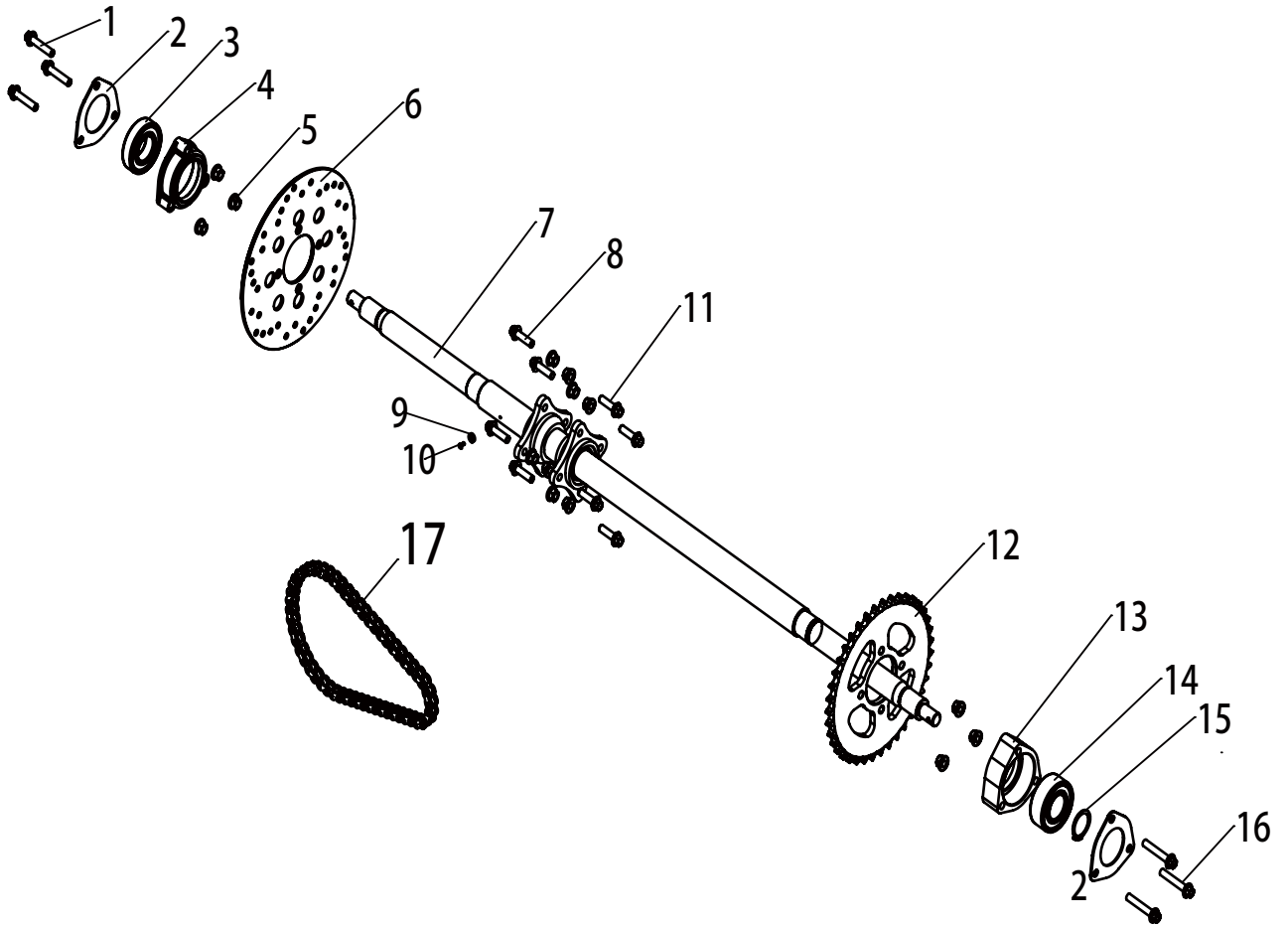
| Lower Swingarm |                     |                                      |                  |
|----------------|---------------------|--------------------------------------|------------------|
| <u>Ref #:</u>  | <u>Part Number:</u> | <u>Description:</u>                  | <u>Quantity:</u> |
| 1              | 9.112.060           | Bolt m12x60                          | 2                |
| 2              | 7.020.008           | Swing Arm Bushing                    | 2                |
| 3              | 9.220.012           | Lock Nut m12                         | 2                |
| 4              | 9.110.040           | Bolt m10x40                          | 4                |
| 5              | 6.000.006           | Rear Shock                           | 2                |
| 6              | 9.220.010           | Lock Nut m10                         | 4                |
| 7              | 7.010.006           | Bushing                              | 4                |
| 8              | 8.010.028           | Collar                               | 2                |
| 9              | 13-0626-01          | Lower Swingarm With Oil Cooler Mount | 1                |
| 10             | 8.020.197           | Speed Senor Bracket                  | 1                |
| 11             | 9.220.006           | Lock Nut m6                          | 1                |
| 12             | 9.106.020           | Flange Bolt m6x20                    | 1                |

# ENGINE HANGER



| Ref #: | Part Number: | Engine Hanger<br>Description:      | Quantity: |
|--------|--------------|------------------------------------|-----------|
| 1      | 9.220.012    | Lock Nut m12                       | 1         |
| 2      | 8.010.042    | Washer, Engine Mount Link          | 1         |
| 3      | 7.020.001    | Cushion, Engine Mount Link         | 1         |
| 4      | 8.020.045    | Spacer Cup, Engine Mount Link      | 1         |
| 5      | 8.0100.41    | Collar, Engine Mount Link          | 1         |
| 6      | 9.300.012    | Flat Washer 12                     | 1         |
| 7      | 9.200.012    | Nut m12                            | 1         |
| 8      | 205043043    | Adjuster Rod, Engine Mount Link    | 1         |
| 9      | 9.110.045    | Bolt m10x45                        | 1         |
| 10     | 8.010.076    | Adjuster Collar, Engine Mount Link | 1         |
| 11     | 9.220.010    | Lock Nut m10                       | 1         |
| 12     | 14217        | Engine Sprocket 16T 50P            | 1         |
| 13     | 14218        | Sprocket Keeper                    | 1         |
| 14     | 9.400.006    | Lock Washer 6                      | 2         |
| 15     | 9.106.012    | Bolt m6x12                         | 2         |
| 16     | 14480        | Upper Chain Guard Bracket          | 1         |
| 17     | 9.108.016    | Flange Bolt m8x1.25x16             | 3         |

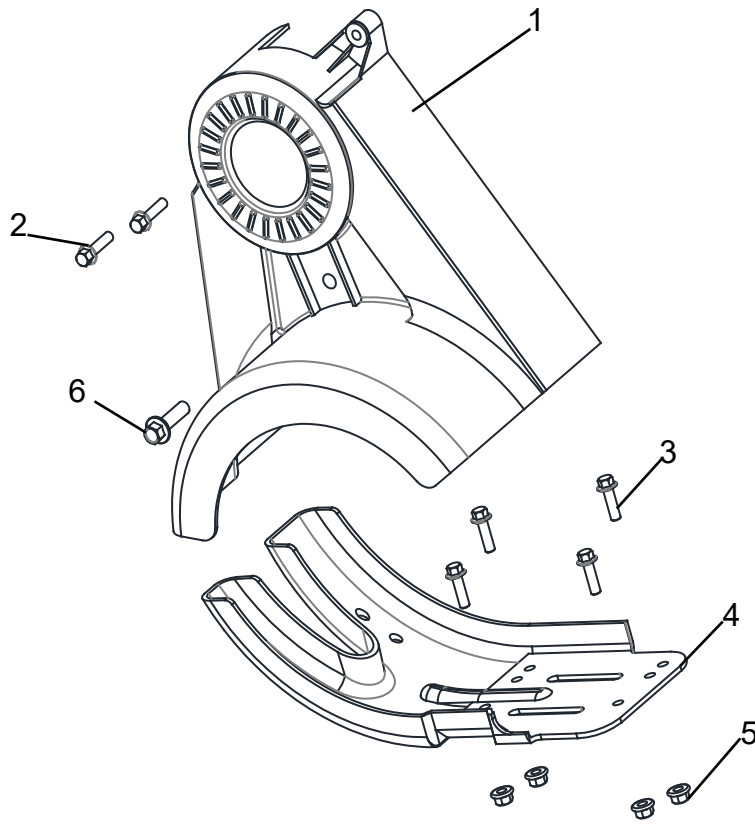
# REAR AXLE ASSEMBLY



| Rear Axle Assembly |              |                                  |           |
|--------------------|--------------|----------------------------------|-----------|
| Ref #:             | Part Number: | Description:                     | Quantity: |
| 1                  | 9.108.040    | Flange Bolt m8x1.25x40           | 3         |
| 2                  | 13-1519-01   | Cover, Bearing Housing Base      | 2         |
| 3                  | 010-62062-01 | Sealed Bearing 6206-2RZ          | 1         |
| 4                  | 8.030.033    | Bearing Housing, Right Side Axle | 1         |
| 5                  | 9.220.008    | Lock Nut M8                      | 14        |
| 6                  | 8.010.053    | Brake Disc                       | 1         |
| 7                  | 13-1101-02   | Rear Axle 41"                    | 1         |
| 8                  | 9.108.022    | Bolt M8x22                       | 4         |
| 9                  | 7.050.001    | Magnet                           | 1         |
| 10                 | 9.600.308    | Pan Screw M6x8                   | 1         |
| 11                 | 9.108.027    | Bolt M8x27                       | 4         |
| 12                 | 13-1110-00   | Axle Sprocket 39T                | 1         |
| 13                 | 13-1518-01   | Bearing Housing, Left Side Axle  | 1         |
| 14                 | 010-32062-01 | Sealed Bearing 3206-2RZ          | 1         |
| 15                 | 016-30020-01 | Circlip 30x2.0, Axle Bearing     | 1         |
| 16                 | 9.108.050    | Flange Bolt m8x1.25x50           | 3         |
| 17                 | 13-1103-00   | Axle Drive Chain 530x56          | 1         |

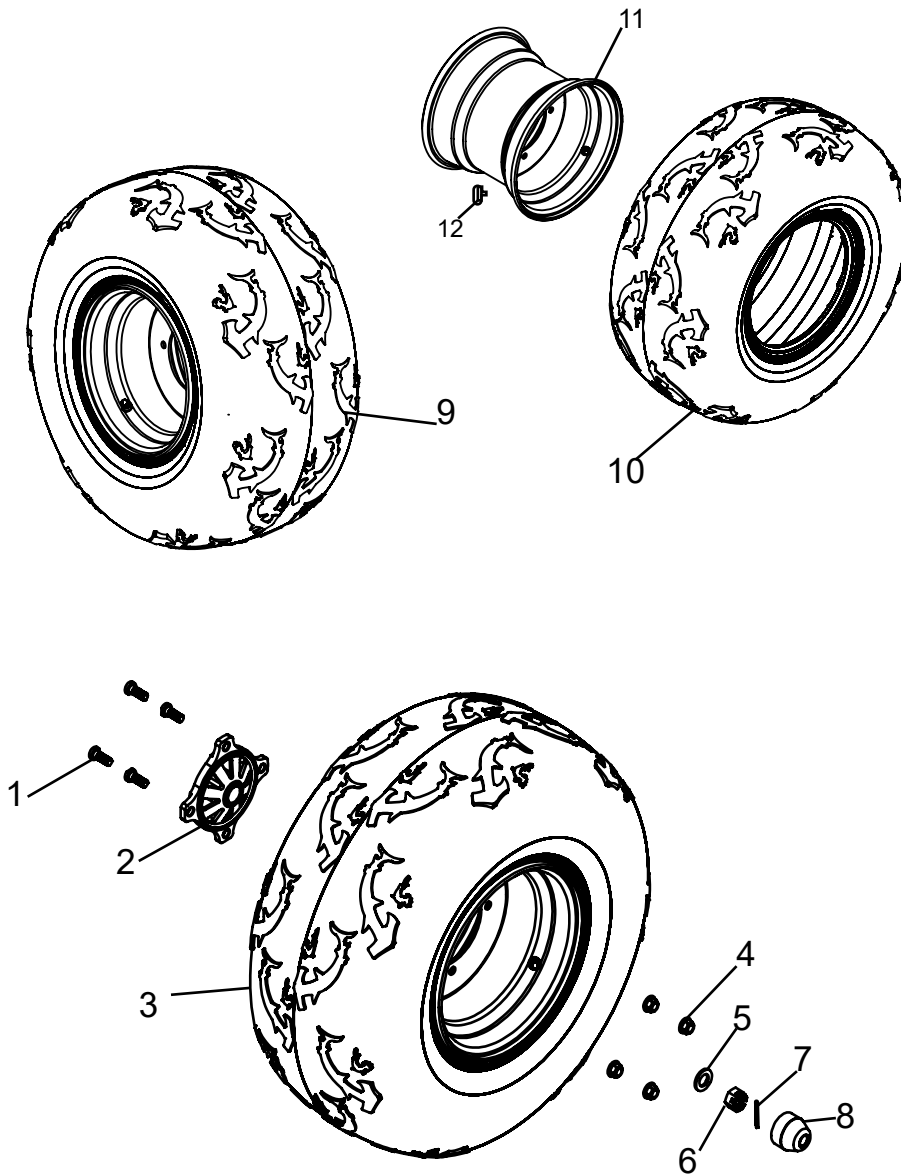


# CHAIN GUARD



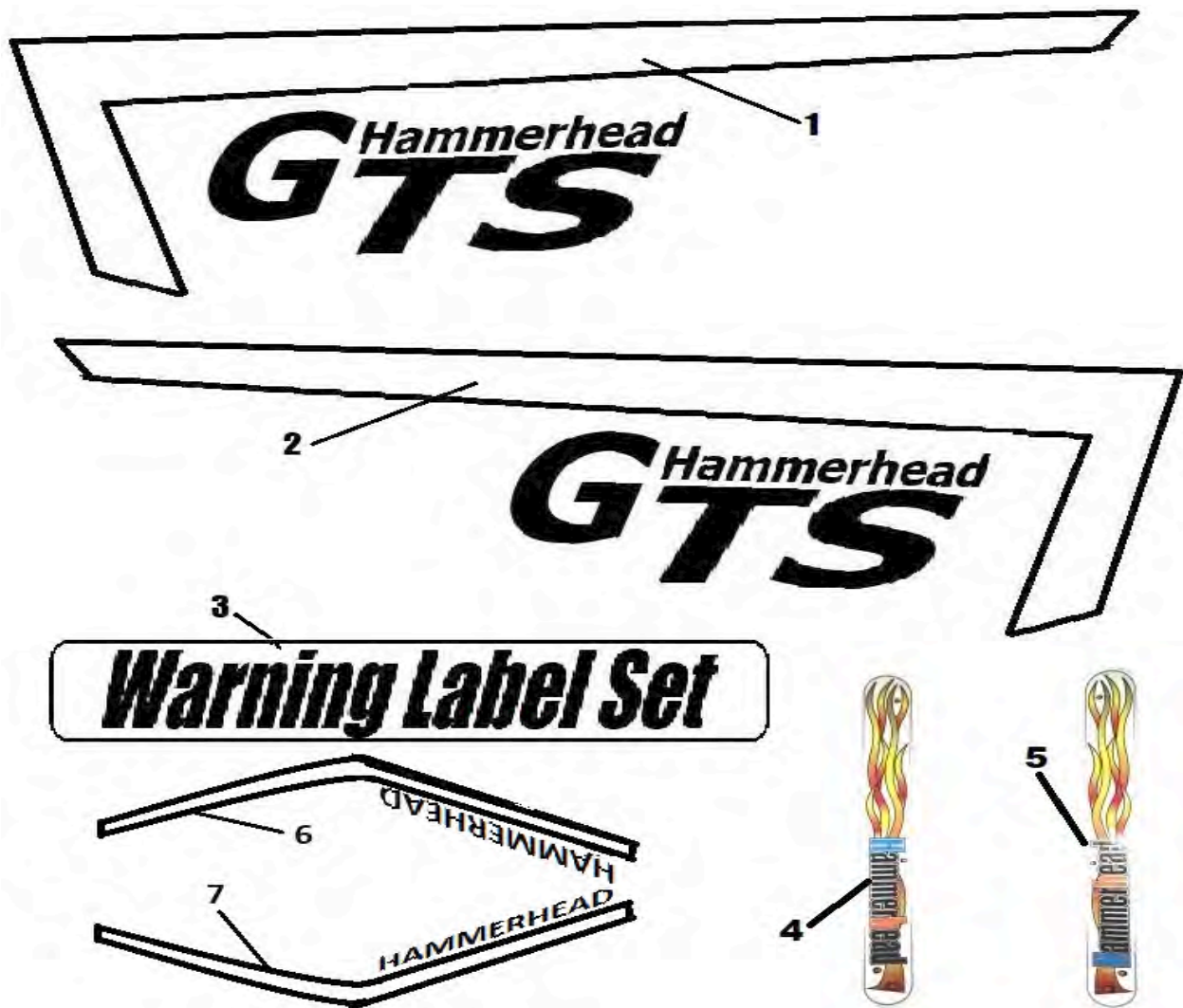
| <u>Ref #:</u> | <u>Part Number:</u> | <b>Chain Guard</b><br><u>Description:</u> | <u>Quantity:</u> |
|---------------|---------------------|---|------------------|
| 1             | 14188               | Upper Chain Guard                         | 1                |
| 2             | 9.106.014           | Bolt m6x14                                | 2                |
| 3             | 9.106.016           | Bolt m6x16                                | 4                |
| 4             | 14185               | Lower Chain Guard                         | 1                |
| 5             | 9.220.006           | Lock Nut m6                               | 4                |
| 6             | 9.108.016           | Bolt m8x16                                | 1                |

# REAR TIRE ASSEMBLY



| Rear Tire Assembly |               |                                |           |
|--------------------|---------------|--------------------------------|-----------|
| Ref #:             | Part Number:  | Description:                   | Quantity: |
| 1                  | 9.710.031     | Wheel Stud m10x31              | 8         |
| 2                  | 8.010.089B    | Rear Wheel Axle Hub (black)    | 2         |
| 3                  | 13-0902-01    | Left Rear Tire/Wheel Assembly  | 1         |
| 4                  | 9.220.010     | Lock Nut m10                   | 8         |
| 5                  | 9.700.016     | Flat Washer 16                 | 2         |
| 6                  | 9.800.016     | Castle Nut m16                 | 2         |
| 7                  | 9.500.430     | Cotter Pin 4x30                | 2         |
| 8                  | 7.020.039     | Rubber Hub Dust Cover          | 2         |
| 9                  | 13-0904-01    | Right Rear Tire/Wheel Assembly | 1         |
| 10                 | 001-221010-01 | Rear Tire 22x10-10 HH Tread    | 2         |
| 11                 | 002-100100-03 | 10" Steel Rear Wheel (black)   | 2         |
| 12                 | 7.190.018     | Valve Stem                     | 2         |

# Decals



| Ref #: | Part Number: | Decals                                     |           |
|--------|--------------|--|-----------|
|        |              | Description:                               | Quantity: |
| 1      | 13-1209-01L  | Left Side Sticker                          | 1         |
| 2      | 13-1209-01R  | Right Side Sticker                         | 1         |
| 3      | 13-1210-01   | Warning Label Set                          | 1         |
| 4      | 13-1211-00R  | Hammerhead Sticker, Right (front down bar) | 1         |
| 5      | 13-1211-00L  | Hammerhead Sticker, Left (front down bar)  | 1         |
| 6      | 13-1212-01R  | Right Rear Fender Sticker Set              | 1         |
| 7      | 13-1212-01L  | Left Rear Fender Sticker Set               | 1         |