



## 2012-2016 GTS150

10th letter in VIN: C-G



### **FOR OFF-ROAD USE ONLY**

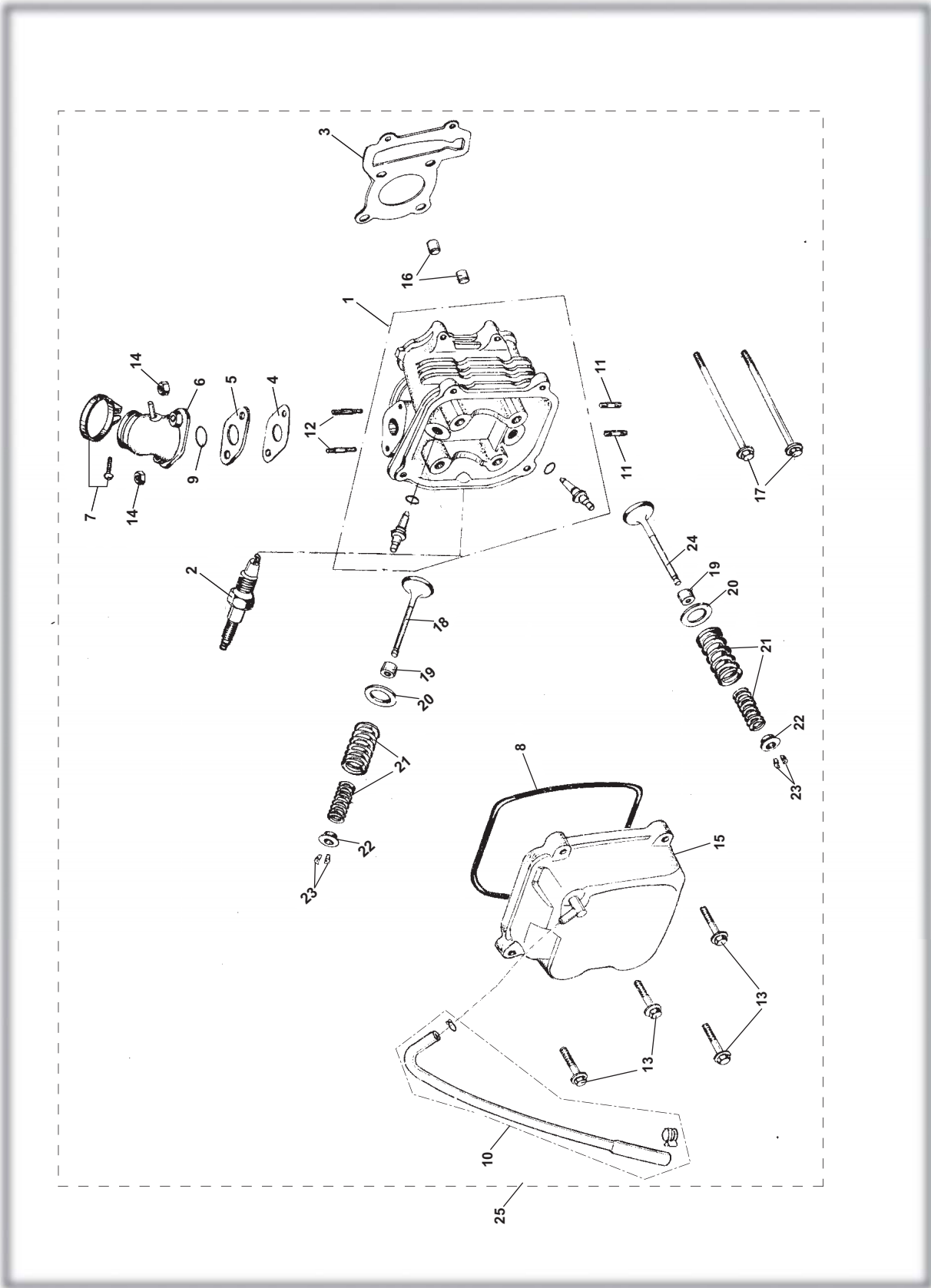
This vehicle is designed and manufactured for off-road use only.

USA only:

It does not conform to Federal Motor Vehicle Safety Standards, and in regards to operation on public streets, roads, or highways is illegal.

# FIG.1

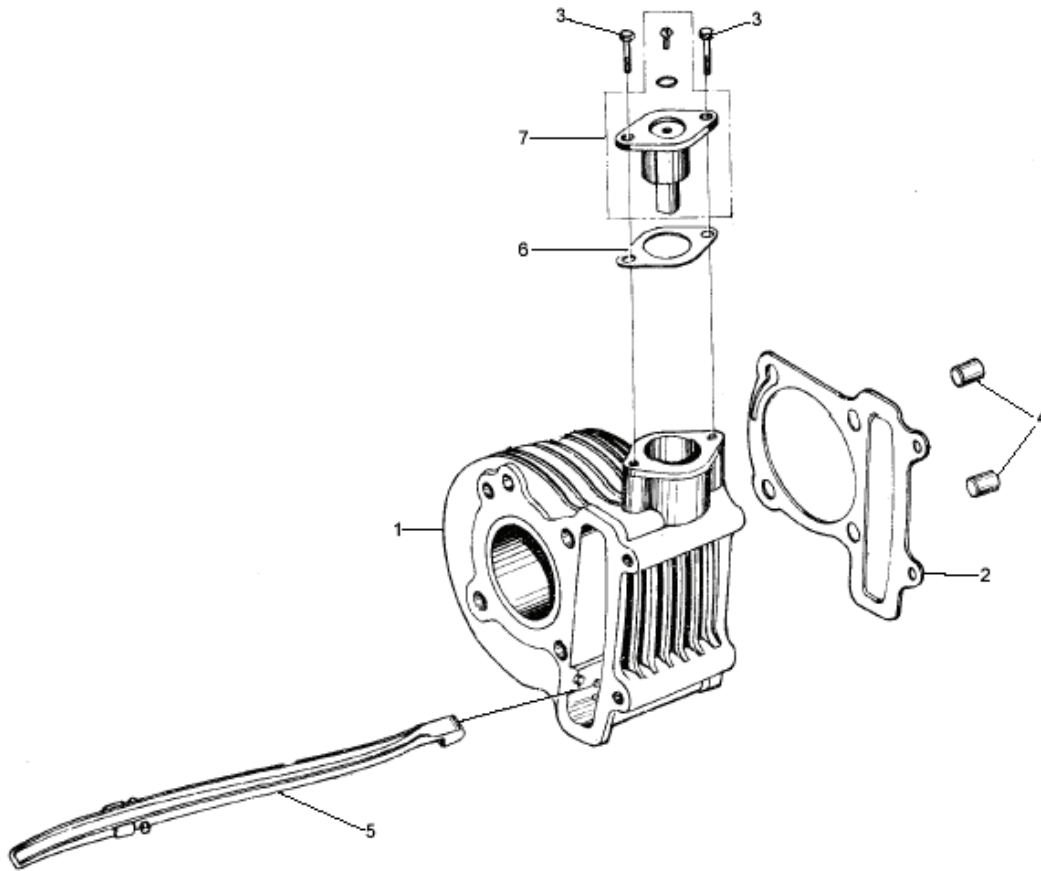
## CYLINDER HEAD ASSY.



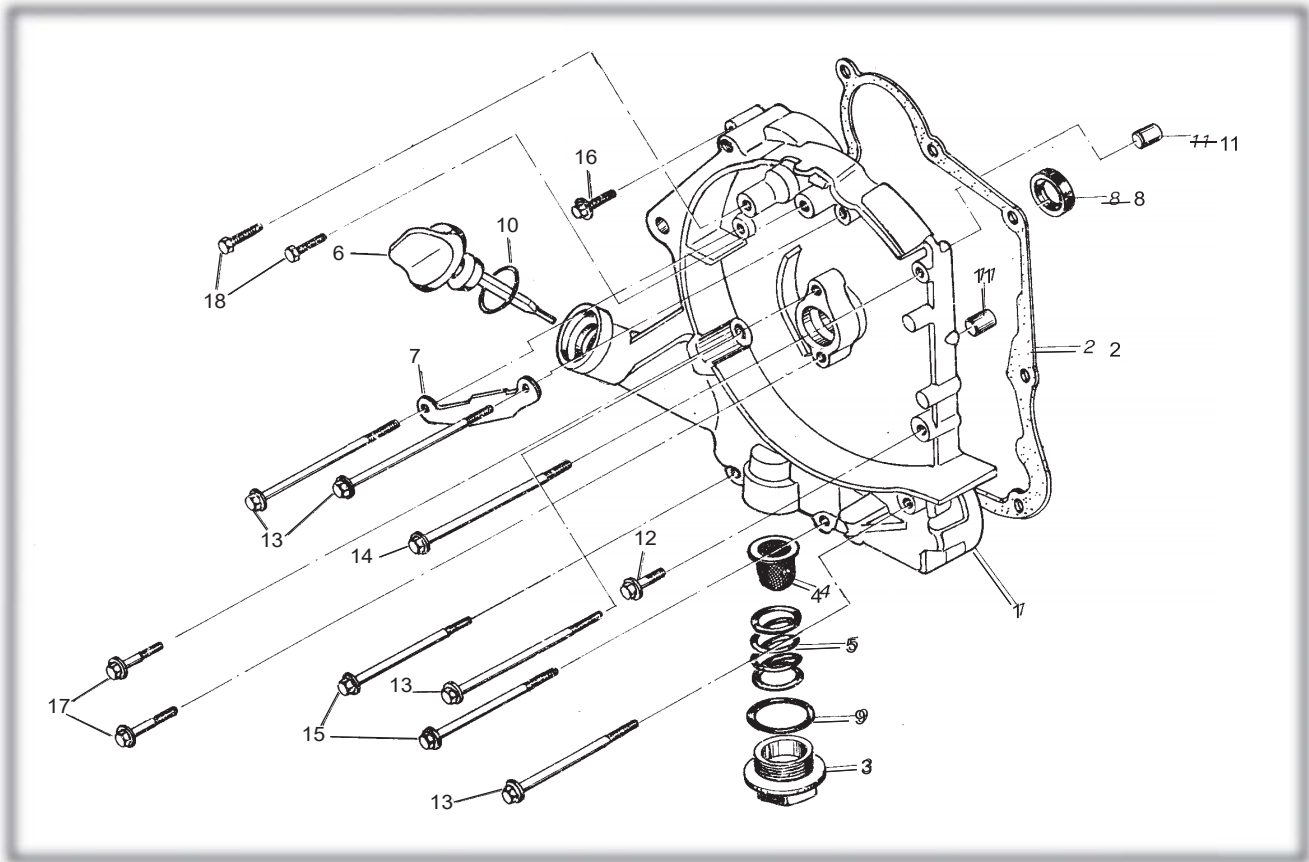
| <b>CYLINDER HEAD ASSY.</b> |                 |   |                 |  |
|----------------------------|-----------------|---|-----------------|--|
| <b>REF NO.</b>             | <b>PART NO.</b> | <b>DESCRIPTION</b>  | <b>REGD NO.</b> |  |
| 1                          | M150-100-1320   | CYLINDER HEAD   | 1               |  |
| 2                          | 98056-57713-00  | SPARK PLUG (C7HSA NGK)  | 1               |  |
| 3                          | M150-1001010    | CYLINDER HEAD GASKET  | 1               |  |
| 4                          | M150-3050352    | CARBURETOR INSULATOR GASKET   | 1               |  |
| 5                          | M150-1001005    | CARBURETOR INSULATOR  | 1               |  |
| 6                          | M150-1001210    | PIPE COMP. IN   | 1               |  |
| 7                          | M150-1001220    | INSULATOR BAND  | 1               |  |
| 8                          | M150-1001103    | HEAD COVER GASKET   | 1               |  |
| 9                          | M150-1001201    | O-RING 27X2   | 1               |  |
| 10                         | M150-1001001    | BREATHER TUBE   | 1               |  |
| 11                         | M150-1001011    | STUD BOLT M6X18   | 2               |  |
| 12                         | M150-1001006    | STUD BOLT M6X50   | 2               |  |
| 13                         | M150-B-1003075  | FLANGE BOLT M6X25   | 4               |  |
| 14                         | 95500-06001-KAS | NUT FLANGE M6-ZN. D   | 2               |  |
| 15                         | M150-1001100    | CYLINDER HEAD COVER COMP.   | 1               |  |
| 16                         | M150-1001007    | DOWEL PIN 10X16   | 2               |  |
| 17                         | M150-1003007    | CYLINDER HEAD BOLT FLANGE M6X100  | 2               |  |
| 18                         | M150-1001301-N  | INTAKE VALVE  | 1               |  |
| 19                         | M150-1001310    | VALVE STEM SEAL   | 2               |  |
| 20                         | M150-1001302    | VALVE SPRING OUTER SEAT   | 2               |  |
| 21                         | M150-1001303    | VALVE OUTER, INNER SPRING   | 2               |  |
| 22                         | M150-1001305    | VALVE SPRING RETAINER   | 2               |  |
| 23                         | M150-1001306    | VALVE COTTER  | 4               |  |
| 24                         | M150-1001307-N  | EXHAUST VALVE   | 1               |  |
| 25                         | M150-100-1320-C | CYLINDER HEAD ASSY**  | 1               |  |
|                            |                 | **does not include valve cover/hardware, intake/hardware , and spark plug |                 |  |
|                            |                 |   |                 |  |
|                            |                 |   |                 |  |
|                            |                 |   |                 |  |
|                            |                 |   |                 |  |
|                            |                 |   |                 |  |
|                            |                 |   |                 |  |
|                            |                 |   |                 |  |
|                            |                 |   |                 |  |
|                            |                 |   |                 |  |
|                            |                 |   |                 |  |
|                            |                 |   |                 |  |
|                            |                 |   |                 |  |
|                            |                 |   |                 |  |
|                            |                 |   |                 |  |

# FIG.2

## CYLINDER



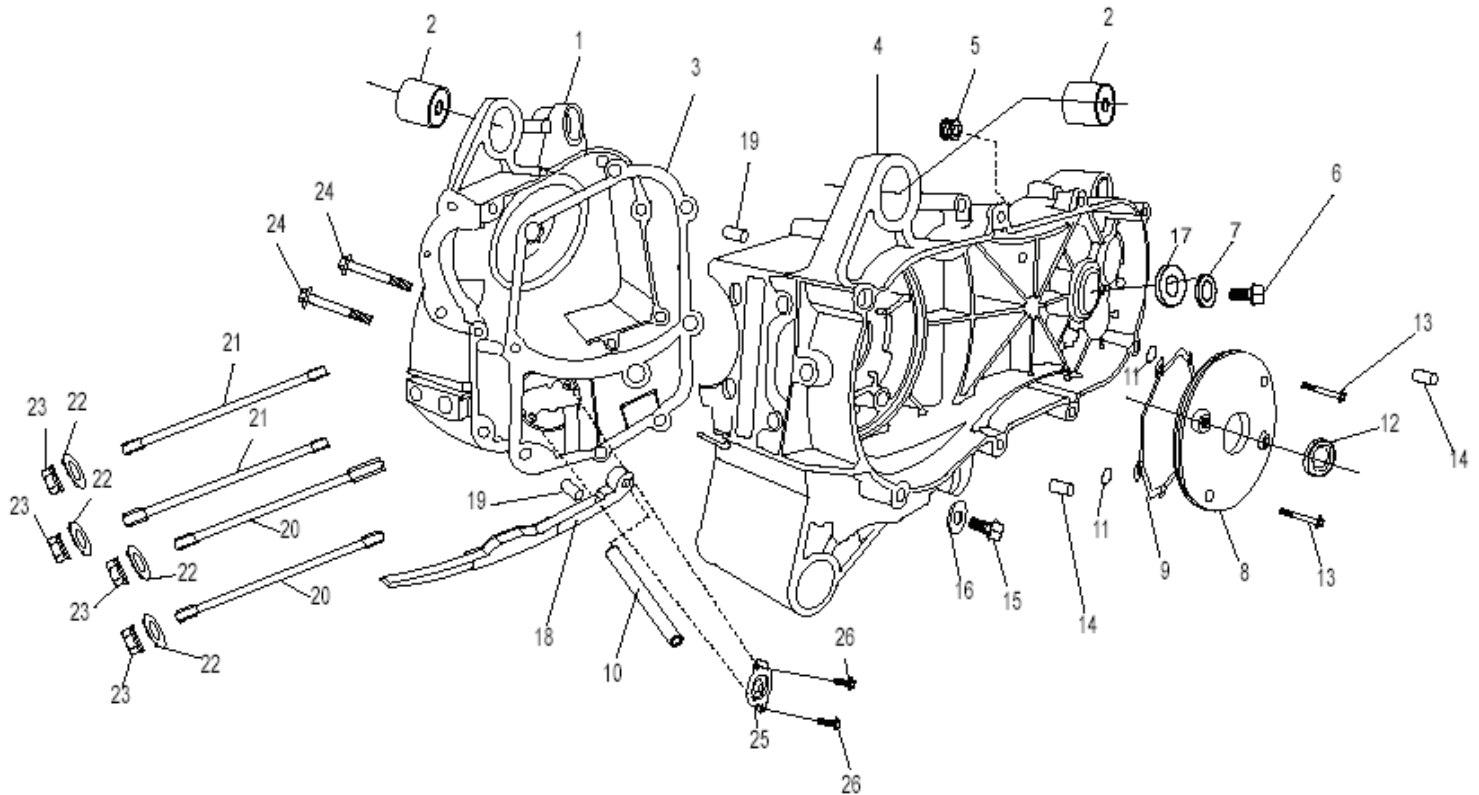
| Ref No | Part No         | Description                         | QTY |
|--------|-----------------|-------------------------------------|-----|
| 1      | M150-1002200    | Head, Cylinder - 150cc              | 1   |
| 2      | M150-3050351    | Gasket, Cyl Head Low er - 150cc     | 1   |
| 3      | 96001-06020-KAT | Bolt, M6 x 1.00 x 22 FHCS           | 2   |
| 4      | M150-1001007    | Pin, M10 x 16 Dow el                | 2   |
| 5      | M150-1002300    | Tensioner Guide, Cam Chain - 150cc  | 1   |
| 6      | M150-3050347    | Gasket, Cam Chain Tensioner - 150cc | 1   |
| 7      | M150-1002100    | Asm, Cam Chain Tensioner - 150cc    | 1   |

**CRANKCASE ASSY. (1)****CRANKCASE ASSY.(1)**

| REF NO. | PART NO.        | DESCRIPTION               | REGD NO. |  |
|---------|-----------------|---------------------------|----------|--|
| 1       | M150-1003101    | R CRANKCASE COVER COMP.   | 1        |  |
| 2       | M150-3050350    | CRANKCASE COVER GASKET    | 1        |  |
| 3       | M150-1003104    | CAP TAPPET ADJUSTING HOLE | 1        |  |
| 4       | M150-1003120    | OIL FILTING SCREEN        | 1        |  |
| 5       | M150-1003102    | OIL FILTING SCREEN SPRING | 1        |  |
| 6       | M150-1003105    | OIL LEVEL GAUGE           | 1        |  |
| 7       | M150-1003006    | AC GENERATOR CORD CLAMPER | 1        |  |
| 8       | M150-1003110    | OIL SEAL 19.8X30X5        | 1        |  |
| 9       | M150-1003103    | O-RING 30.8X3             | 1        |  |
| 10      | M150-1003307    | O-RING 18X3               | 1        |  |
| 11      | M150-1003005    | DOWEL PIN 8X14            | 2        |  |
| 12      | 96001-06032-KAT | FLANGE BOLT M6X28         | 1        |  |
| 13      | M150-1003012    | FLANGE BOLT M6X95         | 4        |  |
| 14      | M150-1003007    | FLANGE BOLT M6X100        | 1        |  |
| 15      | M150-1003008    | FLANGE BOLT M6X110        | 2        |  |
| 16      | M150-1003034    | FLANGE BOLT M6X35         | 1        |  |
| 17      | M150-1003106    | FLANGE BOLT M6X20         | 2        |  |
| 18      | 92101-05012-OH  | HEX BOLT M5X12-ZN.D       | 2        |  |

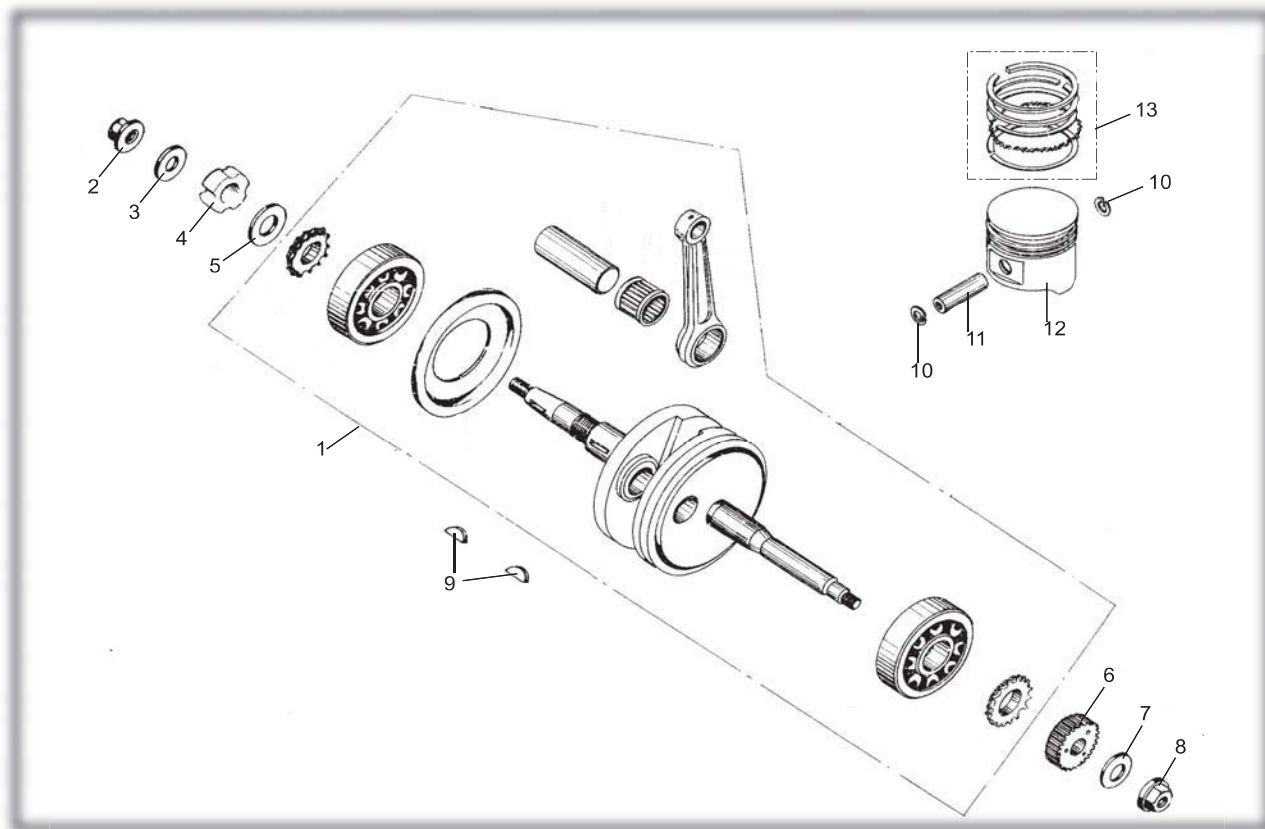
# FIG.4

## ENGINE CRANKCASE



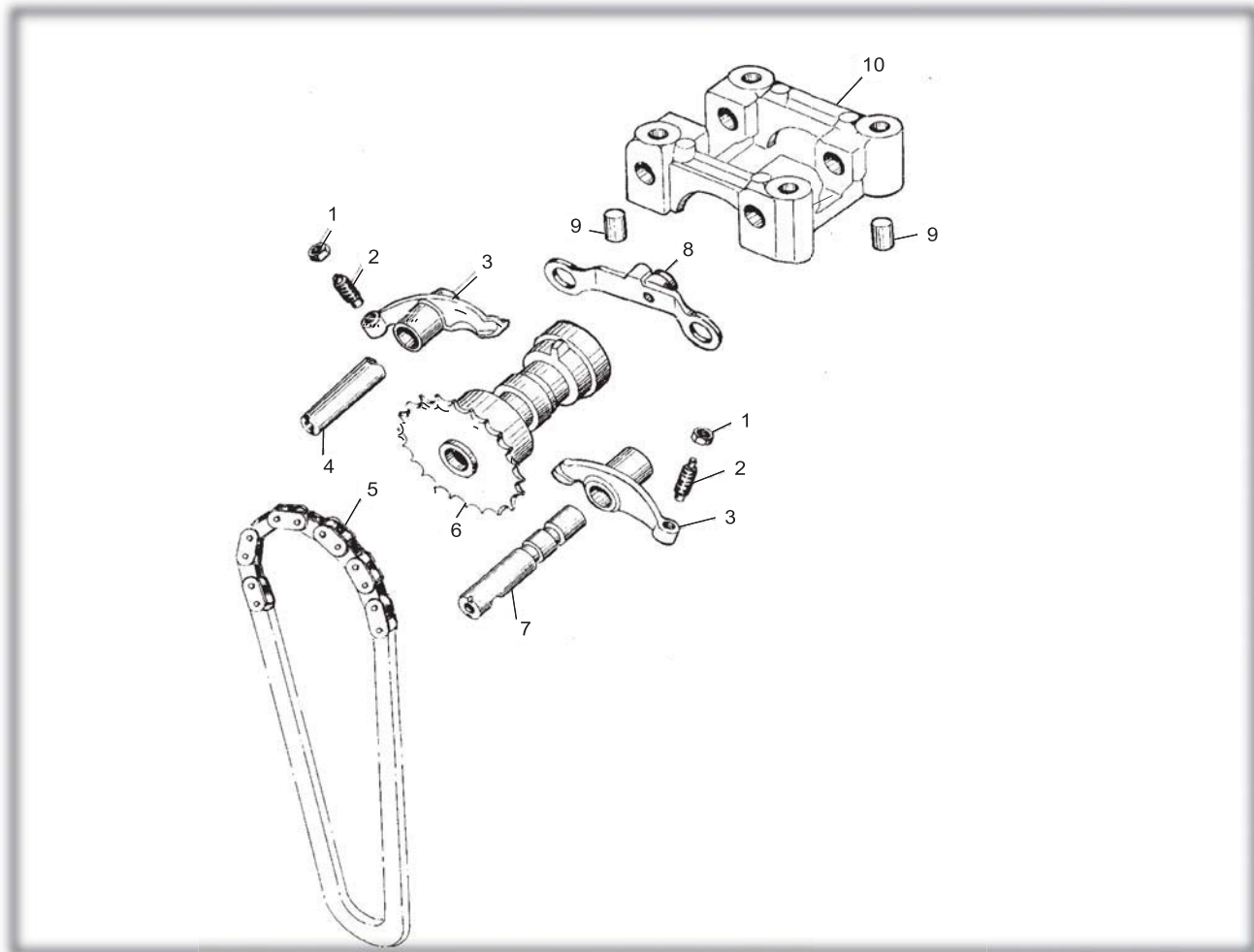
| Ref No | Part No      | Description                    | QTY | Ref No | Part No      | Description                  | QTY |
|--------|--------------|--------------------------------|-----|--------|--------------|------------------------------|-----|
| 1      | 14277        | Housing, Crankcase RH - 150cc  | 1   | 14     | 14287        | Pin, M10 x 14 Dow el         | 2   |
| 2      | 14278        | Bushing, Engine Hanger - 150cc | 2   | 15     | M150-1003018 | Bolt, M12 x 1.5 Special      | 1   |
| 3      | M150-3050348 | Gasket, Crankcase - 150cc      | 1   | 16     | M150-1003019 | Washer, M12 Flat             | 2   |
| 4      | 14280        | Housing, Crankcase LH - 150cc  | 1   | 17     | M150-1042000 | Seal, M20 x 32 x 6           | 2   |
| 5      | 14558        | Grommet                        | 1   | 18     | M150-1003500 | Tensioner, Cam Chain - 150cc | 1   |
| 6      | 14281        | Bolt, M10 x 1.25 x 15 FHCS     | 1   | 19     | M150-1003005 | Pin, M8 x 14 Dow el          | 2   |
| 7      | 14282        | Washer, M10.2 x 18 x 1.3 Flat  | 1   | 20     | M150-1003002 | Stud, M8 x 1.25 x 195.5      | 2   |
| 8      | 14283        | Cover, Small Left              | 1   | 21     | M150-1003001 | Stud, M8 x 1.25 x 187.5      | 2   |
| 9      | 14284        | O-Ring, M108 x 2               | 1   | 22     | M150-1003004 | Washer, M8 Flat              | 4   |
| 10     | 14559        | Pin                            | 1   | 23     | M150-1003003 | Nut, M8 x 1.25 Flange Head   | 4   |
| 11     | 14285        | O-Ring, M6 x 1.8               | 2   | 24     | M150-1003032 | Bolt, M6 x 1.00 x 50 FHCS    | 2   |
| 12     | M150-1003110 | Seal, M19.8 x 30 x 5           | 1   | 25     | M150-1003202 | Spacer, Oil - 150cc          | 1   |
| 13     | 14286        | Bolt, M6 x 1.00 x 18 FHCS      | 4   | 26     | M150-1003203 | Bolt, M6 x 1.00 x 12 FHCS    | 2   |

## CRANKSHAFT CON'ROD & PISTON ASSY.



| <b>CRANKSHAFT CON'ROD &amp; PISTON ASSY.</b> |                 |                                |                 |  |
|--|-----------------|--------------------------------|-----------------|--|
| <b>REF NO.</b>                               | <b>PART NO.</b> | <b>DESCRIPTION</b>             | <b>REGD NO.</b> |  |
| 1  | M150-1004100-N  | CRANKSHAFT & CONROD ASSY.      | 1               |  |
| 2  | M150-1004007    | NUT M12X1.25                   | 1               |  |
| 3  | M150-1004011    | WASHER 12-149HV 12-140HV       | 1               |  |
| 4  | M150-1004009    | LOCKING NUT (left hand thread) | 1               |  |
| 5  | M150-1004013    | WASHER                         | 1               |  |
| 6  | M150-1004012    | KICK DRIVE GEAR                | 1               |  |
| 7  | M150-1040005    | WASHER $\Phi 12$               | 1               |  |
| 8  | M150-1004008    | NUT M12                        | 1               |  |
| 9  | M150-1004002    | WOODRUFF KEY                   | 2               |  |
| 10   | M150-1004003    | PISTON PIN CLIP                | 2               |  |
| 11   | M150-1004006    | PISTON PIN                     | 1               |  |
| 12   | M150-1004001    | PISTON                         | 1               |  |
| 13   | M150-1004200    | PISTON RING SET                | 1               |  |

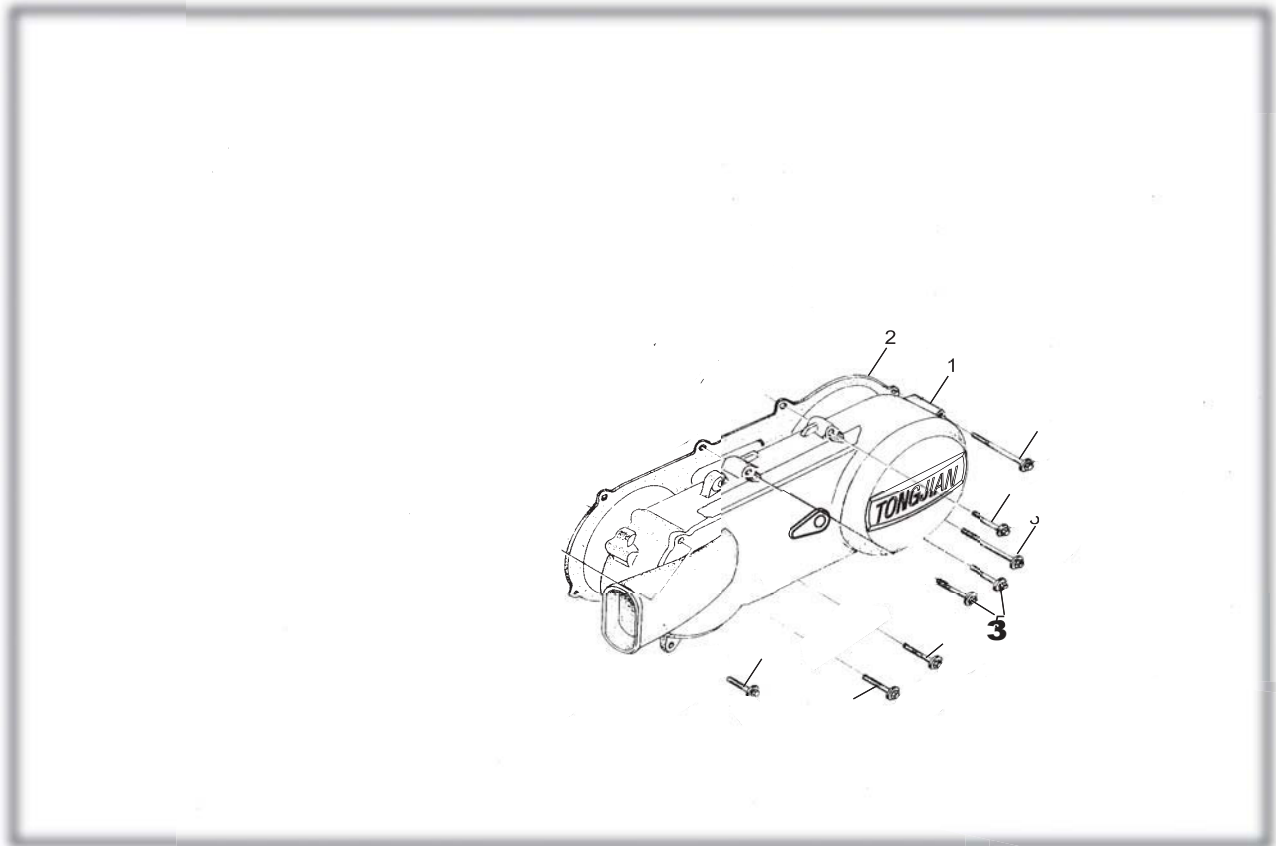
**CAMSHAFT ASSY.**



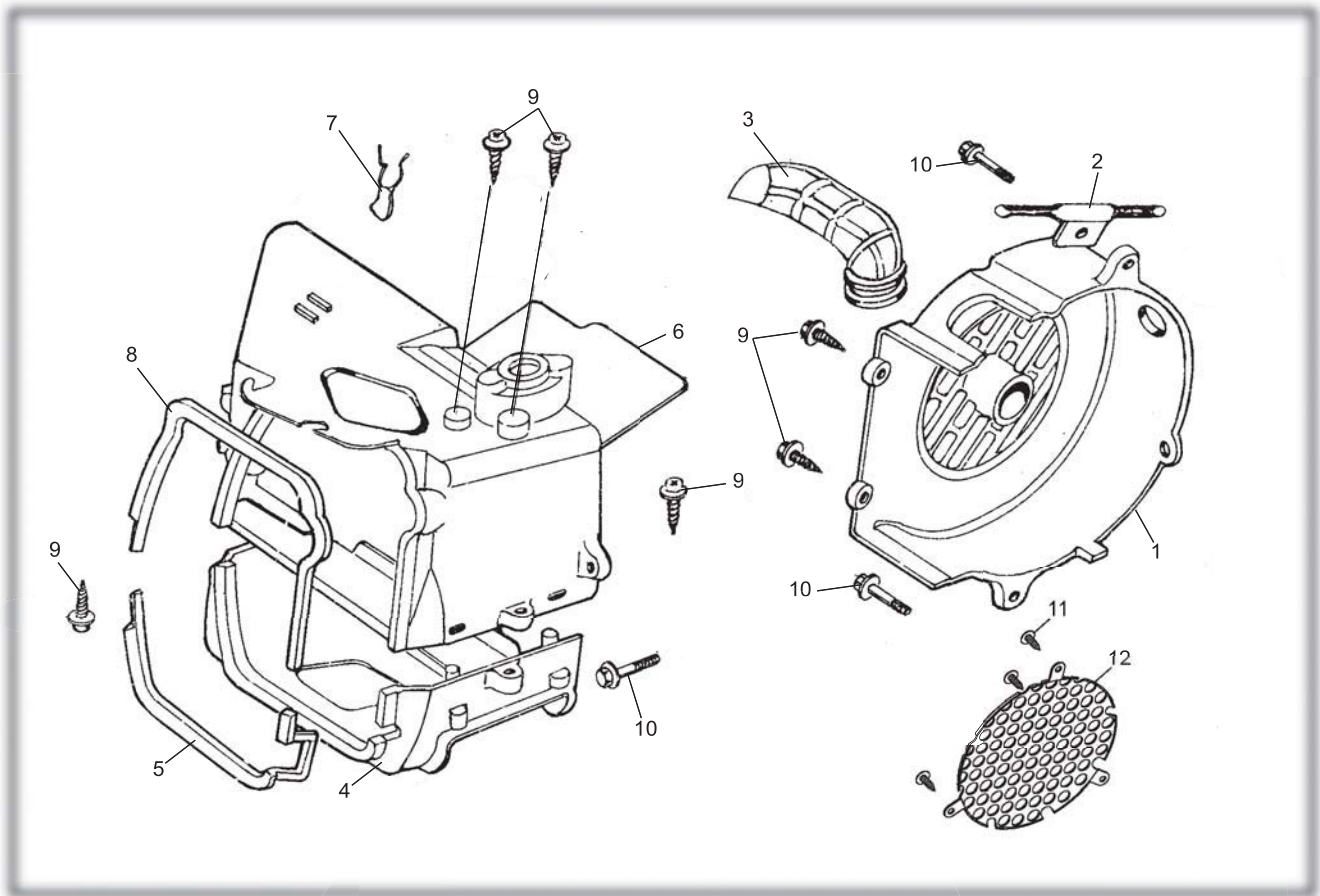
| <b>CAMSHAFT ASSY.</b> |                 |                         |                 |  |
|-----------------------|-----------------|-------------------------|-----------------|--|
| <b>REF NO.</b>        | <b>PART NO.</b> | <b>DESCRIPTION</b>      | <b>REGD NO.</b> |  |
| 1                     | M150-1005004    | TAPPET ADJUSTING NUT    | 2               |  |
| 2                     | M150-1005003    | TAPPET ADJUSTING SCREW  | 2               |  |
| 3                     | M150-1005002    | VALVE ROCKER ARM        | 2               |  |
| 4                     | M150-1005005    | EX ROCKER ARM SHAFT     | 1               |  |
| 5                     | M150-1005400    | CAMSHAFT CHAIN          | 1               |  |
| 6                     | M150-1005300-N  | CAMSHAFT COMP. 16T      | 1               |  |
| 7                     | M150-1005200    | IN ROCK ARM SHAFT COMP. | 1               |  |
| 8                     | M150-1005100    | STOPPER PLATE COMP.     | 1               |  |
| 9                     | M150-1001007    | DOWEL PIN 10X16         | 2               |  |
| 10                    | M150-1005001-N  | CAMSHAFT HOLDER         | 1               |  |
|                       |                 |                         |                 |  |
|                       |                 |                         |                 |  |



## LEFT COVER ASSY.

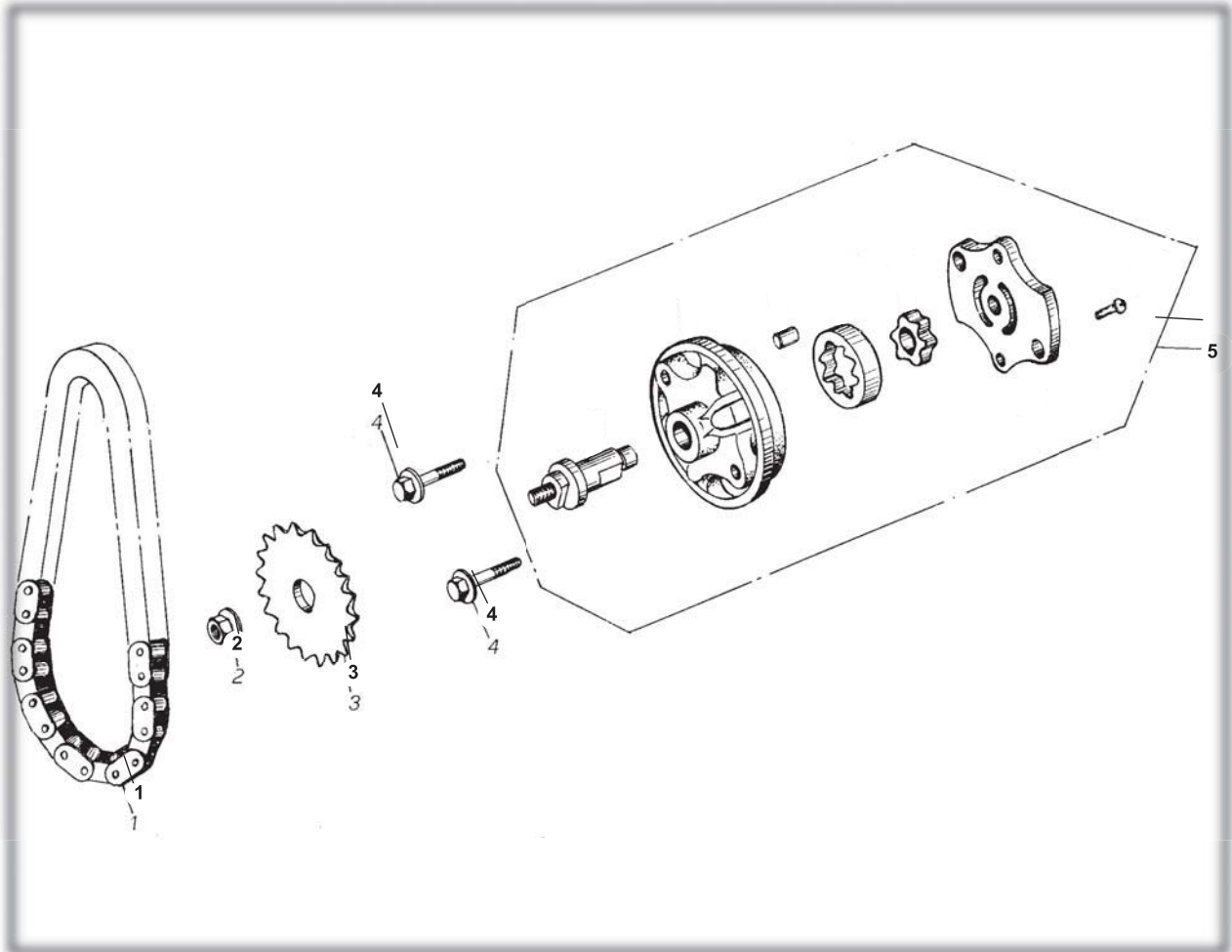


| <b>LEFT COVER ASSY.</b> |                 |                    |                 |  |
|-------------------------|-----------------|--------------------|-----------------|--|
| <b>REF NO.</b>          | <b>PART NO.</b> | <b>DESCRIPTION</b> | <b>REGD NO.</b> |  |
| 1                       | M150-1008101-N  | COVER L            | 1               |  |
| 2                       | M150-3050353    | L COVER GASKET     | 1               |  |
| 3                       | 9.106.040       | FLANGE BOLT M6X40  | 8               |  |
|                         |                 |                    |                 |  |
|                         |                 |                    |                 |  |
|                         |                 |                    |                 |  |
|                         |                 |                    |                 |  |
|                         |                 |                    |                 |  |
|                         |                 |                    |                 |  |
|                         |                 |                    |                 |  |
|                         |                 |                    |                 |  |
|                         |                 |                    |                 |  |
|                         |                 |                    |                 |  |
|                         |                 |                    |                 |  |
|                         |                 |                    |                 |  |
|                         |                 |                    |                 |  |
|                         |                 |                    |                 |  |
|                         |                 |                    |                 |  |
|                         |                 |                    |                 |  |
|                         |                 |                    |                 |  |
|                         |                 |                    |                 |  |
|                         |                 |                    |                 |  |
|                         |                 |                    |                 |  |
|                         |                 |                    |                 |  |

**FAN COVER AND SHROUD ASSY.****FAN COVER AND SHROUD ASSY.**

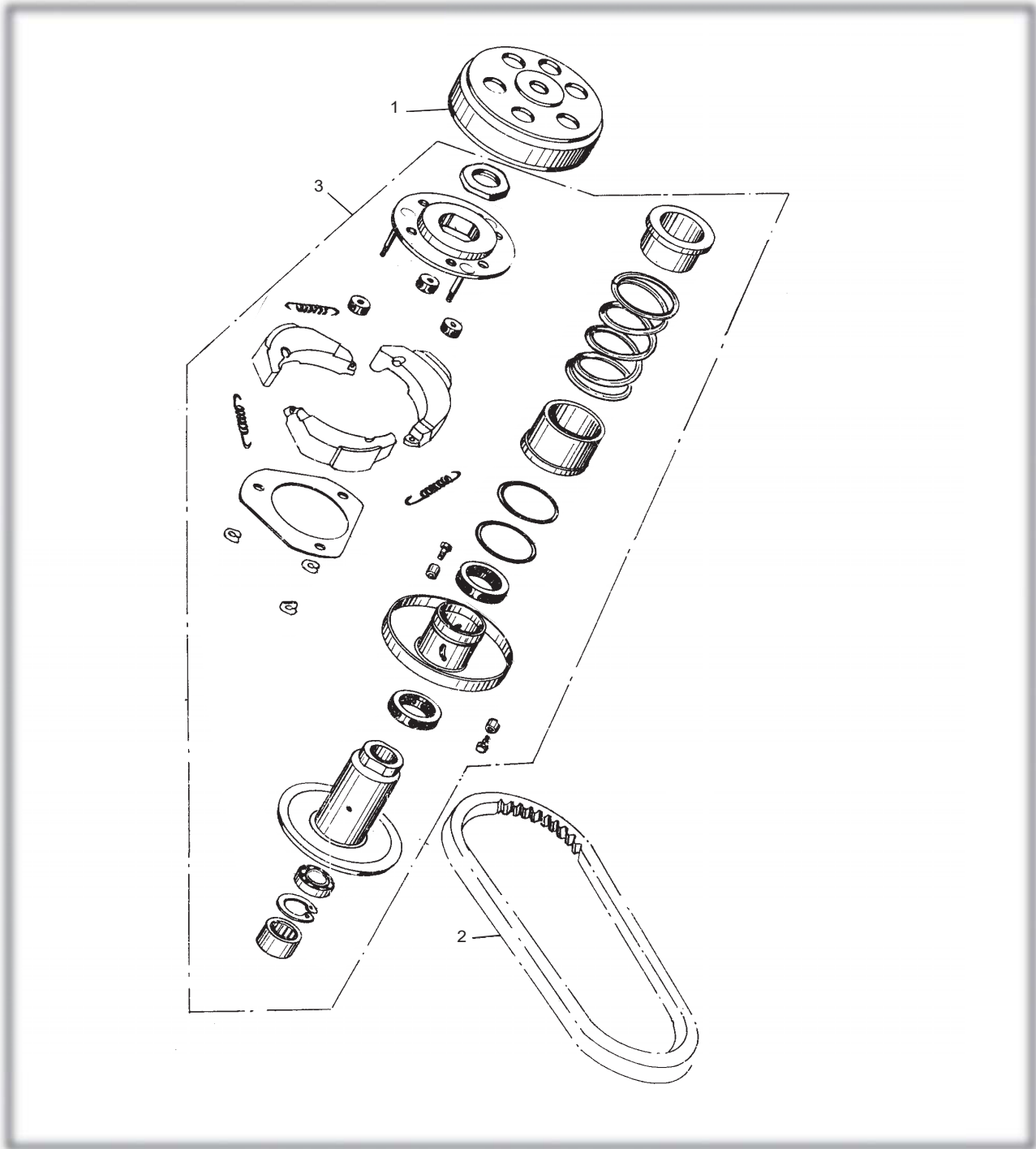
| REF NO. | PART NO.     | DESCRIPTION             | REGD NO. |  |
|---------|--------------|-------------------------|----------|--|
| 1       | M150-1009410 | FAN COVER COMP.         | 1        |  |
| 2       | M150-1009002 | STARTER CABLE CLAMPER   | 1        |  |
| 3       | M150-1009401 | FAN SHROUD COOLING DUCT | 1        |  |
| 4       | M150-1009301 | LOWER SHROUD            | 1        |  |
| 5       | M150-1009302 | LOWER SHROUD SEAL       | 1        |  |
| 6       | M150-1009110 | UPPER SHROUD COMP.      | 1        |  |
| 7       | M150-1009103 | HIGH TENSION CORD CLIP  | 1        |  |
| 8       | M150-1009102 | UPPER SHROUD SEAL       | 1        |  |
| 9       | M150-1009402 | SCREW ST4.8X16-F        | 6        |  |
| 10      | M150-1003075 | BOLT M6X25              | 3        |  |
| 11      | 9.804.003    | SCREW ST3.5×13-F        | 3        |  |
| 12      | 8.020.179    | DUST COVER              | 1        |  |
|         |              |                         |          |  |

## OIL PUMP ASSY.



| OIL PUMP ASSY. |              |                          |          |  |
|----------------|--------------|--------------------------|----------|--|
| REF NO.        | PART NO.     | DESCRIPTION              | REGD NO. |  |
| 1              | M150-1021000 | CHAIN OIL PUMP           | 1        |  |
| 2              | M150-1020002 | NUT FLANGE M6            | 1        |  |
| 3              | M150-1020001 | SPROCKET OIL PUMP DRIVEN | 1        |  |
| 4              | M150-1003075 | BOLT M6X25               | 2        |  |
| 5              | M150-1022000 | OIL PUMP SUB ASSY.       | 1        |  |

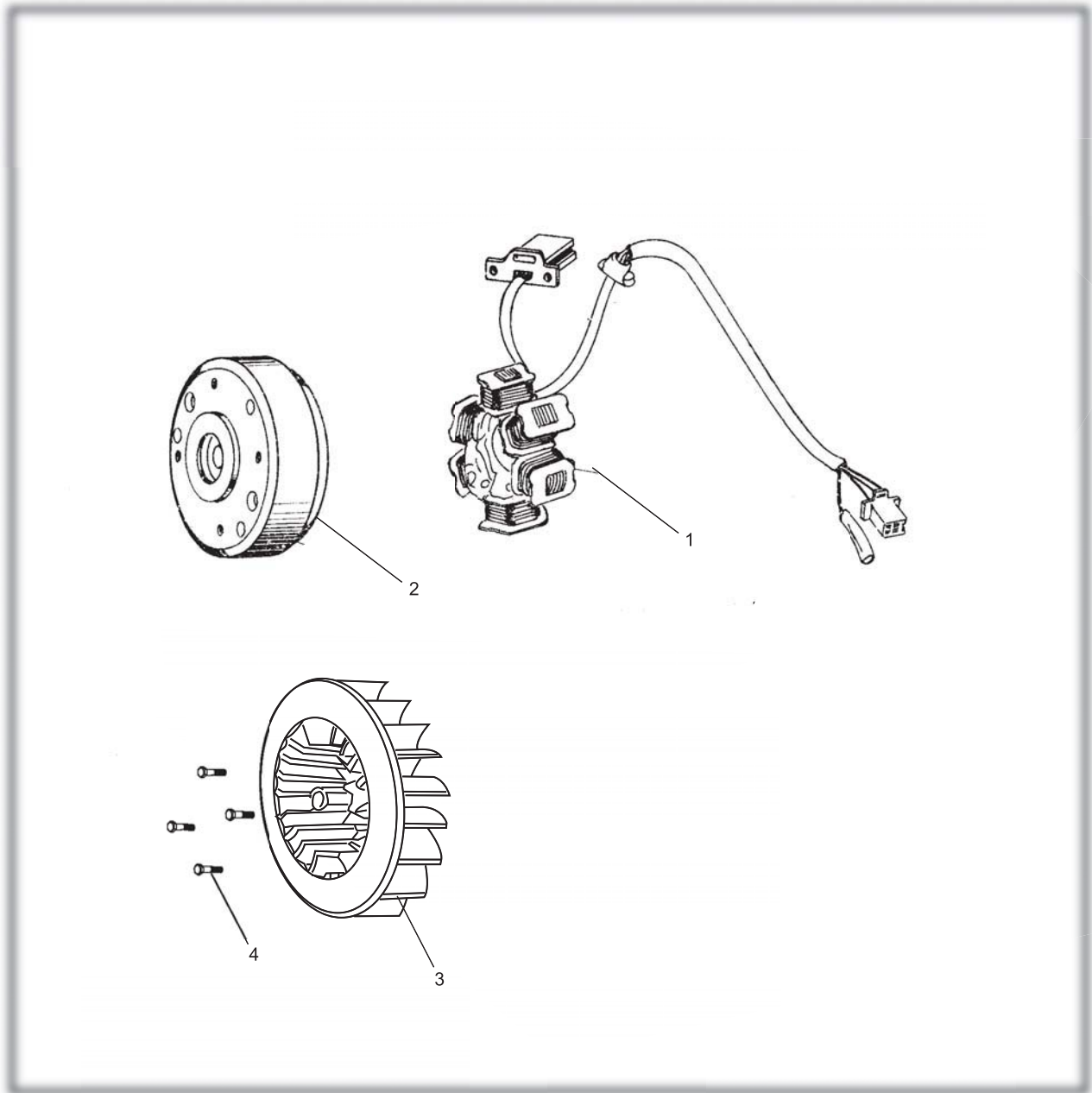
**DRIVEN PULLEY AND CLUTCH SUBASSY.**



**DRIVEN PULLEY AND CLUTCH SUBASSY.**

| REF NO. | PART NO.     | DESCRIPTION         | REGD NO. |  |
|---------|--------------|---------------------|----------|--|
| 1       | M150-1032000 | CLUTCH ASSY. OUTER  | 1        |  |
| 2       | M150-1033000 | DRIVE BELT          | 1        |  |
| 3       | M150-1031000 | DRIVEN PULLEY ASSY. | 1        |  |
|         |              |                     |          |  |

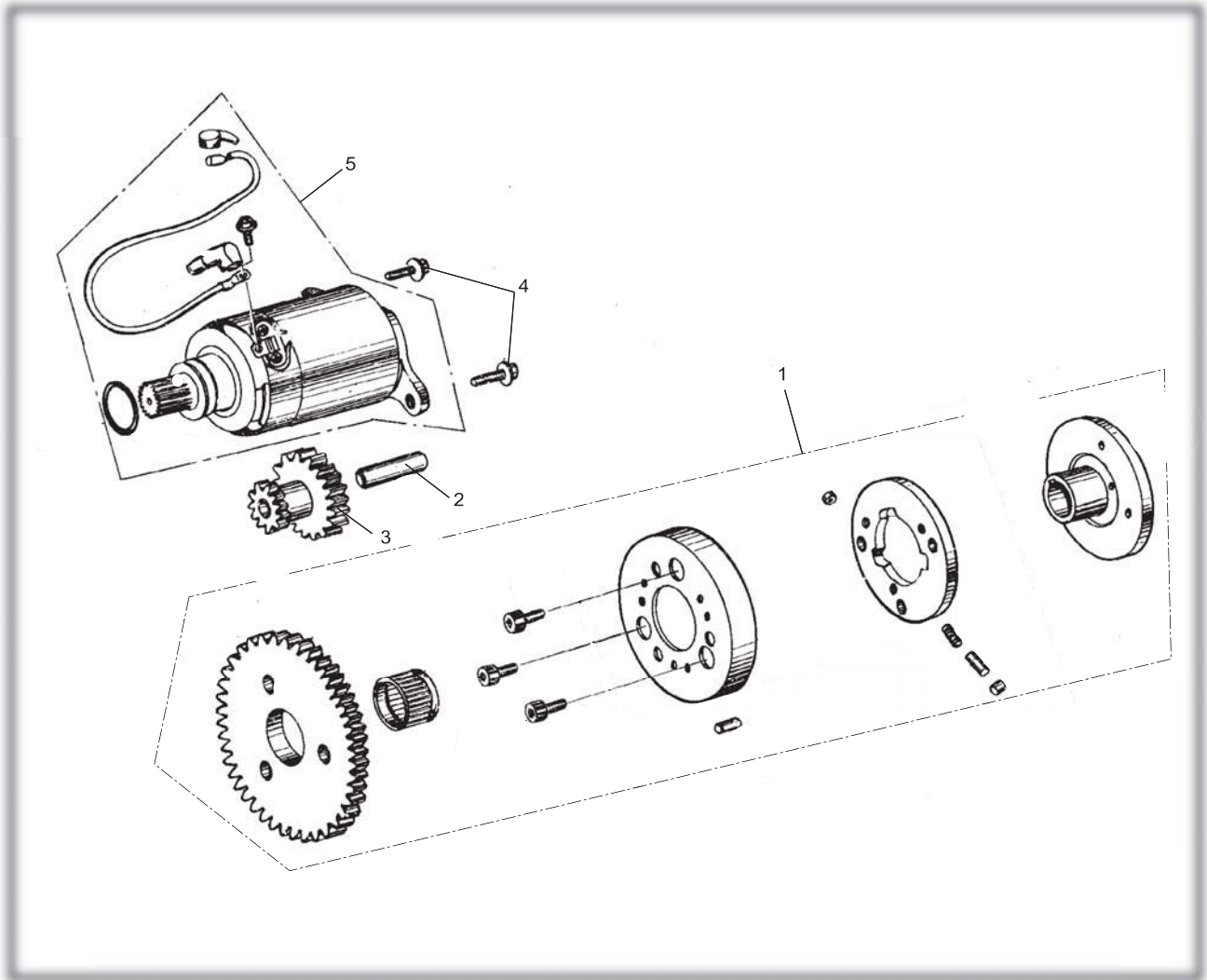
**ELECTRIC SYSTEM**



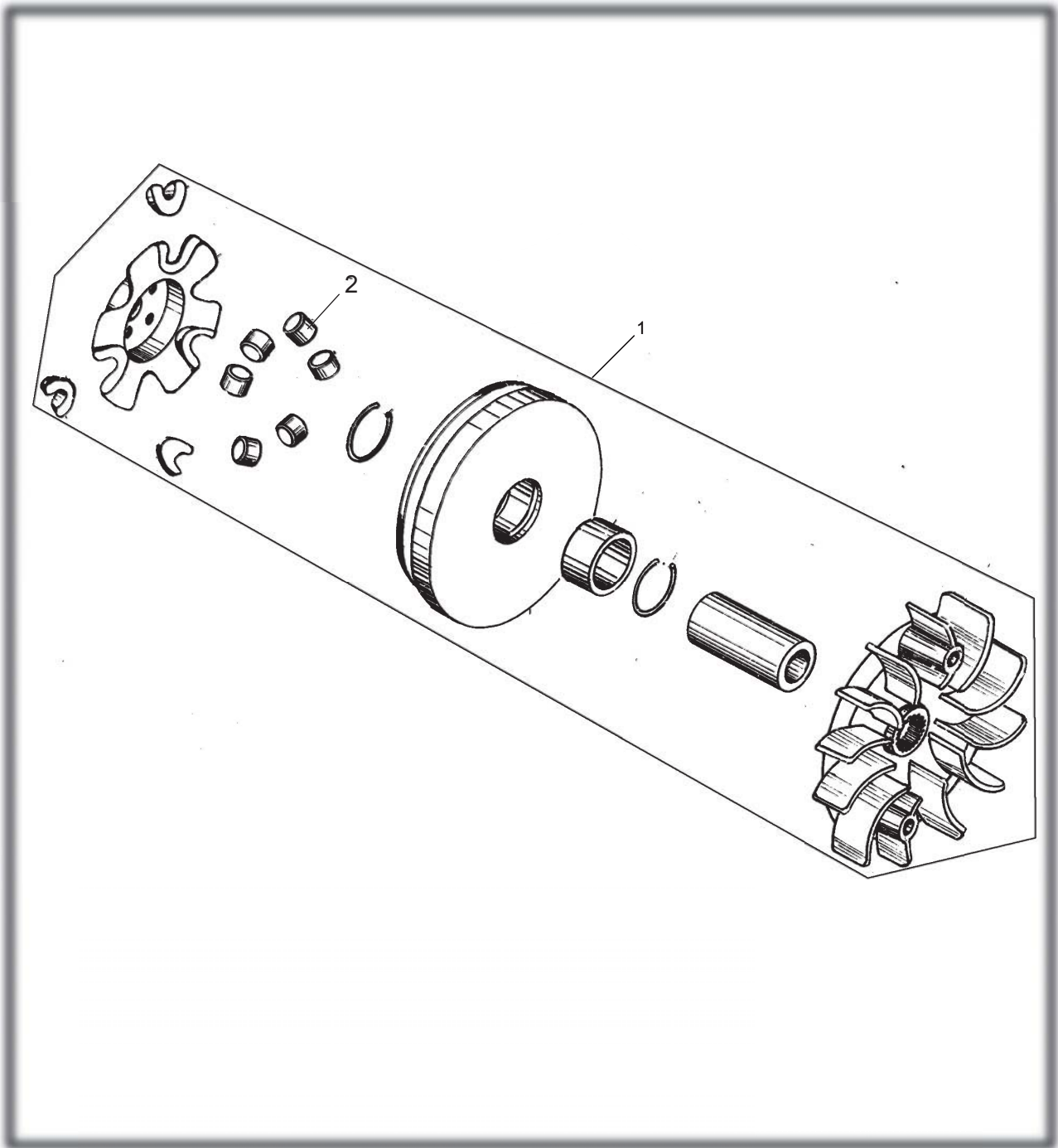
**ELECTRIC SYSTEM**

| REF NO. | PART NO.       | DESCRIPTION       | REGD NO. |  |
|---------|----------------|-------------------|----------|--|
| 1       | M150-1051200   | STATOR COMP.      | 1        |  |
| 2       | M150-1051100   | FLYWHEEL COMP.    | 1        |  |
| 3       | M150-1051100-3 | COOLING FAN COMP. | 1        |  |
| 4       | M150-1051100-4 | FLANGE BOLT M6x18 | 4        |  |

## ELECTRIC STARTER ASSY.



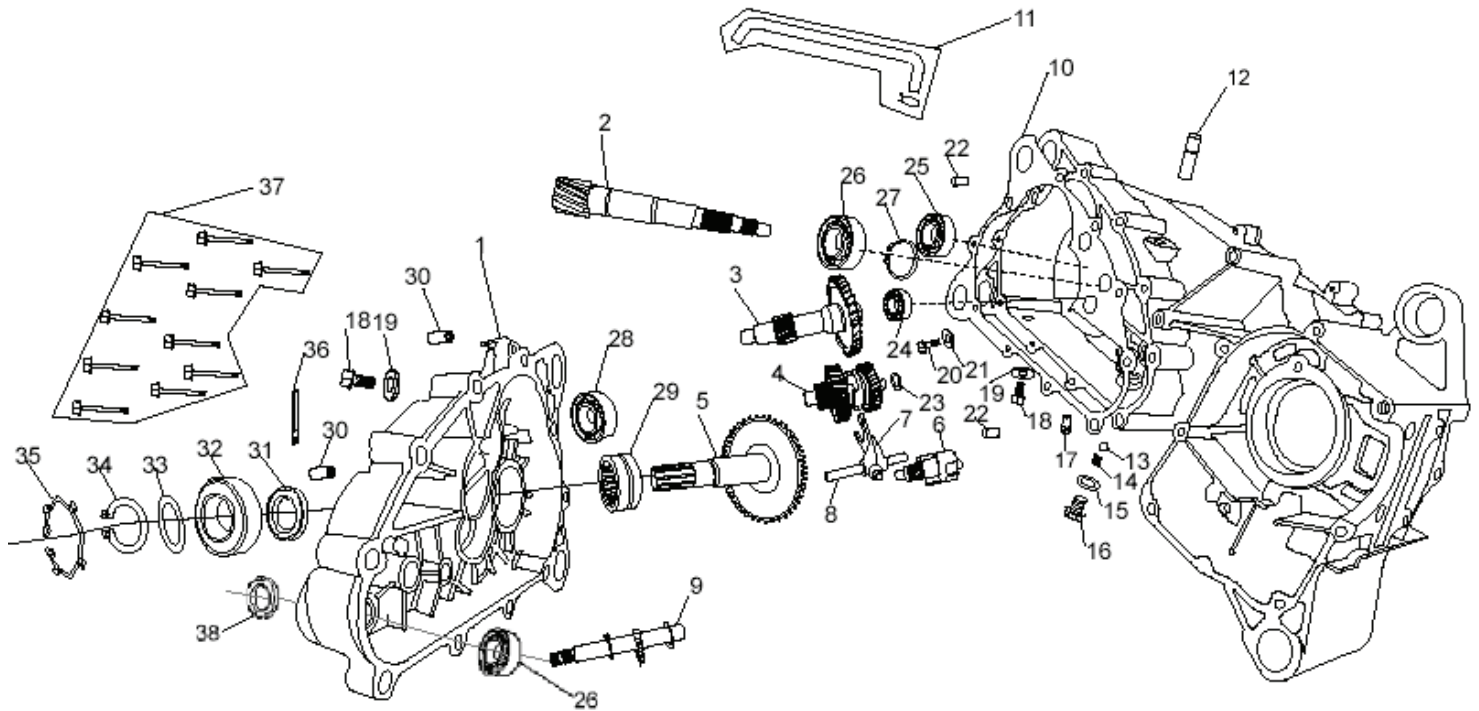
| ELECTRIC STARTER ASSY. |              |                              |          |  |
|------------------------|--------------|------------------------------|----------|--|
| REF NO.                | PART NO.     | DESCRIPTION                  | REGD NO. |  |
| 1                      | M150-1060001 | FLANGE STARTING CLUTCH       | 1        |  |
| 2                      | M150-1060002 | STARTER REDUCTION GEAR SHAFT | 1        |  |
| 3                      | M150-1060003 | STARTER REDUCTION GEAR       | 1        |  |
| 4                      | M150-1060005 | FLANGE BOLT M6X16            | 2        |  |
| 5                      | M150-1064000 | STARTER MOTOR ASSY.          | 1        |  |
|                        |              |                              |          |  |
|                        |              |                              |          |  |
|                        |              |                              |          |  |
|                        |              |                              |          |  |

**DRIVE PULLEY SUBASSY.****DRIVE PULLEY SUBASSY.**

| REF NO. | PART NO.     | DESCRIPTION                | REGD NO. |  |
|---------|--------------|----------------------------|----------|--|
| 1       | M150-1071000 | MOVABLE DRIVE PULLEY ASSY. | 1        |  |
| 2       | M150-1071002 | ROLLER                     | 6        |  |
|         |              |                            |          |  |

# FIG.15

## TRANSMISSION

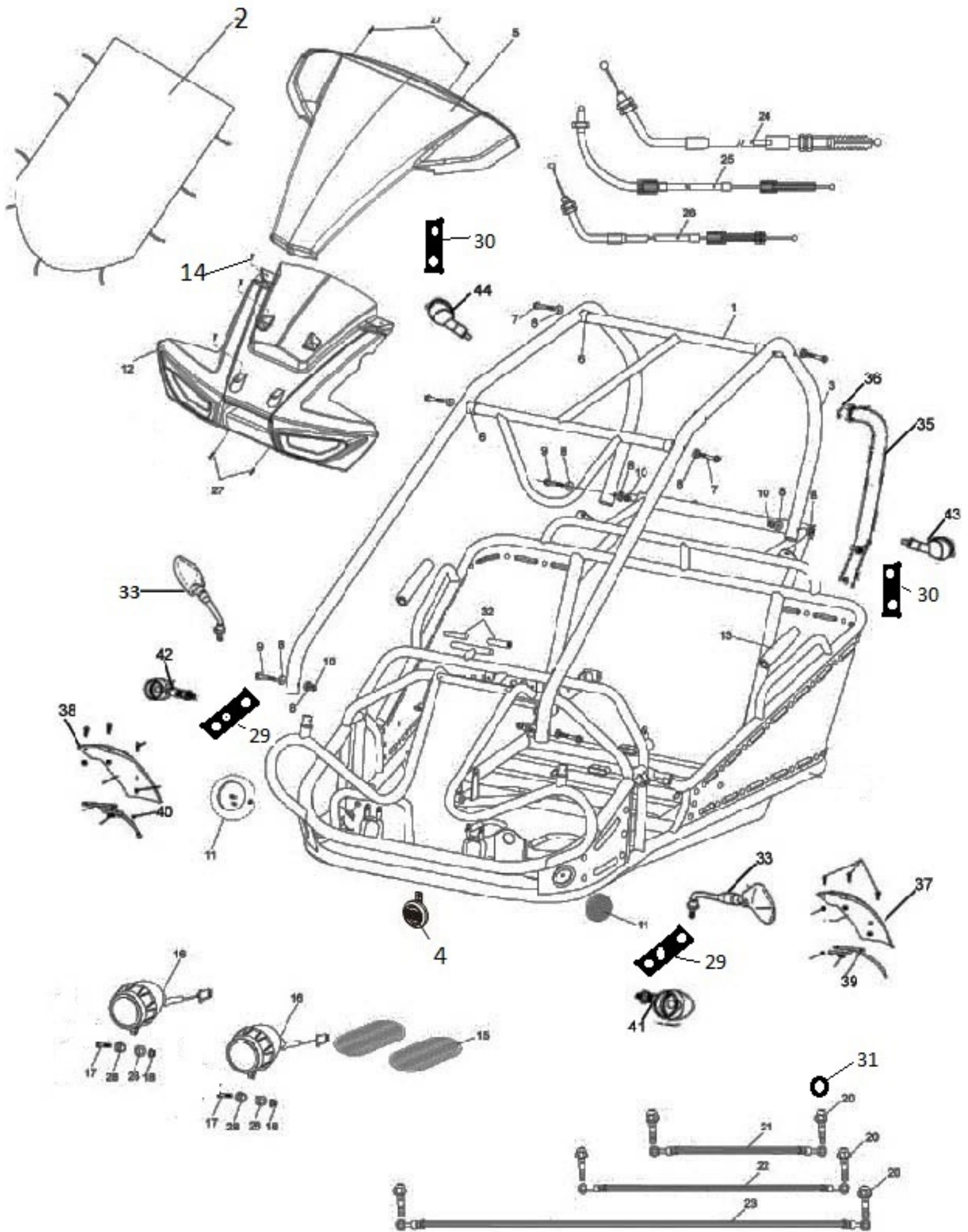


| Ref No | Part No      | Description                          | QTY | Ref No | Part No         | Description                     | QTY |
|--------|--------------|--------------------------------------|-----|--------|-----------------|---------------------------------|-----|
| 1      | 14297        | Housing, Outer Transmission - 150cc  | 1   | 20     | 14296           | Bolt, M6 x 1.00 x 12 FHCS       | 2   |
| 2      | 14298        | Gear, Pri Drive - 150cc              | 1   | 21     | 14315           | Washer, M6 Flat                 | 2   |
| 3      | 14299        | Gear, Sec Drive - 150cc              | 1   | 22     | 14287           | Pin, M10 x 14 Dow el            | 2   |
| 4      | 14300        | Asm, Shift Gear Cluster F/NR - 150cc | 1   | 23     | 14316           | Spacer, M15 Inner Gear          | 1   |
| 5      | 14301        | Gear, Final Drive Shaft              | 1   | 24     | 91004-E6202-KAT | Bearing, 6202 15 x 35 x 11      | 1   |
| 6      | 14302        | Asm, Shift Selector - 150cc          | 1   | 25     | 91004-E6203-KAT | Bearing, 6203 17 x 40 x 12      | 1   |
| 7      | 14303        | Pawl, Shift Selector - 150cc         | 1   | 26     | 91004-E6204-KAT | Bearing, 6204 20 x 47 x 14      | 1   |
| 8      | 14304        | Rod, Shift Pawl - 150cc              | 1   | 27     | 14106           | Circlip, M20                    | 1   |
| 9      | 14305        | Shaft, Shifter Cam - 150cc           | 1   | 28     | 14503           | Bearing, 6302 15 x 42 x 13      | 1   |
| 10     | M150-3050349 | Gasket, Transmission Case - 150cc    | 1   | 29     | 14504           | Bearing, RNA4905 30 x 42 x 17   | 1   |
| 11     | 14307        | Tube, Transmission Vent              | 1   | 30     | 14505           | Bushing, Shock Absorbing - 150C | 2   |
| 12     | 14308        | Nipple, Vent Tube - 150cc Large      | 1   | 31     | 14318           | Seal, M30 x 40 x 6              | 1   |
| 13     | 14309        | Ball, Shift Indent - 150cc           | 1   | 32     | 14598           | Bearing, Sealed 6205 - 150CC    | 1   |
| 14     | 14310        | Spring, Shift Indent - 150cc         | 1   | 33     | 14511           | Washer, M22 X 31 X 2.5 Flat     | 1   |
| 15     | 14311        | Gasket, Shift Indent - 150cc         | 1   | 34     | 14319           | Circlip, M25                    | 1   |
| 16     | 14312        | Bolt, Shift Indent - 150cc           | 1   | 35     | 14320           | Circlip, M52                    | 1   |
| 17     | 14502        | Nipple, Vent Tube - 150cc Small      | 1   | 36     | 14321           | Clamp, Wire                     | 1   |
| 18     | 14313        | Bolt, Drain/Fill Plug - 150cc        | 2   | 37     | 9.106.040       | Bolt, M6 x 1.00 x 40 FHCS       | 10  |
| 19     | 14314        | Gasket, Trans Drain Plug - 150cc     | 2   | 38     | 14597           | Oil Seal, Shifter Cam - 150CC   | 1   |



# FIG.16

## FRAME

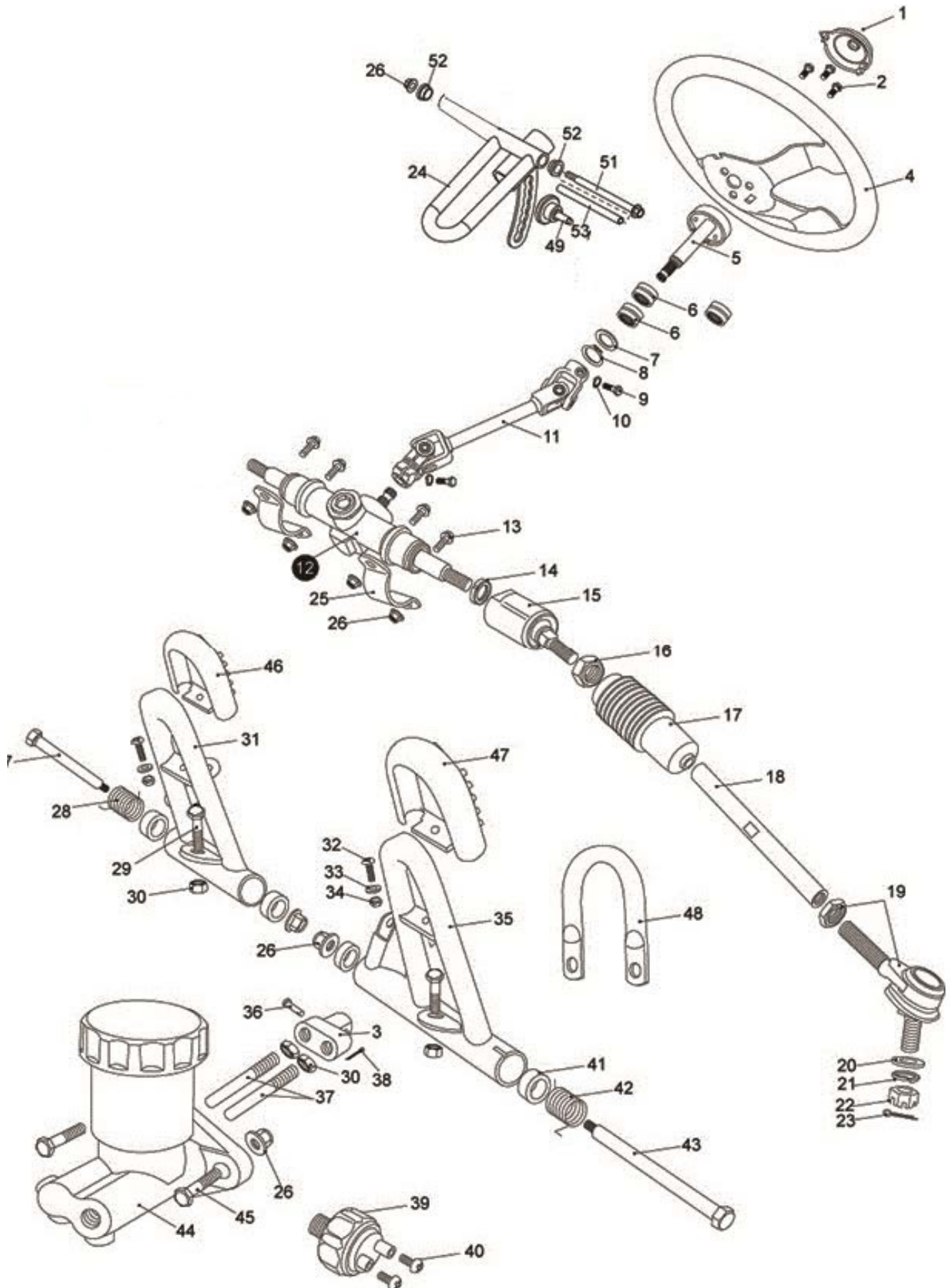


# FIG.16

| FRAME GROUP |                         |                                     |          |
|-------------|-------------------------|-------------------------------------|----------|
| REF NO.     | PART NO.                | DESCRIPTION                         | REGD. NO |
| F16-1       | 13-0101-00-FB           | C.B.C. CROSS BAR Flat Black         | 1        |
| F16-2       | 13-0801-00              | CANOPY TOP                          | 1        |
| F16-3       | 13-0102-00-FB           | C.B.C. BAR CAGE Flat Black          | 2        |
| F16-4       | 6.000.135               | HORN                                | 1        |
| F16-5       | 13-0201-00-(color code) | HOOD, UPPER -(Red, FB, BL, ORG, CM) | 1        |
| F16-6       | 7.010.017               | TUBE SEAT $\Phi$ 25                 | 8        |
| F16-7       | 9.108.055               | SOCKET BOLT M8X1.25X55              | 8        |
| F16-8       | 7.010.049               | R-WASHER                            | 16       |
| F16-9       | 9.108.050               | SOCKET BOLT M8X1.25X50              | 4        |
| F16-10      | 9.220.008               | LOCKING FLANGE NUT M8               | 4        |
| F16-11      | 6.000.114               | Front Side Reflector                | 2        |
| F16-12      | 13-0202-03-FB           | FR. HOOD, LOWER                     | 1        |
| F16-13      | 6.000.083               | FOAM PADDING                        | 2        |
| F16-14      | 003-050016-00           | SCREW BOLT, M5X16                   | 6        |
| F16-15      | 7.020.012               | RUBBER FOOT PLATE                   | 2        |
| F16-16      | 13-0206-00              | HEADLIGHT UNIT                      | 2        |
| F16-17      | 9.108.050               | FLANGE BOLT M8 x 1.25 x 50          | 2        |
| F16-18      | 9.220.008               | NUT M8                              | 2        |
| F16-19      | 9.106.014               | FLANGE BOLT M6X14                   | 6        |
| F16-20      | 9.700.004               | BANJO BOLT M10x24                   | 6        |
| F16-21      | 6.000.089               | BRAKE HOSE ASSY. L. 34"             | 1        |
| F16-22      | 6.000.090               | BRAKE HOSE ASSY. R. 43"             | 1        |
| F16-23      | 6.000.091               | BRAKE HOSE ASSY. RR. 75"            | 1        |
| F16-24      | 6.000.232               | THROTTLE CABLE COMP.                | 1        |
| F16-25      | 14456                   | Forward/Reverse Cable F-N-R         | 1        |
| F16-26      | 6.000.050               | PARKING BRAKE CABLE COMP.           | 1        |
| F16-27      | 003-060015-00           | PAN SCREW, M6X15                    | 4        |
| F16-28      | 7.020.049               | HEADLIGHT RUBBER MOUNT              | 4        |
| F16-29      | 13-0631-00              | FRONT BLINKER/MIRROR MOUNT          | 2        |
| F16-30      | 13-0632-00              | REAR BLINKER MOUNT                  | 2        |
| F16-31      | 13-1422-00              | COPPER CRUSHWASHER, BRAKE LINE      | 12       |
| F16-32      | 13-0501-00              | GRIP, HANDLEBAR                     | 1        |
| F16-33      | 6.000.137               | SIDE MIRROR SET (LEFT AND RIGHT)    | 1        |
| F16-34      |                         |                                     | 1        |
| F16-35      | 13-0103-00-FB           | SIDE ARM BARS Flat Black            | 2        |
| F16-36      | 7.010.016               | TUBE SEAT SIDE ARM BARS             | 2        |
| F16-37      | 7.010.034-SS            | LEFT FRONT FENDER                   | 1        |
| F16-38      | 7.010.034-SS            | RIGHT FRONT FENDER                  | 1        |
| F16-39      | 6.000.067-S             | LF FENDER BRACKET PIN STRUT MOUNT   | 1        |
| F16-40      | 6.000.102-S             | RF FENDER BRACKET PIN STRUT MOUNT   | 1        |
| F16-41      | 6.000.155-SS            | FRONT LEFT TURN SIGNAL              | 1        |
| F16-42      | 6.000.156-SS            | FRONT RIGHT TURN SIGNAL             | 1        |
| F16-43      | 6.000.156-SS            | REAR LEFT TURN SIGNAL               | 1        |
| F16-44      | 6.000.155-SS            | REAR RIGHT TURN SIGNAL              | 1        |

# FIG.17

## STEERING SHAFT ASSEMBLY

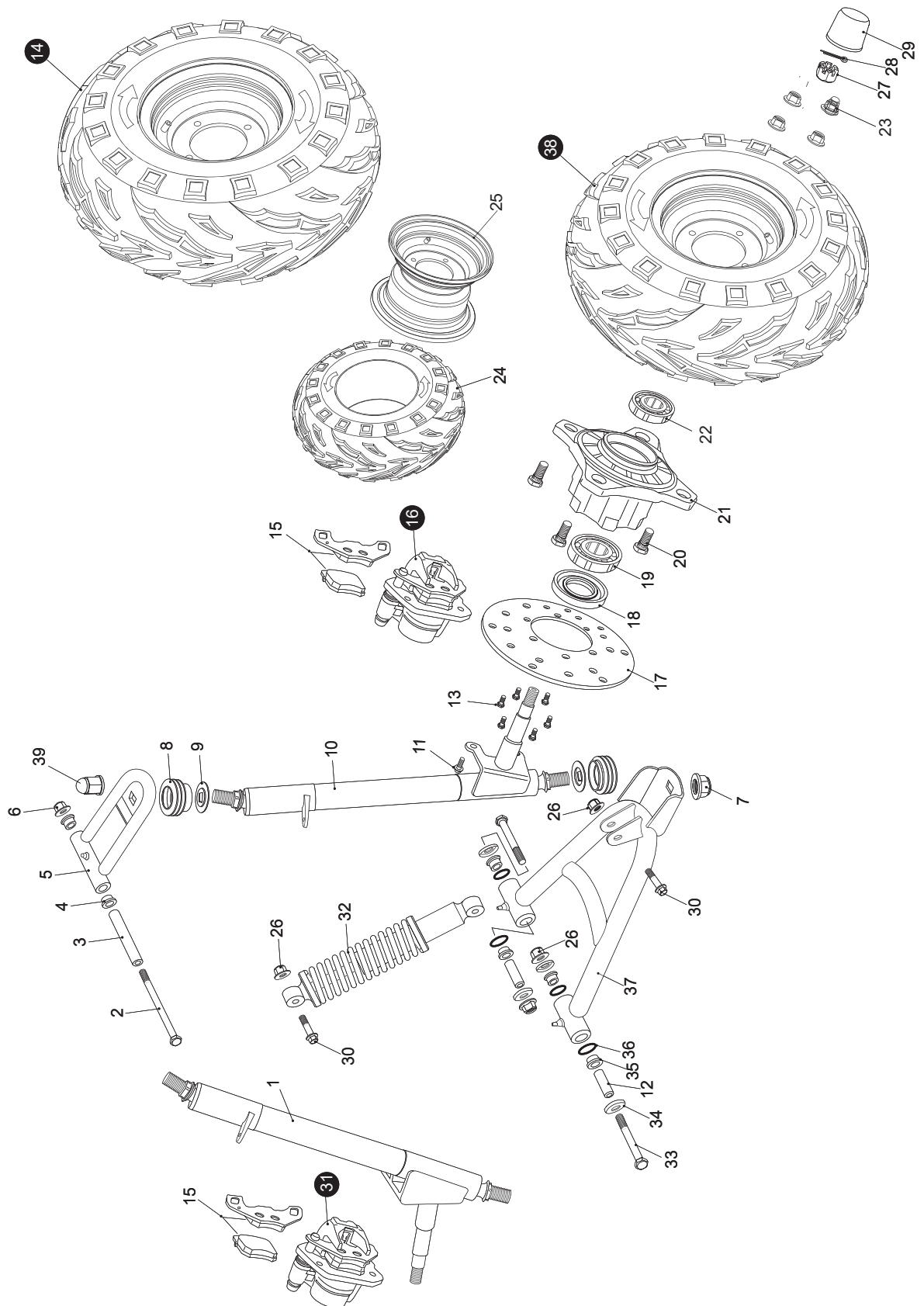


# FIG.17

| STEERING SHAFT ASSEMBLY |               |                                 |          |
|-------------------------|---------------|---------------------------------|----------|
| REF NO.                 | PART NO.      | DESCRIPTION                     | REGD. NO |
| F17-1                   | 7.010.041     | STEERING BOLT COVER             | 1        |
| F17-2                   | 9.106.012     | BOLT STRAP M6x12                | 3        |
| F17-3                   | 8.030.024     | SPINDLE BRACKET                 | 1        |
| F17-4                   | 7.020.038     | STEERING WHEEL                  | 1        |
| F17-5                   | 6.000.122     | STEERING SHAFT                  | 1        |
| F17-6                   | 9.030.012     | BEARING NK20/16                 | 2        |
| F17-7                   | 9.700.020     | SPECIAL WASHER $\Phi$ 20        | 1        |
| F17-8                   | 9.700.120     | CIRCLIP $\Phi$ 20               | 1        |
| F17-9                   | 9.108.025     | BOLT M8x25                      | 2        |
| F17-10                  | 9.400.008     | LOCKING WASHER $\Phi$ 8         | 2        |
| F17-11                  | 6.000.093     | STEERING KNUCKLE                | 1        |
| F17-12                  | 4.000.008-250 | STEERING GEAR                   | 1        |
| F17-13                  | 9.108.025     | FLANGE BOLT M8x1.25x25          | 4        |
| F17-14                  | 9.900.016     | ROUND NUT M16x1.5               | 2        |
| F17-15                  | 4.000.008     | STEERING BALL JOINT             | 2        |
| F17-16                  | 9.200.010     | NUT M10                         | 2        |
| F17-17                  | 7.020.002     | BALL JOINT DUST COVER. L.       | 2        |
| F17-18                  | 8.010.157-GTS | TIE ROD 5.5"                    | 2        |
| F17-19                  | 6.000.062     | ROD END                         | 2        |
| F17-20                  | 9.300.010     | FLAT WASHER $\Phi$ 10           | 2        |
| F17-21                  | 9.400.010     | LOCKING WASHER $\Phi$ 10        | 2        |
| F17-22                  | 9.800.010     | CASTLE NUT M10                  | 2        |
| F17-23                  | 9.500.215     | COTTER PIN $\Phi$ 2x15          | 2        |
| F17-24                  | 13-1012-00    | TILT STEERING HOUSING           | 1        |
| F17-25                  | 8.020.014     | STEERING GEAR BRACKET           | 2        |
| F17-26                  | 9.220.008     | LOCKING FLANGE NUT. M8          | 8        |
| F17-27                  | 9.708.145     | THROTTLE PEDAL BOLT M8x1.25x145 | 1        |
| F17-28                  | 8.040.001     | THROTTLE PEDAL RETURN SPRING, L | 1        |
| F17-29                  | 9.108.040     | FLANGE BOLT M8x1.25x40          | 2        |
| F17-30                  | 9.200.008     | NUT M8                          | 2        |
| F17-31                  | 4.000.016     | THROTTLE PEDAL COMP.            | 1        |
| F17-32                  | 9.600.515     | PAN SCREW M5x15                 | 2        |
| F17-33                  | H5260067      | PEDAL PAD PLATE                 | 2        |
| F17-34                  | 9.210.005     | NYLON LOCK NUT M5               | 2        |
| F17-35                  | 4.000.015     | BRAKE PEDAL COMP                | 1        |
| F17-36                  | 9.700.624     | PIN 6x24                        | 1        |
| F17-37                  | 8.010.081     | SPINDLE PIN                     | 2        |
| F17-38                  | 9.500.212     | COTTER PIN 2X12                 | 1        |
| F17-39                  | 6.000.063     | BRAKE LAMP SWITCH ASSY.         | 1        |
| F17-40                  | 9.600.306     | PAN SCREW M3x6                  | 2        |
| F17-41                  | 7.010.004     | PEDAL BUSH                      | 4        |
| F17-42                  | 8.040.007     | BRAKE PEDAL RETURN SPRING, R    | 1        |
| F17-43                  | 9.708.222     | BRAKE PEDAL BOLT M8x1.25x222    | 1        |
| F17-44                  | 6.000.076     | MASTER CYLINDER                 | 1        |
| F17-45                  | 9.108.035     | BOLT-WASHER M8x1.25x35          | 2        |
| F17-46                  | 7.020.036     | THROTTLE PEDAL PAD              | 1        |
| F17-47                  | 7.020.037     | BRAKER PEDAL PAD                | 1        |
| F17-48                  | 8.070.044     | MASTER CYLINDER BRACKET         | 2        |
| F17-49                  | 8.010.220     | ADJUSTING KNOB                  | 1        |
|                         |               |                                 |          |
| F17-51                  | 9.108.110     | TILT STEERING BOLT              | 1        |
| F17-52                  | 7.010.003     | TILT STEERING LOCKING BUSH      | 2        |
| F17-53                  | 8.010.222     | COLLAR                          | 1        |

# FIG.18

## SUSPENSION ARM ASSY.



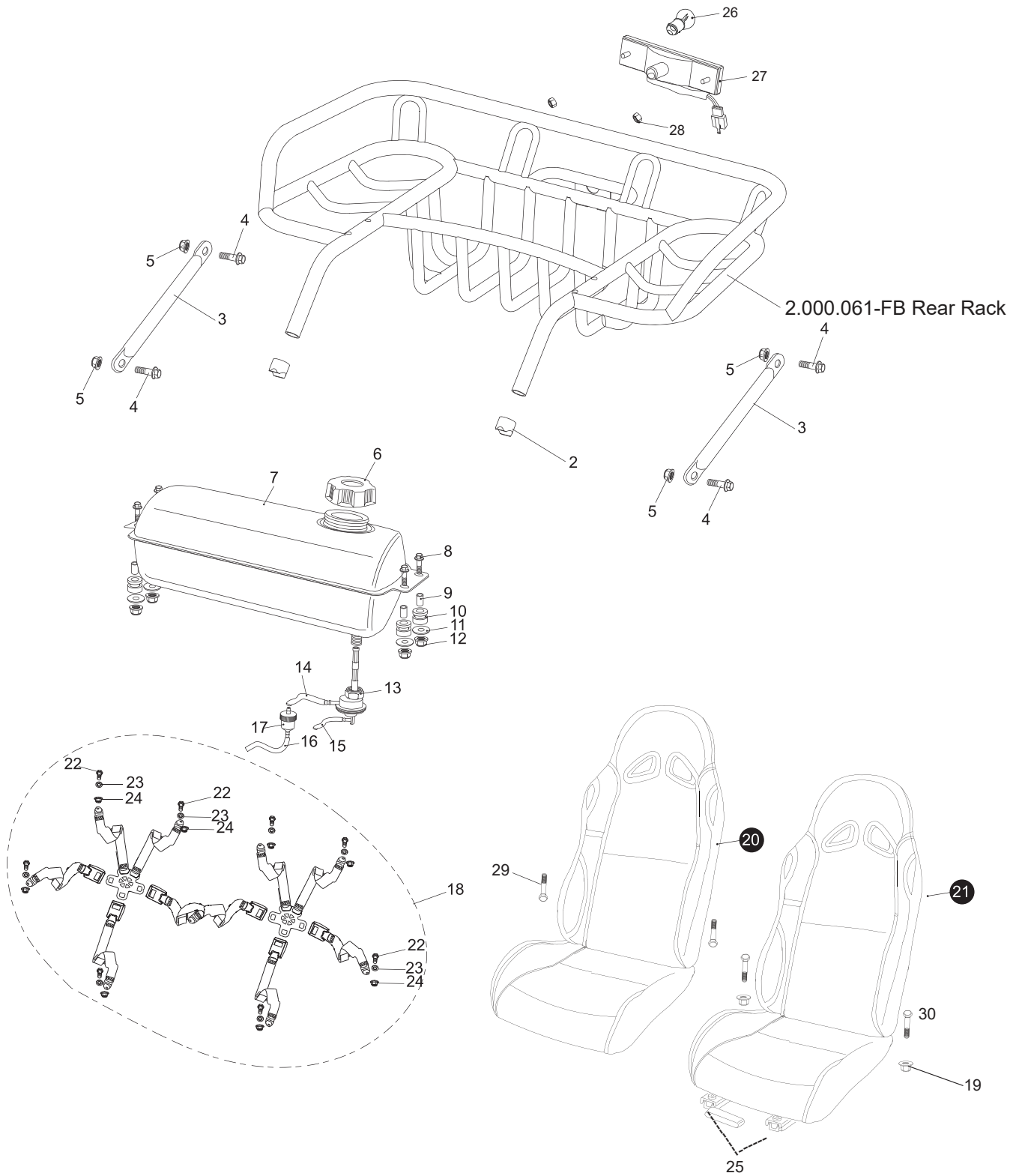
# FIG.18

## SUSPENSION ARM ASSEMBLY.

| REF NO. | PART NO.      | DESCRIPTION                                     | REGD. NO |
|---------|---------------|---|----------|
| F18-1   | 2.000.028-GTS | STRUT AND SPINDLE SUPPORT, R (PIN FENDER MOUNT) | 1        |
| F18-2   | 9.108.105     | FLANGE BOLT M8x1.25x105                         | 2        |
| F18-3   | 8.010.015     | UPPER SUSPENSION ARM COLLAR                     | 2        |
| F18-4   | 7.010.003     | UPPER SUSPENSION ARM BUSHING                    | 4        |
| F18-5   | 4.000.004-SLV | UPPER SUSPENSION ARM                            | 2        |
| F18-6   | 9.220.008     | LOCKING FLANGE NUT. M8                          | 2        |
| F18-7   | 9.800.012     | LOCKING FLANGE NUT. M12 (9.500.200 cotter pin)  | 4        |
| F18-8   | 7.020.025     | BALL HEAD DUST SEAL                             | 4        |
| F18-9   | 8.020.053     | BALL HEAD SPACER                                | 4        |
| F18-10  | 2.000.027-GTS | STRUT AND SPINDLE SUPPORT, L (PIN MOUNT FENDER) | 1        |
| F18-11  | 9.908.014     | BOLT STRAP M8x14                                | 4        |
| F18-12  | 8.010.014     | LOWER SUSPENSION ARM COLLAR                     | 4        |
| F18-13  | H7510035      | BOLT STRAP M6x12                                | 12       |
| F18-14  | 13-0903-00    | FRONT TIRE & WHEEL, RIGHT 19x7-8                | 1        |
| F18-15  | 7.020.016     | PAD SET. FR. BRAKE CALIPER                      | 2        |
| F18-16  | 6.000.028     | FRONT BRAKE CALIPER. L                          | 1        |
| F18-17  | 8.010.054     | FRONT DISC BRAKE                                | 2        |
| F18-18  | 9.040.002     | DUST SEAL 47x25-7                               | 2        |
| F18-19  | 9.030.002     | BEARING 6204-Z                                  | 2        |
| F18-20  | 9.710.031     | TIRE BOLT M10x1.25x31                           | 8        |
| F18-21  | 8.010.085B    | FRONT WHEEL HUB                                 | 2        |
| F18-22  | 9.030.010     | BEARING 6202-Z                                  | 2        |
| F18-23  | 9.220.010     | LOCKING FLANGE NUT M10                          | 8        |
| F18-24  | 7.020.033     | FRONT TIRE 19x7-8                               | 1        |
| F18-25  | 002-100080-03 | FRONT WHEEL 8" STEEL BLACK                      | 2        |
| F18-26  | 9.220.010     | LOCKING FLANGE NUT M10                          | 16       |
| F18-27  | 9.800.012     | CASTLE NUT M12                                  | 2        |
| F18-28  | 9.500.220     | COTTER PIN $\Phi$ 2x20                          | 2        |
| F18-29  | 7.020.039     | FR. HUB COVER.                                  | 2        |
| F18-30  | 9.110.040     | FLANGE BOLT M10x1.25x40                         | 4        |
| F18-31  | 6.000.095     | FRONT BRAKE CALIPER. R                          | 1        |
| F18-32  | 6.000.325     | CUSHION ASSY. FR L=325                          | 2        |
| F18-33  | 9.110.080     | FLANGE BOLT M10x1.25x80                         | 4        |
| F18-34  | 8.020.034     | LOWER SUSPENSION ARM DUST CAP                   | 8        |
| F18-35  | 7.010.002     | LOWER SUSPENSION ARM BUSHING                    | 8        |
| F18-36  | 9.040.001     | O-RING $\Phi$ 21.2x2.65                         | 8        |
| F18-37  | 4.000.023-SLV | LOWER SUSPENSION ARM ASSY.                      | 2        |
| F18-38  | 13-0901-00    | FRONT TIRE & WHEEL, LEFT 19X7-8                 | 1        |
| F18-39  | 8.010.140     | ACORN NUT M12                                   | 2        |

# FIG.19

## REAR CARGO RACK/SEAT/BELT

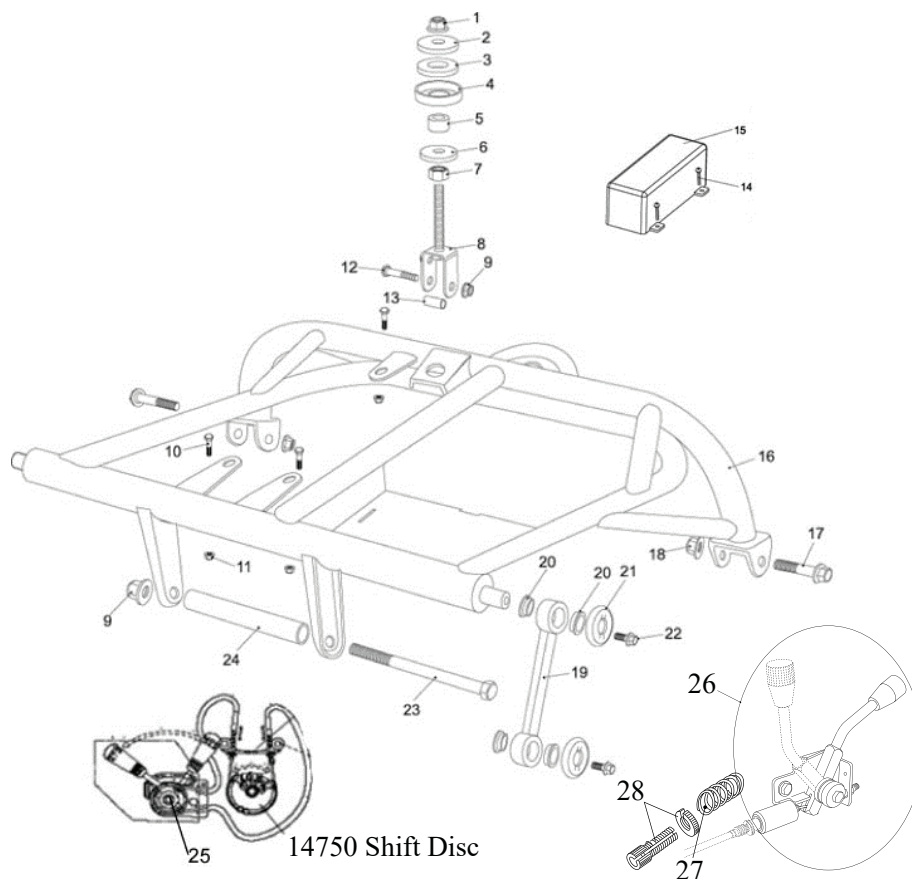


# FIG.19

| REAR CARGO RACK / SEAT BELTS / SEATS |              |                             |          |
|--------------------------------------|--------------|-----------------------------|----------|
| REF NO.                              | PART NO.     | DESCRIPTION                 | REGD. NO |
| F19-2                                | 7.010.017    | TUBE SEAT $\Phi$ 25         | 2        |
| F19-3                                | 8.080.051-FB | RACK SUPPORT ARM FLAT BLACK | 2        |
| F19-4                                | 9.108.020    | FLANGE BOLT M8X1.25X20      | 4        |
| F19-5                                | 9.220.008    | LOCKING FLANGE NUT. M8      | 4        |
| F19-6                                | 6.000.145    | FUEL TANK CAP               | 1        |
| F19-7                                | 99-1300      | FUEL TANK w/BRACKET         | 1        |
| F19-8                                | 9.106.065    | FLANGE BOLT M8X1.25X50      | 4        |
| F19-9                                | 8.010.035    | TANK COLLAR.                | 4        |
| F19-10                               | 7.020.011    | RUBBER MOUNT                | 4        |
| F19-11                               | 9.300.008    | FLAT WASHER $\Phi$ 8        | 4        |
| F19-12                               | 9.220.006    | NYLON LOCKING FLANGE NUT M8 | 4        |
| F19-13                               | 6.000.046    | AUTO FUEL COCK ASSY.        | 1        |
| F19-14                               | 7.020.030    | FUEL TUBE #1                | 1        |
| F19-15                               | 7.020.028    | VACUUM TUBE                 | 1        |
| F19-16                               | 7.020.029    | FUEL TUBE #2                | 1        |
| F19-17                               | 6.000.056    | FUEL FILTER                 | 1        |
| F19-18                               | 6.000.354    | SAFETY BELT COMP.           | 1        |
| F19-19                               | 9.220.008    | NUT M8                      | 2        |
| F19-20                               | 13-0401-00R  | SEAT COMP. R                | 1        |
| F19-21                               | 13-0401-00L  | SEAT COMP.L                 | 1        |
| F19-22                               | 9.700.001    | SPECIAL BOLT, M7/16"x28     | 1        |
| F19-23                               | 9.700.002    | WASHER BELT $\Phi$ 12       | 9        |
| F19-24                               | 9.700.003    | BELT NUT M7/16"             | 9        |
| F19-25                               | 6.000.057    | SEAT RAIL SET.              | 1        |
| F19-26                               | 9.090.002    | TAIL LIGHT BULB. 21W/5W 12V | 1        |
| F19-27                               | 6.000.010    | TAIL LIGHT                  | 1        |
| F19-28                               | 9.200.005    | LOCKING NYLON NUT, M5       | 2        |
| F19-29                               | 9.108.040    | BOLT M8X1.25X40             | 2        |
| F19-30                               | 9.900.840    | SEAT RAIL BOLT M8X1.25X40   | 2        |

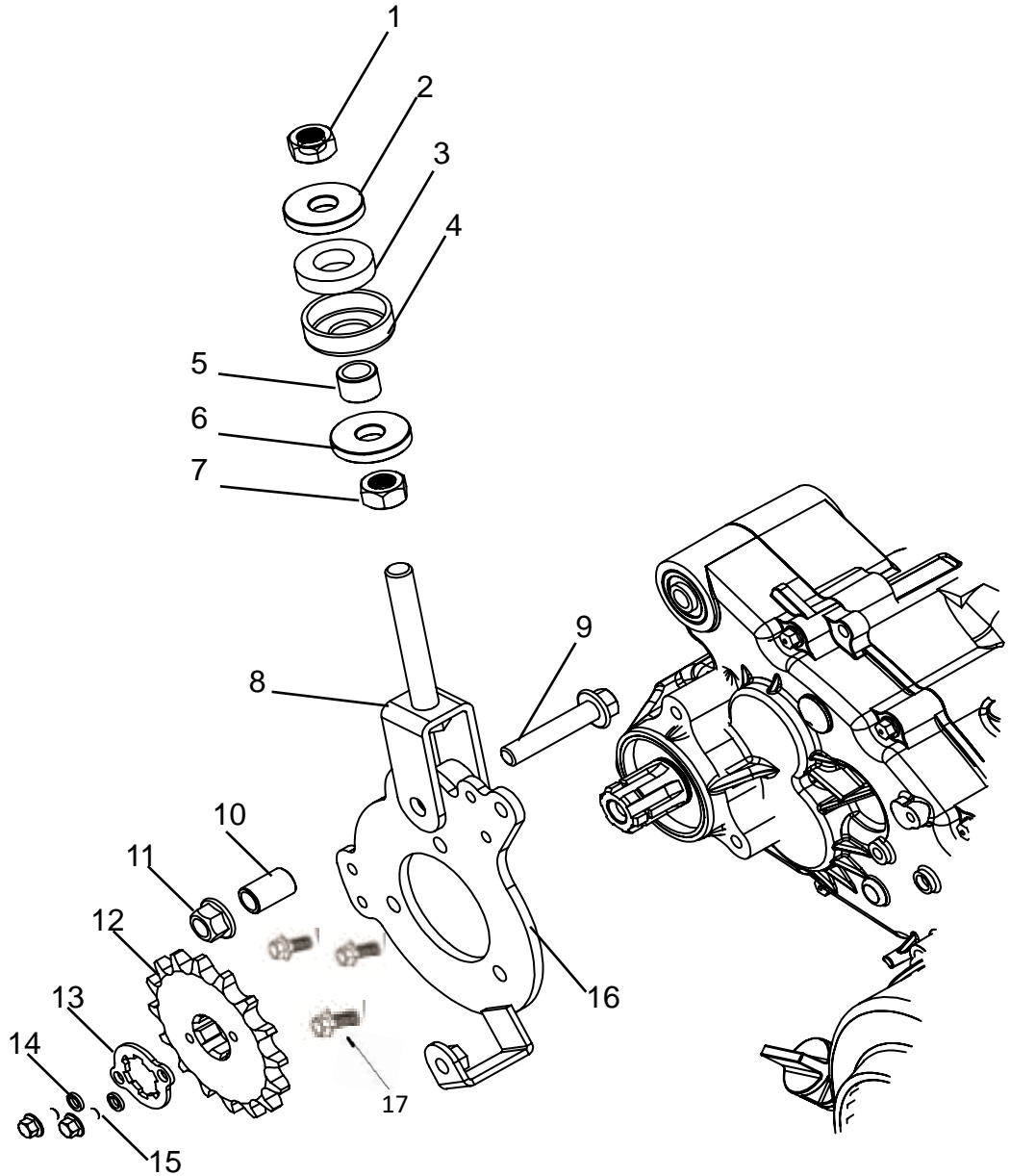


# FIG.20



| REAR UPPER SWINGARM |           |                                 |          |
|---------------------|-----------|---------------------------------|----------|
| REF NO.             | PART NO.  | DESCRIPTION                     | REGD. NO |
| F20-1               | 9.220.012 | LOCKING FLANGE NUT. M12         | 1        |
| F20-2               | 8.010.042 | WASHER. ENGINE MOUNT LINK       | 1        |
| F20-3               | 7.020.001 | CUSHION. ENGINE MOUNT LINK      | 1        |
| F20-4               | 8.020.045 | SPACER. ENGINE MOUNT LINK       | 1        |
| F20-5               | 8.010.041 | COLLAR. ENGINE MOUNT LINK       | 1        |
| F20-6               | 9.300.012 | WASHER. FLAT Φ12                | 1        |
| F20-7               | 9.200.012 | NUT M12                         | 1        |
| F20-8               | 205043043 | ENGINE MOUNT BOLT PLATE         | 1        |
| F20-9               | 9.220.010 | LOCKING FLANGE NUT. M10         | 1        |
| F20-10              | 9.106.022 | BOLT-WASHER M6x22               | 3        |
| F20-11              | 9.220.006 | LOCKING NYLON NUT. M6           | 3        |
| F20-12              | 9.110.045 | BOLT-WASHER M10x1.25x45         | 1        |
| F20-13              | 8.010.076 | COLLAR. ENGINE MOUNT BOLT PLATE | 1        |
| F20-14              | 9.600.655 | SCREW. PAN M6x55                | 2        |
| F20-15              | 7.010.029 | COVER. ELECTRIC ASS'Y.          | 1        |
| F20-16              | 2.000.062 | REAR SWING ARM ASS'Y. UPPER     | 1        |
| F20-17              | 9.112.060 | BOLT-WASHER M12x1.25x60         | 2        |
| F20-18              | 9.220.012 | LOCKING FLANGE NUT. M12         | 2        |
| F20-19              | 8.030.001 | SWING ARM DOG BONE              | 2        |
| F20-20              | 7.010.008 | BUSH. CON' ROD                  | 8        |
| F20-21              | 8.020.013 | SPACER. CON' ROD                | 4        |
| F20-22              | 9.108.016 | BOLT-WASHER M8x1.25x16          | 4        |
| F20-23              | 9.110.195 | BOLT-WASHER M10x1.25x195        | 1        |
| F20-24              | 8.010.025 | COLLAR. ENGINE MOUNT            | 1        |
| F20-25              | 14478     | SHIFTER ASSEMBLY                | 1        |
| F20-26              | 6.000.042 | PARKING BRAKE LEVER ASSEMBLY    | 1        |
| F20-27              | 8.040.004 | CABLE SPRING                    | 1        |
| F20-28              | 6.000.051 | CABLE ADJUSTING BOLT            | 1        |

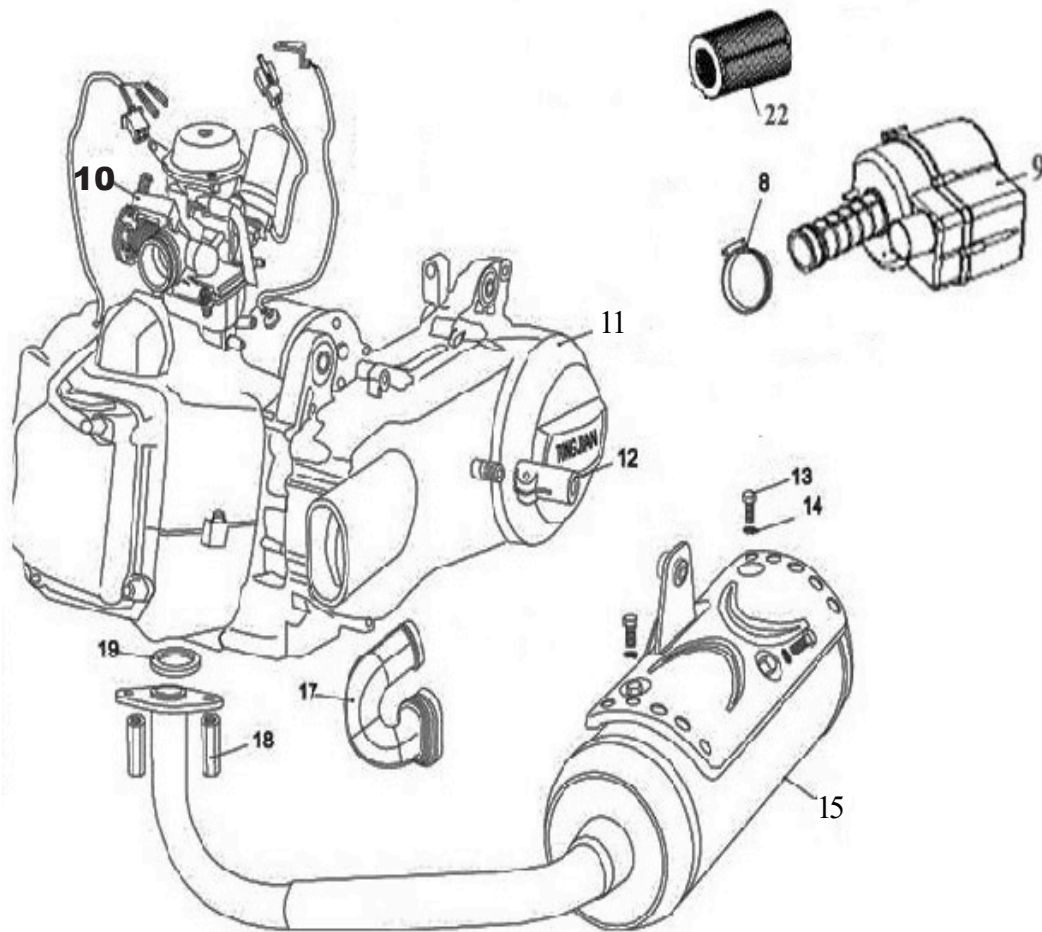
# ENGINE HANGER



| Ref #: | Part Number: | Engine Hanger<br>Description:      | Quantity: |
|--------|--------------|------------------------------------|-----------|
| 1      | 9.220.012    | Lock Nut m12                       | 1         |
| 2      | 8.010.042    | Washer, Engine Mount Link          | 1         |
| 3      | 7.020.001    | Cushion, Engine Mount Link         | 1         |
| 4      | 8.020.045    | Spacer Cup, Engine Mount Link      | 1         |
| 5      | 8.010.041    | Collar, Engine Mount Link          | 1         |
| 6      | 9.300.012    | Flat Washer 12                     | 1         |
| 7      | 9.200.012    | Nut m12                            | 1         |
| 8      | 205043043    | Adjuster Rod, Engine Mount Link    | 1         |
| 9      | 9.110.045    | Bolt m10x45                        | 1         |
| 10     | 8.010.076    | Adjuster Collar, Engine Mount Link | 1         |
| 11     | 9.220.010    | Lock Nut m10                       | 1         |
| 12     | 14217        | Engine Sprocket 16T 50P            | 1         |
| 13     | 14218        | Sprocket Keeper                    | 1         |
| 14     | 9.400.006    | Lock Washer 6                      | 2         |
| 15     | 9.106.012    | Bolt m6x12                         | 2         |
| 16     | 14480        | Upper Chain Guard Bracket          | 1         |
| 17     | 9.108.016    | Flange Bolt m8x1.25x16             | 3         |

# FIG.21

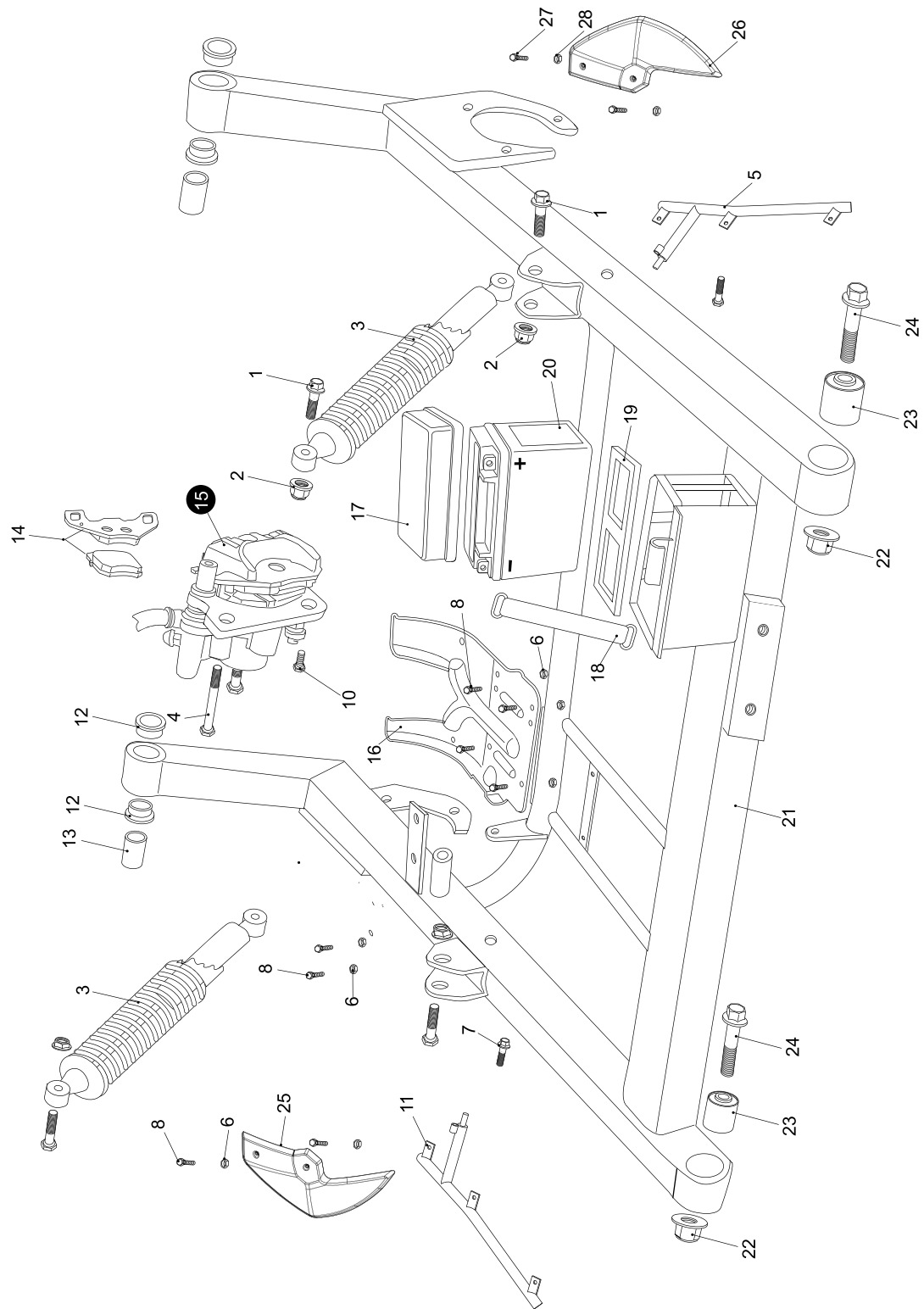
## ENGINE / MUFFLER / AIR CLEANER



| ENGINE / MUFFLER / AIR CLEANER |              |                                  |          |
|--------------------------------|--------------|----------------------------------|----------|
| REF NO.                        | PART NO.     | DESCRIPTION                      | REGD. NO |
| F21-8                          | 8.020.056    | AIR CLEANER CLAMP                | 1        |
| F21-9                          | 4.000.055    | AIR CLEANER ASSY.                | 1        |
| F21-10                         | 6.000.024    | CARBURETOR                       | 1        |
| F21-11                         | 006-JL150-03 | ENGINE, 150CC (non oil cooler)   | 1        |
| F21-12                         | 14507        | MUFFLER SUPPORT (BOLT 9.108.040) | 1        |
| F21-13                         | 9.106.012    | BOLT, M6X12                      | 3        |
| F21-14                         | 9.400.006    | LOCKING WASHER $\Phi$ 6          | 3        |
| F21-15                         | 6.000.074    | MUFFLER COMP. EX                 | 1        |
|                                |              |                                  |          |
| F21-17                         | 14322        | SIDE CASE BOOT                   | 2        |
| F21-18                         | 9.040.027    | MUFFLER JOINT NUT, M6            | 2        |
| F21-19                         | M150-3050354 | EX. PIPE GASKET                  | 1        |
|                                |              |                                  |          |
|                                |              |                                  |          |
| F21-22                         | 6.000.151    | AIR CLEANER ELEMENT              | 1        |
|                                |              |                                  |          |
|                                |              |                                  |          |
|                                |              |                                  |          |
|                                |              |                                  |          |
|                                |              |                                  |          |

# FIG.22

## REAR SWING ARM

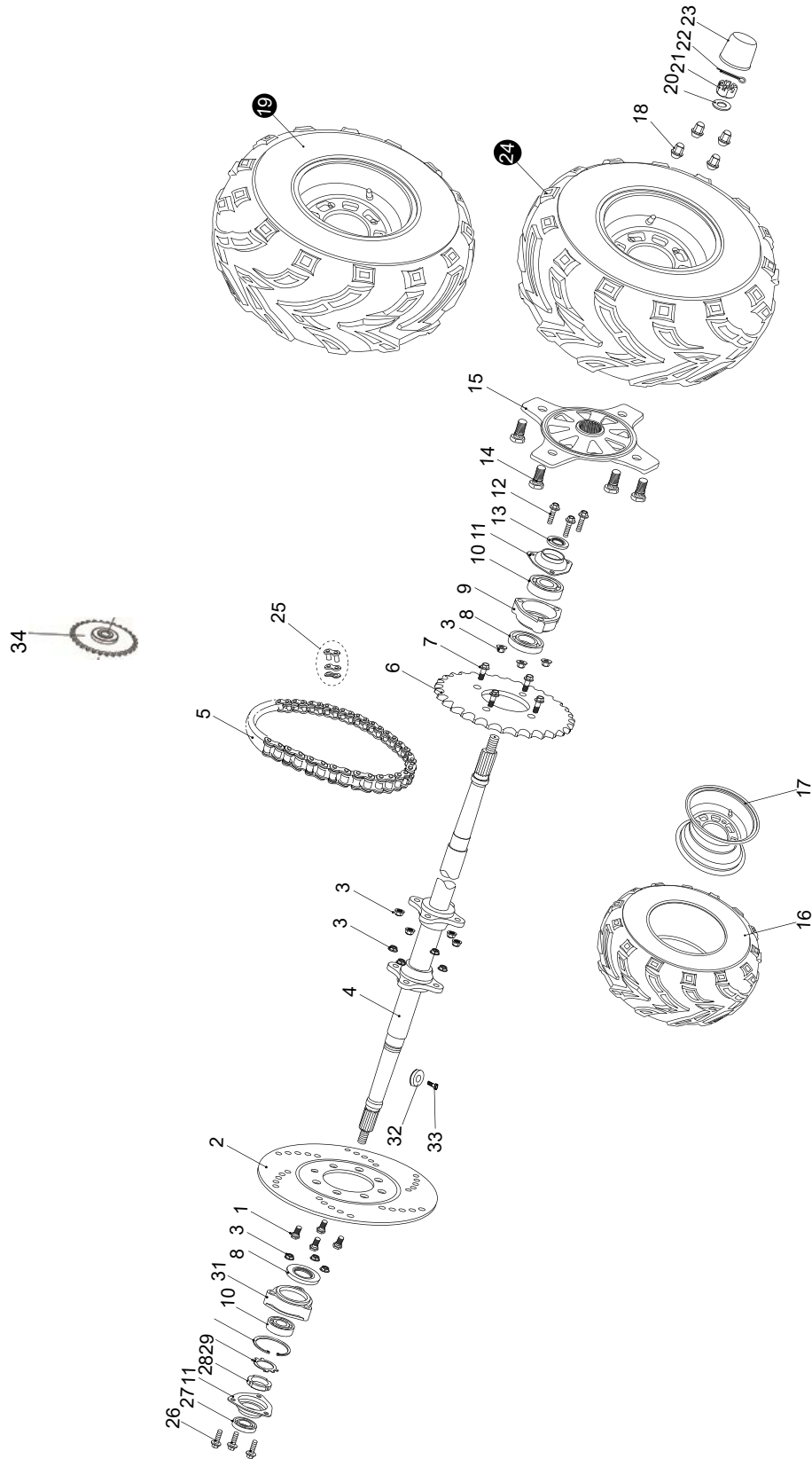


# FIG.22

| REAR SWING ARM |                          |  |          |
|----------------|--------------------------|--|----------|
| REF NO.        | PART NO.                 | DESCRIPTION                            | REGD. NO |
| F22-1          | 9.110.040                | FLANGE BOLT M10x1.25x40                | 4        |
| F22-2          | 9.220.010                | LOCKING FLANGE NUT M10                 | 4        |
| F22-3          | 6.000.006                | CUSHION ASSY. RR                       | 2        |
| F22-4          | 9.108.100                | BOLT STRAP M8x1.25x100                 | 1        |
| F22-5          | 13-0601-00L              | REAR FENDER BRACKET, L (PIN MOUNT)     | 1        |
| F22-6          | 9.220.006                | LOCKING NYLON NUT M6                   | 12       |
| F22-7          | 9.106.040                | FLANGE BOLT M6x1.25x40                 | 2        |
| F22-8          | 9.106.016                | FLANGE BOLT M6x16                      | 12       |
|                |                          |  |          |
| F22-10         | 9.908.012                | ALLEN BOLT M8x1.25x12                  | 1        |
| F22-11         | 13-0601-00R              | REAR FENDER BRACKET, R (PIN MOUNT)     | 1        |
| F22-12         | 7.010.006                | SWING ARM BUSHING                      | 4        |
| F22-13         | 8.010.028                | SWING ARM COLLAR                       | 2        |
| F22-14         | 7.020.022                | RR. BRAKE PAD SET                      | 1        |
| F22-15         | 6.000.229                | CALIPER ASSY. RR                       | 1        |
| F22-16         | 14185                    | LOWER CHAIN GUARD (14188 UPPER GUARD)  | 1        |
| F22-17         | 7.010.028                | BATTERY COVER                          | 1        |
| F22-18         | 7.020.023                | BATTERY BAND                           | 1        |
| F22-19         | 7.020.020                | BATTERY LOWER CUSHION                  | 1        |
| F22-20         | 6.000.055                | BATTERY (GTX9-BX)                      | 1        |
| F22-21         | 2.000.042                | RR. LOWER SWING ARM COMP.              | 1        |
| F22-22         | 9.220.012                | LOCKING FLANGE NUT M12                 | 2        |
| F22-23         | 7.020.008                | SWING ARM CUSHION BUSHING              | 2        |
| F22-24         | 9.112.060                | FLANGE BOLT M12x1.25x60                | 2        |
| F22-25         | 13-0204-00R-(color code) | R. REAR FENDER -(Red, FB, BL, ORG, CM) | 1        |
| F22-26         | 13-0204-00L-(color code) | L. REAR FENDER -(Red, FB, BL, ORG, CM) | 1        |
| F22-27         | 9.106.016                | BOLT, M6X16                            | 4        |
| F22-28         | 9.220.006                | NUT, M6                                | 4        |

# FIG.23

## REAR HOUSING



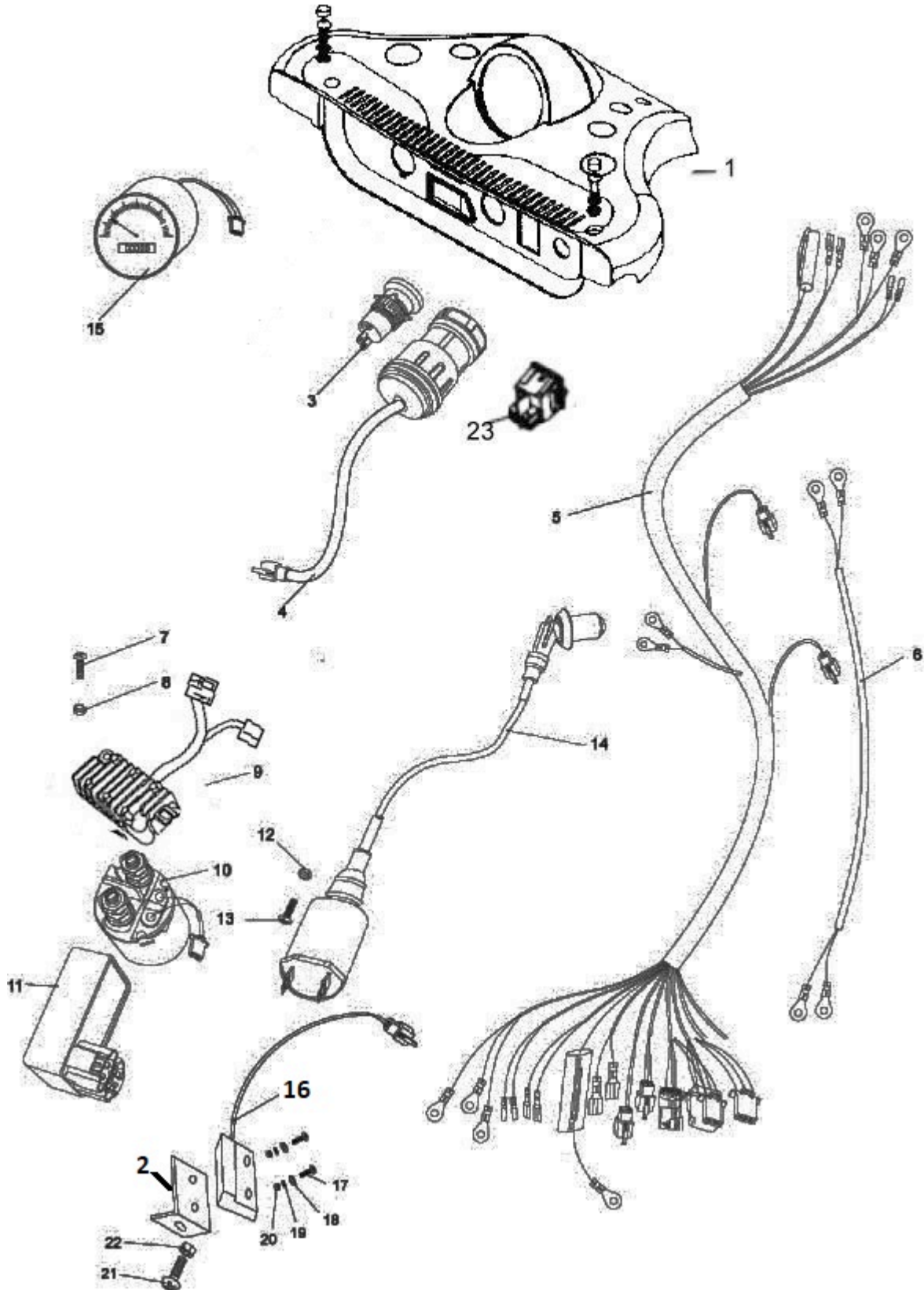
# FIG.23

## REAR HOUSING

| REF NO. | PART NO.      | DESCRIPTION                             | REGD. NO |
|---------|---------------|---|----------|
| F23-1   | 9.108.022     | BOLT-WASHER M8x1.25x22                  | 4        |
| F23-2   | 8.010.053     | DISC. RR. BRAKE                         | 1        |
| F23-3   | 9.220.008     | LOCK FLANGE NUT. M8                     | 14       |
| F23-4   | 8.010.057B-N  | REAR AXLE                               | 1        |
| F23-5   | 9.070.002-N   | CHAIN O-RING DRIVE 530X52               | 1        |
| F23-6   | 008-32-530    | REAR SPROCKET 32T                       | 1        |
| F23-7   | 9.108.027     | BOLT-WASHER M8x1.25x27                  | 4        |
| F23-8   | 9.040.006     | DUST SEAL 50X34-7                       | 2        |
| F23-9   | 8.030.033     | COMP. HOUSING RR. AXLE BRG              | 2        |
| F23-10  | 9.030.006     | BEARING 6206                            | 2        |
| F23-11  | 8.020.028     | BEARING BASE                            | 2        |
| F23-12  | 9.108.040     | BOLT-WASHER M8x1.25x40                  | 6        |
| F23-13  | 9.040.007     | DUST SEAL 42X30-7                       | 2        |
| F23-14  | 9.710.031     | BOLT. TIRE M10x1.25x31                  | 8        |
| F23-15  | 8.010.089B    | HUB. REAR AXLE                          | 2        |
| F23-16  | 7.020.035     | TIRE. RR 21x10-10                       | 2        |
| F23-17  | 002-100100-03 | RIM. RR 10" BLACK                       | 2        |
| F23-18  | 9.220.010     | LUG NUT. M10                            | 8        |
| F23-19  | 13-0904-00    | REAR TIRE/WHEEL ASSY., RIGHT            | 1        |
| F23-20  | 9.700.016     | WASHER 16                               | 2        |
| F23-21  | 9.800.016     | CASTLE NUT. M16                         | 2        |
| F23-22  | 9.500.430     | COTTER PIN. 4X30                        | 2        |
| F23-23  | 7.020.039     | COVER. RR. HUB                          | 2        |
| F23-24  | 13-0902-00    | REAR TIRE/WHEEL ASSY., LEFT             | 1        |
| F23-25  | 6.000.149     | MASTER LINK, CHAIN                      | 1        |
| F23-26  | 9.108.045     | FLANGE BOLT M8X1.25X45                  | 3        |
| F23-27  | 9.040.008     | DUST SEAL 42X28-7                       | 1        |
| F23-28  | 9.900.030     | ROUND NUT M30X1.5                       | 1        |
| F23-29  | 8.020.181     | KEEPER                                  | 1        |
| F23-30  |               |   |          |
| F23-31  | 8.030.033     | REAR AXLE BEARING HOUSING               | 1        |
| F23-32  | 7.050.001     | MAGNETIC CONTACT                        | 1        |
| F23-33  | 9.600.308     | Pan Screw M3x8                          | 1        |
| F23-34  | 14217         | Engine Drive Sprocket 50P 16T (3222266) | 1        |

# FIG.24

## ELECTRICALS





# FIG.24

| ELECTRICALS |               |                            |          |
|-------------|---------------|----------------------------|----------|
| REF NO.     | PART NO.      | DESCRIPTION                | REGD. NO |
| F24-1       | 7.110.038     | SWITCH PANEL COVER         | 1        |
| F24-2       | 8.020.197     | SPEEDOMETER SENSOR BRACKET | 1        |
| F24-3       | 6.000.159     | ENGINE STOP BUTTON         | 1        |
| F24-4       | 6.000.158     | KEY SWITCH                 | 1        |
| F24-5       | 13-0303-01    | WIRE HARNESS.              | 1        |
| F24-6       | 6.000.204     | POSITIVE/NEGATIVE CABLES   | 1        |
| F24-7       | 9.106.020     | BOLT M6x20                 | 2        |
| F24-8       | 9.220.006     | NYLON LOCKING NUT M6       | 2        |
| F24-9       | 6.000.124-GTS | REGULATE RECTIFIER COMP.   | 1        |
| F24-10      | 6.000.035     | STARTING RELAY             | 1        |
| F24-11      | 6.000.267     | C.D.I. UNIT COMP.          | 1        |
| F24-12      | 9.210.005     | NYLON LOCKING NUT M5       | 1        |
| F24-13      | 9.600.525     | ROUND HEAD BOLT M5x25      | 1        |
| F24-14      | 6.000.126     | IGNITION COIL COMP.        | 1        |
| F24-15      | 13-0305-00    | SPEEDOMETER                | 1        |
| F24-16      | 6.000.268     | SPEEDOMETER SENSOR         | 1        |
| F24-17      | 9.600.310     | SCREW, M3X10 (GB818)       | 1        |
| F24-18      | 12.026.025    | SPRING WASHER, 3 (GB93)    | 1        |
| F24-19      | 12.026.026    | FLAT WASHER,3 (GB97.1)     | 1        |
| F24-20      | 12.026.027    | NUT, M3 (GB6170)           | 1        |
| F24-21      | 9.106.020     | BOLT, M6X20 (GB5787)       | 1        |
| F24-22      | 9.220.006     | NUT, M6 (GB6187)           | 1        |
| F24-23      | 6.000.058     | HEADLIGHT SWITCH           | 1        |