



# Parts Manual

READ THIS MANUAL CAREFULLY,  
IT CONTAINS IMPORTANT SAFETY INFORMATION.

2010-2011 *GTS150*

10th letter in VIN: A-B

## *Dune Buggy*

MINIMUM  
RECOMMENDED  
OPERATOR AGE: **16**



### FOR OFF-ROAD USE ONLY

This vehicle is designed and manufactured for off-road use only.

USA only:

It does not conform to Federal Motor Vehicle Safety Standards, and in regards to operation on public streets, roads, or highways is illegal.

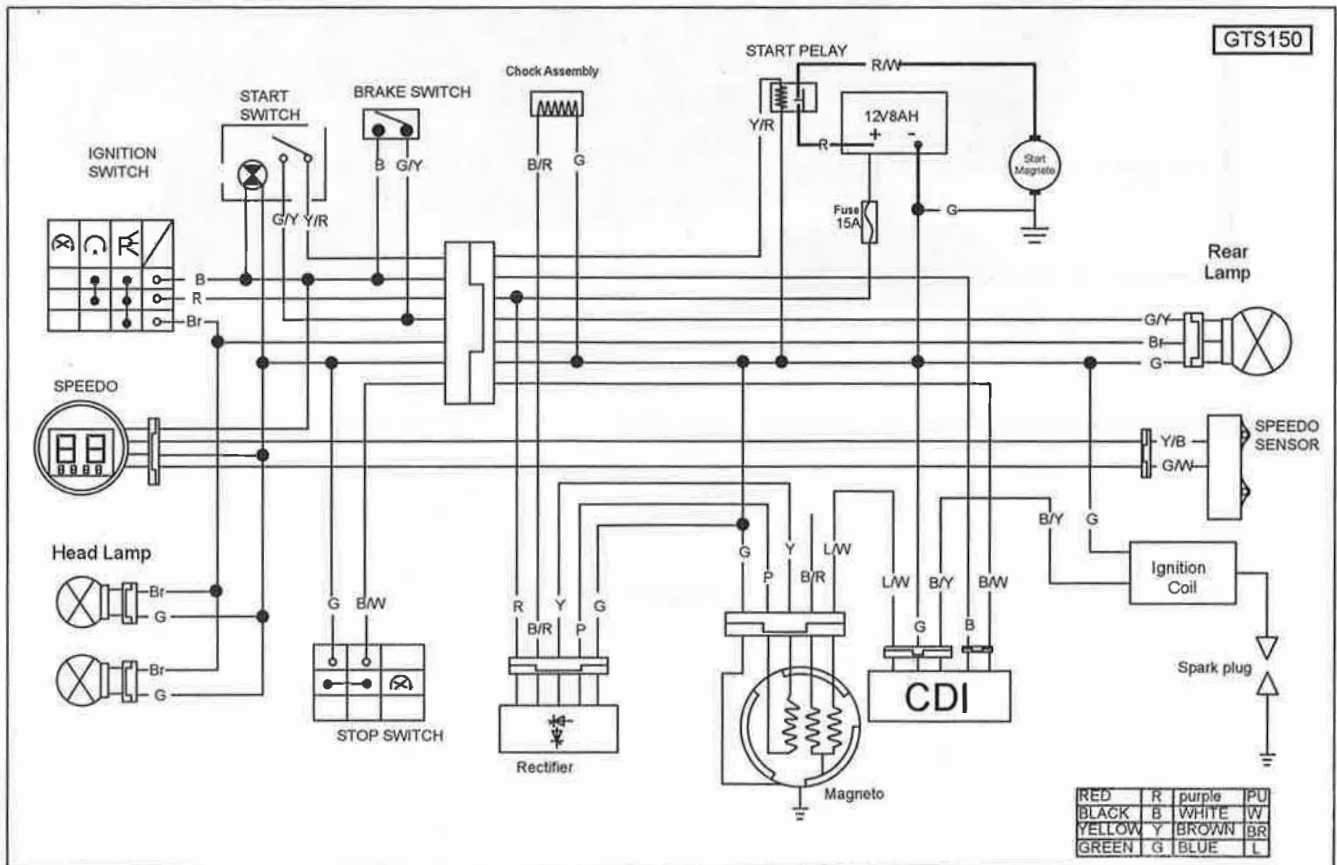
# PERIODICAL CHECK AND SERVICES

The maintenance intervals in the following table are based upon average driving conditions. Driving in unusually dusty areas, require more frequent servicing.

Items \ Time of service	Initial service (first week)	Monthly	Quarterly	Yearly
Tire pressure/wear	I	I		
Brake performance	I	I		
Tightness of screws	I	I		
Air cleaner			C	I
Carburetor	I	A		C
Spark plug			C, A	
Drive chain	I	I	C, A, L	
Brake oil			I	
Replace gearbox oil		I	R	
Chassis		C, I	L	
Fuel switch/fuel tank		I		C
Battery			I	
Valve clearance of engine			A	

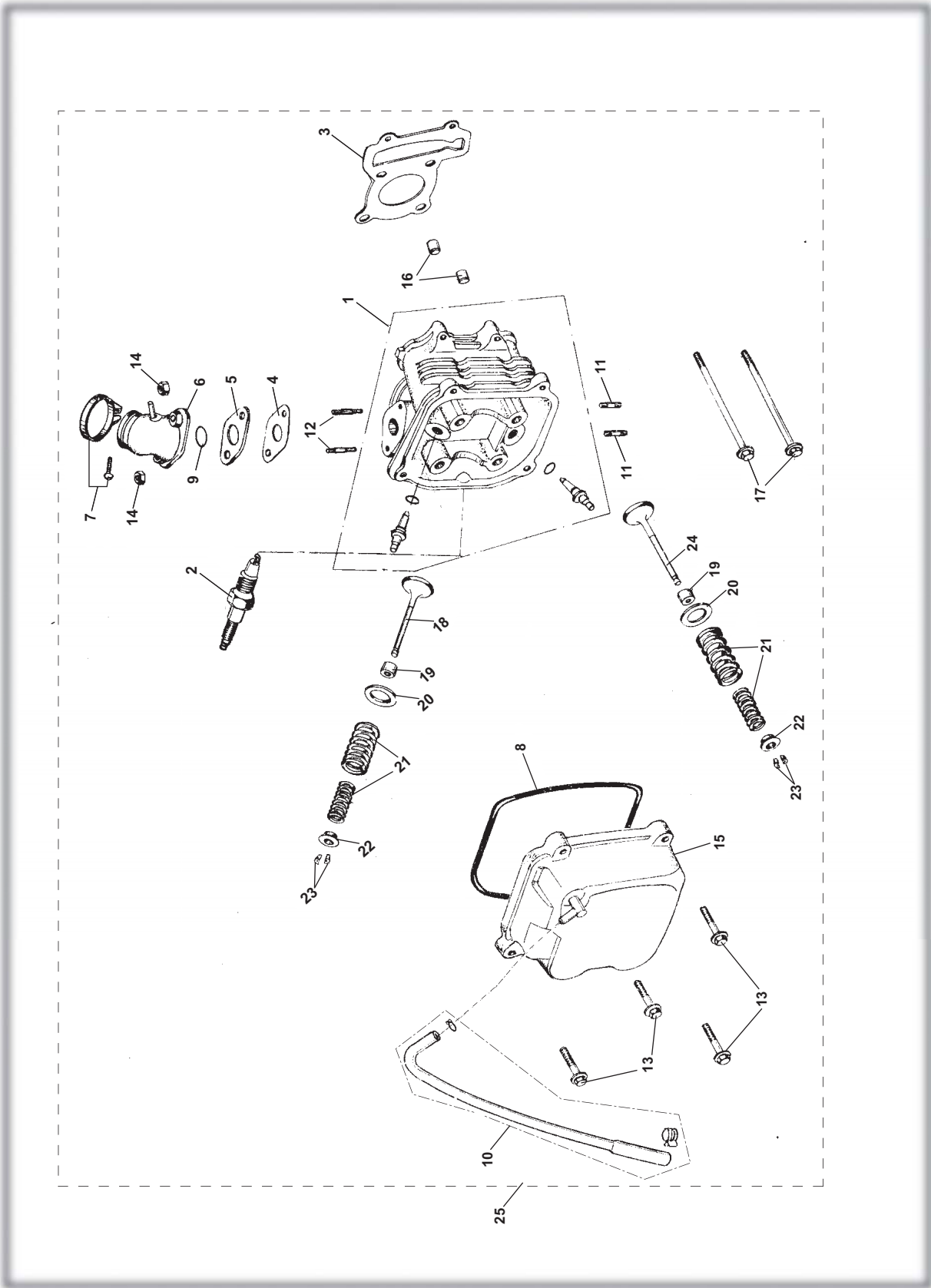
**A:** adjust **C:** clean **I:** inspect, clean or replace if necessary. **L:** lubricate **R:** replace

## WIRING DIAGRAM



# FIG.1

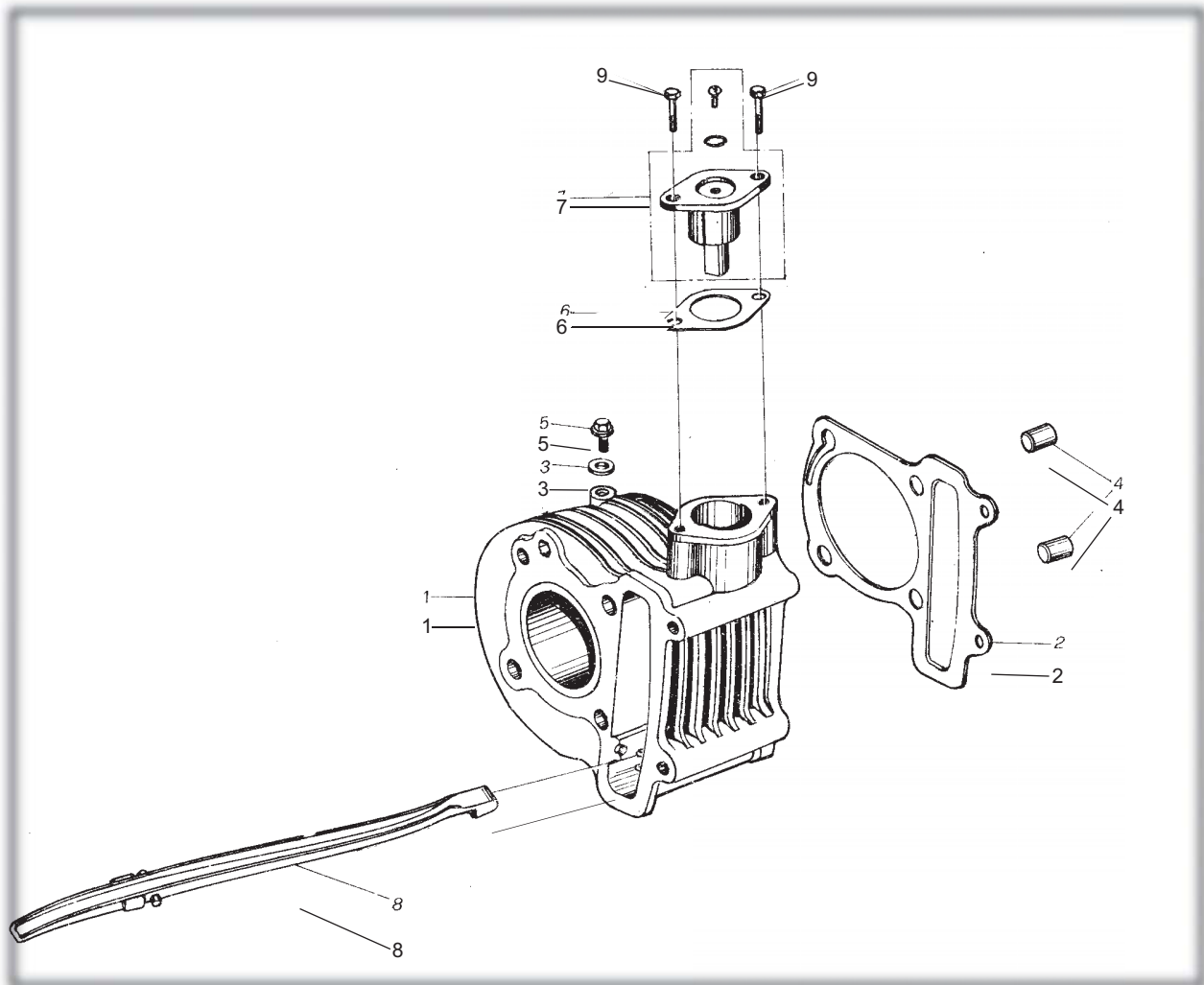
## CYLINDER HEAD ASSY.





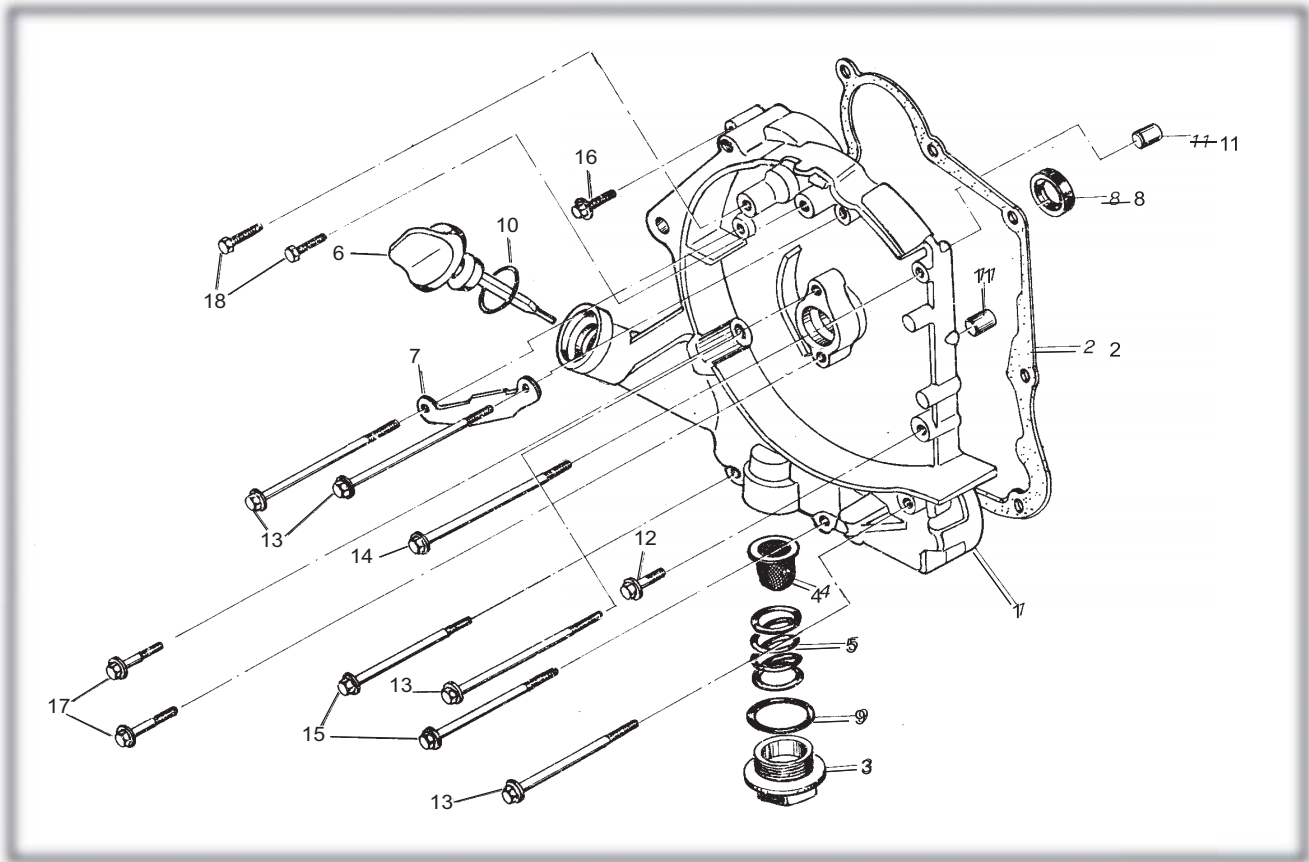


## CYLINDER ASSY.



<b>CYLINDER ASSY.</b>				
<b>REF NO.</b>	<b>PART NO.</b>	<b>DESCRIPTION</b>	<b>REGD NO.</b>	
1	M150-1002200	CYLINDER COMP.	1	
2	M150-3050351	CYLINDER GASKET	1	
3	90442-06000-KAT	WASHER SEALING 6	1	
4	M150-1001007	DOWEL PIN 10X16	2	
5	96001-06012-KAT	FLANGE BOLT M6X12-ZN. D	1	
6	M150-3050347	GASKET TENSIONER LIFTER	1	
7	M150-1002100	TENSIONER LIFTER ASSY.	1	
8	M150-1002300	CAM CHAIN GUIDE COMP.	1	
9	96001-06020-KAT	FLANGE BOLT 6X20	2	

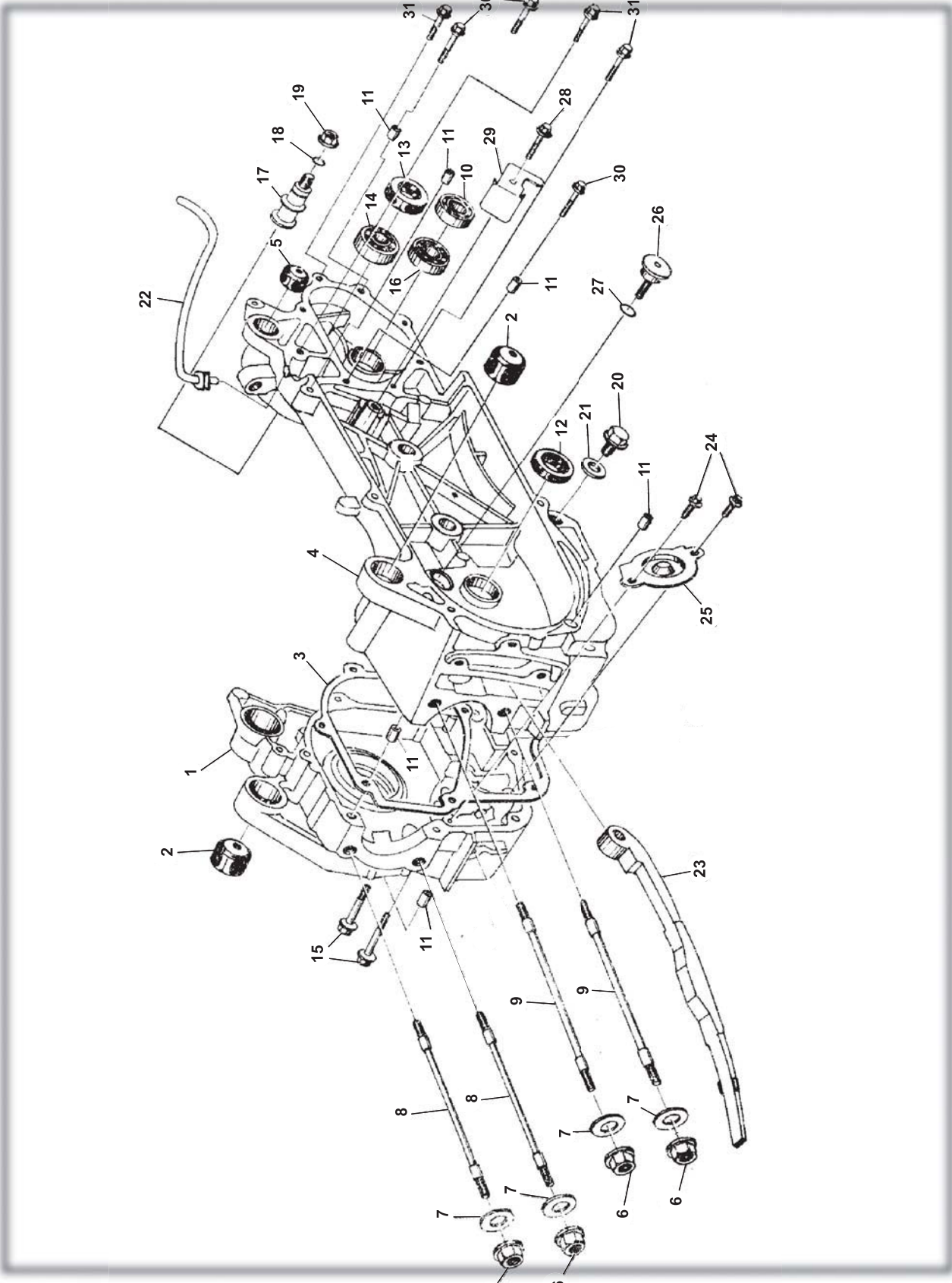
**CRANKCASE ASSY. (1)**



<b>CRANKCASE ASSY.(1)</b>				
<b>REF NO.</b>	<b>PART NO.</b>	<b>DESCRIPTION</b>	<b>REGD NO.</b>	
1	M150-1003101-B	R CRANKCASE COVER COMP.	1	
2	M150-3050350	CRANKCASE COVER GASKET	1	
3	M150-1003104	CAP TAPPET ADJUSTING HOLE	1	
4	M150-1003120	OIL FILTING SCREEN	1	
5	M150-1003102	OIL FILTING SCREEN SPRING	1	
6	M150-1003105	OIL LEVEL GAUGE	1	
7	M150-1003006	AC GENERATOR CORD CLAMPER	1	
8	M150-1003110	OIL SEAL 19.8X30X5	1	
9	M150-1003103	O-RING 30.8X3	1	
10	M150-1003307	O-RING 18X3	1	
11	M150-1003005	DOWEL PIN 8X14	2	
12	96001-06032-KAT	FLANGE BOLT M6X28	1	
13	M150-1003012	FLANGE BOLT M6X95	4	
14	M150-1003007	FLANGE BOLT M6X100	1	
15	M150-1003008	FLANGE BOLT M6X110	2	
16	M150-1003034	FLANGE BOLT M6X35	1	
17	M150-1003106	FLANGE BOLT M6X20	2	
18	92101-05012-OH	HEX BOLT M5X12-ZN.D	2	

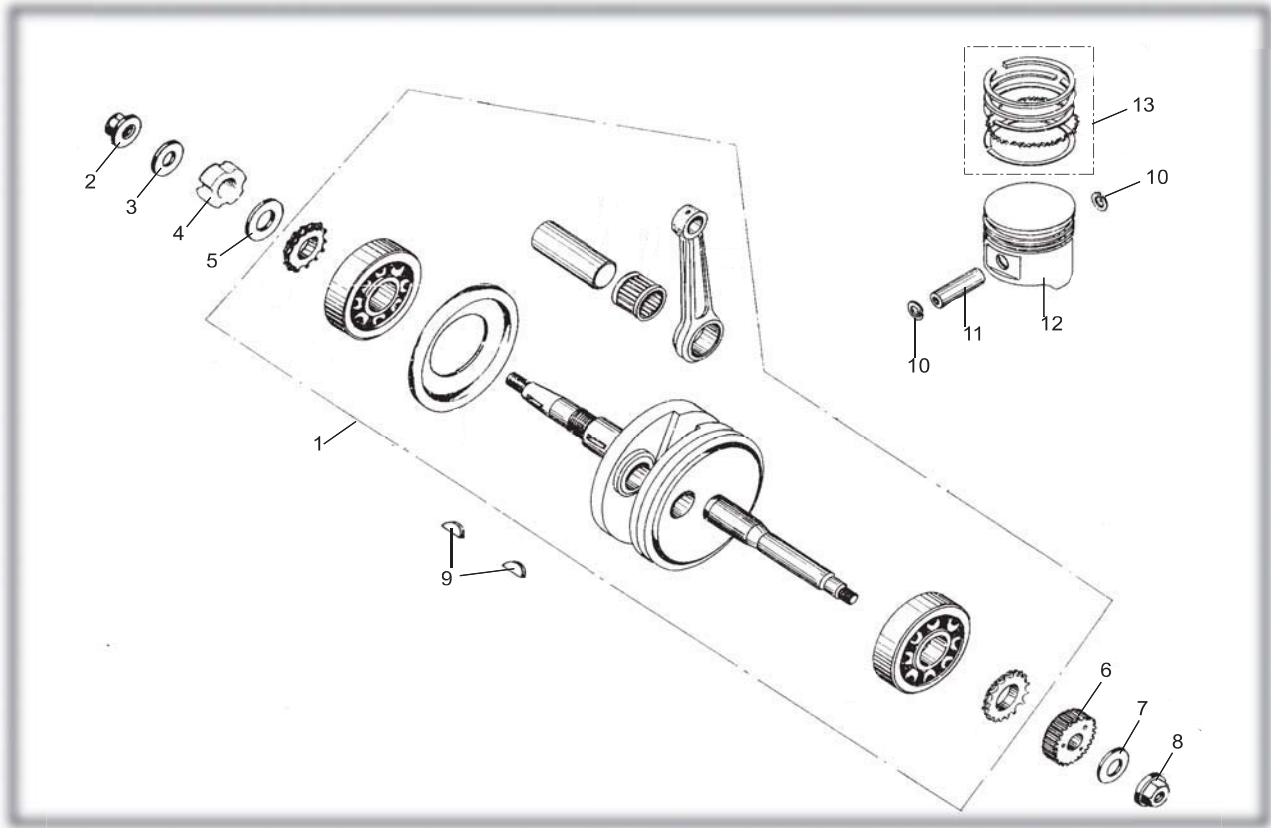
# FIG.4

## CRANKCASE ASSY. (2)



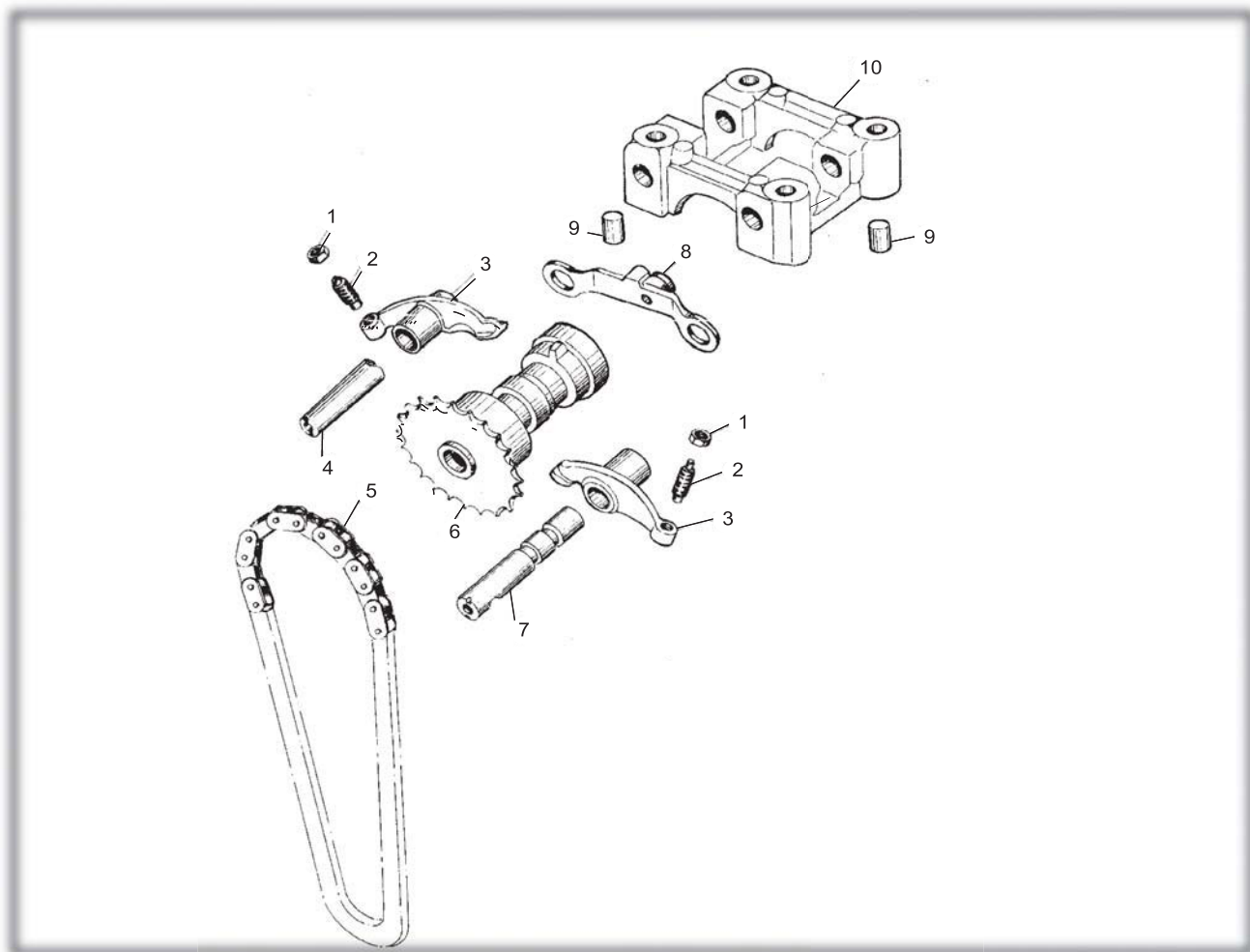


## CRANKSHAFT CON'ROD & PISTON ASSY.



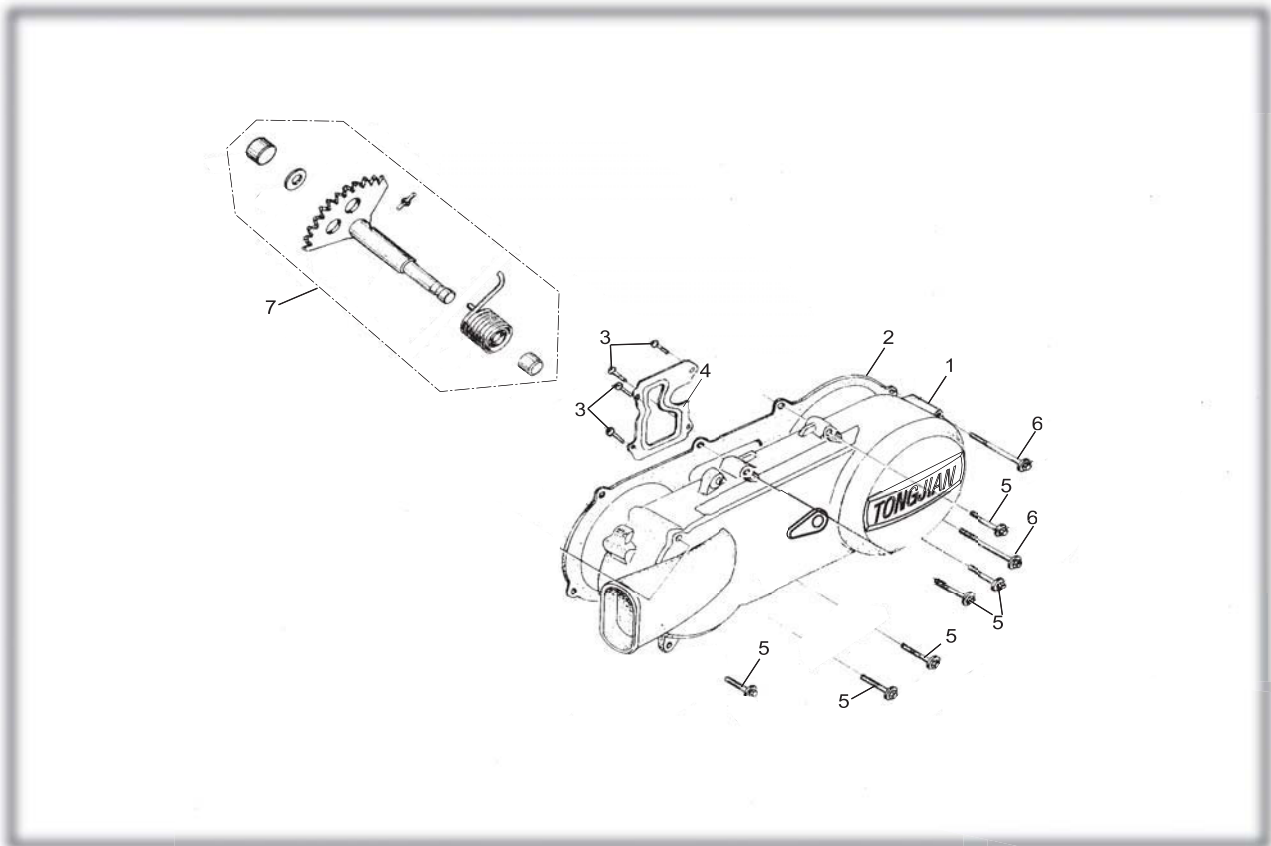
<b>CRANKSHAFT CON'ROD &amp; PISTON ASSY.</b>				
<b>REF NO.</b>	<b>PART NO.</b>	<b>DESCRIPTION</b>	<b>REGD NO.</b>	
1	M150-1004100	CRANKSHAFT & CONROD ASSY.	1	
2	M150-1004007	NUT M12X1.25	1	
3	M150-1004011	WASHER 12-149HV 12-140HV	1	
4	M150-1004009	SPANNER NUT (LEFT HAND THREAD)	1	
5	M150-1004013	WASHER	1	
6	M150-1004012	KICK DRIVE GEAR	1	
7	M150-1040005	WASHER $\Phi 12$	1	
8	M150-1004008	NUT M12	1	
9	M150-1004002	WOODRUFF KEY	2	
10	M150-1004003	PISTON PIN CLIP	2	
11	M150-1004006	PISTON PIN	1	
12	M150-1004001	PISTON	1	
13	M150-1004200	PISTON RING SET	1	

**CAMSHAFT ASSY.**



<b>CAMSHAFT ASSY.</b>				
<b>REF NO.</b>	<b>PART NO.</b>	<b>DESCRIPTION</b>	<b>REGD NO.</b>	
1	M150-1005004	TAPPET ADJUSTING NUT	2	
2	M150-1005003	TAPPET ADJUSTING SCREW	2	
3	M150-1005002	VALVE ROCKER ARM	2	
4	M150-1005005	EX ROCKER ARM SHAFT	1	
5	M150-1005400	CAMSHAFT CHAIN	1	
6	M150-1005300-N	CAMSHAFT COMP. 16T	1	
7	M150-1005200	IN ROCK ARM SHAFT COMP.	1	
8	M150-1005100	STOPPER PLATE COMP.	1	
9	M150-1001007	DOWEL PIN 10X16	2	
10	M150-1005001	CAMSHAFT HOLDER	1	

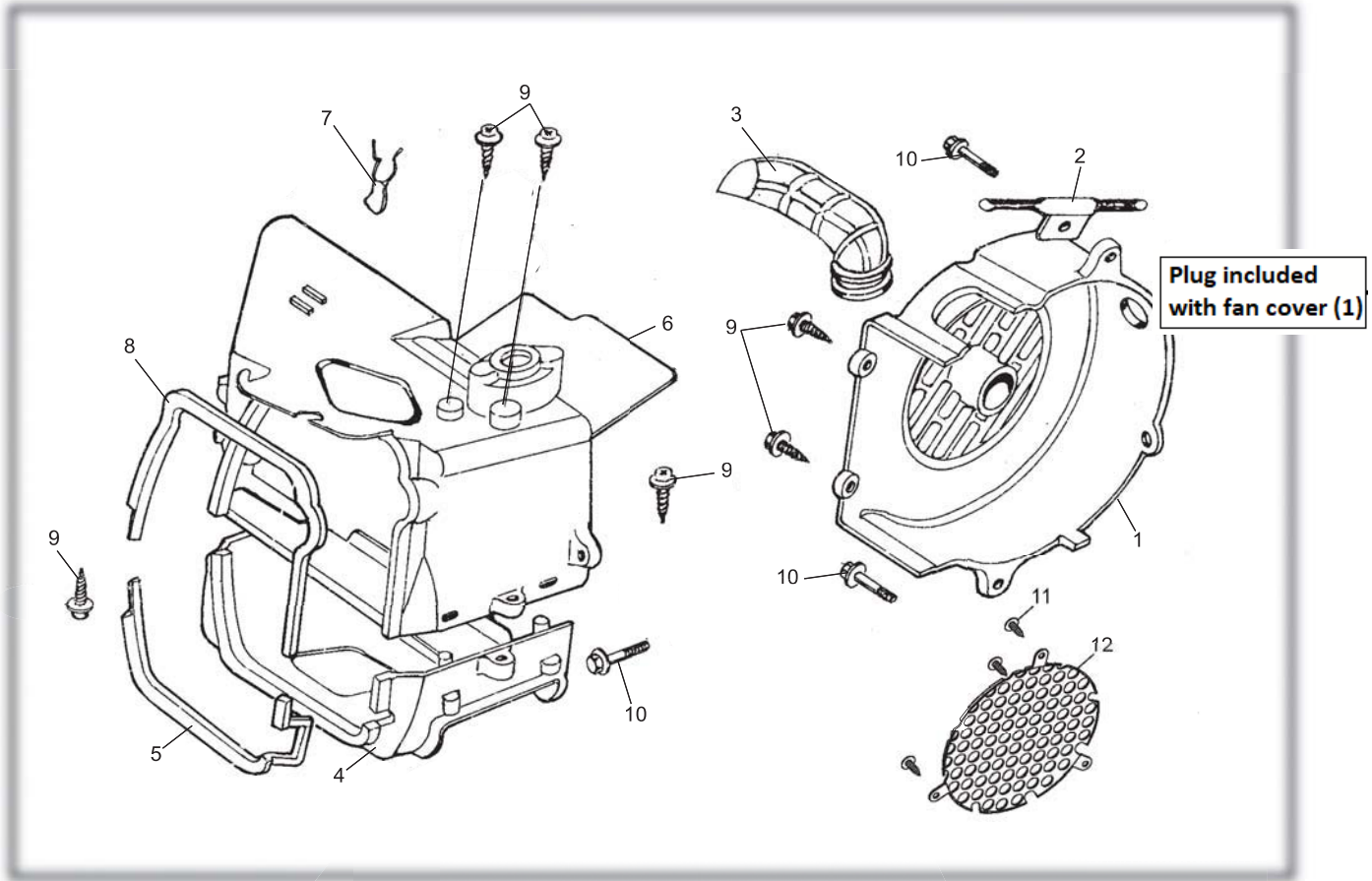
## LEFT COVER ASSY.



LEFT COVER ASSY.				
REF NO.	PART NO.	DESCRIPTION	REGD NO.	
1	M150-1008101	COVER L	1	
2	M150-1008005	L COVER GASKET	1	
3	93903-00428-KAT	TAPPING SCREW ST4.2X8-F-H	4	
4	M150-1008102	L COVER PLATE	1	
5	M150-1003034	FLANGE BOLT M6X40	6	
6	M150-1008006	FLANGE BOLT M6X65	2	
7	M150-1008200	KICK STARTER ASSY. SPINDLE COMP.	1	

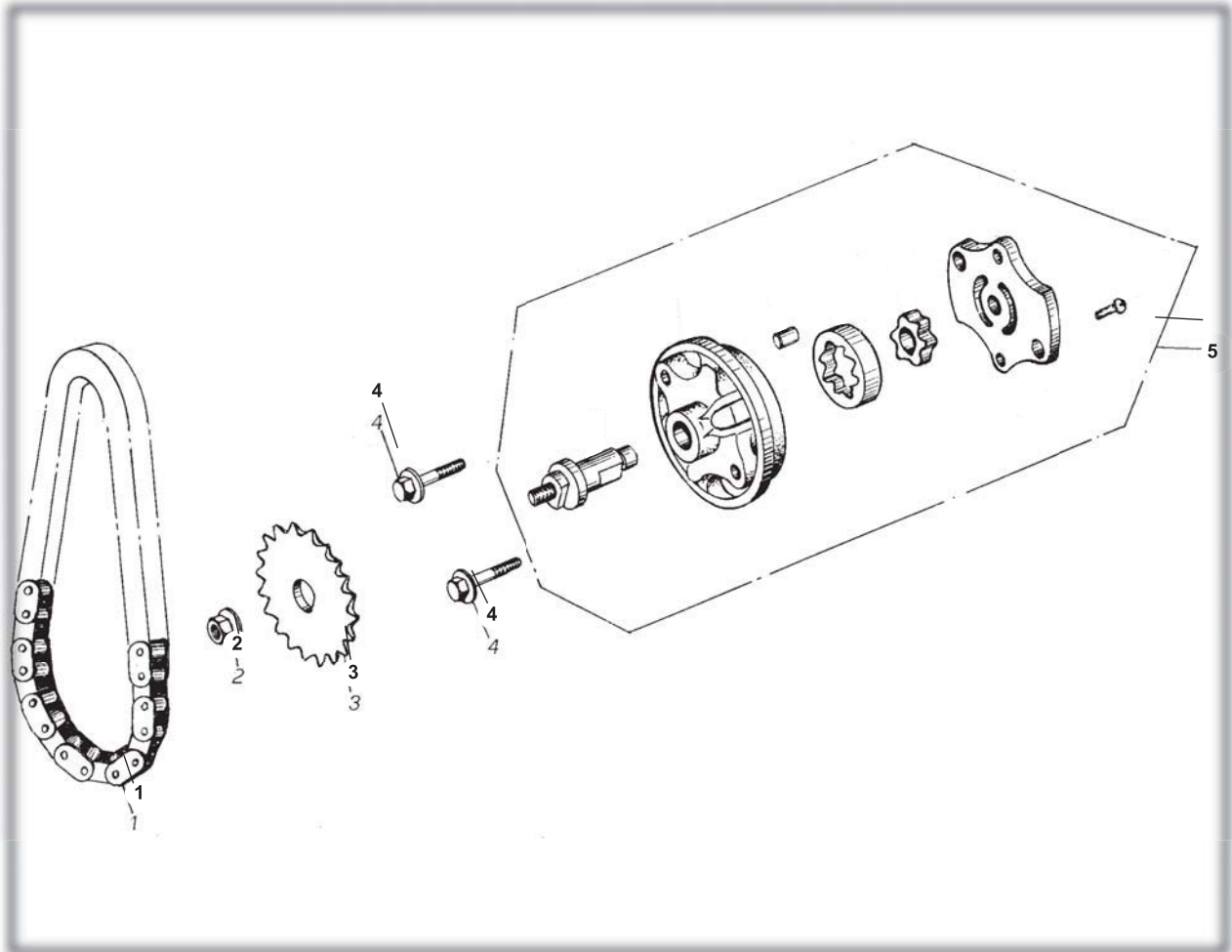


**FAN COVER AND SHROUD ASSY.**



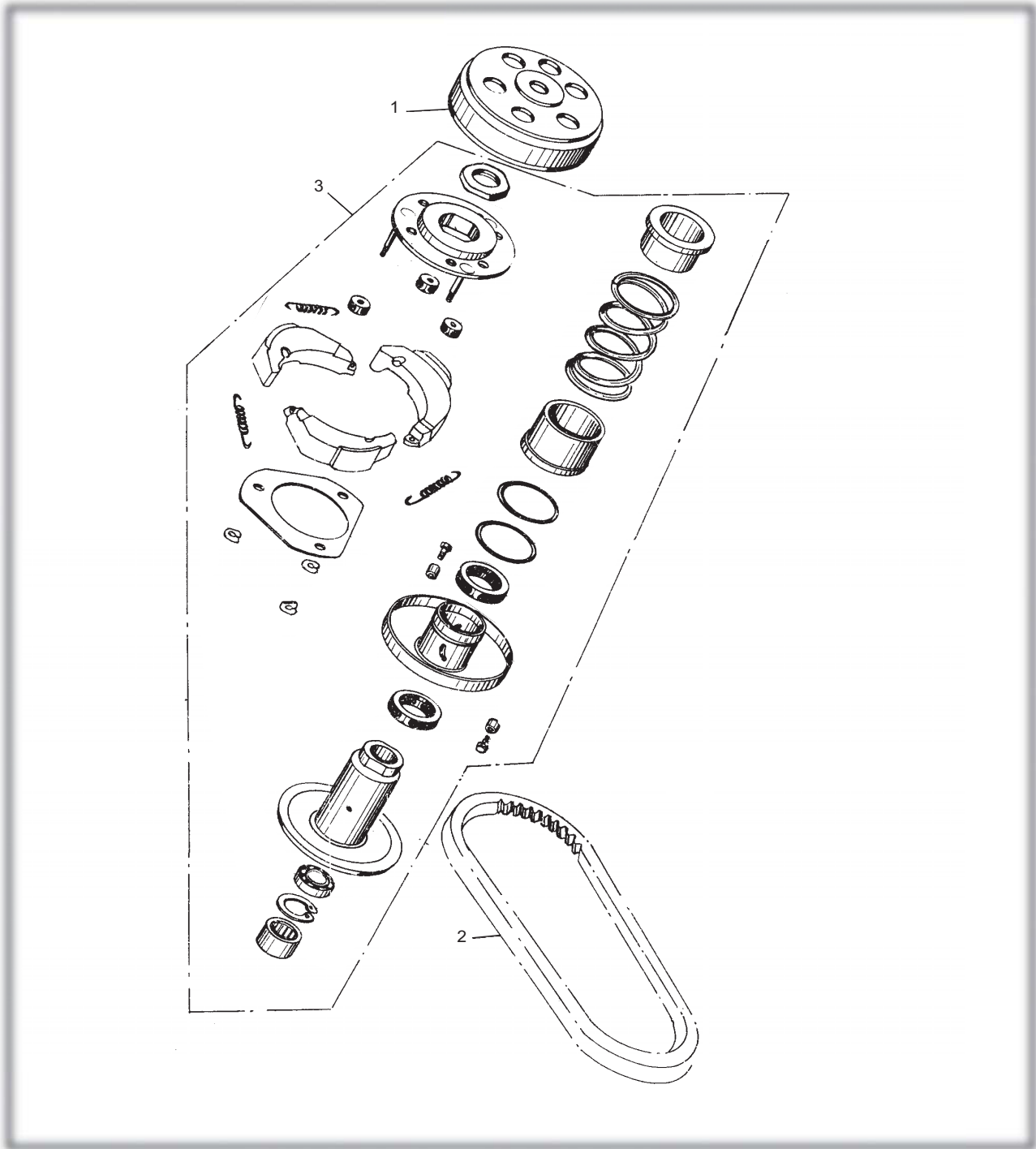
<b>FAN COVER AND SHROUD ASSY.</b>				
<b>REF NO.</b>	<b>PART NO.</b>	<b>DESCRIPTION</b>	<b>REGD NO.</b>	
1	M150-1009410	FAN COVER COMP.	1	
2	M150-1009002	STARTER CABLE CLAMPER	1	
3	M150-1009401	FAN SHROUD COOLING DUCT	1	
4	M150-1009301	LOWER SHROUD	1	
5	M150-1009302	LOWER SHROUD SEAL	1	
6	M150-1009110	UPPER SHROUD COMP.	1	
7	M150-1009103	HIGH TENSION CORD CLIP	1	
8	M150-1009102	UPPER SHROUD SEAL	1	
9	M150-1009402	SCREW ST4.8X16-F	6	
10	M150-1003075	BOLT M6X25	3	
11	9.805.003	SCREW ST3.5×13-F	3	
12	8.020.179	DUST COVER	1	

## OIL PUMP ASSY.



OIL PUMP ASSY.				
REF NO.	PART NO.	DESCRIPTION	REGD NO.	
1	M150-1021000	CHAIN OIL PUMP	1	
2	M150-1020002	NUT FLANGE M6	1	
3	M150-1020001	SPROCKET OIL PUMP DRIVEN	1	
4	M150-1003075	BOLT M6X25	2	
5	M150-1022000	OIL PUMP SUB ASSY.	1	

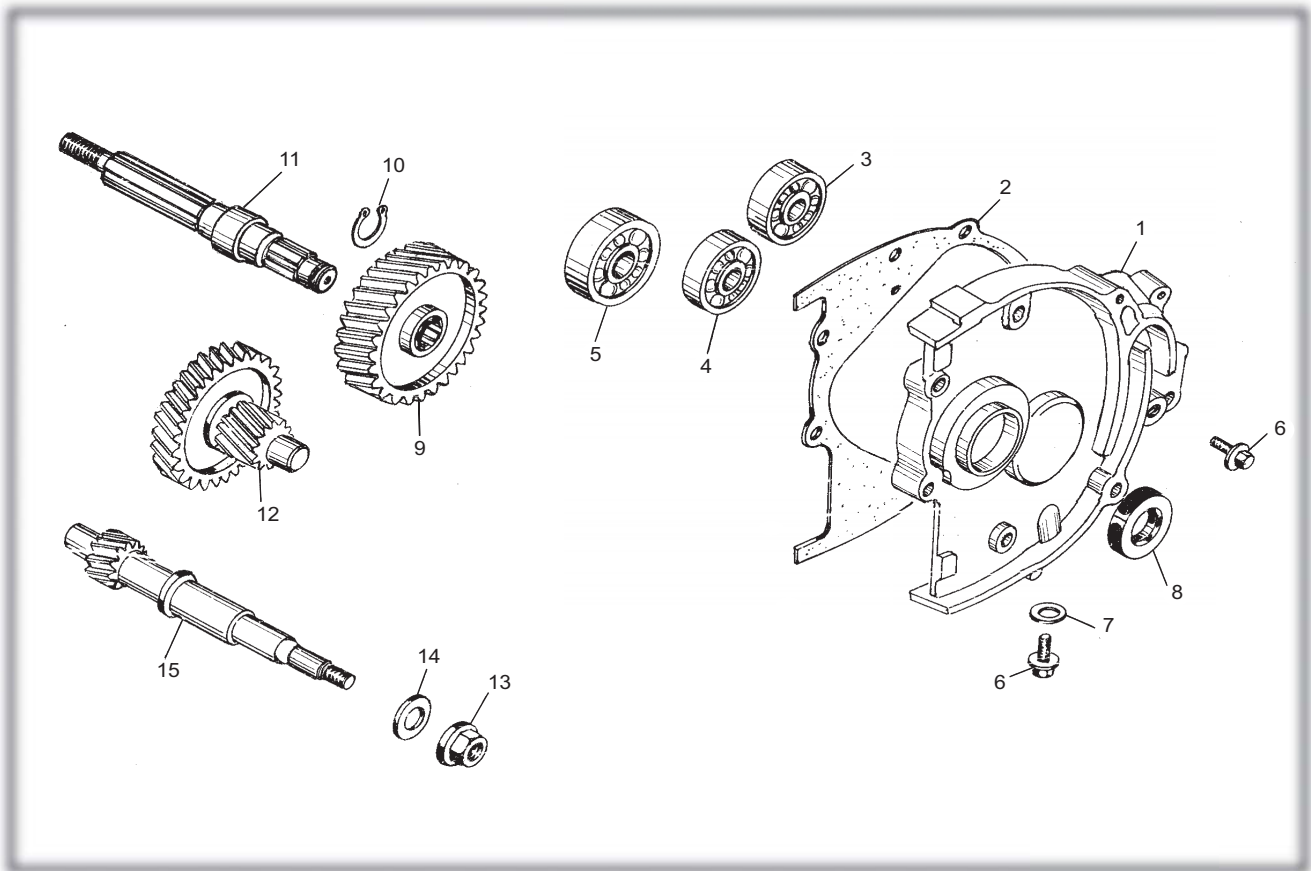
**DRIVEN PULLEY AND CLUTCH SUBASSY.**



**DRIVEN PULLEY AND CLUTCH SUBASSY.**

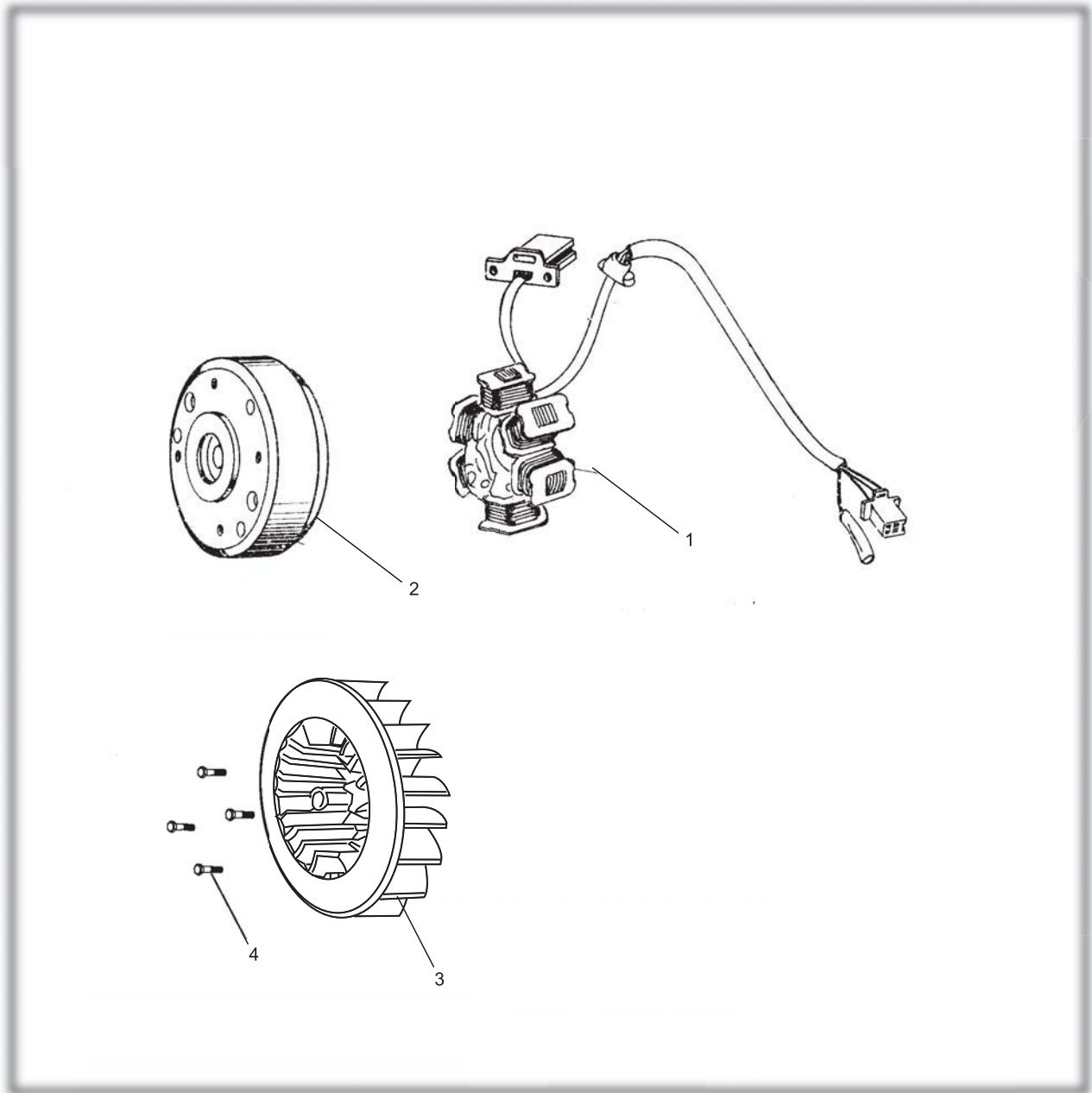
REF NO.	PART NO.	DESCRIPTION	REGD NO.	
1	M150-1032000	CLUTCH ASSY. OUTER	1	
2	M150-1033000	DRIVE BELT	1	
3	M150-1031000	DRIVEN PULLEY ASSY.	1	

## TRANSMISSION ASSY.



TRANSMISSION ASSY.				
REF NO.	PART NO.	DESCRIPTION	REGD NO.	
1	M150-1040001	TRANSMISSION COVER	1	
2	M150-1041000	TRANSMISSION COVER GASKET	1	
3	91004-E6203-KAT	RADIAL BALL BEARING E6203	1	
4	91004-E6202-KAT	RADIAL BALL BEARING E6202	1	
5	91004-E6204-KAT	RADIAL BALL BEARING E6204	1	
6	M150-1040008	SPECIAL BOLT M8X12	2	
7	M150-1040002	WASHER Φ8	1	
8	M150-1042000	OIL SEAL 20X32X6	1	
9	M150-1040004-N	FINAL GEAR (36)	1	
10	94510-20000	EXTERNAL CIRCLIP 20	1	
11	M150-1040003	FINAL SHAFT	1	
12	M150-1043000-N	COUNTER SHAFT COMP. (17)	1	
13	M150-1040007	COMPRESSOR FLANGE NUT M12	1	
14	M150-1040005	WASHER Φ12	1	
15	M150-1040006	DRIVE SHAFT	1	

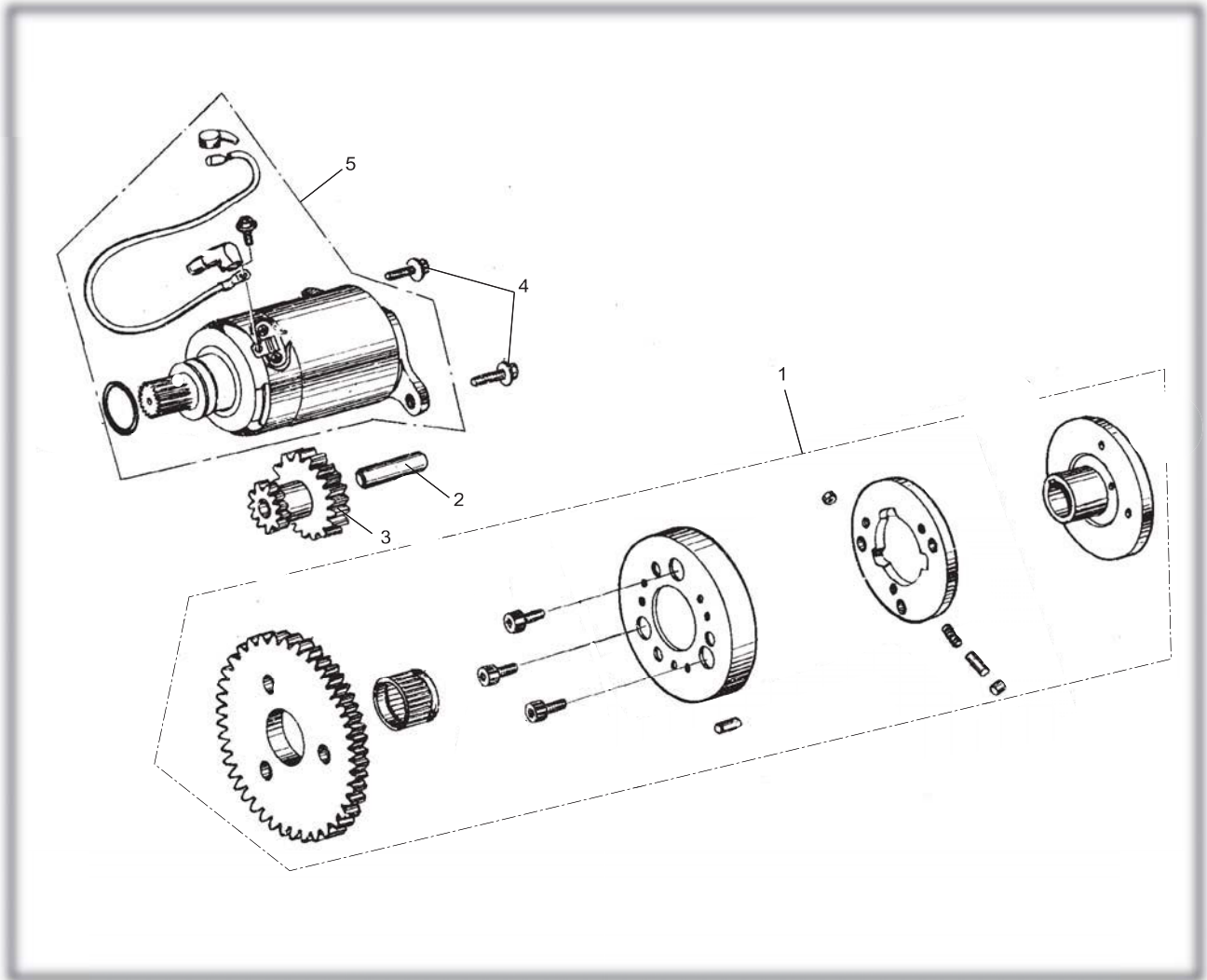
**ELECTRIC SYSTEM**



**ELECTRIC SYSTEM**

REF NO.	PART NO.	DESCRIPTION	REGD NO.	
1	M150-1051200	STATOR COMP.	1	
2	M150-1051100	FLYWHEEL COMP.	1	
3	M150-1051100-3	COOLING FAN COMP.	1	
4	M150-1051100-4	FLANGE BOLT M6x18	4	

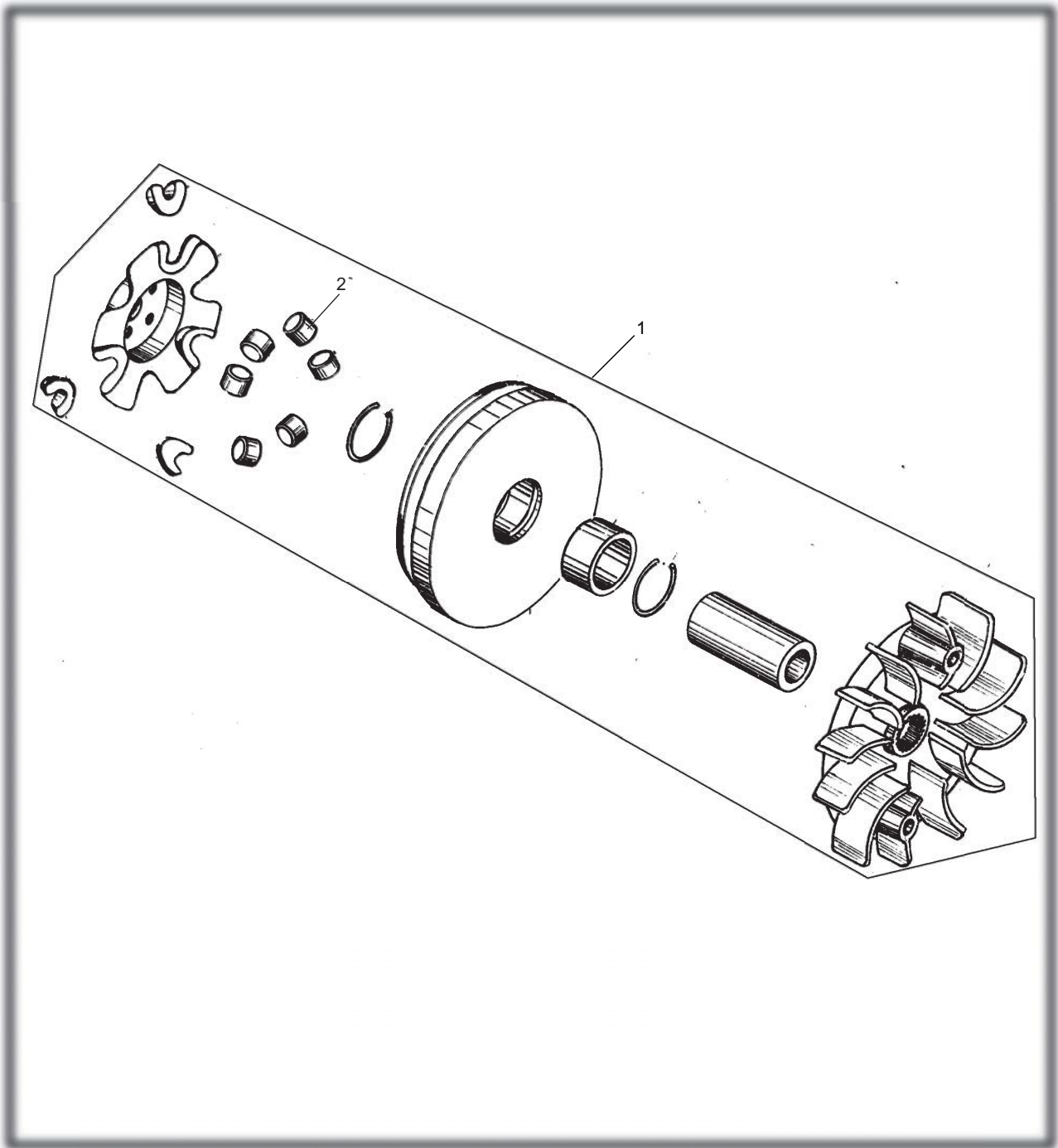
## ELECTRIC STARTER ASSY.



### ELECTRIC STARTER ASSY.

REF NO.	PART NO.	DESCRIPTION	REGD NO.	
1	M150-1060001	FLANGE STARTING CLUTCH	1	
2	M150-1060002	STARTER REDUCTION GEAR SHAFT	1	
3	M150-1060003	STARTER REDUCTION GEAR	1	
4	M150-1060005	FLANGE BOLT M6X16	2	
5	M150-1064000	STARTER MOTOR ASSY.	1	

**DRIVE PULLEY SUBASSY.**



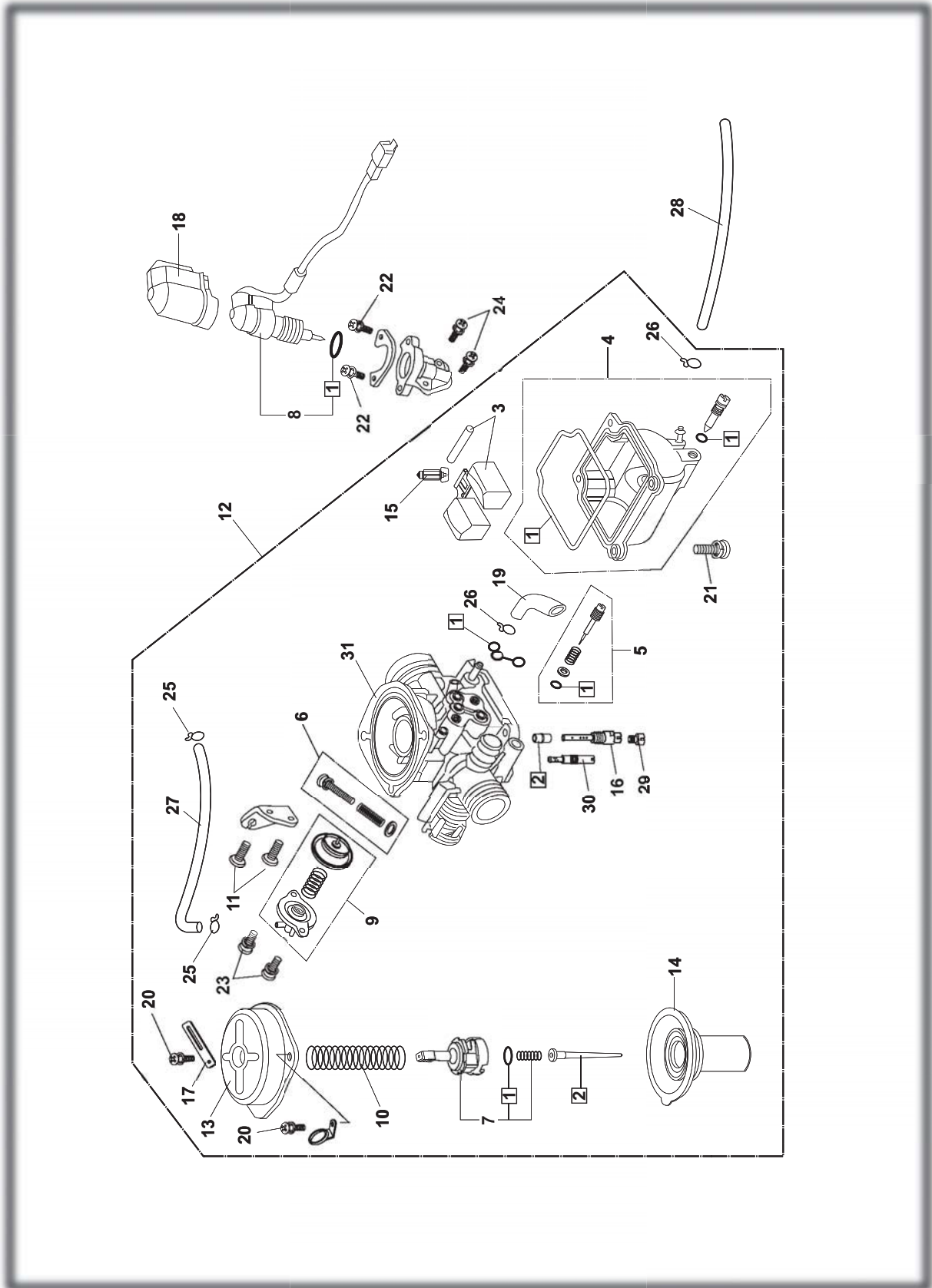
**DRIVE PULLEY SUBASSY.**

REF NO.	PART NO.	DESCRIPTION	REGD NO.	
1	M150-1071000	MOVABLE DRIVE PULLEY ASSY.	1	
2	M150-1071002	ROLLER	6	



# FIG.15

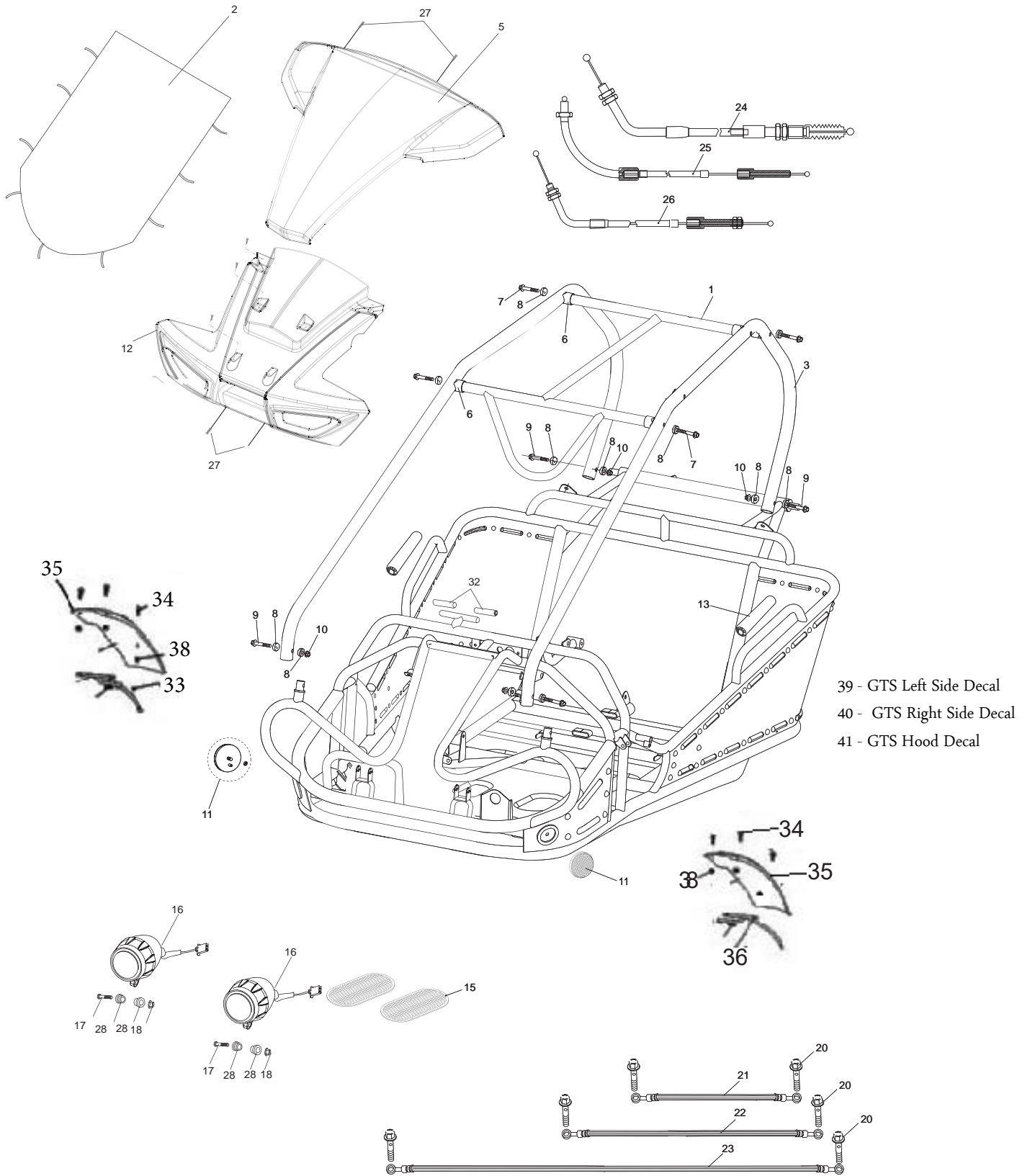
## CARBURETOR





# FIG.16

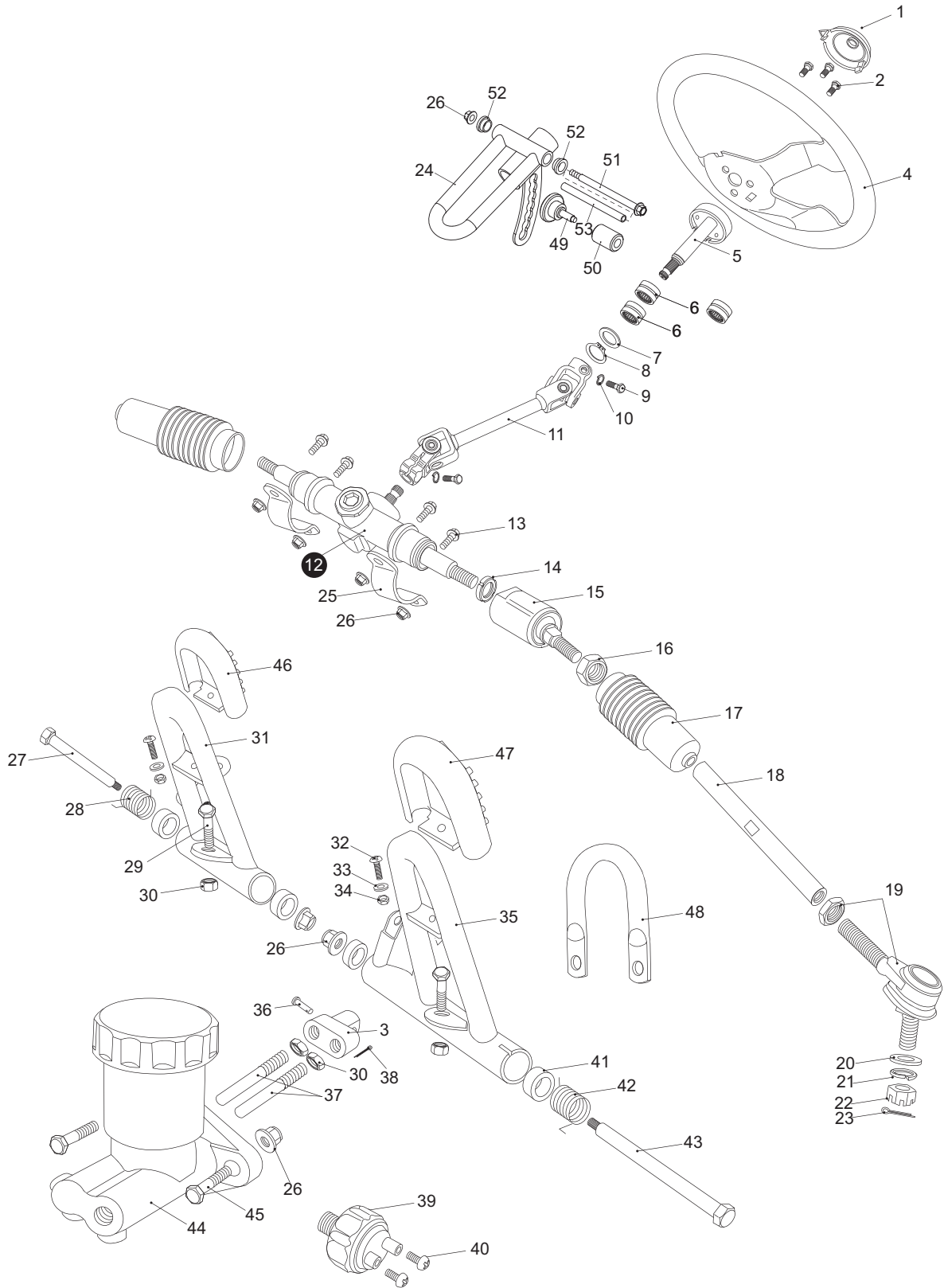
## FRAME GROUP



<b>FRAME GROUP</b>				
REF NO.	PART NO.	DESCRIPTION	REGD NO.	
1	13-0101-00-FB	C.B.C. CROSS BAR FLAT BLACK	1	
2	13-0801-00	CANOPY TOP	1	
3	13-0102-00-FB	C.B.C. BAR CAGE FLAT BLACK	2	
4			1	
5	13-0201-00-color code	FR. HOOD, UPPER (-FB, BL, RED, ORG, CM)	1	
6	7.010.017	TUBE SEAT $\Phi$ 25	8	
7	9.108.055	SOCKET BOLT M8X1.25X55	8	
8	7.010.049	R-WASHER	16	
9	9.108.050	SOCKET BOLT M8X1.25X50	4	
10	9.220.008	LOCKING FLANGE NUT M8	4	
11	6.000.144	FRONT REFLECTOR	2	
12	13-0202-03	FR. HOOD, LOWER	1	
13	6.000.083	FOAM PADDING	2	
14	003-050016-00	SCREW BOLT, M5X16	12	
15	7.020.012	RUBBER FOOT PLATE	2	
16	13-0206-00	HEADLIGHT UNIT	2	
17	9.108.050	FLANGE BOLT M8 x 1.25 x 50	2	
18	9.220.008	NUT M8	2	
19				
20	9.700.004	BANJO BOLT M10x24	6	
21	6.000.089	BRAKE HOSE ASSY. L. 34"	1	
22	6.000.090	BRAKE HOSE ASSY. R. 43"	1	
23	6.000.091	BRAKE HOSE ASSY. RR. 75"	1	
24	6.000.232	THROTTLE CABLE COMP.	1	
25	6.000.040	REVERSE CABLE COMP.	1	
26	6.000.050	PARKING BRAKE CABLE COMP.	1	
27	9.600.615	PAN SCREW, M6X12	4	
28	7.020.049	HEADLIGHT RUBBER MOUNT	4	
29				
30			1	
31			1	
32	13-0501-00	GRIP, HANDLEBAR	1	
33	6.000.102	RIGHT FRONT FENDER BRACKET (pin frame mount)	1	
34	9.106.014	FLANGE BOLT M6X14	6	
35	7.010.034-SS	FRONT FENDER	2	
36	6.000.067	LEFT FRONT FENDER BRACKET (pin frame mount)	1	
37	9.106.040	BOLT M6X40	2	
38	9.220.006	LOCKING FLANGE NUT M8	10	
39	13-1210-00L	SIDE BODY STICKER LEFT	1	
40	13-1210-00R	SIDE BODY STICKER RIGHT	1	
41	13-1208-00	HOOD DECAL	1	

# FIG.17

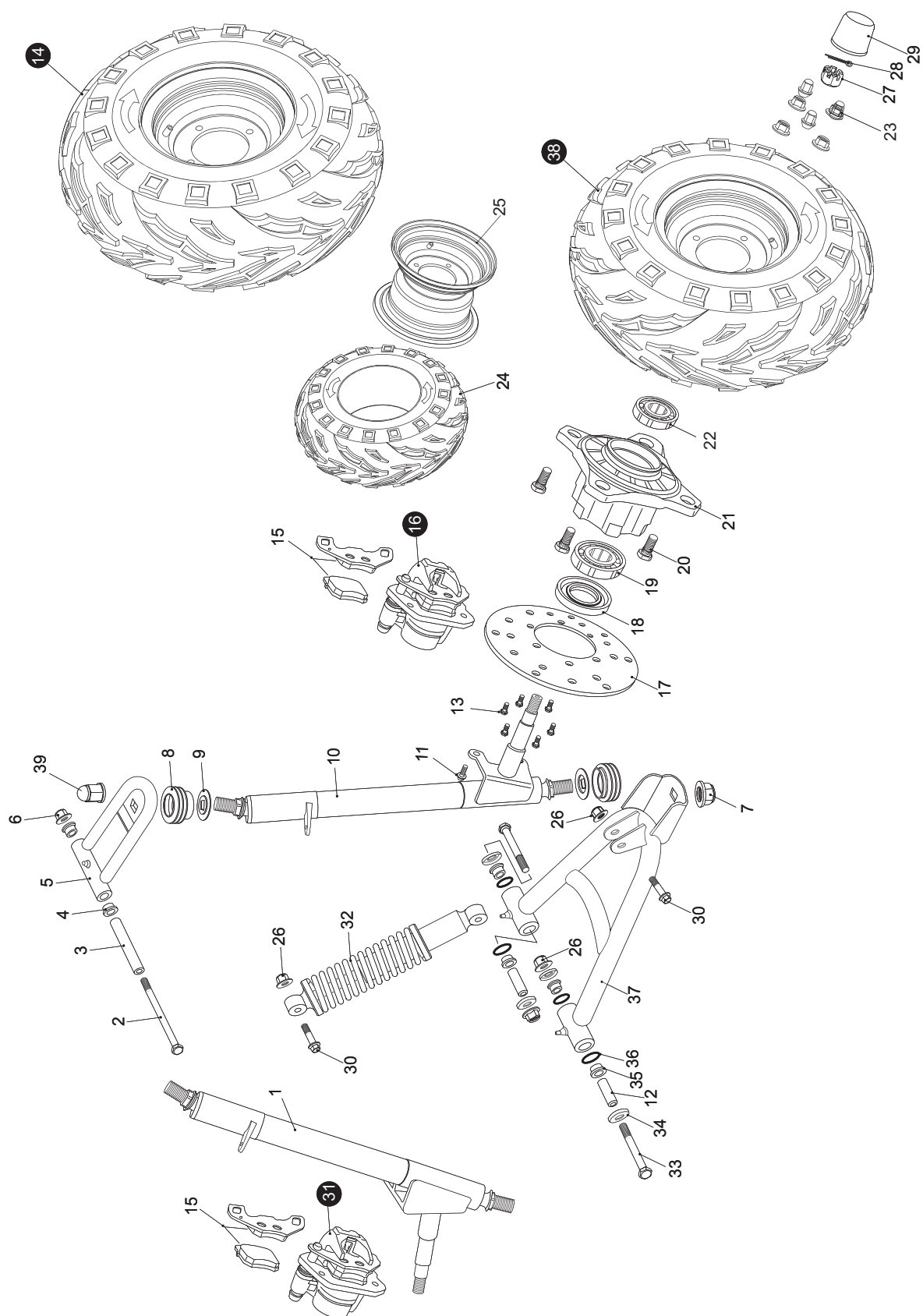
## STEERING SHAFT ASSY.



STEERING SHAFT ASSY.				
REF NO.	PART NO.	DESCRIPTION	REGD NO.	
1	7.010.041	STEERING BOLT COVER	1	
2	9.106.012	BOLT STRAP M6x12	3	
3	8.030.024	SPINDLE BRACKET	1	
4	7.020.038	STEERING WHEEL	1	
5	6.000.122	STEERING SHAFT	1	
6	9.030.012	BEARING NK20/16	2	
7	9.700.020	SPECIAL WASHER $\Phi$ 20	1	
8	9.700.120	CIRCLIP $\Phi$ 20	1	
9	9.108.025	BOLT M8x25	2	
10	9.400.008	LOCKING WASHER $\Phi$ 8	2	
11	13-1007-00	STEERING KNUCKLE	1	
12	4.000.008-250	STEERING GEAR	1	
13	9.108.025	FLANGE BOLT M8x1.25x25	4	
14	9.900.016	ROUND NUT M16x1.5	2	
15	4.000.008	STEERING BALL JOINT	2	
16	9.200.010	NUT M10	2	
17	7.020.002	BALL JOINT DUST COVER. L.	2	
18	8.010.157	TIE ROD	2	
19	6.000.062	ROD END	2	
20	9.300.010	FLAT WASHER $\Phi$ 10	2	
21	9.400.010	LOCKING WASHER $\Phi$ 10	2	
22	9.800.010	CASTLE NUT M10	2	
23	9.500.215	COTTER PIN $\Phi$ 2x15	2	
24	4.100.051-FB	TILT STEERING HOUSING FB	1	
25	8.020.014	STEERING GEAR BRACKET	2	
26	9.220.008	LOCKING FLANGE NUT. M8	8	
27	9.708.145	THROTTLE PEDAL BOLT M8x1.25x145	1	
28	8.040.001	THROTTLE PEDAL RETURN SPRING, L	1	
29	9.108.040	FLANGE BOLT M8x1.25x40	2	
30	9.200.008	NUT M8	2	
31	4.000.016	THROTTLE PEDAL COMP.	1	
32	9.600.515	PAN SCREW M5x15	2	
33	H5260067	PEDAL PAD PLATE	2	
34	9.200.005	NUT m5	2	
35	4.000.015	BRAKE PEDAL COMP	1	
36	9.700.624	PIN 6x24	1	
37	8.010.081	SPINDLE PIN	2	
38	9.500.212	COTTER PIN 2X12	1	
39	6.000.063	BRAKE LAMP SWITCH ASSY.	1	
40	9.600.306	PAN SCREW M3x6	2	
41	7.010.004	PEDAL BUSH	4	
42	8.040.007	BRAKE PEDAL RETURN SPRING, R	1	
43	9.708.222	BRAKE PEDAL BOLT M8x1.25x222	1	
44	6.000.076	MASTER CYLINDER	1	
45	9.108.035	BOLT-WASHER M8x1.25x35	2	
46	7.020.036	THROTTLE PEDAL PAD	1	
47	7.020.037	BRAKER PEDAL PAD	1	
48	8.070.044	MASTER CYLINDER BRACKET	2	
49	8.010.220	ADJUSTING NOB	1	
50	8.010.221	ADJUSTING NOB BLOCK	1	
51	9.108.110	TILT STEERING BOLT	1	
52	7.010.003	TILT STEERING LOCKING BUSH	2	
53	8.010.222	COLLAR	1	

# FIG.18

## SUSPENSION ARM ASSY.



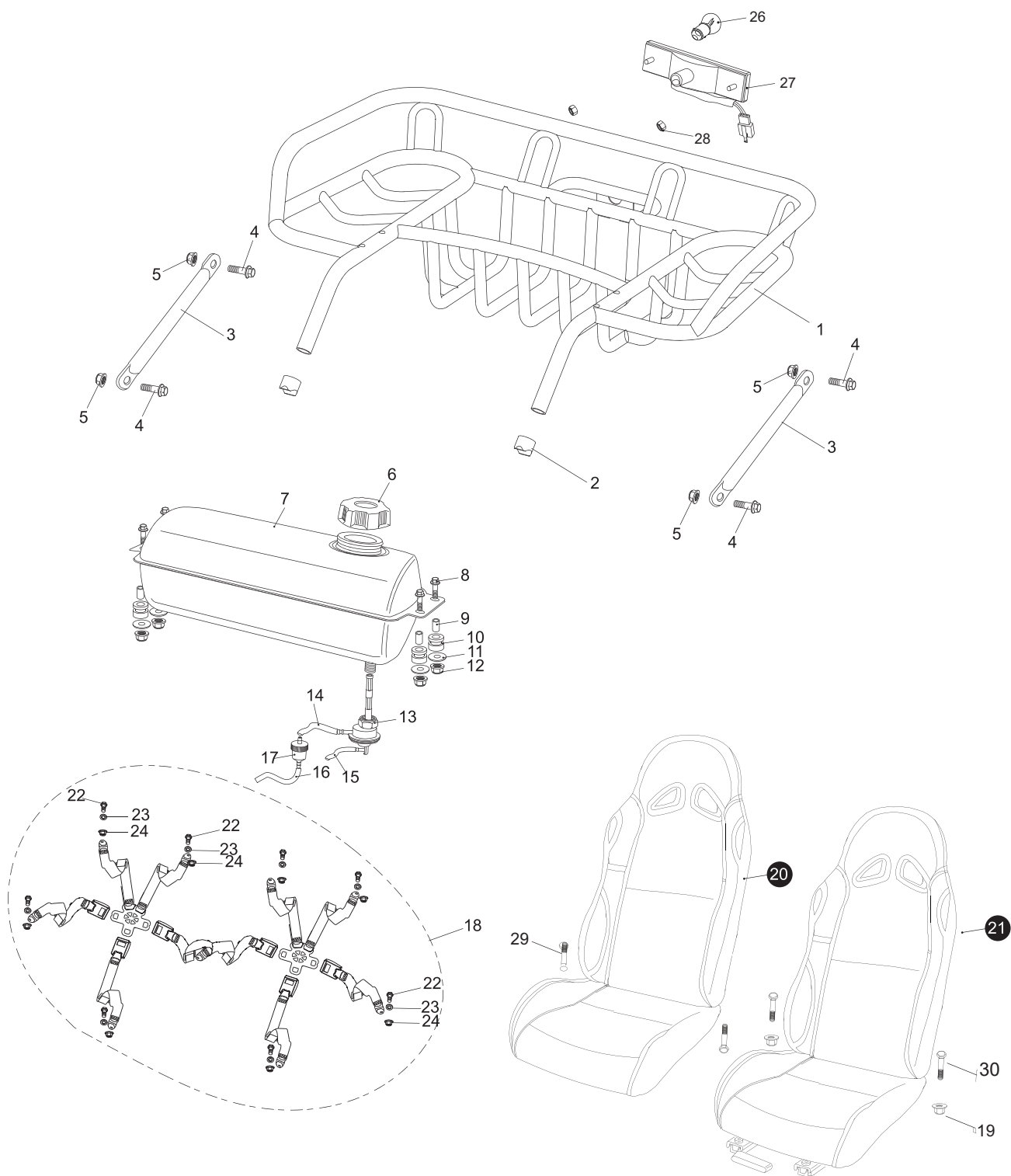


## SUSPENSION ARM ASSY.

REF NO.	PART NO.	DESCRIPTION	REGD NO.	
1	2.000.028-GTS	STRUT AND SPINDLE SUPPORT, RIGHT	1	
2	9.108.105	FLANGE BOLT M8x1.25x105	2	
3	8.010.015	UPPER SUSPENSION ARM COLLAR	2	
4	7.010.003	UPPER SUSPENSION ARM BUSHING	4	
5	4.000.004-SLV	UPPER SUSPENSION ARM	2	
6	9.220.008	LOCKING FLANGE NUT. M8	2	
7	7.010.140	LOCKING FLANGE NUT. M12	4	
8	7.020.025	BALL HEAD DUST SEAL	4	
9	8.020.053	BALL HEAD SPACER	4	
10	2.000.027-GTS	STRUT AND SPINDLE SUPPORT, LEFT	1	
11	9.908.014	BOLT STRAP M8x14	4	
12	8.010.014	LOWER SUSPENSION ARM COLLAR	4	
13	H7510035	BOLT STRAP M6x12	12	
14	13-0903-00	RIGHT FRONT TIRE/WHEEL ASSEMBLY	1	
15	7.020.016	FRONT BRAKE PAD SET	2	
16	6.000.028	LEFT FRONT BRAKE CALIPER W/PADS	1	
17	8.010.054	FRONT DISC BRAKE	2	
18	9.040.002	DUST SEAL 47x25-7	2	
19	9.030.002	BEARING 6204-Z	2	
20	9.710.031	TIRE BOLT M10x1.25x31	8	
21	8.010.085B	FRONT WHEEL HUB BLACK	2	
22	9.030.010	BEARING 6202-Z	2	
23	9.220.010	LOCKING FLANGE NUT M10	8	
24	7.020.033	FRONT TIRE 19x7-8	2	
25	002-100080-03	8" FRONT STEEL WHEEL BLACK	2	
26	9.220.010	LOCKING FLANGE NUT M10	16	
27	9.800.014	CASTLE NUT M14	2	
28	9.500.220	COTTER PIN $\Phi$ 2x20	2	
29	7.020.039	FR. HUB COVER.	2	
30	9.110.040	FLANGE BOLT M10x1.25x40	4	
31	6.000.095	RIGHT FRONT BRAKE CALIPER W/PADS	1	
32	6.000.325	CUSHION ASSY. FR L=325	2	
33	9.110.080	FLANGE BOLT M10x1.25x80	4	
34	8.020.034	LOWER SUSPENSION ARM DUST CAP	8	
35	7.010.002	LOWER SUSPENSION ARM BUSHING	8	
36	9.040.001	O-RING $\Phi$ 21.2x2.65	8	
37	4.000.023-SLV	LOWER SUSPENSION ARM ASSY.	2	
38	13-0901-00	LEFT FRONT TIRE/WHEEL ASSEMBLY	1	
39	8.010.140	ACORN NUT M12	2	

# FIG.19

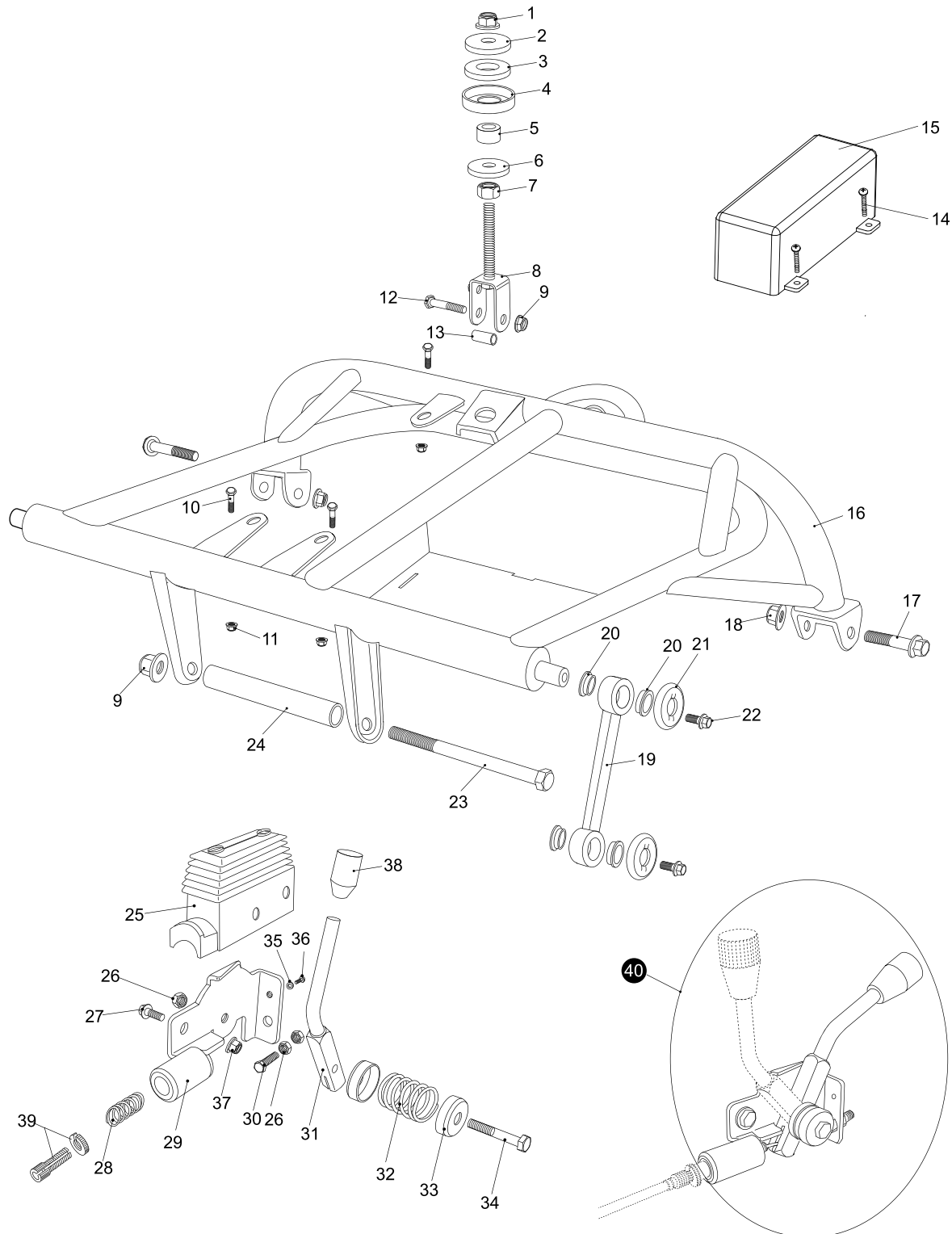
## REAR CARGO RACK/SEAT/BELT



<b>REAR CARGO RACK/SEAT/BELT</b>				
<b>REF NO.</b>	<b>PART NO.</b>	<b>DESCRIPTION</b>	<b>REGD NO.</b>	
1	2.000.061-FB	REAR CARGO RACK FLAT BLACK	1	
2	7.010.017	TUBE SEAT $\Phi$ 25	2	
3	8.080.051-FB	RACK SUPPORT ARM FLAT BLACK	1	
4	9.108.020	FLANGE BOLT M8X1.25X20	4	
5	9.220.008	LOCKING FLANGE NUT. M8	4	
6	6.000.145	FUEL TANK CAP COMP.	1	
7	99-1300	FUEL TANK KIT W/BRACKET	1	
8	9.106.065	FLANGE BOLT M8X1.25X50	4	
9	8.010.035	TANK COLLAR.	4	
10	7.020.011	RUBBER MOUNT	4	
11	9.300.008	FLAT WASHER $\Phi$ 8	4	
12	9.220.006	NYLON LOCKING FLANGE NUT M8	6	
13	6.000.046	AUTO FUEL COCK ASSY.	1	
14	7.020.030	FUEL TUBE COMP. #1	1	
15	7.020.031	VACUUM TUBE COMP.	1	
16	7.020.029	VACUUM TUBE COMP. #2	1	
17	6.000.056	FILTER	1	
18	6.000.354	SAFETY BELT COMP.	1	
19	9.220.008	NUT M8	2	
20	13-0401-00R	SEAT COMP (PASSENGER)	1	
21	13-0401-00L	SEAT COMP (DRIVER)	1	
22	9.700.001	SPECIAL BOLT, M7/16"x28	1	
23	9.700.002	WASHER BELT $\Phi$ 12	9	
24	9.700.003	BELT NUT M7/16"	9	
25	6.000.379	SEAT RALL SET.	1	
26	9.090.002	TAIL LIGHT BULB. 21W/5W 12V	1	
27	6.000.010	TAIL LIGHT	1	
28	9.200.005	LOCKING NYLON NUT, M5	2	
29	9.108.040	BOLT M8X1.25X40	2	
30	9.900.840	SEAT RAIL BOLT M8X1.25X40	2	

# FIG.20

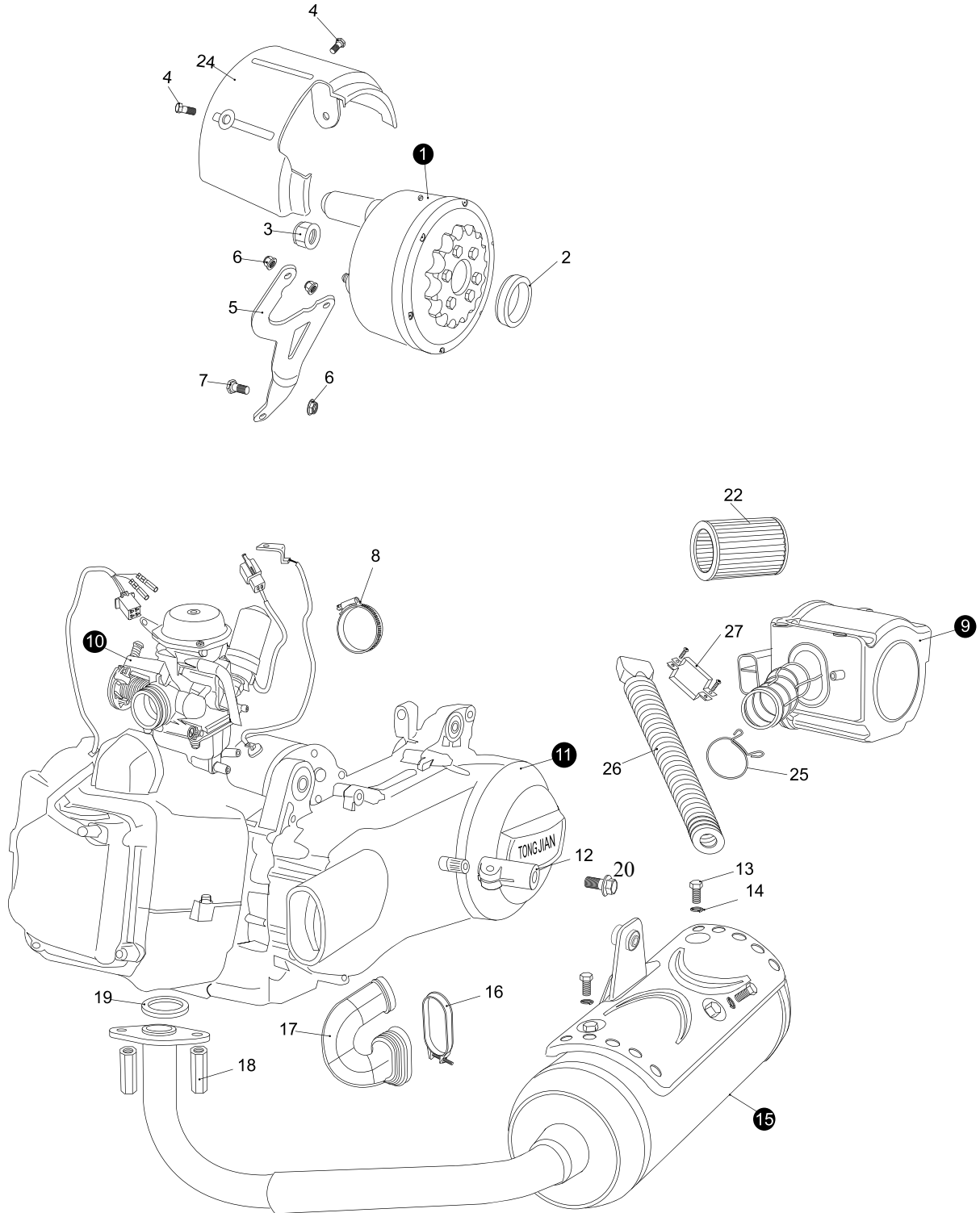
## REAR SWING ARM ASSY. UPPER





# FIG.21

## ENGINE/MUFFLER/AIR CLEANER

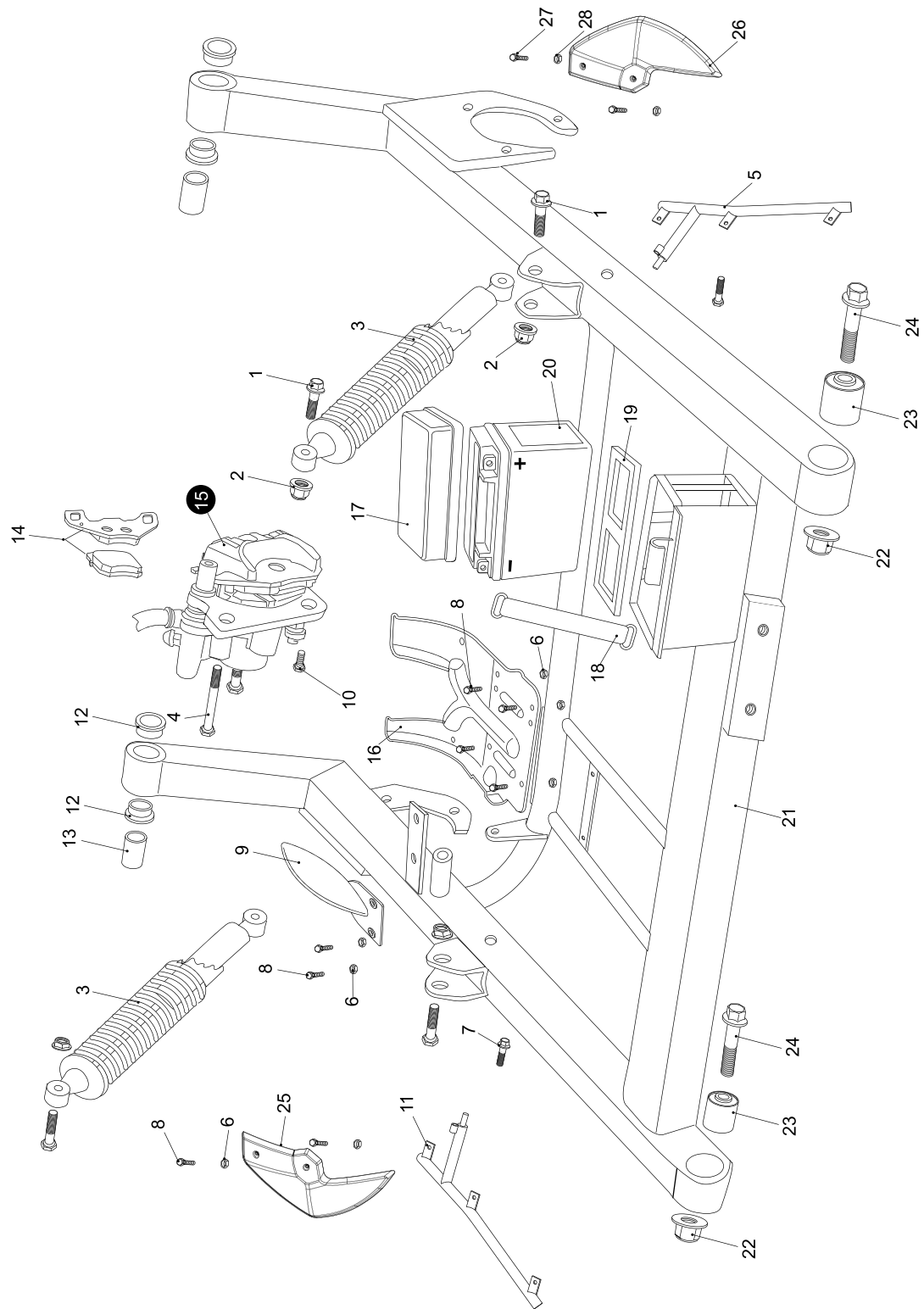


<b>ENGINE/MUFFLER/AIR CLEANER</b>				
<b>REF NO.</b>	<b>PART NO.</b>	<b>DESCRIPTION</b>	<b>REGD NO.</b>	
1	6.000.157	REVERSE ASSY.	1	
2	8.010.122	INTERNAL COLLAR REVERSE	1	
3	9.220.016	LOCKING FLANGE NUT M16	1	
4	9.106.012	FLANGE BOLT M6X12	2	
5	8.020.173	REVERSE BRACKET	1	
6	9.220.008	LOCKING FLANGE NUT M8	3	
7	9.108.040	BOLT STRAP, M8X1.25X40	1	
8	8.020.056	AIR CLEANER CLAMP	1	
9	4.000.055	AIR CLEANER ASSY.	1	
10	6.000.024	CARBURETOR W/ELECTRIC CHOKE	1	
11	N.L.A.	EXTERNAL REVERSE 150CC ENGINE	1	
12	8.030.037	MUFFLER RACK SUPPORT (m10 threads)	1	
13	9.106.012	BOLT, M6X12	3	
14	9.400.006	LOCKING WASHER $\phi 6$	3	
15	6.000.074	MUFFLER COMP. EX	1	
16	8.020.055	BOOT CLAMP	1	
17	6.100.162	SIDE CASE BOOT	1	
18	9.040.027	MUFFLER JOINT NUT, M6	2	
19	M150-3050354	EX. PIPE GASKET	1	
20	9.110.020	Flange Bolt m10x20	1	
21			4	
22	6.000.151	AIR CLEANER ELEMENT	1	
23			1	
24	7.010.033	CHAIN PROTECTOR, RR.	1	
25	8.040.013	AIR CLEANER CLIP	1	
26	N.L.A.	AIR CLEANER DUCT	1	
27	N.L.A.	AIR CLEANER CLAMP	1	
28	9.108.040	FLANGE BOLT, M8X1.25X40	1	



# FIG.22

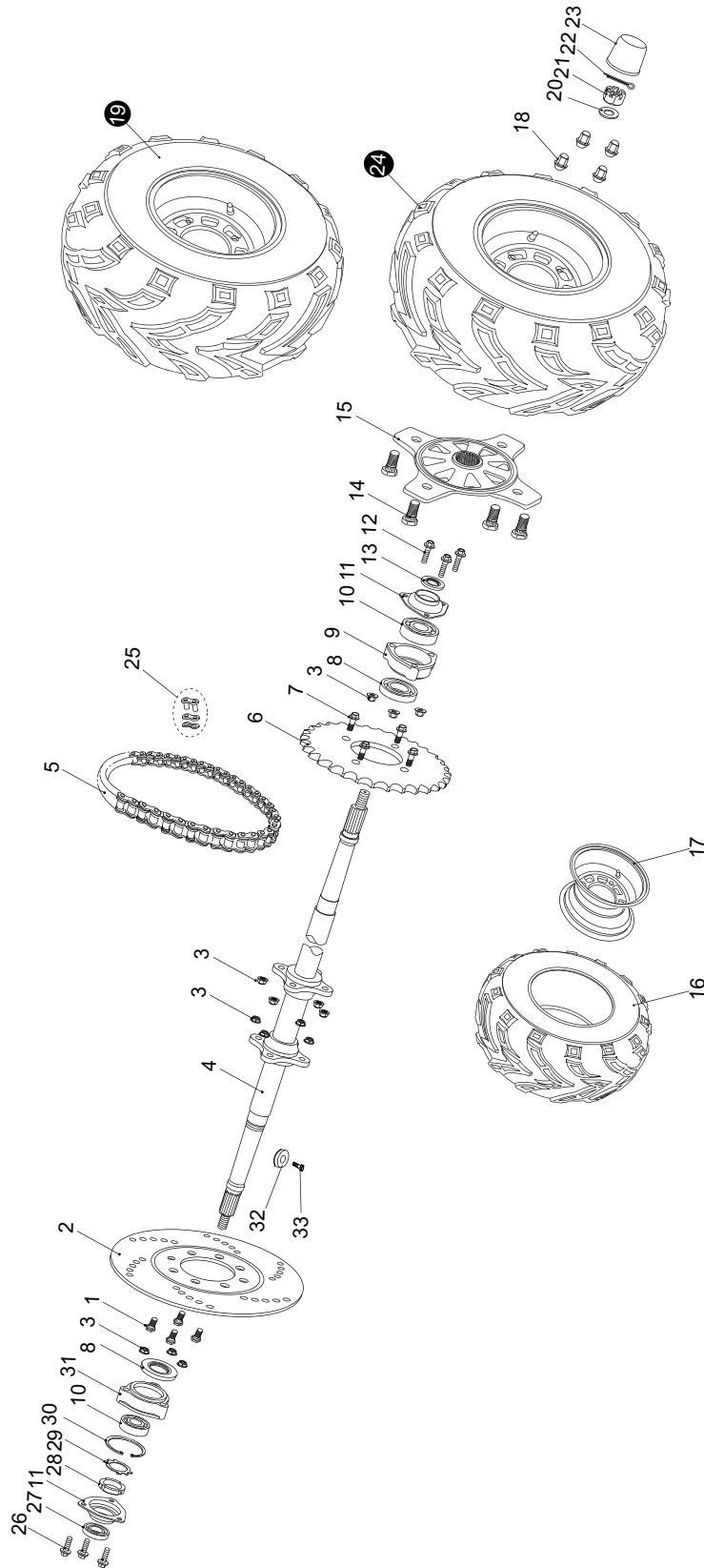
## REAR SWING ARM



<b>REAR SWING ARM</b>				
<b>REF NO.</b>	<b>PART NO.</b>	<b>DESCRIPTION</b>	<b>REGD NO.</b>	
1	9.110.040	FLANGE BOLT M10x1.25x40	4	
2	9.220.010	LOCKING FLANGE NUT M10	4	
3	6.000.006	CUSHION ASSY. RR	2	
4	9.908.100	BOLT STRAP M8x1.25x100	1	
5	13-0601-00L	LEFT REAR FENDER BRACKET (PIN MOUNT)	1	
6	9.220.006	LOCKING NYLON NUT M6	12	
7	9.108.045	FLANGE BOLT M8x1.25x45	2	
8	9.106.016	FLANGE BOLT M6x16	12	
9	7.010.031	DISC. RR COVER	1	
10	9.908.012	ALLEN HEAD BOLT M8x1.25x12	1	
11	13-0601-00R	RIGHT REAR FENDER BRACKET (PIN MOUNT)	1	
12	7.010.006	SWING ARM BUSHING	4	
13	8.010.028	SWING ARM COLLAR	2	
14	7.020.022	REAR BRAKE PAD SET	1	
15	6.000.229	REAR BRAKE CALIPER W/PADS	1	
16	7.010.032	CHAIN DISC GUARD	1	
17	7.010.028	BATTERY COVER	1	
18	7.020.023	BATTERY BAND	1	
19	7.020.020	BATTERY LOWER CUSHION	1	
20	6.000.085	BATTERY (YTX12-BS)	1	
21	2.000.042	RR. LOWER SWING ARM COMP.	1	
22	9.220.012	LOCKING FLANGE NUT M12	2	
23	7.020.008	SWING ARM CUSHION BUSHING	2	
24	9.112.060	FLANGE BOLT M12x1.25x60	2	
25	13-0204-00R-color code	RR. FENDER, RH (-FB, BL, RED, ORG, CM)	1	
26	13-0204-00L-color code	RR. FENDER, LH (-FB, BL, RED, ORG, CM)	1	
27	9.106.016	BOLT, M6X16	2	
28	9.220.006	NUT, M6	2	

# FIG.23

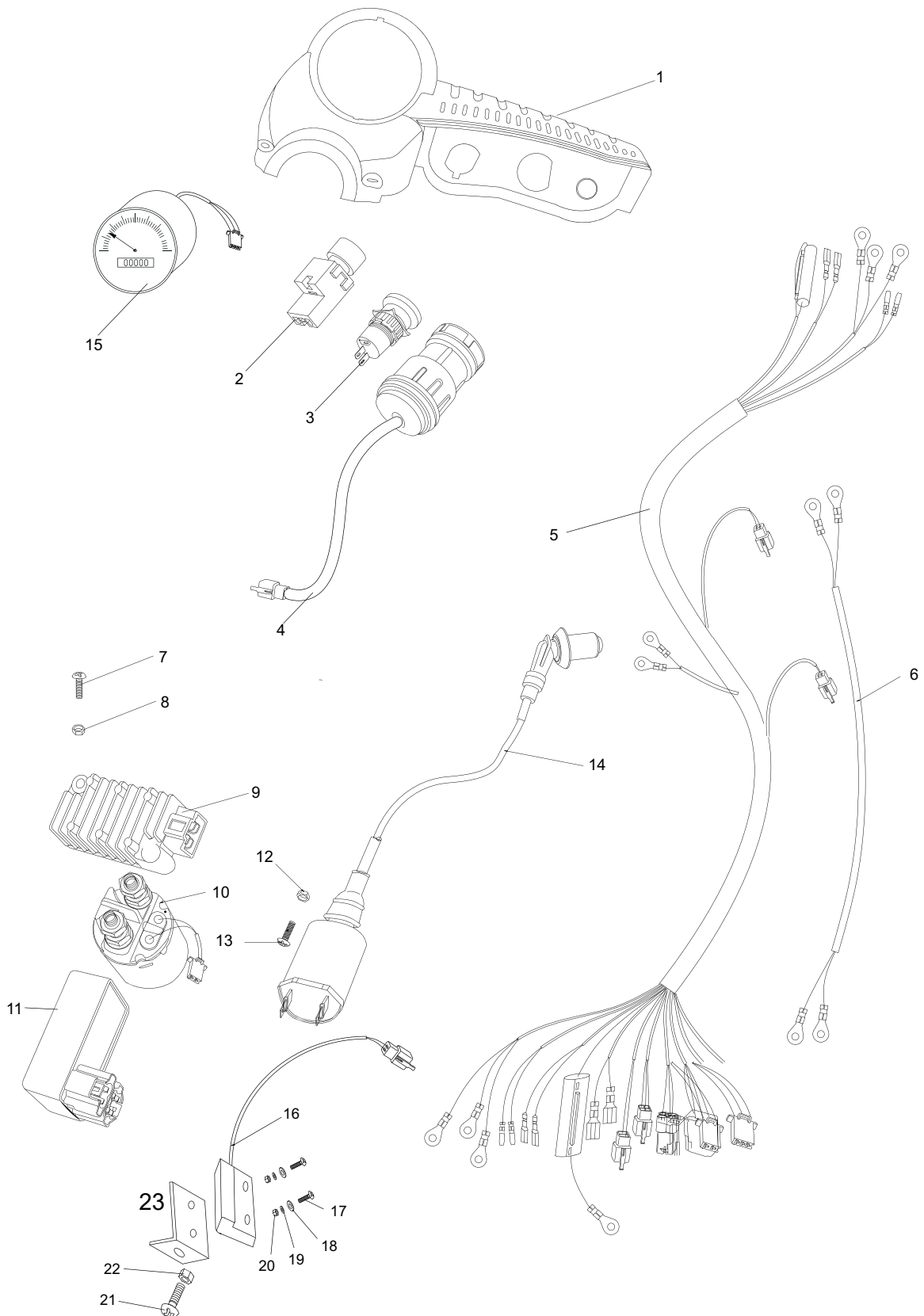
## REAR HOUSING



REAR HOUSING				
REF NO.	PART NO.	DESCRIPTION	REGD NO.	
1	9.108.022	BOLT-WASHER M8x1.25x22	4	
2	8.010.053	DISC. RR. BRAKE	1	
3	9.220.008	LOCK FLANGE NUT. M8	14	
4	8.010.057B	REAR AXLE	1	
5	9.070.002	CHAIN O-RING DRIVE.	1	
6	13-1110-00	REAR SPROCKET 39T	1	
7	9.108.027	BOLT-WASHER M8x1.25x27	4	
8	9.040.006	DUST SEAL 50X34-7	2	
9	8.030.008	COMP. HOUSING RR. AXLE BRG	2	
10	9.030.006	BEARING 6206	2	
11	8.020.028	BEARING BASE	2	
12	9.108.040	BOLT-WASHER M8x1.25x40	6	
13	9.040.007	DUST SEAL 42X30-7	2	
14	9.710.031	BOLT. TIRE M10x1.25x31	8	
15	8.010.089B	REAR WHEEL HUB BLACK	2	
16	7.020.035	REAR TIRE 21x10-10	2	
17	002-100100-03	10" REAR STEEL WHEEL BLACK	2	
18	9.220.010	LUG NUT M10	8	
19	13-0904-00	RIGHT REAR TIRE/WHEEL ASSEMBLY	1	
20	9.700.016	SPACER. RR. WHEEL 16	2	
21	9.800.016	CASTLE NUT. M16	2	
22	9.500.430	COTTER PIN. 4X30	2	
23	7.020.039	COVER. RR. HUB	2	
24	13-0902-00	LEFT REAR TIRE/WHEEL ASSEMBLY	1	
25	6.000.149	MASTER LINK. CHAIN	1	
26	9.108.045	FLANGE BOLT M8X1.25X45	3	
27	9.040.008	DUST SEAL 42X28-7	1	
28	9.900.030	ROUND NUT M30X1.5	1	
29	8.020.181	KEEPER	1	
30	9.700.300	CIRCLIP $\Phi$ 62	1	
31	8.030.033	AXLE BRG HOUSING COMP.RR	1	
32	7.050.001	MAGNETIC CONTACT	1	
33	9.600.308	EYE BOLT, M3X6	1	

# FIG.24

## WIRE HARNESS/ELECTRICAL





# FIG.25

## REVERSE ASSY.

